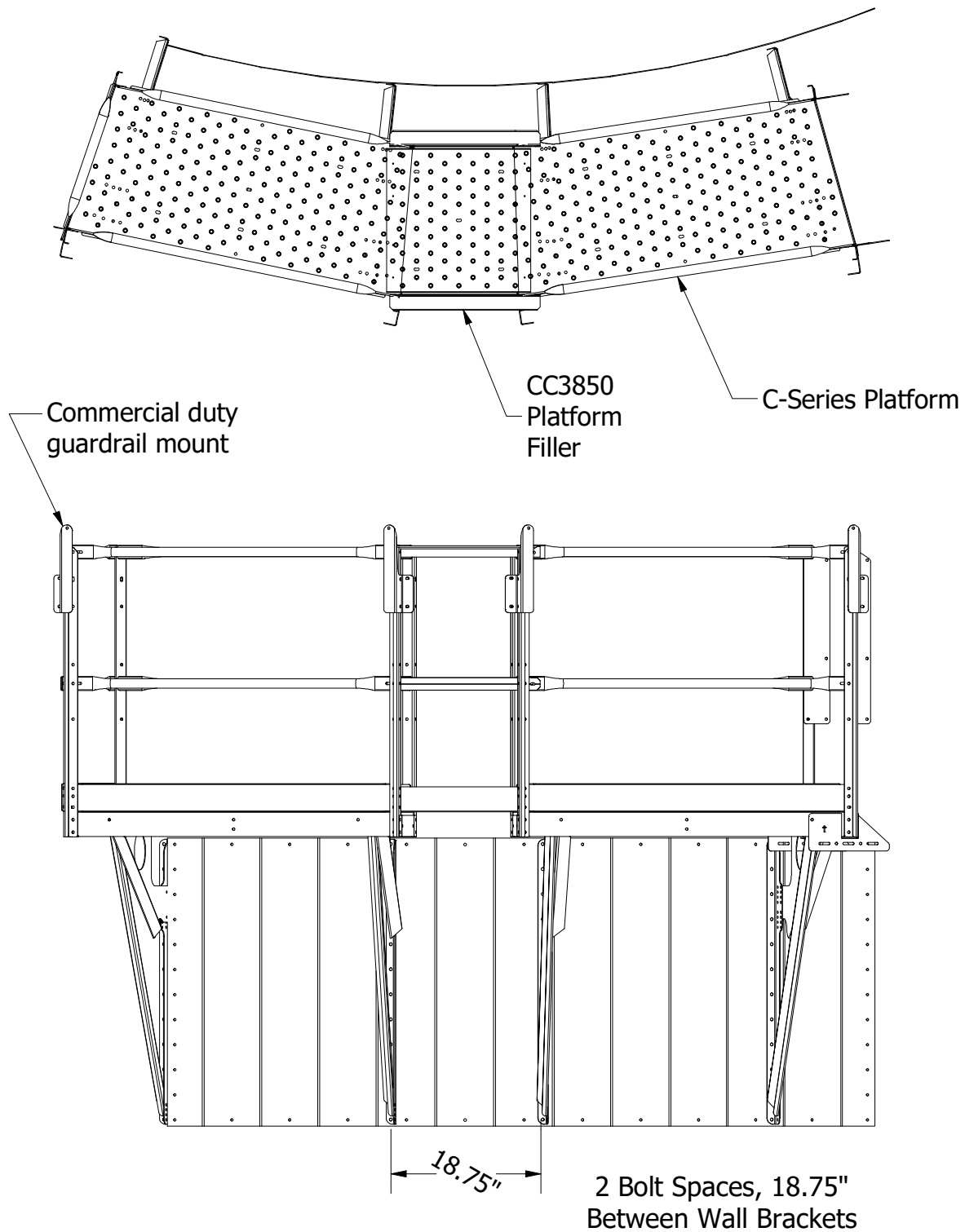


CC3850 C-Series Platform Filler

Use the CC3850 platform filler to fill in the space between two platforms at the same elevation.

The wall brackets of the adjacent platforms must be **2** standard bolt spaces, or **18.75"** apart.

The filler and railings may be field cut to length according to the bin diameter and gap to fill.



CC3850 C-Series Platform Filler

PARTS LIST, CC3850			
ITEM	QTY	PART NUMBER	DESCRIPTION
1	1	CS-38050	Platform Filler
2	2	CS-38051	Filler Handrail
3	2	CS-38052	Filler Intermediate Rail

