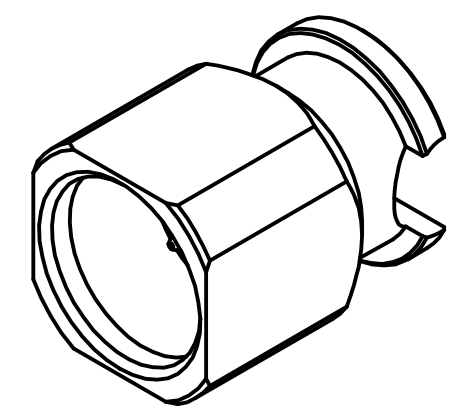
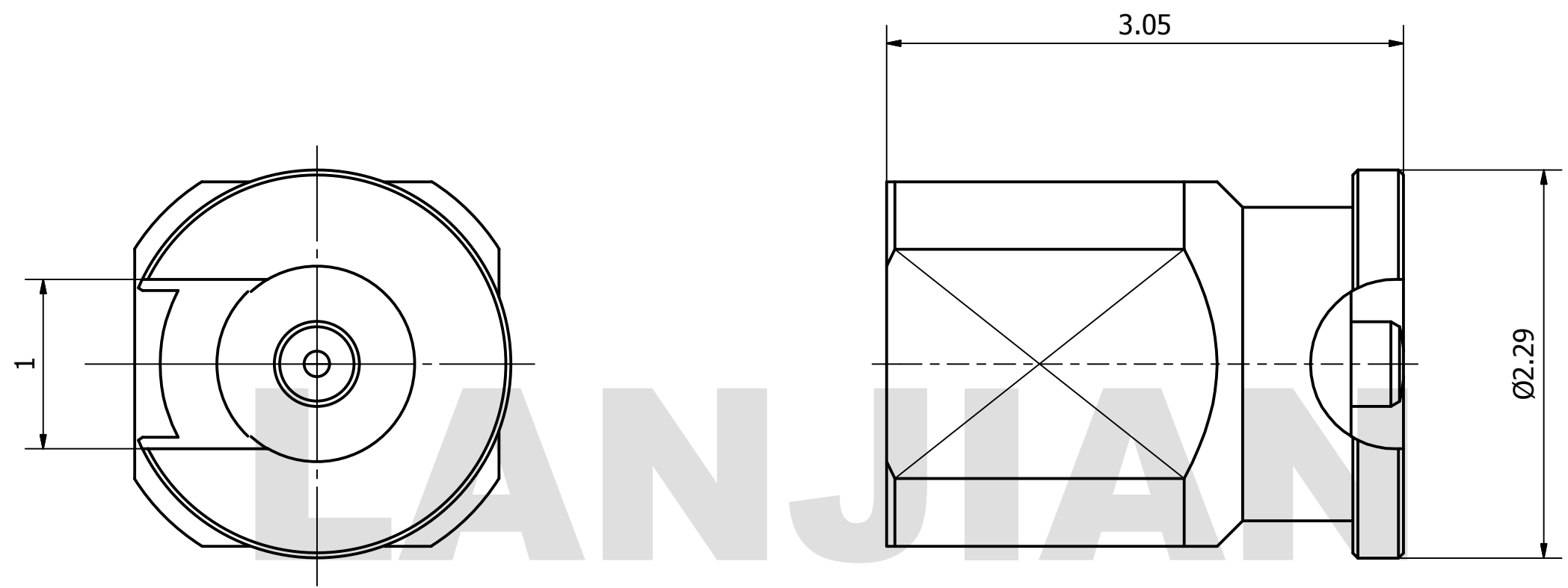


PRODUCT DATA SHEET



MATERIAL:
BODY: BERYLLIUM COPPER PER ASTM B196.
 ALLOY NO. UNS C17300
CONTACT: BERYLLIUM COPPER PER ASTM B196.
 ALLOY NO. UNS C17300
INSULATOR: PTFE

THIS DOCUMENT CONTAINS CONFIDENTIAL AND PROPRIETARY INFORMATION THAT CANNOT BE REPRODUCED OR DIVULGED, IN WHOLE OR IN PART, WITHOUT WRITTEN AUTHORIZATION FROM "LANJIAN ELECTRONICS"	MATERIAL :			LANJIAN ELECTRONICS		
	UNLESS OTHERWISE SPECIFIED: DIMENSIONS IN MM					
	TOLERANCES :			38 Hengtong Road, Xinqu Dingmao Zhenjiang, 212009, Jiangsu, P. R. China		
	X.X	± 0.20	ANGULAR : ± 1°		DEBURR AND BREAK SHARP EDGES	
	X.XX	± 0.10	FILLETS R/C : ± 0.10			
	X.XXX	± 0.01	SURFACE FINISH : Ra 1.6			
	NAME	DATE	SIGNATURE	SMPS MALE SURFACE MOUNT		
DRAWN	YaoJiang	11/19/2018				
CHK'D	HongZhongYan	11/19/2018				
APPV'D	HongZhongYan	11/19/2018				
MFG				DWG No.	REV.	
PROJECTION			SIZE	SCALE	LJE-DVP.20180720.ASMB-SB	A
			A3	30 : 1	DO NOT SCALE THE DRAWING	PAGE 1 / 1