

# SKYTECH

## Model: F-180-1 Fan

### INSTALLATION AND OPERATION INSTRUCTIONS

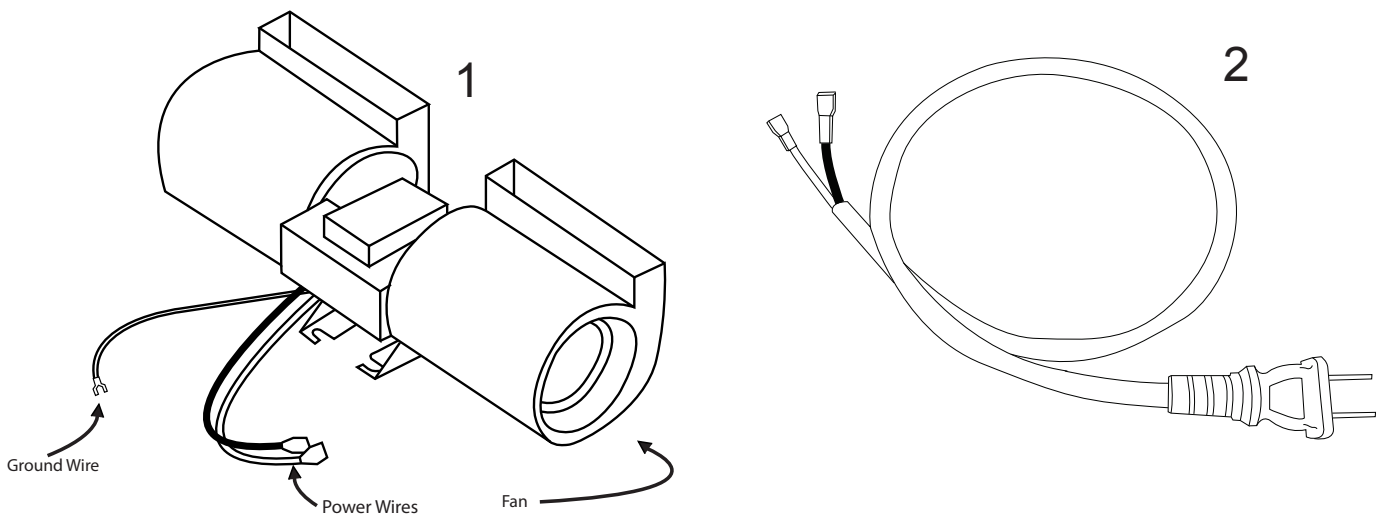
IF YOU CANNOT READ OR UNDERSTAND THESE INSTALLATION INSTRUCTIONS  
DO NOT ATTEMPT TO INSTALL OR OPERATE

#### INTRODUCTION

The F180-1 fan is designed to circulate room air through many hearth products in the industry. The F180-1 operates on 120VAC, 60Hz power. The fan dimensions are 12-3/4" W x 4-3/8" H x 4-5/16" D. **NOTE:** Power must be provided through an approved factory installed junction box from the hearth product's manufacturer.

#### CONTENTS:

1. F-180-1 Fan (with two leads, ground & magnetic feet)
2. ACM24 (24-inch polarized cord)



#### INSTALLATION PRECAUTIONS

Please read all the instructions before proceeding with installation.

**CAUTION:** a qualified electrician should complete all wiring. Install following all local codes and in compliance with the National Electric Code ANSI/AFPA NO. 70 or CSA C22.1 for all of North America.

#### INSTALLATION

**WARNING:** Turn electrical power OFF at the circuit breaker before beginning installation.

1. Unplug the old fan system and remove it from the appliance.
2. If necessary Secure (attach) the ACM24 wires to the F180-1 fan by matching colors, black to black and white to white.
3. Install the new F-180-1 fan in the rear of the appliance where the previous fan was installed.
4. Pull the fan housing slightly away from the metal back wall (1/8" to 1/4") of the appliance. The magnetic feet will hold the housing in place. (See Fig. 1)
5. Attach the F-180-1 fan ground (green) wire to an accessible ground source.
6. Attach fan to existing control or power source.

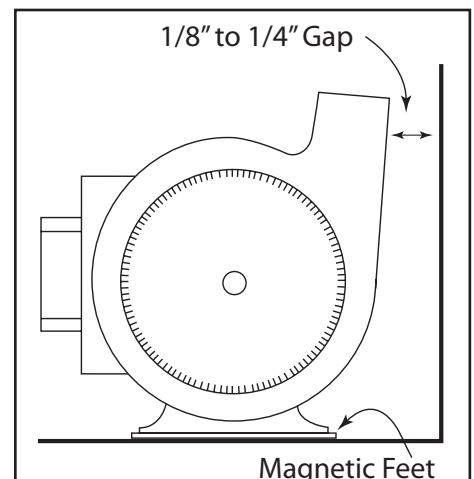


Fig. 1 Side View

## **MAINTENANCE**

Cleaning on a semi-annual basis is required to keep the warranty in place. Dust or dirt must be removed from the fan blades, air inlets and blower outlet for the fan kit to maintain the efficiency of the system. Carefully use a vacuum with a brush to remove any dust. If unable to reach fan with a vacuum remove the fan from the appliance for easier cleaning.

## **TWO YEAR LIMITED WARRANTY**

SKYTECH II warrants this fan system for two years or 24 months from the date of purchase to the original owner. This warranty is NOT transferable to another person. Should any part fail because of defective workmanship or material from the original date of purchase SKYTECH II will repair or replace the part at SKYTECH II option.

Damage to the Fan system caused by accident, misuse, abuse, or installation error, whether by a contractor, service company, or owner is not covered by this warranty. Modification of the Fan System will void the warranty.

The owner must provide a bill of sale, to verify purchase date and establish warranty period. SKYTECH II is not responsible for: Travel expenses, Diagnostic costs, and Service labor to repair the defective Fan system. Freight charges will not be covered on warranty parts or Fan systems.

This warranty does not cover claims, which do not involve defective workmanship or materials.

IN NO EVENT SHALL SKYTECH II BE LIABLE FOR INCIDENTAL AND CONSEQUENTIAL OCCURRENCES, INCLUDING THE IMPLIED WARRANTIES OR MERCHANTABILITY AND FITNESS, ARE LIMITED TO THE DURATION OF THE THIS WRITTEN WARRANTY. THIS WARRANTY SUPERSEDES ALL OTHER ORAL OR WRITTEN WARRANTIES.

Some states do not allow the exclusion or limitation of incidental and consequential damages or limitation on how long an implied warranty lasts, so the above limitation may not apply to you. This warranty gives you specific rights and you may have other rights, which vary from state, province, and nation.

Warranty claims process will start with all information; SKYTECH II will reserve the right to physically inspect the product for defects, by authorized representatives.



Recognized component according to UL 1004-1 and UL 1004-3 and CSA C22.2 No. 100-04 and CSA C22.2 No 77-95 R2004

### **For Technical Questions Call:**

**Skytech Products Group**  
9230 Conservation Way  
Fort Wayne, IN 46809  
1-(888) 672-8929  
[www.skytechsystem.com](http://www.skytechsystem.com)