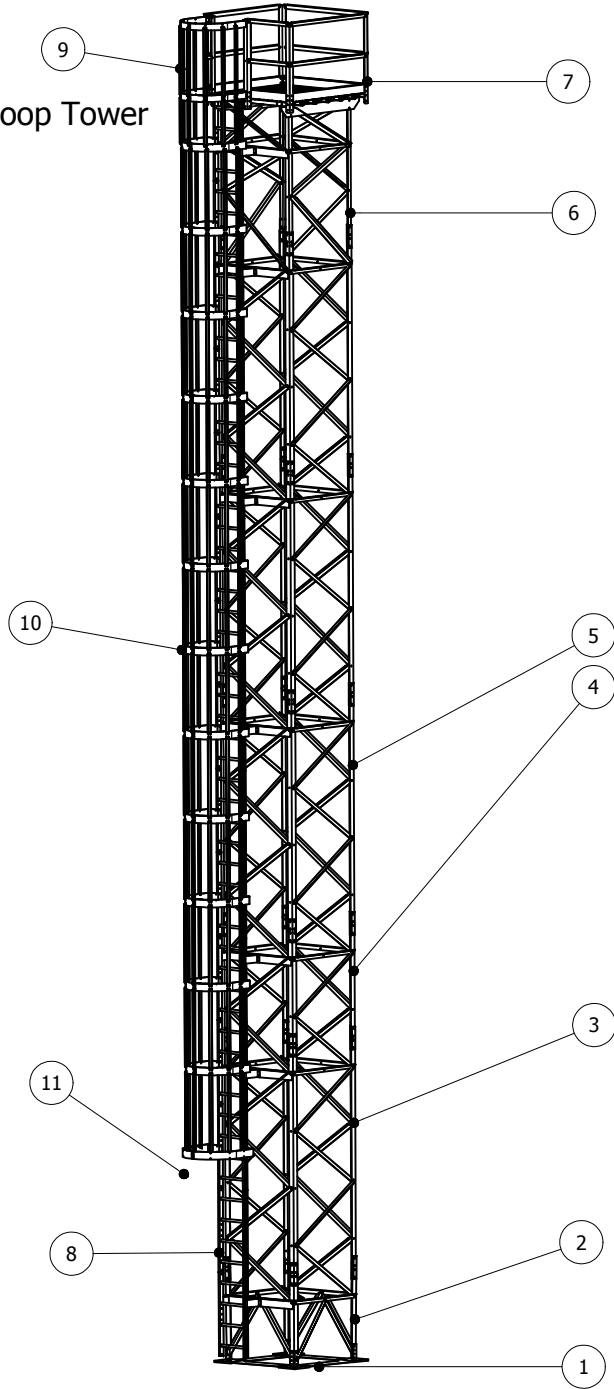


64551 55' Loop Tower



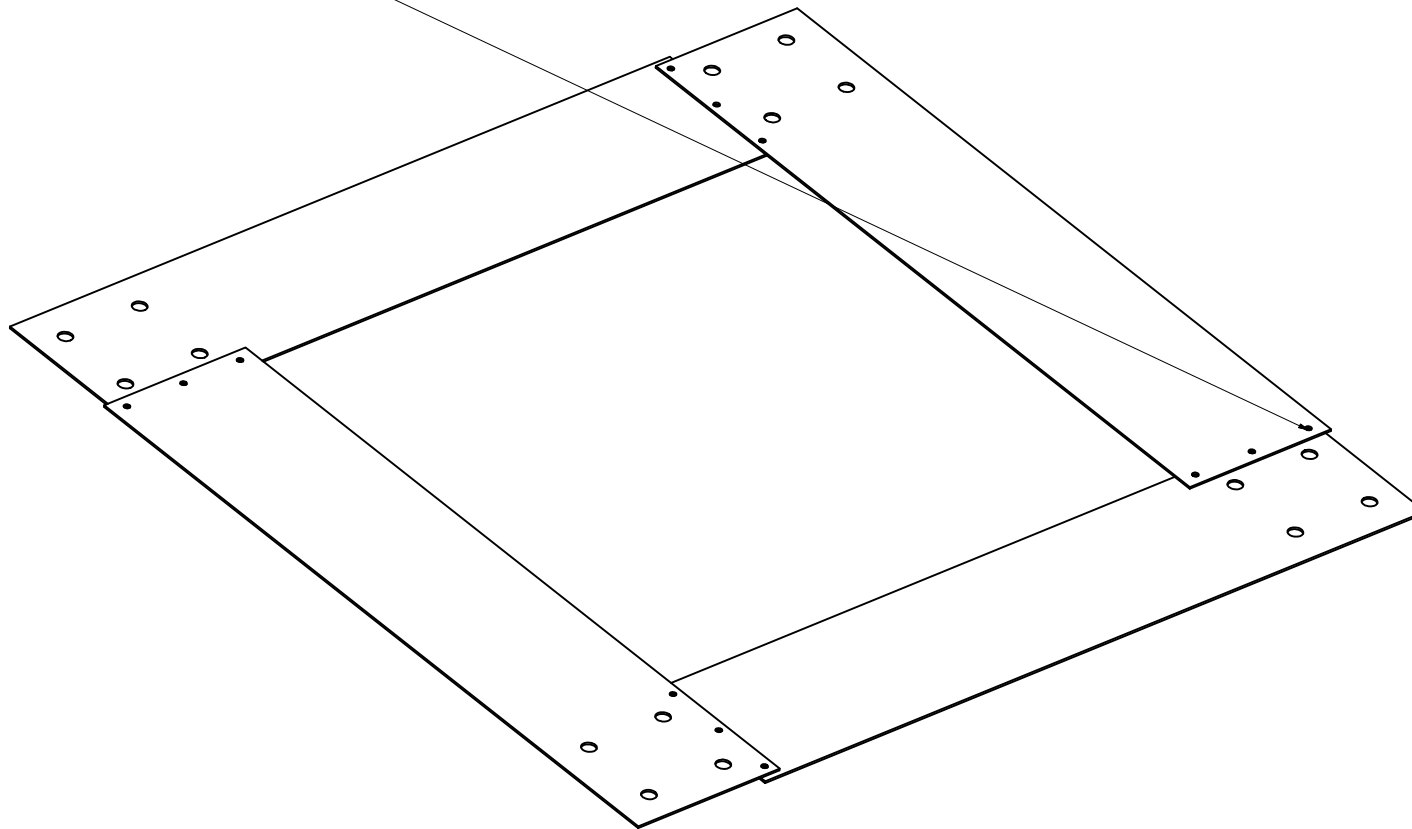
Parts List			
ITEM	QTY	PART NUMBER	DESCRIPTION
1	1	Template assy	
2	1	44504 5-16 base section	
3	1	44410 10 ft int section	
4	1	44404 5 ft int section	
5	3	44310 10 ft int section	
6	1	44306 6 ft top section	
7	1	64550 5 x 5 top deck assy	
8	5.5	Sukup ladder	
9	1	SP-C123 Safety cage Top	
10	11	SP-C122 Safety cage main	
11	1	SP-C001 Safety cage flare	

DRAWN Rex A Greene		1/8/2007	Greene Welding and Hardware Inc. Greene Galvanized Stairs 217/375/4244 www.greenebinstairs.com	
MFG			TITLE	
APPROVED			SIZE C	DWG NO 64551 55 loop tower
				REV
			SHEET 1 OF 13	

# Template Assy

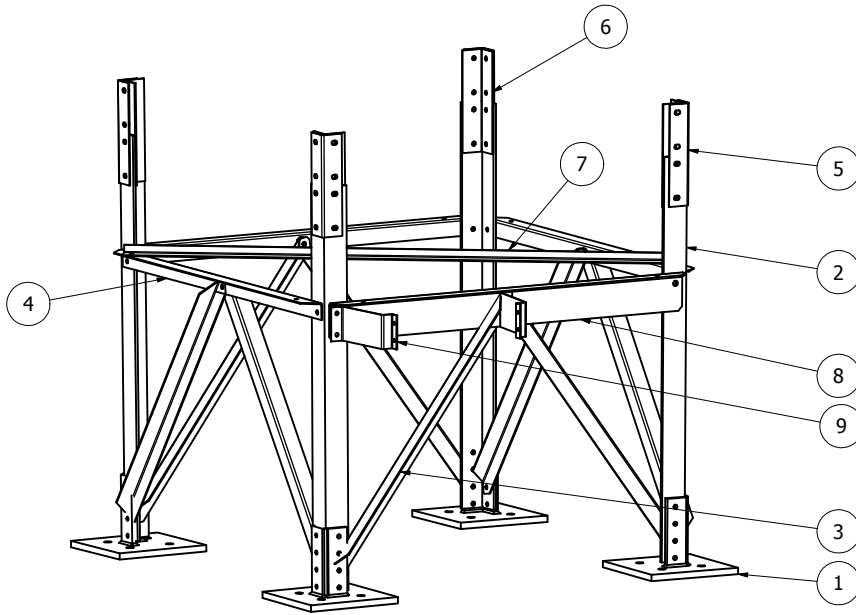
Parts List			
ITEM	QTY	PART NUMBER	DESCRIPTION
1	4	Anchor template 48	47x10x12ga
2	14	3/8" x 3/4 cap screws	
3	14	3/8 nuts	

1



DRAWN		Greene Welding and Hardware Inc.	
Rex A Greene		Greene Galvanized Stairs 217/375/4244	
		www.greenebinstairs.com	
MFG		TITLE	
APPROVED			
SIZE	DWG NO	REV	
C	64551 55 loop tower		
SHEET 2 OF 13			

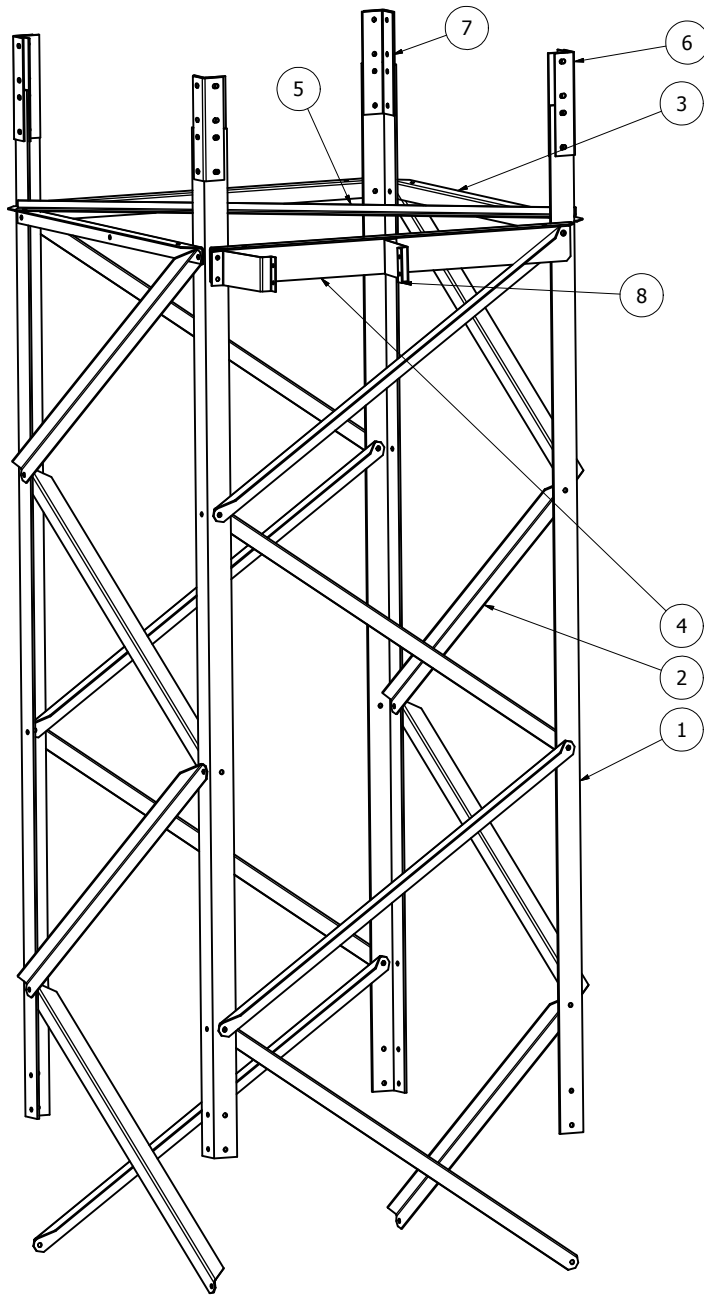
44504 5/16 base section



Parts List			
ITEM	QTY	PART NUMBER	STOCK NUMBER
1	4	66-B001 Anchor assy	
2	4	64-L001 Base leg -3125	
3	8	64-D001 short base diag	39.25 x 2 x 2 x 8 ga L
4	3	64-C001 Cross angle	47 x 2 x 2 x 8 ga L
8	1	64-LC002 Ladder Cross bar	46.75 x 4.5 x 2 x 8 ga L
5	4	SS2008 Siderail Splice	12 x 2.5 x 2.5 x 8 ga L
6	8	SS018 Siderail splice 8 ga	12 x 2 x 8 ga
7	1	64-T001 tie brace	65.5 x 2 x 1 x 8 ga L
9	2	64-LB003 Ladder Bracket	9 x 1.5 x 12 ga LB
10	65	7/16 x 1 1/2 cap screw	
11	65	7/16 whiz nut	
12	4	5/16 x 3/4 cap screw	
13	4	5/16 Whiz nut	

DRAWN Rex A Greene		1/8/2007	Greene Welding and Hardware Inc. Greene Galvanized Stairs 217/375/4244 www.greenebstairs.com	
MFG			TITLE	
APPROVED			REV	
SIZE C	DWG NO 64551 55 loop tower			
SHEET 3 OF 13				

44410 10ft 1/4 int section

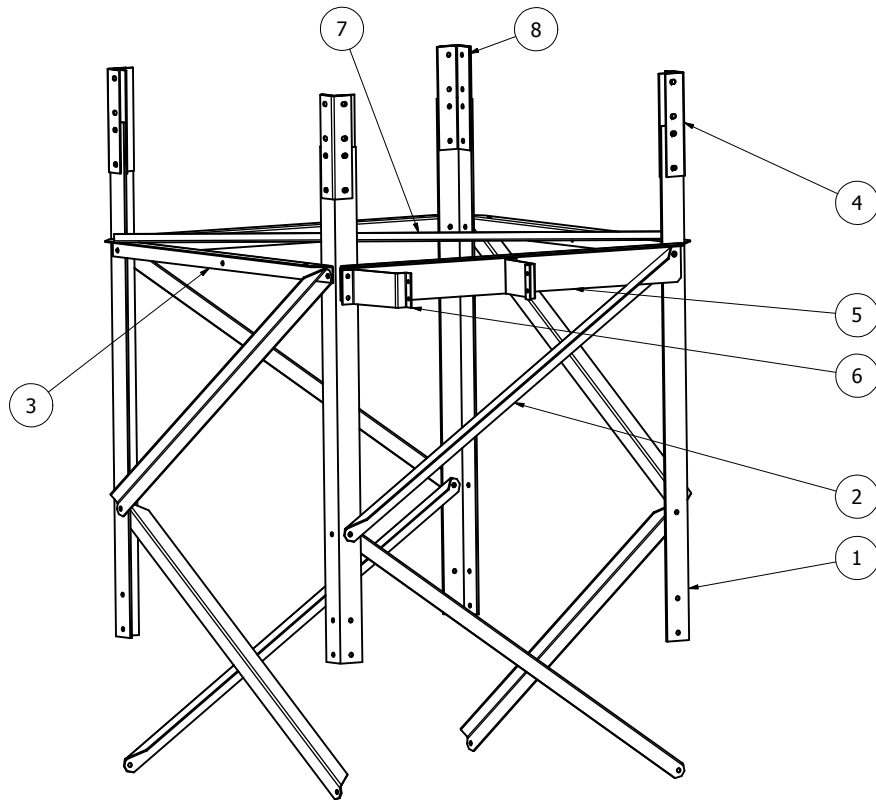


Parts List			
ITEM	QTY	PART NUMBER	STOCK NUMBER
1	4	64-L007 120 1-4 leg	120 x 3 x 3 x 1/4 L
2	16	64-D007 diagonal	55.5 x 2 x 2 x 8 ga L
3	3	64-C001 cross angle	47 x 2 x 2 x 8 ga L
4	1	64-LC002 Ladder Cross bar	46.75 x 4.5 x 2 x 8 ga L
5	1	64-T001 tie brace	65.5 x 2 x 1 x 8 ga L
6	4	SS2008 Siderail Splice	12 x 2.5 x 2.5 x 8 ga L
7	8	SS0018 Siderail splice 8 ga	12 x 2 x 8 ga
8	2	64-LB003 Ladder Bracket	9 x 1.5 x 12 ga LB
9	65	7/16 x 1 1/2 cap screw	
10	65	7/16 whiz nut	
11	4	5/16 x 3/4 Cap screw	
12	4	5/16 Whiz nut	

DRAWN Rex A Greene		1/8/2007	Greene Welding and Hardware Inc. Greene Galvanized Stairs 217/375/4244 www.greenebinstairs.com	
MFG			TITLE	
APPROVED			SIZE	
			C	DWG NO 64551 55 loop tower
				REV
			SHEET 4 OF 13	

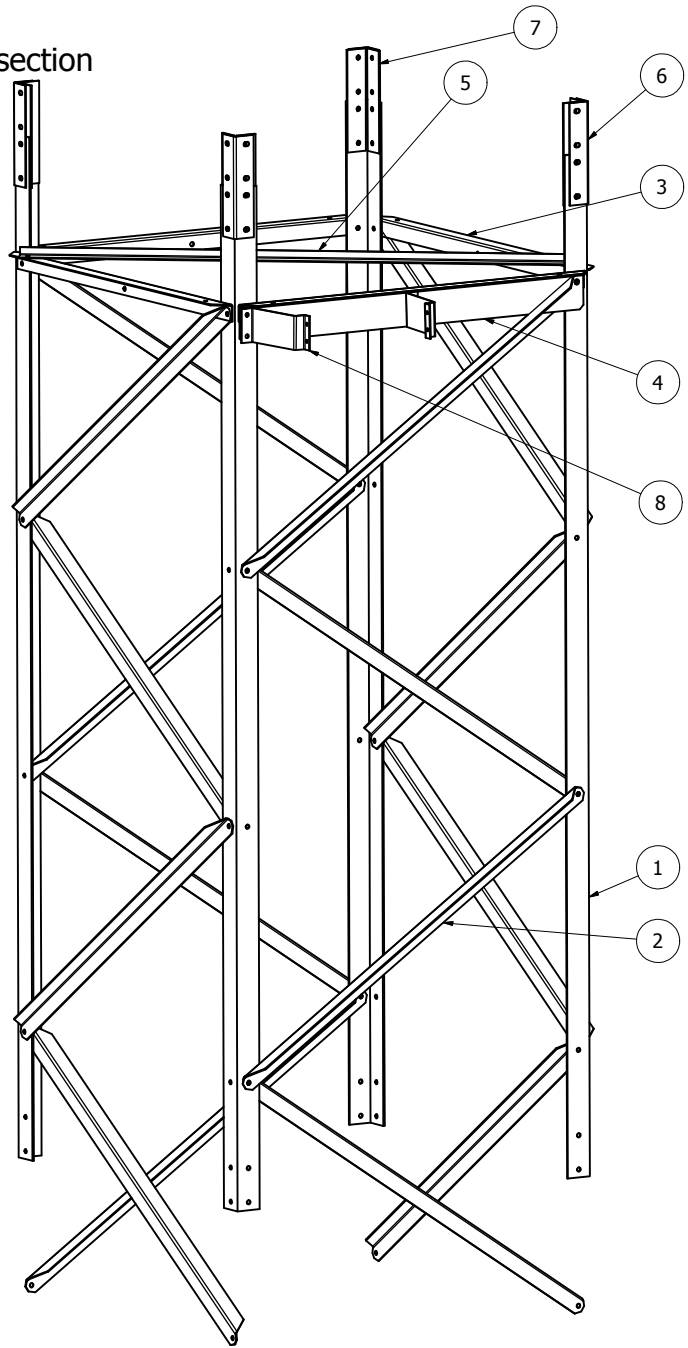
44404 5 ft 1/4 int section

Parts List			
ITEM	QTY	PART NUMBER	STOCK NUMBER
1	4	64-L006 60 1-4 leg	
2	8	64-D007 diagonal	55.5 x 2 x 2 x 8 ga L
3	3	64-C001 cross angle	47 x 2 x 2 x 8 ga L
5	1	64-LC002 Ladder Cross bar	46.75 x 4.5 x 2 x 8 ga L
7	1	64-T001 tie brace	65.5 x 2 x 1 x 8 ga L
4	4	SS2008 Siderail Splice	12 x 2.5 x 2.5 x 8 ga L
8	8	SS0018 Siderail splice 8 ga	12 x 2 x 8 ga
6	2	64-LB003 Ladder bracket	9 x 1.5 x 12 ga LB
9	44	7/16 x 1 1/2 Cap screw	
10	44	7/16 whiz nut	
11	4	5/16 x 3/4 cap screw	
12	4	5/15 whiz nut	



DRAWN		1/8/2007		Greene Welding and Hardware Inc.	
Rex A Greene				Greene Galvanized Stairs 217/375/4244	
				www.greenebstairs.com	
				TITLE	
MFG					
APPROVED					
		SIZE	DWG NO	REV	
		C	64551 55 loop tower		
				SHEET 5 OF 13	

44310 10 ft 3/16 int section

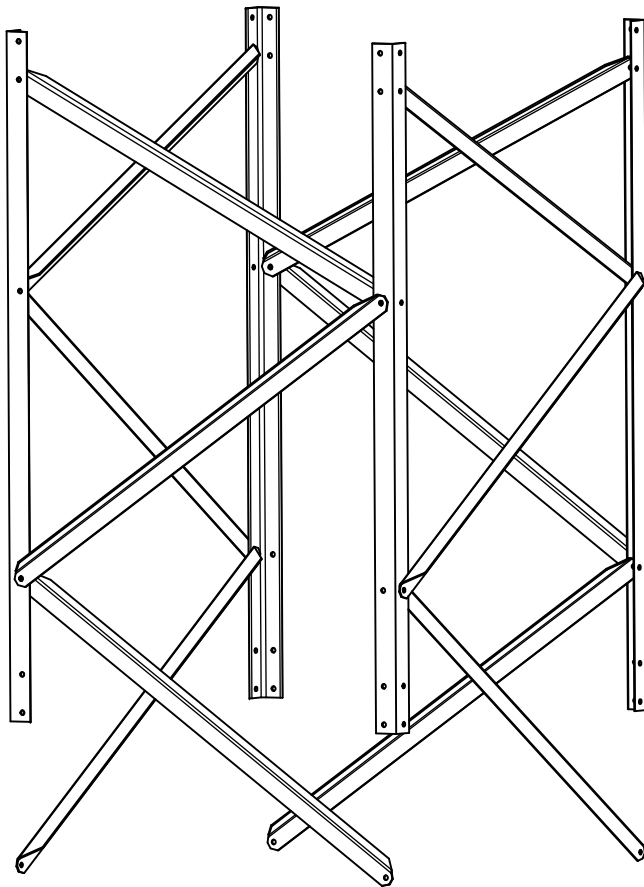


Parts List			
ITEM	QTY	PART NUMBER	STOCK NUMBER
1	4	64-L005 120 3-16 leg	120 x 3 x 3 x 3/16 I
2	16	64-D007 diagonal	55.5 x 2 x 2 x 8 ga L
3	3	64-C001 Cross Angle	47 x 2 x 2 x 8 ga L
4	1	64-LC002 Ladder Cross bar	46.75 x 4.5 x 2 x 8 ga L
5	1	64-T001 tie brace	65.5 x 2 x 1 x 8 ga L
6	4	SS2008 Siderail Splice	12 x 2.5 x 2.5 x 8 ga L
7	8	SS0018 Siderail splice 8 ga	12 x 2 x 8 ga
8	2	64-LB003 Ladder Bracket	9 x 1.5 x 12 ga LB
9	65	7/16 x 1 1/2 cap screw	
10	65	7/16 7/16 whiz nut	
11	4	5/16 x 3/4 cap screws	
12	4	5/16 whiz nuts	

DRAWN Rex A Greene		1/8/2007	Greene Welding and Hardware Inc. Greene Galvanized Stairs 217/375/4244 www.greenebinstairs.com	
MFG			TITLE	
APPROVED			SIZE C	DWG NO 64551 55 loop tower
				REV
SHEET 6 OF 13				

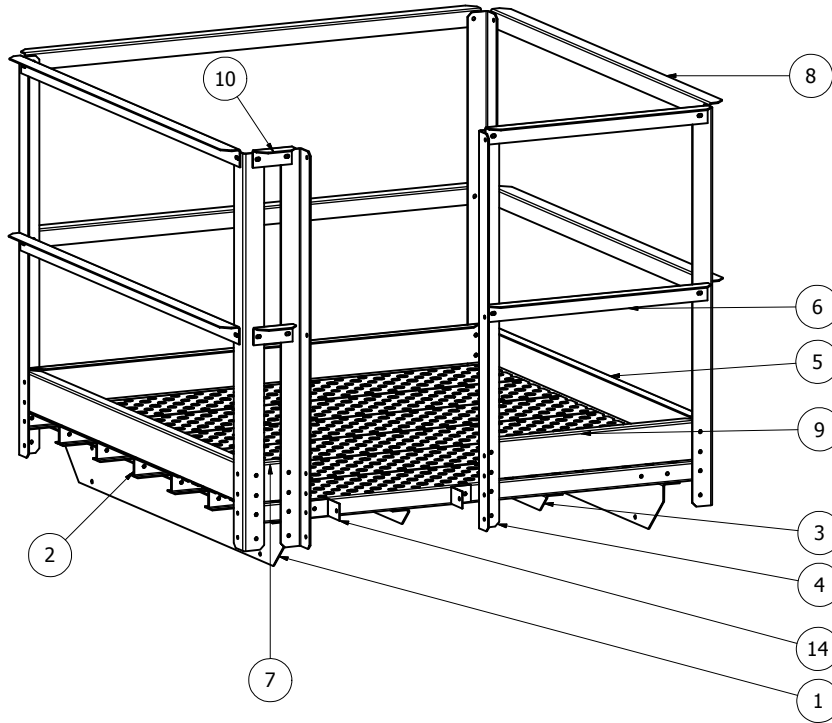
44306 6 ft top section

Parts List			
ITEM	QTY	PART NUMBER	STOCK NUMBER
1	4	64-L010 short top light leg	72 x 2.5 x 2.5 x 3/16 L
2	8	64-D007 diagonal	55.5 x 2 x 2 x 8 ga L
3	4	64-D009 top diagonal	52 x 2 x 2 x 8 ga L
4	40	7/16 x 1 x cs	
5	40	7/16 whiz nut	
6	1		
7	1		



DRAWN Rex A Greene 4/6/2007		Greene Welding and Hardware Inc. Greene Galvanized Stairs 217/375/4244 www.greenebinstairs.com	
MFG		TITLE	
APPROVED		SIZE	
		C	
		DWG NO	
		64551 55' tower	
		REV	
SHEET 7 OF 13			

# 64550 5 x 5 top deck assy



Parts List			
ITEM	QTY	PART NUMBER	DESCRIPTION
1	2	64-TD0001 Mount Flange	60 x 6 x 2 x 8 ga
2	6	64-TD501 5ft deck	59.5 x 10 deck
3	2	64-TD009 Deck support	60 x 2 x 2 x 12 ga
4	6	64-TD502 Plat Post	47 x 2.5 x 2.5 x 10 ga
5	3	64-TD503 5' Kickboard	59 x 4.5 x 1.5 x 12 ga
6	2	64-TD506 Mid Handrail	29 x 4.5 x 1.5 x 12 ga
7	1	64-TD508 Short Kickboard	5.5 x 4.5 x 1.5 x 12 ga
8	6	64-TD005 5' handrail	58.5 x 2 x 2 x 12 ga
9	1	64-TD504 Mid Kickboard	28.5 x 2 x 2 x 12 ga
10	2	64-TD507 Short Handrail	5 x 2 x 2 x 12 ga
14	2	64-TD003 ladder bucket	
11	125	5/16 x 3/4 cap screw	
12	125	5/16 whiz nut	
13	60	5/16 Flat washer	

DRAWN Rex A Greene		1/8/2007		Greene Welding and Hardware Inc. Greene Galvanized Stairs 217/375/4244 www.greenebinstairs.com	
MFG		APPROVED		TITLE	
SIZE C		DWG NO 64551 55 loop tower		REV	
SHEET 8 OF 13					



4

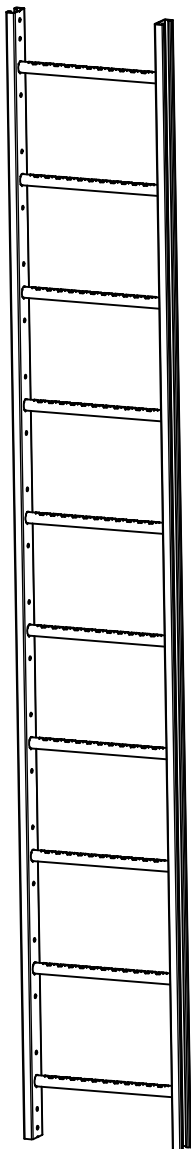
3

2

1

1

10' Sukup  
ladder section



PARTS LIST			
ITEM	QTY	PART NUMBER	DESCRIPTION
1	1	Sukup 120" ladder	
2	2	Sukup rail splice	
3	8	5/16 x 3/4 cs	
4	8	5/16 whiz nut	

DRAWN Rex A Greene		11/19/2010		Greene Welding and Hardware Inc.	
				Greene Galvanized Stairs	
				TITLE 217/375/4244 www.greenebinstairs.com	
MFG					
APPROVED					
		SIZE C	DWG NO 64551 55 loop tower	REV	
				SHEET 9 OF 13	

4

3

2

1

1

D

D

C

C

B

B

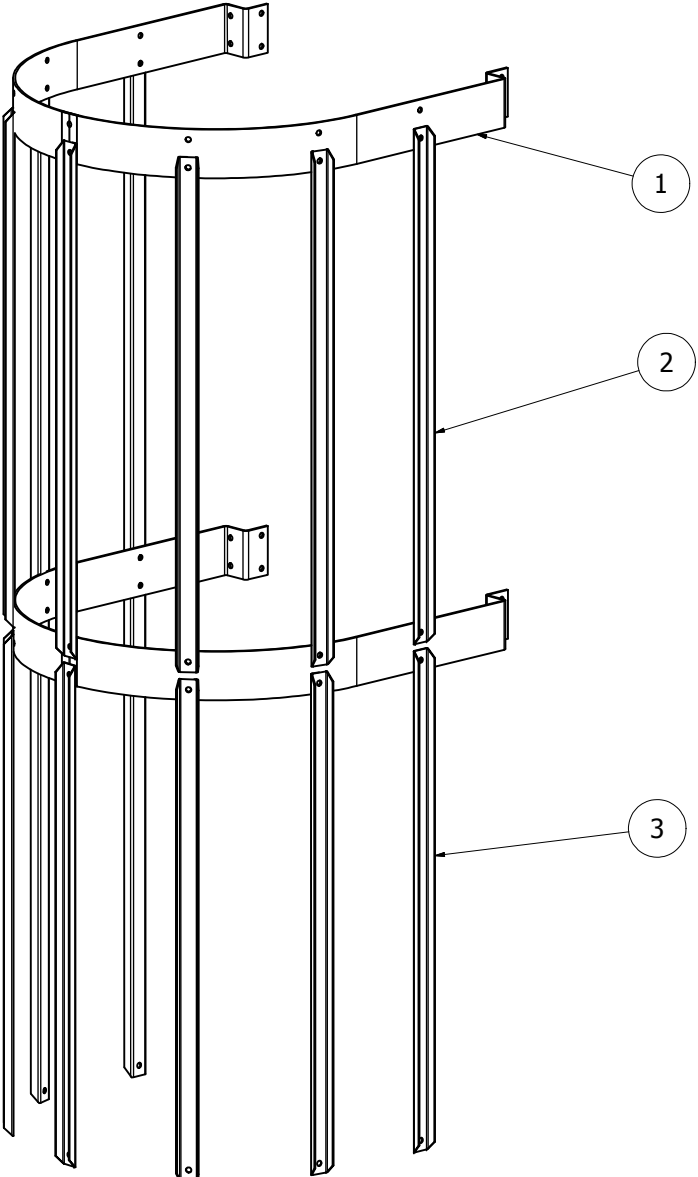
B

B

A

A

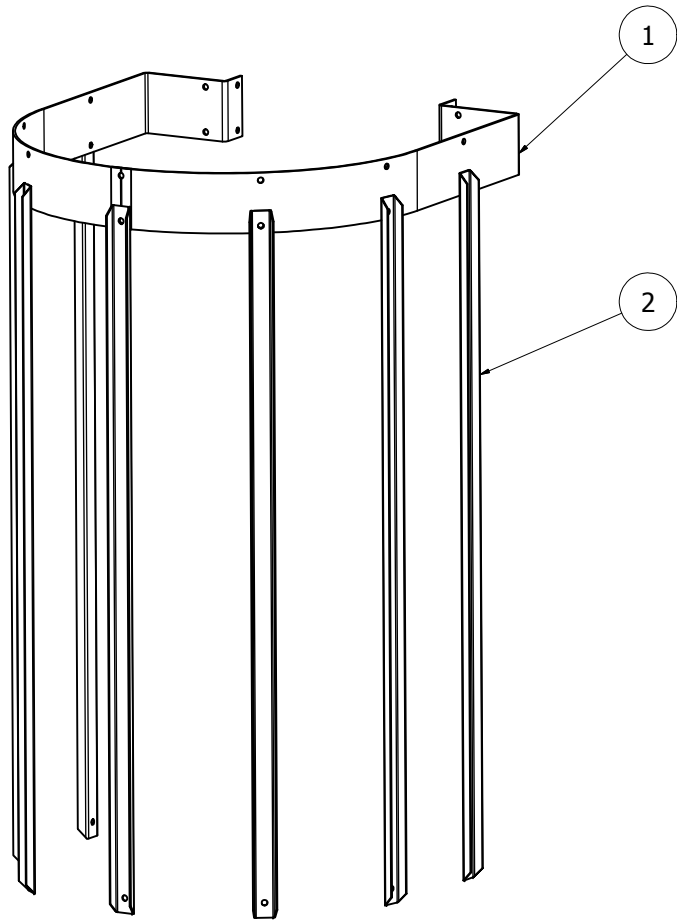
SP-123 Top safety cage



PARTS LIST			
ITEM	QTY	PART NUMBER	DESCRIPTION
1	4	SPC-002 Top hoop	
2	7	SPC-012 top upright	
3	7	SPC-113 mid upright	
4	17	5/16 x 3/4 cs	
5	17	5/16 whiz nut	

DRAWN Rex A Greene 2/19/2010		Greene Welding and Hardware Inc.	
		Greene Galvanized Stairs	
		TITLE 217/375/4244 www.greenebinstairs.com	
MFG			
APPROVED			
SIZE C	DWG NO 64551 55 loop tower	REV	
		SHEET 10 OF 13	

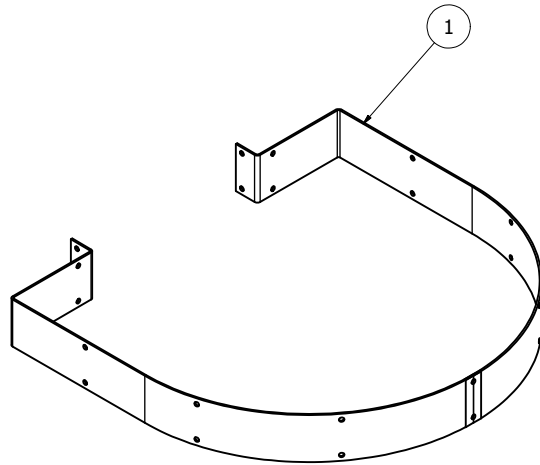
SP-C122 Safety cage main



PARTS LIST			
ITEM	QTY	PART NUMBER	DESCRIPTION
1	2	SPC-001	
2	7	SPC-111 main upright	
3	18	5/16 x 3/4 cs	
4	18	5/16 whiz nut	

DRAWN Rex A Greene 2/19/2010		Greene Welding and Hardware Inc.	
		Greene Galvanized Stairs	
		TITLE 217/375/4244 www.greenebinstairs.com	
MFG			
APPROVED			
SIZE C	DWG NO 64551 55 loop tower	REV	
		SHEET 11 OF 13	

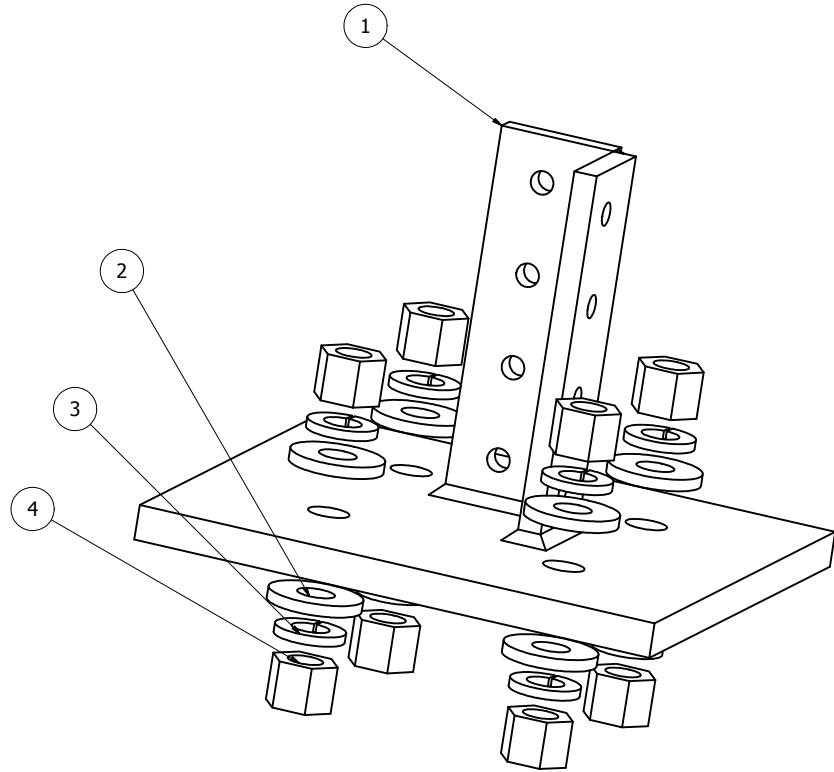
SP-C001 Safety cage flare



Parts List			
ITEM	QTY	PART NUMBER	DESCRIPTION
1	2	SPC-003 flare hoop	
2	9	5/16 x 3/4 cap screw	
3	9	5/16 whiz nut	

DRAWN		Greene Welding and Hardware Inc.	
Rex A Greene		Greene Galvanized Stairs 217/375/4244	
1/8/2007		www.greenebinstairs.com	
		TITLE	
MFG			
APPROVED			
		SIZE	DWG NO
		C	64551 55 loop tower
		REV	
		SHEET 12 OF 13	

# Anchoring mount



Parts List			
ITEM	QTY	PART NUMBER	DESCRIPTION
1	1	64-AB001	Anchor base
2	8	3-4	Heavy washer
3	8	3-4	lock washer
4	8	3-4	nut

DRAWN		Greene Welding and Hardware Inc.	
Rex A Greene		Greene Galvanized Stairs 217/375/4244	
		www.greenebinstairs.com	
MFG		TITLE	
APPROVED		REV	
		SIZE	DWG NO
		C	64551 55 loop tower
		SHEET 13 OF 13	