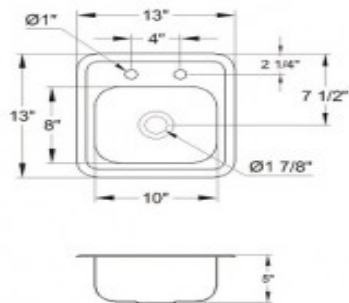
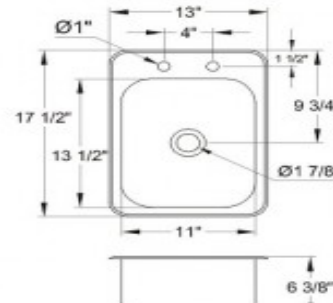


WICKETTS STAINLESS SPECIFICATION

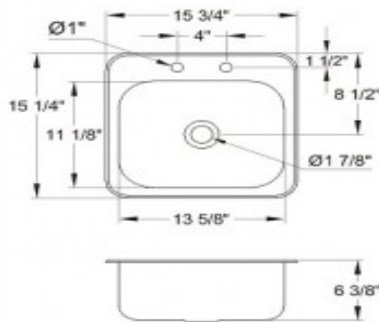
Stainless Steel Hand Sink
Drop In Sink



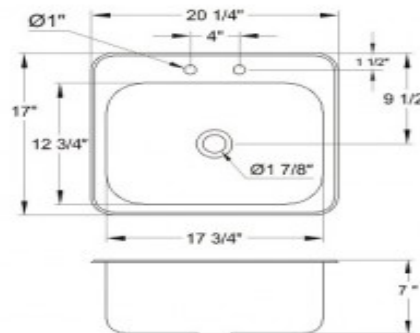
HS-0810IG



HS-1317IHG



HS-1615IHG



HS-2017IG

Product #	Description	Wt. lb/case
WHS 1317-IG	Space Save Drop-In Hand Sink, Lead Free, Deep 5-5/8"	8
WHS 1615-IG	Standard Drop-In Hand Sink, Lead Free, Deep 5-5/8"	8
WHS 2017-IG	Extra Wide Drop-In Hand Sink, Lead Free, Deep 6-1/2"	9
WHS 0810-IG	Mini Drop-In Hand Sink, Lead Free, Deep 5"	5

WICKETTS STAINLESS, LLC
2618 San Miguel Dr. Bldg.# 376
Newport Beach, CA 92660
Tel.(951)-858-2548
Fax.(951)-638-9059
sales@wickettsstainless.com
www.wickettsstainless.com



Approved for Manufacturing
Company: _____
Signature: _____