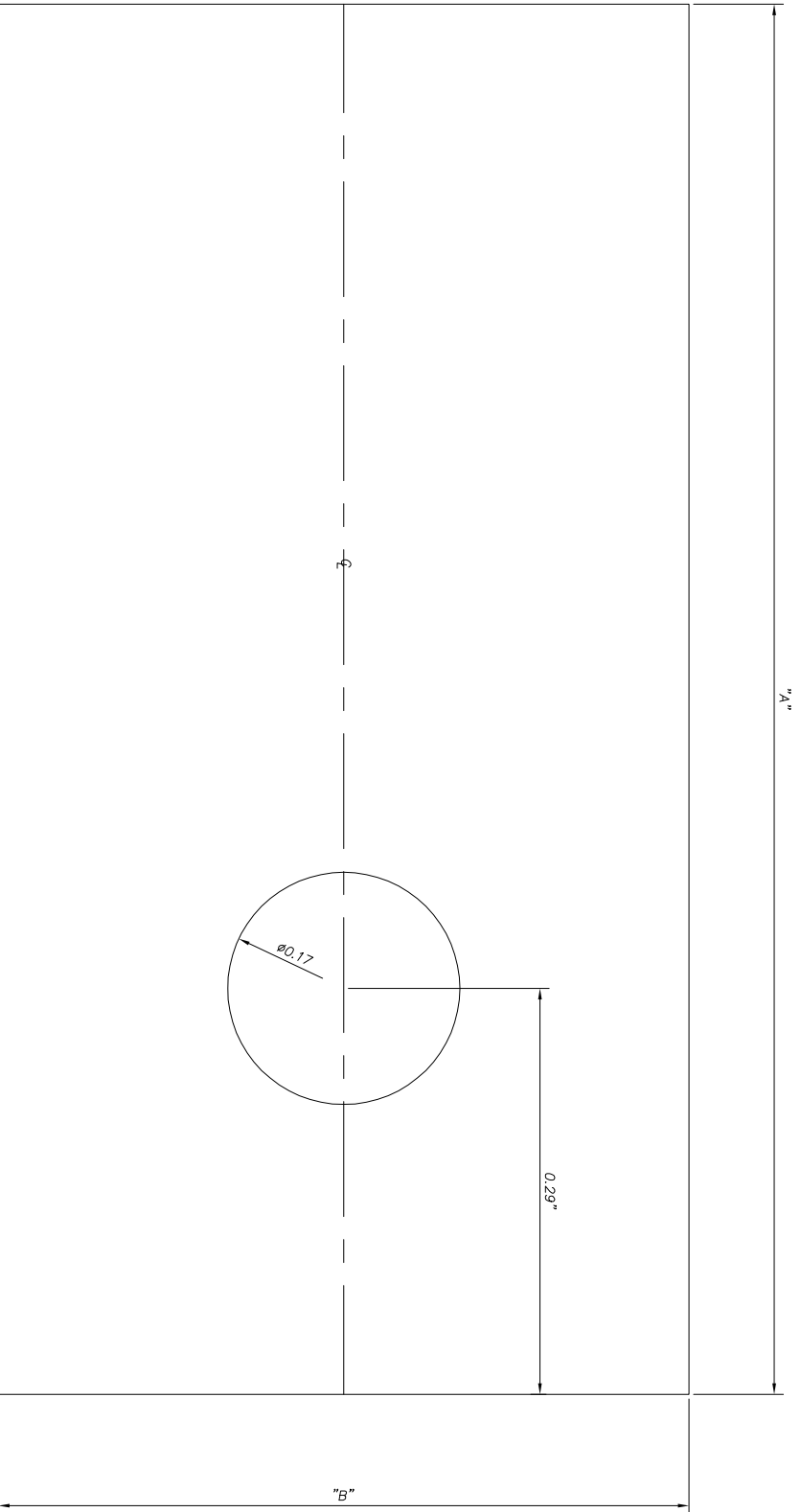


FOR #1 AND #2
AND LANDSCAPE METER BOXES

METER BOXES STYLE #1 & #2		
STYLE	"A" DIMENSION	"B" DIMENSION
#1	14"	7"
#2	19"	11-1/4"

NOTE:
REFER TO MAG. STD. 320
CONCRETE WATER METER BOXES



N.T.S

JOHNSON UTILITIES, LLC
SCOTTSDALE, AZ

WATERLINE CONSTRUCTION
HOLE METER BOX LIDS

DETAIL NUMBER:
JU-3106