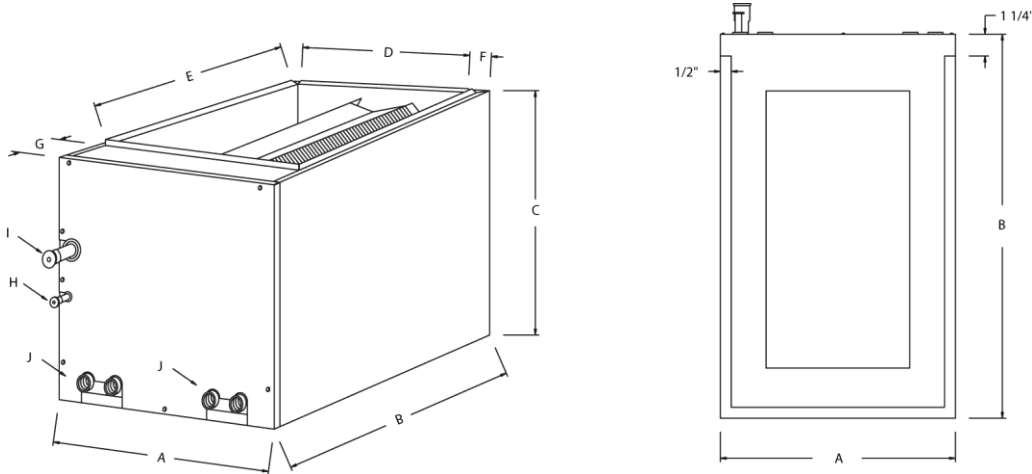


Sustainable Coils LLC

Replacement Coil Solutions!

STOCK REPLACEMENT A-COILS CASED

Revision Date: 03/10/2021



COIL MODEL	COIL WEIGHT	A	B	C	D	E	F	G	H	I	J
1024A13-C	32	14 1/2	21 1/4	14	12 3/4	18 3/4	7/8	1 5/8	3/8	3/4	3/4
1024A16-C	34	17 1/2	21 1/4	14	15 3/4	18 3/4	7/8	1 5/8	3/8	3/4	3/4
1036A13-C	39	14 1/2	21 1/4	16	12 3/4	18 3/4	7/8	1 5/8	3/8	3/4	3/4
1036A16-C	42	17 1/2	21 1/4	16	15 3/4	18 3/4	7/8	1 5/8	3/8	3/4	3/4
1036A20-C	50	21	21 1/4	18	19 1/4	18 3/4	7/8	1 5/8	3/8	3/4	3/4
1048A16-C	50	17 1/2	21 1/4	20	15 3/4	18 3/4	7/8	1 5/8	3/8	7/8	3/4
1048A20-C	54	21	21 1/4	20	19 1/4	18 3/4	7/8	1 5/8	3/8	7/8	3/4
1048A23-C	57	24 1/2	21 1/4	20	22 3/4	18 3/4	7/8	1 5/8	3/8	7/8	3/4
1060A20-C	63	21	21 1/4	24	19 1/4	18 3/4	7/8	1 5/8	3/8	7/8	3/4
1060A23-C	65	24 1/2	21 1/4	24	22 3/4	18 3/4	7/8	1 5/8	3/8	7/8	3/4

UNIGUARD® by Virtus Precision Tube, 3/8" O.D. CU-422 copper alloy tubing
 2,490 PSI burst pressure minimum
 Aluminum end plates to protect against rust corrosion
 Aluminum fins spaced at 14 FPI for proper air flow in replacement applications
 Piston metered for R-410A refrigerant, additional R-22 piston optional
 R-22 and R-410A expansion valve kits (loose or installed) available upon request
 Plastic drain pans; nylon resin is UL 94, 5VFR and U.V. safe
 22 ga. G-90 galvanized cabinets with 1/2" foil backed insulation in popular sizes
 Heal punched access door for removal without disconnecting line sets or drains
 Pre-swaged refrigerant connections, shipped with dry nitrogen holding charge
 Internal refrigerant volumes: 1024A=91.84, 1036A=128.57, 1048A=165.30 1060A=202.04
 Five year replacement warranty

Visit our website www.SustainableCoils.com for further information regarding our complete product line.

Telephone: (903) 881-6006

Fax: (903) 881-6008

email: sales@SustainableCoils.com