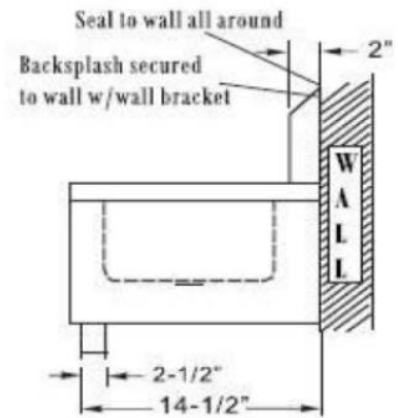
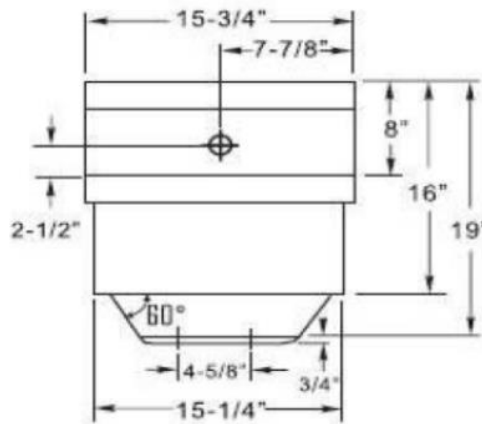
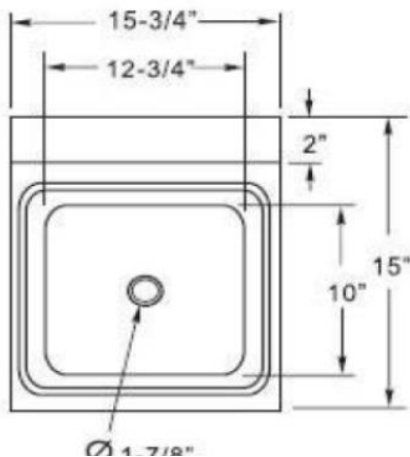


# WICKETTS STAINLESS

Stainless Steel Hand Sink  
WHS 1615-KG KNEE VALVE

## SPECIFICATION



Product #	Description
WHS 1615-KG	16 x 15 Wall Mount Hand Sink With Knee Valve; 1.8 GPM Lead Free Faucet

Wicketts Stainless, LLC.  
2618 San Miguel Dr. Bldg. # 376  
Newport Beach, CA 92660  
Tel: 951-858-2548  
Fax: 951-638-9059  
www.wickettsstainless.com  
Sales@wickettsstainless.com



Approved for Manufacturing  
Company: \_\_\_\_\_  
Signature: \_\_\_\_\_  
Print: \_\_\_\_\_ Date: / /