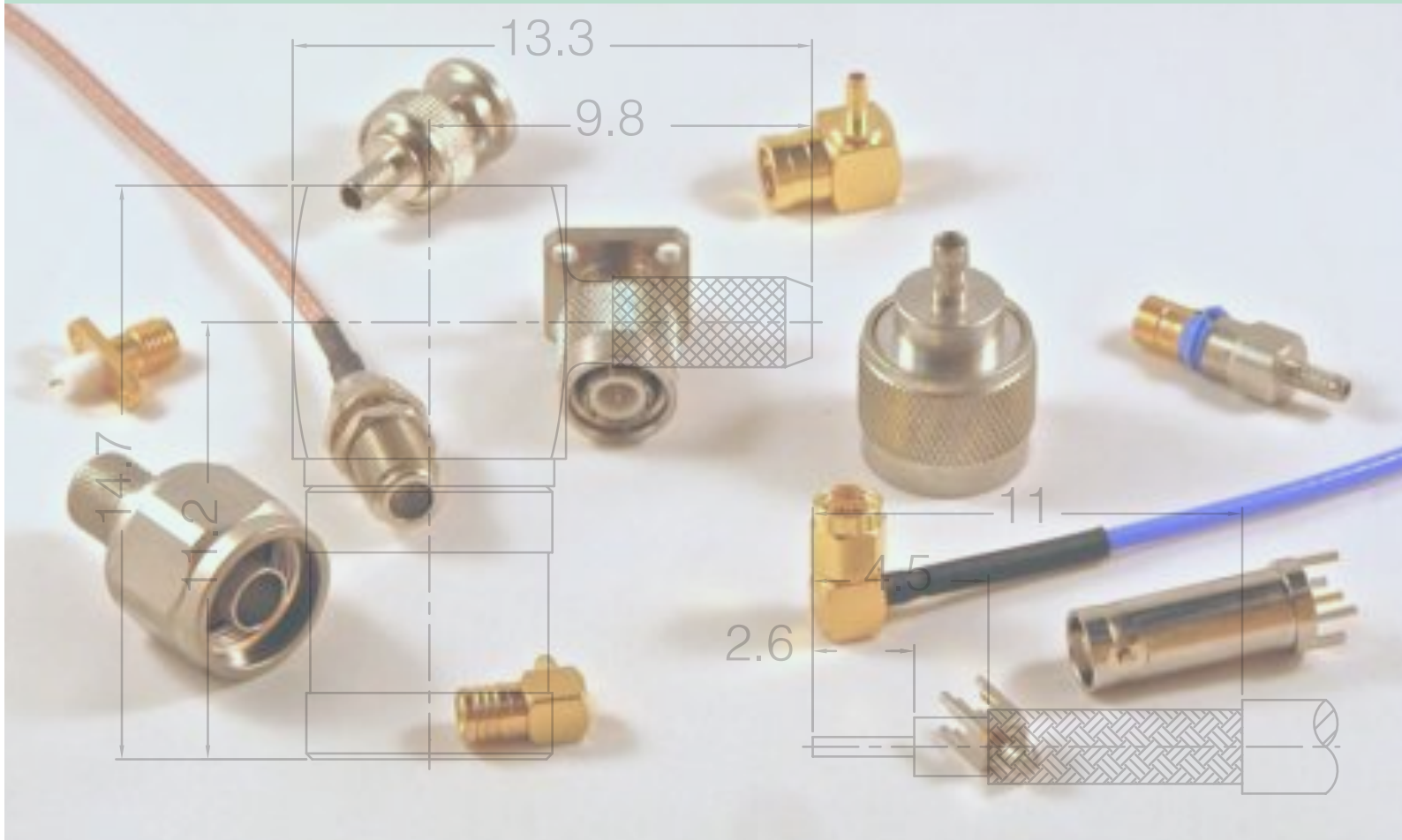


RF Connectors



- Cable Connectors
- PCB Connectors
- Mounting Details

www.ConductRF.com



Introduction

Conduct RF has over 30 years experience in the manufacturing and support of RF Connectors and Cable Assemblies. In addition to our standard broad line catalog offering, shown here, Conduct RF also has the skill and knowledge to develop and produce modified standard interface connectors, that better suit specific application needs. If required Conduct RF is also willing to develop uniquely custom solutions that offer features & benefits not available with standard configurations and interfaces that meet specific customer needs.

Conduct RF's product is designed to meet the requirements of applications found in the following markets; Communications, Defense, Medical Infrastructure, Commercial Aerospace, Test & measurements and Scientific Research.

The product offered within this catalog is manufactured in Tainan, Taiwan by our team of experienced industry professionals. With the aid of the latest Japanese machining centers, our manufacturing team ensures the delivery of high quality product in volume to meet the needs of a diverse array of applications.

Our connector design team is collocated with manufacturing and utilizes performance simulation software to optimize the design of our product for a excellent performance across a broad frequency range. Custom requirements can be modeled to optimize performance within a specified bandwidth if desired.

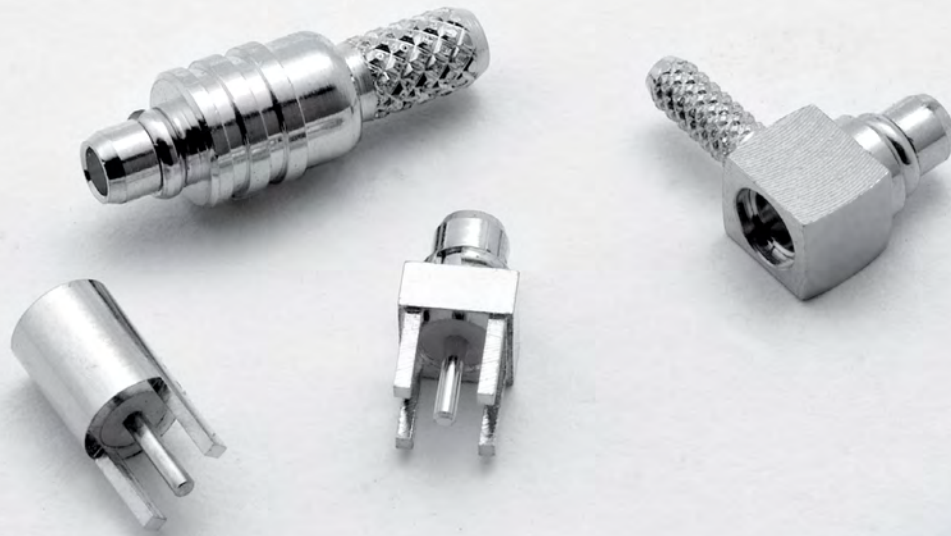
Our product is produced in accordance with ISO9001 certification, testifying to our commitment to quality. Other approvals for specific industries may be available for specific products or application needs on request.



CONTENTS

1. MMCX (MM).....	5
2. MCX (M5 - 50 Ω / M7 - 75 Ω).....	15
3. SMA (SA).....	25
4. SMB / MINI SMB (B5 - 50 Ω / B7 - 75 Ω).....	43
5. 1.0 / 2.3 (D5 - 50 Ω / D7 - 75 Ω).....	55
6. 1.6 / 5.6 (DE).....	63
7. SMZ / BT43 (BT).....	71
8. BNC (C5 - 50 Ω / C7 - 75 Ω).....	79
9. TNC (T5 - 50 Ω / T7 - 75 Ω).....	95
10. N (N5 - 50 Ω / N7 - 75 Ω).....	107
11. F & G (TF / TG).....	123
12. 7/16 (DD).....	135
13. Between Series Adapters (BA).....	141
14. Fixed Attenuator (AT).....	153
15. PCB Layouts	156
16. Crimping Dies	159
17. Reflection Conversion Table	160

MMCX Series - MM



FEATURES :

- Quick connect / disconnect
- Snap-on mating
- Low-Profile PCB receptacles
- Operates to 6GHz
- Works with standard RG cables
- 360Deg Rotation

APPLICATIONS :

- Antennas
- Wireless Base Stations
- PCMCIA Cards
- GPS
- Telecom
- Radio Boards

ELECTRICAL SPECIFICATIONS

<u>Impedance</u>	<u>50 Ω</u>
<u>Frequency Range</u>	<u>0 – 6 GHz</u>
<u>Working Voltage</u>	<u>≤ 170 VRMS at sea level</u>
<u>Dielectric Withstanding Voltage</u>	<u>500 VRMS at sea level</u>
<u>VSWR</u>	<u>Straight : 1.3 max</u>
	<u>Right Angle : 1.5 max</u>
<u>Contact Resistance</u>	<u>Center Contact : ≤ 5 mΩ</u>
	<u>Outer Contact : ≤ 2.5 mΩ</u>
<u>Insulator Resistance</u>	<u>1000 MΩ min.</u>

MATERIAL SPECIFICATIONS

<u>Body and outer contacts</u>	<u>Brass, gold plated</u>
<u>Male contact</u>	<u>Brass, gold plated</u>
<u>Female contact</u>	<u>Beryllium Copper, gold plated</u>
<u>Insulator</u>	<u>PTFE</u>
<u>Crimp ferrule</u>	<u>Copper or brass, gold plated</u>

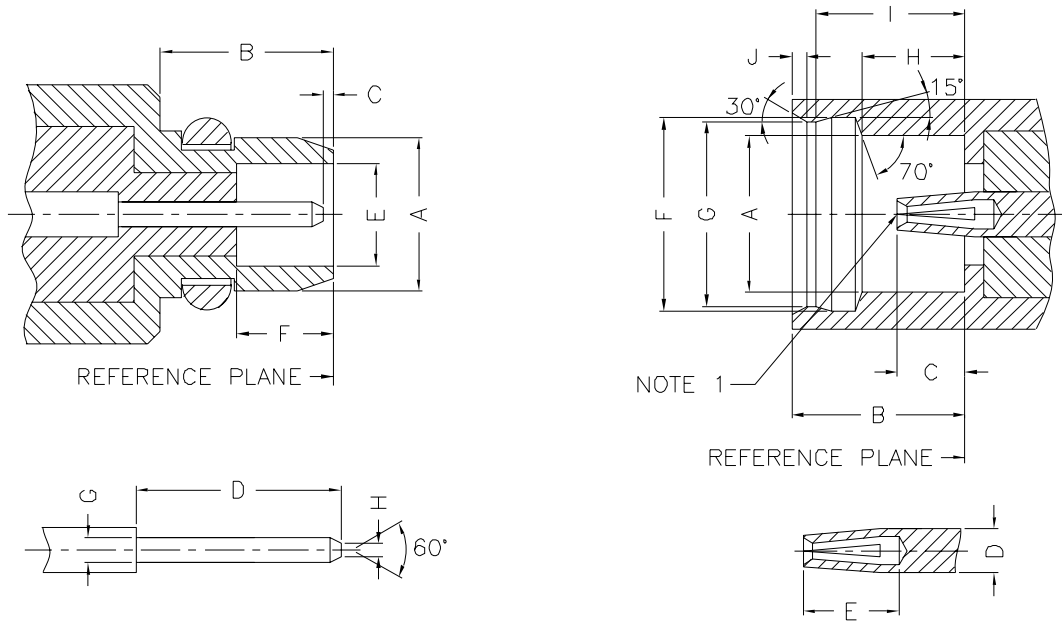
MECHANICAL SPECIFICATIONS

<u>Contact Retention</u>	<u>≥ 2.3 lbs</u>
<u>Engagement Force</u>	<u>≤ 3.4 lbs</u>
<u>Disengagement Force</u>	<u>≥ 1.4 lbs</u>
<u>Durability (matings)</u>	<u>500 cycles min.</u>

ENVIRONMENTAL

<u>Temperature Range</u>	<u>-55°C to +155°C</u>
--------------------------	------------------------

INTERFACE MATING DIMENSIONS



PLUG		
Letter	Millimeters	
	Minimum	Maximum
A	-	2.40
B	2.70	-
C	0.00	0.25
D	-	3.15
E	1.58	1.62
F	1.45	-
G	0.38	0.42
H	-	0.20

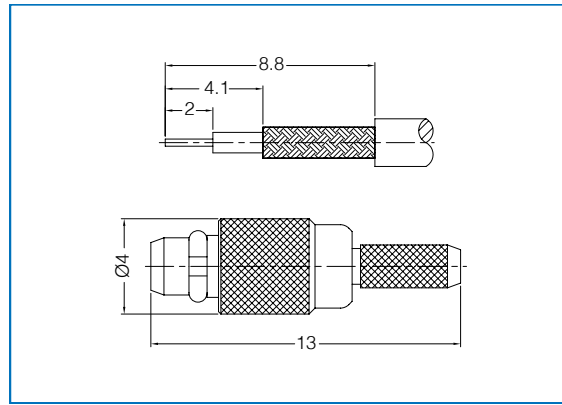
JACK		
Letter	Millimeters	
	Minimum	Maximum
A	2.41	-
B	2.60	-
C	0.90	1.20
D	0.68	0.72
E	1.40	-
F	3.00	3.04
G	2.87	2.90
H	1.57	1.63
I	2.30	2.34
J	-	0.23

Note 1 : I.D. to meet VSWR and contact resistance when mated with 0.38/0.42 mm dia. pin.

Straight Plug, Crimp

MMM11A-**AXX**G01

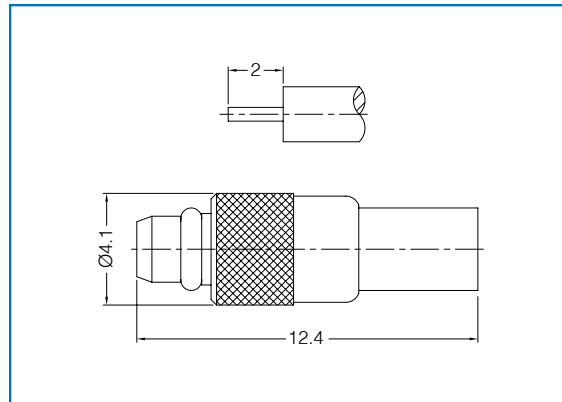
Cable group : [01](#), [02](#), [04](#), [06](#), [07](#)



Straight Plug, Solder

MMM11B-**AXX**G01

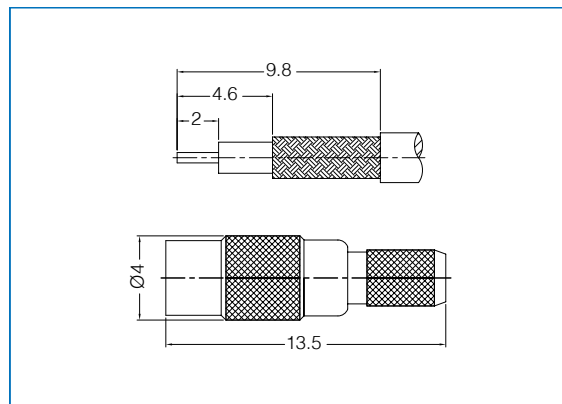
Cable group : [28](#), [33](#)



Straight Jack, Crimp

MMF11A-**AXX**G01

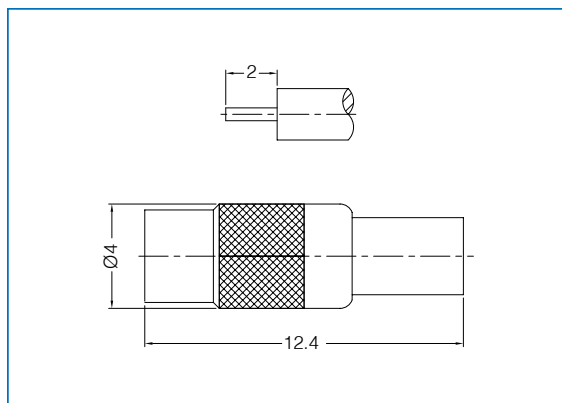
Cable group : [01](#), [02](#), [04](#), [06](#), [07](#)



Straight Jack, Solder

MMF11B-**AXX**G01

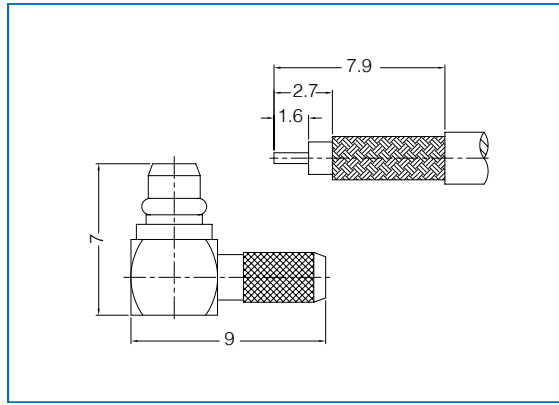
Cable group : [28](#), [33](#)



Right Angle Plug, Crimp

MMM21A-AXXG01

Cable group : [01](#), [02](#), [04](#)

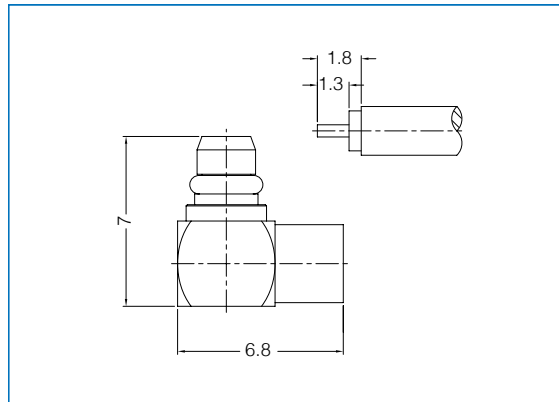


Cable Groups

Right Angle Plug, Solder

MMM21B-AXXG01

Cable group : [28](#), [33](#)

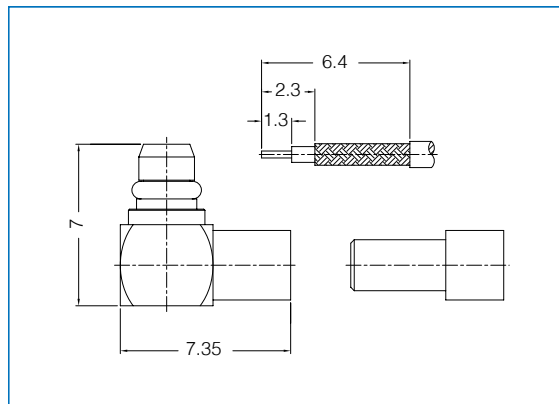


- | | | | | | |
|--|--------------------------------|-----------------------------------|----------------------------------|-----------------------------|----------------------------|
| A01 - 50Ω - RG-178, 198 | A08 - 50Ω - LMR200 | A15 - 75Ω - RG-6 | A22 - 75Ω - AT&T 734A | A29 - 50Ω - 141SR - RG-402U | A37 - 75Ω - FLEX 5 |
| A02 - 50Ω - RG-174, 188A, 316, LMR100 | A09 - 50Ω - RG-59U Plenum | A16 - 50Ω - 8X - LMR240 | A23 - 75Ω - AT&T 735A | A30 - 50Ω - 1.13mm OD micro | A38 - 50Ω - 3D-2V |
| A03 - 75Ω - RG-179, 187 | A10 - 75Ω - RG-59, 62 | A17 - 50Ω - LMR400, Belden 9913 | A24 - 50Ω - LMR600 | A31 - 50Ω - 1.32mm OD micro | A39 - 50Ω - 5D-2V |
| A04 - 50Ω - RD-316U | A11 - 75Ω - Belden 1505A | A18 - 50Ω - RG-8, 9A, 9, 213, 214 | A25 - 75Ω - Belden 1695A | A32 - 50Ω - 1.37mm OD micro | A40 - 50Ω - 8D-2V |
| A05 - 75Ω - RD-179U | A12 - 75Ω - Belden 8281 | A19 - 75Ω - RG6U, Quad | A26 - 75Ω - Belden 8218 | A33 - 50Ω - 047SR cable | A41 - 50Ω - 5D-FB, LMR300 |
| A06 - 50Ω - RG-58, 58A, 58C, 141, LMR195 | A13 - 75Ω - RG-59U Quad Shield | A20 - 75Ω - RG-11 | A27 - 75Ω - BT-3002 | A34 - 75Ω - FLEX 2 | A42 - 50Ω - 1/4" Superflex |
| A07 - 50Ω - RG-55, 142, 223, 400 | A14 - 75Ω - RG-59U Plenum | A21 - 75Ω - Belden 1694A | A28 - 50Ω - 0885/0885RF, RG-405U | A35 - 75Ω - FLEX 3 | A43 - 50Ω - 1/2" Superflex |

Right Angle Plug, Crimp

MMM21C-AXXG01

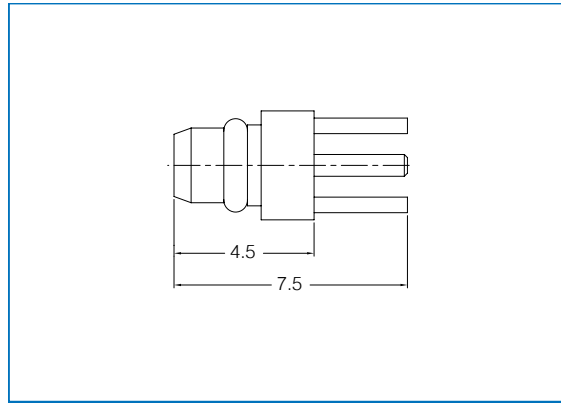
Cable group : [30](#), [31](#), [32](#)



Straight Plug, PCB Mount

MMM11A-TPCG01

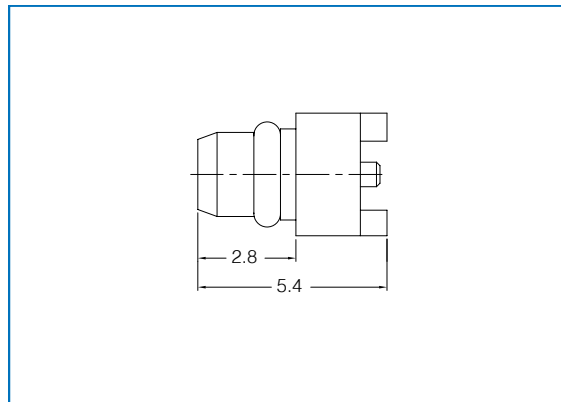
* Mounting hole : "N"



Straight Plug, Surface Mount

MMM11A-SPCG01

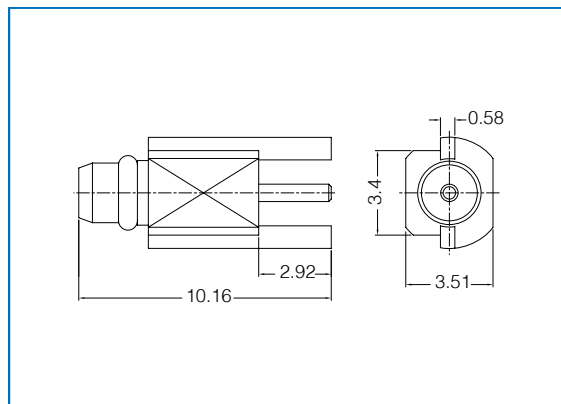
* Mounting Details : "See Drawing"



Straight Plug, Edgecard Mount

MMM11A-EPCG01

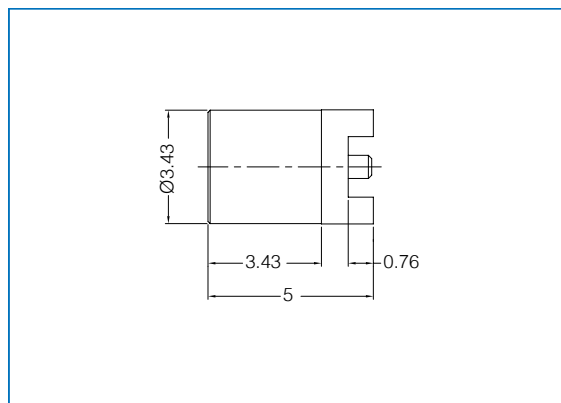
* Mounting Details : "See Drawing"



Straight Jack, PCB Mount

MMF11A-SPCG01

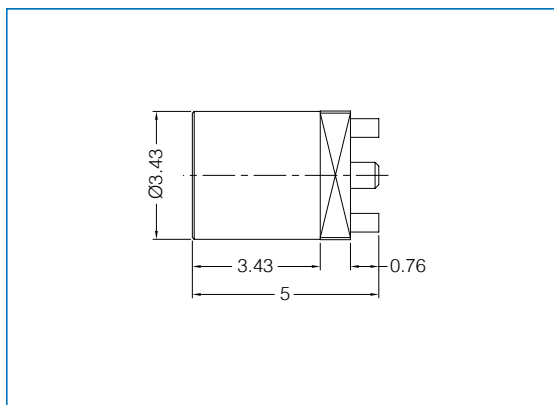
* Mounting Details : "See Drawing"



Straight Jack, Surface Mount Square Base

MMF12A-SPCG01

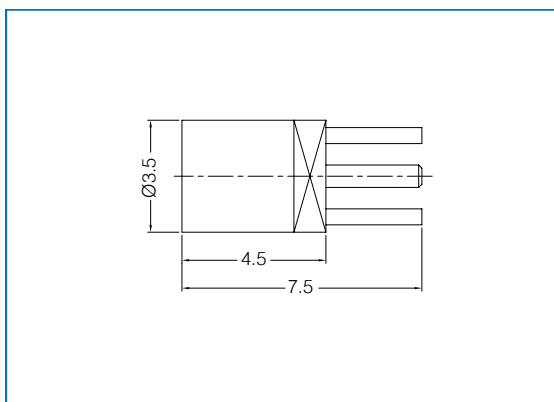
* Mounting Details : "See Drawing"



Straight Jack, PCB Mount Square Base

MMF12A-TPCG01

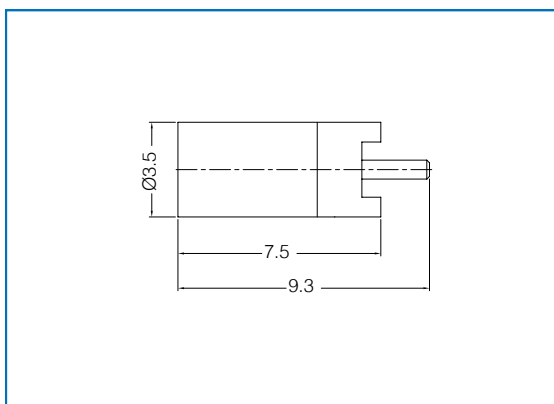
* Mounting Details : "See Drawing"



Straight Jack, PCB Mount Thru' Hole Center Pin

MMF13A-TPCG01

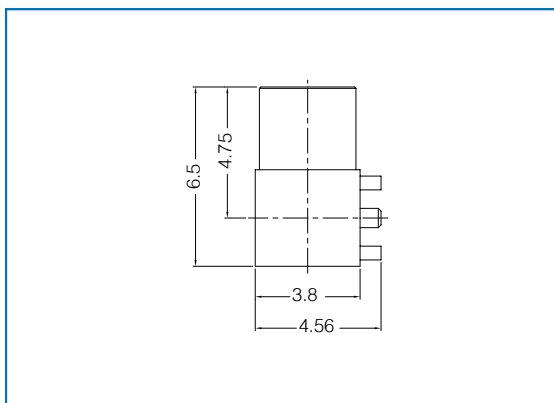
* Mounting Details : "See Drawing"



Right Angle Jack, PCB Surface Mount

MMF21A-SPCG01

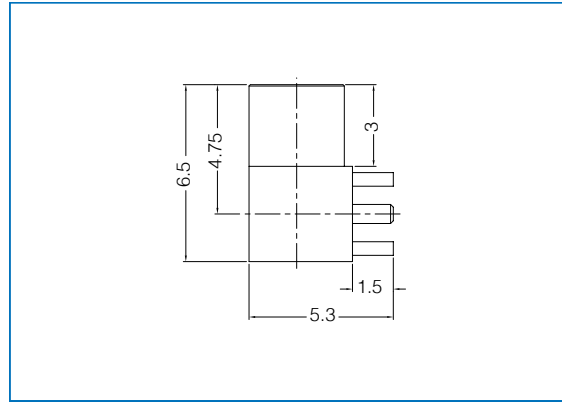
* Mounting Details : "See Drawing"



Right Angle Jack, PCB Mount

MMF21A-TPCG01

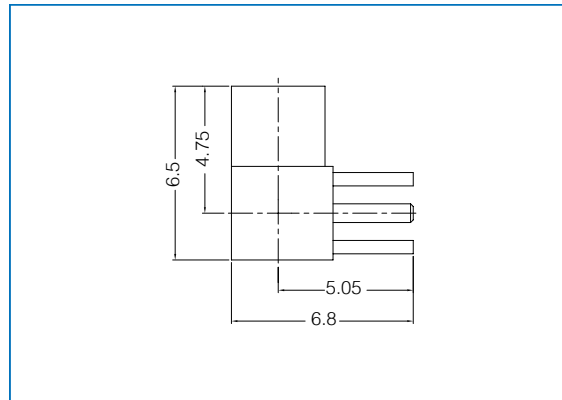
* Mounting Details : “See Drawing”



Right Angle Jack, PCB Mount

MMF21B-TPCG01

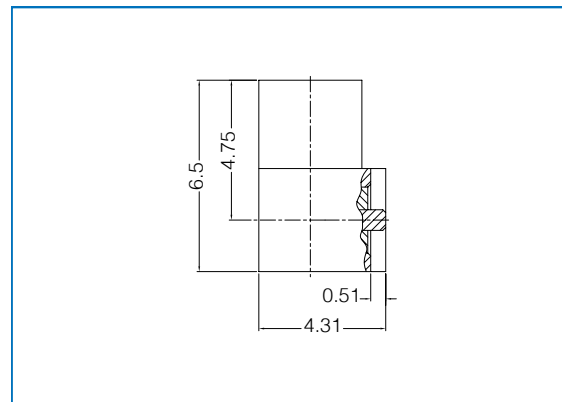
* Mounting hole : “N”



**Right Angle Jack, PCB Mount
Modified Surface Mount**

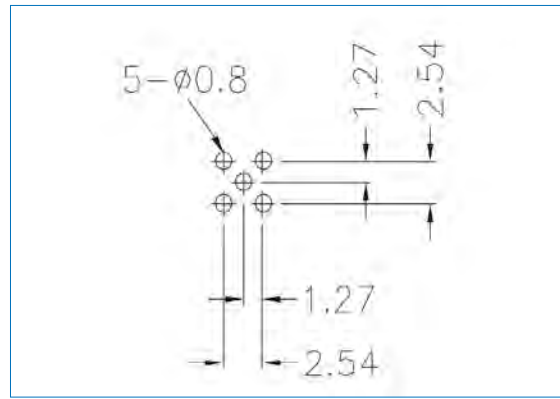
MMF22A-SPCG01

* Mounting Details : “See Drawing”



PCB Layouts

Layout-N



MCX Series - M5 (50 Ω) / M7 (75 Ω)



MCX

FEATURES :

- Push-on / pull-off mating
- Weight and space saving
- Available for both 50Ω and 75Ω
- Compliant to CECC22220
- 30% Smaller than SMB

APPLICATIONS :

- Base Stations
- Power Amplifiers
- Instrumentation
- Broadband Modules
- Cellular & GPS
- Wireless Network Antennas

ELECTRICAL SPECIFICATIONS

<u>Impedance</u>	<u>50 Ω / 75 Ω</u>
<u>Frequency Range</u>	<u>0 – 6 GHz / 0-3 GHz</u>
<u>Working Voltage</u>	<u>\leq 335 VRMS at sea level</u>
<u>Dielectric Withstanding Voltage</u>	<u>100 VRMS at sea level</u>
<u>VSWR</u>	<u>Straight : 1.3 max</u>
	<u>Right Angle : 1.5 max</u>
<u>Contact Resistance</u>	<u>Center Contact : \leq 5 mΩ</u>
	<u>Outer Contact : \leq 2.5 mΩ</u>
<u>Insulator Resistance</u>	<u>1000 MΩ min.</u>

MATERIAL SPECIFICATIONS

<u>Body and outer contacts</u>	<u>Brass, gold plated</u>
<u>Male contact</u>	<u>Brass, gold plated</u>
<u>Female contact</u>	<u>Beryllium Copper, gold plated</u>
<u>Insulator</u>	<u>PTFE</u>
<u>Crimp ferrule</u>	<u>Copper or brass, gold plated</u>

MECHANICAL SPECIFICATIONS

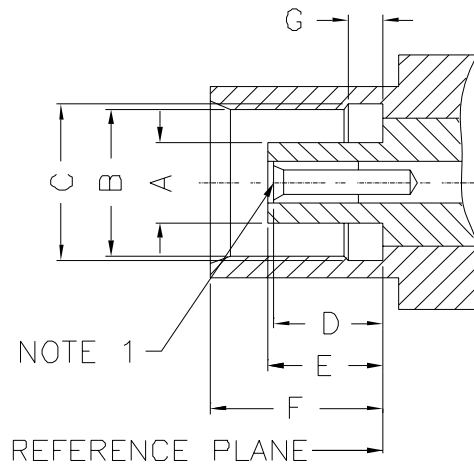
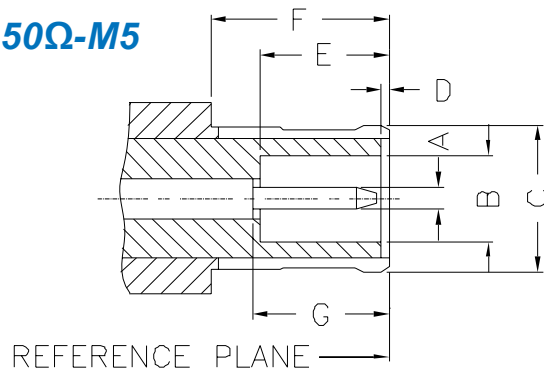
<u>Contact Retention</u>	<u>\geq 2.3 lbs</u>
<u>Engagement Force</u>	<u>\leq 5.6 lbs</u>
<u>Disengagement Force</u>	<u>\geq 2.3 lbs</u>
<u>Durability (matings)</u>	<u>500 cycles min.</u>

ENVIRONMENTAL

<u>Temperature Range</u>	<u>-55°C to +155°C</u>
--------------------------	------------------------

INTERFACE MATING DIMENSIONS

50Ω-M5

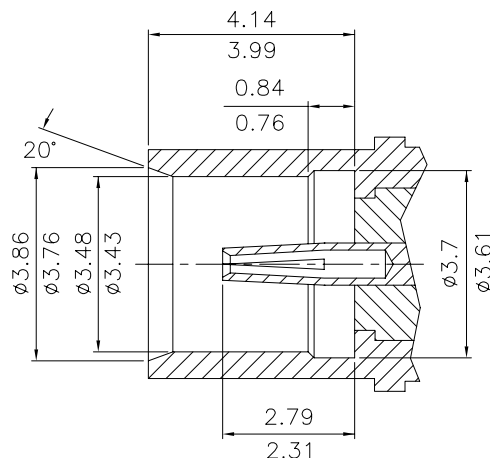
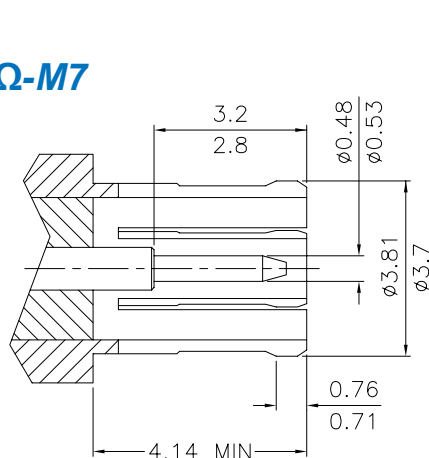


PLUG		
Letter	Millimeters	
	Minimum	Maximum
A	0.48	0.53
B	2.00	2.07
C	3.66	3.76
D	0.00	0.30
E	2.81	3.20
F	4.16	-
G	2.81	3.20

JACK		
Letter	Millimeters	
	Minimum	Maximum
A	1.80	1.97
B	3.43	3.48
C	3.61	3.75
D	2.31	2.79
E	2.61	2.79
F	4.00	4.12
G	0.75	0.85

Note 1 : I.D. to meet VSWR and contact resistance when mated with 0.48/0.53 mm dia. pin.

75Ω-M7



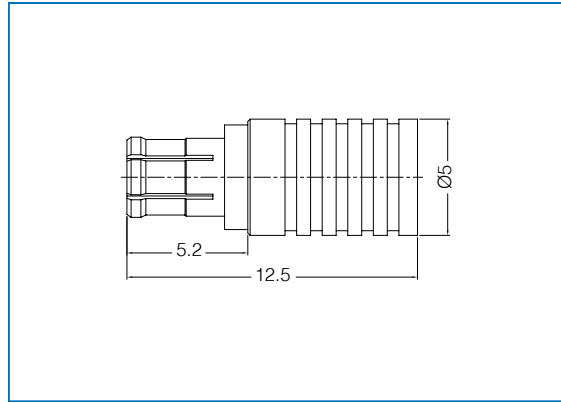
MCX

**Termination Plug
1 Watt**

MYM11A-TERG01

Impedance $Y = 5 = 50 \text{ Ohm}$

$Y = 7 = 75 \text{ Ohm}$



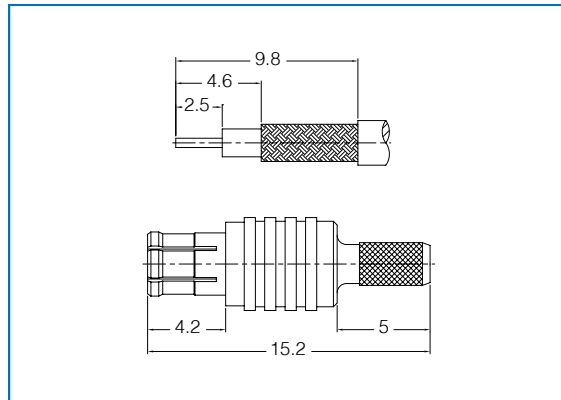
Straight Plug, Crimp

MYM11A-AXXG01

Cable group : 01, 02, 03, 04, 05, 06

Impedance $Y = 5 = 50 \text{ Ohm}$

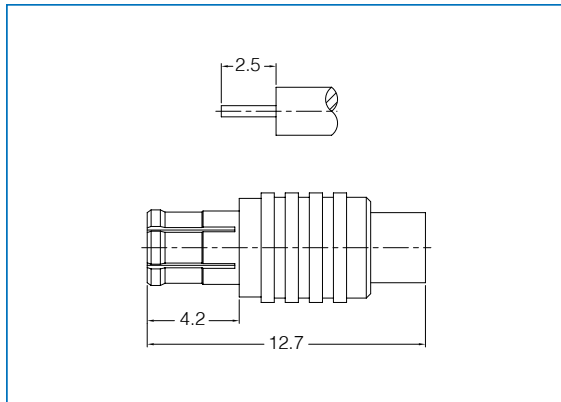
$Y = 7 = 75 \text{ Ohm}$



Straight Plug, Solder

M5M11B-AXXG01

Cable group : 28, 29, 33



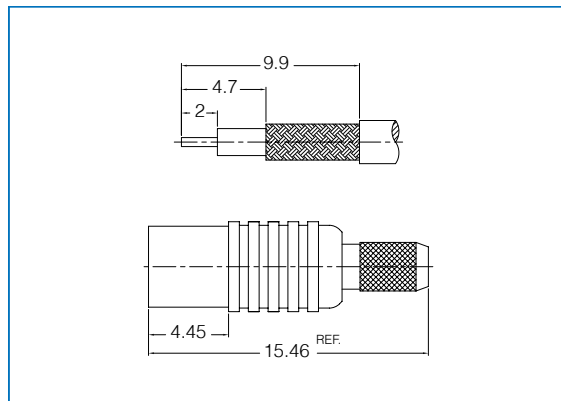
Straight Jack, Crimp

MYF11A-AXXG01

Cable group : 01, 02, 03, 04, 05, 06

Impedance $Y = 5 = 50 \text{ Ohm}$

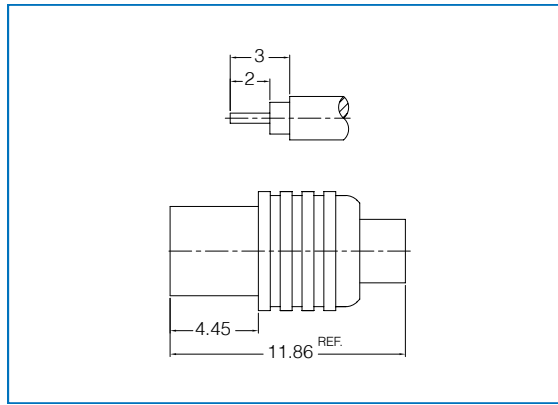
$Y = 7 = 75 \text{ Ohm}$



Straight Jack, Solder

M5F11B-AXXG01

Cable group : [28](#), [29](#), [33](#)



Cable Groups

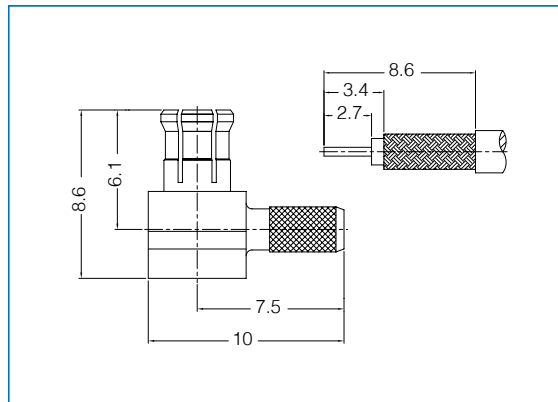
Right Angle Plug, Crimp

MYM21A-AXXG01

Cable group : [01](#), [02](#), [03](#), [04](#), [05](#), [06](#)

Impedance $Y = 5 = 50 \text{ Ohm}$

$Y = 7 = 75 \text{ Ohm}$

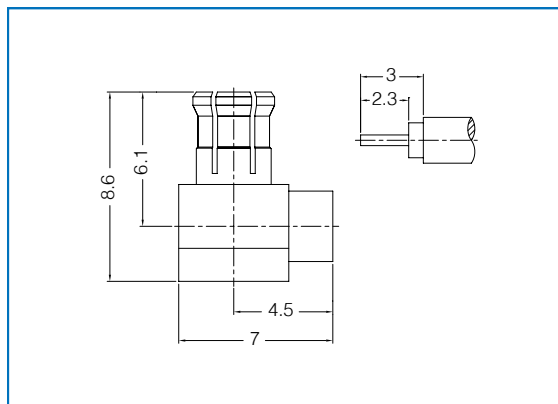


- A01 - 50Ω - RG-178, 196
- A02 - 50Ω - RG-174, 188A, 316, LMR100
- A03 - 75Ω - RG-179, 187
- A04 - 50Ω - RD-316U
- A05 - 75Ω - RD-179U
- A06 - 50Ω - RG-58, 58A, 58C, 141, LMR195
- A07 - 50Ω - RG-55, 142, 223, 400
- A08 - 50Ω - LMR200
- A09 - 50Ω - RG-59U Plenum
- A10 - 75Ω - RG-59, 62
- A11 - 75Ω - Belden 1505A
- A12 - 75Ω - Belden 8281
- A13 - 75Ω - RG-59U Quad Shield
- A14 - 75Ω - RG-59U Plenum

Right Angle Plug, Solder

M5M21B-AXXG01

Cable group : [28](#), [29](#), [33](#)



- A15 - 75Ω - RG-6
- A16 - 50Ω - 8X, LMR240
- A17 - 50Ω - LMR400, Belden 9913
- A18 - 50Ω - RG-8, 8A, 9, 213, 214
- A19 - 75Ω - RG6U, Quad
- A20 - 75Ω - RG-11
- A21 - 75Ω - Belden 1694A
- A22 - 75Ω - AT&T 734A
- A23 - 75Ω - AT&T 735A
- A24 - 50Ω - LMR600
- A25 - 75Ω - Belden 1695A
- A26 - 75Ω - Belden 8218
- A27 - 75Ω - BT-3002
- A28 - 50Ω - 0885, 0885RF, RG-405U

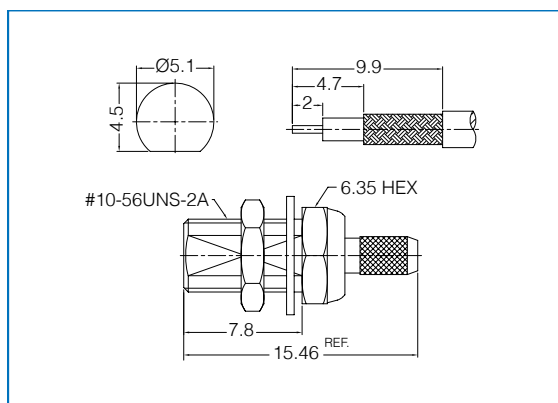
Bulkhead Crimp Jack

MYF31A-AXXG01

Cable group : [01](#), [02](#), [03](#), [04](#), [05](#), [06](#)

Impedance $Y = 5 = 50 \text{ Ohm}$

$Y = 7 = 75 \text{ Ohm}$

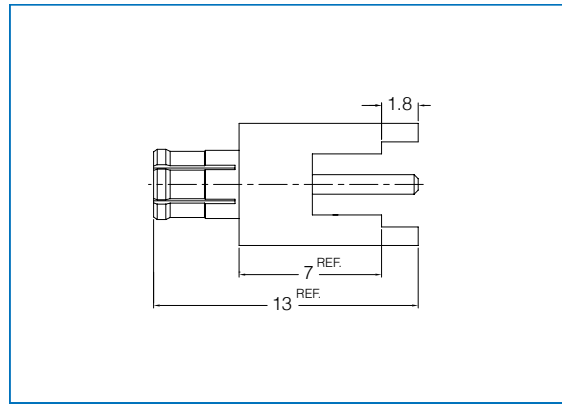


- A29 - 50Ω - 141SR, RG-402U
- A30 - 50Ω - 1.13mm OD micro
- A31 - 50Ω - 1.32mm OD micro
- A32 - 50Ω - 1.37mm OD micro
- A33 - 50Ω - 047SR cable
- A34 - 75Ω - FLEX 2
- A35 - 75Ω - FLEX 3
- A37 - 75Ω - FLEX 5
- A38 - 50Ω - 3D-2V
- A39 - 50Ω - 5D-2V
- A40 - 50Ω - 8D-2V
- A41 - 50Ω - 5D-FB, LMR300
- A42 - 50Ω - 1/4" Superflex
- A43 - 50Ω - 1/2" Superflex

**Straight Plug, PCB Mount
High Mount**

M5M11B-TPCG01

* Mounting hole : "B"



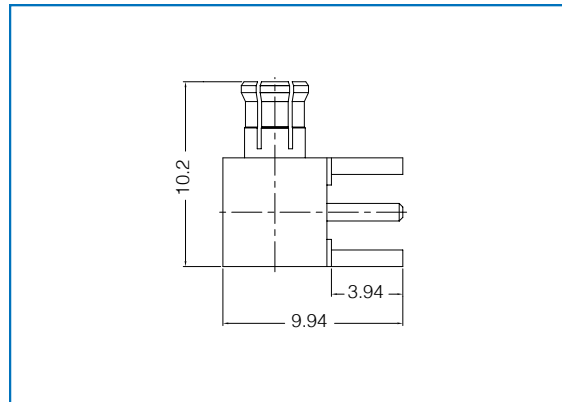
Right Angle Plug, PCB Mount

MYM21A-TPCG01

* Mounting hole : "B"

Impedance $\gamma = 5 = 50 \text{ Ohm}$

$\gamma = 7 = 75 \text{ Ohm}$



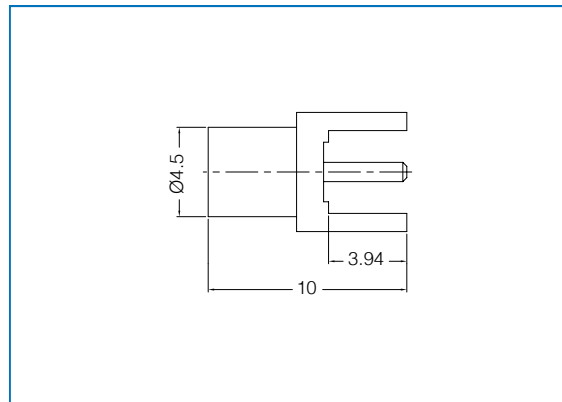
Straight Jack, PCB Mount

MYF11A-TPCG01

* Mounting hole : "B"

Impedance $\gamma = 5 = 50 \text{ Ohm}$

$\gamma = 7 = 75 \text{ Ohm}$



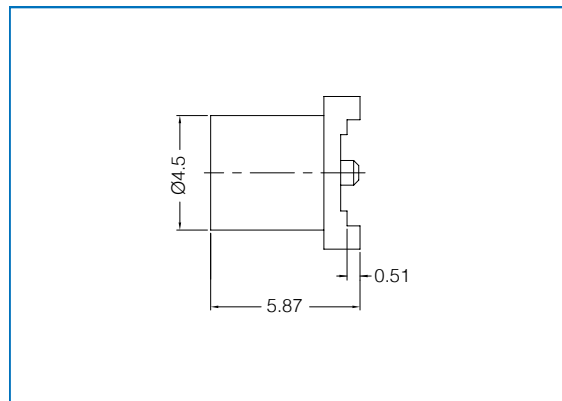
**Straight Jack,
PCB Surface Mount**

MYF11A-SPCG01

* Mounting Details : "B1"

Impedance $\gamma = 5 = 50 \text{ Ohm}$

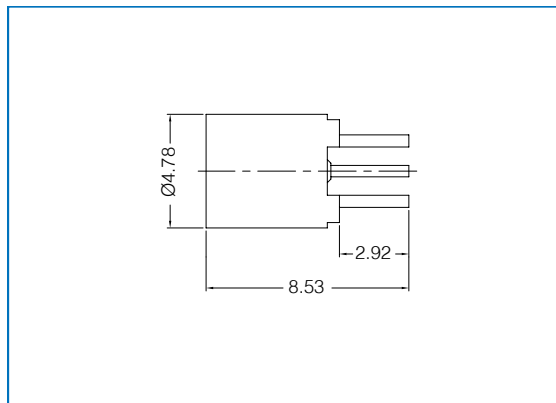
$\gamma = 7 = 75 \text{ Ohm}$



**Straight Jack, PCB Mount
Funnel Interface**

M5F12A-TPCG01

* Mounting hole : "B"



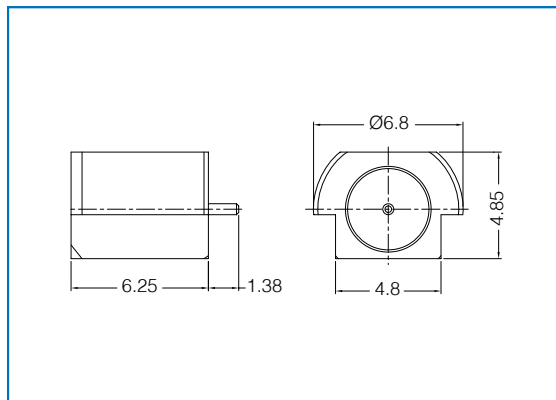
Straight Jack, Edgecard Mount

MYF11A-EPCG01

* Mounting Details : "See Drawing"

Impedance $Y = 5 = 50 \text{ Ohm}$

$Y = 7 = 75 \text{ Ohm}$



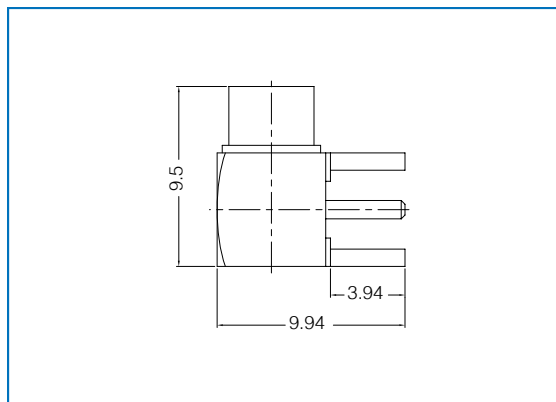
Right Angle Jack, PCB Mount

MYF21A-TPCG01

* Mounting hole : "B"

Impedance $Y = 5 = 50 \text{ Ohm}$

$Y = 7 = 75 \text{ Ohm}$



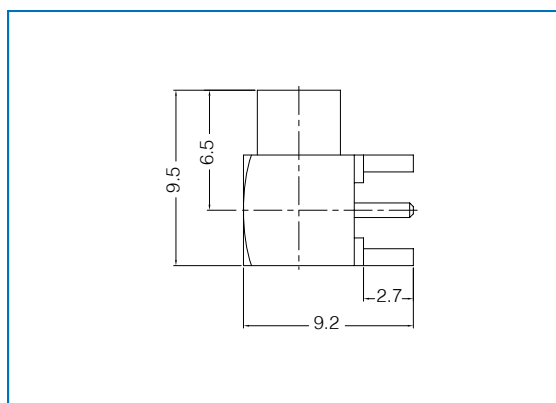
**Right Angle Jack, PCB Mount
Thin Board Version**

MYF21B-TPCG01

* Mounting hole : "B"

Impedance $Y = 5 = 50 \text{ Ohm}$

$Y = 7 = 75 \text{ Ohm}$



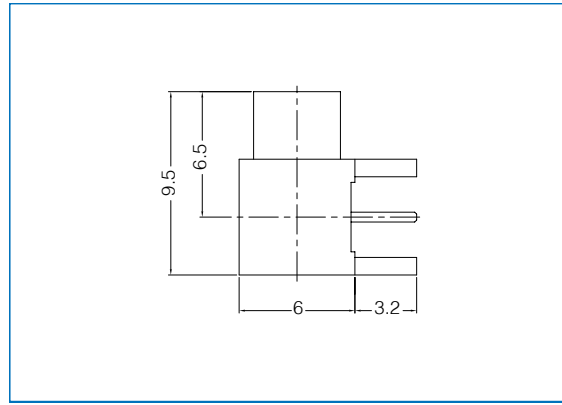
**Right Angle Jack, PCB Mount
Low Profile Version**

MYF21C-TPCG01

* Mounting hole : "B"

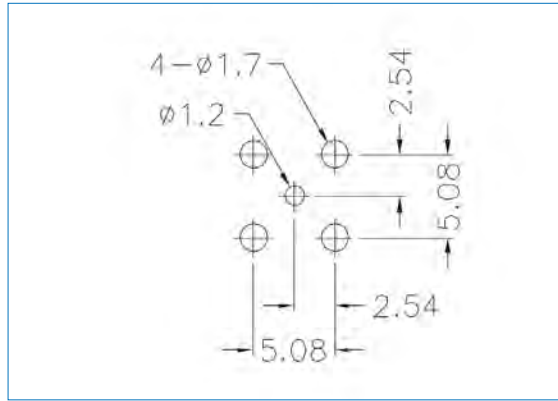
Impedance $Y = 5 = 50 \text{ Ohm}$

$Y = 7 = 75 \text{ Ohm}$

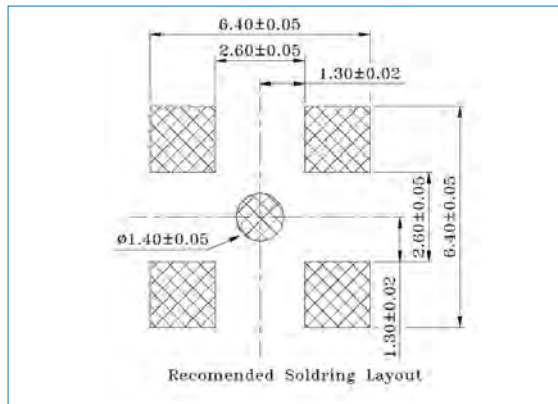


PCB Layouts

Layout-B



Layout-B1



ELECTRICAL SPECIFICATIONS

Impedance	50 Ω
Frequency Range	0 – 12.4 GHz (flexible cable) 0 – 18 GHz (semi-rigid cable)
Working Voltage	\leq 335 VRMS (flexible cable) \leq 500 VRMS (semi-rigid cable)
Dielectric Withstanding Voltage	1000 VRMS (flexible cable) 1500 VRMS (semi-rigid cable)
VSWR	Straight : 1.15 max Right Angle : 1.2 max
Contact Resistance	Center Contact : \leq 2 m Ω Outer Contact : \leq 2 m Ω
Insulator Resistance	5000 M Ω min.

MATERIAL SPECIFICATIONS

Body and outer contacts	Brass, gold plated
Male contact	Brass, gold plated
Female contact	Beryllium Copper, gold plated
Insulator	PTFE
Crimp ferrule	Copper or brass, nickel or gold plated

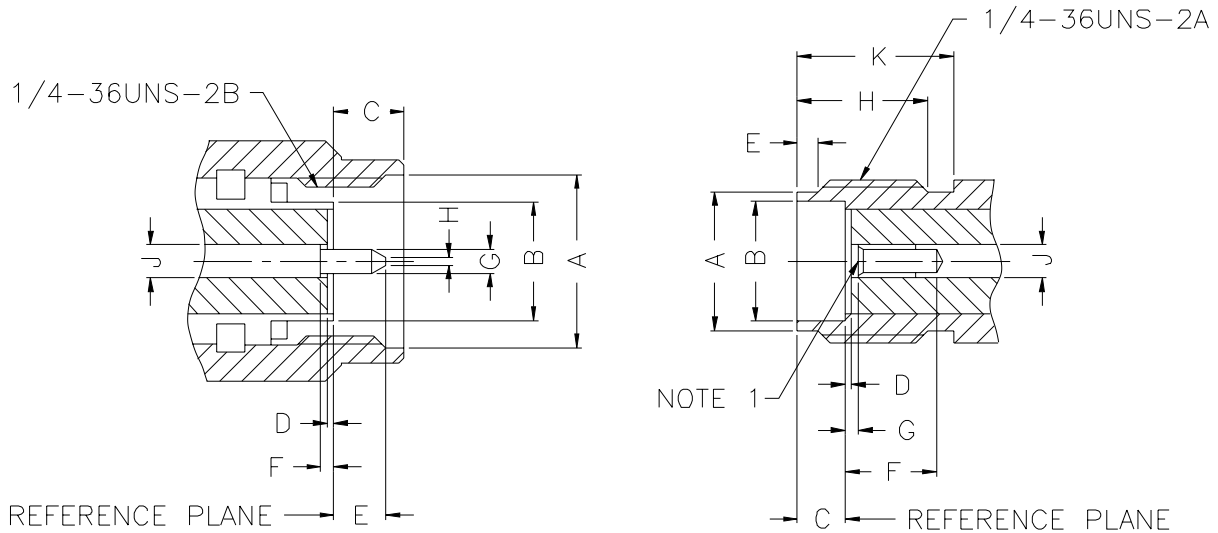
MECHANICAL SPECIFICATIONS

Coupling mating torque	7 – 15 in-lbs (80 – 170 N-cm)
Cable Retention	60 lbs min. (flexible cable) 80 lbs min. (semi-rigid cable)
Durability (matings)	500 cycles min.

ENVIRONMENTAL

Temperature Range	-65°C to +165°C
-------------------	-----------------

INTERFACE MATING DIMENSIONS



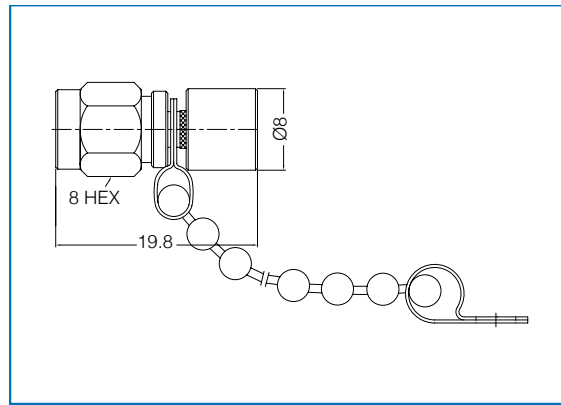
PLUG		
Letter	Millimeters	
	Minimum	Maximum
A	6.35	6.73
B	4.53	4.59
C	2.54	3.43
D	0.00	0.25
E	1.91	2.54
F	0.00	0.25
G	0.90	0.94
H	0.00	0.38
J	1.24	1.30

JACK		
Letter	Millimeters	
	Minimum	Maximum
A	5.28	5.49
B	4.60	4.67
C	1.88	1.98
D	0.00	0.25
E	0.38	1.14
F	2.92	-
G	0.00	0.25
H	4.32	-
J	1.24	1.30
K	5.54	-

Note 1 : I.D. to meet VSWR and contact resistance when mated with 0.9/0.94 mm dia. pin.

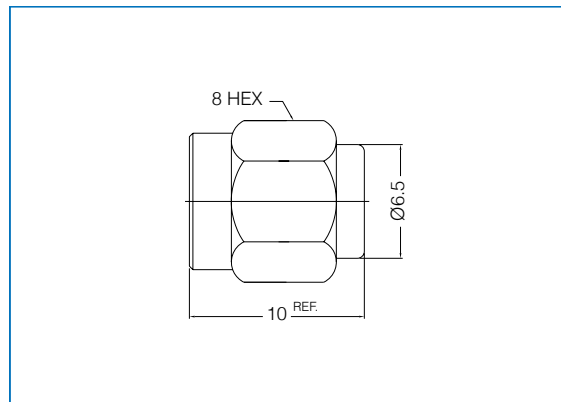
Terminator Plug with Chain
1/2 Watt

SAM11A-TERG01



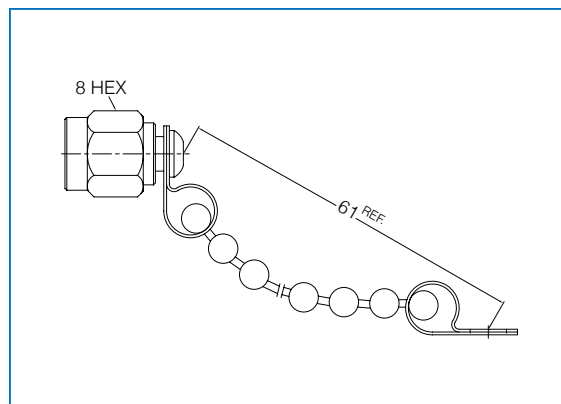
Terminator Plug
Chip Resistor 1/4Watt

SAM11B-TERG01



Male Cap with Chain

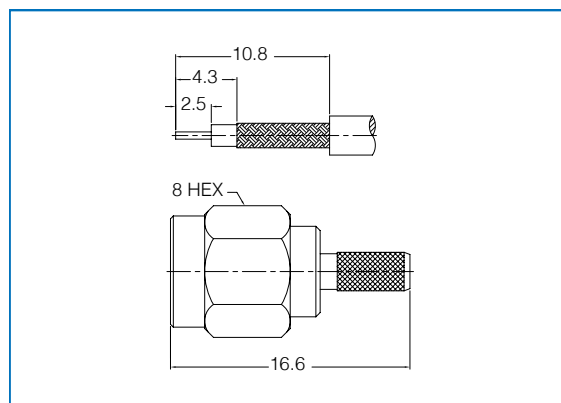
SAM11C-TERG01



Straight Plug, Crimp

SAM11A-AXXG01

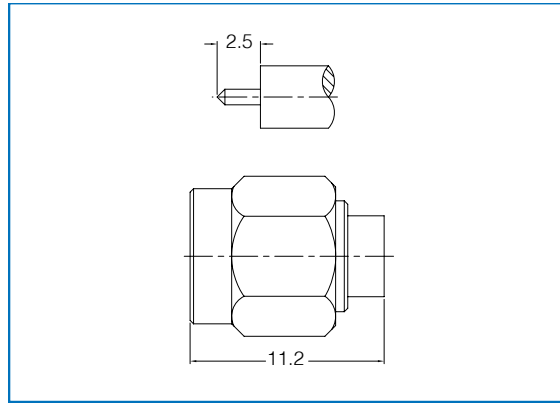
Cable group : 02, 04, 06, 07, 08, 16



Straight Plug, Solder

SAM11B-**AXX**G01

Cable group : [28](#), [29](#), [33](#)

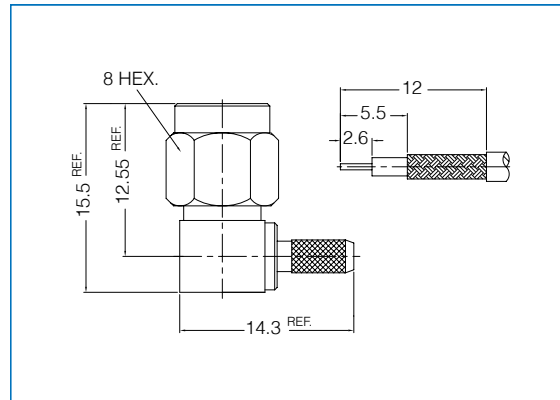


Cable Groups

Right Angle Plug, Crimp

SAM21A-**AXX**G01

Cable group : [01](#), [02](#), [04](#), [06](#), [07](#), [08](#),
[16](#), [17](#)

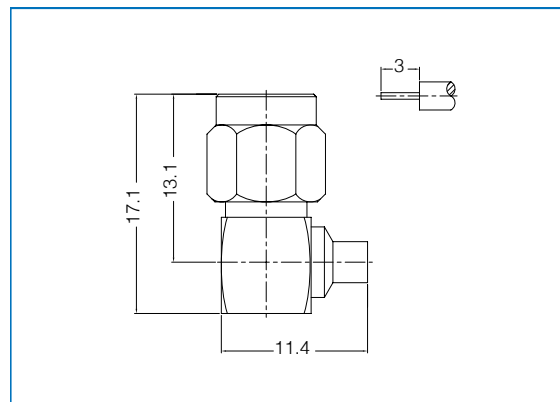


A01 - 500 - RG-178, 196
A02 - 500 - RG-174, 188A, 316, LMR100
A03 - 750 - RG-179, 187
A04 - 500 - RD-316U
A05 - 750 - RD-179U
A06 - 500 - RG-58, 58A, 58C, 141, LMR195
A07 - 500 - RG-55, 142, 223, 400
A08 - 500 - LMR200
A09 - 500 - RG-59U Plenum
A10 - 750 - RG-59, 62
A11 - 750 - Belden 1505A
A12 - 750 - Belden 8281
A13 - 750 - RG-59U Quad Shield
A14 - 750 - RG-59U Plenum

Right Angle Plug, Solder

SAM21B-**AXX**G01

Cable group : [28](#), [29](#), [33](#)

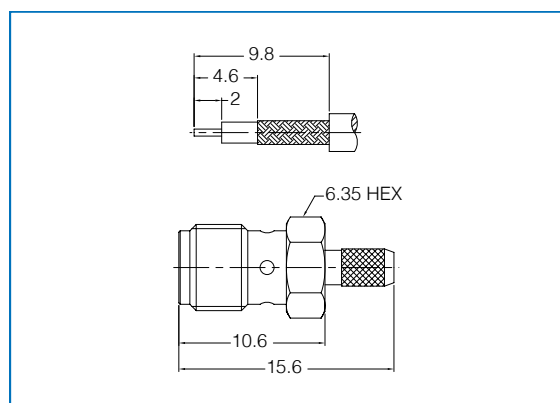


A15 - 750 - RG-6
A16 - 500 - 8X, LMR240
A17 - 500 - LMR400, Belden 9913
A18 - 500 - RG-8, 9A, 9, 213, 214
A19 - 750 - RG6U Quad
A20 - 750 - RG-11
A21 - 750 - Belden 1694A
A22 - 750 - AT&T 734A
A23 - 750 - AT&T 735A
A24 - 500 - LMR600
A25 - 750 - Belden 1696A
A26 - 750 - Belden 8218
A27 - 750 - BT-3002
A28 - 500 - 0885/0885RF, RG-405U

Straight Jack, Crimp

SAF11A-**AXX**G01

Cable group : [02](#), [04](#), [06](#), [07](#), [08](#), [16](#)

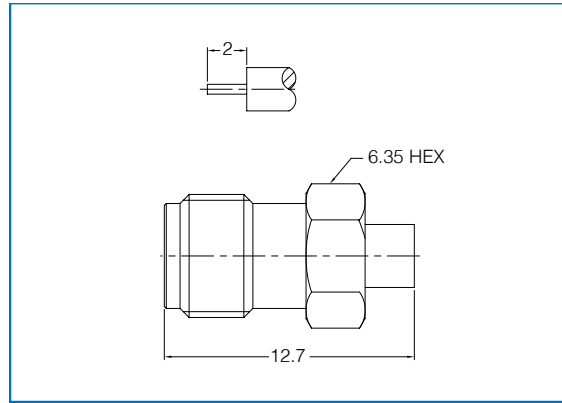


A29 - 500 - 141SR, RG-402U
A30 - 500 - 1.13mm OD micro
A31 - 500 - 1.32mm OD micro
A32 - 500 - 1.37mm OD micro
A33 - 500 - 047SR cable
A34 - 500 - FLEX 2
A35 - 750 - FLEX 3
A37 - 750 - FLEX 5
A38 - 500 - 30-2V
A39 - 500 - 50-2V
A40 - 500 - 80-2V
A41 - 500 - 50-FB, LMR300
A42 - 500 - 1/4" Superflex
A43 - 500 - 1/2" Superflex

Straight Jack, Solder

SAF11B-AXXG01

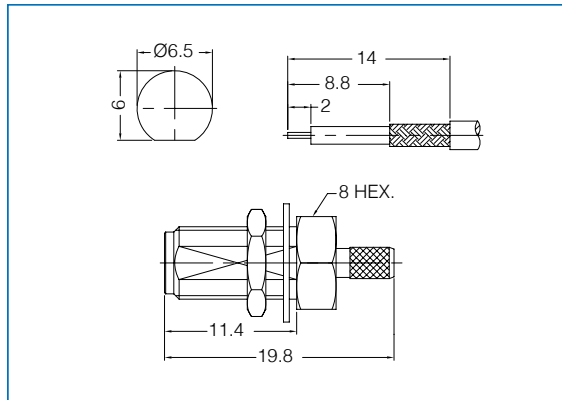
Cable group : [28](#), [29](#), [33](#)



Bulkhead Jack, Crimp

SAF31A-AXXG01

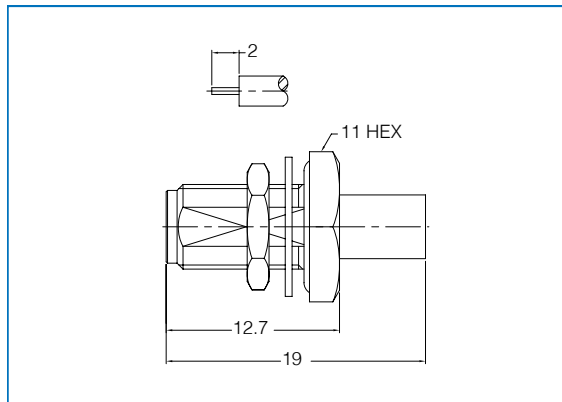
Cable group : [02](#), [04](#), [06](#), [08](#), [16](#), [30](#),
[31](#), [32](#)



Bulkhead Jack, Solder

SAF31B-AXXG01

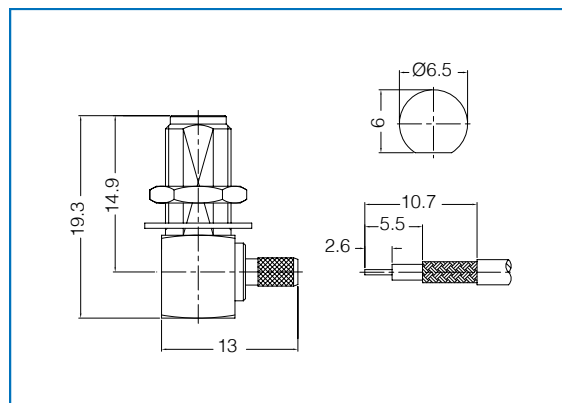
Cable group : [28](#), [29](#), [33](#)



Right Angle Bulkhead Jack, Crimp

SAF32A-AXXG01

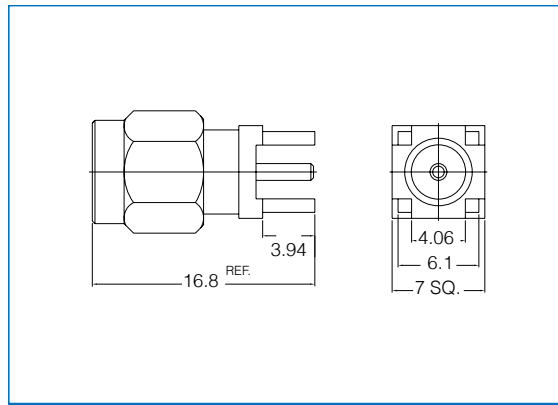
Cable group : [01](#), [02](#), [04](#), [06](#), [07](#), [08](#)



Straight Plug, PCB Mount

SAM11A-TPCG01

* Mounting hole : "A"



Cable Groups

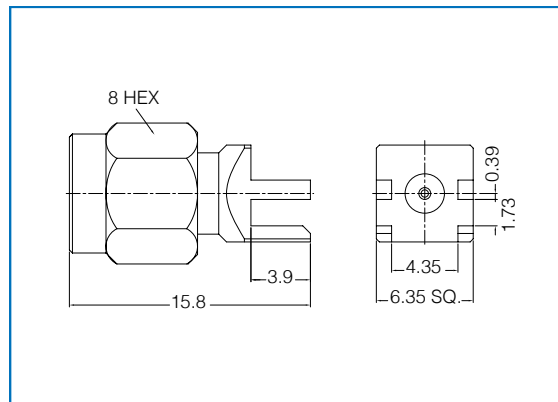
A01 - 50Ω - RG-178, 196	A08 - 50Ω - LMR200	A15 - 75Ω - RG-6	A22 - 75Ω - AT&T 734A	A29 - 50Ω - 141SR - RG-402U	A37 - 75Ω - FLEX 5
A02 - 50Ω - RG-174, 188A, 316, LMR100	A09 - 50Ω - RG-59U Plenum	A16 - 50Ω - 8X - LMR240	A23 - 75Ω - AT&T 735A	A30 - 50Ω - 1.13mm OD micro	A38 - 50Ω - 3D-2V
A03 - 75Ω - RG-179, 187	A10 - 75Ω - RG-59, 62	A17 - 50Ω - LMR400, Belden 9913	A24 - 50Ω - LMR800	A31 - 50Ω - 1.32mm OD micro	A39 - 50Ω - 5D-2V
A04 - 50Ω - RD-316U	A11 - 75Ω - Belden 1505A	A18 - 50Ω - RG-8, 9A, 9, 213, 214	A25 - 75Ω - Belden 1696A	A32 - 50Ω - 1.37mm OD micro	A40 - 50Ω - 8D-2V
A05 - 75Ω - RD-179U	A12 - 75Ω - Belden 8281	A19 - 75Ω - RG6U, Quad	A26 - 75Ω - Belden 8218	A33 - 50Ω - 047SR cable	A41 - 50Ω - 5D-FB, LMR300
A06 - 50Ω - RG-58, 58A, 58C, 141, LMR195	A13 - 75Ω - RG-59U Quad Shield	A20 - 75Ω - RG-11	A27 - 75Ω - BT-3002	A34 - 75Ω - FLEX 2	A42 - 50Ω - 1/4" Superflex
A07 - 50Ω - RG-55, 142, 223, 400	A14 - 75Ω - RG-59U Plenum	A21 - 75Ω - Belden 1694A	A28 - 50Ω - 0885/0885RF, RG-405U	A35 - 75Ω - FLEX 3	A43 - 50Ω - 1/2" Superflex

SMA

Straight Plug, End Launch

SAM11A-EPCG01

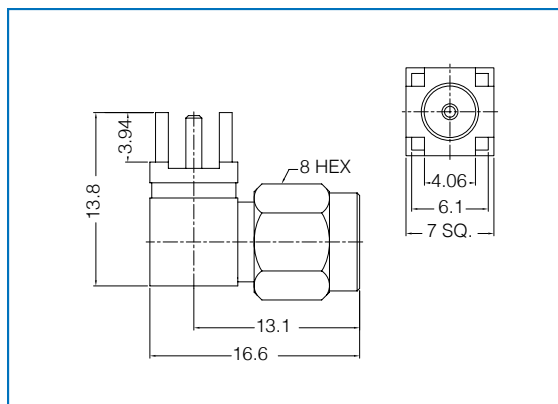
* Mounting Layout : "See Drawing"



Right Angle Plug, PCB Mount

SAM21A-TPCG01

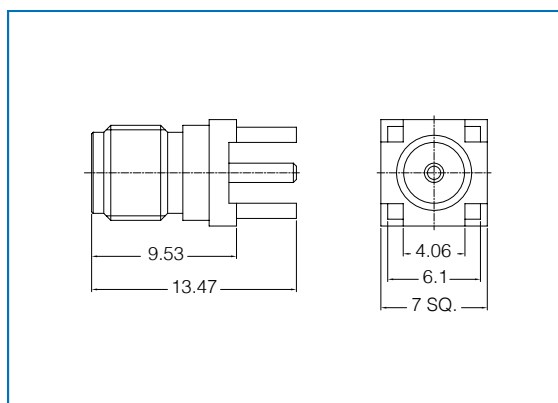
* Mounting hole : "A"



Straight Jack, PCB Mount

SAF11A-TPCG01

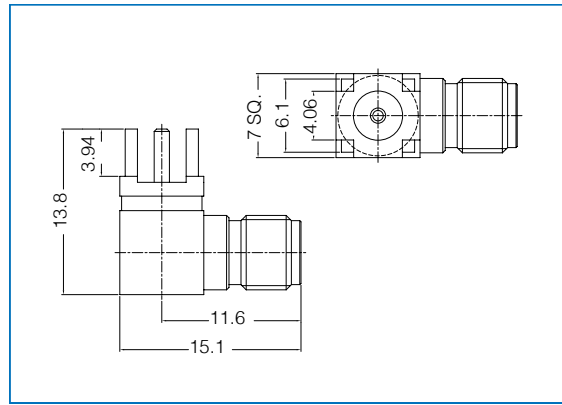
* Mounting hole : "A"



Right Angle Jack, PCB Mount

SAF21A-TPCG01

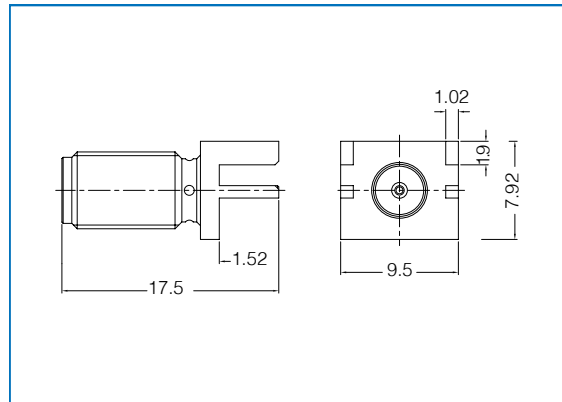
* Mounting hole : "A"



Straight Jack, End Launch

SAF11A-EPCG01

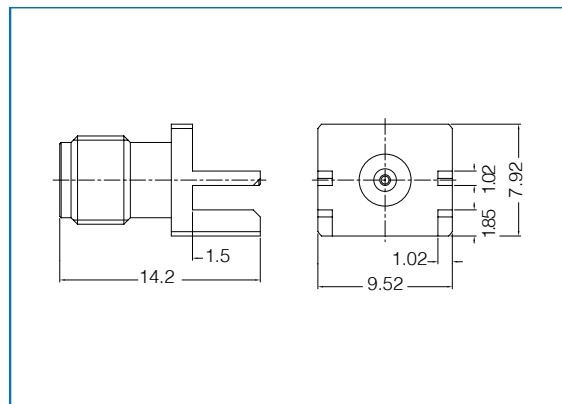
* Mounting Layout : "See Drawing"



Straight Jack, End Launch

SAF12A-EPCG01

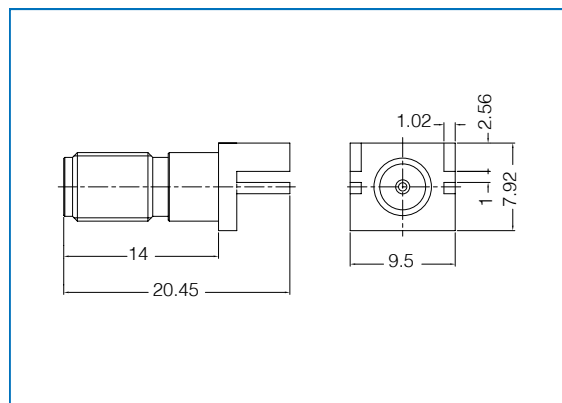
* Mounting Layout : "See Drawing"



Straight Jack, End Launch

SAF13A-EPCG01

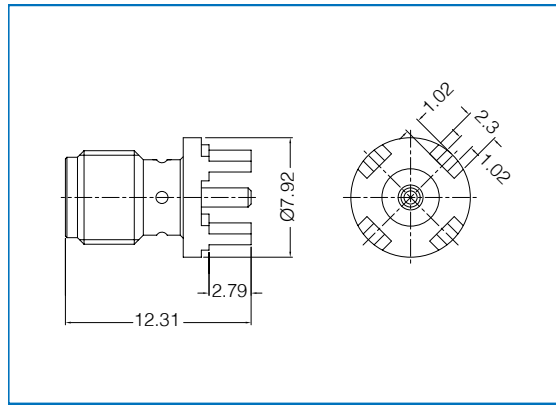
* Mounting Layout : "See Drawing"



Straight Jack, PCB Mount

SAF12A-TPCG01

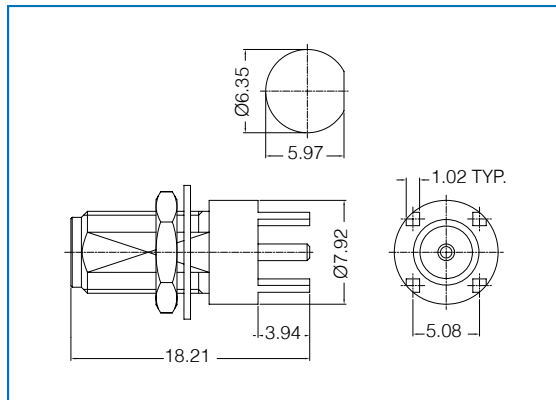
* Mounting hole : "A"



Straight Bulkhead Jack, PCB Mount

SAF31A-TPCG01

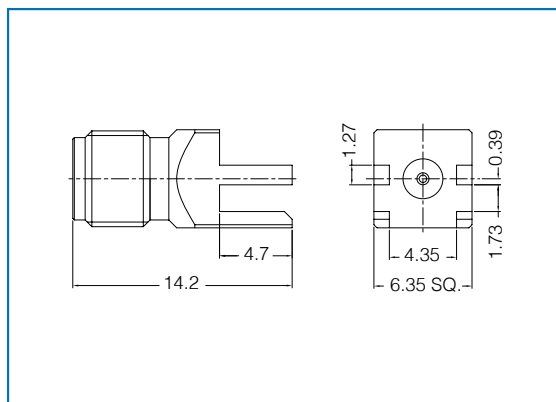
* Mounting hole : "A"



Straight Jack, End Launch

SAF12B-EPCG01

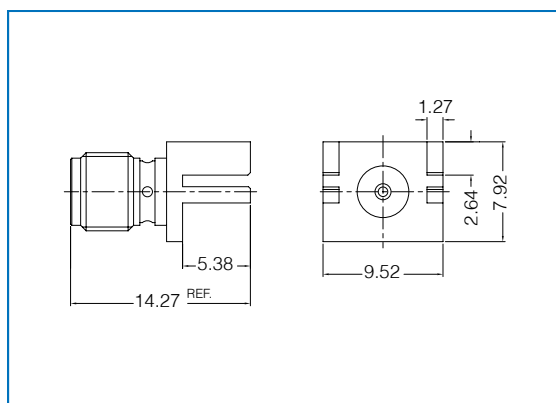
* Mounting Layout : "See Drawing"



Straight Jack, End Launch

SAF12C-EPCG01

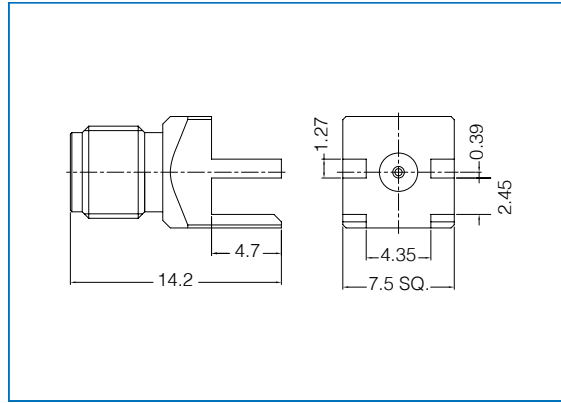
* Mounting Layout : "See Drawing"



Straight Jack, End Launch

SAF12D-EPCG01

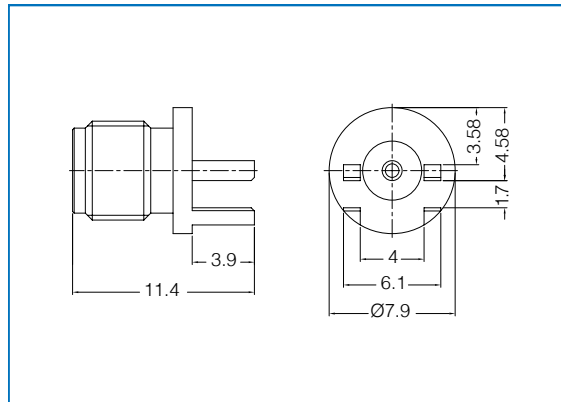
* Mounting Layout : "See Drawing"



Straight Jack, End Launch

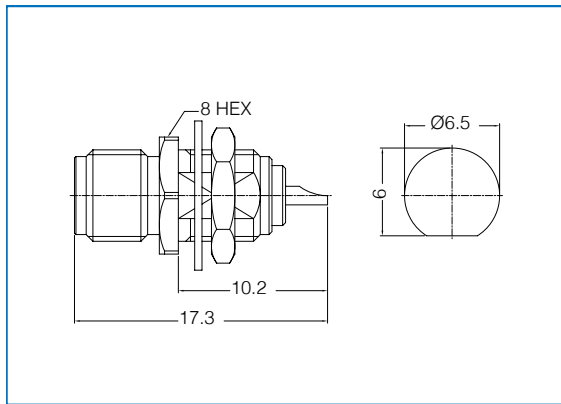
SAF14A-EPCG01

* Mounting Layout : "See Drawing"



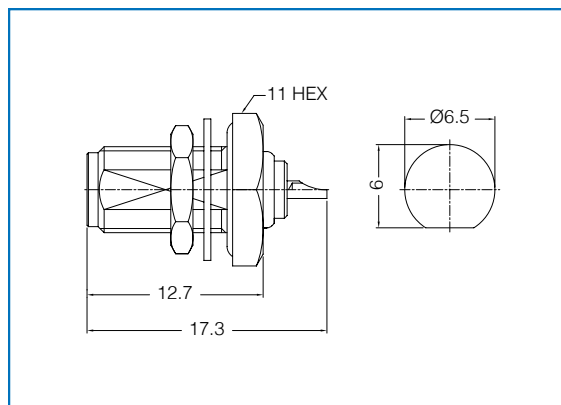
Bulkhead Jack Receptacle, Front Mount

SAF31A-RECG01

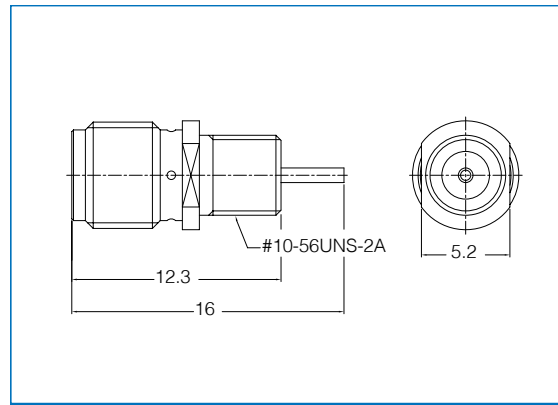


Bulkhead Jack Receptacle, Rear Mount

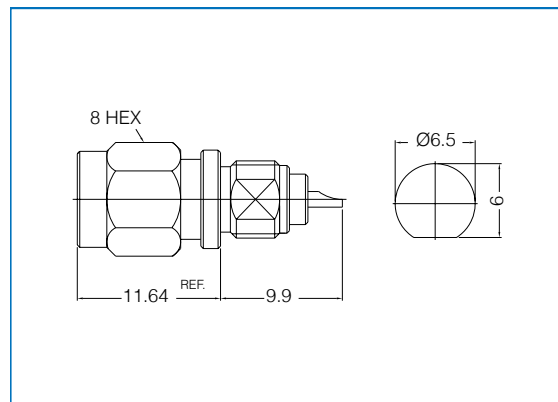
SAF32A-RECG01



**Bulkhead Jack Receptacle,
Front Mount**
SAF33A-RECG01



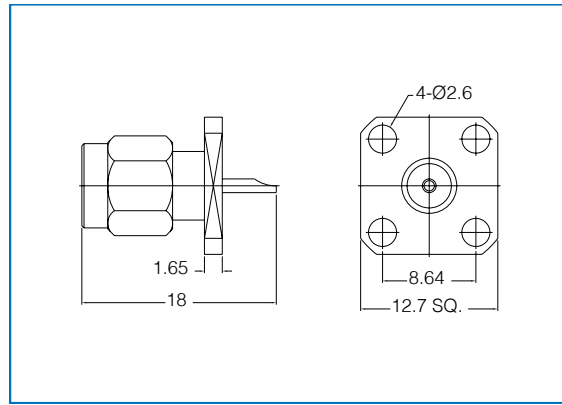
Bulkhead Plug Receptacle
SAM31A-RECG01



SMA

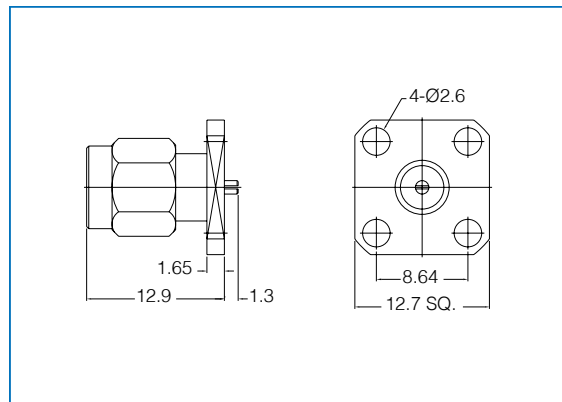
**Panel Mount Plug Receptacle,
4 Hole SQ Flange**

SAM41A-4HLG01



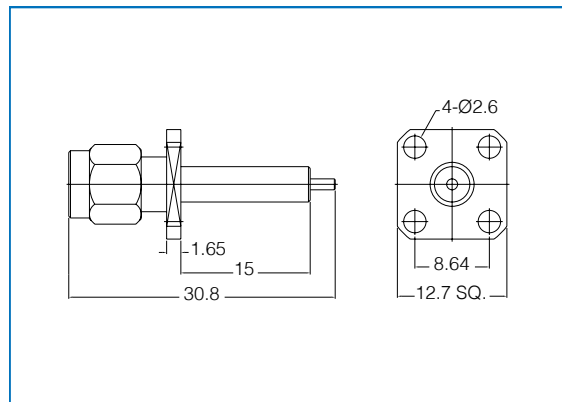
**Panel Mount Plug Receptacle,
4 Hole SQ Flange**

SAM41B-4HLG01



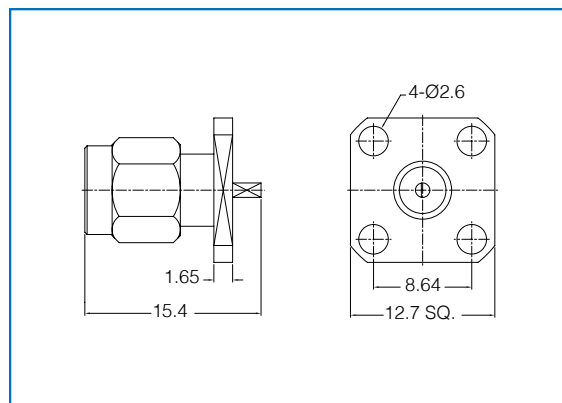
**Panel Mount Plug Receptacle,
4 Hole Flange - Exposed TFE Type**

SAM41C-4HLG01



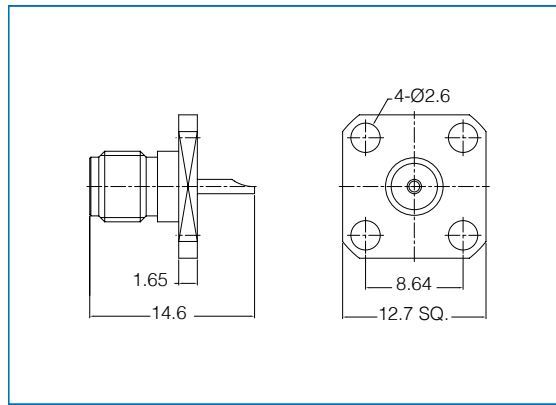
**Panel Mount Plug Receptacle,
4 Hole SQ Flange**

SAM41D-4HLG01



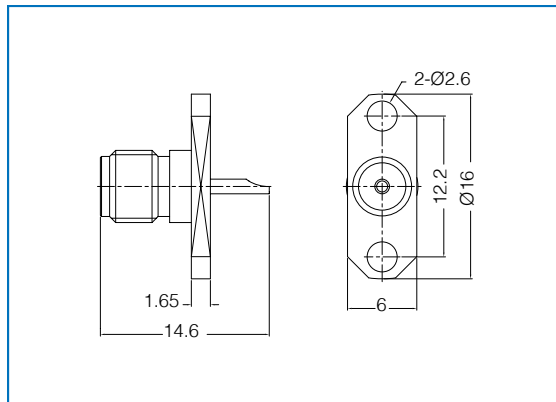
**Panel Mount Jack Receptacle,
4 Hole Flange**

SAF41A-4HLG01



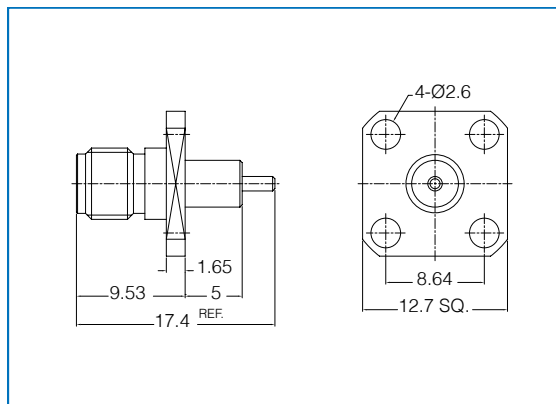
**Panel Mount Jack Receptacle,
2 Hole Flange**

SAF41A-2HLG01



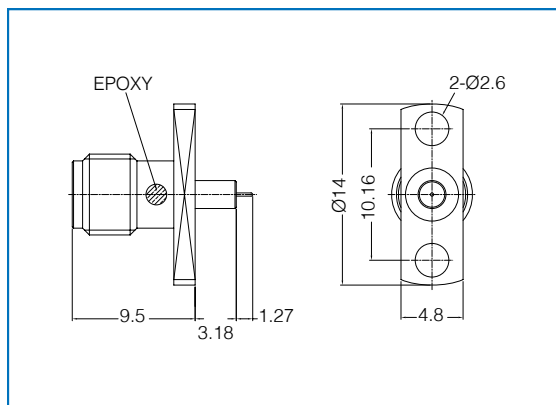
**Panel Mount Jack Receptacle,
4 Hole Flange**

SAF41B-4HLG01



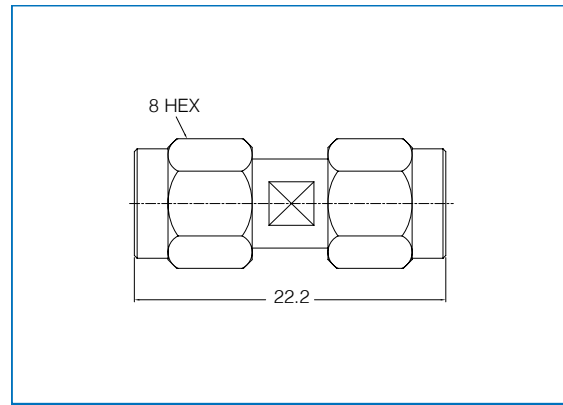
**Panel Mount Jack Receptacle,
2 Hole Flange**

SAF42A-2HLG01



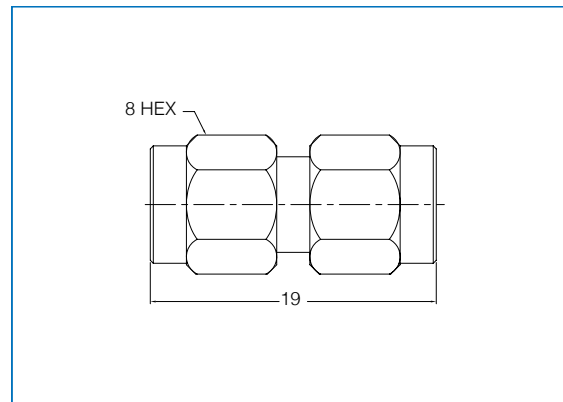
Adapter, Plug to Plug

SAM11A-ADPG01



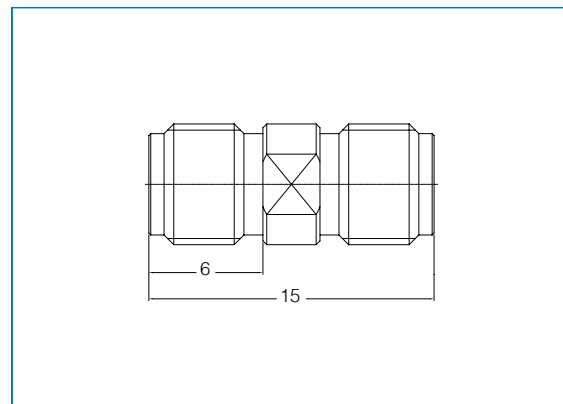
Adapter, Plug to Plug

SAM12A-ADPG01



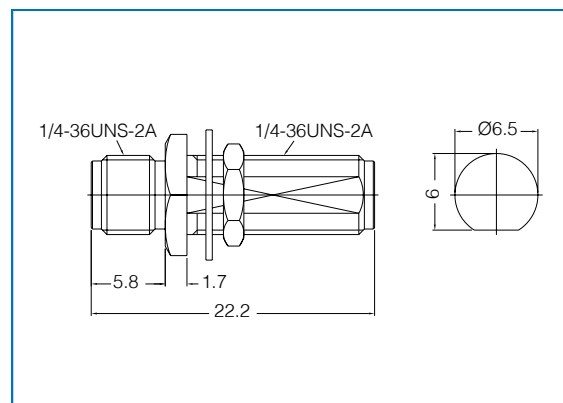
Adapter, Jack to Jack

SAF11A-ADPG01



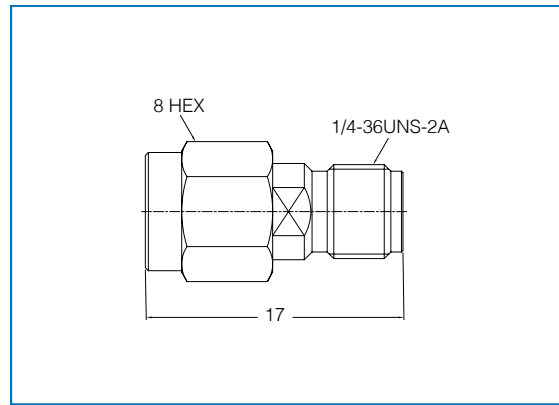
Bulkhead Adapter, Jack to Jack

SAF31A-ADPG01



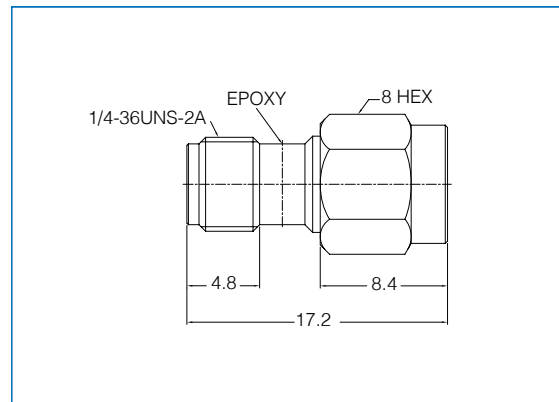
Adapter, Plug to Jack

SAA11A-ADPG01



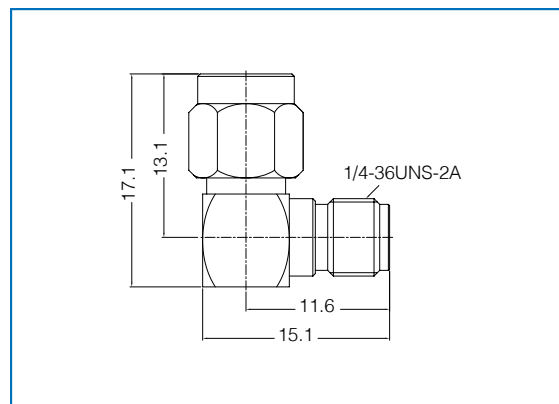
Adapter, Plug to Jack with Epoxy

SAA12A-ADPG01



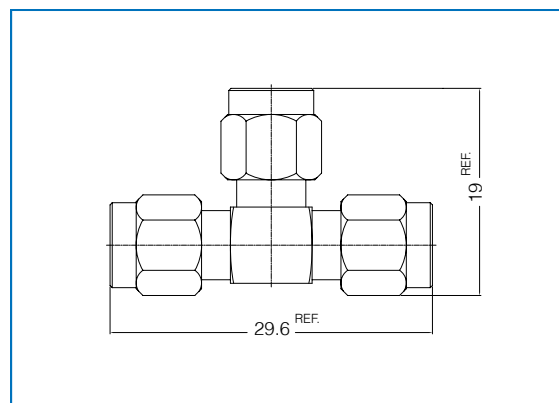
Right Angle Adapter, Plug to Jack

SAA21A-ADPG01

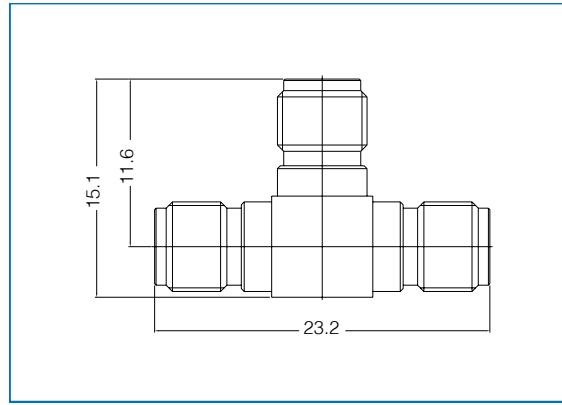


“T” Adapter, Plug to Plug to Plug

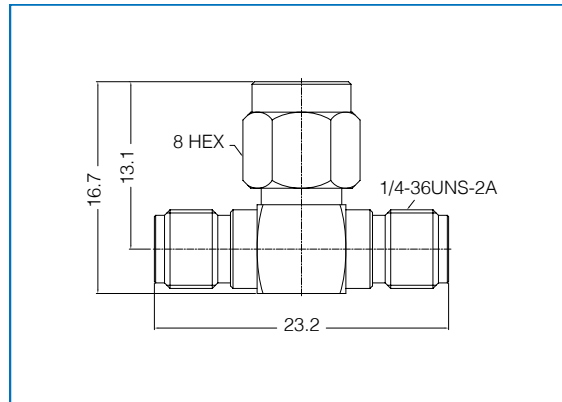
SAM51A-ADPG01



**“T” Adapter,
Jack to Jack to Jack**
SAF51A-ADPG01

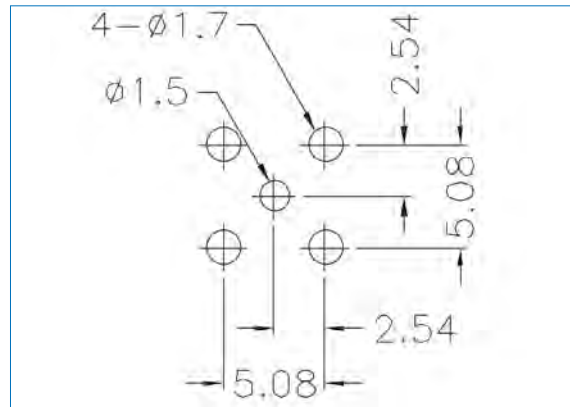


**“T” Adapter,
Jack to Plug to Jack**
SAA51A-ADPG01



PCB Layouts

Layout-A



SMB Series - B5 (50 Ω) / B7 (75 Ω)



SMB

FEATURES :

- Snap-on / quick disconnect mating
- Good retention when mated
- Available in 50 Ω and mini 75 Ω
- Available in Nickel or Gold
- Many common cable options

APPLICATIONS :

- Base Stations
- Automotive
- Test and Measurement
- Broadband Nodes
- Cable Assemblies
- Wireless Network Antennas
- Video System

ELECTRICAL SPECIFICATIONS

<u>Impedance</u>	<u>50 Ω / mini 75 Ω</u>
<u>Frequency Range</u>	<u>0 – 4 GHz / 0 – 2 GHz</u>
<u>Working Voltage</u>	<u>\geq 250 VRMS</u>
<u>Dielectric Withstanding Voltage</u>	<u>1000 VRMS at sea level</u>
<u>VSWR</u>	<u>Straight : 1.3 max</u>
	<u>Right Angle : 1.5 max</u>
<u>Contact Resistance</u>	<u>Center Contact : \leq 6 mΩ</u>
	<u>Outer Contact : \leq 1 mΩ</u>
<u>Insulation Resistance</u>	<u>5000 MΩ min.</u>

MATERIAL SPECIFICATIONS

<u>Body</u>	<u>Brass, nickel or gold plated</u>
<u>Outer contacts</u>	<u>Brass, nickel or gold plated</u>
<u>Male contact</u>	<u>Brass, gold plated</u>
<u>Female contact</u>	<u>Beryllium Copper, gold plated</u>
<u>Insulator</u>	<u>PTFE</u>
<u>Crimp ferrule</u>	<u>Copper or brass, nickel or gold plated</u>

MECHANICAL SPECIFICATIONS

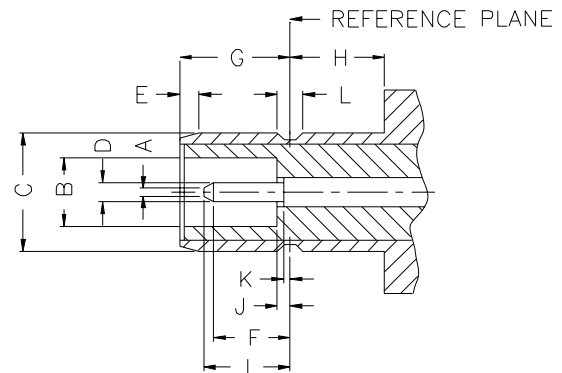
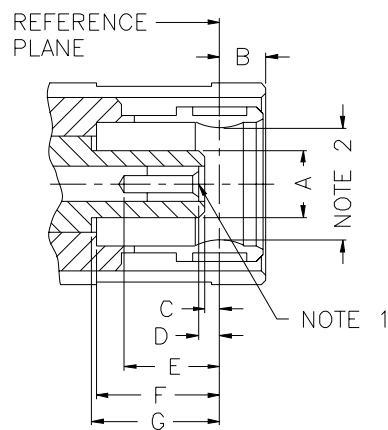
<u>Contact Retention</u>	<u>\geq 4 lbs</u>
<u>Engagement Force</u>	<u>\leq 14 lbs</u>
<u>Disengagement Force</u>	<u>\geq 1.8 lbs</u>
<u>Durability (matings)</u>	<u>500 cycles min.</u>

ENVIRONMENTAL

<u>Temperature Range</u>	<u>-65°C to +165°C</u>
--------------------------	------------------------

INTERFACE MATING DIMENSIONS

50Ω-B5



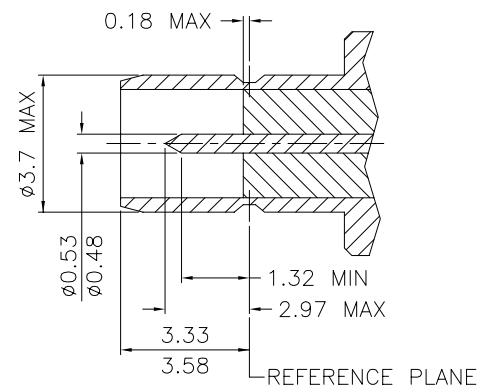
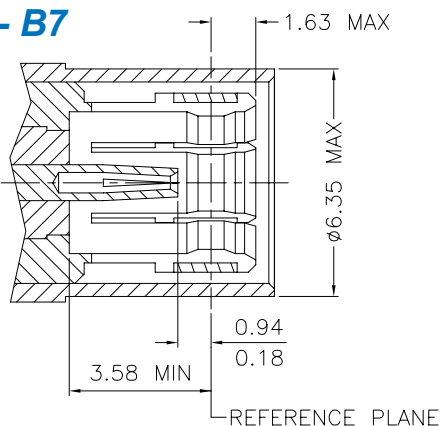
PLUG		
Letter	Millimeters	
	Minimum	Maximum
A	2.00	2.06
B	-	1.62
C	0.18	-
D	0.18	0.94
E	2.97	-
F	3.58	-
G	3.58	-

JACK		
Letter	Millimeters	
	Minimum	Maximum
A	-	0.25
B	2.08	2.16
C	3.66	3.71
D	0.48	0.53
E	0.00	-
F	1.32	-
G	3.33	3.58
H	2.03	-
I	-	2.97
J	-	0.18
K	-	0.18
L	0.69	0.94

Note 1 : I.D. to meet VSWR and contact resistance when mated with 0.48/0.53 mm dia. pin.

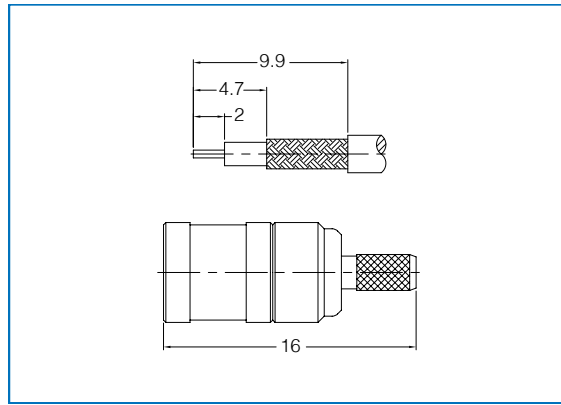
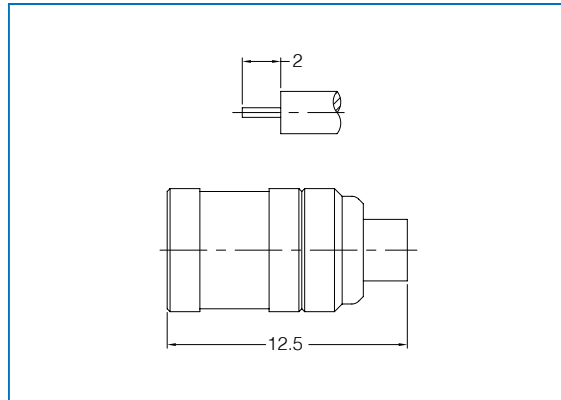
Note 2 : Must meet the force to engage and disengage when mated with mating part.

MINI 75Ω - B7

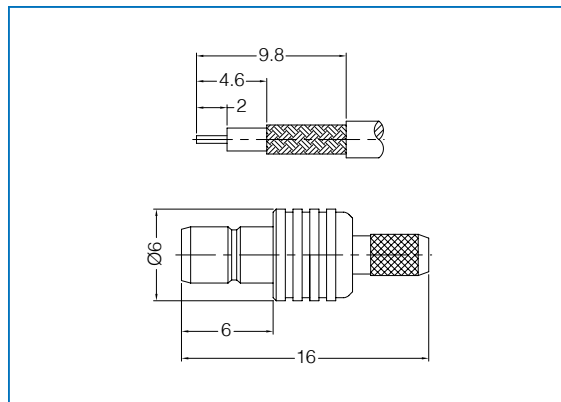
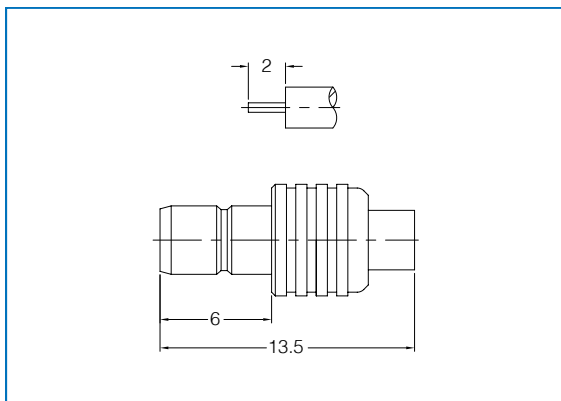


Straight Plug, CrimpBYF11A-AXXG01Cable group : 01, 03, 02, 04, 05, 06

Replace "G" with "N" for Nickel

Impedance Y = 5 = 50 OhmY = 7 = 75 Ohm**Straight Plug, Solder**B5F11B-AXXG01Cable group : 28, 29, 33**Straight Jack, Crimp**BYM11A-AXXG01Cable group : 01, 02, 03, 04, 05, 06

Replace "G" with "N" for Nickel

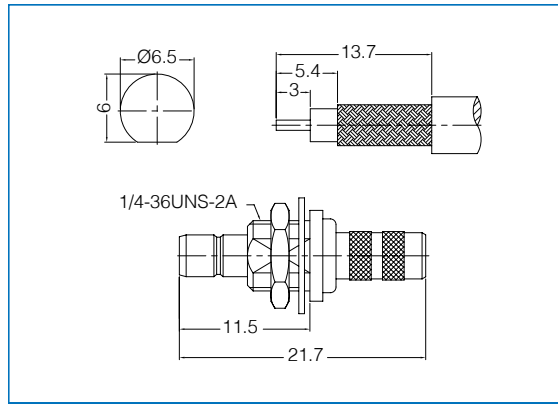
Impedance Y = 5 = 50 OhmY = 7 = 75 Ohm**Straight Jack, Solder**B5M11B-AXXG01Cable group : 28, 29, 33

Bulkhead Jack, Crimp

B5M31A-**AXX**G01

Cable group : [01](#), [02](#), [04](#), [06](#)

Replace "G" with "N" for Nickel

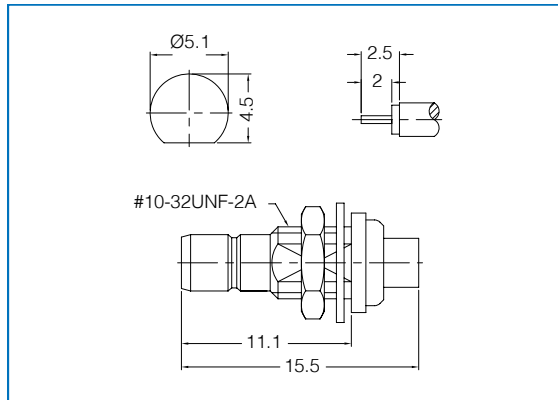


Cable Groups

50Ω Bulkhead Jack, Solder

B5M31B-**AXX**G01

Cable group : [28](#), [29](#), [33](#)

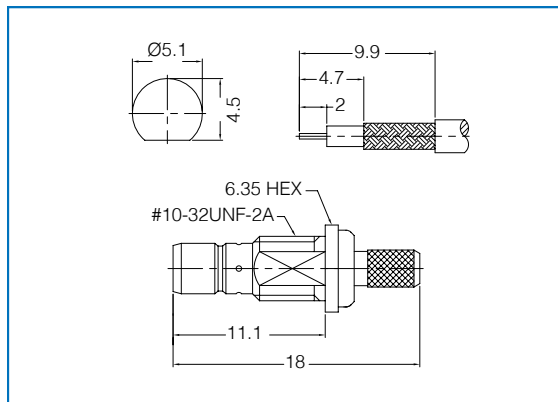


A01 - 50Ω - RG-178, 196	A08 - 50Ω - LMR200	A15 - 75Ω - RG-6	A22 - 75Ω - AT&T 734A	A29 - 50Ω - 1/4"SR, RG-402U	A37 - 75Ω - FLEX 5
A02 - 50Ω - RG-174, 188A, 316, LMR100	A09 - 50Ω - RG-59U Plenum	A16 - 50Ω - 8X, LMR240	A23 - 75Ω - AT&T 735A	A30 - 50Ω - 1.13mm OD micro	A38 - 50Ω - 3D-2V
A03 - 75Ω - RG-179, 187	A10 - 75Ω - RG-59, 62	A17 - 50Ω - LMR400, Belden 9913	A24 - 50Ω - LMR600	A31 - 50Ω - 1.32mm OD micro	A39 - 50Ω - 5D-2V
A04 - 50Ω - RD-316U	A11 - 75Ω - Belden 1505A	A18 - 50Ω - RG-8, 9A, 9, 213, 214	A25 - 75Ω - Belden 1695A	A32 - 50Ω - 1.37mm OD micro	A40 - 50Ω - 8D-2V
A05 - 75Ω - RD-179U	A12 - 75Ω - Belden 8281	A19 - 75Ω - RG6U, Quad	A26 - 75Ω - Belden 8218	A33 - 50Ω - 047SR cable	A41 - 50Ω - 5D-FB, LMR300
A06 - 50Ω - RG-58, 58A, 58C, 141, LMR195	A13 - 75Ω - RG-59U Quad Shield	A20 - 75Ω - RG-11	A27 - 75Ω - BT-3002	A34 - 75Ω - FLEX 2	A42 - 50Ω - 1/4" Superflex
A07 - 50Ω - RG-55, 142, 223, 400	A14 - 75Ω - RG-59U Plenum	A21 - 75Ω - Belden 1694A	A28 - 50Ω - 0885/0885RF, RG-405U	A35 - 75Ω - FLEX 3	A43 - 50Ω - 1/2" Superflex

Bulkhead Jack, Crimp

B7M31A-**AXX**G01

Cable group : [03](#), [05](#)



Right Angle Plug, Crimp

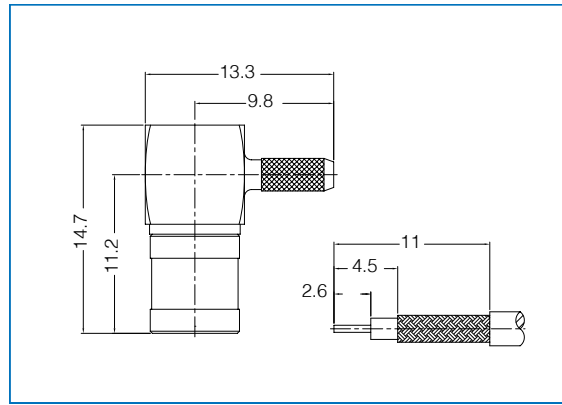
BYF21A-AXXG01

Cable group : 01, 02, 03, 04, 05, 06, 07

Replace "G" with "N" for Nickel

Impedance Y = 5 = 50 Ohm

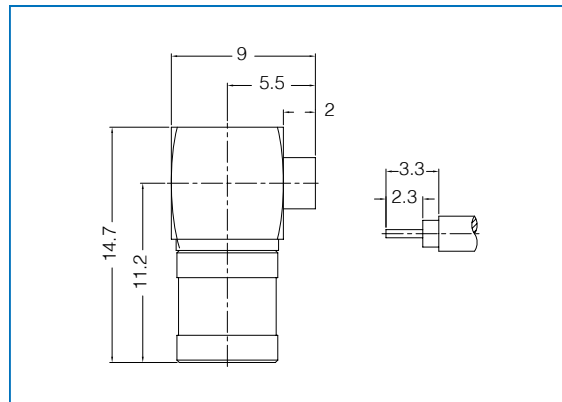
Y = 7 = 75 Ohm



Right Angle Plug, Solder

B5F21B-AXXG01

Cable group : 28, 29, 33



Right Angle Jack, Crimp

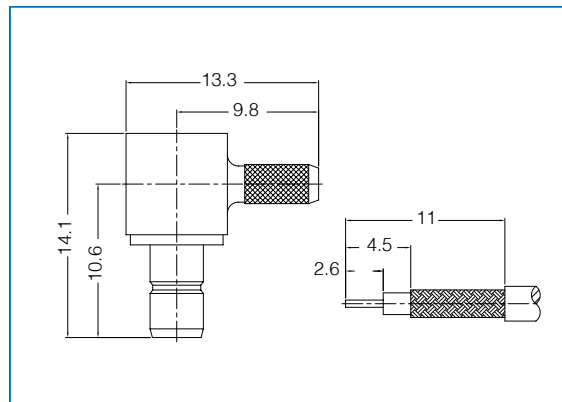
BYM21A-AXXG01

Cable group : 01, 02, 03, 04, 05, 06

Replace "G" with "N" for Nickel

Impedance Y = 5 = 50 Ohm

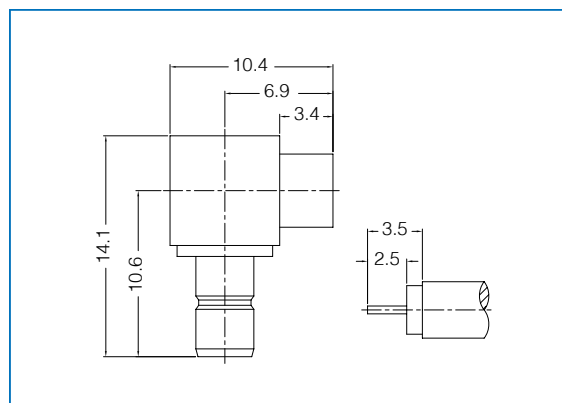
Y = 7 = 75 Ohm



Right Angle Jack, Solder

B5M21B-AXXG01

Cable group : 28, 29, 33



Right Angle Bkhd Jack, Crimp

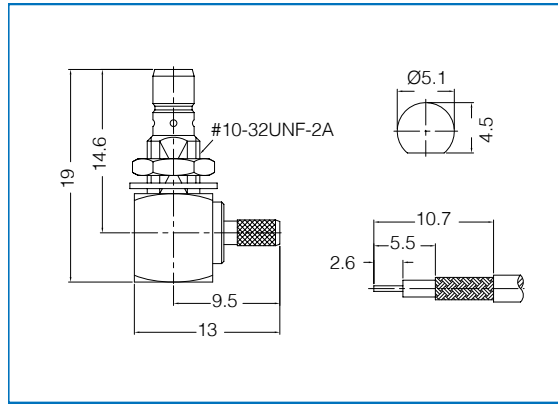
BYF31A-**AXX**G01

Cable group : [01](#), [02](#), [03](#), [04](#), [05](#), [06](#)

Replace "G" with "N" for Nickel

Impedance Y = 5 = 50 Ohm

Y = 7 = 75 Ohm



Cable Groups

A01 - 50Ω - RG-178, 198	A08 - 50Ω - LMR200	A15 - 75Ω - RG-6	A22 - 75Ω - AT&T 734A	A29 - 50Ω - 1/4"SR, RG-402U	A37 - 75Ω - FLEX 5
A02 - 50Ω - RG-174, 188A, 316, LMR100	A09 - 50Ω - RG-59U Plenum	A16 - 50Ω - 8X, LMR240	A23 - 75Ω - AT&T 735A	A30 - 50Ω - 1.13mm OD micro	A38 - 50Ω - 3D-2V
A03 - 75Ω - RG-179, 187	A10 - 75Ω - RG-59, 62	A17 - 50Ω - LMR400, Belden 9913	A24 - 50Ω - LMR600	A31 - 50Ω - 1.32mm OD micro	A39 - 50Ω - 5D-2V
A04 - 50Ω - RD-316U	A11 - 75Ω - Belden 1505A	A18 - 50Ω - RG-8, 9A, 9, 213, 214	A25 - 75Ω - Belden 1695A	A32 - 50Ω - 1.37mm OD micro	A40 - 50Ω - 8D-2V
A05 - 75Ω - RD-179U	A12 - 75Ω - Belden 8281	A19 - 75Ω - RG6U, Quad	A26 - 75Ω - Belden 8218	A33 - 50Ω - 047SR cable	A41 - 50Ω - 5D-FB, LMR300
A06 - 50Ω - RG-58, 58A, 58C, 141, LMR195	A13 - 75Ω - RG-59U Quad Shield	A20 - 75Ω - RG-11	A27 - 75Ω - BT-3002	A34 - 75Ω - FLEX 2	A42 - 50Ω - 1/4" Superflex
A07 - 50Ω - RG-55, 142, 223, 400	A14 - 75Ω - RG-59U Plenum	A21 - 75Ω - Belden 1694A	A28 - 50Ω - 0885R, RG-405U	A35 - 75Ω - FLEX 3	A43 - 50Ω - 1/2" Superflex

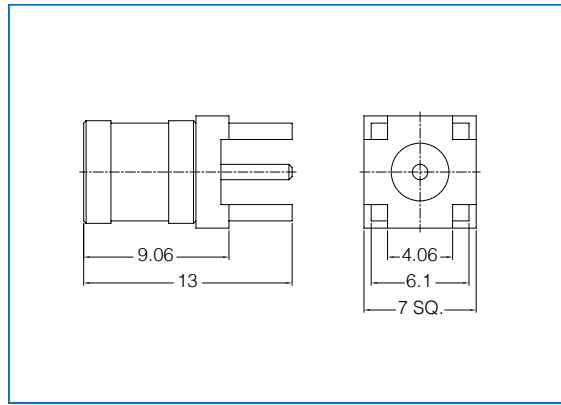
Straight Plug, PCB Mount

BYF11A-TPCG01

* Mounting Hole : "B"

Impedance $Y = 5 = 50 \text{ Ohm}$

$Y = 7 = 75 \text{ Ohm}$



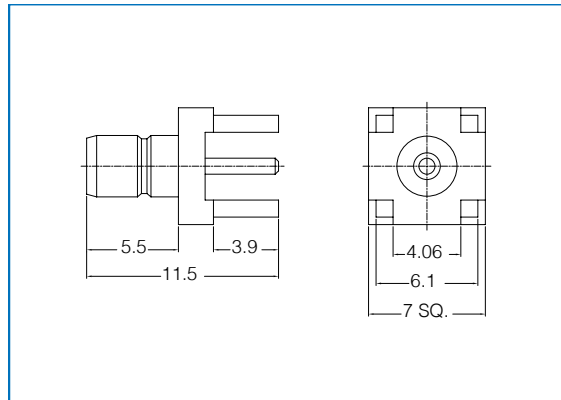
Straight Jack, PCB Mount

BYM11A-TPCG01

* Mounting Hole : "B"

Impedance $Y = 5 = 50 \text{ Ohm}$

$Y = 7 = 75 \text{ Ohm}$



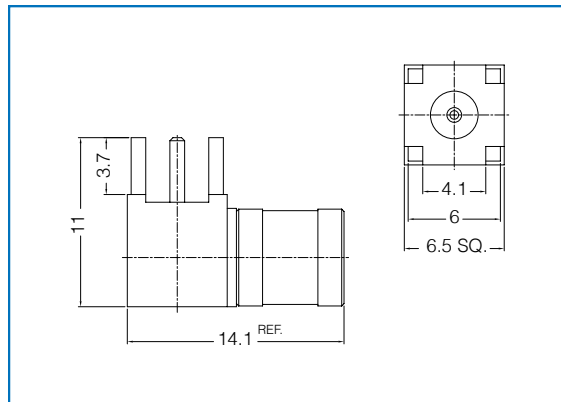
Right Angle Plug, PCB Mount

BYF21A-TPCG01

* Mounting Hole : "B"

Impedance $Y = 5 = 50 \text{ Ohm}$

$Y = 7 = 75 \text{ Ohm}$



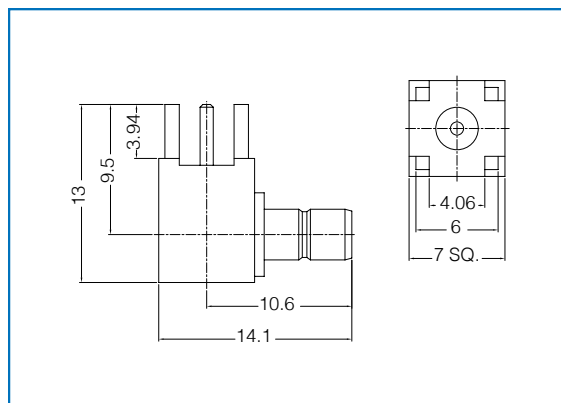
Right Angle Jack, PCB Mount

BYM21A-TPCG01

* Mounting Hole : "B"

Impedance $Y = 5 = 50 \text{ Ohm}$

$Y = 7 = 75 \text{ Ohm}$



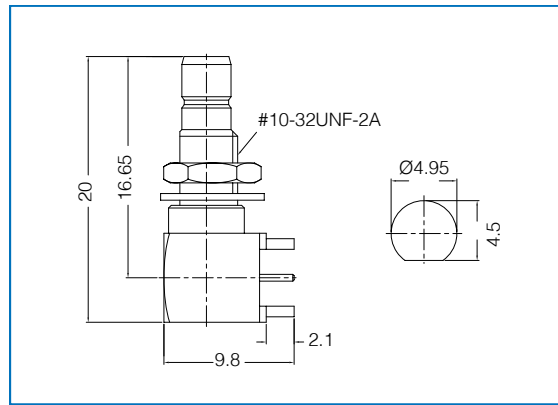
Right Angle Bulkhead Jack, PCB Mount

BYM32A-TPCG01

* Mounting Hole : "B"

Impedance Y = 5 = 50 Ohm

Y = 7 = 75 Ohm



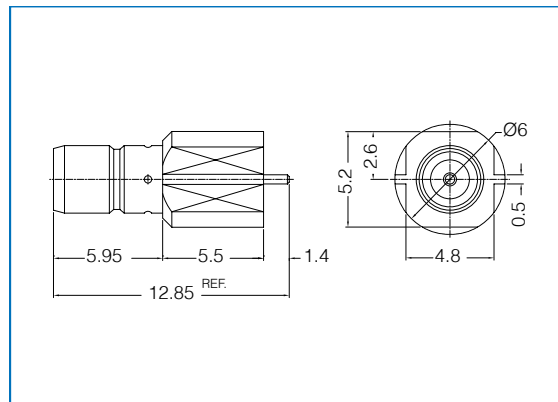
Straight Jack, Edgecard Mount

BYM11A-EPCG01

* Mounting Layout : "See Drawing"

Impedance Y = 5 = 50 Ohm

Y = 7 = 75 Ohm



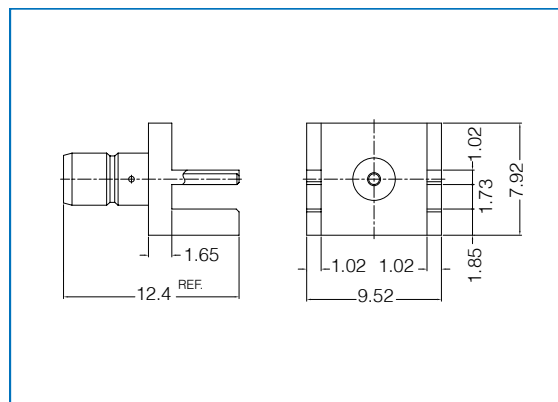
Straight Jack, End Launch

BYM11B-EPCG01

* Mounting Layout : "See Drawing"

Impedance Y = 5 = 50 Ohm

Y = 7 = 75 Ohm



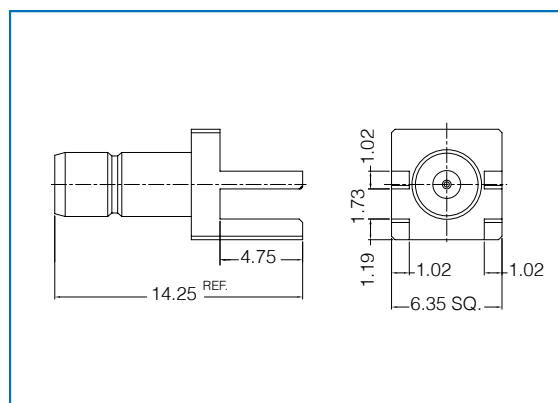
Straight Jack, End Launch

BYM11C-EPCG01

* Mounting Layout : "See Drawing"

Impedance Y = 5 = 50 Ohm

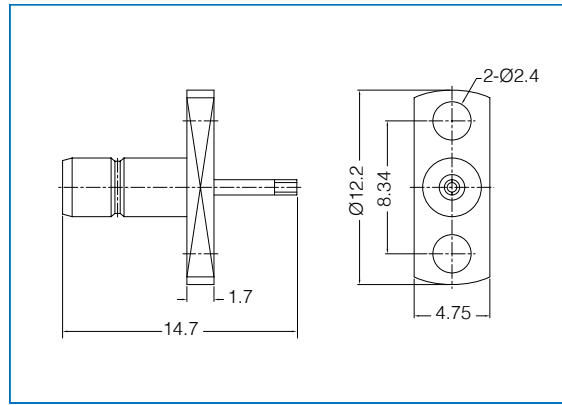
Y = 7 = 75 Ohm



SMB

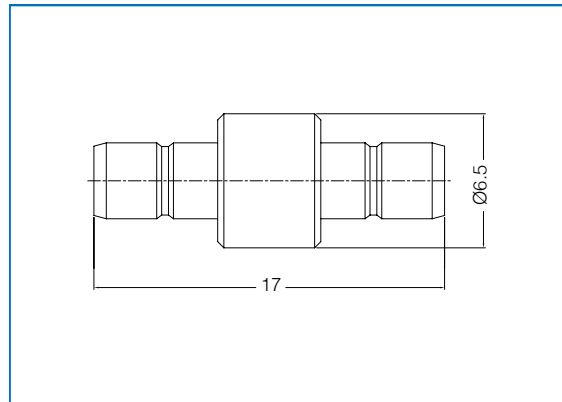
**Panel Mount Receptacle Jack,
2 Hole Flange**

B5M41A-2HLG01



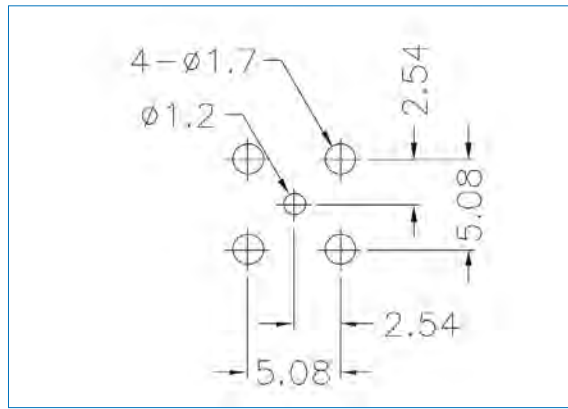
Jack to Jack Adapter

B5M11A-ADPG01



PCB Layouts

Layout-B



1.0 / 2.3 Series - D5 (50 Ω) / D7 (75 Ω)



1.0 / 2.3

FEATURES :

- Push-Pull coupling locking
- Positive mating locking
- Available for both 50 & 75 Ohm
- Smaller size saves space
- Comply with DIN 41626 Spec

APPLICATIONS :

- European Telecoms
- Base Stations
- Datacom
- Telecom Switching Equipment
- Broadband Networking

ELECTRICAL SPECIFICATIONS

<u>Impedance</u>	<u>50 Ω / 75 Ω</u>
<u>Frequency Range</u>	<u>0 – 4 GHz / 0 – 1 GHz</u>
<u>Working Voltage</u>	<u>≥ 250 VRMS</u>
<u>Dielectric Withstanding Voltage</u>	<u>750 VRMS at sea level</u>
<u>VSWR</u>	<u>Straight : 1.15 max</u>
	<u>Right Angle : 1.2 max</u>
<u>Contact Resistance</u>	<u>Center Contact : ≤ 6 mΩ</u>
	<u>Outer Contact : ≤ 3 mΩ</u>
<u>Insulation Resistance</u>	<u>10,000 MΩ min.</u>

MATERIAL SPECIFICATIONS

<u>Body</u>	<u>Brass, nickel or gold plated</u>
<u>Outer contacts</u>	<u>Brass, gold plated</u>
<u>Male contact</u>	<u>Brass, gold plated</u>
<u>Female contact</u>	<u>Beryllium Copper, gold plated</u>
<u>Insulator</u>	<u>PTFE</u>
<u>Crimp ferrule</u>	<u>Copper or brass, nickel or gold plated</u>

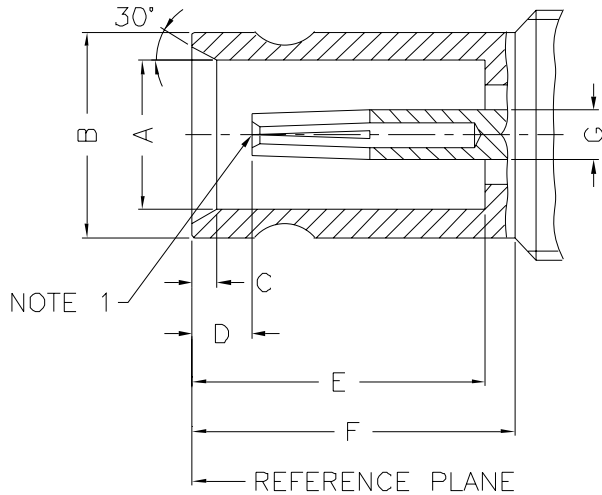
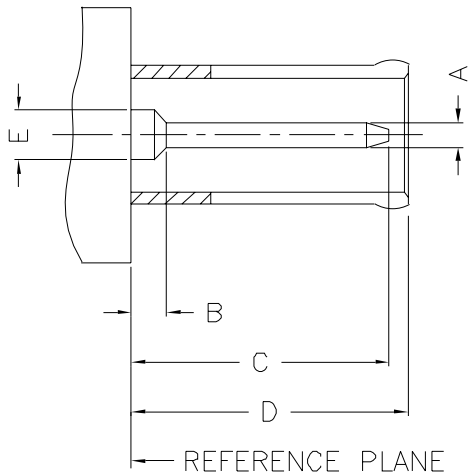
MECHANICAL SPECIFICATIONS

<u>Contact Retention</u>	<u>≥ 4 lbs</u>
<u>Engagement Force</u>	<u>≤ 2.3 lbs</u>
<u>Disengagement Force</u>	<u>≥ 2.3 lbs</u>
<u>Durability (matings)</u>	<u>500 cycles min.</u>

ENVIRONMENTAL

<u>Temperature Range</u>	<u>-40°C to +155°C</u>
--------------------------	------------------------

INTERFACE MATING DIMENSIONS



PLUG		
Letter	Millimeters	
	Minimum	Maximum
A	0.48	0.52
B	-	1.15
C	-	5.50
D	5.40	5.70
E	0.98	1.02

JACK		
Letter	Millimeters	
	Minimum	Maximum
A	3.00	3.06
B	4.03	4.15
C	0.50	0.60
D	1.15	-
E	5.80	5.90
F	6.40	6.50
G	0.98	1.02

Note 1 : I.D. to meet VSWR and contact resistance when mated with 0.48/0.52 mm dia. pin.

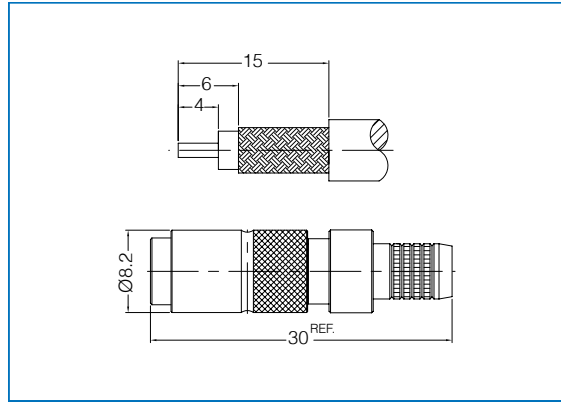
Crimp Plug, Position Lock

DYM11A-AXXG01

Cable group : [02](#), [03](#), [05](#), [06](#), [07](#), [16](#),
[22](#), [23](#)

Impedance $Y = 5 = 50 \text{ Ohm}$

$Y = 7 = 75 \text{ Ohm}$



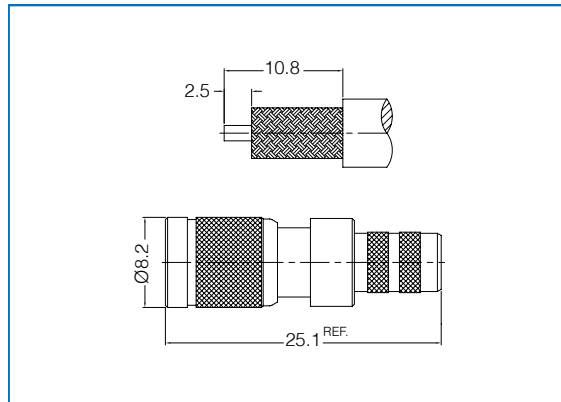
Crimp Plug, Push-Pull

DYM12A-AXXG01

Cable group : [02](#), [03](#), [05](#), [06](#), [07](#), [16](#),
[22](#), [23](#)

Impedance $Y = 5 = 50 \text{ Ohm}$

$Y = 7 = 75 \text{ Ohm}$



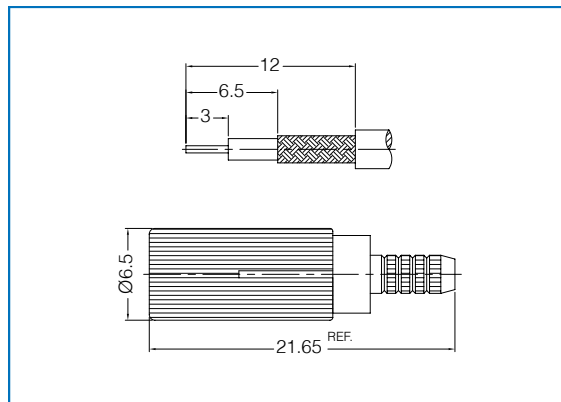
Crimp Plug, Screw-On

DYM13A-AXXG01

Cable group : [02](#), [03](#), [05](#), [06](#), [07](#)

Impedance $Y = 5 = 50 \text{ Ohm}$

$Y = 7 = 75 \text{ Ohm}$



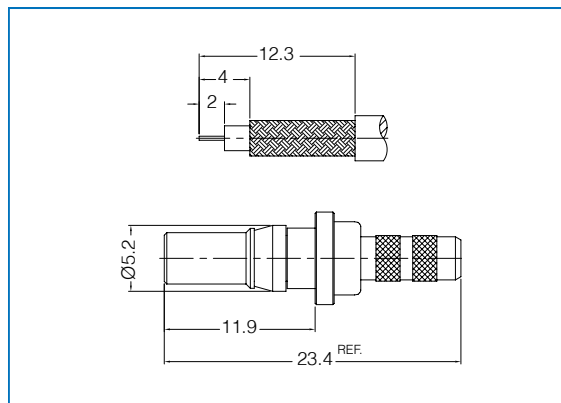
Crimp Jack

DYF11A-AXXG01

Cable group : [02](#), [03](#), [05](#), [27](#)

Impedance $Y = 5 = 50 \text{ Ohm}$

$Y = 7 = 75 \text{ Ohm}$



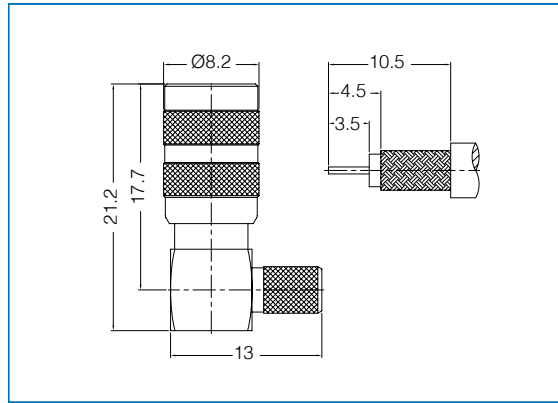
Right Angle Crimp Plug, Push-Pull

DYM21A-AXXG01

Cable group : [02](#), [03](#), [05](#), [06](#), [07](#), [22](#), [23](#)

Impedance $Y = 5 = 50 \text{ Ohm}$

$Y = 7 = 75 \text{ Ohm}$



Cable Groups

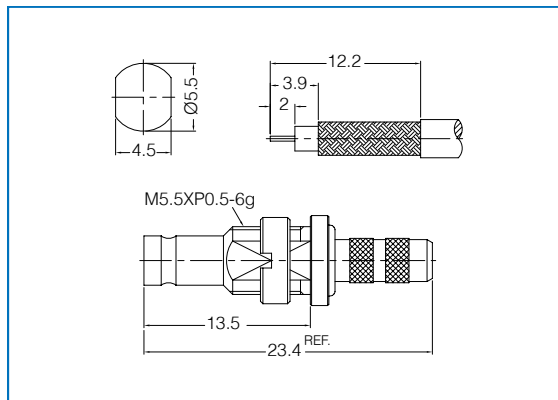
Bulkhead Crimp Jack

DYF31A-AXXG01

Cable group : [02](#), [03](#), [05](#), [27](#), [34](#), [35](#),
[36](#), [37](#)

Impedance $Y = 5 = 50 \text{ Ohm}$

$Y = 7 = 75 \text{ Ohm}$



A01 - 500 - RG-178, 198
A02 - 500 - RG-174, 188A, 316, LMR100
A03 - 750 - RG-179, 187
A04 - 500 - RD-316U
A05 - 750 - RD-179U
A06 - 500 - RG-58, 58A, 58C, 141, LMR195
A07 - 500 - RG-55, 142, 223, 400
A08 - 500 - LMR200
A09 - 500 - RG-59U Plenum
A10 - 750 - RG-59, 62
A11 - 750 - Belden 1505A
A12 - 750 - Belden 8281
A13 - 750 - RG-59U Quad Shield
A14 - 750 - RG-59U Plenum

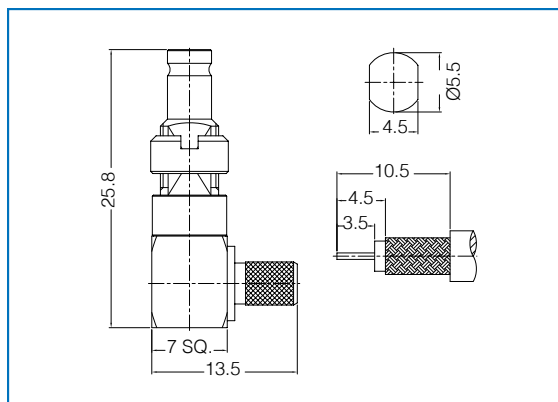
Right Angle Bulkhead Crimp Jack

DYF32A-AXXG01

Cable group : [02](#), [03](#), [05](#), [27](#), [34](#), [35](#),
[36](#), [37](#)

Impedance $Y = 5 = 50 \text{ Ohm}$

$Y = 7 = 75 \text{ Ohm}$



A15 - 750 - RG-6
A16 - 500 - 8X, LMR240
A17 - 500 - LMR400, Belden 9913
A18 - 500 - RG-8, 8A, 9, 213, 214
A19 - 750 - RG6U Quad
A20 - 750 - RG-11
A21 - 750 - Belden 1694A
A22 - 750 - AT&T 734A
A23 - 750 - AT&T 735A
A24 - 500 - LMR800
A25 - 750 - Belden 1695A
A26 - 750 - Belden 8218
A27 - 750 - BT-3002
A28 - 500 - 0885, 0885RF, RG-405U

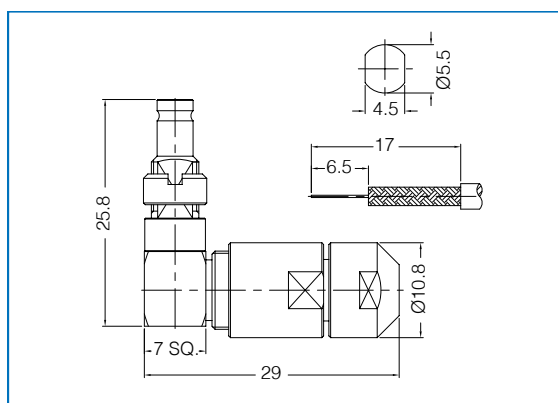
Right Angle Bulkhead Clamp Jack

DYF33A-AXXG01

Cable group : [02](#), [03](#), [05](#), [27](#)

Impedance $Y = 5 = 50 \text{ Ohm}$

$Y = 7 = 75 \text{ Ohm}$



A29 - 500 - 141SR, RG-402U
A30 - 500 - 1.13mm OD micro
A31 - 500 - 1.32mm OD micro
A32 - 500 - 1.37mm OD micro
A33 - 500 - 047SR cable
A34 - 750 - FLEX 2
A35 - 750 - FLEX 3
A37 - 750 - FLEX 5
A38 - 500 - 30-2V
A39 - 500 - 5D-2V
A40 - 500 - 8D-2V
A41 - 500 - 5D-FB, LMR300
A42 - 500 - 1/4" Superflex
A43 - 500 - 1/2" Superflex

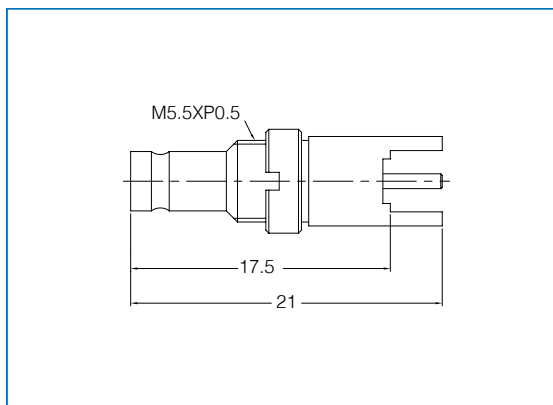
Straight PCB Jack

DYF31A-TPCG01

* Mounting Hole : "V"

Impedance $Y = 5 = 50 \text{ Ohm}$

$Y = 7 = 75 \text{ Ohm}$



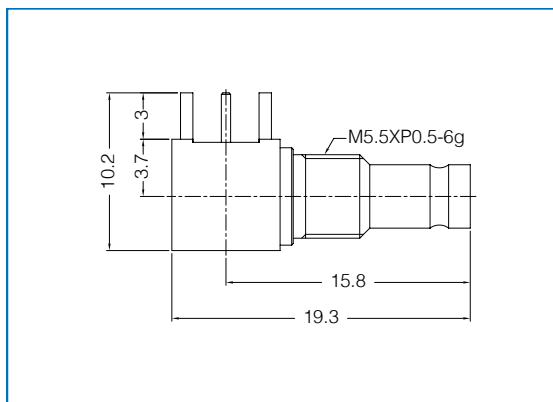
Right Angle PCB Jack

DYF21A-TPCG01

* Mounting Hole : "P"

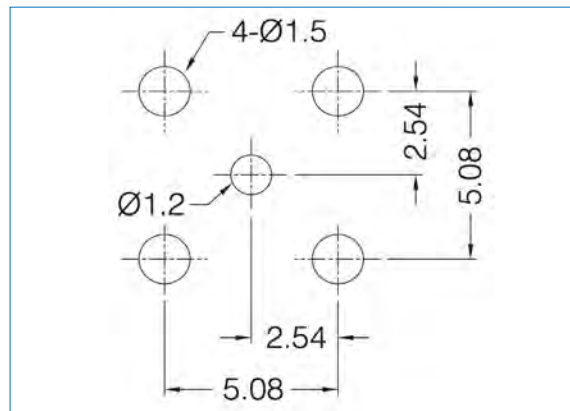
Impedance $Y = 5 = 50 \text{ Ohm}$

$Y = 7 = 75 \text{ Ohm}$

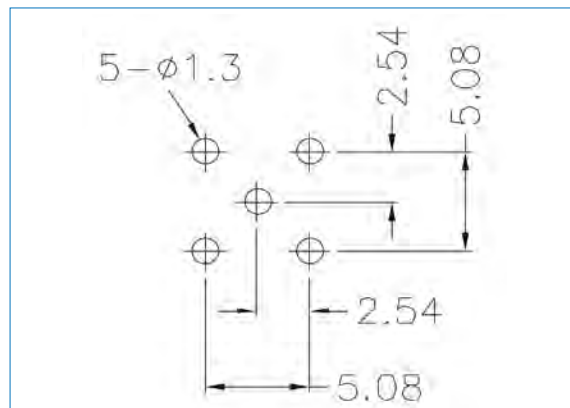


PCB Layouts

Layout-V



Layout-P



1.6 / 5.6 Series - DE



FEATURES :

- European design, 75 ohm Interface
- Snap-On Connection
- Threaded coupling mating
- Ideal for data transfer
- Easy connection and disconnection

APPLICATIONS :

- Cable Assemblies
- Broadband systems
- Datacom
- Telecom Base Stations
- Telecom Switching

ELECTRICAL SPECIFICATIONS

<u>Impedance</u>	<u>75 Ω</u>
<u>Frequency Range</u>	<u>0 – 1 GHz</u>
<u>Working Voltage</u>	<u>≥ 335 VRMS</u>
<u>Dielectric Withstanding Voltage</u>	<u>1000 VRMS at sea level</u>
<u>VSWR</u>	<u>Straight : 1.15 max</u>
	<u>Right Angle : 1.2 max</u>
<u>Contact Resistance</u>	<u>Center Contact : ≤ 4 mΩ</u>
	<u>Outer Contact : ≤ 2 mΩ</u>
<u>Insulation Resistance</u>	<u>1,000 MΩ min.</u>

MATERIAL SPECIFICATIONS

<u>Body</u>	<u>Brass, nickel or gold plated</u>
<u>Outer contacts</u>	<u>Brass, nickel or gold plated</u>
<u>Male contact</u>	<u>Brass, gold plated</u>
<u>Female contact</u>	<u>Beryllium Copper, gold plated</u>
<u>Insulator</u>	<u>PTFE</u>
<u>Crimp ferrule</u>	<u>Copper or brass, nickel or gold plated</u>

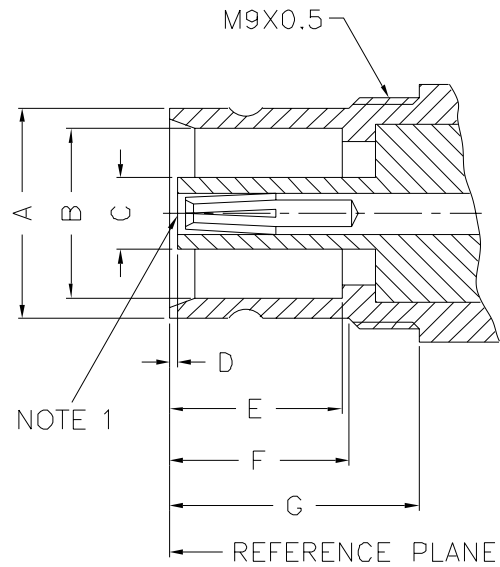
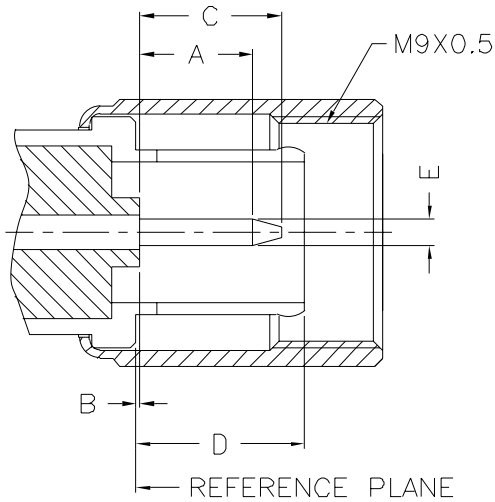
MECHANICAL SPECIFICATIONS

<u>Contact Retention</u>	<u>≥ 6 lbs</u>
<u>Durability (matings)</u>	<u>500 cycles min.</u>

ENVIRONMENTAL

<u>Temperature Range</u>	<u>-40°C to +155°C</u>
--------------------------	------------------------

INTERFACE MATING DIMENSIONS



PLUG		
Letter	Millimeters	
	Minimum	Maximum
A	3.90	4.30
B	-	0.15
C	-	5.50
D	-	6.60
E	1.00	1.06

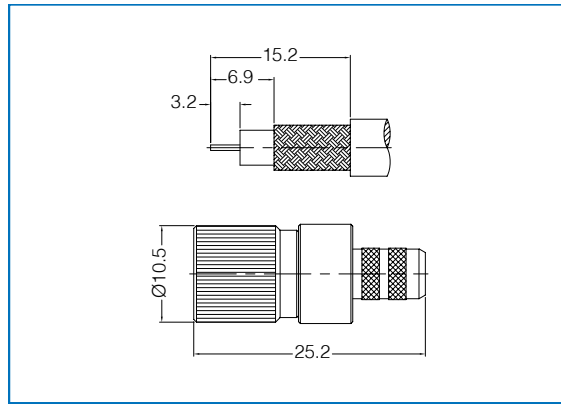
JACK		
Letter	Millimeters	
	Minimum	Maximum
A	8.10	8.25
B	6.60	6.69
C	-	2.80
D	0.25	-
E	6.70	-
F	7.00	7.50
G	9.70	-

Note 1 : I.D. to meet VSWR and contact resistance when mated with 1.0/1.06 mm dia. pin.

Crimp Plug

DEM11A-AXXG01

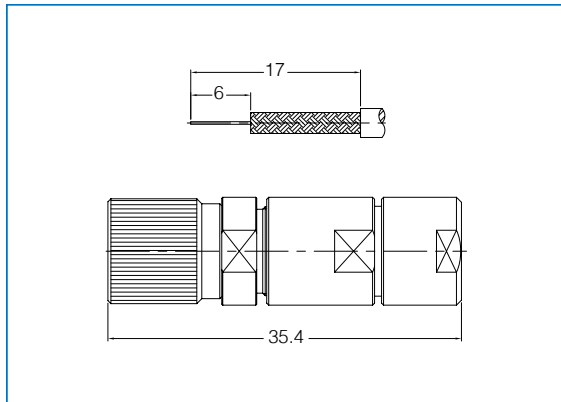
Cable group : 03, 05, 10, 22, 23, 27



Clamp Plug

DEM12A-AXXG01

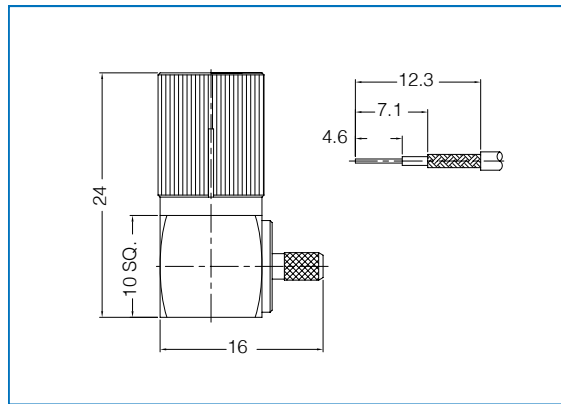
Cable group : 03, 05, 10, 22, 23, 27, 34, 35



Right Angle Crimp Plug

DEM21A-AXXG01

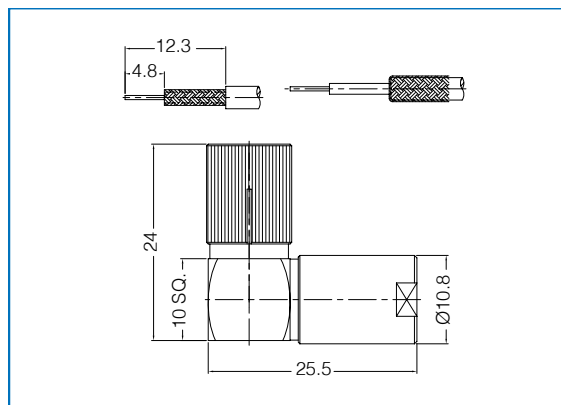
Cable group : 03, 05, 10, 22, 23, 27



Right Angle Clamp Plug

DEM22A-AXXG01

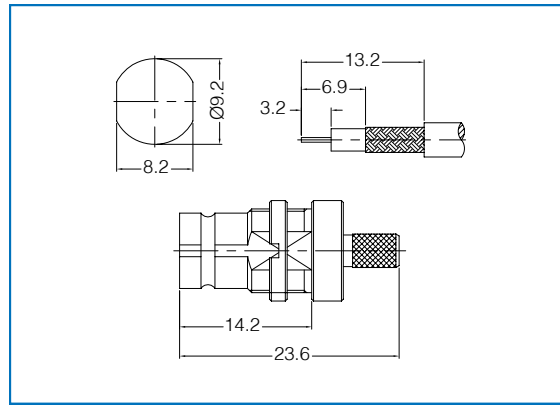
Cable group : 03, 05, 10, 22, 23, 27, 34, 35



Bulkhead Crimp Jack

DEF11A-AXXG01

Cable group : [03](#), [05](#), [10](#), [22](#), [23](#), [27](#),
[34](#), [35](#)

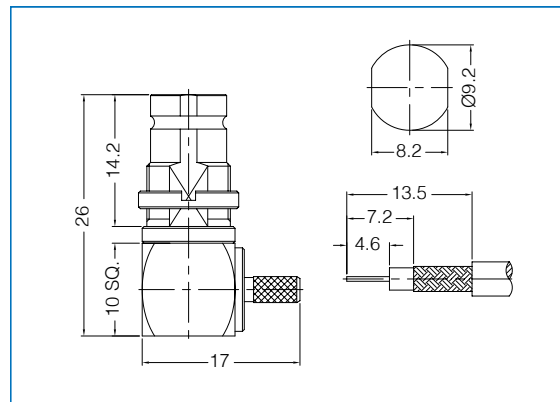


Cable Groups

Right Angle Bulkhead Crimp Jack

DEF21A-AXXG01

Cable group : [03](#), [05](#), [10](#), [22](#), [23](#), [27](#),
[34](#), [35](#)

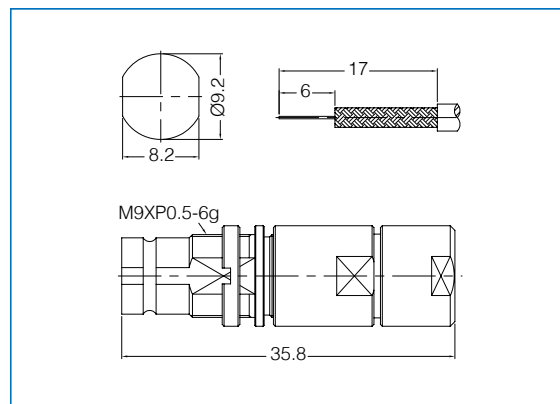


A01 - 500 - RG-178, 198
A02 - 500 - RG-174, 188A, 316, LMR100
A03 - 750 - RG-179, 187
A04 - 500 - RD-316U
A05 - 750 - RD-179U
A06 - 500 - RG-58, 58A, 58C, 141, LMR195
A07 - 500 - RG-55, 142, 223, 400
A08 - 500 - LMR200
A09 - 500 - RG-59U Plenum
A10 - 750 - RG-59, 62
A11 - 750 - Belden 1505A
A12 - 750 - Belden 8281
A13 - 750 - RG-59U Quad Shield
A14 - 750 - RG-59U Plenum

Bulkhead Clamp Jack

DEF12A-AXXG01

Cable group : [03](#), [05](#), [10](#), [22](#), [23](#), [27](#),
[34](#), [35](#)

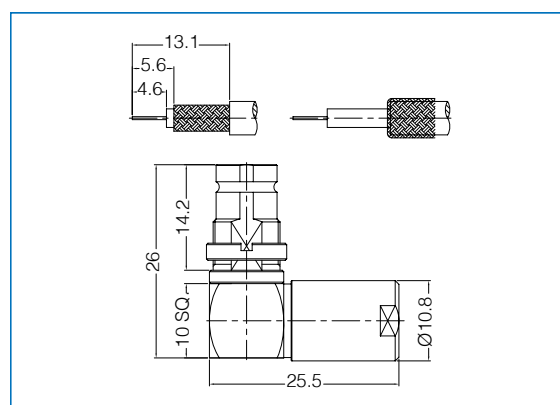


A15 - 750 - RG-6
A16 - 500 - 8X, LMR240
A17 - 500 - LMR400, Belden 9913
A18 - 500 - RG-8, 8A, 9, 213, 214
A19 - 750 - RG6U, Quad
A20 - 750 - RG-11
A21 - 750 - Belden 1694A
A22 - 750 - AT&T 734A
A23 - 750 - AT&T 735A
A24 - 500 - LMR800
A25 - 750 - Belden 1695A
A26 - 750 - Belden 8218
A27 - 750 - BT-3002
A28 - 500 - 0885, 0885R, RG-405U

Right Angle Bulkhead Clamp Jack

DEF22A-AXXG01

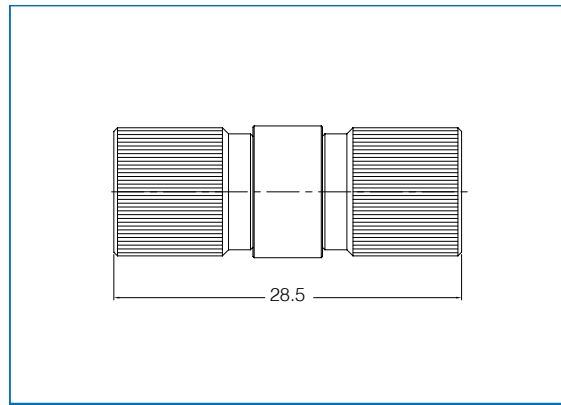
Cable group : [03](#), [05](#), [10](#)



A29 - 500 - 141SR, RG-402U
A30 - 500 - 1.13mm OD micro
A31 - 500 - 1.32mm OD micro
A32 - 500 - 1.37mm OD micro
A33 - 500 - 047SR cable
A34 - 750 - FLEX 2
A35 - 750 - FLEX 3
A37 - 750 - FLEX 5
A38 - 500 - 30-2V
A39 - 500 - 5D-2V
A40 - 500 - 8D-2V
A41 - 500 - 5D-FB, LMR300
A42 - 500 - 1/4" Superflex
A43 - 500 - 1/2" Superflex

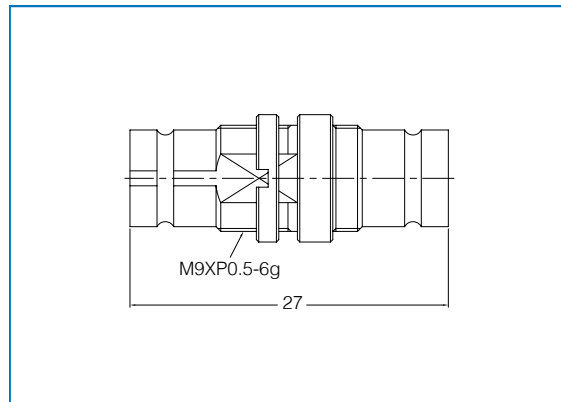
Plug to Plug Adapter

DEM11A-ADPG01



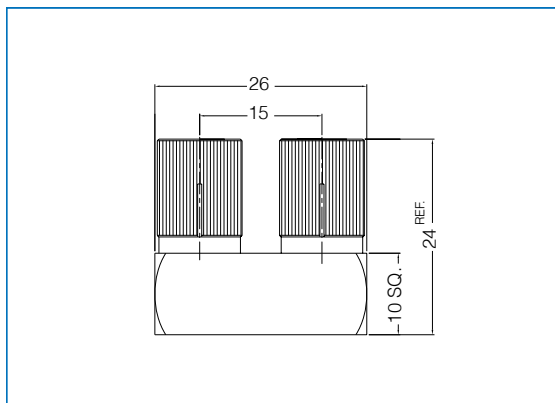
Jack to Jack Bulkhead Adapter

DEF11A-ADPG01



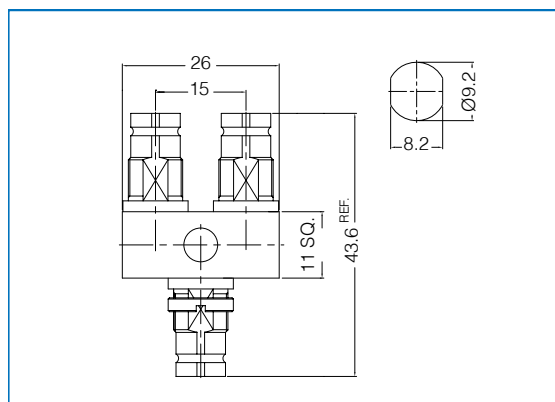
U-Link Adapter, Plug-Plug

DEM21A-ADPG01



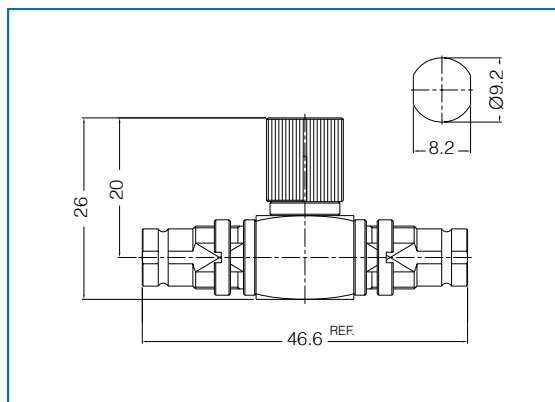
Y-Link Adapter, Jack-Jack-Jack

DEF51A-ADPG01



“T” Adapter, Jack-Plug-Jack

DEA52A-ADPG01



SMZ (BT43) Series - BT



FEATURES :

- Snap-on / quick disconnect mating
- Latching Options available
- High Density versions available
- Also Ultra High Density

APPLICATIONS :

- Telecom Switching Systems
- Computer
- Video & Broadband
- UK style Telecom Systems

SMZ/BT43

ELECTRICAL SPECIFICATIONS

<u>Impedance</u>	<u>75 Ω</u>
<u>Frequency Range</u>	<u>0 – 3 GHz</u>
<u>Working Voltage</u>	<u>≥ 500 VRMS</u>
<u>Dielectric Withstanding Voltage</u>	<u>1500 VRMS at sea level</u>
<u>VSWR</u>	<u>Straight : 1.15 max</u>
	<u>Right Angle : 1.2 max</u>
<u>Contact Resistance</u>	<u>Center Contact : ≤ 5 mΩ</u>
	<u>Outer Contact : ≤ 12 mΩ</u>
<u>Insulation Resistance</u>	<u>5,000 MΩ min.</u>

MATERIAL SPECIFICATIONS

<u>Body and outer contacts</u>	<u>Brass, nickel or gold plated</u>
<u>Male contact</u>	<u>Brass, gold plated</u>
<u>Female contact</u>	<u>Phosphor Bronze, gold plated</u>
<u>Insulator</u>	<u>PTFE</u>
<u>Crimp ferrule</u>	<u>Copper or brass, nickel or gold plated</u>

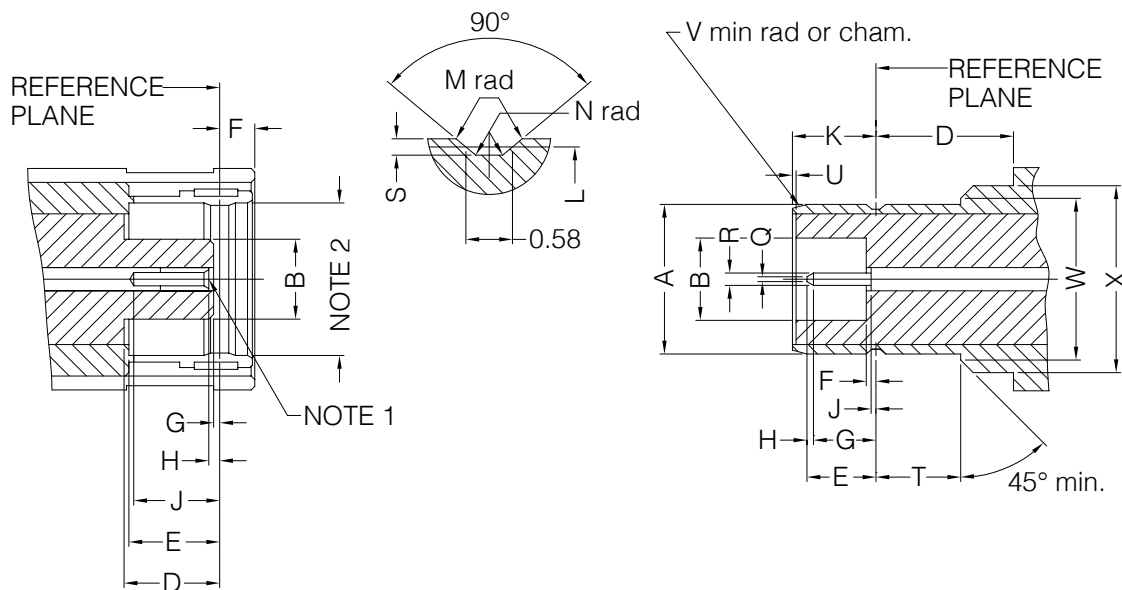
MECHANICAL SPECIFICATIONS

<u>Contact Retention</u>	<u>≥ 6 lbs</u>
<u>Durability (matings)</u>	<u>500 cycles min.</u>

ENVIRONMENTAL

<u>Temperature Range</u>	<u>-65°C to +165°C</u>
--------------------------	------------------------

INTERFACE MATING DIMENSIONS



PLUG		
Letter	Millimeters	
	Minimum	Maximum
B	-	3.33
D	3.58	-
E	3.58	-
F	-	1.98
G	0.18	-
H	0.18	0.94
J	2.97	-

JACK		
Letter	Millimeters	
	Minimum	Maximum
A	6.20	6.25
B	3.35	-
D	2.36	-
E	-	2.97
F	-	0.18
G	1.32	-
H	0.25	-
J	-	0.18
K	3.33	3.58
L	5.97	6.07
M	0.05	0.15
N	-	0.13
Q	-	0.25
R	0.48	0.53
S	0.15	0.25
T	2.01	-
U	0.00	-
V	0.10	0.20
W	-	6.99
X	-	7.94

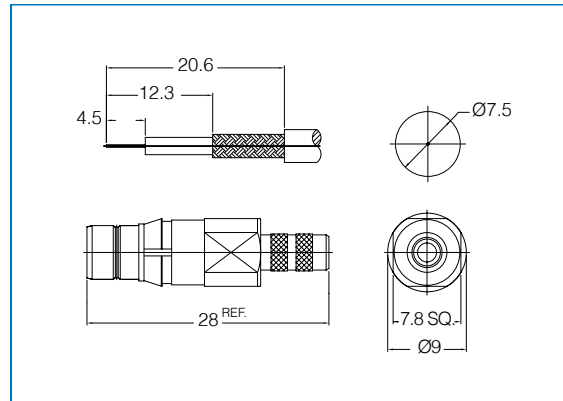
Note :

1. I.D. to meet VSWR and Contact resistance when mated with .48/.53 mm dia. pin.
2. Must meet the force to engage and disengage when mated with mating part.

Crimp Jack

BTM11A-AXXG01

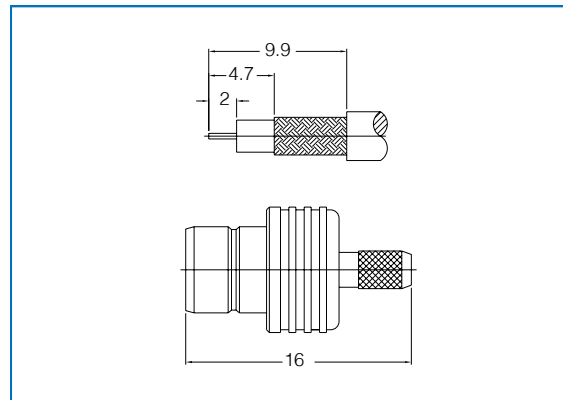
Cable group : 03, 05, 10, 26, 27, 34, 35, 36



Crimp Jack

BTM12A-AXXG01

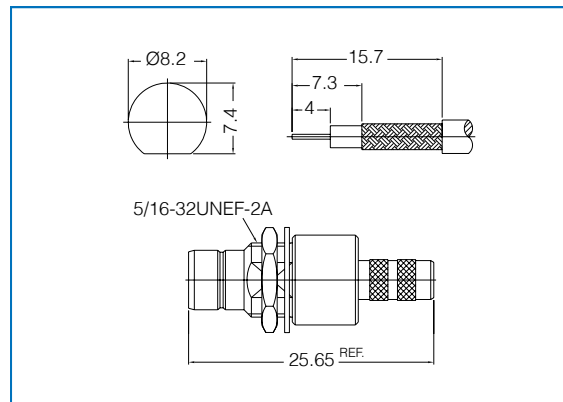
Cable group : 03, 05, 10, 26, 27, 34, 35, 36



Bulkhead Crimp Jack

BTM31A-AXXG01

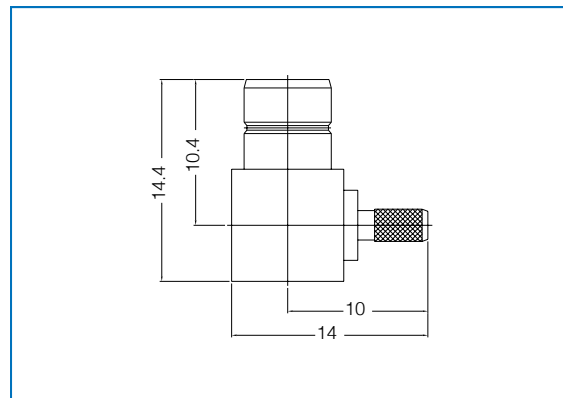
Cable group : 03, 05, 10, 26, 27, 34, 35, 36



Right Angle Crimp Jack

BTM21A-AXXG01

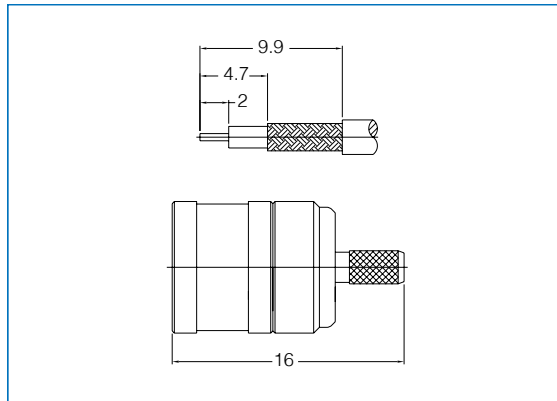
Cable group : 03, 05, 10, 26, 27, 34, 35, 36



Crimp Plug

BTF11A-AXXG01

Cable group : [03](#), [05](#), [10](#), [26](#), [27](#), [34](#),
[35](#), [36](#)

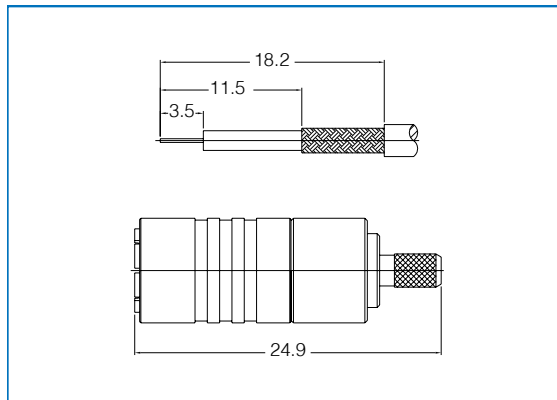


Cable Groups

Crimp Plug, Position Lock

BTF12A-AXXG01

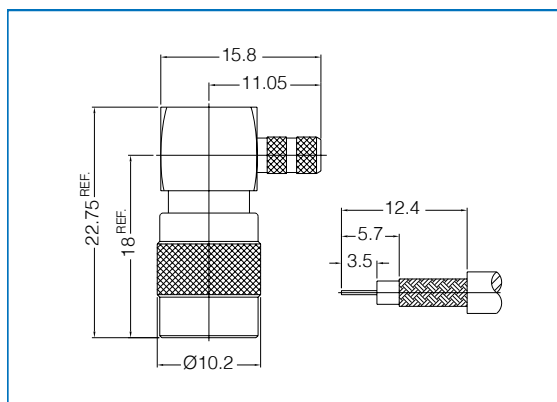
Cable group : [03](#), [05](#), [10](#), [26](#), [27](#), [34](#),
[35](#), [36](#)



Right Angle Crimp Plug, Position Lock

BTF21A-AXXG01

Cable group : [03](#), [05](#), [10](#), [26](#), [27](#), [34](#),
[35](#), [36](#)

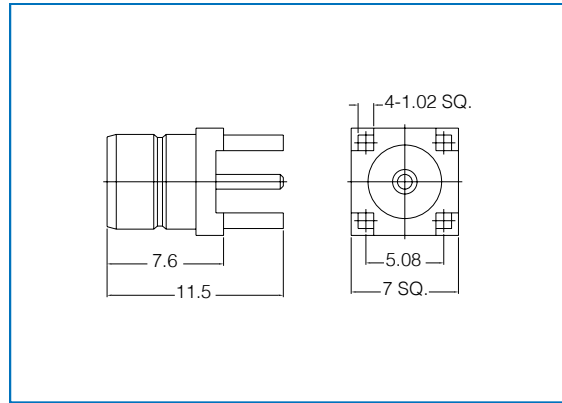


A01 - 50Ω - RG-178, 196	A08 - 50Ω - LMR200	A15 - 75Ω - RG-6	A22 - 75Ω - AT&T 734A	A29 - 50Ω - 141SR - RG-402U	A37 - 75Ω - FLEX 5
A02 - 50Ω - RG-174, 188A, 316, LMR100	A09 - 50Ω - RG-59U Plenum	A16 - 50Ω - 8X - LMR240	A23 - 75Ω - AT&T 735A	A30 - 50Ω - 1.13mm OD micro	A38 - 50Ω - 3D-2V
A03 - 75Ω - RG-179, 187	A10 - 75Ω - RG-59, 62	A17 - 50Ω - LMR400, Belden 9913	A24 - 50Ω - LMR800	A31 - 50Ω - 1.32mm OD micro	A39 - 50Ω - 5D-2V
A04 - 50Ω - RD-316U	A11 - 75Ω - Belden 1505A	A18 - 50Ω - RG-8, 9A, 9, 213, 214	A25 - 75Ω - Belden 1696A	A32 - 50Ω - 1.37mm OD micro	A40 - 50Ω - 8D-2V
A05 - 75Ω - RD-179U	A12 - 75Ω - Belden 8281	A19 - 75Ω - RG6U, Quad	A26 - 75Ω - Belden 8218	A33 - 50Ω - 047SR cable	A41 - 50Ω - 5D-FB, LMR300
A06 - 50Ω - RG-58, 58A, 58C, 141, LMR195	A13 - 75Ω - RG-59U Quad Shield	A20 - 75Ω - RG-11	A27 - 75Ω - BT-3002	A34 - 75Ω - FLEX 2	A42 - 50Ω - 1/4" Superflex
A07 - 50Ω - RG-55, 142, 223, 400	A14 - 75Ω - RG-59U Plenum	A21 - 75Ω - Belden 1694A	A28 - 50Ω - 0885, 0885R, RG-405U	A35 - 75Ω - FLEX 3	A43 - 50Ω - 1/2" Superflex

PCB Mount Jack

BTM11A-TPCG01

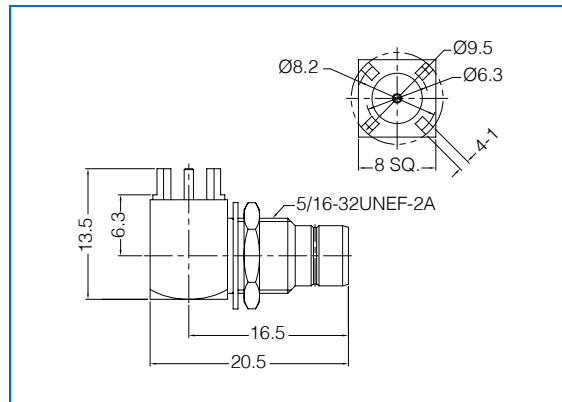
* Mounting hole : "B"



Right Angle PCB Mount Jack

BTM21A-TPCG01

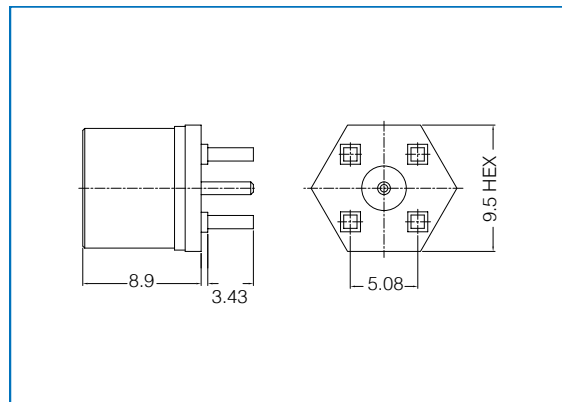
* Mounting hole : "B"



PCB Mount Plug

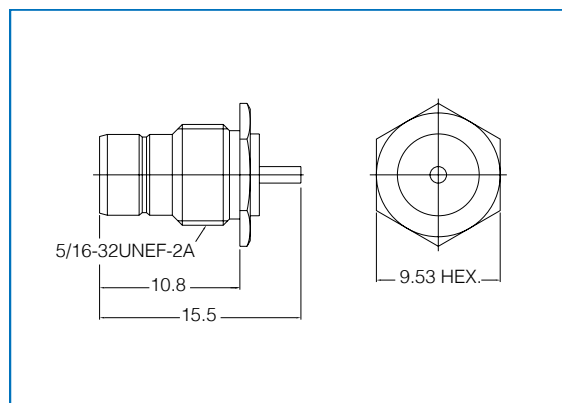
BTF11A-TPCG01

* Mounting hole : "B"

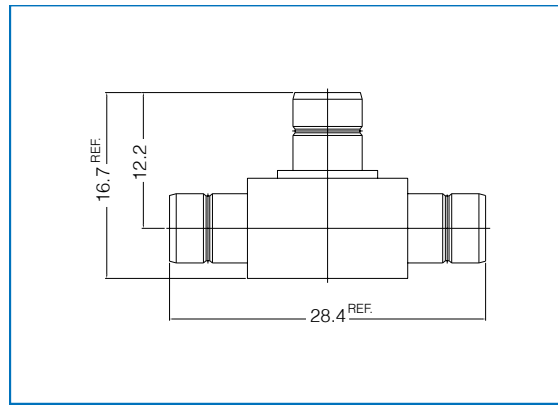


Bulkhead Receptacle Jack

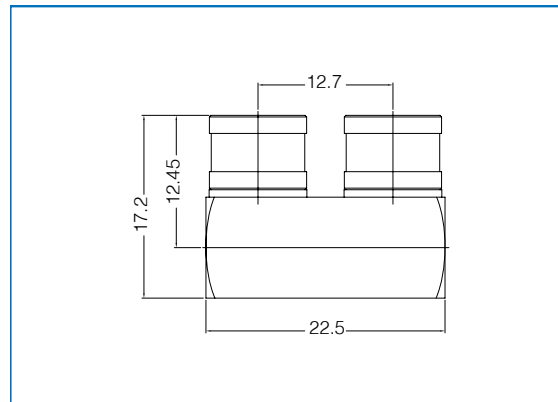
BTM31A-RECG01



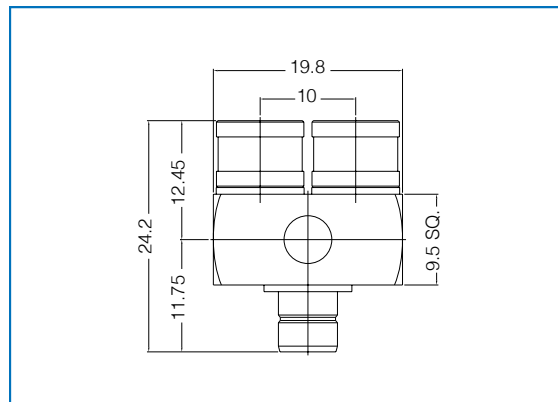
**“T” Adapter,
Jack-Jack-Jack**
BTM51A-ADPG01



**U-Link Adapter,
Plug-Plug**
BTF22A-ADPG01

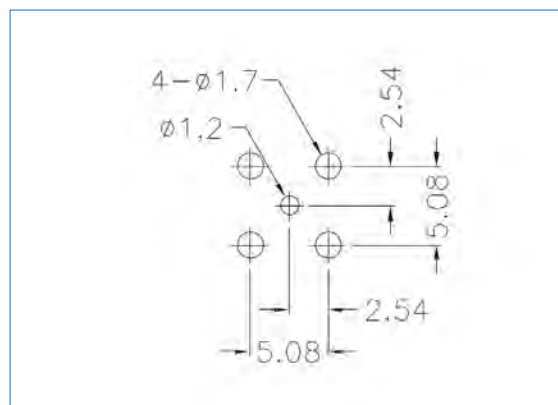


**Y-Link Adapter,
Plug-Jack-Plug**
BTA51A-ADPG01



PCB Layouts

Layout-B



BNC Series - C5 (50 Ω) / C7 (75 Ω)



FEATURES :

- Bayonet coupling
- Brass and zinc alloy available
- 50Ω and 75Ω intermateable
- Many Cable & PCB options
- Delrin or Teflon insulators available

APPLICATIONS :

- Antennas
- Broadcast & Video
- LANS/Computers
- Oscilloscopes
- Medical Equipment
- Wireless Network Antennas

BNC

ELECTRICAL SPECIFICATIONS

<u>Impedance</u>	<u>50 Ω / 75 Ω</u>
<u>Frequency Range</u>	<u>0 – 4 GHz / 0 - 3 GHz</u>
<u>Working Voltage</u>	<u>\geq 500 VRMS</u>
<u>Dielectric Withstanding Voltage</u>	<u>1500 VRMS at sea level</u>
<u>VSWR</u>	<u>Straight : 1.15 max</u>
	<u>Right Angle : 1.2 max</u>
<u>Contact Resistance</u>	<u>Center Contact : \leq 1.5 mΩ</u>
	<u>Outer Contact : \leq 0.2 mΩ</u>
<u>Insulation Resistance</u>	<u>5,000 MΩ min.</u>
<u>Insertion loss</u>	<u>0.2dB max.</u>

MATERIAL SPECIFICATIONS

<u>Body and outer contacts</u>	<u>Brass, nickel plated</u>
<u>Male contact</u>	<u>Brass, gold plated</u>
<u>Female contact</u>	<u>Phosphor Bronze, gold plated</u>
<u>Insulator</u>	<u>Delrin or PTFE</u>
<u>Crimp ferrule</u>	<u>Copper or brass, nickel plated</u>

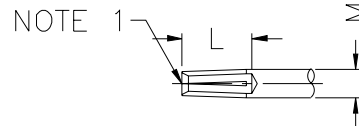
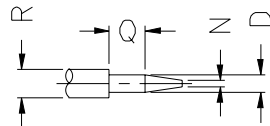
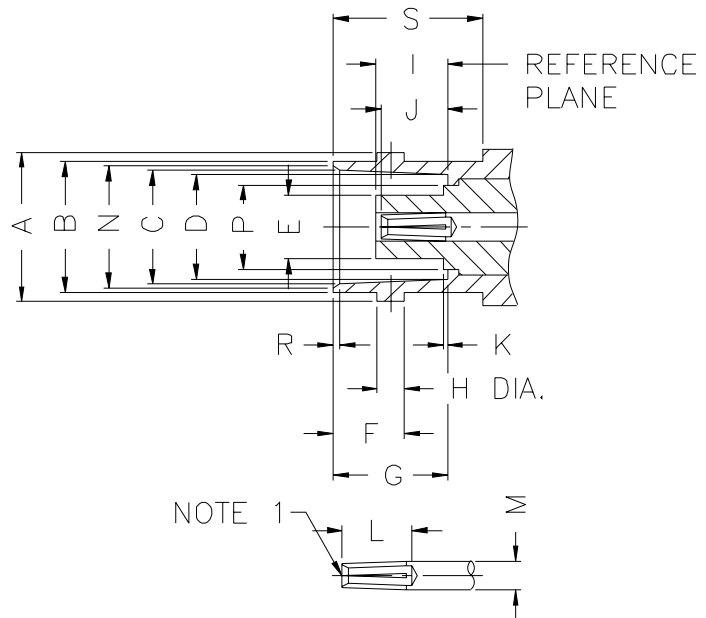
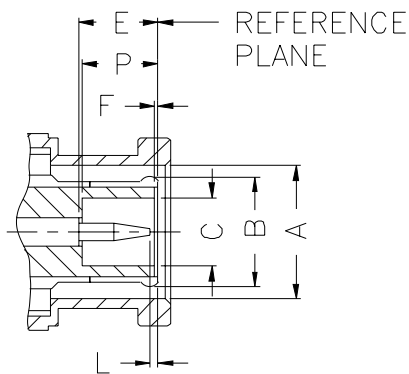
MECHANICAL SPECIFICATIONS

<u>Coupling nut retention force</u>	<u>101 lbs</u>
<u>Center contact Retention</u>	<u>\geq 6 lbs</u>
<u>Engagement force</u>	<u>\leq 5 lbs</u>
<u>Disengagement force</u>	<u>\geq 1.5 lbs</u>
<u>Cable retention</u>	<u>20 - 70 lbs</u>
<u>Durability (matings)</u>	<u>500 cycles min.</u>

ENVIRONMENTAL

<u>Temperature Range</u>	<u>-65°C to +165°C</u>
--------------------------	------------------------

INTERFACE MATING DIMENSIONS



PLUG		
Letter	Millimeters	
	Minimum	Maximum
A	9.78	9.91
B	Flared To Meet Good Electrical Contact	
C	4.83	-
D	1.32	1.37
E	5.33	5.84
F	0.15	0.46
L	0.08	1.02
N	-	0.64
P	5.28	5.79
Q	1.98	-
R	2.06	2.21

JACK		
Letter	Millimeters	
	Minimum	Maximum
A	10.97	11.07
B	9.60	9.70
C	8.31	8.46
D	8.10	8.15
E	-	4.72
F	5.18	5.28
G	8.31	8.51
H	1.91	2.06
I	4.78	5.28
J	4.72	5.23
K	-	0.15
L	4.95	-
M	2.06	2.21
N	8.79	9.04
P	-	6.50
R	0.38	0.76
S	10.52	-

Note 1 : I.D. to meet VSWR and contact resistance when mated with 1.32/1.37 mm dia. pin.

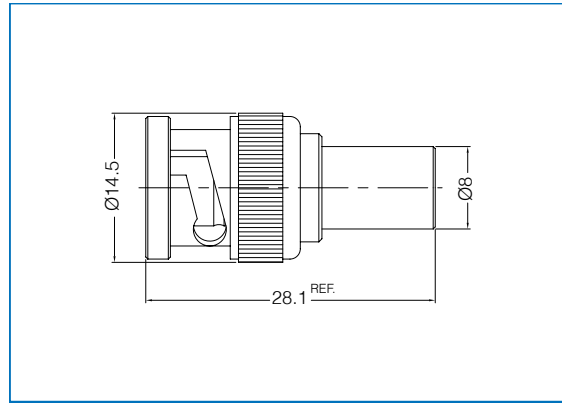
Terminator Plug

CYM11A-TERN01

1 Watt

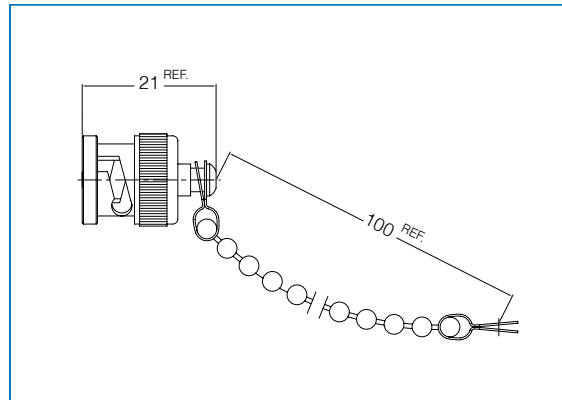
Impedance $\underline{Y = 5 = 50 \text{ Ohm}}$

$\underline{Y = 7 = 75 \text{ Ohm}}$



Male Cap with Chain

C5M12A-TERN01



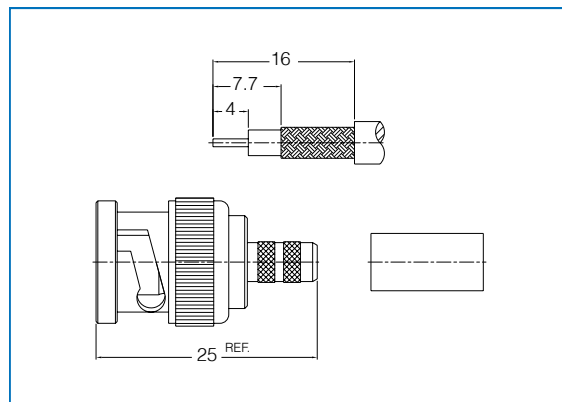
Straight Plug, Crimp

CYM11A-AXXN01

Cable group : 06, 07, 08, 09, 10, 11, 12, 13, 14, 15, 16, 22, 23, 25, 26, 27, 34, 35, 36, 37, 38

Impedance $\underline{Y = 5 = 50 \text{ Ohm}}$

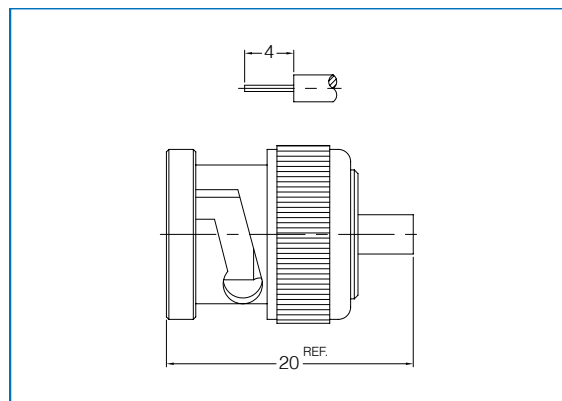
$\underline{Y = 7 = 75 \text{ Ohm}}$



Straight Plug, Solder

C5M11B-AXXN01

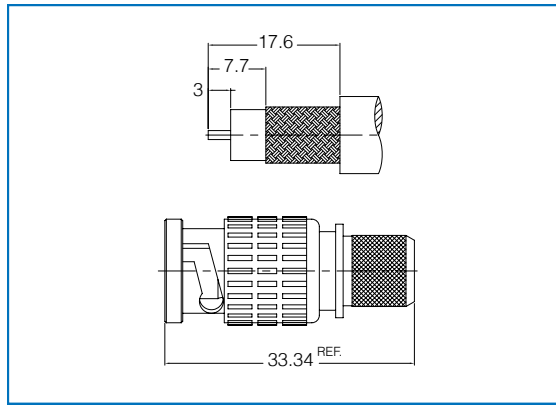
Cable group : 28, 29, 33



Straight Plug, Crimp, long Coupling Nut

C7M13A-AXXN01

Cable group : 10, 15, 20



Cable Groups

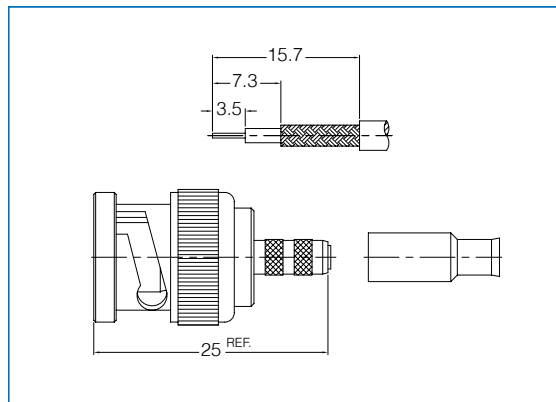
Straight Plug, Crimp with Delrin Sleeve

CYM11C-AXXN01

Cable group : 02, 03, 04, 05

Impedance $Y = 5 = 50 \text{ Ohm}$

$Y = 7 = 75 \text{ Ohm}$



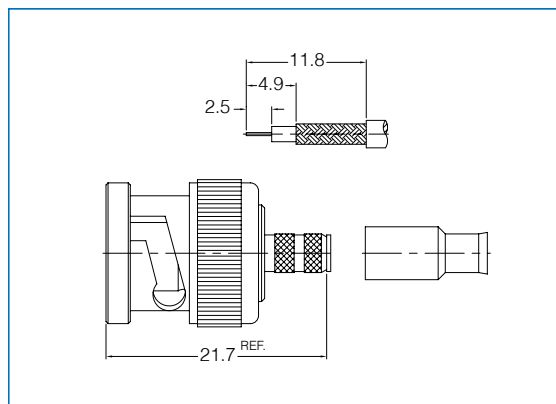
A01 - 500 - RG-178, 196
A02 - 500 - RG-174, 188A, 316, LMR100
A03 - 750 - RG-179, 187
A04 - 500 - RD-316/U
A05 - 750 - RD-179/U
A06 - 500 - RG-58, 58A, 58C, 141, LMR195
A07 - 500 - RG-55, 142, 223, 400
A08 - 500 - LMR200
A09 - 500 - RG-59/U Plenum
A10 - 750 - RG-59, 62
A11 - 750 - Belden 1505A
A12 - 750 - Belden 8281
A13 - 750 - RG-59/U Quad Shield
A14 - 750 - RG-59/U Plenum

Straight Plug, Crimp

C7M12B-AXXN01

Cable group : 03, 05

* TPX Insulator



A15 - 750 - RG-6
A16 - 500 - 8X, LMR240
A17 - 500 - LMR400, Belden 9913
A18 - 500 - RG-8, 8A, 9, 213, 214
A19 - 750 - RG8/U, Quad
A20 - 750 - RG-11
A21 - 750 - Belden 1694A
A22 - 750 - AT&T 734A
A23 - 750 - AT&T 735A
A24 - 500 - LMR600
A25 - 750 - Belden 1696A
A26 - 750 - Belden 8218
A27 - 750 - BT-3002
A28 - 500 - 0885, 0885RF, RG-405/U

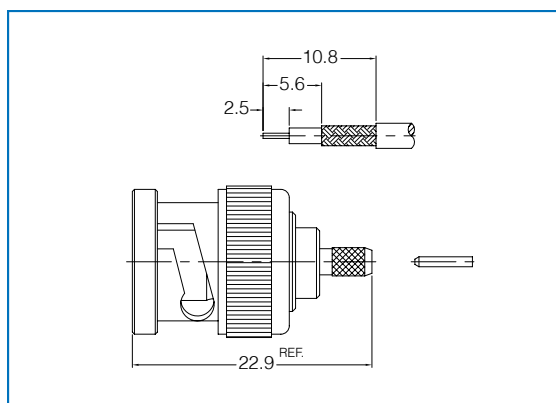
Straight Plug, Crimp-Pin in Pin

CYM14A-AXXN01

Cable group : 01, 02, 03, 04, 05

Impedance $Y = 5 = 50 \text{ Ohm}$

$Y = 7 = 75 \text{ Ohm}$



A29 - 500 - 141SR, RG-402/U
A30 - 500 - 1.13mm OD micro
A31 - 500 - 1.32mm OD micro
A32 - 500 - 1.37mm OD micro
A33 - 500 - 047SR cable
A34 - 750 - FLEX 2
A35 - 750 - FLEX 3
A37 - 750 - FLEX 5
A38 - 500 - 30-2V
A39 - 500 - 5D-2V
A40 - 500 - 8D-2V
A41 - 500 - 5D-FB, LMR300
A42 - 500 - 1/4" Superflex
A43 - 500 - 1/2" Superflex

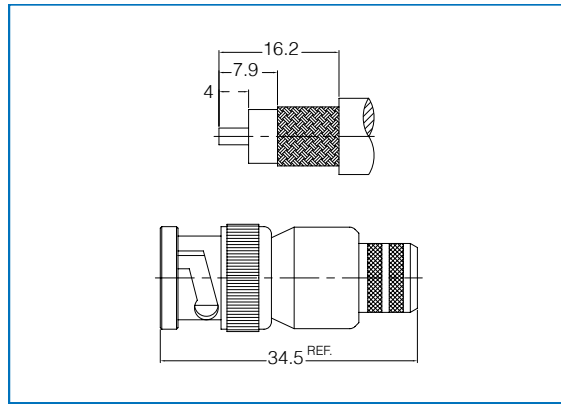
Straight Plug, Crimp

CYM15A-AXXN01

Cable group : 17, 18, 19, 20

Impedance Y = 5 = 50 Ohm

Y = 7 = 75 Ohm



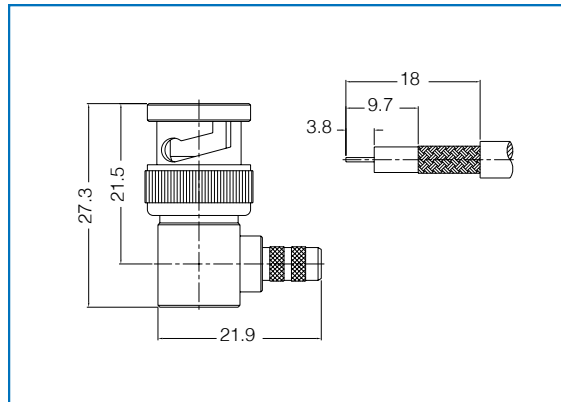
Right Angle Plug, Crimp

CYM21A-AXXN01

Cable group : 06, 07, 08, 09, 10, 11, 12, 15, 16

Impedance Y = 5 = 50 Ohm

Y = 7 = 75 Ohm



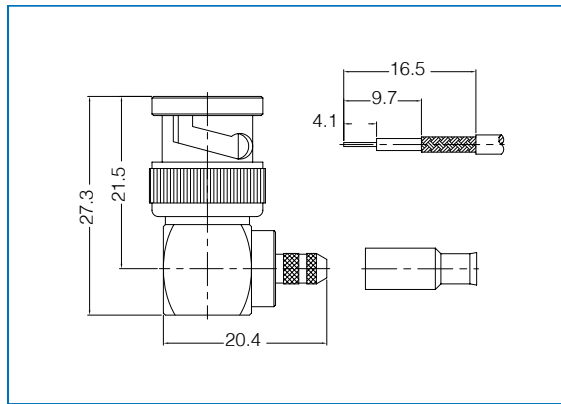
Right Angle Plug, Crimp

CYM21B-AXXN01

Cable group : 02, 03, 04, 05

Impedance Y = 5 = 50 Ohm

Y = 7 = 75 Ohm



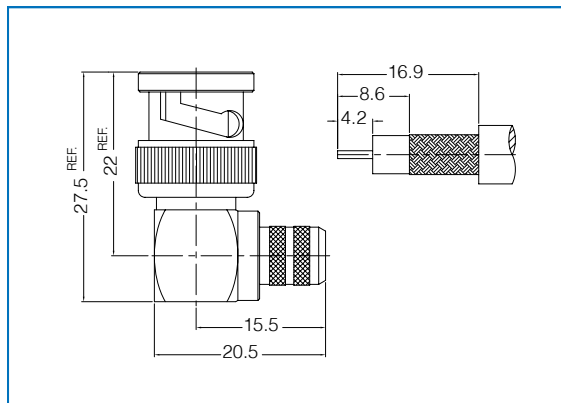
Right Angle Plug, Crimp

CYM21C-AXXN01

Cable group : 17, 18, 19, 20, 24

Impedance Y = 5 = 50 Ohm

Y = 7 = 75 Ohm



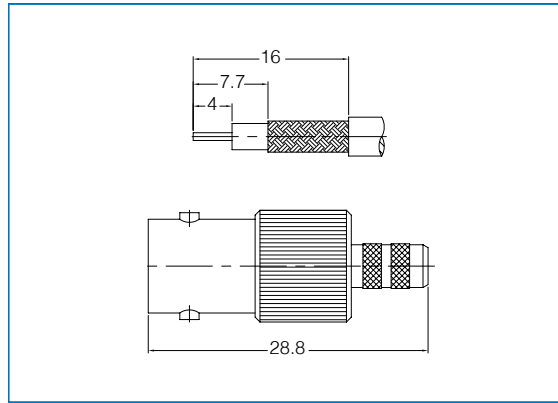
Straight Jack, Crimp

CYF11A-AXXN01

Cable group : [06](#), [07](#), [08](#), [09](#), [10](#), [11](#), [12](#),
[13](#), [14](#), [15](#), [16](#), [21](#), [22](#), [23](#), [25](#), [26](#), [27](#)

Impedance $Y = 5 = 50 \text{ Ohm}$

$Y = 7 = 75 \text{ Ohm}$



Cable Groups

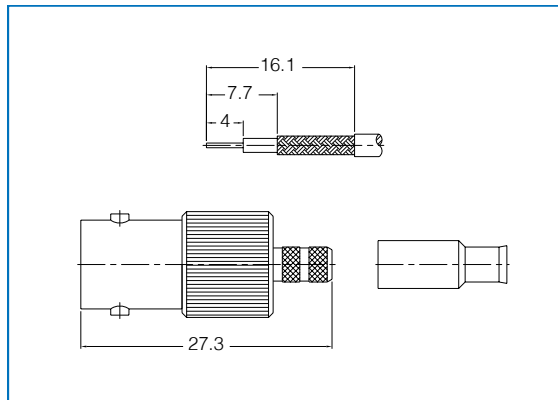
Straight Jack, Crimp with Delrin Sleeve

CYF11B-AXXN01

Cable group : [02](#), [03](#), [04](#), [05](#)

Impedance $Y = 5 = 50 \text{ Ohm}$

$Y = 7 = 75 \text{ Ohm}$



- | | | | | | |
|--|--------------------------------|-----------------------------------|-----------------------------------|-----------------------------|----------------------------|
| A01 - 500 - RG-178, 196 | A08 - 500 - LMR200 | A15 - 750 - RG-6 | A22 - 750 - AT&T 734A | A29 - 500 - 141SR, RG-402U | A37 - 750 - FLEX 5 |
| A02 - 500 - RG-174, 188A, 316, LMR100 | A09 - 500 - RG-59U Plenum | A16 - 500 - 8X, LMR240 | A23 - 750 - AT&T 735A | A30 - 500 - 1.13mm OD micro | A38 - 500 - 30-2V |
| A03 - 750 - RG-179, 187 | A10 - 750 - RG-59, 62 | A17 - 500 - LMR400, Belden 9913 | A24 - 500 - LMR600 | A31 - 500 - 1.32mm OD micro | A39 - 500 - 5P-2V |
| A04 - 500 - RD-316/U | A11 - 750 - Belden 1505A | A18 - 500 - RG-8, 9A, 9, 213, 214 | A25 - 750 - Belden 1696A | A32 - 500 - 1.37mm OD micro | A40 - 500 - 8D-2V |
| A05 - 750 - RD-179/U | A12 - 750 - Belden 8281 | A19 - 750 - RG6/U, Quad | A26 - 750 - Belden 8218 | A33 - 500 - 047SR cable | A41 - 500 - 5D-FB, LMR300 |
| A06 - 500 - RG-58, 58A, 58C, 141, LMR195 | A13 - 750 - RG-59U Quad Shield | A20 - 750 - RG-11 | A27 - 750 - BT-3002 | A34 - 750 - FLEX 2 | A42 - 500 - 1/4" Superflex |
| A07 - 500 - RG-55, 142, 223, 400 | A14 - 750 - RG-59U Plenum | A21 - 750 - Belden 1694A | A28 - 500 - 0885, 0885RF, RG-405U | A35 - 750 - FLEX 3 | A43 - 500 - 1/2" Superflex |

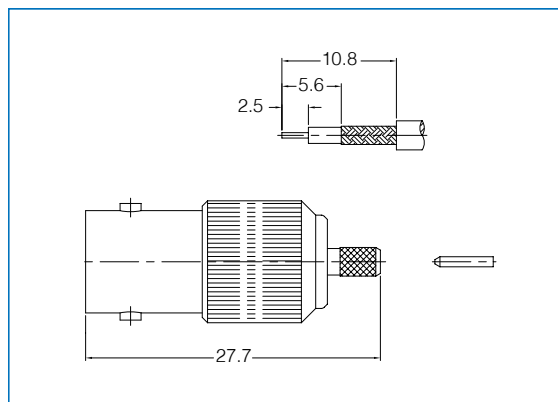
Straight Jack, Crimp-Pin in Pin

CYF14A-AXXN01

Cable group : [01](#), [02](#), [03](#), [04](#), [05](#)

Impedance $Y = 5 = 50 \text{ Ohm}$

$Y = 7 = 75 \text{ Ohm}$



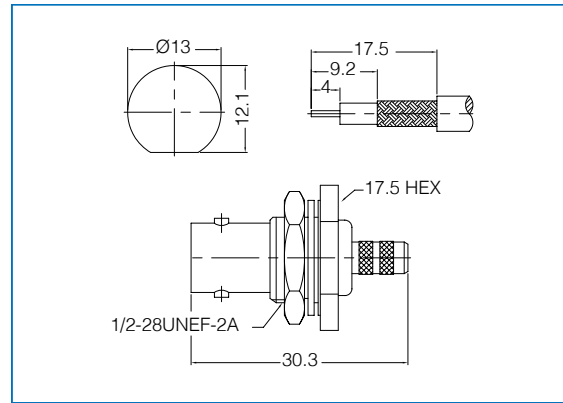
Bulkhead Jack, Crimp

CYF31A-AXXN01

Cable group : 06, 07, 08, 09, 10, 11, 12, 13, 14, 15, 16, 21, 22, 23, 25, 26, 27

Impedance Y = 5 = 50 Ohm

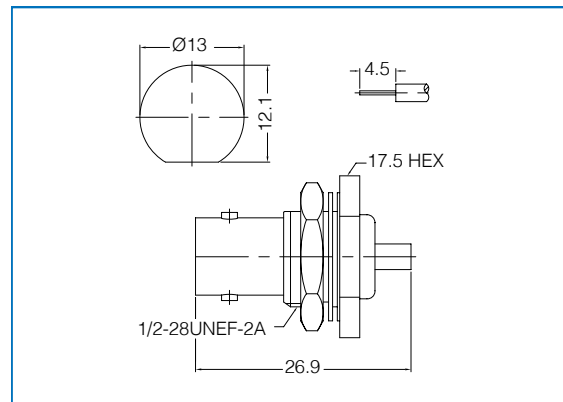
Y = 7 = 75 Ohm



Bulkhead Jack, Solder

C5F31B-AXXN01

Cable group : 28, 29, 33



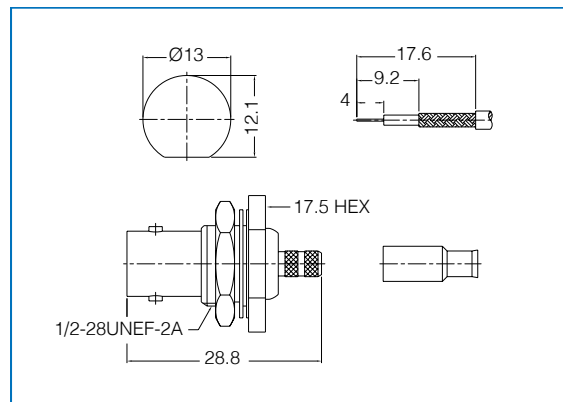
Bulkhead Jack, Crimp with Delrin Sleeve

CYF31C-AXXN01

Cable group : 02, 03, 04, 05

Impedance Y = 5 = 50 Ohm

Y = 7 = 75 Ohm



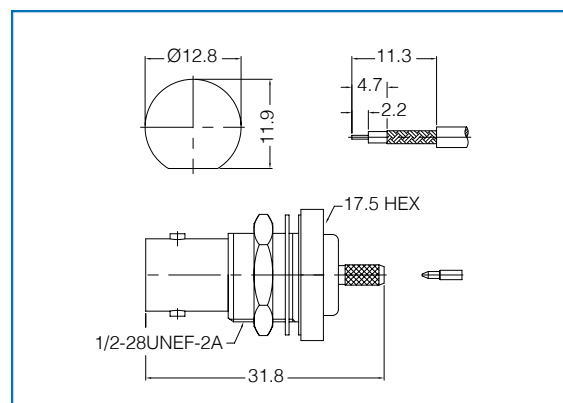
Bulkhead Jack, Crimp-Pin in Pin

CYF32A-AXXN01

Cable group : 01, 02, 03, 04, 05

Impedance Y = 5 = 50 Ohm

Y = 7 = 75 Ohm



Twist-on Plug

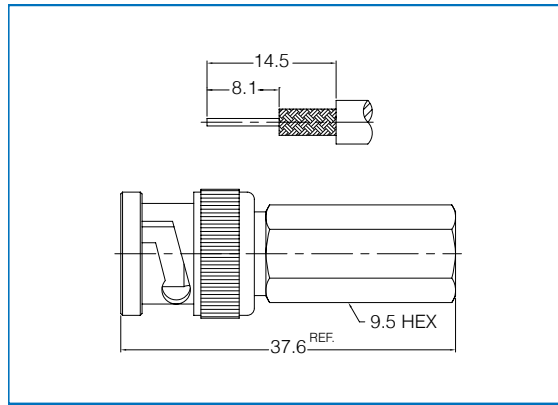
CYM16A-AXXN01

Cable group : [06](#), [09](#), [10](#), [11](#), [14](#)

* Solid Center Conductor Only

Impedance $Y = 5 = 50 \text{ Ohm}$

$Y = 7 = 75 \text{ Ohm}$



Cable Groups

Twist-on Jack

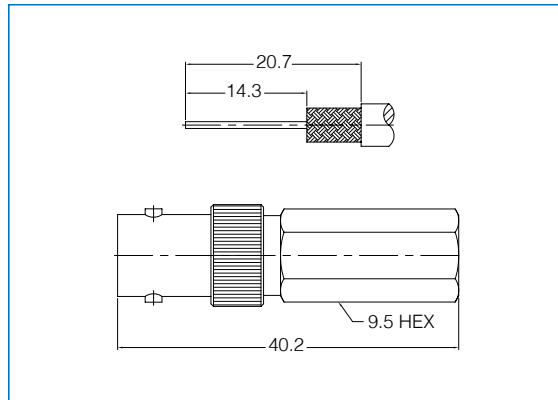
CYF16A-AXXN01

Cable group : [06](#), [09](#), [10](#), [11](#), [14](#)

* Solid Center Conductor Only

Impedance $Y = 5 = 50 \text{ Ohm}$

$Y = 7 = 75 \text{ Ohm}$



A01 - 500 - RG-178, 198
A02 - 500 - RG-174, 188A, 316, LMR100
A03 - 750 - RG-179, 187
A04 - 500 - RD-316/U
A05 - 750 - RD-179/U
A06 - 500 - RG-58, 58A, 58C, 141, LMR195
A07 - 500 - RG-55, 142, 223, 400
A08 - 500 - LMR200
A09 - 500 - RG-59/U Plenum
A10 - 750 - RG-59, 62
A11 - 750 - Belden 1505A
A12 - 750 - Belden 8281
A13 - 750 - RG-59/U Quad Shield
A14 - 750 - RG-59/U Plenum

Straight Plug, Clamp

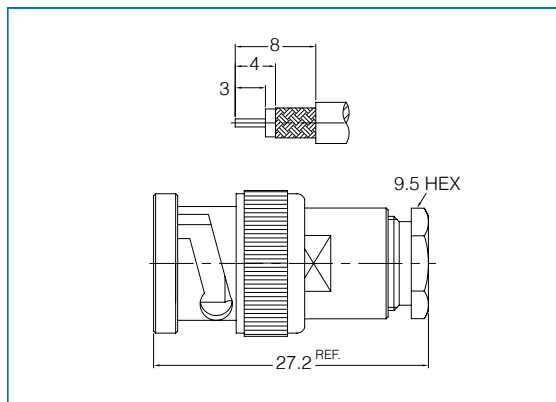
CYM17A-AXXN01

Cable group : [06](#), [10](#)

* Solid Center Conductor Only

Impedance $Y = 5 = 50 \text{ Ohm}$

$Y = 7 = 75 \text{ Ohm}$



A15 - 750 - RG-6
A16 - 500 - 8X, LMR240
A17 - 500 - LMR400, Belden 9913
A18 - 500 - RG-8, 8A, 9, 213, 214
A19 - 750 - RG6/U, Quad
A20 - 750 - RG-11
A21 - 750 - Belden 1694A
A22 - 750 - AT&T 734A
A23 - 750 - AT&T 735A
A24 - 500 - LMR600
A25 - 750 - Belden 1695A
A26 - 750 - Belden 8218
A27 - 750 - BT-3002
A28 - 500 - 0885R, RG-405/U

Straight Jack, Clamp

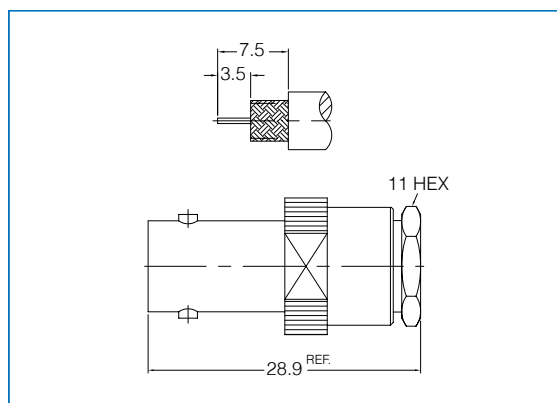
CYF17A-AXXN01

Cable group : [06](#), [10](#)

* Solid Center Conductor Only

Impedance $Y = 5 = 50 \text{ Ohm}$

$Y = 7 = 75 \text{ Ohm}$



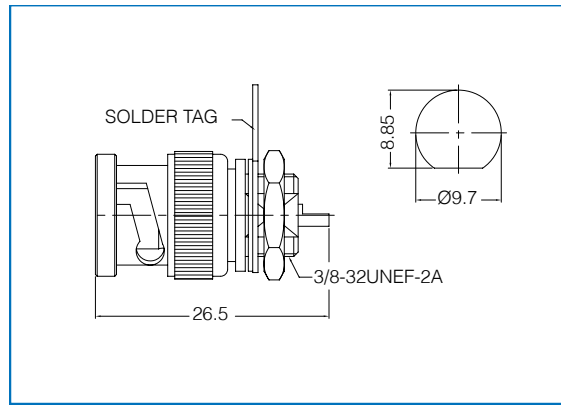
A29 - 500 - 141SR, RG-402/U
A30 - 500 - 1.31mm OD micro
A31 - 500 - 1.32mm OD micro
A32 - 500 - 1.37mm OD micro
A33 - 500 - 047SR cable
A34 - 750 - FLEX 2
A35 - 750 - FLEX 3
A37 - 750 - FLEX 5
A38 - 500 - 30-2V
A39 - 500 - 5D-2V
A40 - 500 - 8D-2V
A41 - 500 - 5D-FB, LMR300
A42 - 500 - 1/4" Superflex
A43 - 500 - 1/2" Superflex

BNC

Bulkhead Receptacle Plug

CYM31A-RECN01

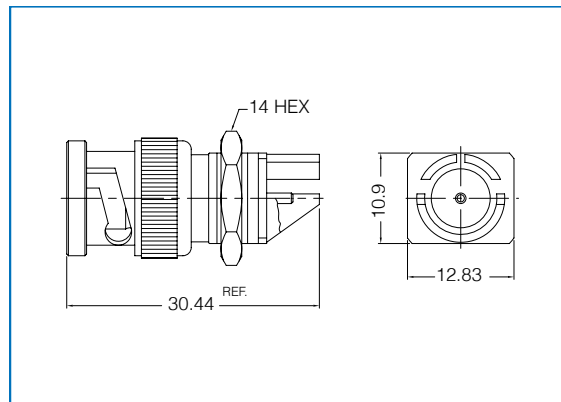
Impedance $\underline{Y = 5 = 50 \text{ Ohm}}$
 $\underline{Y = 7 = 75 \text{ Ohm}}$



End Launch Receptacle Plug

CYM31B-RECN01

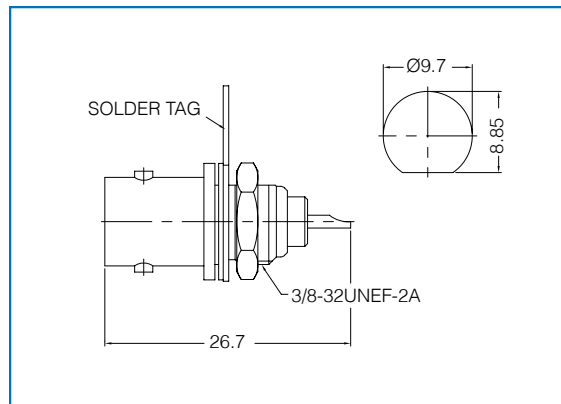
Impedance $\underline{Y = 5 = 50 \text{ Ohm}}$
 $\underline{Y = 7 = 75 \text{ Ohm}}$



Bulkhead Receptacle Jack

CYF31A-RECN01

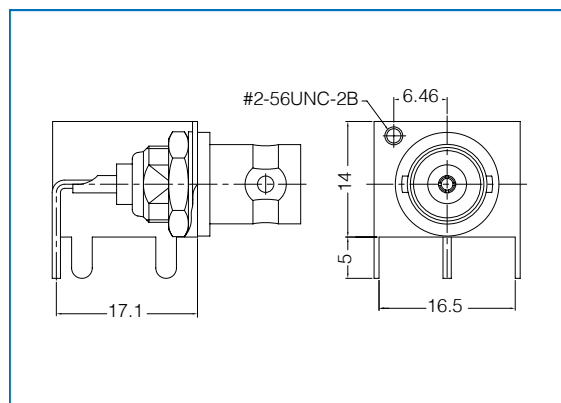
Impedance $\underline{Y = 5 = 50 \text{ Ohm}}$
 $\underline{Y = 7 = 75 \text{ Ohm}}$



Bulkhead Receptacle Jack with Bracket

C5F31B-TPCN01

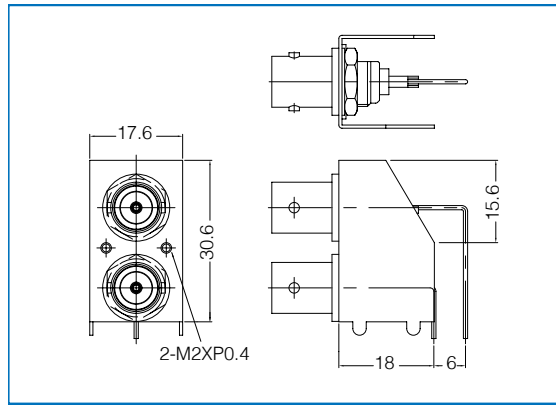
* Material : Die Cast



Dual BNC Bulkhead Receptacle Jack with Bracket

C7F32B-TPCN01

* Material : Die Cast

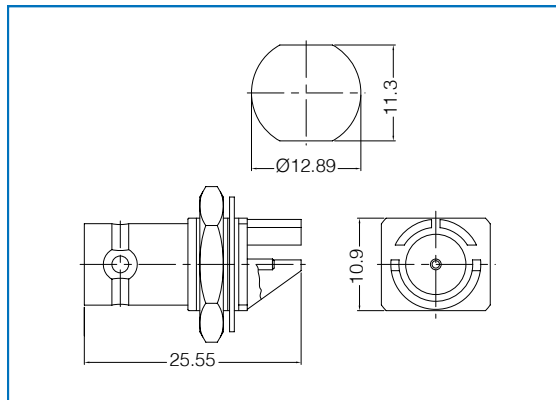


End Launch Receptacle Jack

CYF31B-RECN01

Impedance $Y = 5 = 50 \text{ Ohm}$

$Y = 7 = 75 \text{ Ohm}$

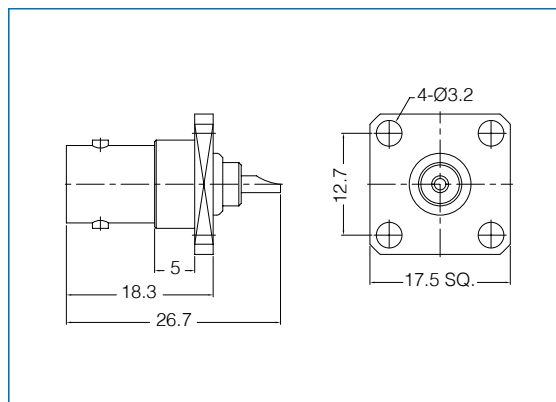


Panel Receptacle Jack

CYF41A-4HLN01

Impedance $Y = 5 = 50 \text{ Ohm}$

$Y = 7 = 75 \text{ Ohm}$

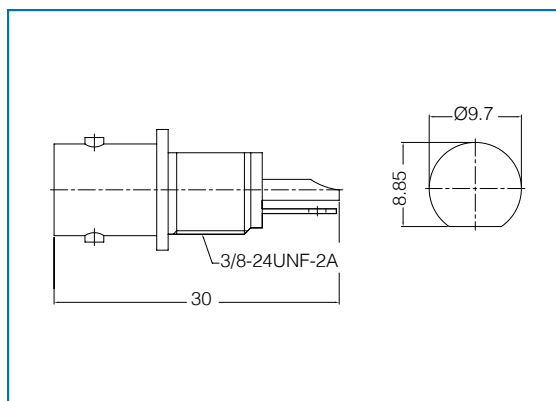


Bulkhead Isolated Receptacle Jack

CYF32A-RECN01

Impedance $Y = 5 = 50 \text{ Ohm}$

$Y = 7 = 75 \text{ Ohm}$



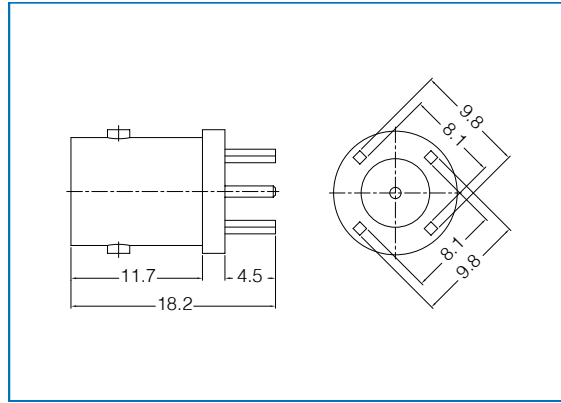
Straight Jack, PCB Mount

CYF11A-TPCN01

* Mounting hole : "C"

Impedance $Y = 5 = 50 \text{ Ohm}$

$Y = 7 = 75 \text{ Ohm}$



Right Angle Jack, PCB Mount

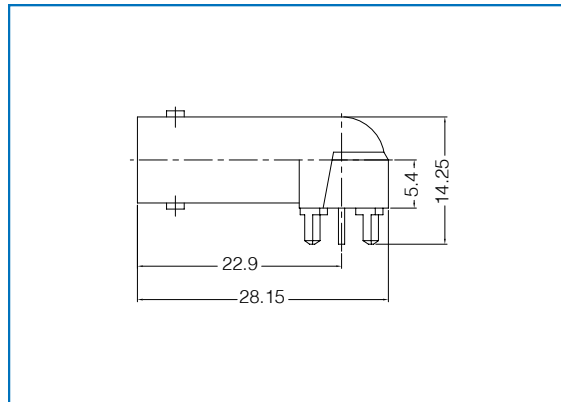
CYF21A-TPCN01

* Mounting hole : "R"

* Material : Die Cast

Impedance $Y = 5 = 50 \text{ Ohm}$

$Y = 7 = 75 \text{ Ohm}$



Bulkhead Right Angle Jack, PCB Mount

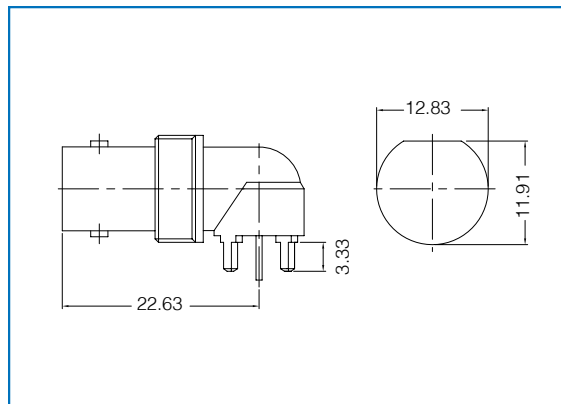
CYF22A-TPCN01

* Mounting hole : "R"

* Material : Die Cast

Impedance $Y = 5 = 50 \text{ Ohm}$

$Y = 7 = 75 \text{ Ohm}$



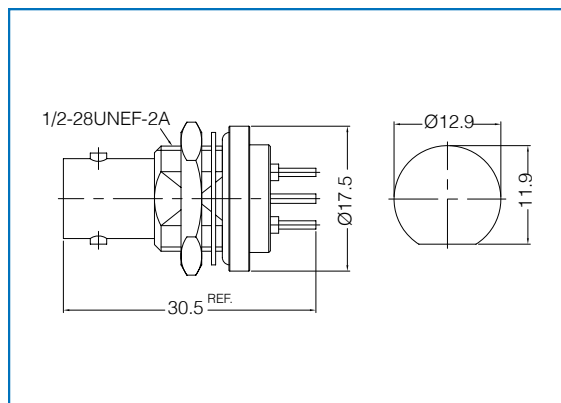
Bulkhead PCB Mount Receptacle Jack

CYF33A-TPCN01

* Mounting hole : "W"

Impedance $Y = 5 = 50 \text{ Ohm}$

$Y = 7 = 75 \text{ Ohm}$



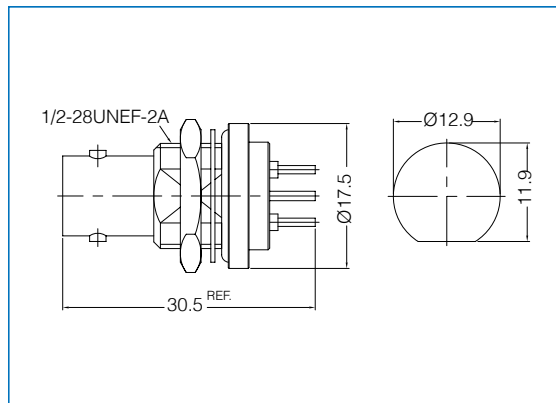
Bulkhead PCB Mount Receptacle Jack, IP67

CYF33B-TPCN01

* Mounting hole : "W"

Impedance $Y = 5 = 50 \text{ Ohm}$

$Y = 7 = 75 \text{ Ohm}$

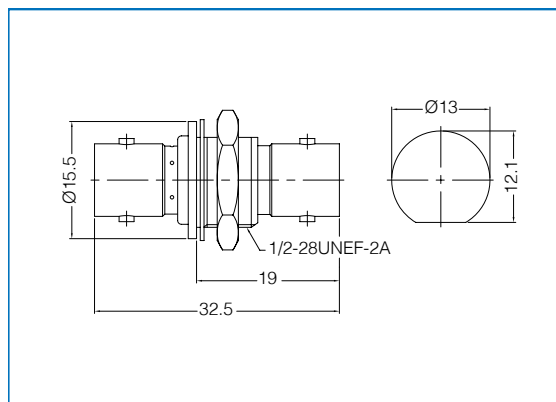


Bulkhead Isolated Adapter, Jack to Jack

CYF31A-ADPN01

Impedance $Y = 5 = 50 \text{ Ohm}$

$Y = 7 = 75 \text{ Ohm}$

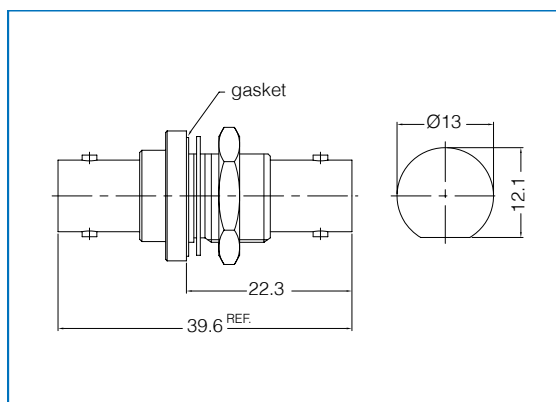


Bulkhead Adapter, Jack to Jack

CYF32A-ADPN01

Impedance $Y = 5 = 50 \text{ Ohm}$

$Y = 7 = 75 \text{ Ohm}$

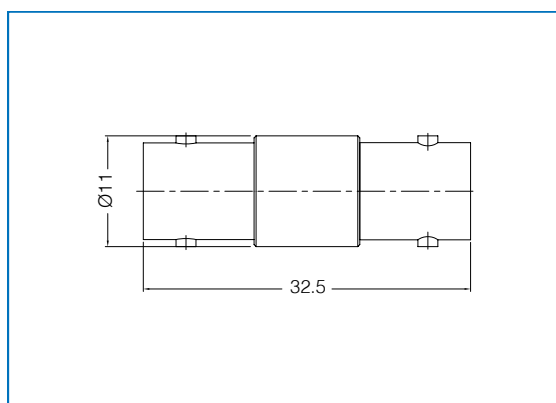


Adapter, Jack to Jack

CYF11A-ADPN01

Impedance $Y = 5 = 50 \text{ Ohm}$

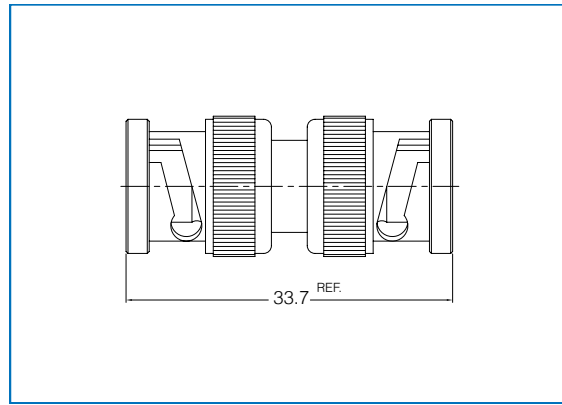
$Y = 7 = 75 \text{ Ohm}$



Adapter, Plug to Plug

CYM11A-ADPN01

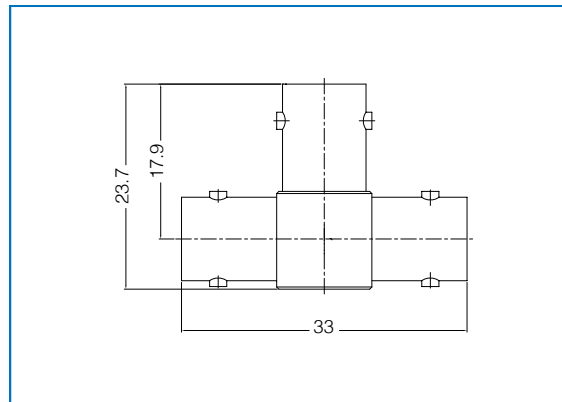
Impedance Y = 5 = 50 Ohm
 Y = 7 = 75 Ohm



**“T” Adapter,
Jack to Jack to Jack**

CYF51A-ADPN01

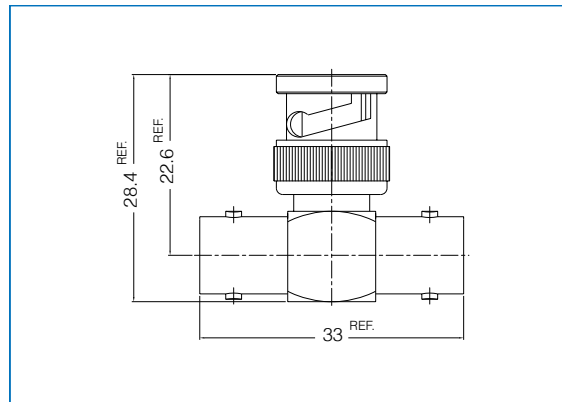
Impedance Y = 5 = 50 Ohm
 Y = 7 = 75 Ohm



**“T” Adapter,
Jack to Plug to Jack**

CYA51A-ADPN01

Impedance Y = 5 = 50 Ohm
 Y = 7 = 75 Ohm

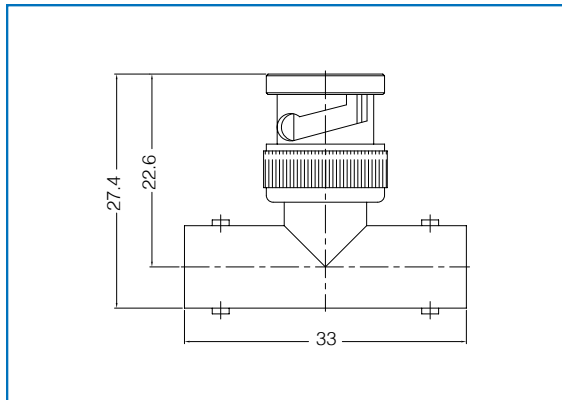


**“T” Adapter,
Jack to Plug to Jack**

CYA52A-ADPN01

* Material : Die Cast

Impedance Y = 5 = 50 Ohm
 Y = 7 = 75 Ohm

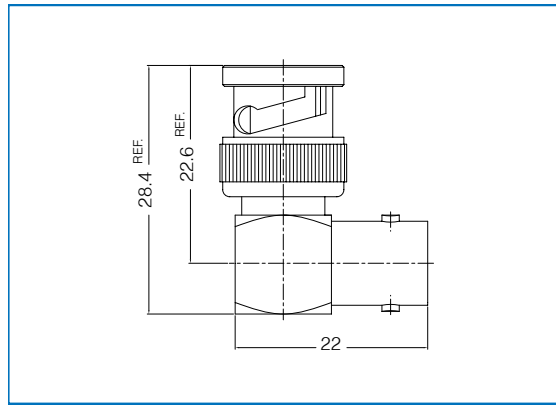


**Right Angle Adapter,
Plug to Jack**

CYA21A-ADPN01

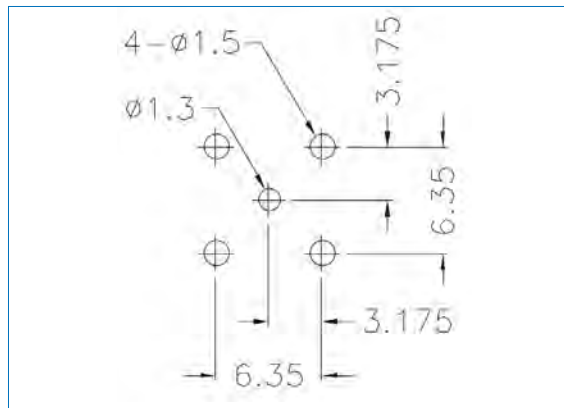
Impedance $Y = 5 = 50 \text{ Ohm}$

$Y = 7 = 75 \text{ Ohm}$

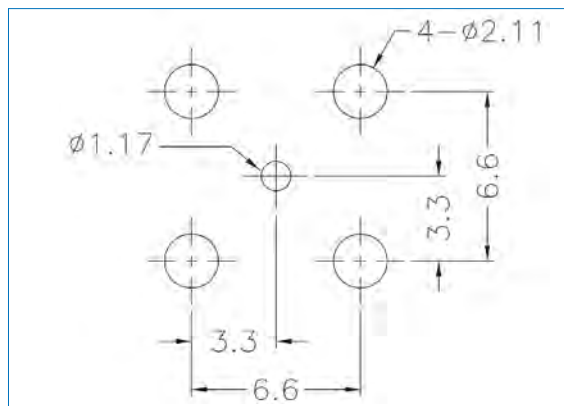


PCB Layouts

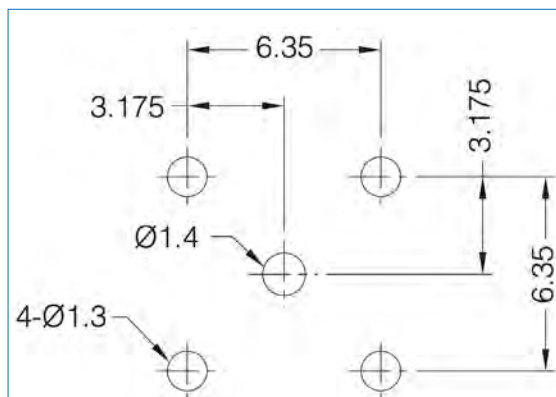
Layout-C



Layout-R



Layout-W



TNC Series - T5 (50 Ω) / T7 (75 Ω)



Features :

- Similar to BNC connector
- Threaded coupling interface
- Ideal in vibration-intensive applications
- 50 Ω and 75 Ω , connectors are available
- Delrin or Teflon insulator is optional
- Many cable choices available

Applications :

- Antennas
- Telecom Base Stations
- In-Building Networks
- Telecom
- RFID Tag Antenna
- Instrumentation

ELECTRICAL SPECIFICATIONS

<u>Impedance</u>	<u>50 Ω / 75 Ω</u>
<u>Frequency Range</u>	<u>0 – 11 GHz / 0 – 3 GHz</u>
<u>Working Voltage</u>	<u>\geq 500 VRMS</u>
<u>Dielectric Withstanding Voltage</u>	<u>1500 VRMS at sea level</u>
<u>VSWR</u>	<u>Straight : 1.15 max</u>
	<u>Right Angle : 1.2 max</u>
<u>Contact Resistance</u>	<u>Center Contact : \leq 1.5 mΩ</u>
	<u>Outer Contact : \leq 0.2 mΩ</u>
<u>Insulation Resistance</u>	<u>5,000 MΩ min.</u>
<u>Insertion loss</u>	<u>0.2dB max.</u>

MATERIAL SPECIFICATIONS

<u>Body and outer contacts</u>	<u>Brass, nickel plated</u>
<u>Male contact</u>	<u>Brass, gold plated</u>
<u>Female contact</u>	<u>Phosphor Bronze, gold plated</u>
<u>Insulator</u>	<u>Delrin or PTFE</u>
<u>Crimp ferrule</u>	<u>Copper or brass, nickel plated</u>

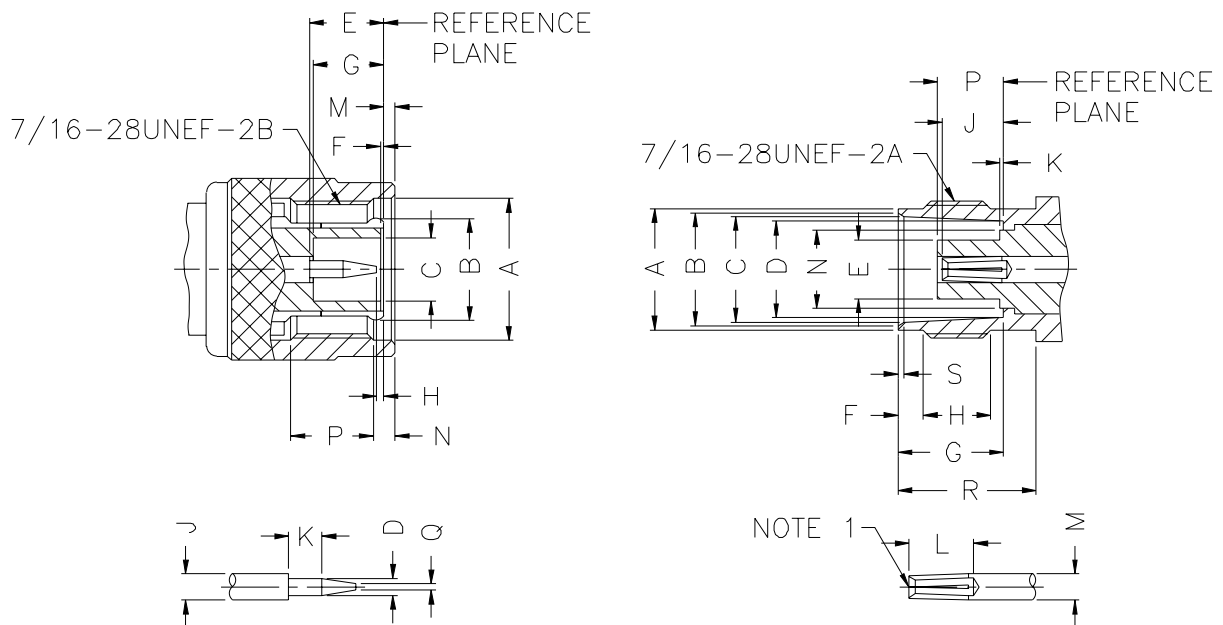
MECHANICAL SPECIFICATIONS

<u>Coupling nut retention force</u>	<u>100 lbs</u>
<u>Center contact Retention</u>	<u>\geq 6 lbs</u>
<u>Engagement force</u>	<u>\leq 2 in-lbs</u>
<u>Disengagement force</u>	<u>\geq 2 in-lbs</u>
<u>Cable retention</u>	<u>20 - 70 lbs</u>
<u>Durability (matings)</u>	<u>500 cycles min.</u>

ENVIRONMENTAL

<u>Temperature Range</u>	<u>-65$^{\circ}$C to +165$^{\circ}$C</u>
--------------------------	--

INTERFACE MATING DIMENSIONS



PLUG		
Letter	Millimeters	
	Minimum	Maximum
A	11.18	-
B	Flared To Meet Good Electrical Contact	
C	4.83	-
D	1.32	1.37
E	5.33	5.84
F	0.15	0.46
G	5.28	5.79
H	0.08	1.02
J	2.06	2.21
K	1.98	-
M	-	1.98
N	1.60	-
P	3.96	-
Q	-	0.64

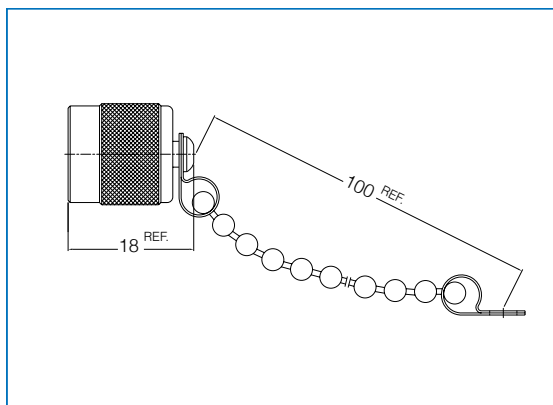
JACK		
Letter	Millimeters	
	Minimum	Maximum
A	9.60	9.70
B	8.79	9.04
C	8.31	8.46
D	8.10	8.15
E	-	4.72
F	1.73	2.24
G	8.31	8.51
H	4.75	-
J	4.72	5.23
K	-	0.15
L	4.95	-
M	2.06	2.21
N	-	6.50
P	4.78	5.28
R	10.52	-
S	0.38	0.76

Note 1 : I.D. to meet VSWR and contact resistance when mated with 1.32/1.37 mm dia. pin.

Male Cap with Chain

T5M11A-TERN01

* Chain Length : 100 mm



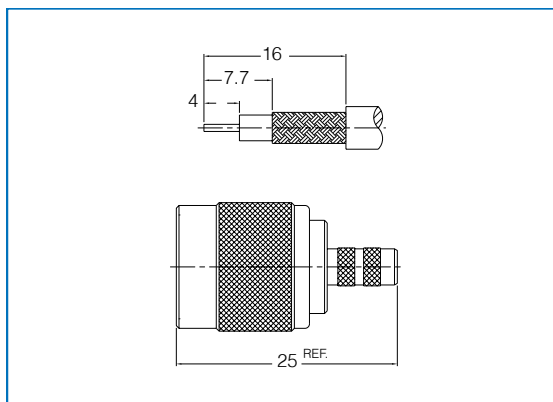
Straight Plug, Crimp

TYM11A-AXXN01

Cable group : 06, 07, 08, 09, 10, 11, 12,
16, 22, 23, 26, 27

Impedance $Y = 5 = 50 \text{ Ohm}$

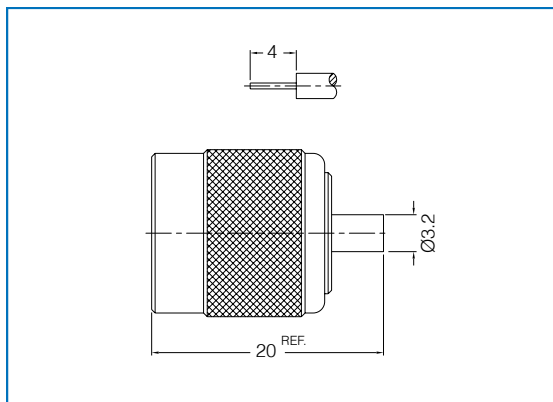
$Y = 7 = 75 \text{ Ohm}$



Straight Plug, Solder

T5M11B-AXXN01

Cable group : 28, 29, 33



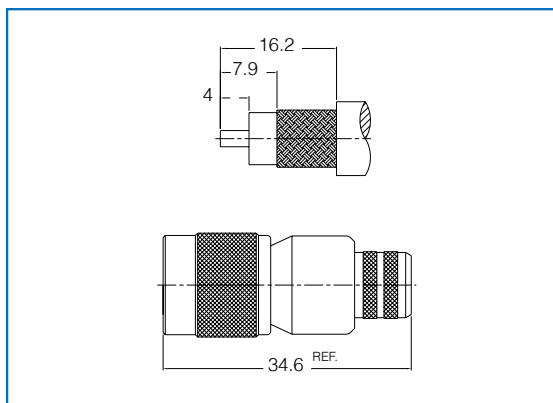
Straight Plug, Crimp

TYM11C-AXXN01

Cable group : 17, 18, 20

Impedance $Y = 5 = 50 \text{ Ohm}$

$Y = 7 = 75 \text{ Ohm}$



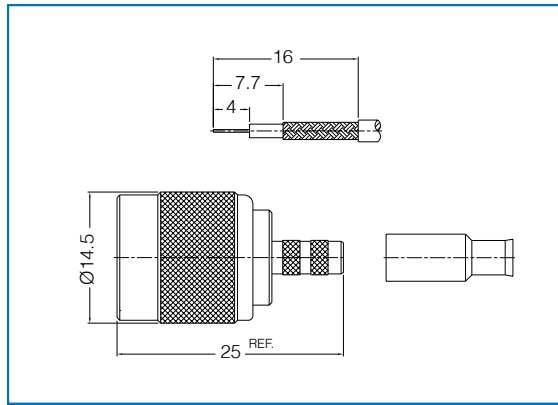
Straight Plug, Crimp-with Delrin Sleeve

TYM11D-AXXN01

Cable group : [02](#), [03](#), [04](#), [05](#)

Impedance $Y = 5 = 50 \text{ Ohm}$

$Y = 7 = 75 \text{ Ohm}$



Cable Groups

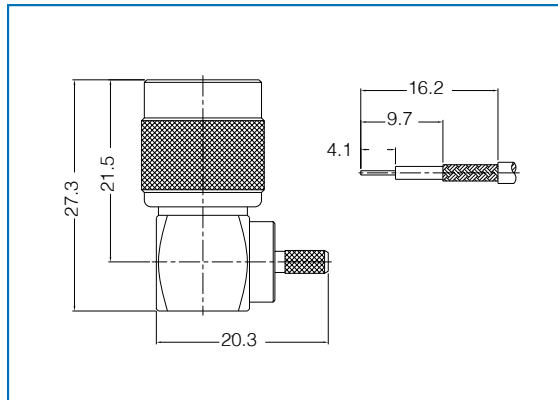
Right Angle Plug, Crimp

TYM21A-AXXN01

Cable group : [02](#), [03](#), [04](#), [05](#), [06](#), [07](#), [08](#),
[09](#), [10](#), [11](#), [12](#), [16](#), [22](#), [25](#), [26](#)

Impedance $Y = 5 = 50 \text{ Ohm}$

$Y = 7 = 75 \text{ Ohm}$



A01 - 500 - RG-178, 196	A08 - 500 - LMR200	A15 - 750 - RG-6	A22 - 750 - AT&T 734A	A29 - 500 - 141SR, RG-402U	A37 - 750 - FLEX 5
A02 - 500 - RG-174, 188A, 316, LMR100	A09 - 500 - RG-59U Plenum	A16 - 500 - 8X, LMR240	A23 - 750 - AT&T 735A	A30 - 500 - 1.13mm OD micro	A38 - 500 - 3D-2V
A03 - 750 - RG-179, 187	A10 - 750 - RG-59, 62	A17 - 500 - LMR400, Belden 9913	A24 - 500 - LMR800	A31 - 500 - 1.32mm OD micro	A39 - 500 - 5D-2V
A04 - 500 - RD-316U	A11 - 750 - Belden 1505A	A18 - 500 - RG-8, 9A, 9, 213, 214	A25 - 750 - Belden 1695A	A32 - 500 - 1.37mm OD micro	A40 - 500 - 8D-2V
A05 - 750 - RD-179U	A12 - 750 - Belden 8281	A19 - 750 - RG6U, Quad	A26 - 750 - Belden 8218	A33 - 500 - 047SR cable	A41 - 500 - 5D-FB, LMR300
A06 - 500 - RG-58, 58A, 58C, 141, LMR195	A13 - 750 - RG-59U Quad Shield	A20 - 750 - RG-11	A27 - 750 - BT-3002	A34 - 750 - FLEX 2	A42 - 500 - 1/4" Superflex
A07 - 500 - RG-55, 142, 223, 400	A14 - 750 - RG-59U Plenum	A21 - 750 - Belden 1694A	A28 - 500 - 0885R, RG-405U	A35 - 750 - FLEX 3	A43 - 500 - 1/2" Superflex

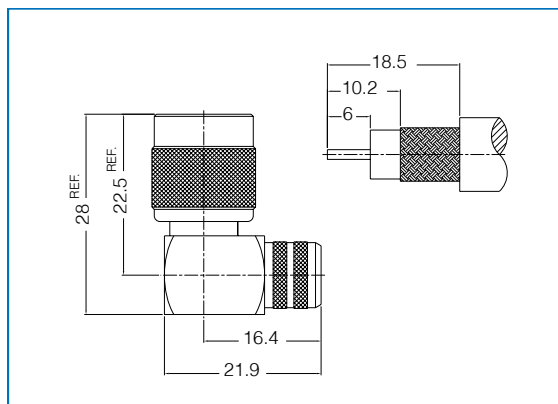
Right Angle Plug, Crimp

TYM21C-AXXN01

Cable group : [17](#), [18](#), [20](#)

Impedance $Y = 5 = 50 \text{ Ohm}$

$Y = 7 = 75 \text{ Ohm}$



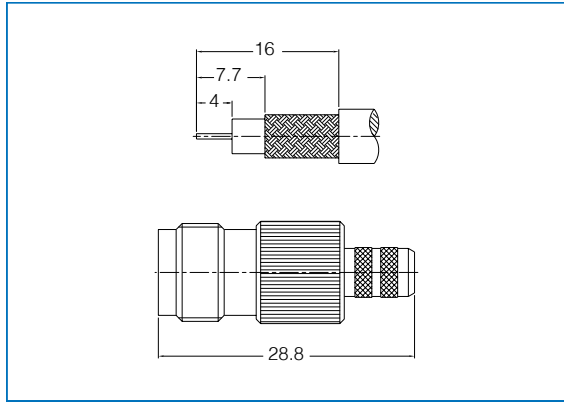
Straight Jack, Crimp

TYF11A-AXXN01

Cable group : [06](#), [07](#), [08](#), [09](#), [10](#), [11](#), [12](#),
[16](#), [22](#), [23](#), [26](#), [27](#)

Impedance $Y = 5 = 50 \text{ Ohm}$

$Y = 7 = 75 \text{ Ohm}$



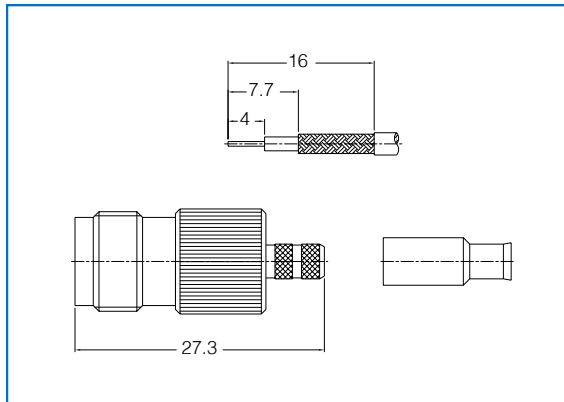
Straight Jack, Crimp with Delrin Sleeve

TYF11D-AXXN01

Cable group : [02](#), [03](#), [04](#), [05](#)

Impedance $Y = 5 = 50 \text{ Ohm}$

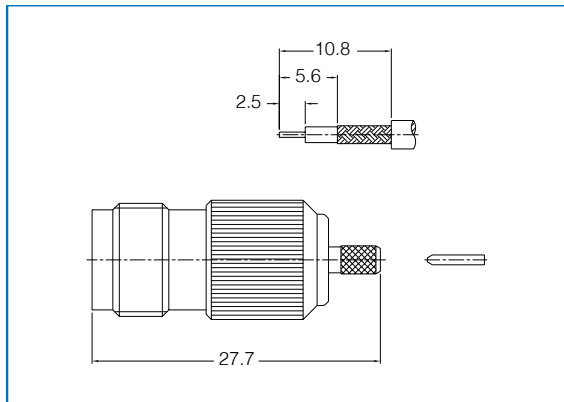
$Y = 7 = 75 \text{ Ohm}$



Straight Jack, Crimp-Pin in Pin

T5F11B-AXXN01

Cable group : [01](#), [02](#), [03](#), [04](#), [05](#)



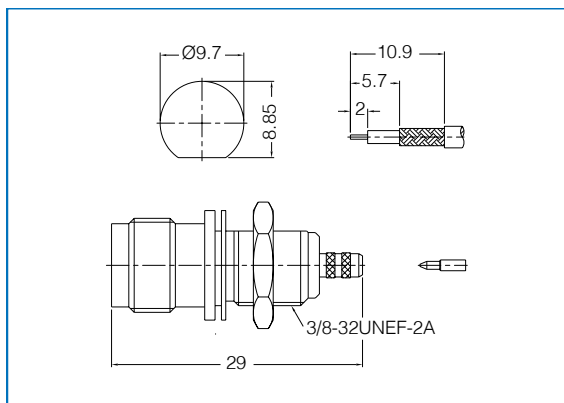
Bulkhead Jack, Crimp-Front Mount

TYF31A-AXXN01

Cable group : [02](#), [03](#), [04](#), [05](#)

Impedance $Y = 5 = 50 \text{ Ohm}$

$Y = 7 = 75 \text{ Ohm}$



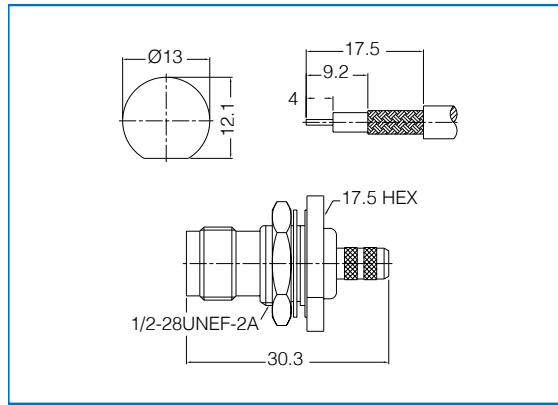
Bulkhead Jack, Crimp

TYF31C-AXXN01

Cable group : [06](#), [07](#), [08](#), [09](#), [10](#), [11](#), [12](#),
[16](#), [22](#), [23](#), [26](#), [27](#)

Impedance Y = 5 = 50 Ohm

Y = 7 = 75 Ohm



Cable Groups

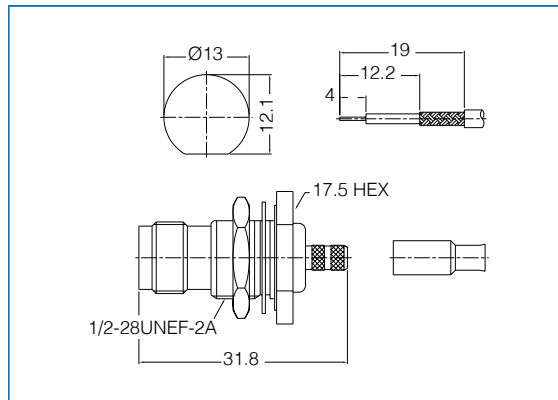
Bulkhead Jack, Crimp with Delrin Sleeve

TYF31D-AXXN01

Cable group : [02](#), [03](#), [04](#), [05](#)

Impedance Y = 5 = 50 Ohm

Y = 7 = 75 Ohm

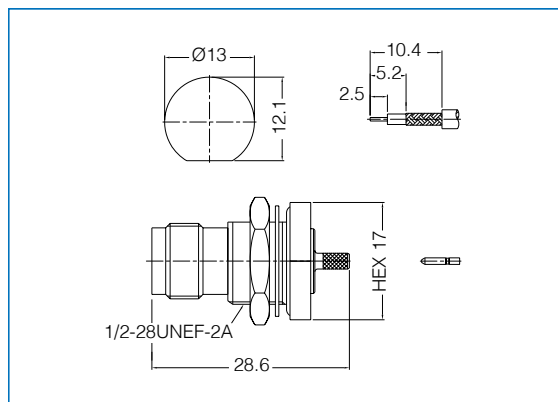


- | | | | | | |
|--|--------------------------------|-----------------------------------|-----------------------------------|-----------------------------|----------------------------|
| A01 - 500 - RG-178, 198 | A08 - 500 - LMR200 | A15 - 750 - RG-6 | A22 - 750 - AT&T 734A | A29 - 500 - 141SR, RG-402U | A37 - 750 - FLEX 5 |
| A02 - 500 - RG-174, 188A, 316, LMR100 | A09 - 500 - RG-59U Plenum | A16 - 500 - 8X, LMR240 | A23 - 750 - AT&T 735A | A30 - 500 - 1.13mm OD micro | A38 - 500 - 3D-2V |
| A03 - 750 - RG-179, 187 | A10 - 750 - RG-59, 62 | A17 - 500 - LMR400, Belden 9913 | A24 - 500 - LMR800 | A31 - 500 - 1.32mm OD micro | A39 - 500 - 5D-2V |
| A04 - 500 - RD-316U | A11 - 750 - Belden 1505A | A18 - 500 - RG-8, 9A, 9, 213, 214 | A25 - 750 - Belden 1695A | A32 - 500 - 1.37mm OD micro | A40 - 500 - 8D-2V |
| A05 - 750 - RD-179U | A12 - 750 - Belden 8281 | A19 - 750 - RG6U, Quad | A26 - 750 - Belden 8218 | A33 - 500 - 047SR cable | A41 - 500 - 5D-FB, LMR300 |
| A06 - 500 - RG-58, 58A, 58C, 141, LMR195 | A13 - 750 - RG-59U Quad Shield | A20 - 750 - BT-3002 | A27 - 750 - BT-3002 | A34 - 750 - FLEX 2 | A42 - 500 - 1/4" Superflex |
| A07 - 500 - RG-55, 142, 223, 400 | A14 - 750 - RG-59U Plenum | A21 - 750 - Belden 1694A | A28 - 500 - 0885, 0885RF, RG-405U | A35 - 750 - FLEX 3 | A43 - 500 - 1/2" Superflex |

Bulkhead Jack, Crimp-Pin in Pin

T5F31B-AXXN01

Cable group : [01](#), [02](#), [03](#), [04](#), [05](#)



Twist-on Plug

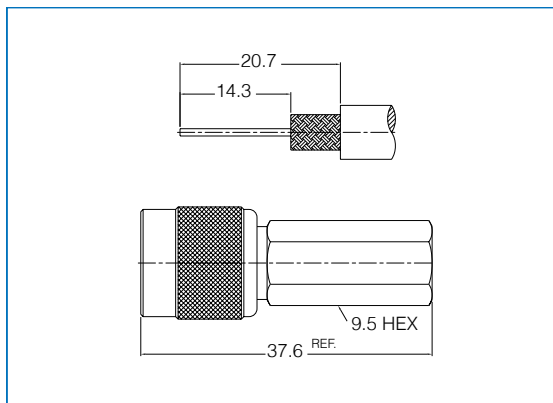
TYM12A-AXXN01

Cable group : 06, 10

* Solid Center Conductor Only

Impedance Y = 5 = 50 Ohm

Y = 7 = 75 Ohm



Twist-on Jack

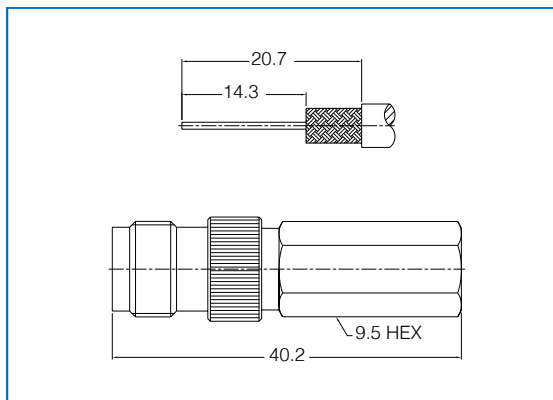
TYF13A-AXXN01

Cable group : 06, 10

* Solid Center Conductor Only

Impedance Y = 5 = 50 Ohm

Y = 7 = 75 Ohm



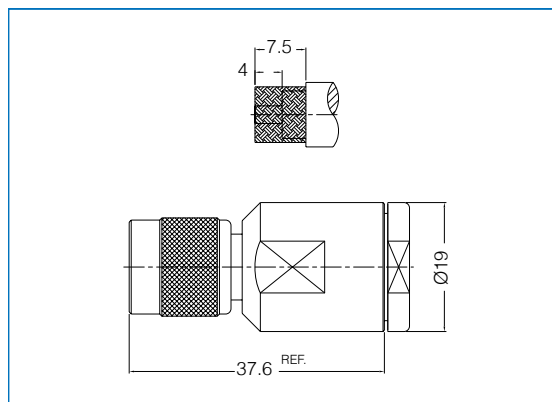
Straight Plug, Clamp

TYM14A-AXXN01

Cable group : 17, 18, 20

Impedance Y = 5 = 50 Ohm

Y = 7 = 75 Ohm



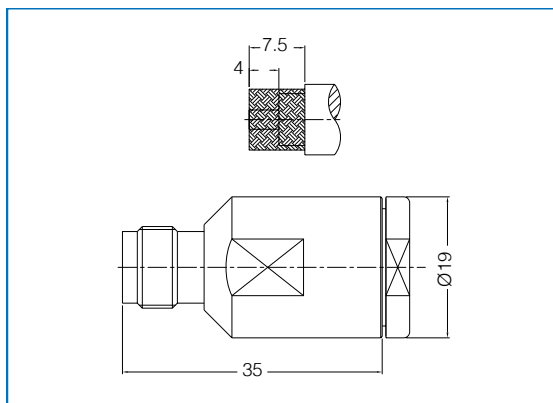
Straight Jack, Clamp

TYF14A-AXXN01

Cable group : 17, 18, 20

Impedance Y = 5 = 50 Ohm

Y = 7 = 75 Ohm

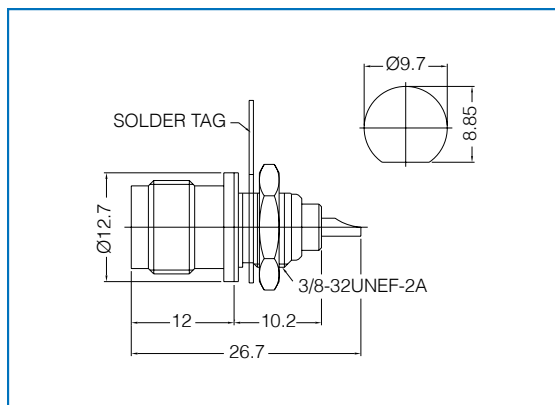


Bulkhead Jack, Receptacle

TYF31A-RECNO1

Impedance Y = 5 = 50 Ohm

Y = 7 = 75 Ohm



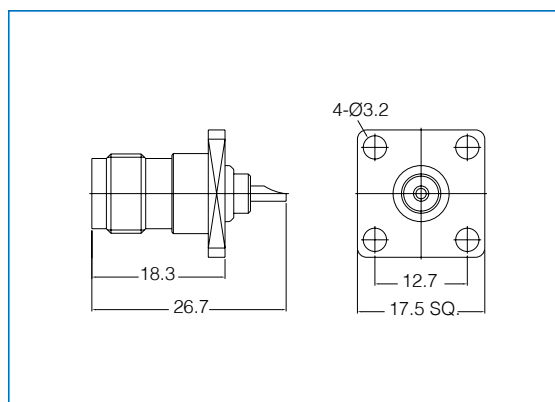
Cable Groups

Panel Jack, Receptacle 4 Hole Flange

TYF41A-4HNLN01

Impedance Y = 5 = 50 Ohm

Y = 7 = 75 Ohm



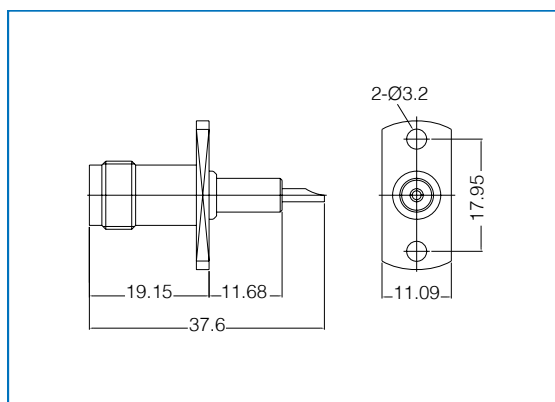
A01 - 500 - RG-178, 196
A02 - 500 - RG-174, 188A, 316, LMR100
A03 - 750 - RG-179, 187
A04 - 500 - RD-316U
A05 - 750 - RD-179U
A06 - 500 - RG-58, 58A, 58C, 141, LMR195
A07 - 500 - RG-55, 142, 223, 400
A08 - 500 - LMR200
A09 - 500 - RG-59U Plenum
A10 - 750 - RG-59, 62
A11 - 750 - Belden 1505A
A12 - 750 - Belden 8281
A13 - 750 - RG-59U Quad Shield
A14 - 750 - RG-59U Plenum

Panel Jack, Receptacle 2 Hole Flange

TYF11A-2HNLN01

Impedance Y = 5 = 50 Ohm

Y = 7 = 75 Ohm



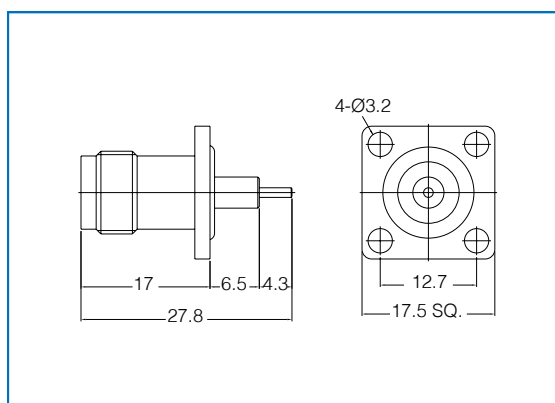
A15 - 750 - RG-6
A16 - 500 - 8X, LMR240
A17 - 500 - LMR400, Belden 9913
A18 - 500 - RG-8, 8A, 9, 213, 214
A19 - 750 - RG6U, Quad
A20 - 750 - RG-11
A21 - 750 - Belden 1694A
A22 - 750 - AT&T 734A
A23 - 750 - AT&T 735A
A24 - 500 - LMR600
A25 - 750 - Belden 1695A
A26 - 750 - Belden 8218
A27 - 750 - BT-3002
A28 - 500 - 0885R, RG-405U

Panel Jack, with O-ring 4 Hole Flange

TYF42A-4HNLN01

Impedance Y = 5 = 50 Ohm

Y = 7 = 75 Ohm



A29 - 500 - 141SR, RG-402U
A30 - 500 - 1.13mm OD micro
A31 - 500 - 1.32mm OD micro
A32 - 500 - 1.37mm OD micro
A33 - 500 - 047SR cable
A34 - 750 - FLEX 2
A35 - 750 - FLEX 3
A37 - 750 - FLEX 5
A38 - 500 - 30-2V
A39 - 500 - 5P-2V
A40 - 500 - 8D-2V
A41 - 500 - 5D-FB, LMR300
A42 - 500 - 1/4" Superflex
A43 - 500 - 1/2" Superflex

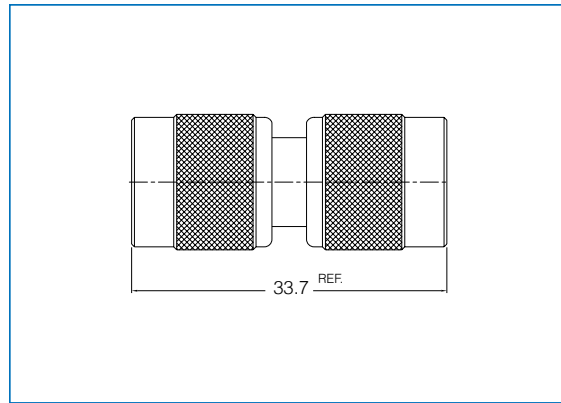
TNC

Adapter, Plug to Plug

TYM11A-ADPN01

Impedance $Y = 5 = 50 \text{ Ohm}$

$Y = 7 = 75 \text{ Ohm}$

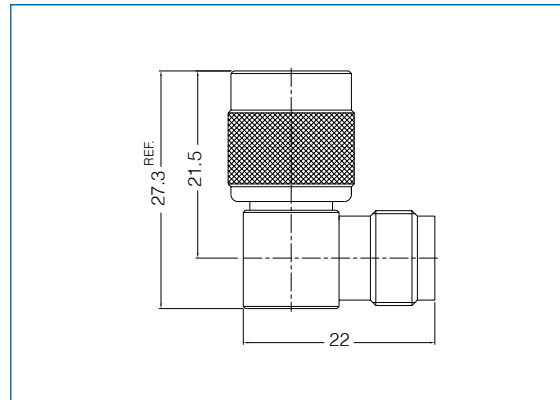


Right Angle Adapter, Plug to Jack

TYA21A-ADPN01

Impedance $Y = 5 = 50 \text{ Ohm}$

$Y = 7 = 75 \text{ Ohm}$

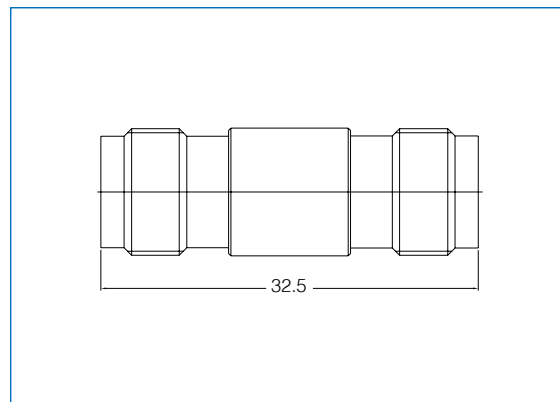


Adapter, Jack to Jack

TYF11A-ADPN01

Impedance $Y = 5 = 50 \text{ Ohm}$

$Y = 7 = 75 \text{ Ohm}$

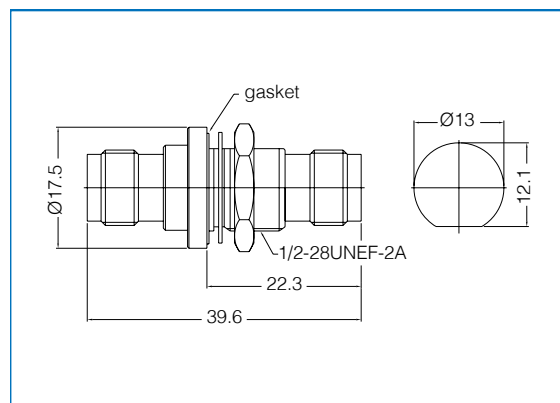


Bulkhead Adapter, Jack to Jack

TYF31A-ADPN01

Impedance $Y = 5 = 50 \text{ Ohm}$

$Y = 7 = 75 \text{ Ohm}$

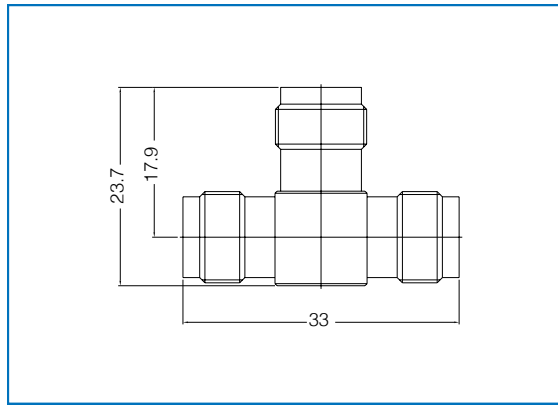


**“T” Adapter,
Jack to Jack to Jack**

TYF51A-ADPN01

Impedance Y = 5 = 50 Ohm

Y = 7 = 75 Ohm

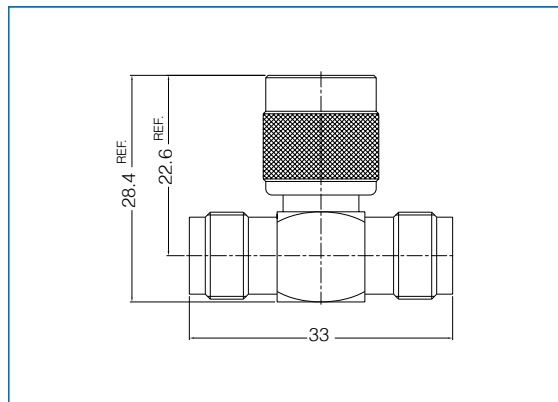


**“T” Adapter,
Jack to Plug to Jack**

TYA51A-ADPN01

Impedance Y = 5 = 50 Ohm

Y = 7 = 75 Ohm



N Series - N5 (50 Ω) / N7 (75 Ω)



FEATURES :

- Wide range of coaxial cable choices
- Threaded coupling ensures
- Handles more power than TNC
- Water tight to IP67 when mated
- Option for Crimp and Clamp

APPLICATIONS :

- Telecom Base Stations
- In-Building Networks
- Instrumentation
- Telecom
- Radios & Antenna
- Cellular Antennas
- Broadcasting
- Military Radios & Radar

ELECTRICAL SPECIFICATIONS

<u>Impedance</u>	<u>50 Ω / 75 Ω</u>
<u>Frequency Range</u>	<u>0 – 11 GHz / 0 – 3 GHz</u>
<u>Working Voltage</u>	<u>\leq 1500 VRM</u>
<u>Dielectric Withstanding Voltage</u>	<u>2500 VRMS</u>
<u>VSWR</u>	<u>Straight : 1.15 max</u>
	<u>Right Angle : 1.2 max</u>
<u>Contact Resistance</u>	<u>Center Contact : \leq 1 mΩ</u>
	<u>Outer Contact : \leq 0.2 mΩ</u>
<u>Insulator Resistance</u>	<u>5000 MΩ min.</u>

MATERIAL SPECIFICATIONS

<u>Body and outer contacts</u>	<u>Brass, nickel or silver or Albaloy plated</u>
<u>Male contact</u>	<u>Brass, gold plated</u>
<u>Female contact</u>	<u>P. Bronze or Beryllium Copper, gold or silver plated</u>
<u>Insulator</u>	<u>PTFE</u>
<u>Crimp ferrule</u>	<u>Copper or brass, nickel or silver or Albaloy plated</u>

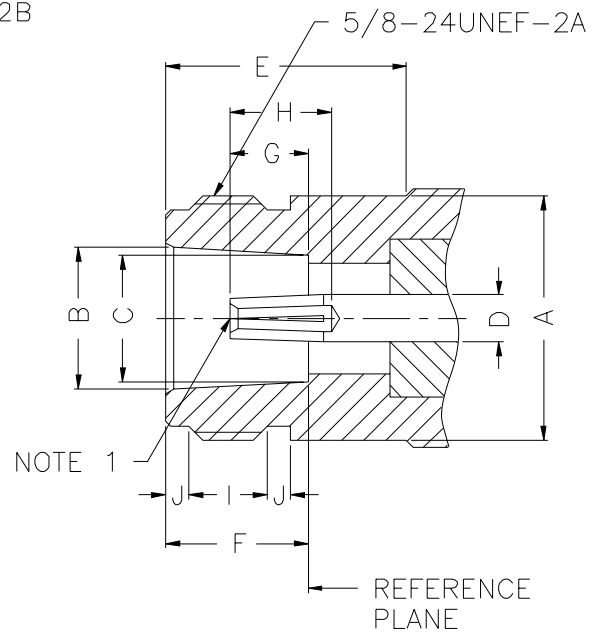
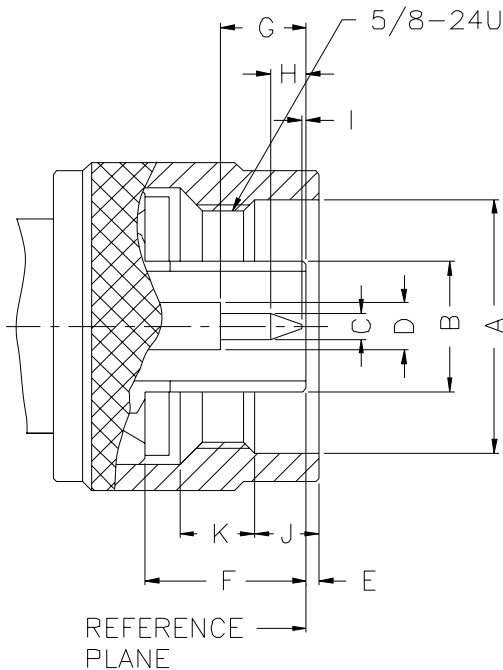
MECHANICAL SPECIFICATIONS

<u>Coupling mating torque</u>	<u>6 – 10 in-lbs</u>
<u>Cable Retention</u>	<u>60 lbs min.</u>
<u>Durability (matings)</u>	<u>500 cycles min.</u>

ENVIRONMENTAL

<u>Temperature Range</u>	<u>-65°C to +165°C</u>
--------------------------	------------------------

INTERFACE MATING DIMENSIONS



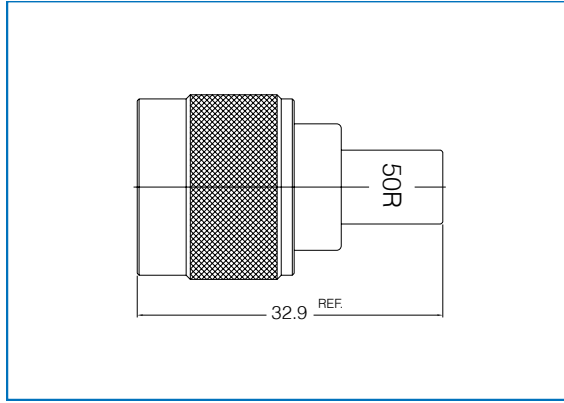
PLUG		
Letter	Millimeters	
	Minimum	Maximum
A	16.00	-
B	-	8.38
C	1.60	1.68
D	3.00	3.15
E	0.41	1.52
F	10.11	10.46
G	5.33	5.84
H	3.30	4.32
I	0.08	-
J	4.01	4.27
K	4.50	5.00

JACK		
Letter	Millimeters	
	Minimum	Maximum
A	-	15.93
B	8.53	8.74
C	8.03	8.13
D	3.00	3.15
E	10.72	-
F	9.04	9.19
G	4.75	5.26
H	5.33	-
I	4.37	5.13
J	1.19	1.96

Note 1 : I.D. to meet VSWR and contact resistance when mated with 1.6/1.68 mm dia. pin.

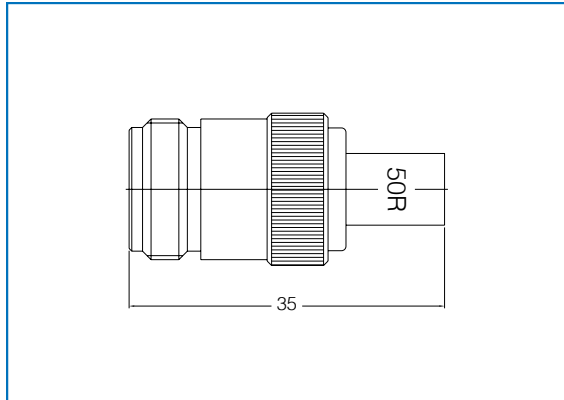
Terminator Plug
1 Watt

N5M11A-TERN01



Terminator Jack
1 Watt

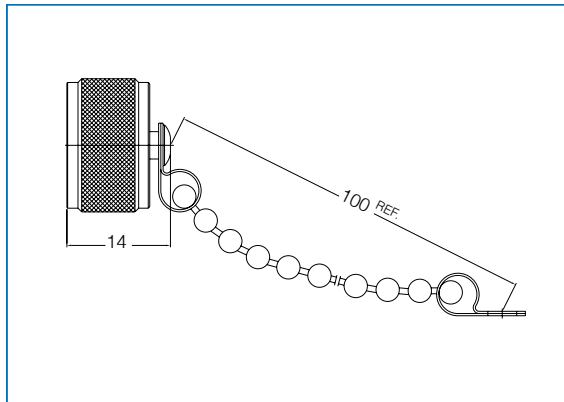
N5F11A-TERN01



Male Cap with Chain

N5M12A-TERN01

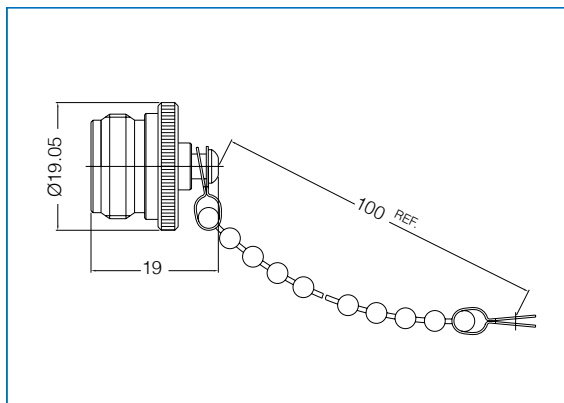
* Chain Length : 100mm



Female Cap with Chain

N5F12A-TERN01

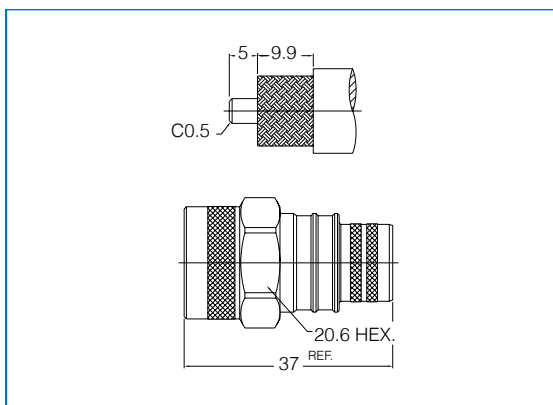
* Chain Length : 100mm



Straight Plug, Crimp

N5M12A-AXXN01

Cable group : [24](#)



Cable Groups

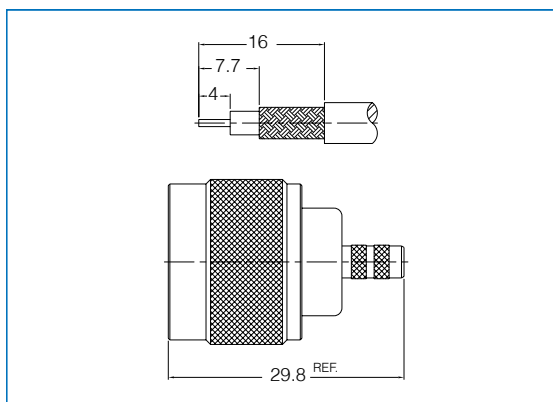
Straight Plug, Crimp

NYM11A-AXXN01

Cable group : [06](#), [07](#), [08](#), [09](#), [10](#), [11](#), [12](#),
[13](#), [14](#), [15](#), [16](#), [17](#), [18](#)

Impedance $Y = 5 = 50 \text{ Ohm}$

$Y = 7 = 75 \text{ Ohm}$

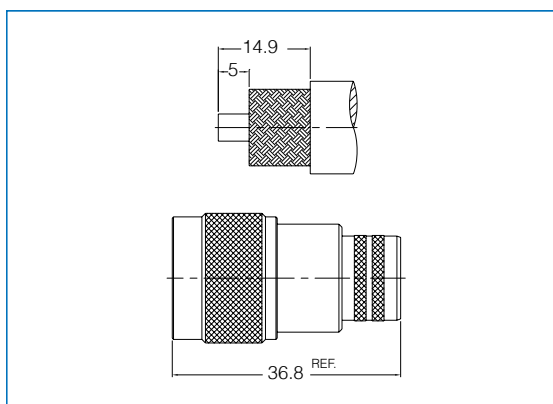


A01 - 500 - RG-178, 198
A02 - 500 - RG-174, 188A, 316, LMR100
A03 - 750 - RG-179, 187
A04 - 500 - RD-316U
A05 - 750 - RD-179U
A06 - 500 - RG-58, 58A, 58C, 141, LMR195
A07 - 500 - RG-55, 142, 223, 400
A08 - 500 - LMR200
A09 - 500 - RG-59U Plenum
A10 - 750 - RG-59, 62
A11 - 750 - Belden 1505A
A12 - 750 - Belden 8281
A13 - 750 - RG-59U Quad Shield
A14 - 750 - RG-59U Plenum

Straight Plug, Crimp

N5M12B-AXXN01

Cable group : [24](#)



A15 - 750 - RG-6
A16 - 500 - 8X, LMR240
A17 - 500 - LMR400, Belden 9913
A18 - 500 - RG-8, 8A, 9, 213, 214
A19 - 750 - RG6U, Quad
A20 - 750 - RG-11
A21 - 750 - Belden 1694A
A22 - 750 - AT&T 734A
A23 - 750 - AT&T 735A
A24 - 500 - LMR600
A25 - 750 - Belden 1695A
A26 - 750 - Belden 8218
A27 - 750 - BT-3002
A28 - 500 - 0885, 0885R, RG-405U

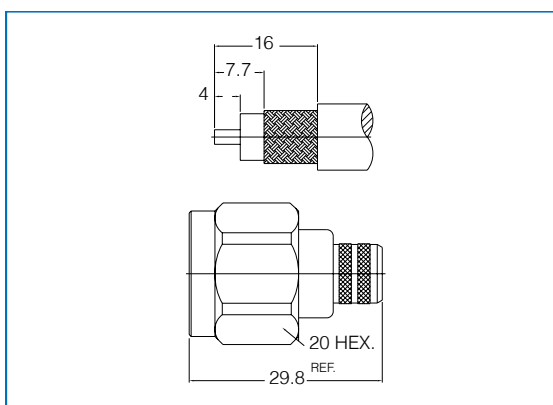
Straight Plug, Crimp

NYM11B-AXXN01

Cable group : [06](#), [07](#), [08](#), [09](#), [10](#), [11](#), [12](#),
[13](#), [14](#), [15](#), [16](#), [17](#), [18](#)

Impedance $Y = 5 = 50 \text{ Ohm}$

$Y = 7 = 75 \text{ Ohm}$

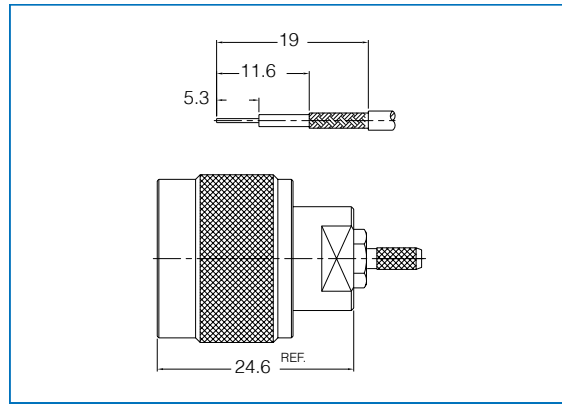


A29 - 500 - 141SR, RG-402U
A30 - 500 - 1.13mm OD micro
A31 - 500 - 1.32mm OD micro
A32 - 500 - 1.37mm OD micro
A33 - 500 - 047SR cable
A34 - 750 - FLEX 2
A35 - 750 - FLEX 3
A37 - 750 - FLEX 5
A38 - 500 - 30-2V
A39 - 500 - 5D-2V
A40 - 500 - 8D-2V
A41 - 500 - 5D-FB, LMR300
A42 - 500 - 1/4" Superflex
A43 - 500 - 1/2" Superflex

Straight Plug, Crimp

N5M13B-AXXN01

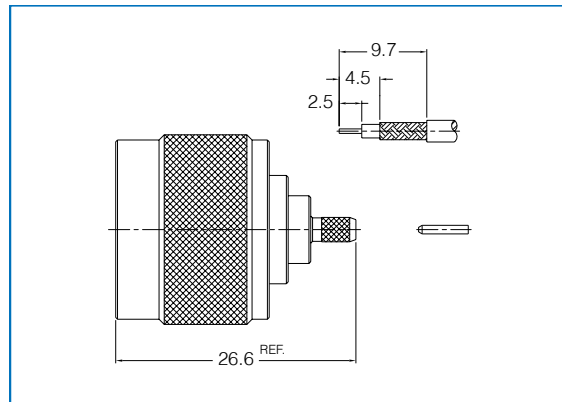
Cable group : 02, 04



Straight Plug, Crimp-Pin in Pin

N5M14A-AXXN01

Cable group : 02, 04



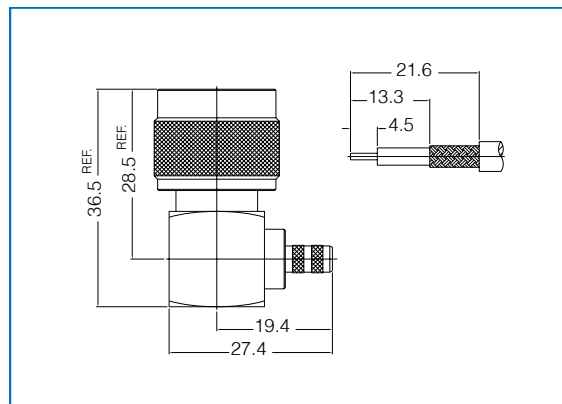
Right Angle Plug, Crimp

NYM21A-AXXN01

Cable group : 02, 03, 04, 05, 06, 07, 08, 09, 10, 11, 12, 13, 14, 15, 16

Impedance $Y = 5 = 50 \text{ Ohm}$

$Y = 7 = 75 \text{ Ohm}$



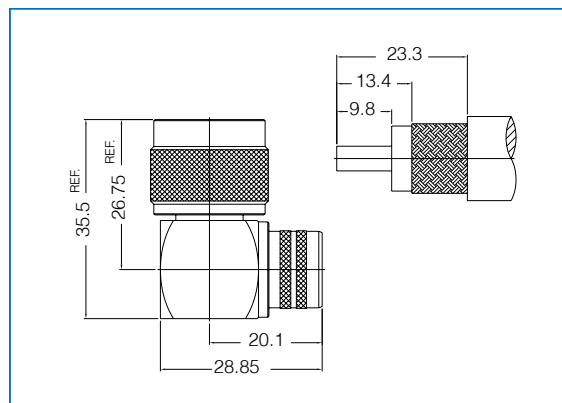
Right Angle Plug, Crimp

NYM21B-AXXN01

Cable group : 17, 18, 20, 24

Impedance $Y = 5 = 50 \text{ Ohm}$

$Y = 7 = 75 \text{ Ohm}$



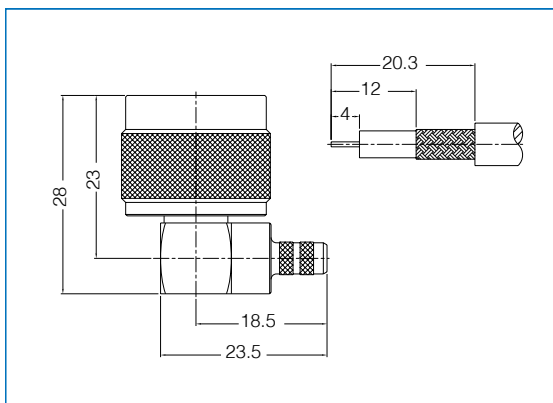
Right Angle Plug, Crimp

NYM21C-AXXN01

Cable group : [06](#), [07](#), [08](#), [09](#), [10](#), [11](#), [12](#),
[16](#)

Impedance Y = 5 = 50 Ohm

Y = 7 = 75 Ohm



Cable Groups

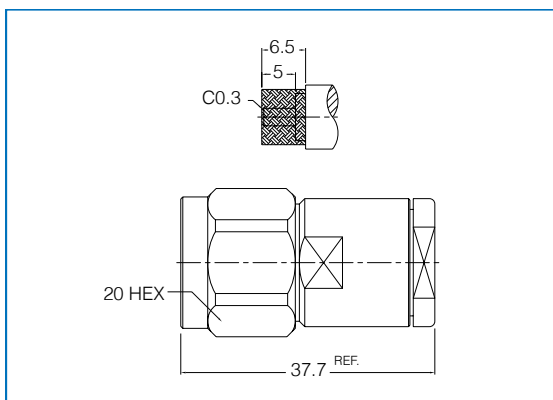
Straight Plug, Clamp

NYM15A-AXXN01

Cable group : [17](#), [18](#), [20](#)

Impedance Y = 5 = 50 Ohm

Y = 7 = 75 Ohm



A01 - 500 - RG-178, 196
A02 - 500 - RG-174, 188A, 316, LMR100
A03 - 750 - RG-179, 187
A04 - 500 - RD-316U
A05 - 750 - RD-179U
A06 - 500 - RG-58, 58A, 58C, 141, LMR195
A07 - 500 - RG-55, 142, 223, 400
A08 - 500 - LMR200
A09 - 500 - RG-59U Plenum
A10 - 750 - RG-59, 62
A11 - 750 - Belden 1505A
A12 - 750 - Belden 8281
A13 - 750 - RG-59U Quad Shield
A14 - 750 - RG-59U Plenum

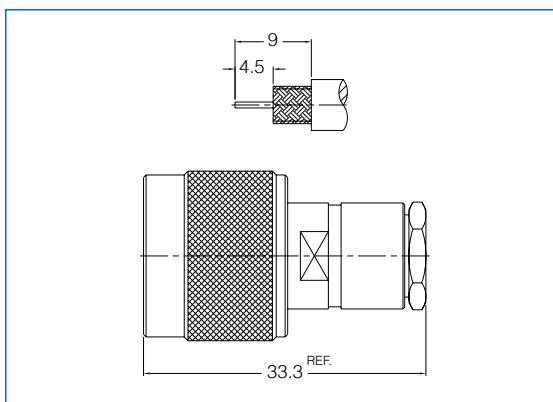
Straight Plug, Clamp

NYM15B-AXXN01

Cable group : [06](#), [07](#), [08](#), [09](#), [10](#), [12](#)

Impedance Y = 5 = 50 Ohm

Y = 7 = 75 Ohm



A15 - 750 - RG-6
A16 - 500 - 8X, LMR240
A17 - 500 - LMR400, Belden 9913
A18 - 500 - RG-8, 8A, 9, 213, 214
A19 - 750 - RG6U, Quad
A20 - 750 - RG-11
A21 - 750 - Belden 1694A
A22 - 750 - AT&T 734A
A23 - 750 - AT&T 735A
A24 - 500 - LMR600
A25 - 750 - Belden 1696A
A26 - 750 - Belden 8218
A27 - 750 - BT-3002
A28 - 500 - 0885, 0885RF, RG-405U

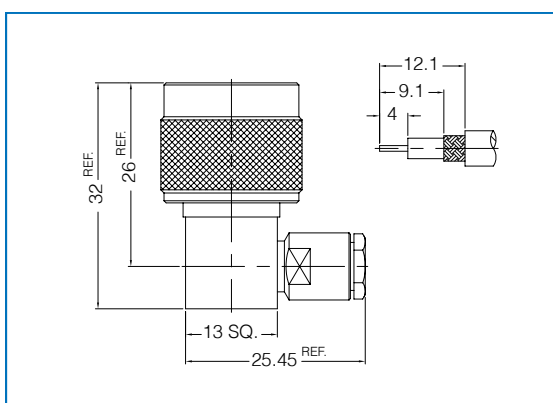
Right Angle Plug, Clamp

NYM22A-AXXN01

Cable group : [06](#), [07](#), [08](#), [09](#), [10](#), [12](#)

Impedance Y = 5 = 50 Ohm

Y = 7 = 75 Ohm

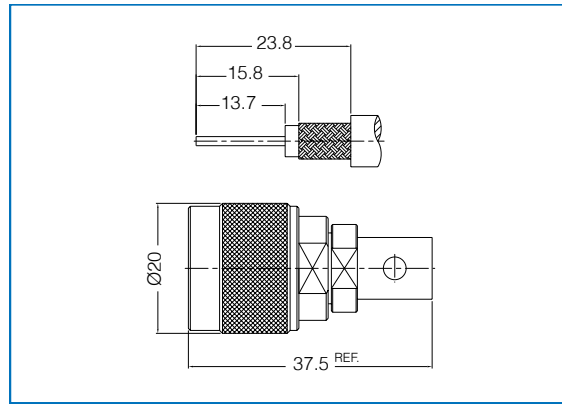


A29 - 500 - 141SR, RG-402U
A30 - 500 - 1.13mm OD micro
A31 - 500 - 1.32mm OD micro
A32 - 500 - 1.37mm OD micro
A33 - 500 - 047SR cable
A34 - 750 - FLEX 2
A35 - 750 - FLEX 3
A37 - 750 - FLEX 5
A38 - 500 - 30-2V
A39 - 500 - 5D-2V
A40 - 500 - 8D-2V
A41 - 500 - 5D-FB, LMR300
A42 - 500 - 1/4" Superflex
A43 - 500 - 1/2" Superflex

Straight Plug, Solder

N5M16A-AXXN01

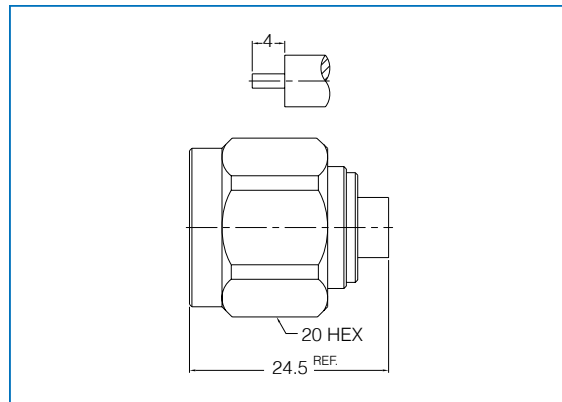
Cable group : 38, 39, 40



Straight Plug, Solder

N5M11C-AXXN01

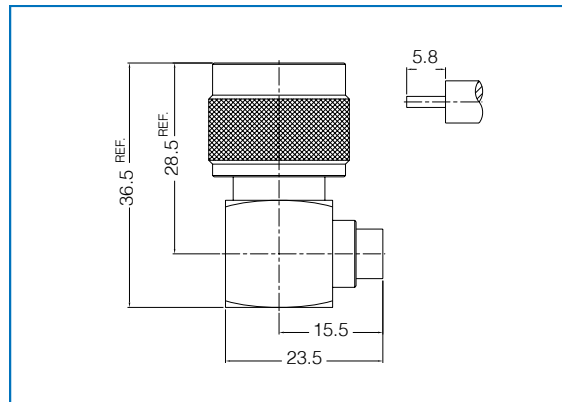
Cable group : 28, 29



Right Angle Plug, Solder

N5M27A-AXXN01

Cable group : 28, 29



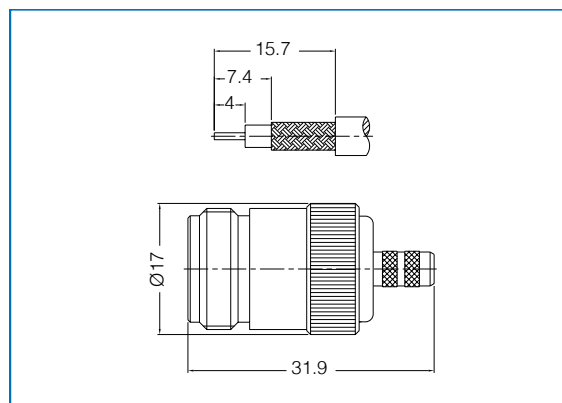
Straight Jack, Crimp

NYF11A-AXXN01

Cable group : 06, 07, 08, 09, 10, 11, 12, 13, 14, 15, 16, 17, 18

Impedance Y = 5 = 50 Ohm

Y = 7 = 75 Ohm



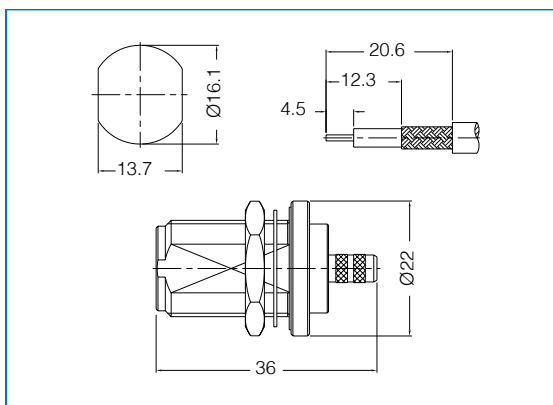
Bulkhead Jack, Crimp

NYF31A-AXXN01

Cable group : [06](#), [07](#), [08](#), [09](#), [10](#), [11](#), [12](#),
[13](#), [14](#), [15](#), [16](#), [17](#), [18](#)

Impedance Y = 5 = 50 Ohm

Y = 7 = 75 Ohm



Cable Groups

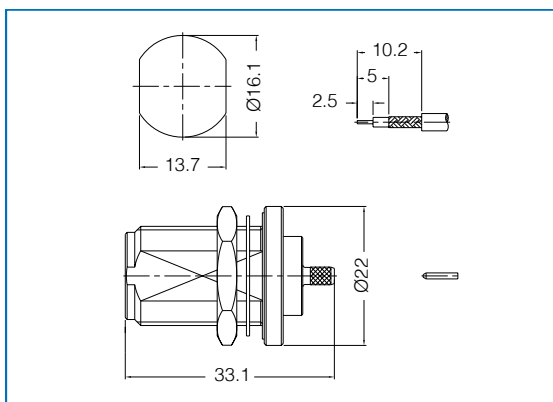
Bulkhead Jack, Crimp-Pin in Pin

NYF32A-AXXN01

Cable group : [01](#), [02](#), [03](#), [04](#), [05](#)

Impedance Y = 5 = 50 Ohm

Y = 7 = 75 Ohm



A01 - 500 - RG-178, 198
A02 - 500 - RG-174, 188A, 316, LMR100
A03 - 750 - RG-179, 187
A04 - 500 - RD-316U
A05 - 750 - RD-179U
A06 - 500 - RG-58, 58A, 58C, 141, LMR195
A07 - 500 - RG-55, 142, 223, 400
A08 - 500 - LMR200
A09 - 500 - RG-59U Plenum
A10 - 750 - RG-59, 62
A11 - 750 - Belden 1505A
A12 - 750 - Belden 8281
A13 - 750 - RG-59U Quad Shield
A14 - 750 - RG-59U Plenum

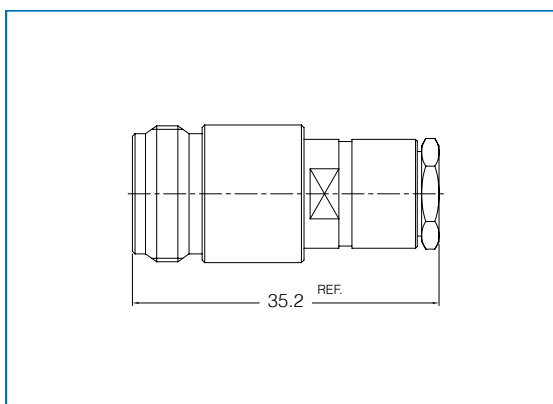
Straight Jack, Clamp

NYF12A-AXXN01

Cable group : [06](#), [07](#), [10](#), [12](#)

Impedance Y = 5 = 50 Ohm

Y = 7 = 75 Ohm

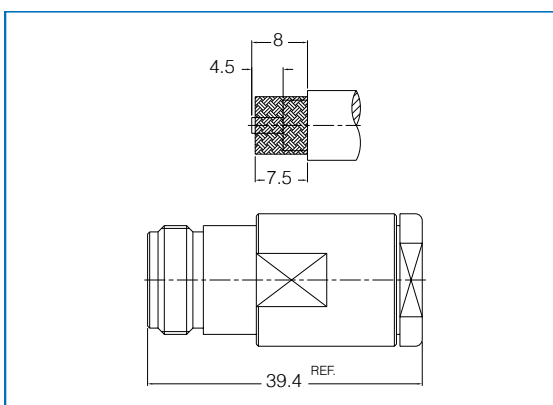


A15 - 750 - RG-6
A16 - 500 - 8X, LMR240
A17 - 500 - LMR400, Belden 9913
A18 - 500 - RG-8, 8A, 9, 213, 214
A19 - 750 - RG6U, Quad
A20 - 750 - RG-11
A21 - 750 - Belden 1694A
A22 - 750 - AT&T 734A
A23 - 750 - AT&T 735A
A24 - 500 - LMR800
A25 - 750 - Belden 1695A
A26 - 750 - Belden 8218
A27 - 750 - BT-3002
A28 - 500 - 0885, 0885R, RG-405U

Straight Jack, Clamp

N5F13A-AXXN01

Cable group : [17](#), [18](#), [20](#)

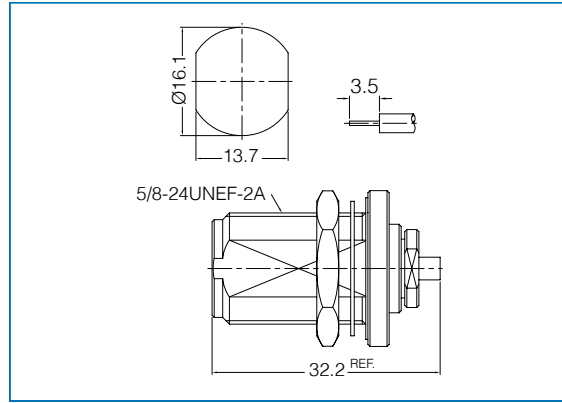


A29 - 500 - 141SR, RG-402U
A30 - 500 - 1.3mm OD micro
A31 - 500 - 1.32mm OD micro
A32 - 500 - 1.37mm OD micro
A33 - 500 - 047SR cable
A34 - 750 - FLEX 2
A35 - 750 - FLEX 3
A37 - 750 - FLEX 5
A38 - 500 - 30-2V
A39 - 500 - 50-2V
A40 - 500 - 80-2V
A41 - 500 - 50-FB, LMR300
A42 - 500 - 1/4" Superflex
A43 - 500 - 1/2" Superflex

Bulkhead Jack, Solder

N5F31B-AXXN01

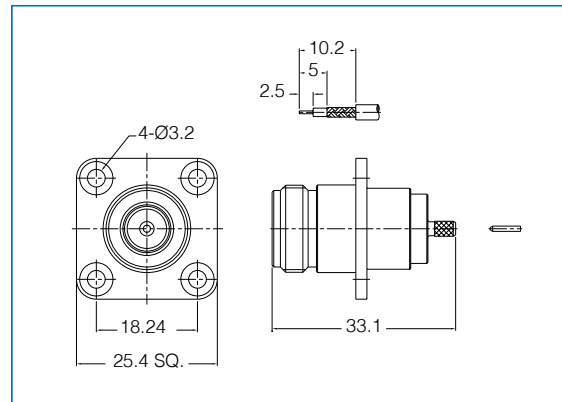
Cable group : [28](#), [29](#)



Panel Jack, Crimp-Pin in Pin

NYF41A-AXXN01

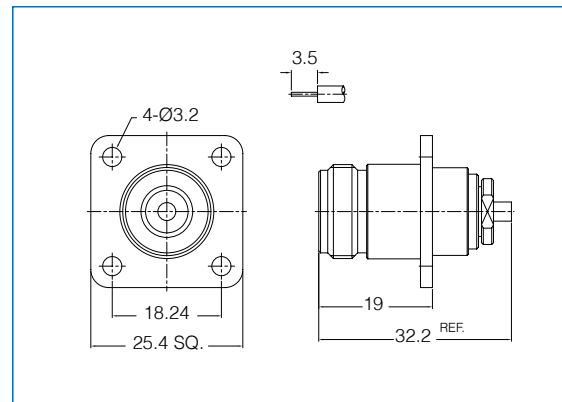
Cable group : [01](#), [02](#), [03](#), [04](#), [05](#)



Panel Jack, Solder

N5F42A-AXXN01

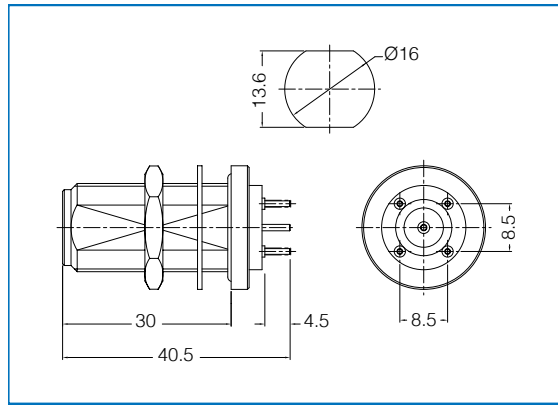
Cable group : [28](#), [29](#)



Straight Bulkhead PCB Jack

N5F31A-TPCN01

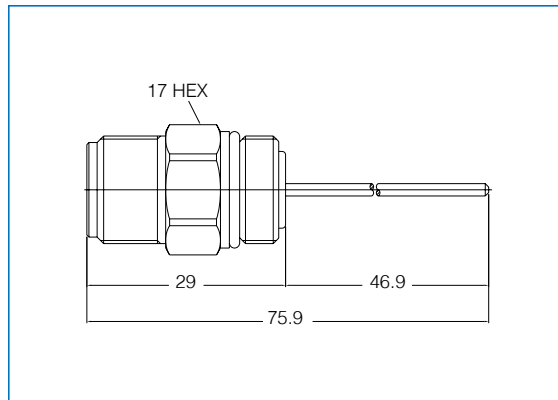
* Mounting hole : "Y"



Cable Groups

Receptacle Jack

N5F11A-RECN01

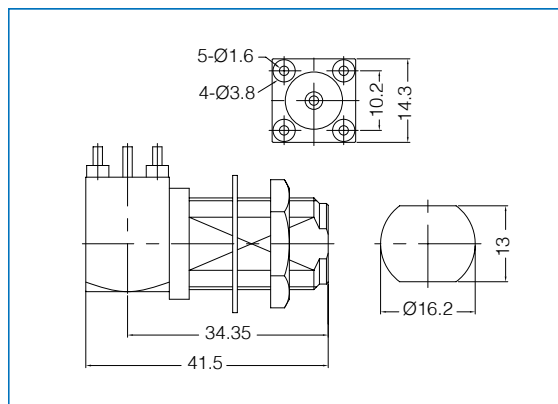


A01 - 50Ω - RG-178, 196
 A02 - 50Ω - RG-174, 188A, 316, LMR100
 A03 - 75Ω - RG-179, 187
 A04 - 50Ω - RD-316U
 A05 - 75Ω - RD-179U
 A06 - 50Ω - RG-58, 58A, 58C, 141, LMR195
 A07 - 50Ω - RG-55, 142, 223, 400
 A08 - 50Ω - LMR200
 A09 - 50Ω - RG-59U Plenum
 A10 - 75Ω - RG-59, 62
 A11 - 75Ω - Belden 1505A
 A12 - 75Ω - Belden 8281
 A13 - 75Ω - RG-59U Quad Shield
 A14 - 75Ω - RG-59U Plenum

Right Angle Bulkhead PCB Jack

N5F21A-TPCN01

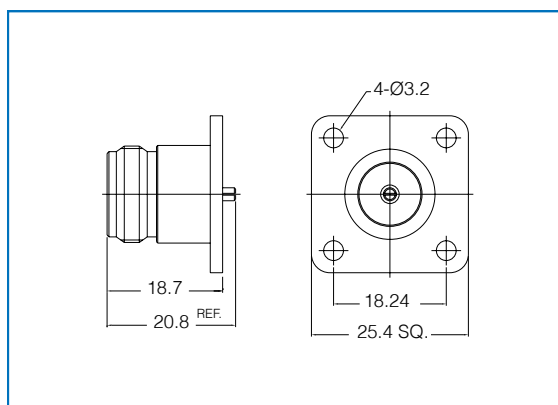
* Mounting hole : "J"



A15 - 75Ω - RG-6
 A16 - 50Ω - 8X, LMR240
 A17 - 50Ω - LMR400, Belden 9913
 A18 - 50Ω - RG-8, 8A, 9, 213, 214
 A19 - 75Ω - RG6U, Quad
 A20 - 75Ω - RG-11
 A21 - 75Ω - Belden 1694A
 A22 - 75Ω - AT&T 734A
 A23 - 75Ω - AT&T 735A
 A24 - 50Ω - LMR600
 A25 - 75Ω - Belden 1695A
 A26 - 75Ω - Belden 8218
 A27 - 75Ω - BT-3002
 A28 - 50Ω - 0889, 0885RF, RG-405U

Panel Receptacle Jack

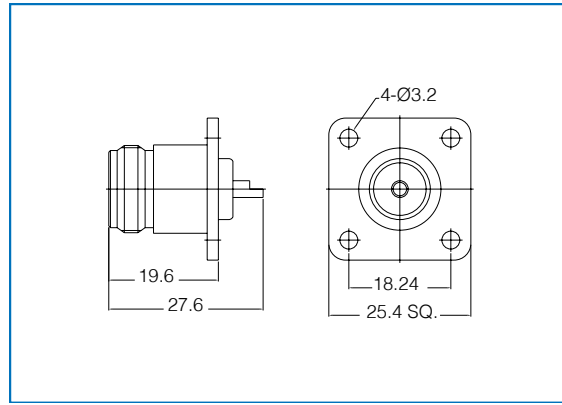
N5F41A-4HNL01



A29 - 50Ω - 141SR, RG-402U
 A30 - 50Ω - 1.13mm OD micro
 A31 - 50Ω - 1.32mm OD micro
 A32 - 50Ω - 1.37mm OD micro
 A33 - 50Ω - 047SR cable
 A34 - 75Ω - FLEX 2
 A35 - 75Ω - FLEX 3
 A37 - 75Ω - FLEX 5
 A38 - 50Ω - 30-2V
 A39 - 50Ω - 5P-2V
 A40 - 50Ω - 8D-2V
 A41 - 50Ω - 5D-FB, LMR300
 A42 - 50Ω - 1/4" Superflex
 A43 - 50Ω - 1/2" Superflex

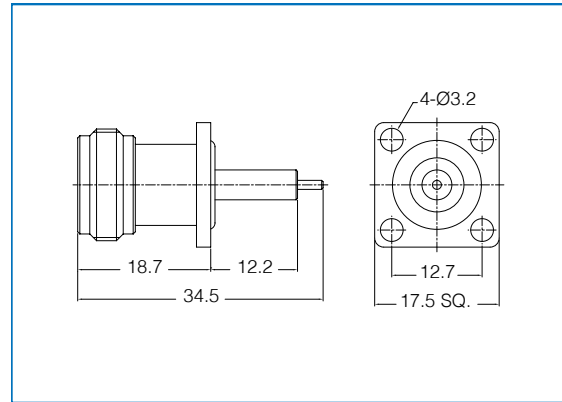
Panel Receptacle Jack

N5F41B-4HLN01



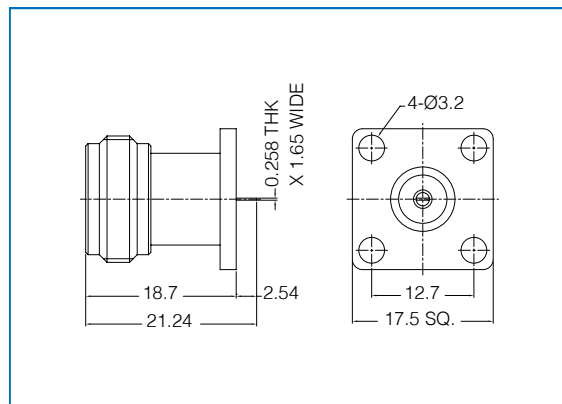
Panel Receptacle Jack

N5F42A-4HLN01



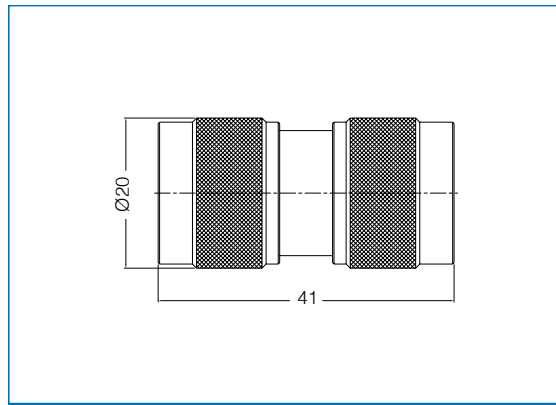
Panel Receptacle Jack

N5F42B-4HLN01



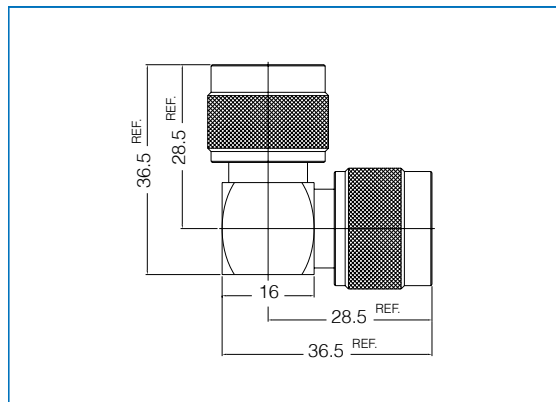
Adapter, Plug to Plug

N5M11A-ADPN01



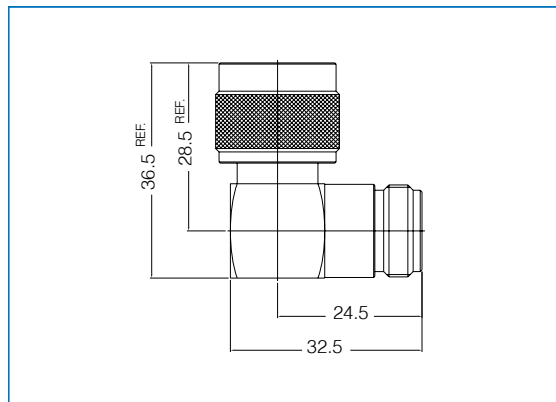
Right Angle Adapter, Plug to Plug

N5M21A-ADPN01



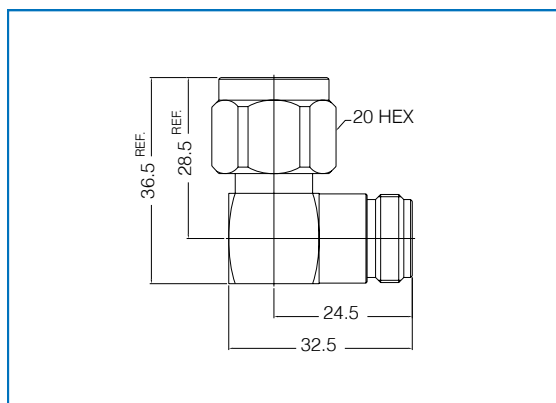
Right Angle Adapter, Plug to Jack

N5A21A-ADPN01



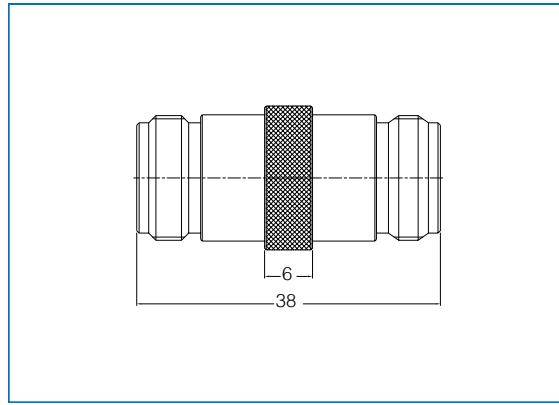
Right Angle Adapter, Plug to Jack

N5A22A-ADPN01



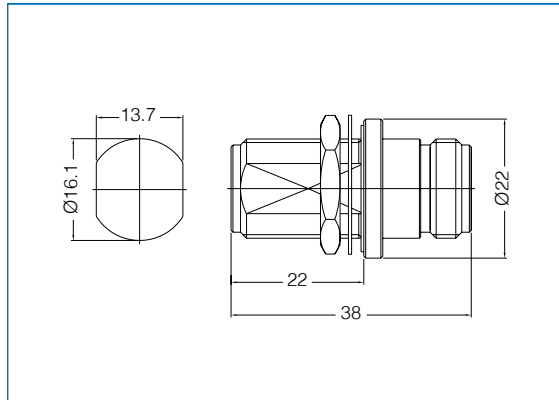
Adapter, Jack to Jack

N5F11A-ADPN01



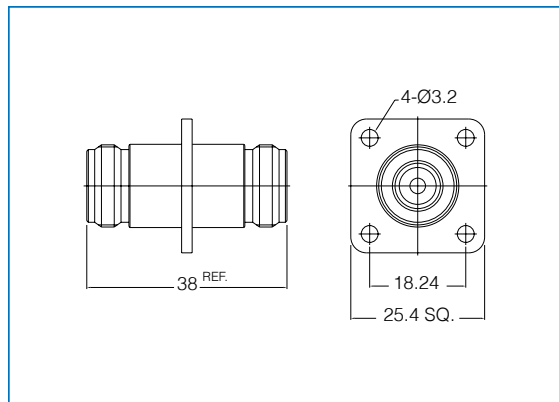
Bulkhead Adapter, Jack to Jack

N5F31A-ADPN01



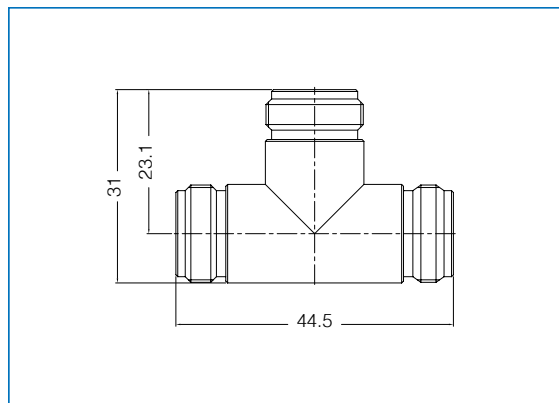
Panel Adapter, Jack to Jack

N5F41A-ADPN01



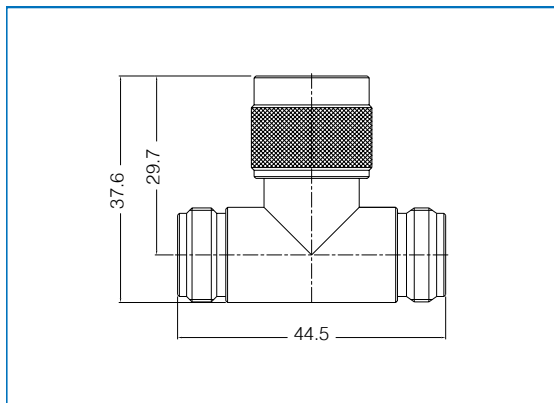
“T” Adapter, Jack-Jack-Jack

N5F51A-ADPN01



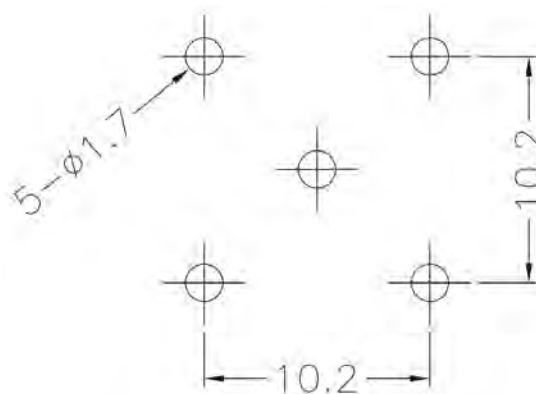
“T” Adapter, Jack-Plug-Jack

N5A51A-ADPN01

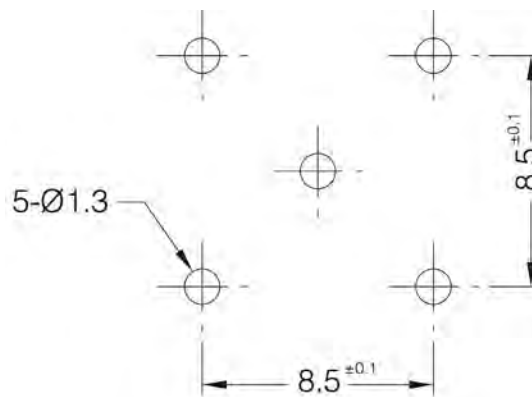


PCB Layouts

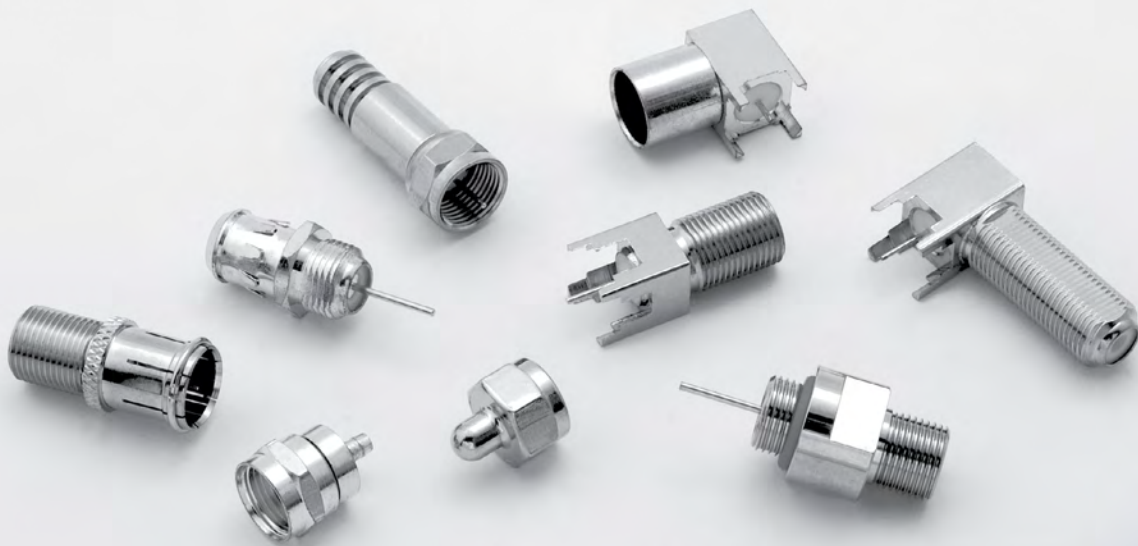
Layout-J



Layout-Y



F & G Series - (TF & TG)



FEATURES :

- F Connector is Threaded
- G Connector is Push-on
- Multiple PCB Mount Types
- High retention contacts available
- Zinc alloy body is available
- Water proof options available

APPLICATIONS :

- CATV
- Set Top Boxes
- Cable Assemblies
- Cable Modems
- Docsis 2.0/3.0/3.1

ELECTRICAL SPECIFICATIONS

<u>Impedance</u>	<u>75 Ω</u>
<u>Frequency Range</u>	<u>0 – 3GHz</u>
<u>Return Loss</u>	<u>-30 dB @DC-3GHz</u>
<u>RF Leakage</u>	<u>-100 dB min. @1GHz</u>

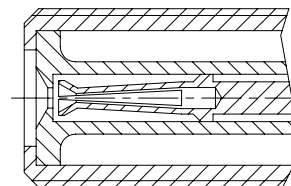
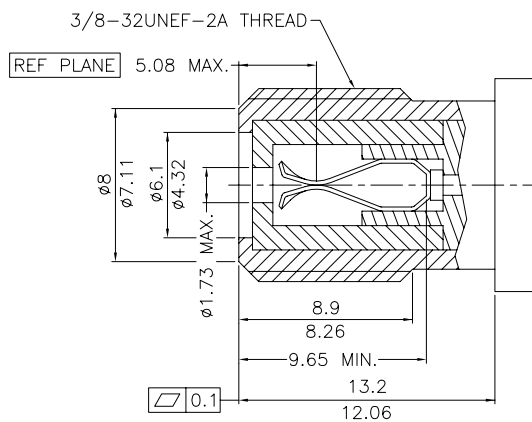
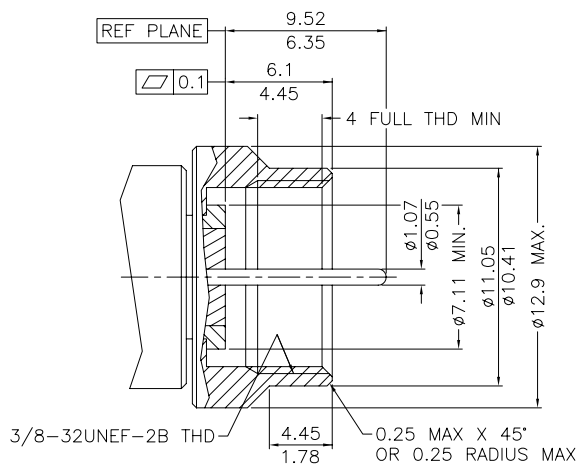
MATERIAL SPECIFICATIONS

<u>Body</u>	<u>Brass or Die Cast, nickel or tin plated</u>
<u>Male contact</u>	<u>Brass, gold or tin plated</u>
<u>Female contact</u>	<u>BeCu, P. Bronze or Brass, gold or tin plated</u>
<u>Insulator</u>	<u>PTFE, P.P. or Delrin</u>
<u>Crimp ferrule</u>	<u>Copper or Brass, nickel or tin plated</u>
<u>Clip</u>	<u>BeCu, nickel or tin plated</u>

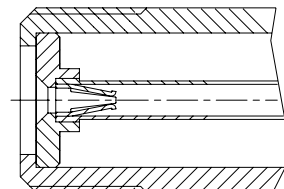
ENVIRONMENTAL

<u>Temperature Range</u>	<u>-40°C to +140°C</u>
--------------------------	------------------------

INTERFACE MATING DIMENSIONS



ACCEPTS $\phi 0.55 \sim \phi 1.02$
CENTER CONDUCTOR

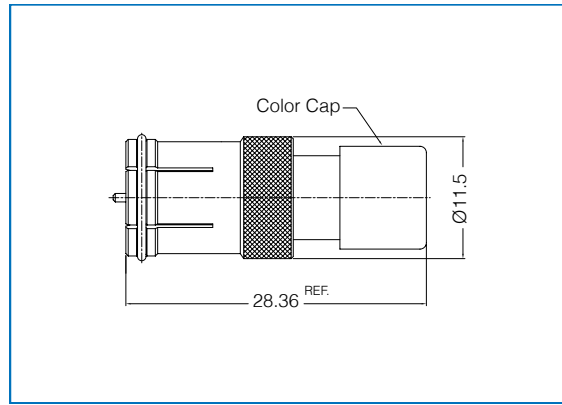


ACCEPTS $\phi 0.55 \sim \phi 1.5$
CENTER CONDUCTOR

**Terminator Plug - Push-on
1/4 Watt (1%)**

TGM11A-TERN01

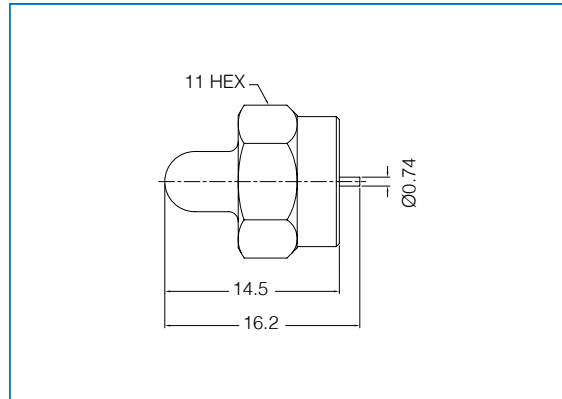
* Color Cap



**Terminator Plug
1/2 Watt (1%)**

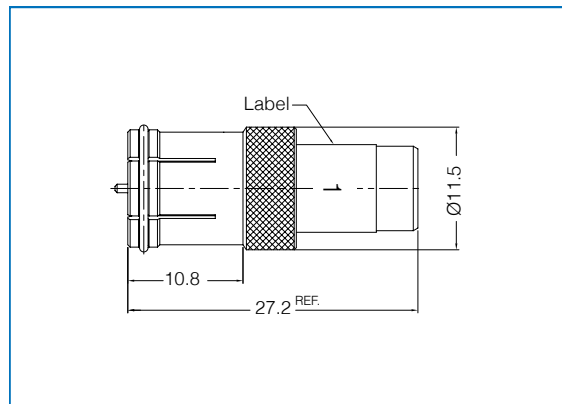
TFM11A-TERN01

* Material : Die Cast



**Terminator Plug - Push-on
1/4 Watt (5%)**

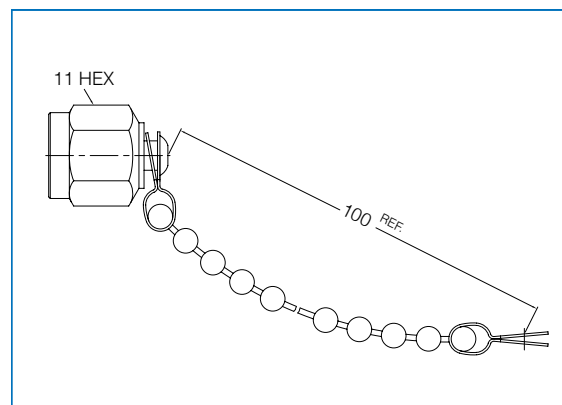
TGM11B-TERN01



Male Cap with Chain

TFM12A-TERN01

* Chain Length : 100mm

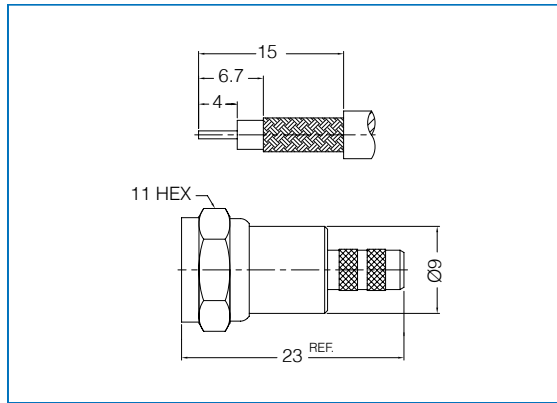


Straight Plug, Crimp

TFM11A-AXXN01

Cable group : [03](#), [05](#), [10](#), [11](#), [13](#), [14](#), [15](#)

* Hex Nut : Die Cast

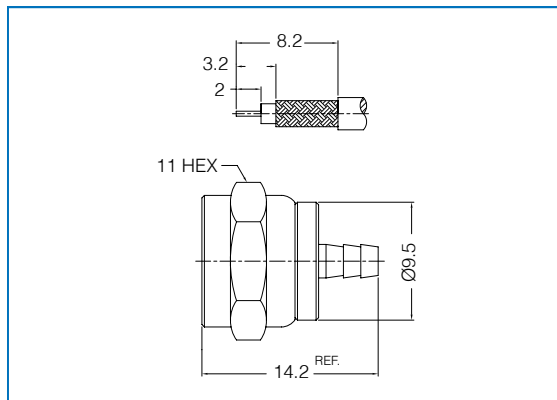


Cable Groups

Straight Plug, Crimp

TFM12A-AXXN01

Cable group : [02](#), [03](#), [04](#), [06](#), [08](#), [16](#), [20](#),
[21](#), [22](#), [23](#)

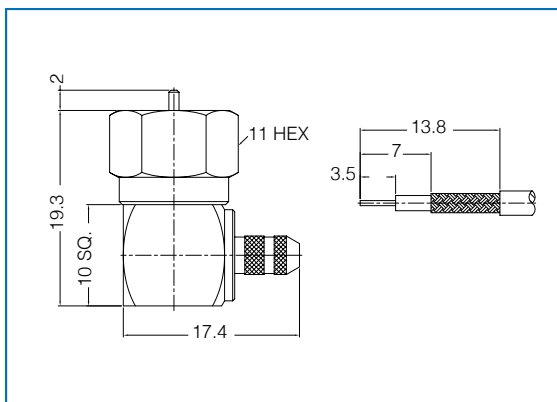


- | | |
|--|--------------------------------|
| A01 - 500 - RG-178, 196 | A08 - 500 - LMR200 |
| A02 - 500 - RG-174, 188A, 316, LMR100 | A09 - 500 - RG-59U Plenum |
| A03 - 750 - RG-179, 187 | A10 - 750 - RG-59, 62 |
| A04 - 500 - RD-316U | A11 - 750 - Belden 1505A |
| A05 - 750 - RD-179U | A12 - 750 - Belden 8281 |
| A06 - 500 - RG-58, 58A, 58C, 141, LMR195 | A13 - 750 - RG-59U Quad Shield |
| A07 - 500 - RG-55, 142, 223, 400 | A14 - 750 - RG-59U Plenum |

Right Angle Plug, Crimp

TFM21A-AXXN01

Cable group : [03](#), [05](#), [10](#), [11](#), [13](#), [14](#), [15](#)



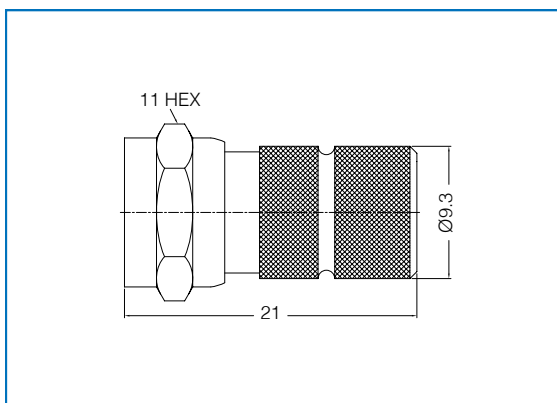
- | | |
|-----------------------------------|----------------------------------|
| A15 - 750 - RG-6 | A22 - 750 - AT&T 734A |
| A16 - 500 - 8X, LMR240 | A23 - 750 - AT&T 735A |
| A17 - 500 - LMR400, Belden 9913 | A24 - 500 - LMR800 |
| A18 - 500 - RG-8, 8A, 9, 213, 214 | A25 - 750 - Belden 1696A |
| A19 - 750 - RG6U, Quad | A26 - 750 - Belden 8218 |
| A20 - 750 - RG-11 | A27 - 750 - BT-3002 |
| A21 - 750 - Belden 1694A | A28 - 500 - 0885/0885RF, RG-405U |

Twist On Plug

TFM13A-AXXN01

Cable group : [10](#), [15](#)

* Material : Die Cast



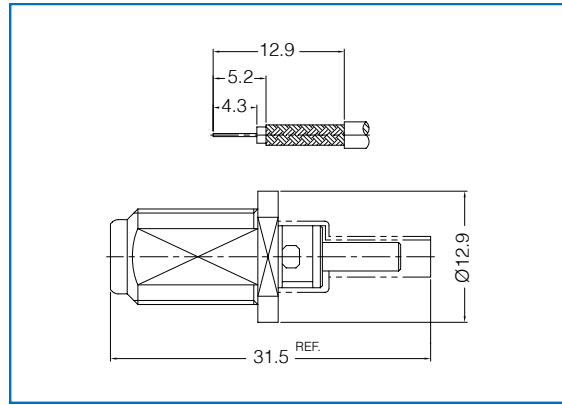
- | | |
|-----------------------------|----------------------------|
| A29 - 500 - 141SR, RG-402U | A37 - 750 - FLEX 5 |
| A30 - 500 - 1.13mm OD micro | A38 - 500 - 30-2V |
| A31 - 500 - 1.32mm OD micro | A39 - 500 - 5D-2V |
| A32 - 500 - 1.37mm OD micro | A40 - 500 - 8D-2V |
| A33 - 500 - 047SR cable | A41 - 500 - 5D-FB, LMR300 |
| A34 - 750 - FLEX 2 | A42 - 500 - 1/4" Superflex |
| A35 - 750 - FLEX 3 | A43 - 500 - 1/2" Superflex |

Bulkhead Jack, Crimp

TFF31A-AXXN01

Cable group : 03

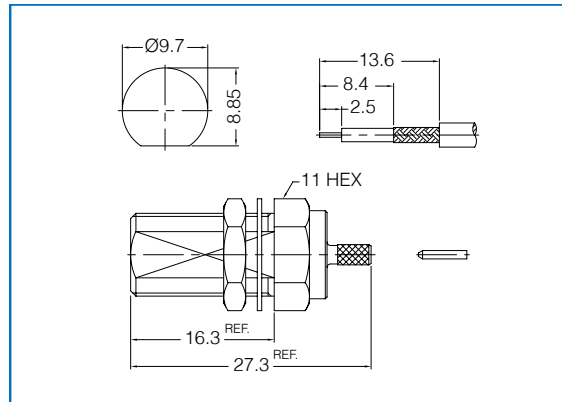
* Material : Die Cast



Bulkhead Jack, Crimp-Pin in Pin

TFF32A-AXXN01

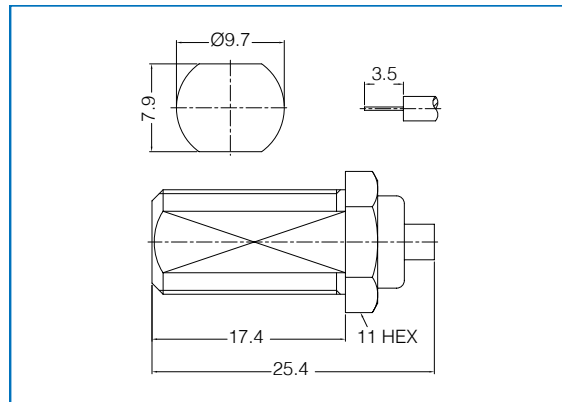
Cable group : 03, 05



Bulkhead Jack, Solder

TFF33A-AXXN01

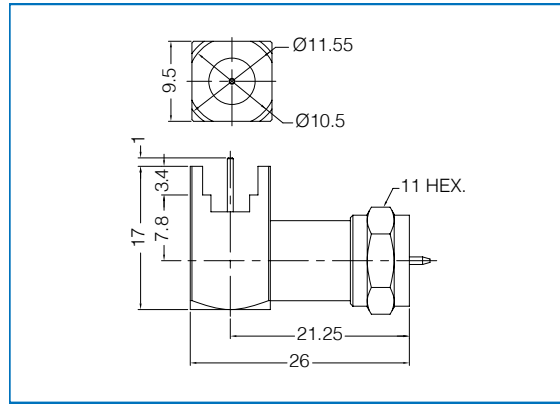
Cable group : RG 405 -75Ω



Right Angle Plug, PCB Mount

TFM21A-TPCN01

Mounting hole : "K"

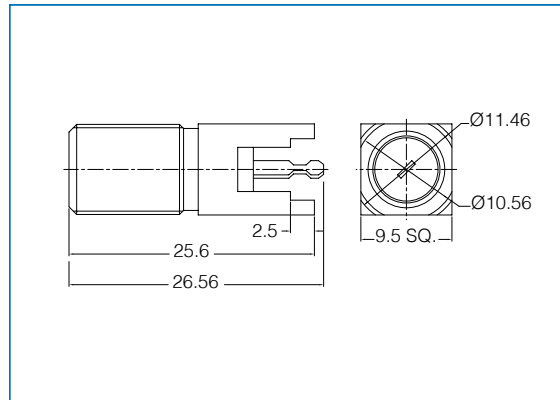


Cable Groups

Straight Jack, PCB Mount

TFF11A-TPCN01

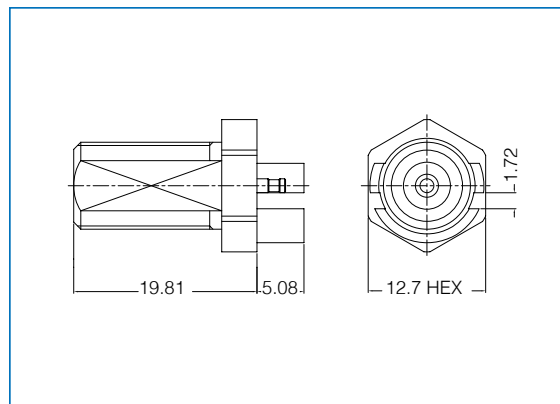
Mounting hole : "K"



- A01 - 50Ω - RG-178, 196
- A02 - 50Ω - RG-174, 188A, 316, LMR100
- A03 - 75Ω - RG-179, 187
- A04 - 50Ω - RD-316U
- A05 - 75Ω - RD-179U
- A06 - 50Ω - RG-58, 58A, 58C, 141, LMR195
- A07 - 50Ω - RG-55, 142, 223, 400
- A08 - 50Ω - LMR200
- A09 - 50Ω - RG-59U Plenum
- A10 - 75Ω - RG-59, 62
- A11 - 75Ω - Belden 1505A
- A12 - 75Ω - Belden 8281
- A13 - 75Ω - RG-59U Quad Shield
- A14 - 75Ω - RG-59U Plenum

Straight Jack, Edgcard Mount

TFF11A-EPCN01

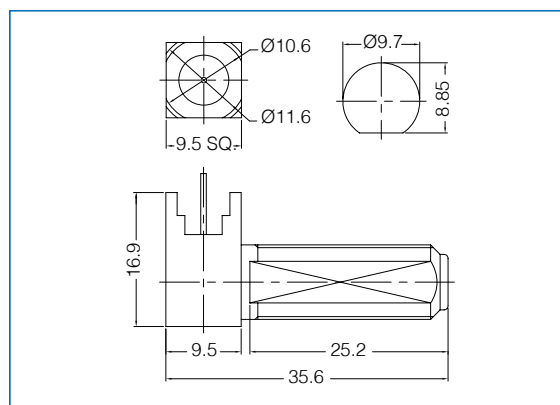


- A15 - 75Ω - RG-6
- A16 - 50Ω - 8X, LMR240
- A17 - 50Ω - LMR400, Belden 9913
- A18 - 50Ω - RG-8, 8A, 9, 213, 214
- A19 - 75Ω - RG6U, Quad
- A20 - 75Ω - RG-11
- A21 - 75Ω - Belden 1694A
- A22 - 75Ω - AT&T 734A
- A23 - 75Ω - AT&T 735A
- A24 - 50Ω - LMR800
- A25 - 75Ω - Belden 1695A
- A26 - 75Ω - Belden 8218
- A27 - 75Ω - BT-3002
- A28 - 50Ω - 0885, 0885RF, RG-405U

Right Angle Jack, PCB Mount

TFF21A-TPCN01

Mounting hole : "K"

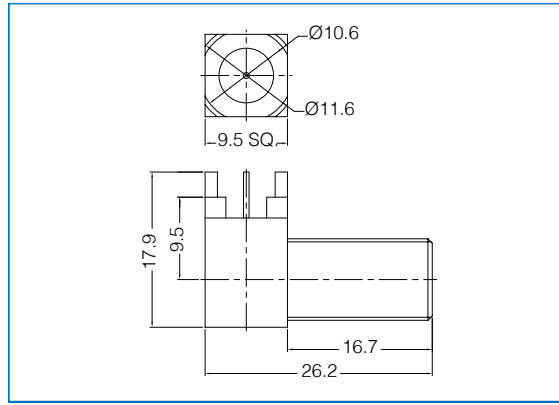


- A29 - 50Ω - 141SR, RG-402U
- A30 - 50Ω - 1.13mm OD micro
- A31 - 50Ω - 1.32mm OD micro
- A32 - 50Ω - 1.37mm OD micro
- A33 - 50Ω - 047SR cable
- A34 - 75Ω - FLEX 2
- A35 - 75Ω - FLEX 3
- A37 - 75Ω - FLEX 5
- A38 - 50Ω - 30-2V
- A39 - 50Ω - 5P-2V
- A40 - 50Ω - 8D-2V
- A41 - 50Ω - 5D-FB, LMR300
- A42 - 50Ω - 1/4" Superflex
- A43 - 50Ω - 1/2" Superflex

Right Angle Jack, PCB Mount

TFF22A-TPCN01

* Mounting hole : "K"

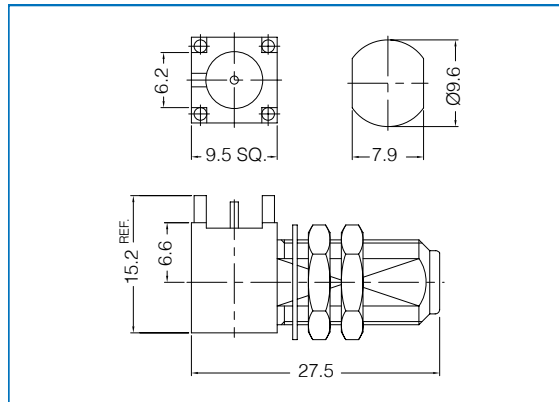


Right Angle Jack, PCB Mount

TFF23A-TPCN01

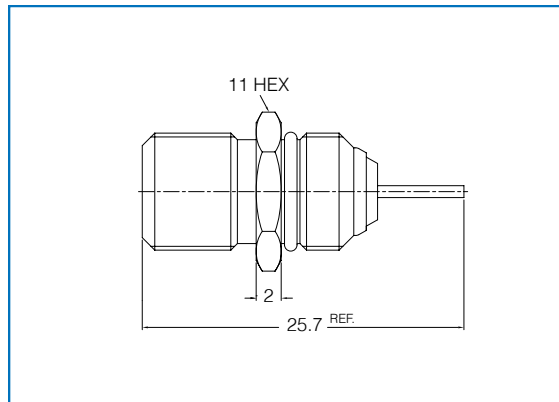
* Material : Die Cast

* Mounting hole : "K"



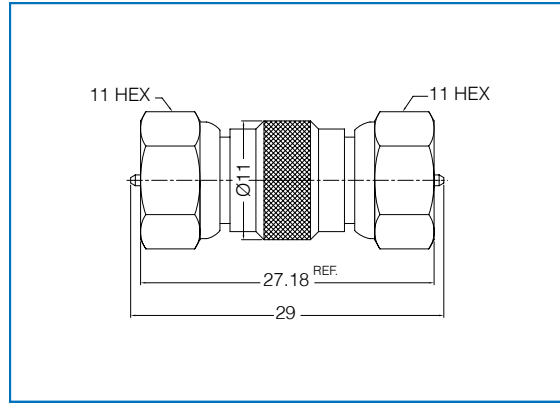
Bulkhead Receptacle Jack

TFF11A-RECN01



Adapter, Plug To Plug

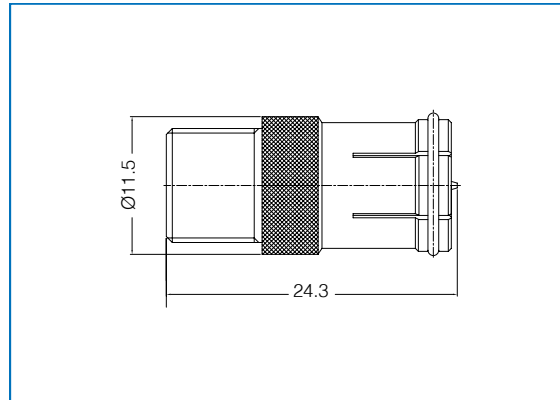
TFM11A-ADPN01



Cable Groups

Adapter, Quick Plug To Jack

TFA11A-ADPN01

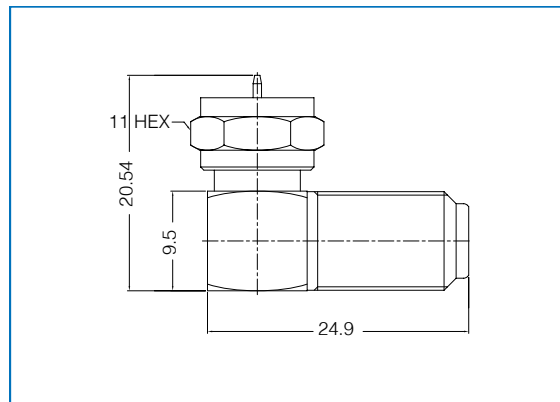


A01 - 500 - RG-178, 196
 A02 - 500 - RG-174, 188A, 316, LMR100
 A03 - 750 - RG-179, 187
 A04 - 500 - RD-316U
 A05 - 750 - RD-179U
 A06 - 500 - RG-58, 58A, 58C, 141, LMR195
 A07 - 500 - RG-55, 142, 223, 400
 A08 - 500 - LMR200
 A09 - 500 - RG-59U Plenum
 A10 - 750 - RG-59, 62
 A11 - 750 - Belden 1505A
 A12 - 750 - Belden 8281
 A13 - 750 - RG-59U Quad Shield
 A14 - 750 - RG-59U Plenum

Right Angle Adapter, Plug To Jack

TFA21A-ADPN01

*Hex Nut: Die Cast

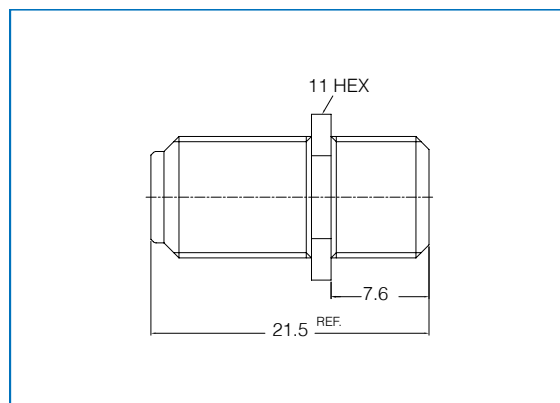


A15 - 750 - RG-6
 A16 - 500 - 8X, LMR240
 A17 - 500 - LMR400, Belden 9913
 A18 - 500 - RG-8, 8A, 9, 213, 214
 A19 - 750 - RG6U, Quad
 A20 - 750 - RG-11
 A21 - 750 - Belden 1694A
 A22 - 750 - AT&T 734A
 A23 - 750 - AT&T 735A
 A24 - 500 - LMR600
 A25 - 750 - Belden 1695A
 A26 - 750 - Belden 8218
 A27 - 750 - BT-3002
 A28 - 500 - 0885, 0885R, RG-405U

Adapter, Jack To Jack

TFF11A-ADPN01

* Material : Die Cast

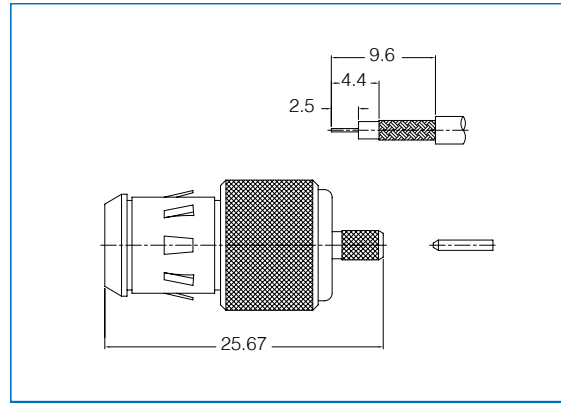


A29 - 500 - 141SR, RG-402U
 A30 - 500 - 1.13mm OD micro
 A31 - 500 - 1.32mm OD micro
 A32 - 500 - 1.37mm OD micro
 A33 - 500 - 047SR cable
 A34 - 750 - FLEX 2
 A35 - 750 - FLEX 3
 A37 - 750 - FLEX 5
 A38 - 500 - 30-2V
 A39 - 500 - 50-2V
 A40 - 500 - 80-2V
 A41 - 500 - 50-FB, LMR300
 A42 - 500 - 1/4" Superflex
 A43 - 500 - 1/2" Superflex

Crimp Jack

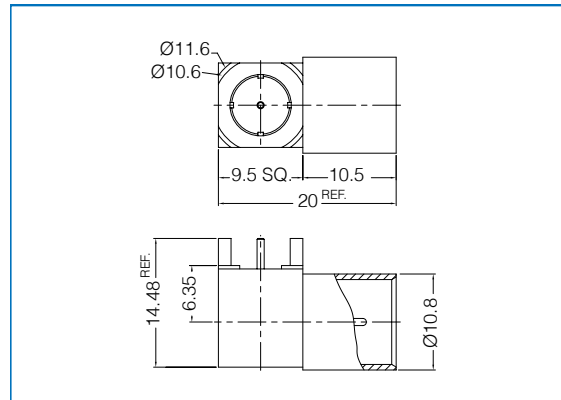
TGF11A-AXXN01

Cable group : 03, 05, 10, 11

**Right Angle Plug, PCB Mount**

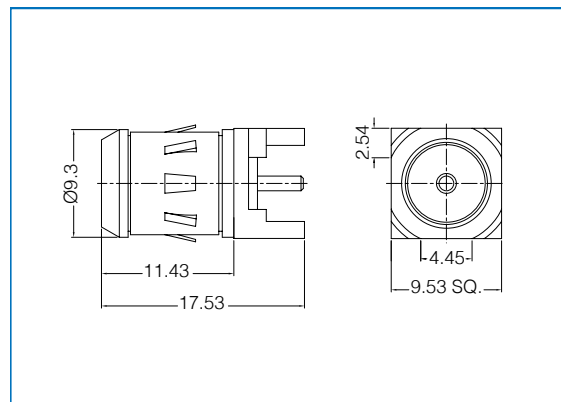
TGM21A-TCPN01

Mounting hole : "K"

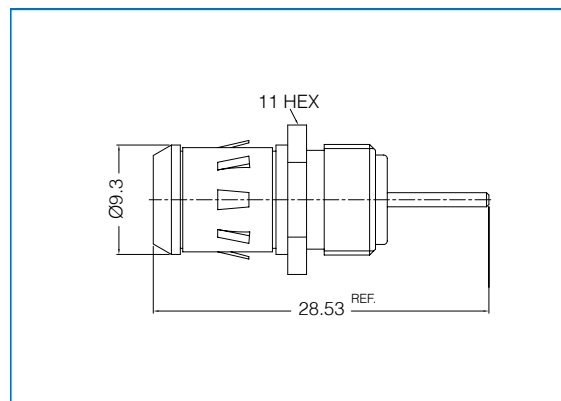
**Jack, PCB Mount**

TGF11A-TCPN01

Mounting hole : "K"

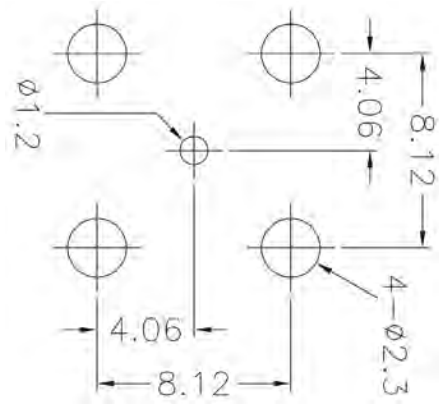
**Receptacle Jack, Front Mount**

TGF11A-RECN01



PCB Layouts

Layout-K



Cable Groups

A01 - 50Ω - RG-178, 196	A08 - 50Ω - LMR200	A15 - 75Ω - RG-6	A22 - 75Ω - AT&T 734A	A29 - 50Ω - 141SR - RG-402U	A37 - 75Ω - FLEX 5
A02 - 50Ω - RG-174, 188A, 316, LMR100	A09 - 50Ω - RG-59U Plenum	A16 - 50Ω - 8X - LMR240	A23 - 75Ω - AT&T 735A	A30 - 50Ω - 1.13mm OD micro	A38 - 50Ω - 3D-2V
A03 - 75Ω - RG-179, 187	A10 - 75Ω - RG-59, 62	A17 - 50Ω - LMR400, Belden 9913	A24 - 50Ω - LMR600	A31 - 50Ω - 1.32mm OD micro	A39 - 50Ω - 5P-2V
A04 - 50Ω - RD-316U	A11 - 75Ω - Belden 1505A	A18 - 50Ω - RG-8, 9A, 9, 213, 214	A25 - 75Ω - Belden 1695A	A32 - 50Ω - 1.37mm OD micro	A40 - 50Ω - 8D-2V
A05 - 75Ω - RD-179U	A12 - 75Ω - Belden 8281	A19 - 75Ω - RG6U, Quad	A26 - 75Ω - Belden 8218	A33 - 50Ω - 047SR cable	A41 - 50Ω - 5D-FB, LMR300
A06 - 50Ω - RG-58, 58A, 58C, 141, LMR195	A13 - 75Ω - RG-59U Quad Shield	A20 - 75Ω - RG-11	A27 - 75Ω - BT-3002	A34 - 75Ω - FLEX 2	A42 - 50Ω - 1/4" Superflex
A07 - 50Ω - RG-55, 142, 223, 400	A14 - 75Ω - RG-59U Plenum	A21 - 75Ω - Belden 1694A	A28 - 50Ω - 088R/088SR, RG-405U	A35 - 75Ω - FLEX 3	A43 - 50Ω - 1/2" Superflex

7/16 Series - (DD)



7/16

FEATURES :

- Available for Large Cables
- White Bronze Finish as Standard
- Low PIM Materials

APPLICATIONS :

- Cellular Antennas
- Telecom Base Stations
- In-Building Wireless
- Medical Infrastructure
- High Power RF

ELECTRICAL SPECIFICATIONS

<u>Impedance</u>	<u>50 Ω</u>
<u>Frequency Range</u>	<u>0 – 7.5 GHz</u>
<u>Working Voltage</u>	<u>≤ 2500 VRMS</u>
<u>Dielectric Withstanding Voltage</u>	<u>3000 VRMS</u>
<u>VSWR</u>	<u>Straight : 1.30 max</u>
	<u>Right Angle : 1.50 max</u>
<u>Insulator Resistance</u>	<u>10000 MΩ min.</u>

MATERIAL SPECIFICATIONS

<u>Body and outer contacts</u>	<u>Brass, white bronze</u>
<u>Male contact</u>	<u>Brass, silver plated</u>
<u>Female contact</u>	<u>Beryllium Copper, silver plated</u>
<u>Insulator</u>	<u>PTFE</u>
<u>Crimp ferrule</u>	<u>Copper or brass, white bronze or nickel plated</u>

MECHANICAL SPECIFICATIONS

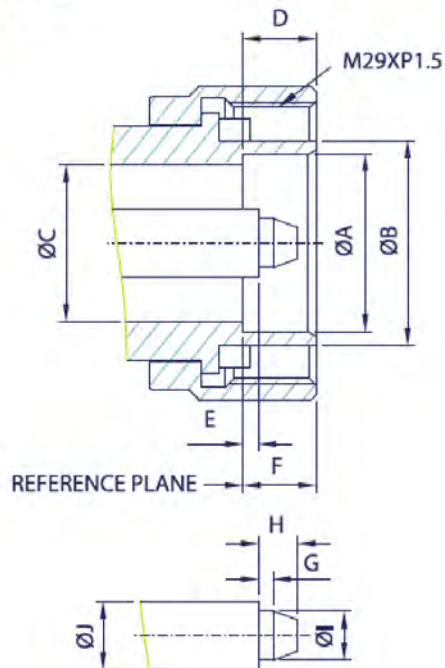
<u>Coupling mating torque</u>	<u>225 lbs. Min</u>
<u>Cable Retention</u>	<u>45 lbs min. (flexible cable)</u>
<u>Durability (matings)</u>	<u>500 cycles min.</u>

ENVIRONMENTAL

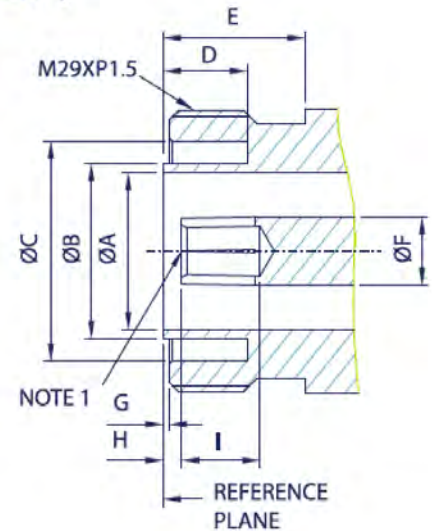
<u>Temperature range</u>	<u>-65°C to +165°C</u>
--------------------------	------------------------

INTERFACE MATING DIMENSIONS

PLUG /



JACK /



PLUG		
Letter	Millimeters	
	Minimum	Maximum
A	18.03	18.21
B	20.60	21.40
C	15.85	16.25
D	7.00	8.00
E	1.47	1.77
F	7.00	9.00
G	1.40	1.60
H	-	4.50
J	4.96	5.04
K	6.97	7.03

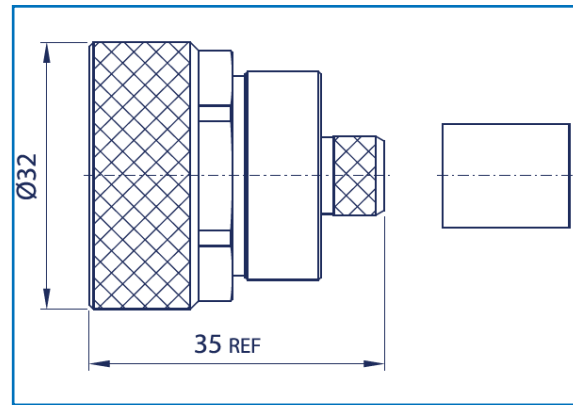
JACK		
Letter	Millimeters	
	Minimum	Maximum
A	15.85	16.25
B	-	18.00
C	22.10	22.90
D	8.10	-
E	10.00	-
F	6.94	7.03
G	0.50	0.70
H	1.77	2.07
I	5.00	-

NOTE 1: I.D. TO MEET VSWR AND CONTACT RESISTANCE WHEN MATED WITH 4.96 / 5.04 MM DIA. PIN.

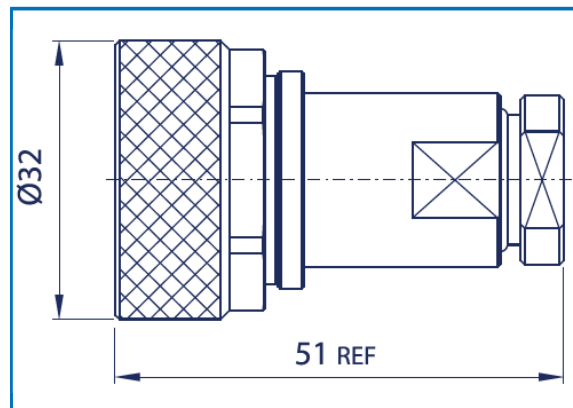
7/16 Plug, Crimp

DDM11A-AXXW01

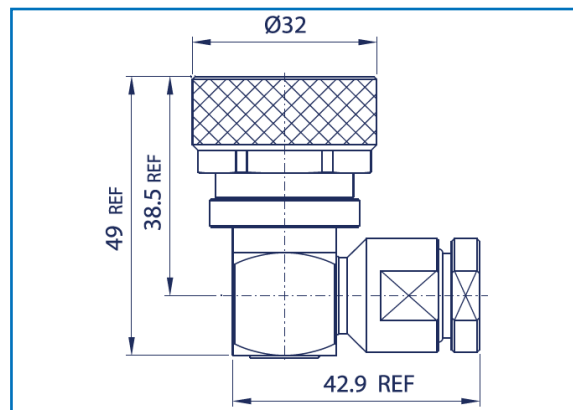
Cable group : 08, 16, 17, 18, 24

**7/16 Plug, Clamp**

DDM12A-AXXW01

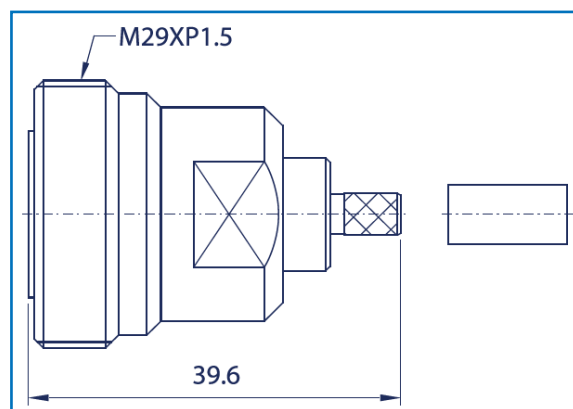
Cable group : 08, 16, 17, 18, 24, 29,
42, 43**7/16 Right Angle Plug, Clamp**

DDM21A-AXXW01

Cable group : 08, 16, 17, 18, 24, 29,
42, 43**7/16 Jack, Crimp**

DDF11A-AXXW01

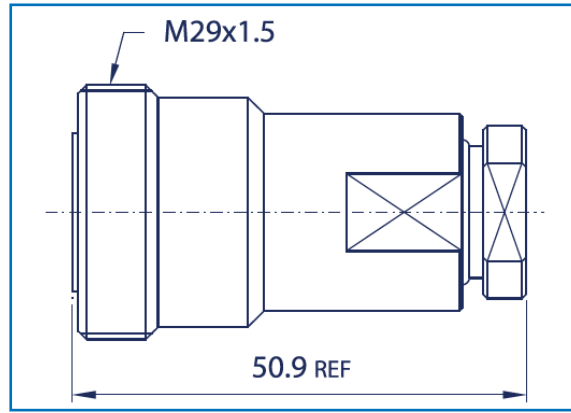
Cable group : 08, 16, 17, 18, 24



7/16 Jack, Clamp

DDF12A-AXXW01

Cable group : [08](#), [16](#), [17](#), [18](#), [24](#), [29](#),
[42](#), [43](#)

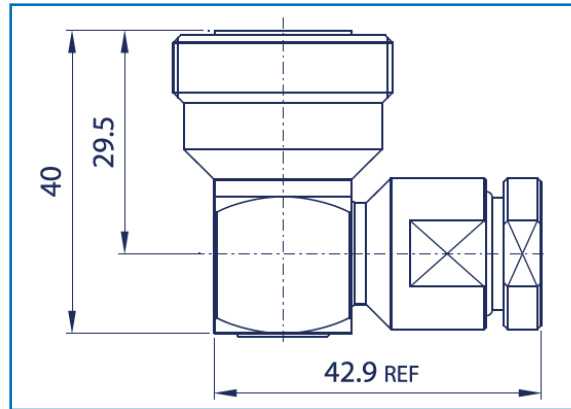


Cable Groups

7/16 Right Angle Jack, Clamp

DDF12A-AXXW01

Cable group : [08](#), [16](#), [17](#), [18](#), [24](#), [29](#),
[42](#), [43](#)

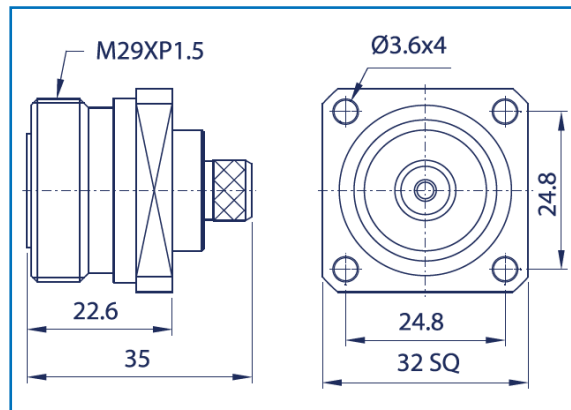


- A01 - 500 - RG-178, 198
- A02 - 500 - RG-174, 188A, 316, LMR100
- A03 - 750 - RG-179, 187
- A04 - 500 - RD-316/U
- A05 - 750 - RD-179/U
- A06 - 500 - RG-58, 58A, 58C, 141, LMR195
- A07 - 500 - RG-55, 142, 223, 400
- A08 - 500 - LMR200
- A09 - 500 - RG-59/U Plenum
- A10 - 750 - RG-59, 62
- A11 - 750 - Belden 1505A
- A12 - 750 - Belden 8281
- A13 - 750 - RG-59/U Quad Shield
- A14 - 750 - RG-59/U Plenum

7/16 Panel Jack, Crimp

DDF41A-AXXW01

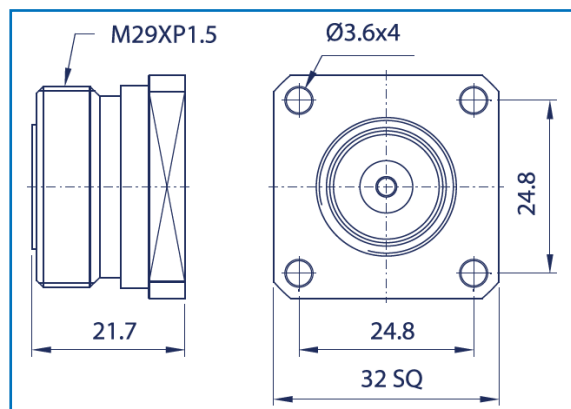
Cable group : [08](#), [16](#), [17](#), [18](#), [24](#)



- A15 - 750 - RG-6
- A16 - 500 - 8X, LMR240
- A17 - 500 - LMR400, Belden 9913
- A18 - 500 - RG-8, 8A, 9, 213, 214
- A19 - 750 - RG6/U Quad
- A20 - 750 - RG-11
- A21 - 750 - Belden 1694A
- A22 - 750 - AT&T 734A
- A23 - 750 - AT&T 735A
- A24 - 500 - LMR800
- A25 - 750 - Belden 1695A
- A26 - 750 - Belden 8218
- A27 - 750 - BT-3002
- A28 - 500 - 0889, 0885R, RG-405/U

7/16 Panel Jack with O-Ring

DDF41A-4HLW01



- A29 - 500 - 141SR, RG-402/U
- A30 - 500 - 1.13mm OD micro
- A31 - 500 - 1.32mm OD micro
- A32 - 500 - 1.37mm OD micro
- A33 - 500 - 047SR cable
- A34 - 500 - FLEX 2
- A35 - 750 - FLEX 3
- A37 - 750 - FLEX 5
- A38 - 500 - 30-2V
- A39 - 500 - 5P-2V
- A40 - 500 - 8D-2V
- A41 - 500 - 5D-FB, LMR300
- A42 - 500 - 1/4" Superflex
- A43 - 500 - 1/2" Superflex

BETWEEN SERIES ADAPTERS -



FEATURES :

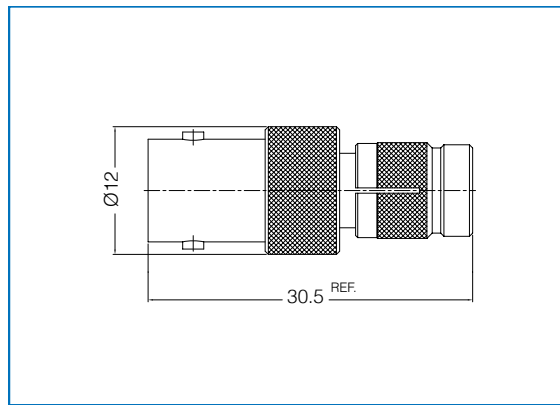
- To join two incompatible series
- 50 Ohm and 75 Ohm versions
- Nickel Plated

APPLICATIONS :

- Testing
- Antenna Connecting
- Radio Industry
- Public Address Systems
- Wireless Network Antennas

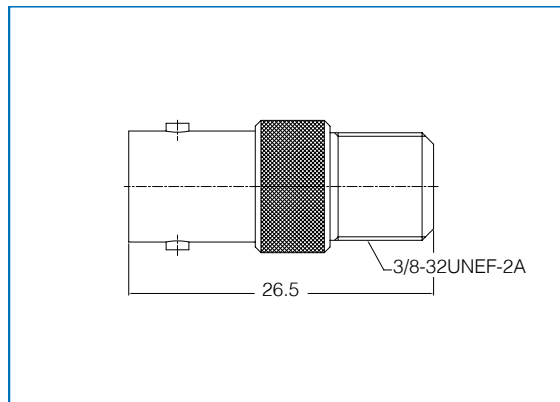
**BNC Jack to 1.0/2.3 Plug
75 Ohm**

BA-C7F-D7M-75



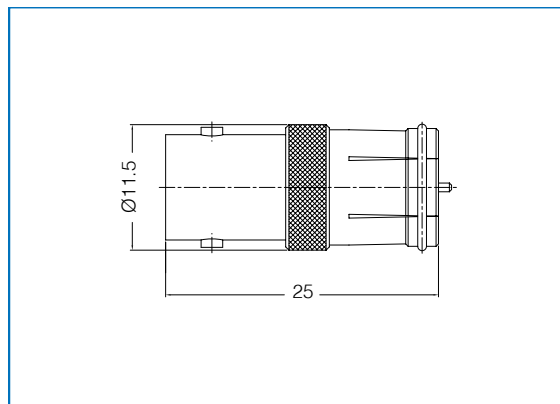
**BNC Jack to F Jack
75 Ohm**

BA-C7F-TFF-75



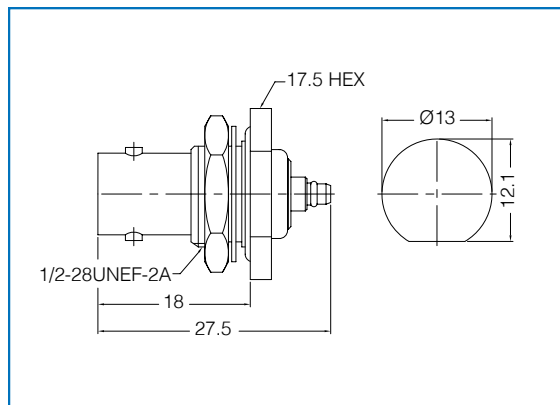
**BNC Jack to F Quick Plug
75 Ohm**

BA-C7F-TFM-75



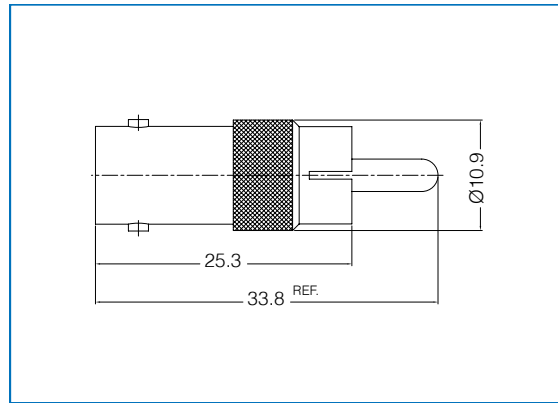
**BNC Jack to MMCX Plug
50 Ohm**

BA-C5F-MMM-50



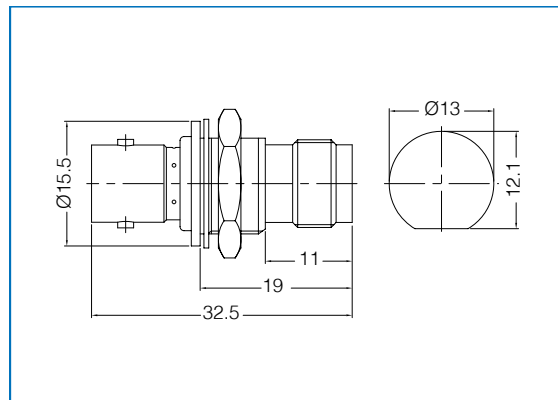
**BNC Jack to RCA Plug
50 Ohm**

BA-C5F-RCM-50



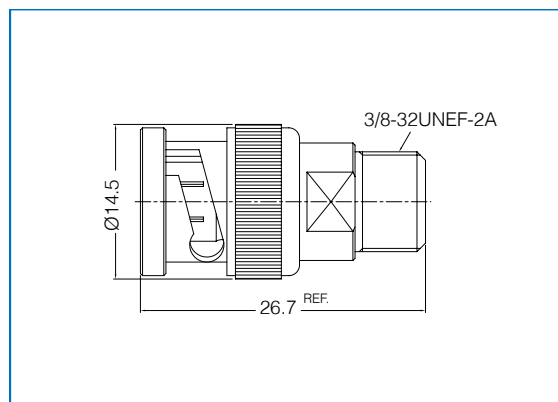
**BNC Jack to TNC Jack
50 Ohm**

BA-C5F-T5F-50



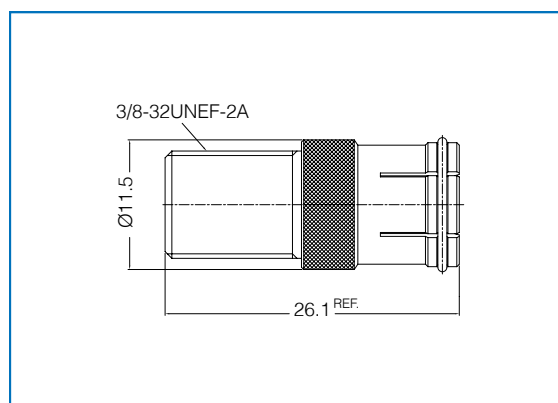
**BNC Plug to F Jack
75 Ohm**

BA-C7M-TFF-75



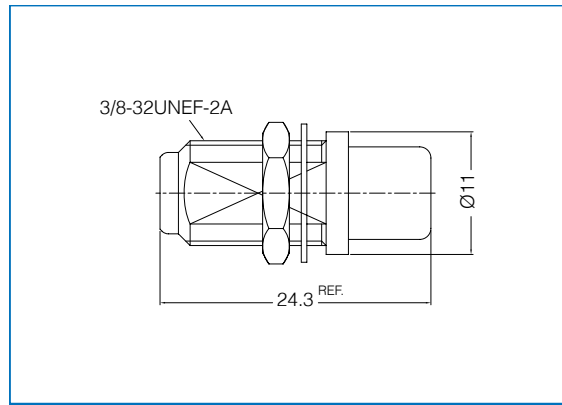
**F Jack to PAL Quick Jack
75 Ohm**

BA-TFF-PAF-75



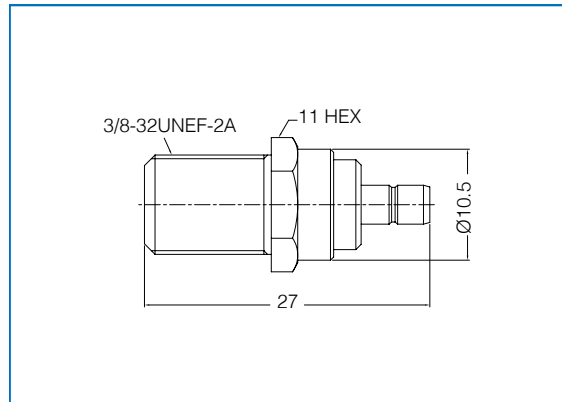
**F Jack to RCA Jack
75 Ohm**

BA-TFF-RCF-75



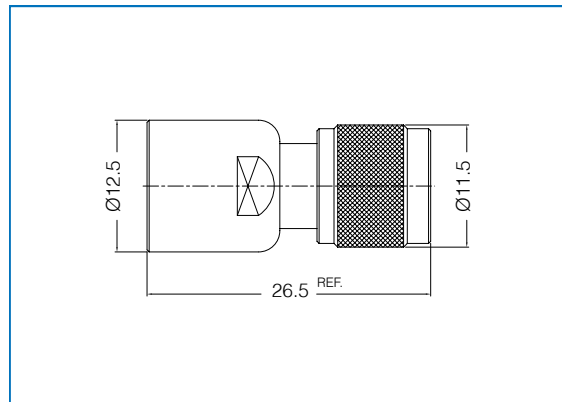
**F Jack to SMB Jack
75 Ohm**

BA-TFF-B7M-75



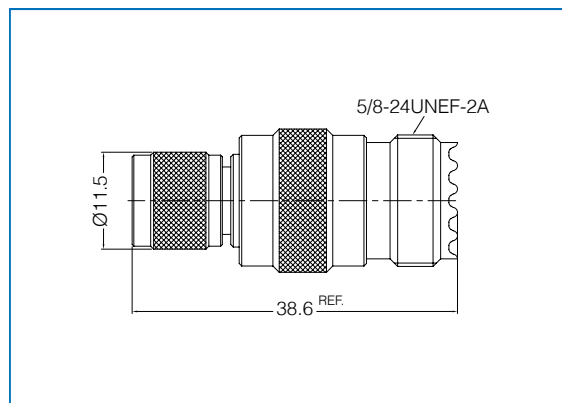
**FME Plug to MINI-UHF Plug
50 Ohm**

BA-MEM-MUM-50



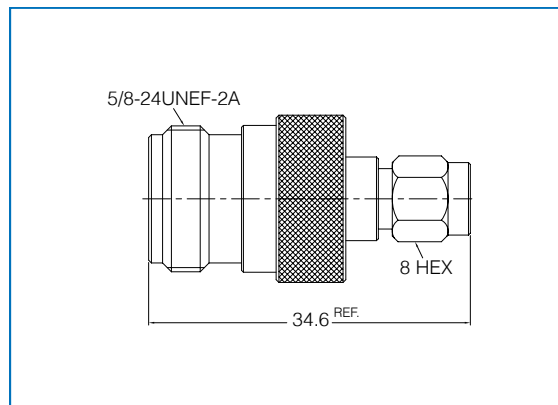
**MINI-UHF Plug to UHF Jack
50 Ohm**

BA-MUM-AUF-50



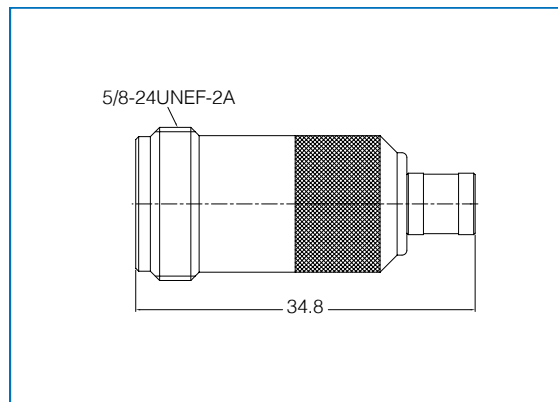
N Jack to SMA Plug
50 Ohm

BA-N5F-SMM-50



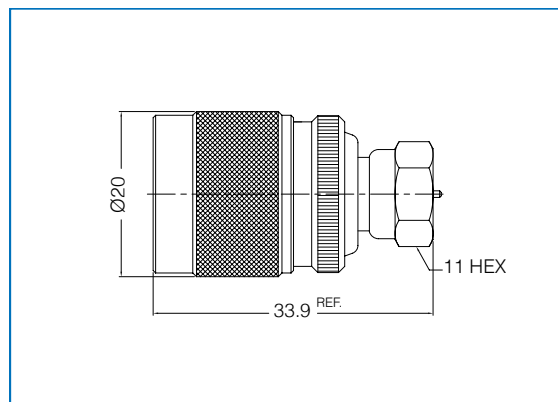
N Jack to MINI SMB Plug
75 Ohm

BA-N7F-B7F-75



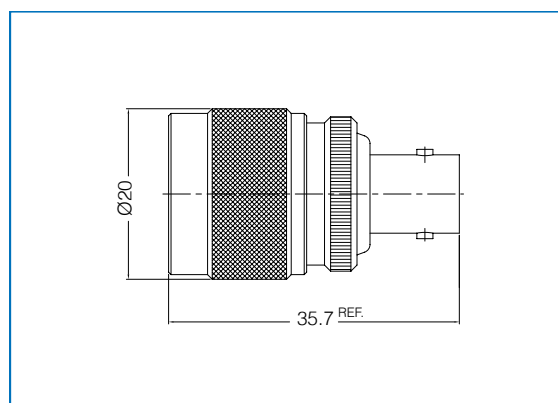
N Plug to F Plug
75 Ohm

BA-N7M-TFM-75



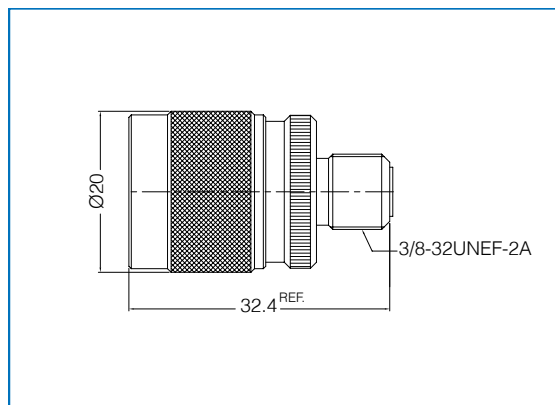
N Plug to BNC Jack
50 Ohm

BA-N5M-C5F-50



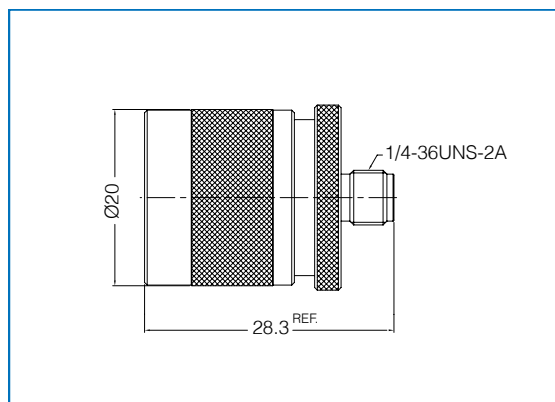
***N Plug to F Jack
75 Ohm***

BA-N7M-TFF-75



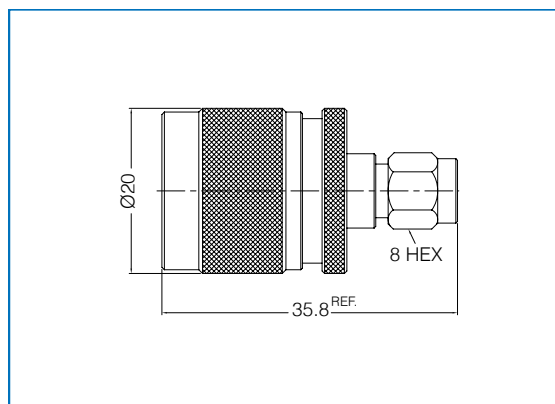
***N Plug to SMA Jack
50 Ohm***

BA-N5M-SMF-50



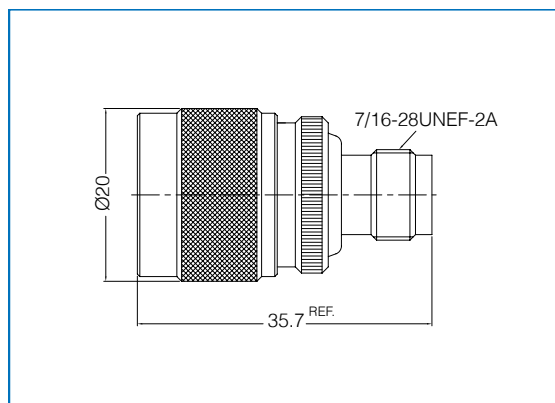
***N Plug to SMA Plug
50 Ohm***

BA-N5M-SMM-50



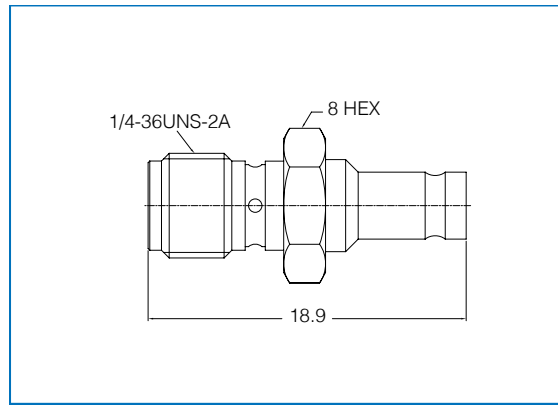
***N Plug to TNC Jack
50 Ohm***

BA-N5M-T5F-50



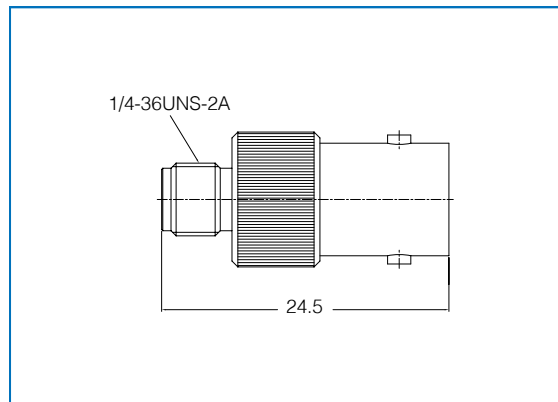
**SMA Jack to 1.0/2.3 Jack
50 Ohm**

BA-SMF-D5F-50



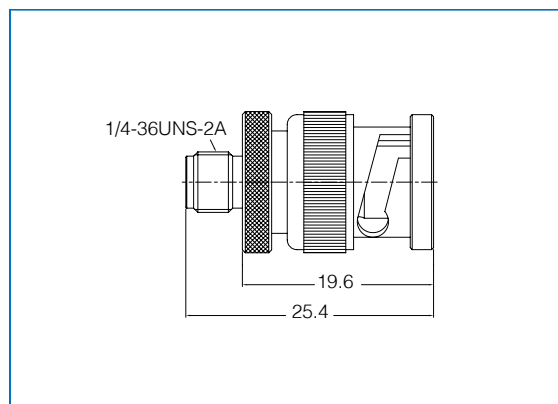
**SMA Jack to BNC Jack
50 Ohm**

BA-SMF-C5F-50



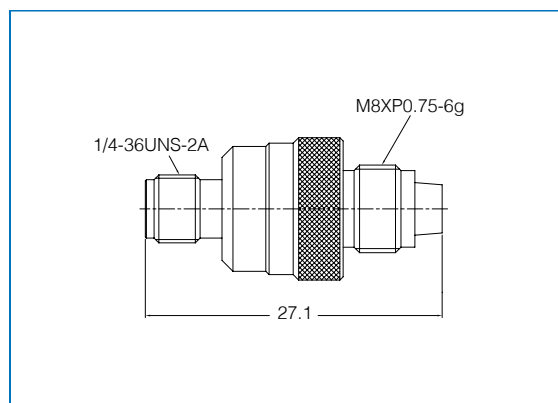
**SMA Jack to BNC Plug
50 Ohm**

BA-SMF-C5M-50



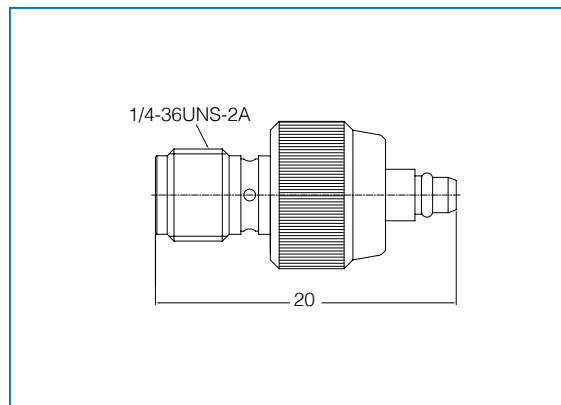
**SMA Jack to FME Jack
50 Ohm**

BA-SMF-MEF-50



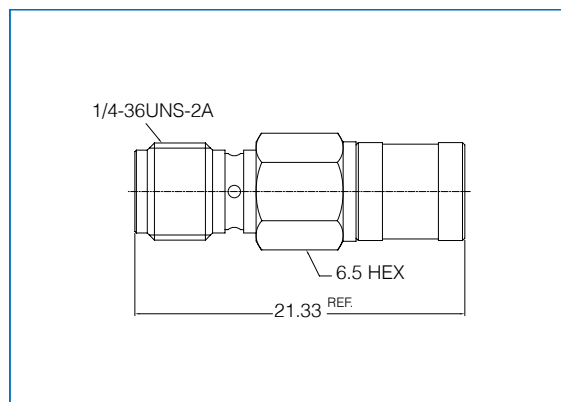
**SMA Jack to MMCX Plug
50 Ohm**

BA-SMF-MMM-50



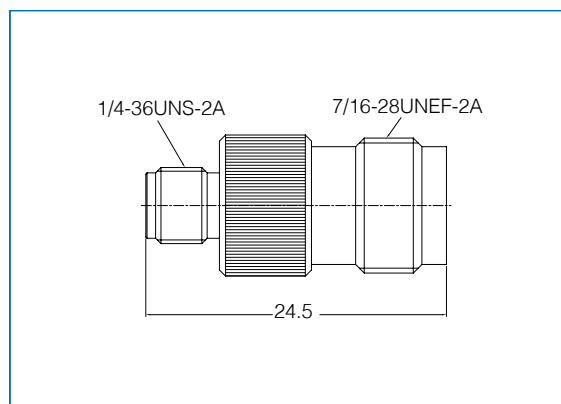
**SMA Jack to SMB Plug
50 Ohm**

BA-SMF-B5F-50



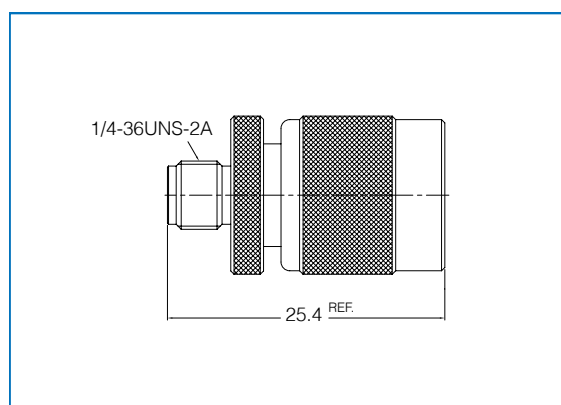
**SMA Jack to TNC Jack
50 Ohm**

BA-SMF-T5F-50



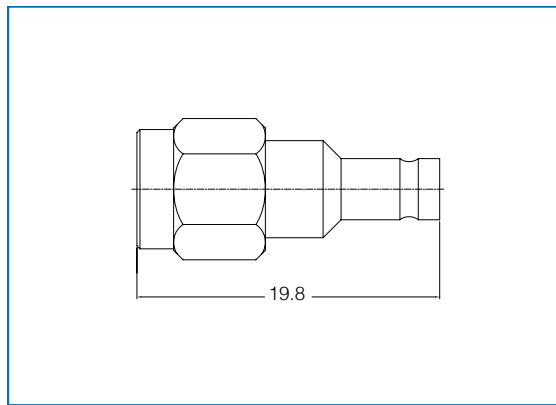
**SMA Jack to TNC Plug
50 Ohm**

BA-SMF-T5M-50



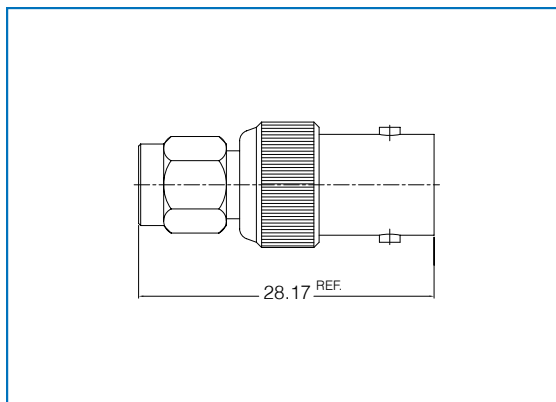
**SMA Plug to 1.0/2.3 Jack
50 Ohm**

BA-SMM-D5F-50



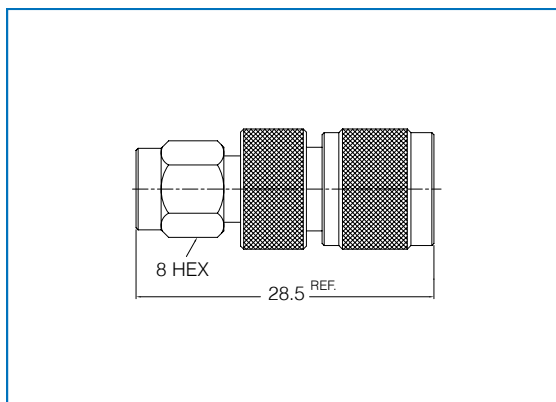
**SMA Plug to BNC Jack
50 Ohm**

BA-SMM-C5F-50



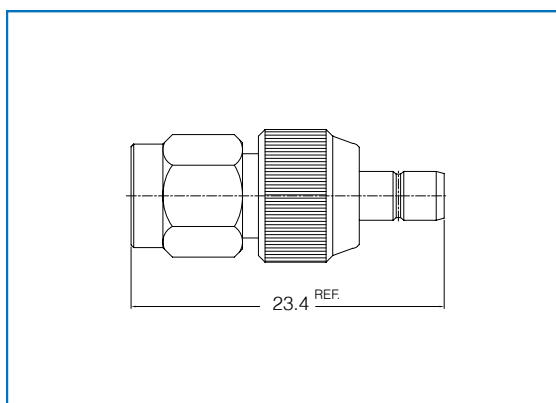
**SMA Plug to MINI-UHF Plug
50 Ohm**

BA-SMM-MUM-50



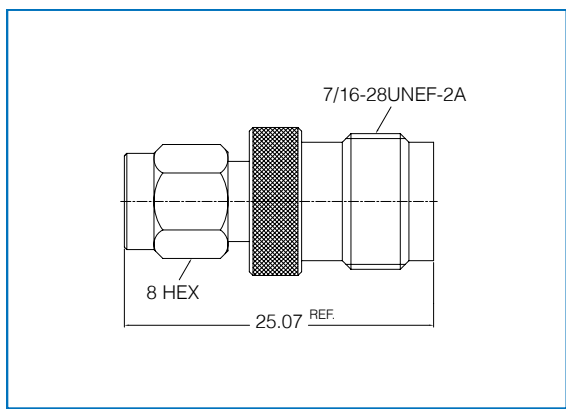
**SMA Plug to SMB Jack
50 ohm**

BA-SMM-B5M-50



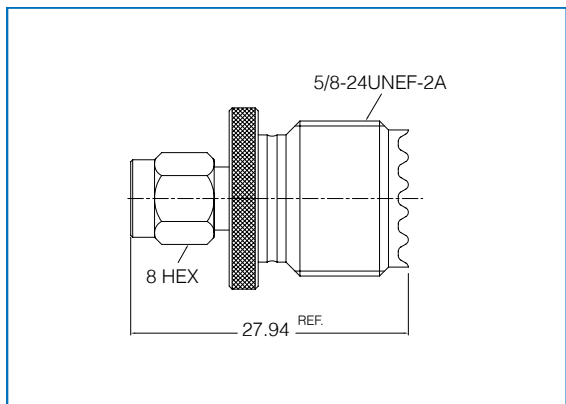
SMA Plug to TNC Jack
50 Ohm

BA-SMM-T5F-50



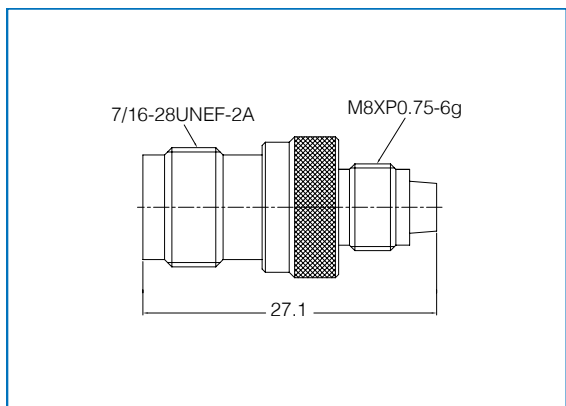
SMA Plug to UHF Jack
50 Ohm

BA-SMM-AUF-50



TNC Jack to FME Jack
50 Ohm

BA-T5F-MEF-50



FIXED ATTENUATOR Series



ATTENUATOR

FEATURES :

- High attenuation accuracy

APPLICATIONS :

- Communications
- Digital transmission
- Radar
- Broadcast television
- Test equipment

ELECTRICAL SPECIFICATIONS

<u>Impedance</u>	<u>50 Ω</u>
<u>Frequency Range</u>	<u>DC – 18 GHz</u>
<u>Attenuation</u>	<u>1 dB ~ 40 dB</u>
<u>Attenuation Accuracy</u>	<u>± 0.3 dB</u>
<u>VSWR</u>	<u>1.25 max</u>
<u>Average Power</u>	<u>2 Watt</u>

MATERIAL SPECIFICATIONS

<u>Body and outer contacts</u>	<u>Brass, nickel or gold plated</u>
<u>Male contact</u>	<u>Brass, gold plated</u>
<u>Female contact</u>	<u>Beryllium Copper or Phosphor Bronze, gold plated</u>
<u>Insulator</u>	<u>PTFE</u>

ENVIRONMENTAL

<u>Temperature Range</u>	<u>-55°C to +150°C</u>
--------------------------	------------------------

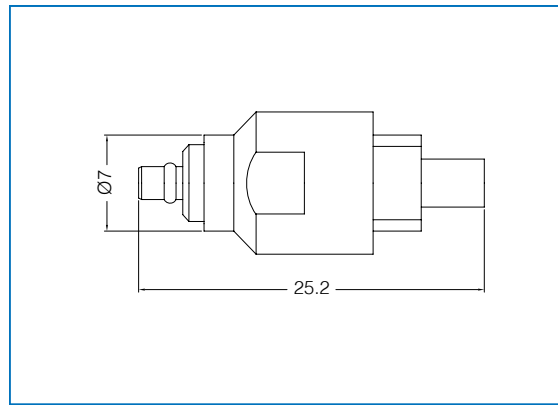
MMCX Plug to Jack

AT-MMM-MMF

* 06 = DC to 6 GHz

06 = 6 dB \pm 0.5 dB

2 = 2 Watt



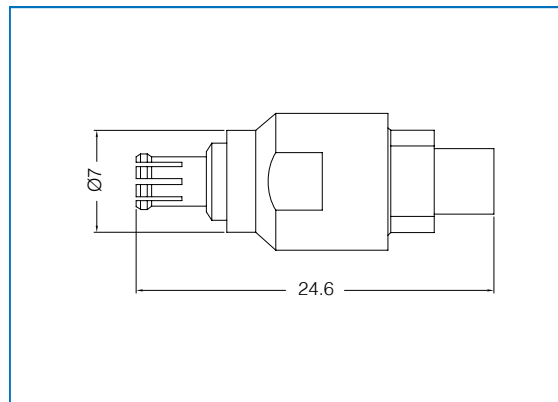
MCX Plug to Jack

AT-M5M-M5F

* 06 = DC to 6 GHz

04 = 4 dB \pm 0.5 dB

2 = 2 Watt



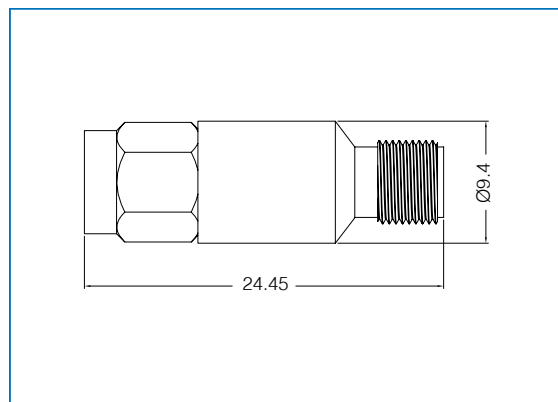
SMA Plug to Jack

AT-SMM-SMF

* 06 = DC to 6 GHz

10 = 10 dB \pm 0.5 dB

2 = 2 Watt



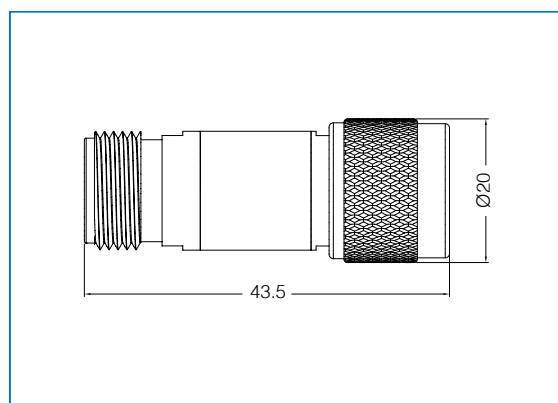
N Plug to Jack

AT-N5M-N5F

* 06 = DC to 6 GHz

30 = 30 dB \pm 1.5 dB

2 = 2 Watt

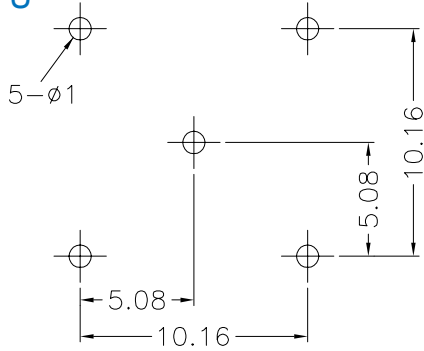


PCB Layouts - Dimensions in mm

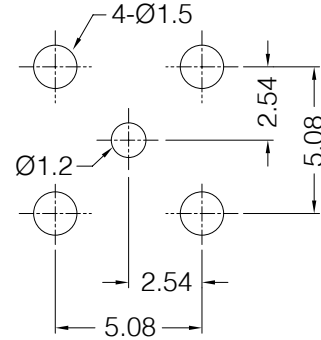
<p>TYPE A</p> <p>4-ø1.7 ø1.5 2.54 5.08 2.54 5.08</p>	<p>TYPE B</p> <p>4-ø1.7 ø1.2 2.54 5.08 2.54 5.08</p>
<p>TYPE C</p> <p>4-ø1.5 ø1.3 3.175 6.35 3.175 6.35</p>	<p>TYPE E</p> <p>3-ø1.7 ø1.1 4.32 6.48 3.735 7.47</p>
<p>TYPE F</p> <p>ø1.3 4-ø1.5 5.08 10.16 5.08 10.16</p>	<p>TYPE G</p> <p>2-ø2 2-ø0.9 2.54 5.08 10.16 5.08 10.16</p>
<p>TYPE H</p> <p>2-ø2 2-ø0.9 10.16 5.08 5.08 2.54</p>	<p>TYPE J</p> <p>5-ø1.7 10.2 10.2</p>

<p>TYPE K</p>	<p>TYPE L</p>
<p>TYPE M</p>	<p>TYPE N</p>
<p>TYPE P</p>	<p>TYPE Q</p>
<p>TYPE R</p>	<p>TYPE T</p>

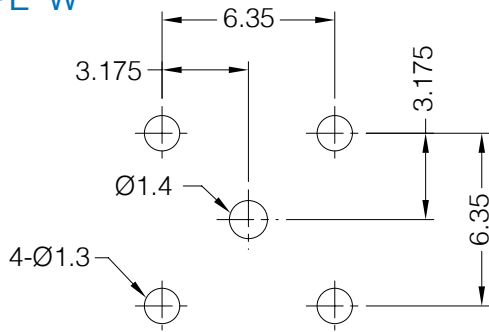
TYPE U



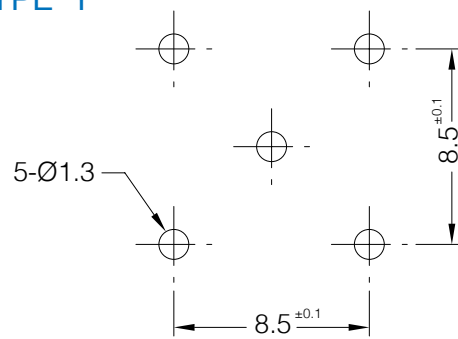
TYPE V



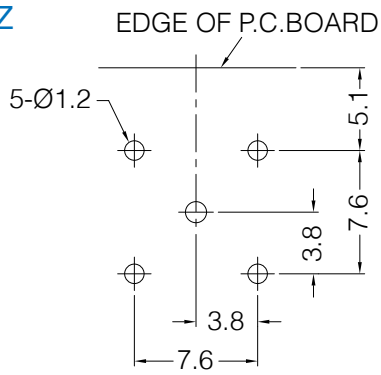
TYPE W



TYPE Y



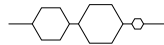
TYPE Z



Application Chart of Crimping Dies

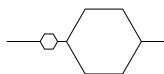


Die Set No. 1317



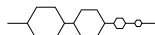
Hex Sizes : .213 / .255 / .068
Ferrule O.D. : 7.5mm / 6.5mm
Contact O.D. : 2.1mm
Cable Group : RG-58, 59, 62, 223, LMR-195, LMR-200, LMR-240
For : BNC, TNC, N, Mini-UHF

Die Set No. 1319



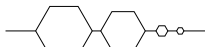
Hex Sizes : .10 / .429
Ferrule O.D. : 12.4mm
Contact O.D. : 3.0mm
Cable Group : RG-8, 11, 213, 214
For : N

Die Set No. 1346



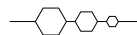
FHex Sizes : .213 / .178 / .068 / .042
ferrule O.D. : 6.5mm / 5.3mm
Contact O.D. : 2.1mm / 1.35mm
Cable Group : RG-58, 174, Belden-1855A, Belden-8218, AT&T 735A, BT-3002
For : BNC, True 75Ω BNC, TNC, N, SMA

Die Set No. 1347



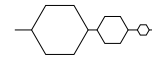
Hex Sizes : .324 / .255 / .068 / .042
Ferrule O.D. : 9.5mm / 7.5mm
Contact O.D. : 2.1mm / 1.35mm
Cable Group : RG-6, 59, Belden-8241, Belden-8281, AT&T 734A, LMR-240
For : BNC, True 75Ω BNC, TNC, N, SMA

Die Set No. 1351



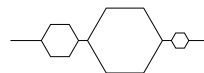
Hex Sizes : .178 / .128 / .068
Ferrule O.D. : 5.3mm / 3.9mm
Contact O.D. : 2.1mm
Cable Group : RG-174, 188, 196, 316, 179, LMR-100
For : BNC, TNC, SMA, SMB, SMC, MCX, MMCX

Die Set No. 1352



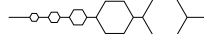
Hex Sizes : .324 / .178 / .068
Ferrule O.D. : 9.5mm / 5.3mm
Contact O.D. : 2.1mm
Cable Group : RG-174, 179, 316, LMR-100, Belden-8281, RG-6, LMR-300
For : BNC, TNC, N, SMA, SMB, SMC

Die Set No. 1353



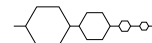
Hex Sizes : .213 / .429 / .10
Ferrule O.D. : 6.5mm / 12.4mm
Contact O.D. : 3.0mm
Cable Group : RG-58, 8, 223, LMR-195, LMR-200
For : N

Die Set No. 1355



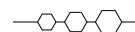
Hex Sizes : .052 / .068 / .10 / .213 / .255
Ferrule O.D. : 7.5mm / 6.5mm
Contact O.D. : 3.0mm / 2.1mm / 1.5mm
Cable Group : RG-58, 59, 62, 223, LMR-195
For : BNC, TNC, SMA, SMB, SMC, Mini-UHF, N

Die Set No. 1376



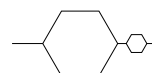
Hex Sizes : .255 / .178 / .068 / .052
Ferrule O.D. : 7.5mm / 5.3mm
Contact O.D. : 2.1mm / 1.5mm
Cable Group : RG-59, 62, 223, 174, 179, 316, LMR-100
For : BNC, TNC, N, SMA, SMB, SMC

Die Set No. 1377



Hex Sizes : .105 / .128 / .151
Ferrule O.D. : 4.4mm / 3.9mm
Contact O.D. : 3.0mm
Cable Group : RG-178, 316, 179, RD-179, RD-316, LMR-100
For : SMA, SMB, SMC, MCX, MMCX

Die Set No. 1380



Hex Sizes : .429 / .118
Ferrule O.D. : 12.4mm
Contact O.D. : 3.5mm
Cable Group : Belden-9913, LMR-400
For : BNC, TNC, N

Reflection → Conversion Table

VSWR	Rf	RL (dB)
1.010	0.005	46.06
1.020	0.0099	40.09
1.030	0.0148	36.61
1.040	0.0196	34.15
1.050	0.0244	32.26
1.060	0.0291	30.71
1.070	0.0338	29.42
1.080	0.0385	28.30
1.090	0.0431	27.32
1.100	0.0476	26.44
1.110	0.0521	25.66
1.120	0.0566	24.94
1.130	0.061	24.29
1.140	0.0654	23.69
1.150	0.0698	23.13
1.160	0.0741	22.61
1.170	0.0783	22.12
1.180	0.0826	21.66
1.190	0.0868	21.23
1.200	0.0909	20.83
1.210	0.095	20.44
1.220	0.0991	20.08
1.230	0.1031	19.73
1.240	0.1071	19.40
1.250	0.1111	19.08
1.260	0.115	18.78
1.270	0.1189	18.49
1.280	0.1228	18.22
1.290	0.1266	17.95
1.300	0.1304	17.69
1.310	0.1342	17.45
1.320	0.1379	17.21
1.330	0.1416	16.98
1.340	0.1453	16.75
1.350	0.1489	16.54
1.360	0.1525	16.33
1.370	0.1561	16.13
1.380	0.1597	15.94
1.390	0.1632	15.75

RL (dB)	Rf	VSWR
50.00	0.0032	1.006
49.00	0.0035	1.007
48.00	0.004	1.008
47.00	0.0045	1.009
46.00	0.005	1.010
45.00	0.0056	1.011
44.00	0.0063	1.013
43.00	0.0071	1.014
42.00	0.0079	1.016
41.00	0.0089	1.018
40.00	0.01	1.020
39.00	0.0112	1.023
38.00	0.0126	1.025
37.00	0.0141	1.029
36.00	0.0158	1.032
35.00	0.0178	1.036
34.00	0.02	1.041
33.00	0.0224	1.046
32.00	0.0251	1.052
31.00	0.0282	1.058
30.00	0.0316	1.065
29.00	0.0355	1.074
28.00	0.0398	1.083
27.00	0.0447	1.094
26.00	0.0501	1.106
25.00	0.0562	1.119
24.00	0.0631	1.135
23.00	0.0708	1.152
22.00	0.0794	1.173
21.00	0.0891	1.196
20.00	0.1	1.222
19.00	0.1122	1.253
18.00	0.1259	1.288
17.00	0.1413	1.329
16.00	0.1585	1.377
15.00	0.1778	1.433
14.00	0.1995	1.499
13.00	0.2239	1.577
12.00	0.2512	1.671

Rf	RL (dB)	VSWR
0.005	46.02	1.010
0.010	40.00	1.020
0.015	36.48	1.030
0.020	33.98	1.041
0.025	32.04	1.051
0.030	30.46	1.062
0.035	29.12	1.073
0.040	27.96	1.083
0.045	26.94	1.094
0.050	26.02	1.105
0.055	25.19	1.116
0.060	24.44	1.128
0.065	23.74	1.139
0.070	23.10	1.151
0.075	22.50	1.162
0.080	21.94	1.174
0.085	21.41	1.186
0.090	20.92	1.198
0.095	20.45	1.210
0.100	20.00	1.222
0.105	19.58	1.235
0.110	19.17	1.247
0.115	18.79	1.260
0.120	18.42	1.273
0.125	18.06	1.286
0.130	17.72	1.299
0.135	17.39	1.312
0.140	17.08	1.326
0.145	16.77	1.339
0.150	16.48	1.353
0.155	16.19	1.367
0.160	15.92	1.381
0.165	15.65	1.395
0.170	15.39	1.410
0.175	15.14	1.424
0.180	14.88	1.439
0.185	14.66	1.454
0.190	14.42	1.469
0.195	14.20	1.484

VSWR = Voltage Standing Wave Ratio Rf = Reflection Coefficient RL = Return Loss

www.ConductRF.com



Tel +1 860 323 8001
eMail: sales@ConductRF.com