

FIT GUIDE - GLS™ PRO-FIT™ HOLSTERS



576 PRO-FIT
HI-RIDE



577 PRO-FIT
BELT SLIDE



579 PRO-FIT
BELT CLIP



575 PRO-FIT
IWB HOLSTER

WORK ONLY WITH:
Sub-Compact, Standard
and Compact Fits

*Muzzle may extend outside
holster on Standard Fits



578 PRO-FIT
PADDLE/BELT SLIDE
COMBO



MANUFACTURER	SHIM
FNS 9 COMPACT	
FNS 40 COMPACT	
GLOCK 26	
GLOCK 27	
GLOCK 30	
GLOCK 30S	
GLOCK 33	
GLOCK 39	
H&K P2000SK 9mm, .40	
H&K P30SK 9mm, 40	
M&P SHIELD 9mm, 40	
RUGER SR-40C	
RUGER SR-9C	●
S&W M&P COMPACT 9mm, .40	
S&W M&P 45 COMPACT	
S&W M&P SHIELD 9mm, .40	
SPRINGFIELD XDS 9mm 3.3"	
SPRINGFIELD XDS 45 3.3"	
TANFOGLIO WITNESS P CARRY 9mm	
TANFOGLIO WITNESS P COMPACT 9mm	
TANFOGLIO WITNESS P CARRY 40	
TANFOGLIO WITNESS P COMPACT 40	
TANFOGLIO WITNESS P CARRY 45	
TANFOGLIO WITNESS P COMPACT 45	
TANFOGLIO WITNESS P CARRY 10mm	
TANFOGLIO WITNESS P COMPACT 10mm	
WALTHER P99C DAO 9mm, 40	
WALTHER P99C QA 9mm, 40	
WALTHER P99C AS 9mm, 40	
WALTHER PPS 9mm, .40	

SUB-COMPACT

MANUFACTURER	SHIM
CENTURY ARMS (CANIK) 40SA	
CENTURY ARMS (CANIK) TP9SA	
GAMO PT85 BLOWBACK (AIRSOFT)	
GLOCK 17	
GLOCK 20	
GLOCK 21	
GLOCK 22	
GLOCK 31	
GLOCK 37	
GRAND POWER 45	
GRAND POWER K100	
GRAND POWER P1	
GRAND POWER P1 ULTRA	
GRAND POWER P11	
GRAND POWER P40	
H&K 45	
H&K P30L 9mm, .40	
H&K VP40	
MAGNUM RESEARCH MR40	
MAGNUM RESEARCH MR9	
RUGER AMERICAN 45	
RUGER AMERICAN 9mm, .40	
SARSILMAZ SAR-P8L	
SARSILMAZ SAR-B69	
S&W M&P 22	
S&W M&P 45 4.5"	
S&W M&P 9mm, 40	
S&W M&P 9mm, 40 C.O.R.E.	
S&W SW40F	
SARSILMAZ ST-10	●
SIG P226 (No Rail) 9mm	●
TAURUS PT 24 9mm, 40, 45	
TAURUS PT809	
TAURUS PT840	
TAURUS PT845	

STANDARD

MANUFACTURER	SHIM
AMT 1911'S	●
ATI 1911'S	●
COLT 1911'S	●
CZ 75	●
ED BROWN 1911'S	●
FN FIVE-SEVEN	●
FNS 40 LS	
FNS 9 LS	
GLOCK 17L	
GLOCK 34	
GLOCK 35	
GLOCK 40	
GLOCK 41	
GRAND POWER X-CALIBER	
KIMBER 1911'S	●
LES BAER 1911'S	●
NIGHTHAWK 1911'S	●
PARA ORDNANCE 1911'S	●
REMINGTON 1911'S	●
ROCK ISLAND ARMORY 1911'S	●
ROCK RIVER ARMS 1911'S	●
RUGER 1911'S	
RUGER AMERICAN .45	
S&W 1911'S	●
S&W M&P 9L, 40L	
S&W M&P 9L, 40L C.O.R.E.	
SARSILMAZ SAR-K2-45	
SIG SAUER 1911'S	●
SPRINGFIELD 1911'S	●
STI 1911'S	●
TANFOGLIO 1911'S	●
TAURUS 1911'S	●
WALTHER PPQ 5" 9mm, .40	
WALTHER PPQ M2 5" 9mm, .40	
WILSON COMBAT 1911'S	●

LONG

MANUFACTURER	SHIM
BERSA BPCC .380, 9mm, .40	
CARACAL ENHANCED F	
CENTURY ARMS (CANIK) TP40	
CENTURY ARMS (CANIK) TP9	
FMK C140	
FMK C19 (9C1 G2 BLDG)	
FNS 9mm, .40	
FNX 9mm, .40	
GIRSAN MC-28	
GLOCK 19	
GLOCK 23	
GLOCK 29	
GLOCK 32	
GLOCK 38	
H&K 45C	
H&K P2000 9mm, .40	
H&K P30 9mm, .40	
H&K USP 9mm, .40	
H&K USP COMPACT 9mm, .40	
H&K VP9	
H&K VP40	
ISSC M22 (ATI)	
ROCK ISLAND MAPP EXT	
ROCK ISLAND MAPP STAN	
RUGER 9E	
RUGER SR-40	
RUGER SR-45	
RUGER SR-9	
S&W 99	
S&W M&P .45 4" (STD)	
S&W M&P .45 COMPACT	
S&W MODEL 469	
S&W SD40VE	
S&W SD9VE	
SARSILMAZ SARGUN	●
SARSILMAZ SAR-P86	
SARSILMAZ SAR-K-12	
SIG P225 (No Rail) 9mm	
SPRINGFIELD XDS 9mm, .45 4"	
TANFOGLIO WITNESS 9mm	●
TANFOGLIO WITNESS P FULL 10mm, 45	
TANFOGLIO WITNESS P FULL 9mm, .40	
TAURUS PT24 9mm, 40, 45 COMP	
TAURUS MILLENIUM G2	
WALTHER P99 Variants 9mm, .40	
WALTHER P99Q, .40	
WALTHER PPQ 4" 9mm, .40	
WALTHER PPQ M2 4" 9mm, .40	

COMPACT

MANUFACTURER	SHIM
BERETTA 92	
BERETTA 92S	
BERETTA 92F (M9)	
BERETTA 92FS (M9)	
BERETTA 90-TWO	
BERETTA 92A1	
BERETTA 92A3	
BERETTA 96	
BERETTA 96A1	
BERETTA 92 Centruion	
BERETTA 92 Vertec	
BERETTA 92 Brigadier ELT	
CZ P-09	
FNP .45	●
JERICHO 941	
JERICHO 941 PL	
JERICHO 941 F	
REX ZERO1	
S&W 5906TSW	
S&W 4566TSW	
SARSILMAZ SAR-K2-45	
SPHINX SDP STANDARD ALPHA	
SIG SAUER P320 9mm Standard	
SIG SAUER P320 .40 Standard	
SIG SAUER P320 .45 Standard	
SIG SAUER P226 9mm	
SIG SAUER P226 .40	
SIG SAUER P226R 9mm (Variants)	
SIG SAUER P226R .40 (Variants)	
SIG SAUER P220 .45	
SIG SAUER P220R .45	
SPRINGFIELD XD 9mm 5"	
SPRINGFIELD XD .40 5"	
SPRINGFIELD XD .45 5"	
SPRINGFIELD XDM 9mm 4.5"	
SPRINGFIELD XDM .40 4.5"	
SPRINGFIELD XDM .45 4.5"	
SPRINGFIELD XDM 9mm 5.25"	
SPRINGFIELD XDM .40 5.25"	
SPRINGFIELD XDM .45 5.25"	
STEYR L9A1	
STEYR M9A1	
STEYR L40A1	
STEYR M40A1	
WALTHER PPQ M2 .45	
WITNESS P-S	

WIDE LONG

KEY BENEFITS & FEATURES

- Proprietary SafariSeven™ material is completely non-abrasive to the firearm's finish
- Sight Channel™ design accommodates raised sights and mounted optics
- Safariland® paddle rides close to the body and is the most comfortable ergonomic design available
- The GLS™ (Grip Locking System) releases easily and naturally with a proper shooting grip using the middle finger as you draw
- The Safariland Pro-Fit holsters fit multiple firearms

MANUFACTURER	SHIM
CZ 75 P-01 9mm	
CZ P01	
CZ SP01	
CZ 97	
JERICHO 941 COMPACT	
JERICHO 941 PSL	
JERICHO 941 FS	
SARSILMAZ SAR-K2P	
SARILMAZ SAR-K2-42C	
SIG SAUER P320 9mm Compact	
SIG SAUER P320 9mm Carry	
SIG SAUER P320 40 Compact	
SIG SAUER P320 .40 Carry	
SIG SAUER P320 .45 Compact	
SIG SAUER P320 .45 Carry	
SIG SAUER P229R 9mm	
SIG SAUER P229R .40	
SIG SAUER P229R 9mm DAK	
SIG SAUER P229R .40 DAK	
SIG SAUER P229R 9mm E2	
SIG SAUER P229R .40 E2	
SIG SAUER P229 9mm (Non Rail)	
SIG SAUER P229 .40 (Non Rail)	
SIG SAUER SP2022	
SPHINX SDP COMPACT ALPHA	
SPHINX SDP SUBCOMPACT ALPHA	
STEYR C9A1	
STEYR S9A1	
STEYR C40A1	
STEYR S40A1	

WIDE STANDARD

PROPER HOLSTER ADJUSTMENT FOR USE



IMPORTANT FIT INFORMATION (THE SAFARILAND PRO-FIT HOLSTER MUST BE ADJUSTED BEFORE USE)

With proper adjustment, the 578 GLS™ Pro-Fit™ series holster is designed to fit a multitude of different guns in one holster body.

- Some holsters will simply require adjustment via an Allen socket screw for proper fit
- Others will require the addition of a shim (included in the holster package and noted on the outside of the package and front of this document). As a general rule, your pistol will require the installation of the enclosed trigger shim if the trigger guard is less than ½" in width.

TO ADD HOLSTER SHIM

If the fit guide says your pistol requires the shim, simply remove the side screw and bottom attachment screw (see fig. 1).

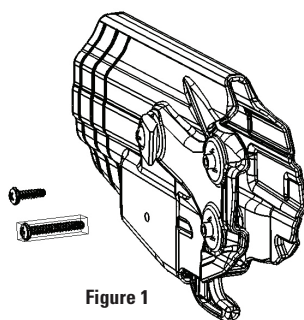


Figure 1

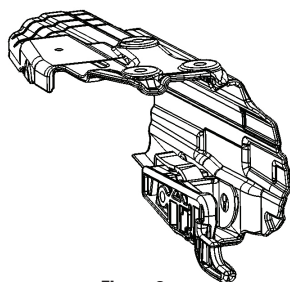


Figure 2

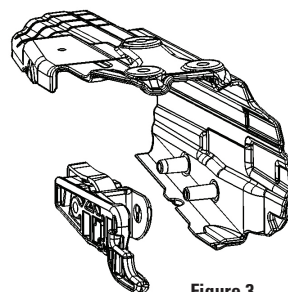


Figure 3

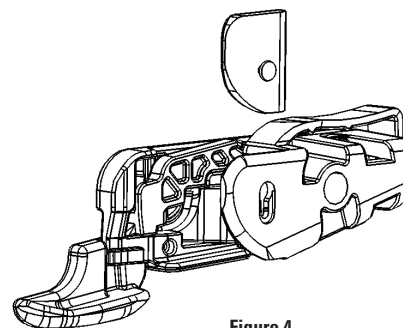


Figure 4

Remove the locking block (see figs. 2, 3, & 4) and install the shim by locking the shim to the inside of the trigger guard area of the block.

The shim can only fit in one position. The stud of the shim fits into the keyhole slot of the locking block (see fig. 5), and locks in place by pushing the shim tab down until the stud of the shim locks into the small end of the keyhole slot (see fig. 6). Fig 7 shows the shim in place.

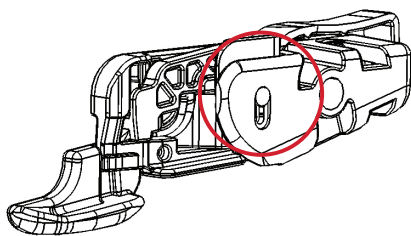


Figure 5

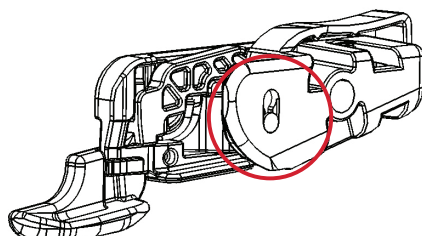


Figure 6

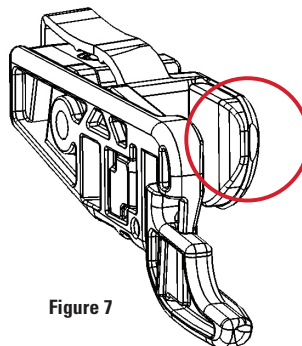


Figure 7

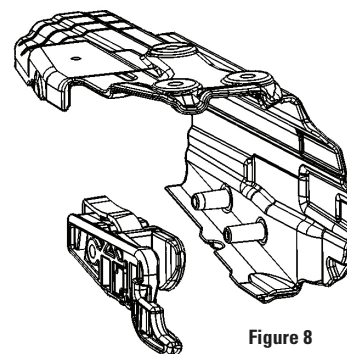


Figure 8

Replace the locking block back into the holster body and secure the cross and bottom screws (see fig. 8).

PROPER HOLSTER ADJUSTMENT

The remaining adjustment instructions are the same for the holster with or without the trigger shim in place.

- Insure that the small recessed stainless Allen socket screw, located low on the back edge of the holster, (adjacent to the firearm's dustcover) is flush with the surface of the holster body. Place an unloaded pistol in the holster until it locks into place. Tighten the Allen socket screw clockwise with supplied wrench, until you have eliminated any loose movement of the pistol in the holster.

- Draw an unloaded pistol several times from the holster and make any final adjustments by loosening or tightening the Allen socket screw.

- You should find a balanced adjustment whereby the handgun locks and unlocks with equal force and the drawing motion is smooth.

- To draw a handgun from the GLS™ Pro-Fit™ holster, form a shooting grip on the pistol by closing the middle finger last. If the grip is indexed in the proper position, the middle finger will automatically press in the proper position thus releasing the mechanism. The handgun can then be lifted straight up and out of the holster.

NOTE: If you should ever experience the inability to lock your handgun into the holster, while re-holstering, check to see if the pivoting trigger lock has been accidentally pushed down into its locked position. Instructions for this are in the Owner's Manual in the holster package.