



Bel-Halo
LED Dental Light

■ Bel-Halo

LED Dental Light

Superior look matched with superior qualities.

Color Rendering

Unique circular 10 bulb LED array provides cool white light that is excellent for tooth shade matching and differentiation of soft tissues. The 5000°K color temperature approximates natural daylight at all intensity settings and is ideal for any procedure.

Clean Environment

Touchless sensor facilitates hands-free activation and composite safe mode activation for minimizing the risk of cross-contamination of the light head surfaces.



Positioning Flexibility

A three-axis light head rotation provides operators with the flexibility to direct illumination precisely where it is needed within the patient's oral cavity.

Easy on the Eyes

Stepless intensity control adjusts oral cavity illumination to fit ambient lighting conditions within the operatory. The rectangular light pattern is its brightest in the middle, gradually feathering outward to minimize eye fatigue.



LED Effectiveness

Direct Illumination vs reflected light efficiency, low power consumption and minimized heat generation makes Bel-Halo the optimal choice for any operatory.

Shadowless Illumination

Shadowless illumination technology allows for uninterrupted lighting to the patient oral cavity, even with a 50% obstruction between the light head and the patient.

Efficient Options

Direct LED illumination maximizes efficiency and does not require a cooling fan. Special mirror option sits in the middle of the light, providing dental staff with a means of communicating oral cavity conditions to patients.

Mounting Options

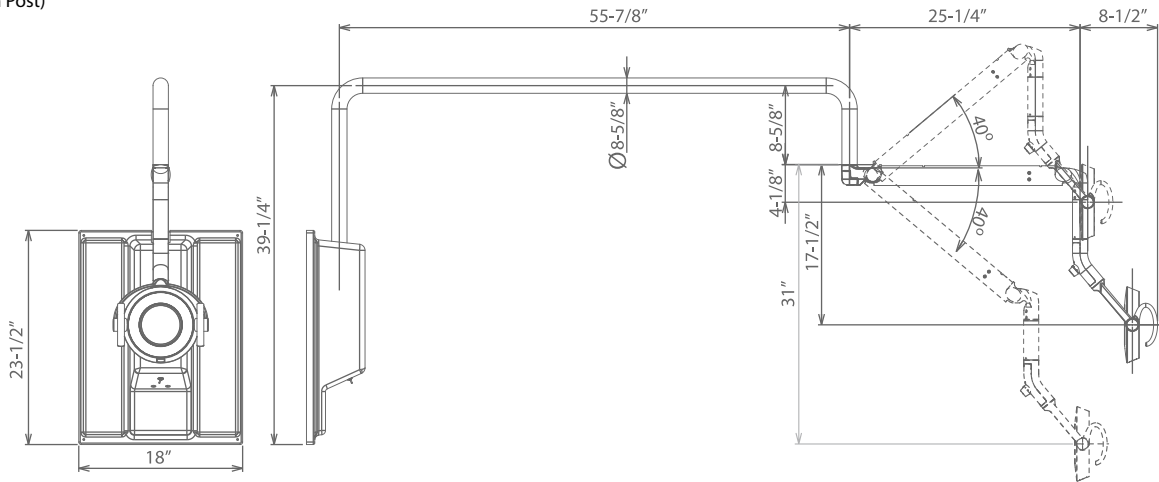
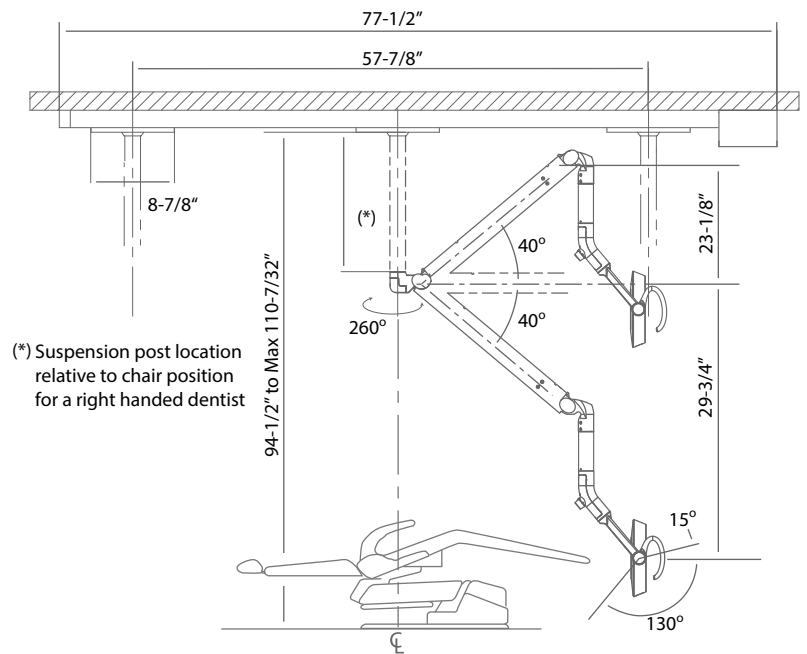
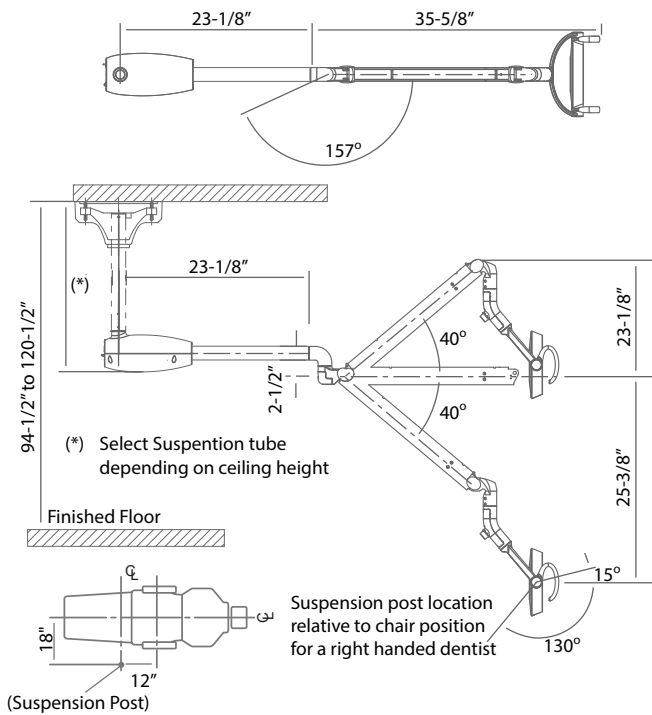
Configurations include ceiling mount, track mount, wall mount, post mount, unit mount, swing mount and cabinet mount.

AL902 Ceiling Mount Light
(for operatories with 8 to 10 ft ceilings)

AL901 Post Mount Light
(post not included)

AL905 Track Mount Light
(for operatories with 8 to 10 ft ceilings)

Unit mounted on curved post for
Evogee or Quolis®



SPECIFICATIONS

Rating:	120V / 60 Hz 0.43A
Intensity:	370 to 2970 FTC (Stepless) 510 FTC at composite safe mode
Color Temperature:	5000° Kelvin at any intensity
Color Rendering Index:	More than 90
Focal Distance:	25-5/8" (650 mm)
Light Pattern:	3-1/8" x 5-7/8" (80 mm x 150 mm)
Bulb Type:	High Rendering LED
Light On/Off:	Touchless sensor
Composite Safe Mode:	Touchless sensor
Intensity Adjustment:	Stepless rotating knob
Manual Override:	Toggle switch for manual /sensor mode
Head Positioning:	Rotation of head at three axes

Belmont Equipment
101 Belmont Drive
Somerset, NJ 08873
(800) 223-1192
www.belmontequip.com

Takara Company Canada Ltd.
2076 South Sheridan Way
Mississauga, ON
L5J 2M4, Canada
(800) 268-5351
dental.takarabelmont.ca

Belmont
Delivering Value in Quality