

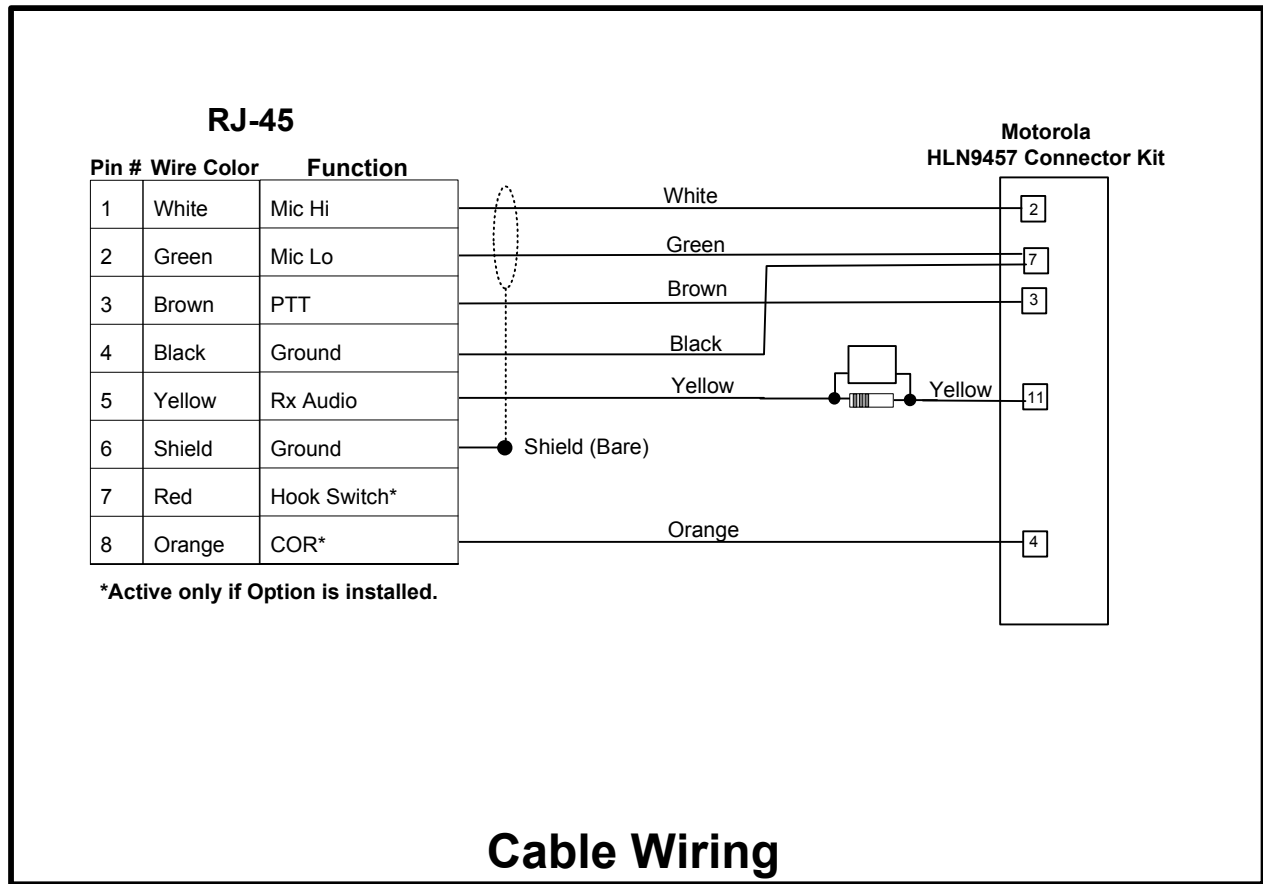
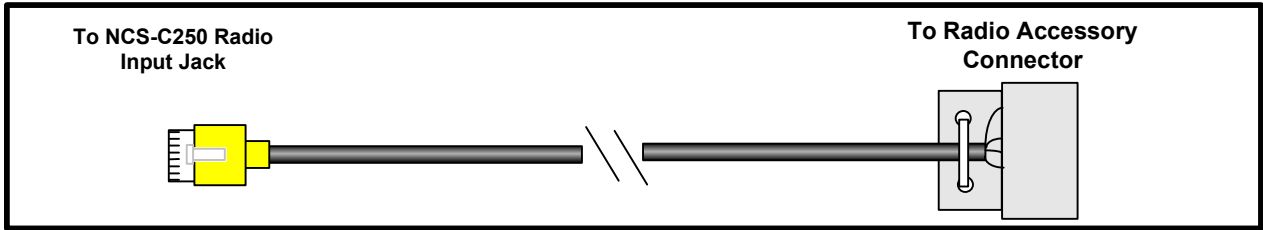
# Radio Interface Cable

For NCS-C250 Mobile Multi-Switcher

NCS Model Number  
**NCS-250-MZA-XX**

**Compatible Radios:**

**PM1200**



**Note:**

The following modification to the radio is necessary in order to provide a COR signal connection on Pin 4 of the 16 pin Accessory Connector.

1. Locate connector J2002 on the main board and remove the wire and connector from Pin #3.
2. Solder this wire to the base of Q2020.