



collcomm inc

Affordable Audio Management Solutions

PRODUCT CATALOG

MARCH 2015



NCS-C150

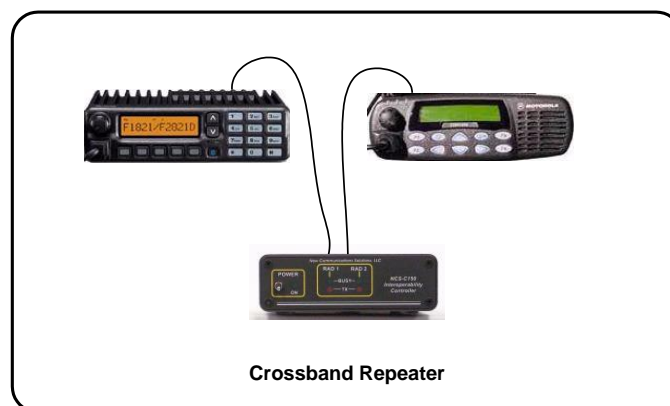
Two Radio Interop Switch



Features

- ⊗ Repeater for two radios
- ⊗ Works with Trunked (with Optional NCS-C411 Audio Delay Module) or Conventional radio systems
- ⊗ Digital, Analog radio compatible
- ⊗ COR or VOX operation independently configurable for each radio
- ⊗ Field configurable for initial setup
- ⊗ Output provided to record all audio
- ⊗ Intuitive Control Panel

The NCS-C150 is a two (2) radio repeater for cross band or in-band operation. (In-band operation requires the same RF proximity and Antenna considerations as any other in-band repeater). This flexible unit works with conventional, trunked and P25 radio systems. Rapid deployment, simple configuration, easy operation and no training required make this an ideal solution for occasional deployment in mutual aid situations as well as day-to-day interoperability operations. The unit contains an automatic gain control circuit so setting of each radio's receive audio is not required. Either radio can use COR of either polarity or VOX for the Busy signal. Interface cables are available for nearly any radio including PTT phones. The NCS-C150 has a small form factor and operates from 12-14VDC for use in any vehicle or fixed location.



Typical Application

NCS-C150

Two Radio Interop Switch

General Specifications																	
Dimensions	1.2"H x 4.06"W x 4.72"D 3.1cm x 10.3cm x 12.0cm																
Weight	0.5 lb. (0.91kg)																
Temp Range	-20°C to + 65°C																
Power Requirements	9 to 16 VDC @ 25mA max. Nominal 12VDC @ 18mA																
	9VDC Battery:																
	<table border="1"> <thead> <tr> <th>Type</th> <th>Total Capacity</th> <th>Estimated Max Runtime Standby</th> <th>Estimated Max Runtime 50% Duty Cycle</th> </tr> </thead> <tbody> <tr> <td>Carbon-Zinc</td> <td>400 mAh</td> <td>20 hours</td> <td>10 hours</td> </tr> <tr> <td>Alkaline</td> <td>565 mAh</td> <td>28 hours</td> <td>14 hours</td> </tr> <tr> <td>Lithium</td> <td>1200 mAh</td> <td>60 hours</td> <td>30 hours</td> </tr> </tbody> </table>	Type	Total Capacity	Estimated Max Runtime Standby	Estimated Max Runtime 50% Duty Cycle	Carbon-Zinc	400 mAh	20 hours	10 hours	Alkaline	565 mAh	28 hours	14 hours	Lithium	1200 mAh	60 hours	30 hours
	Type	Total Capacity	Estimated Max Runtime Standby	Estimated Max Runtime 50% Duty Cycle													
	Carbon-Zinc	400 mAh	20 hours	10 hours													
Alkaline	565 mAh	28 hours	14 hours														
Lithium	1200 mAh	60 hours	30 hours														
Front Panel																	
Power On/Off	Toggle Switch with Green LED Indicator																
Indicators	Green LED "Busy" Indicator and Red LED "Transmit" Indicator for each Radio																
Rear Panel																	
Radio IF Connectors RAD1, RAD2	RJ-45 Modular Jack																
AUX	RJ-45 Modular Jack																
DC Power	Four inch pigtail terminated in an Anderson PowerPole PP-15 connector.																
Signal Levels																	
COR from Radio	COR + → Active High COR - → Active Low Low = < 1.0VDC; High >2.0VDC																
PTT to Radio	Active Low, <.5 Ohm @ 1A, Max Rating 1.5A, 100V																
TX Disable RAD1, RAD2	Active Low: <1.0VDC, Max Rating 20VDC																
TX Audio	Adjustable, 0 → 2.5Vpp																
RX Audio	Speaker or Line Out from Radio, 1mVpp → 5Vpp																

Accessory Kit

Item #	Description	QTY
1	10' DC Power Cable	1
2	Power Cable Clamp	1
3	Extra Housing Screws	4
4	Mounting Feet	4
5	Mounting Bracket (x2) Kit	1

NCS-C151

Two Radio Interop Switch With Audio & PTT Delay



Features

- Ⓞ Repeater for two radios with Audio & PTT Delay for 1 trunking radio (Optional NCS-C411 Audio Delay Module required for second trunked radio)
- Ⓞ User selectable Audio & PTT Delay
- Ⓞ Works with Trunked or Conventional radio systems
- Ⓞ Digital, Analog radio compatible
- Ⓞ COR or VOX operation independently configurable for each radio
- Ⓞ Field configurable for initial setup
- Ⓞ Output provided to record all audio
- Ⓞ Intuitive Control Panel

The NCS-C151 is a two (2) radio repeater for cross band or in-band operation. (In-band operation requires the same RF proximity and Antenna considerations as any other in-band repeater). This flexible unit works with conventional, trunked and P25 radio systems. Rapid deployment, simple configuration, easy operation and minimal training required make this an ideal solution for occasional deployment in mutual aid situations as well as day-to-day interoperability operations. The unit contains an automatic gain control circuit so setting of each radio's receive audio is not required. Either radio can use COR of either polarity or VOX for the Busy signal. Interface cables are available for nearly any radio including PTT phones. The NCS-C151 has a small form factor and operates from 12-14VDC for use in any vehicle or fixed location.

The built-in delay circuit delays the transmitted audio and PTT release while the trunking system acquires a clear channel. This allows users in the field on conventional radios to transmit immediately after pressing the PTT without dropping syllables or words at the beginning of the transmission. Users in the field on trunking radios of course must wait for go ahead tones before transmitting.

Setup is simple and requires selecting the proper acquisition delay time for your trunking system. Available delay times are 0 ms, 50 ms, 100 ms, 200 ms, 400 ms, 800 ms, 1600 ms and 3200 ms. These values are switch selectable on the front of the unit.

Mounting brackets are provided that accommodate mounting to a surface above or below the module. Radio Interface Cables are sold separately.

NCS-C151

Two Radio Interop Switch With Audio & PTT Delay

General Specifications (Preliminary)																	
Dimensions	2.09"H x 4.06"W x 4.72"D 5.3cm x 10.3cm x 12.0cm																
Weight	1.0 lb. (0.45kg)																
Temp Range	-20°C to + 65°C																
Power Requirements	9 to 16 VDC @ TBD mA max. Nominal 12VDC @ TBD mA																
	9VDC Battery:																
	<table border="1"> <thead> <tr> <th>Type</th> <th>Total Capacity</th> <th>Estimated Max Runtime Standby</th> <th>Estimated Max Runtime 50% Duty Cycle</th> </tr> </thead> <tbody> <tr> <td>Carbon-Zinc</td> <td>400 mAh</td> <td>TBD hours</td> <td>TBD hours</td> </tr> <tr> <td>Alkaline</td> <td>565 mAh</td> <td>TBD hours</td> <td>TBD hours</td> </tr> <tr> <td>Lithium</td> <td>1200 mAh</td> <td>TBD hours</td> <td>TBD hours</td> </tr> </tbody> </table>	Type	Total Capacity	Estimated Max Runtime Standby	Estimated Max Runtime 50% Duty Cycle	Carbon-Zinc	400 mAh	TBD hours	TBD hours	Alkaline	565 mAh	TBD hours	TBD hours	Lithium	1200 mAh	TBD hours	TBD hours
	Type	Total Capacity	Estimated Max Runtime Standby	Estimated Max Runtime 50% Duty Cycle													
	Carbon-Zinc	400 mAh	TBD hours	TBD hours													
Alkaline	565 mAh	TBD hours	TBD hours														
Lithium	1200 mAh	TBD hours	TBD hours														
Front Panel																	
Power On/Off	Toggle Switch with Green LED Indicator plus Green LED "Power On" for Delay Circuit																
Indicators	Green LED "Busy" Indicator and Red LED "Transmit" Indicator for each Radio																
Delay Set	Adjustable pot for fixed interval delay settings from 0 ms to 3200 ms																
Rear Panel																	
Radio IF Connectors RAD1, RAD2	RJ-45 Modular Jack																
AUX	RJ-45 Modular Jack																
DC Power	AMP/Tyco 2 Cond, Rt Angle																
Signal Levels																	
COR from Radio	COR + → Active High COR - → Active Low Low = < 1.0VDC; High >2.0VDC																
PTT to Radio	Active Low, <.5 Ohm @ 1A, Max Rating 1.5A, 100V																
TX Disable RAD1, RAD2	Active Low: <1.0VDC, Max Rating 20VDC																
TX Audio	Adjustable, 0 → 2.5Vpp																
RX Audio	Speaker or Line Out from Radio, 1mVpp → 5Vpp																

Accessory Kit

Item #	Description	QTY
1	10' DC Power Cable	1
2	Extra Housing Screws	4
3	Mounting Feet	4
4	Mounting Bracket (x2) Kit	1

NCS-C200

Mini Mobile Multi- Switcher

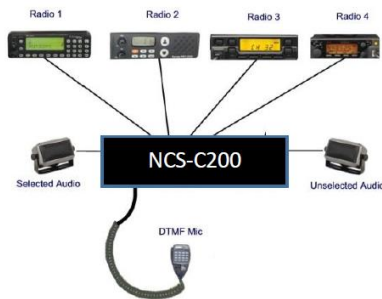


Features

- ⊗ Compact Dispatch Console with Select/Unselect Audio Control
- ⊗ Front panel controlled by DTMF tones
- ⊗ Separate Repeat Function can link up to 4 radios
- ⊗ Works with Trunked or Conventional, Digital or Analog radio systems
- ⊗ COR or VOX operation configurable for each radio
- ⊗ Multi-Cast enable/disable front panel switch
- ⊗ DTMF Microphone included
- ⊗ Separate Mute buttons for Select/Unselect audio
- ⊗ Separate Volume Controls for Select/Unselect audio

The NCS-C200 Mini Mobile Multi-Switcher is an interoperable solution best suited for First Responders that utilize multiple radios such as police, fire and EMS personnel. The unit connects four radios to one microphone and two speakers. Specific features includes cross-band repeating of up to 4 radios (COR or VOX configurable), Hook-Switch (Off Hook Signal), Multi-Cast (Simulcast), Select/Unselect audio control and muting.

The NCS-C200 is extremely compact (~ 1/3 the size of its sister product, the NCS-C250E) to accommodate small space requirements such as vehicle consoles. The front panel indicators are controlled by DTMF tones emanating from the microphone included with the unit. The state of each indicator can be changed with a simple one button push of the DTMF Microphone. The Multi-Cast feature, optional on the NCS-C250E, is standard on the NCS-C200. It can be enabled and disabled by pressing a switch on the front panel while simultaneously pressing the microphone's PTT.



Typical Application



DTMF Mic Included

NCS-C200

Mini Mobile Multi- Switcher

General Specifications (Preliminary)

Dimensions (excluding Vol Controls): 1.2" H x 4.1" W x 6.3" D (3.0 cm x 10.4 cm x 16.0 cm)

Weight: 0.8 lbs (0.4 kg)

Temperature Range: 0° to +50°C

Power Requirements: + 12 to +15 VDC @ .25 A typical

Memory Protection: Radio Selection Switches preserved in non-volatile memory

Speaker Audio Output Power:

Front Panel Connections

MIC Connector: RJ-12

Front Panel Controls

Power: Toggle Switch with Green LED Indicator

Multi-Cast: Momentary Switch with Green LED Indicator

Selected Audio Volume: Volume Control

Unselected Audio Volume: Volume Control

Front Panel Indicators

Radio (1-4): Green LED Indicator for Busy and Red LED Indicator for Selected (SEL) Audio

Repeater: Red LED Indicator for RPT

Selected Audio Mute: Yellow LED Indicator

Automatic Audio Mute: Yellow LED Indicator

Unselect Audio Mute: Yellow LED Indicator

Rear Panel Connections

Radio Interface Connectors (1-4): RJ-45

Speakers: Two 3.5mm jacks (SEL & UNSEL)

DC Power: AMP/Tyco 2 Cond, Rt Angle

Accessory Kit (supplied with unit)

DTMF Microphone: NCS-E219A

Mic Hang-up Clip: P/N TBD

Mounting Bracket Kit: P/N TBD

COR/VOX Jumpers: Qty 10 shunts

Power cable: 10 feet with flying leads

Rubber Feet: Qty 4 for desktop use

NCS-C250E

Mobile Multi- Switcher

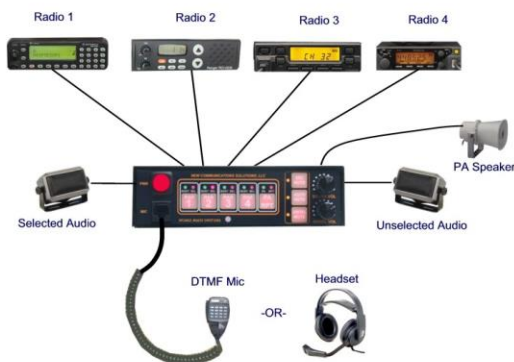


Features

- ⊗ Mini Dispatch Console with Select/Unselect Audio Control
- ⊗ Separate Repeat Function can link up to 4 radios
- ⊗ Works with Trunked or Conventional, Digital or Analog radio systems
- ⊗ COR or VOX operation configurable for each radio
- ⊗ Two universal Microphone ports
- ⊗ Output jack provided to route audio to external PA
- ⊗ Separate Mute buttons for Select/Unselect audio
- ⊗ Separate Volume Controls for Select/Unselect audio
- ⊗ Intuitive Control Panel

The NCS-C250E Mobile Multi-Switcher is an interoperable solution best suited for First Responders that utilize multiple radios such as police, fire and EMS personnel. However, many customers have purchased the unit for dispatch purposes. The unit connects four radios to one microphone and two speakers. Specific features such as cross-band repeating of up to 4 radios (COR or VOX configurable), Hook-Switch (Off Hook Signal), Select/Unselect audio control and muting, and PA output make the unit more than a “microphone switch.”

The NCS-C250E can be configured in systems to provide sharing of radios between multiple units, thereby reducing the number of radios required and resulting in a reduction of overall system cost. Alternatively, the unit may be combined with an NCS-C251E Expansion Unit for control of up to eight radios. A variety of options are available to enhance the functionality of the NCS-C250E. The unit has been configured to accommodate unique requirements.



Typical Application

OPTIONS

Multi-Cast (Simulcast):

This option provides the ability to broadcast on multiple radios simultaneously. This feature may be enabled or disabled by the user.

Sidetone:

This option mixes transmit (microphone) audio at a suppressed level with the Selected radio's receive audio to provide aural feedback when using a headset. This feature can be enabled or disabled by the operator.

NCS-C250E

Mobile Multi- Switcher

General Specifications

Dimensions: 1.9" H x 6.55" W x 7.22" D (4.6 cm x 16.3 cm x 18.0 cm)

Weight: 2.0 lbs (0.91 kg)

Temperature Range: 0° to +50°C

Power Requirements: + 12 to +15 VDC @ .25 A typical (2.0 A PA Mode)

Memory Protection: Radio Selection Switches preserved in non-volatile memory

Speaker Audio Output Power: 4 W

PA Audio Output Power: 16 W

Front Panel Connections

MIC Connector: RJ-45

Front Panel Controls

Power: On/Off Pushbutton switch with Red LED Indicator

Radio Select (1-4): Momentary Pushbutton Switch with Green LED Indicator for Busy and Red LED Indicator for Selected (SEL) Audio

PA / Repeater Select: Momentary Pushbutton Switch with Green LED Indicator for PA and Red LED Indicator for RPT

Selected Audio Mute: Momentary Pushbutton Switch with Yellow LED Indicator

Automatic Audio Mute: Momentary Pushbutton Switch with Yellow LED Indicator

Unselect Audio Mute: Momentary Pushbutton Switch with Yellow LED Indicator

Selected Audio Volume: Volume Control (controls PA volume when in PA mode)

Unselected Audio Volume: Volume Control

Rear Panel Connections

Radio Interface Connectors (1-4): RJ-45

Expansion Port: 13 pin Female DIN

Mic Connector: RJ-45

External Mute: RCA Phono Jack

Speakers: AMP/Tyco MATE-N-LOK 6pin receptacle connector

DC Power: 6 inch pigtail terminated in an Anderson Power Pole PP-15 connector connected to internal auto reset fuse

Accessory Kit (supplied with unit)

Mounting Bracket: NCS-MTG501

Mounting Bracket Hardware: Qty 2 Knobs with 10-32 Threaded Studs

Microphone Circuit Jumpers: Qty 10 shunts

Speaker Mating Connector: AMP/Tyco MATE-N-LOK 6pin plug connector

Speaker Mating Connector Pins: Qty 10 pins for 18-22 AWG wire; Qty 10 pins for 22-26 AWG wire

Power cable: 10 feet of 18 AWG wire terminated with mating power pole connector with clamp

Rubber Feet: Qty 4 for desktop use

NCS-C251E

Expansion Unit



Features

- ⊗ Expands capability of NCS-C250E from 4 radios to 8 radios
- ⊗ Automatic sync process with C250E
- ⊗ Works with Trunked or Conventional, Digital or Analog radio systems
- ⊗ COR or VOX operation configurable for each radio
- ⊗ Intuitive Control Panel

The NCS-C251E is designed to operate with the NCS-C250E acting as the primary unit of control. It provides connections for 4 additional radios. The combined units will support 8 radios with the same features as a single NCS-C250E. All options available on the NCS-C250E are also available in this configuration to enhance operation. Specific features such as the ability to configure each radio port for COR or VOX and Hook-Switch (Off Hook Signal) are included as standard features in the basic C251E. An interconnect cable is provided with the Expansion Unit to connect with the NCS-C205E.

The NCS-C250 Mobile Multi-Switcher is an interoperable solution best suited for First Responders that utilize multiple radios such as police, fire and EMS personnel. However, many customers have purchased the unit for dispatch purposes. The unit in combination with the C251E connects eight radios to one microphone and two speakers. Specific features such as cross-band repeating of up to 8 radios (COR or VOX configurable), Hook-Switch (Off Hook Signal), Select/Unselect audio control and muting, and PA output make the unit more than a “microphone switch.”

The NCS-C250E & C251E can be configured in systems to provide sharing of radios between multiple units, thereby reducing the number of radios required and resulting in a reduction of overall system cost.



NCS-C250E

OPTIONS

Multi-Cast (Simulcast):

This option provides the ability to broadcast on multiple radios simultaneously. This feature may be enabled or disabled by the user.

Sidetone:

This option mixes transmit (microphone) audio at a suppressed level with the Selected radio's receive audio to provide aural feedback when using a headset. This feature can be enabled or disabled by the operator.

NCS-C251E

Expansion Unit



NCS-C250E & NCS-C251E Combination

General Specifications

Dimensions: 1.9" H x 6.55" W x 7.22" D (4.6 cm x 16.3 cm x 18.0 cm)

Weight: 2.0 lbs (0.91 kg)

Temperature Range: 0° to +50°C

Power Requirements: + 12 to +15 VDC @ .25 A typical

Memory Protection: Radio Selection Switches preserved in non-volatile memory

Front Panel Controls

Power: On/Off Pushbutton switch with Red LED Indicator

Radio Select (5-8): Momentary Pushbutton Switch with Green LED Indicator for Busy and Red LED Indicator for Selected (SEL) Audio

Sync Indicator: Yellow LED Indicator

Rear Panel Connections

Radio Interface Connectors (5-8): RJ-45

Expansion Port: 13 pin Female DIN

DC Power: 6 inch pigtail terminated in an Anderson Power Pole PP-15 connector connected to internal auto reset fuse

Accessory Kit (supplied with unit)

Mounting Bracket: NCS-MTG501

Mounting Bracket Hardware: Qty 2 Knobs with 10-32 Threaded Studs

Power cable: 10 feet of 18 AWG wire terminated with mating power pole connector with clamp

Rubber Feet: Qty 4 for desktop use

Expansion Cable: 2 feet (for connecting to NCS-C250E)

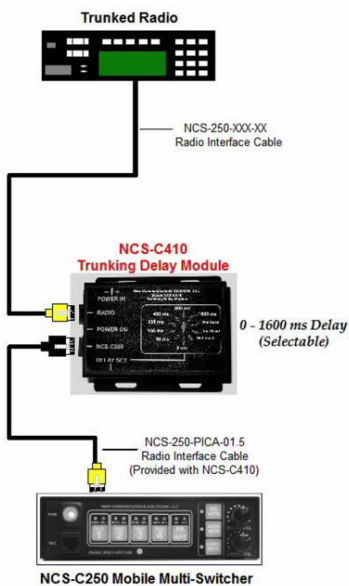
NCS-C411

Audio & PTT Delay Module



Features

- ⊙ Resolves problem with cross patching conventional radio system to trunked radio systems
- ⊙ Interfaces with existing NCS radio cables
- ⊙ User selectable delay
- ⊙ Easy set-up
- ⊙ No software required



Typical Application

The NCS-C411 Audio & PTT Delay Module is a "must have" when connecting trunking system radios to the NCS-C150, NCS-C200, NCS-C250 or NCS-C251. When installed between the NCS switcher and the trunking radio, the NCS-C411 delays the transmitted audio and PTT release while the trunking system acquires a clear channel. This allows the operator to transmit immediately after pressing the PTT without dropping syllables or words at the beginning of the transmission.

The NCS-C411 requires 12 VDC @ 250mA. It may also be used in other applications where Audio & PTT delay is required. The interface cable to the NCS switcher and power cable are provided as well as mounting brackets that accommodate mounting to a surface above or below the module. Radio Interface Cables are sold separately.

Setup is simple and requires selecting the proper acquisition delay time for your trunking system. Available delay times are 0 ms, 50 ms, 100 ms, 200 ms, 400 ms, 800 ms, 1600 ms and 3200 ms. These values are switch selectable on the front of the unit.

General Specifications (Preliminary)

Dimensions (approximate): 1.20" H x 4.06": W x 4.72" D
Weight: 0.6 lb. (0.3kg)
Temperature Range: 0° to +50°C
Power Requirements: + 12 to +15 VDC @ 250mA typical

NCS-C412

DUAL Audio & PTT Delay Module



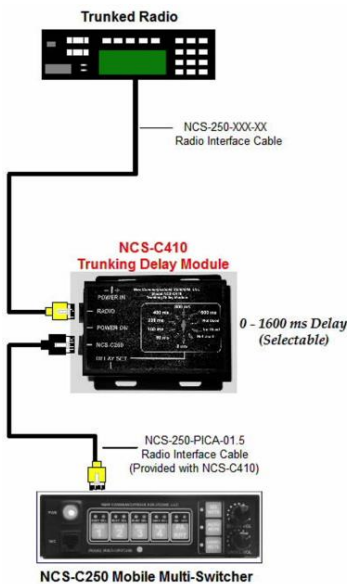
Features

- ⊙ Resolves problem with cross patching conventional radio system to two trunked radio systems
- ⊙ Interfaces with existing NCS radio cables
- ⊙ User selectable delay
- ⊙ Easy set-up
- ⊙ No software required

The NCS-C412 Dual Audio & PTT Delay Module is a "must have" when connecting multiple trunking system radios to the NCS-C150, NCS-C200, NCS-C250 or NCS-C251. When installed between the NCS switcher and the trunking radios, the NCS-C412 delays the transmitted audio and PTT release for each trunking system while the system acquires a clear channel. This allows the operator to transmit immediately after pressing the PTT without dropping syllables or words at the beginning of the transmission.

The NCS-C412 requires 12 VDC @ 500mA. It may also be used in other applications where Audio & PTT delay is required. The interface cables to the NCS switcher and power cable are provided as well as mounting brackets that accommodate mounting to a surface above or below the module. Radio Interface Cables are sold separately.

Setup is simple and requires selecting the proper acquisition delay time for each of your trunking systems. Available delay times are 0 ms, 50 ms, 100 ms, 200 ms, 400 ms, 800 ms, 1600 ms and 3200 ms. These values are switch selectable on the front of the unit for each radio.



Typical Application

General Specifications (Preliminary)

Dimensions (approximate): 2.09" H x 4.06": W x 4.72" D

Weight: 1.0 lb. (0.45 kg)

Temperature Range: 0° to +50°C

Power Requirements: + 12 to +15 VDC @ 500mA typical

NCS-C441

Multi-Switcher Combiner



Features

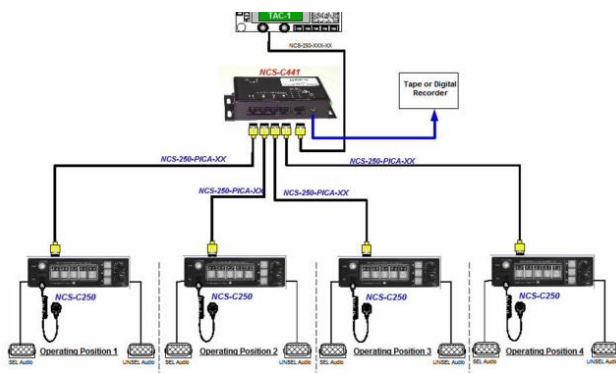
- Ⓞ Used in Parallel Configurations where a radio is shared between multiple operators
- Ⓞ One Radio Input
- Ⓞ Four outputs to connect to NCS-C200 & NCS-C250/C251
- Ⓞ PTT Lock-out
- Ⓞ Audible indication to Locked-Out Operators
- Ⓞ Output to record all transmit and receive audio
- Ⓞ Units can be placed in series to service more than four NCS switchers

The NCS-C441 Multi-Switcher Combiner is used to share a single radio with up to 4 NCS-C200 & NCS-C250/C251s when multiple operating positions require sharing of radios.

A PTT lockout feature is provided to prevent operators at different operating positions from transmitting simultaneously. During operation, all operator consoles get Receive Audio from the radio. Only one operator can transmit on the radio at a time. If one operator is transmitting, any other operator attempting to transmit will be locked out, no microphone audio will be sent to the radio and a beeping will be heard in the switcher's Selected Audio channel. All switchers that are not transmitting will hear the transmit audio as well as the receive audio from the radio.

A PTT Fault circuit is also included. When the system is powered up the unit will check for stuck PTT lines. If a "stuck mic" is detected, the red PTT Fault LED will remain on and an alarm tone will be sent to the switcher with the stuck mic or PTT line.

A Record Output provides transmit and receive audio from the connected radio for logging purposes.



Typical Application

General Specifications

Dimensions (approximate): 1.375" H x 6.125" W x 2.875" D

Weight: 8.0 oz. (0.23 kg)

Temperature Range: 0° to +50°C

Power Requirements: + 12 to +15 VDC @ 50mA typical

Microphones

NCS-E217

Hand/Palm Microphone



The NCS-E217 is an omni-directional hand mic with an RJ45 connector installed and pinned out for the C250. It comes with a metal hangar and clip for Hook Switch operation. The coil cord is about 3 feet.

NCS-E219

DTMF Microphone



The NCS-E219 is a DTMF encoder microphone with an illuminated 16 key alphanumeric keypad with a RJ45 connector installed and pinned out for the C250. Features include an audible sidetone confirmation and automatic muting during tone transmission. The unit has a 3 foot coil cord.

NCS-E411

Desk Microphone



The NCS-E411 is A Kenwood Base Station Mic, model number KMC-9. This unit is desktop base station mic with a 8-pin connector (modified to be compatible with the C250). This base station mic features a transmit button and monitor button with lock.

Headsets - Dual Ear (Stereo)

NCS-E305

Headset – Heil ProSet “ic”



The Heil Sound Pro Set is a lightweight, versatile boom mic/headset designed for comfort, durability, and, above all, performance. The earpieces are full sized, with heavily stuffed cushions for operator comfort during long operating stints. The ear pad covers are removable, for washing, and replacement pads are also available. The Headset requires an adapter cable so as to match the Pro Set to the NCS-C250 mic jack requirements.

NCS-E326

Headset – Heil ProSet Elite “ic”



The Pro Set Elite offers dual side, full ear muffs with high rejection of outside noise, speaker phase reversal, rugged attached microphone boom, flexible to 6' coil cable and washable ear pad covers. The speakers are mounted in acoustically tuned chambers. The exclusive Heil Phase Reversal speaker switch is used to acoustically 'move' the signal from front to back. The two speakers are terminated in a stereo 1/8" male connector. There is a stainless steel band inside the padded top band. By bending that top band you can adjust the pressure on your ears to a comfortable level. The vinyl cushioned ear pads are field replaceable and the cotton covers can be easily removed for washing. The Headset requires an adapter cable so as to match the Pro Set to the NCS-C250 mic jack requirements.

NCS-E336

Headset – Heil Pro 7 “ic”



The Pro 7 offers a feature set that compliments the Heil Sound standard for headset design. Unlike copies of various aviation type headsets, the PRO 7 is not a copy. It brings new technology to the headset industry. The 2" thick gel foam ear pads provide extreme comfort for extended periods of time while exhibiting passive noise reduction rated at -26dB, ideal for use in high ambient noise environments. The ear cup enclosures were tuned to the free air cone resonance of the speaker cone thus providing very low distortion with maximum voice articulation providing the ultimate sound reproduction for communications. The exclusive Heil Phase Reversal system (HPR) allows you to acoustically move the signals forward and creates a spatial widening of the sound field. A speaker balance control allows preferred level between the speakers. The Headset requires an adapter cable so as to match the Pro Set to the NCS-C250 mic jack requirements.

Headsets - Single Ear

NCS-E302

Headset – Single Ear, No PTT



The NCS-E302 is a Kenwood KHS-7 Headset that has been modified to be compatible with the NCS-C250. It is a comfortable over-the-top headset that is single earmuff and boom microphone. It contains a flexible boom with an omni-directional microphone, flexible headband and windscreen (sponge over mic). The speaker is intended for use in areas with moderate background noise in order to provide privacy and noise isolation. The Headset requires an adapter cable so as to match it to the NCS-C250 mic jack requirements.

NCS-E303

Headset – Single Ear with In-Line PTT



The NCS-E303 is a Kenwood KHS-7A Headset that has been modified to be compatible with the NCS-C250. It is a comfortable over-the-top headset that is single earmuff and boom microphone with inline PTT (push-to-talk) button. It contains a flexible boom with an omni-directional microphone, flexible headband and windscreen (sponge over mic). The speaker is intended for use in areas with moderate background noise in order to provide privacy and noise isolation. The Headset requires an adapter cable so as to match it to the NCS-C250 mic jack requirements.

Headset Accessories



NCS-F230
PTT Hand Switch



NCS-F22x
Footswitch



NCS-C003
Headset Interface Box



NCS-J001
Headset Bag

NCS-K250 & K251

Portable Incident Command & Tactical Dispatch System (QuickLinx-M)



The QuickLinx-M is a Portable Incident Command & Tactical Dispatch System configured as a “standard product” or customized to your unique requirements utilizing existing standardized components.

The system is self-contained and easy to set up & operate and comprises an NCS-C250 Mobile Multi-Switcher along with customer supplied mobile radios, radio interface cabling, power supply, microphone, speakers, antenna patch panel and cabling to connect to external AC or DC power sources.

The heart of the QuickLinx-M is the NCS-C250 Mobile Multi-Switcher. The C250 connects four (4) radios to one (1) microphone and two (2) speakers and provides Selected and Unselected audio control. For more than 4 radios the NCS-C251 Expansion Unit is used to provide connectivity for up to eight (8) radios. Walk up ports for portable radios are provided in lieu of using a mobile radio. The unit has a built in crossband repeater with COR or VOX functionality. Other features incorporated in the unit include COR, Hook-Switch, Multi-Cast and Sidetone. The C250 is mounted to a standard 19” rack panel.

A rack mounted AC/DC switching power supply is included. The customer can choose from a 23, 40, 60, 80, or 100 Amp 12V supply.

The system can include any number of Audio & PTT Delay Module to interface with radios operating on a trunked system. Control is provided on a rack panel so the user can easily change the audio delay for each trunked radio.

A variety of rack cases are offered to best fit the environment you will encounter.

Customization to your unique requirements is encouraged.

Features

- Ⓞ Portability – can be easily transported to incident
- Ⓞ Built in dispatch console with Select/Unselect audio control and crossband repeater for interoperable communications and multi-cast (Simulcast) capability
- Ⓞ Designs to support 2 to 8 radios
- Ⓞ 12V Power Supplies from 23 to 100 Amps; connection to external AC & DC
- Ⓞ Optional Audio & PTT Delay Modules for trunking radios
- Ⓞ Variety of cases offered from suitcase style to lightweight or rugged shock mount 19” rack case with or without handle & wheels
- Ⓞ All external power cables included
- Ⓞ Customized to your unique requirements

NCS-K250 & K251

Portable Incident Command & Tactical Dispatch System (QuickLinx-M)

SYSTEM COMPONENTS



NCS-C250

NCS-C250 Mobile Multi-Switcher: The heart of the M series is an NCS-C250 Mobile Multi-Switcher. This "Mini Dispatch Console" connects up to four radios to one microphone and two speakers. The console provides Selected and Unselected audio control and provides a cross-banding function with COR or VOX functionality. For a complete description of the C250 Mobile Multi-Switch, refer to the C250 flyer.

NCS-C251M19 Expansion Unit (for 5 to 8 radio system configurations): When the system contains more than 4 radios, an NCS-C251 Expansion Unit is included and connected to the C250. The C251 connects up to four (4) additional radios and provides the same functionality as the C250.



NCS-C251

Mobile Radios (Customer Supplied): Available configurations support 2 to 8 radios. All radios are customer supplied pre-programmed.

Radio Interface Cables: Cables to connect the NCS-C250 /NCS-C251 with the radios are integrated.

Radio Antennas and Cables: Antennas are the customer's responsibility. Antenna connections are provided on a panel on the rear of the case. The connectors are typically type N Female.

Palm Microphone: A Palm microphone is included.

Headset Connections: Connections are provided on the front panel to connect to an optional headset

Speakers: Two speakers with On/Off switches are included to provide Selected & Unselected Audio.

TX/RX Adjustment: In order to accommodate different transmit and receive audio levels from a variety of radio models, the system provides a means for easy adjustment of both for each radio connected to the C250.

AC/DC Power Supply: The system contains a heavy duty switching power supply with Battery Backup sized to the number and type of radios. The most common power supplies used are 40, 60 and 80 AMP units. Appropriate size supplies can be provided for nearly any combination of 2 to 8 radios.

External Power Cables: The system is supplied with a 50 foot AC extension cable in addition to the AC cable that connects the internal AC/DC power supply to an external AC source and a cable to connect to an external 12V DC source.

Transportable Case: The system is housed in a suitcase style or rack mount case selected by the customer. Some cases have shock mounts for rugged environments. Others are available with rollers and a retractable handle for easy transportation.

Audio & PTT Delay Module(s) (Optional): The system may contain optional Audio & PTT Delay Modules installed between the NCS-C250 or NCS-C251 and any trunked radio. The module provides a user selectable audio and PTT delay of 0, 50, 100, 200, 400, 800, 1600 or 3200 msec.



Palm Mic



Audio & PTT Delay Module

NCS-K341

Portable Incident Command & Tactical Dispatch System (QuickLinx-P)



The QuickLinx-P is a lightweight Portable Incident Command & Tactical Dispatch System designed to connect to four (4) portable radios. The system is self-contained and easy to set up and comprises an NCS-C250 Mobile Multi-Switcher, on board battery supplied power, microphone, speakers with on/off switches, and cabling to connect to external DC and AC power sources. Provisions for charging of portable radios, when the system is operating on external power, are also provided. The system provides easily accessible adjustments for each radio's transmit & receive audio. Radio specific cabling is sold separately.

The heart of the QuickLinx-P is the NCS-C250 Mobile Multi-Switcher. The C250 connects four (4) radios to one (1) microphone and two (2) speakers and provides Selected and Unselected audio control. Walk up ports for portable radios are provided. The unit has a built in cross-band repeater with COR or VOX functionality. Other features incorporated in the unit include COR, Hook-Switch, Multi-Cast and Sidetone. The C250 is mounted to a standard 19" rack panel.

The system can include any number of Audio & PTT Delay Module to interface with radios operating on a trunked system. Control is provided on a rack panel so the user can easily change the audio delay for each trunked radio.

The system is housed in a Pelican/Storm iM2750 case with integrated wheels & handle. A 3RU compartment provides storage for cables & accessories.

Features

- ⊗ Portability – can be easily transported to incident
- ⊗ Built in dispatch console with Select/Unselect audio control and cross-band repeater for interoperable communications and multi-cast (Simulcast) capability
- ⊗ Headset interface jacks (headset sold separately)
- ⊗ Designed to support 4 portable radios
- ⊗ On-board battery supply; connection to external AC & DC
- ⊗ Charging jacks for portable radios
- ⊗ Optional Audio & PTT Delay Modules for trunking radios
- ⊗ Case with handle & wheels
- ⊗ Large Storage compartment
- ⊗ A variety of external power cables included

NCS-K341

Portable Incident Command & Tactical Dispatch System (QuickLinx-P)

SYSTEM COMPONENTS



NCS-C250

NCS-C250 Mobile Multi-Switcher: The heart of the M series is an NCS-C250 Mobile Multi-Switcher. This "Mini Dispatch Console" connects up to four radios to one microphone and two speakers. The console provides Selected and Unselected audio control and provides a cross-banding function with COR or VOX functionality. For a complete description of the C250 Mobile Multi-Switch, refer to the C250 flyer.

Controls, Indicators and Power Connections: The following controls and indicators are provided:

- A. A switch is provided for Power On/Off and selection of Internal or External power sources.
- B. Battery Status indicator
- C. Speakers on/off switch
- D. Lighter jacks for connecting customer supplied radio battery chargers to an external power source.



Palm Mic

Palm Microphone: A Palm microphone is included.

Headset Connections: Connections are provided to connect to an optional headset

Speakers: Two speakers are included to provide Selected & Unselected Audio.

TX/RX Adjustment: In order to accommodate different transmit and receive audio levels from a variety of radio models, the system provides a means for easy adjustment of both for each radio connected to the C250.



Lid Storage Pouch

On Board Power Supply: An on board battery supply to power the NCS-C250 is provided as part of the system. The batteries are stored in four battery holder drawers for easy battery replacement. The supply contains 16 AA Cell Alkaline batteries. One set of spare batteries is included in the system.

External Power Cables: A 115VAC/12VDC supply (NCS-1516) is included in the kit so the user may connect the QuickLinx-P to external AC. The system also contains the following cables to draw power from external 7-18 VDC supplies: One (1) Cable with battery clips to connect to a vehicle battery, One (1) Cable to connect to a cigarette lighter jack, One (1) Cable with flying leads, and One (1) 10 ft. Extension Cable with PowerPole connectors on each end to extend the length of the 3 cables above as well as the NCS-1516.

Transportable Case: The QuickLinx-P is housed in a Pelican/Storm Case, model number iM2750. The iM2750 case is unbreakable, waterproof, dust proof, chemical resistant and corrosion proof and includes integrated wheels and handle for easy transportation. Supplied with the QuickLinx-P is a pouch & compartment for storage of cables & accessories



Audio & PTT Delay Module

Audio & PTT Delay Module(s) (Optional): The system may contain optional Audio & PTT Delay Modules installed between the NCS-C250 and any trunked radio. The module provides a user selectable audio and PTT delay of 0, 50, 100, 200, 400, 800, 1600 or 3200 msec.



A decorative graphic consisting of several overlapping, wavy, horizontal bands of varying shades of gray and white, creating a sense of motion and depth. The bands are most prominent in the lower half of the page, framing the contact information.

Collcomm Inc.
1595 Peachtree Parkway
Suite 204-123
Cumming, Georgia 30041
Phone Toll Free: (888) 883-5788
Phone Direct: (678) 999-3956
Fax 888.858.5586
Email: info@ncsradio.com
www.collcomminc.com