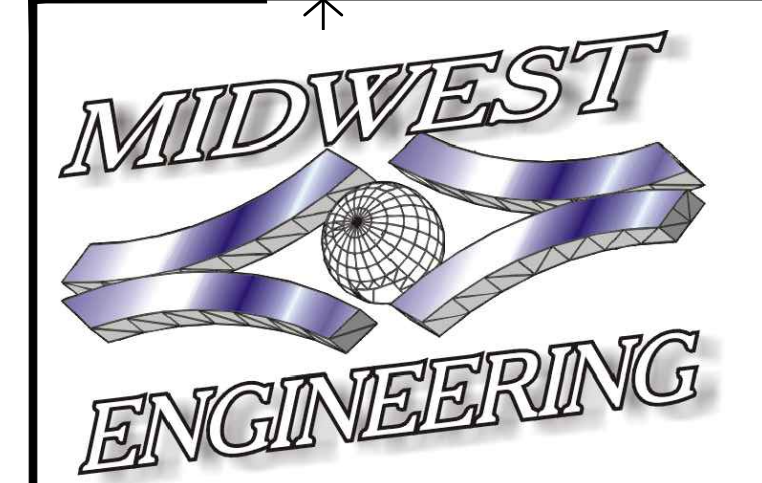




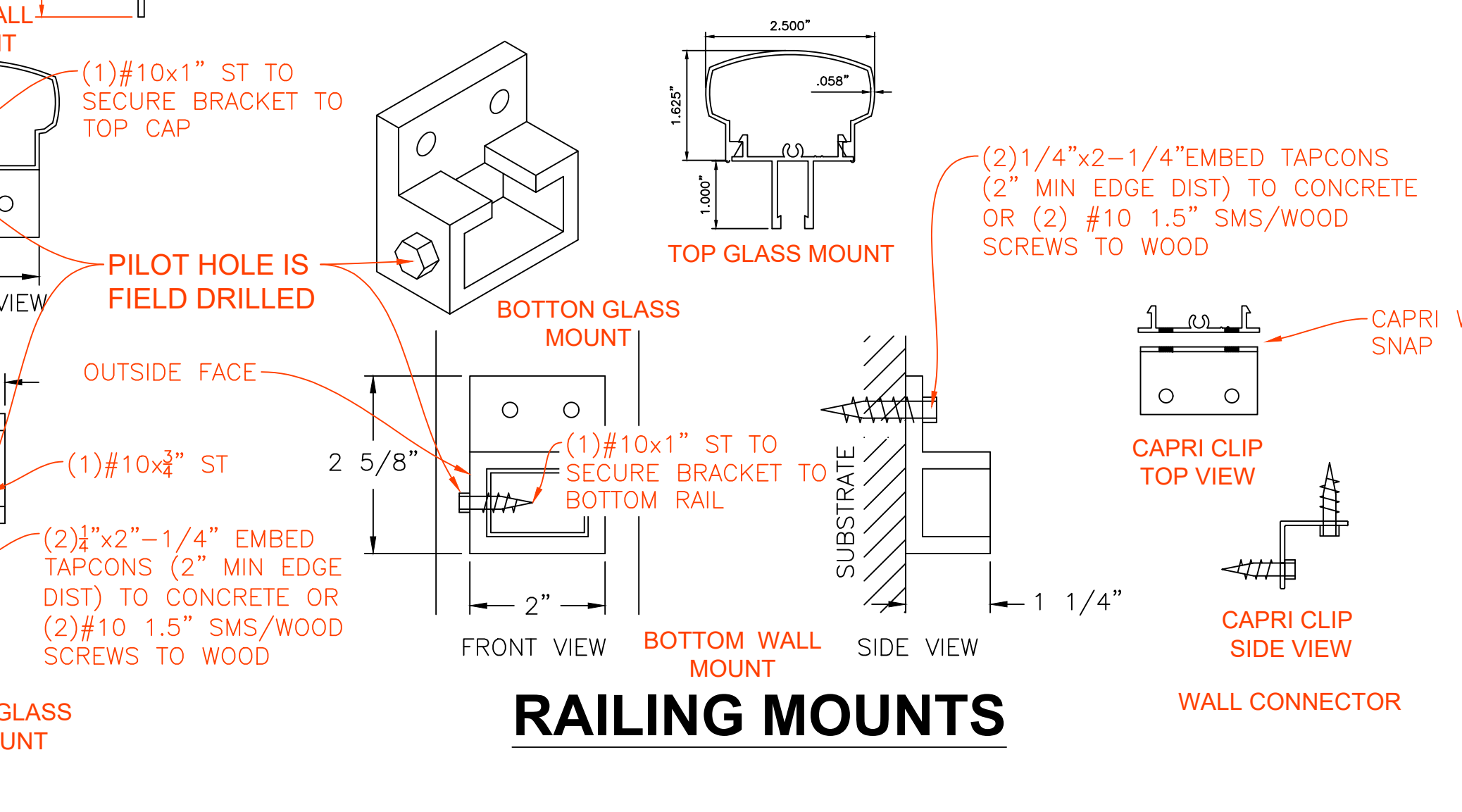
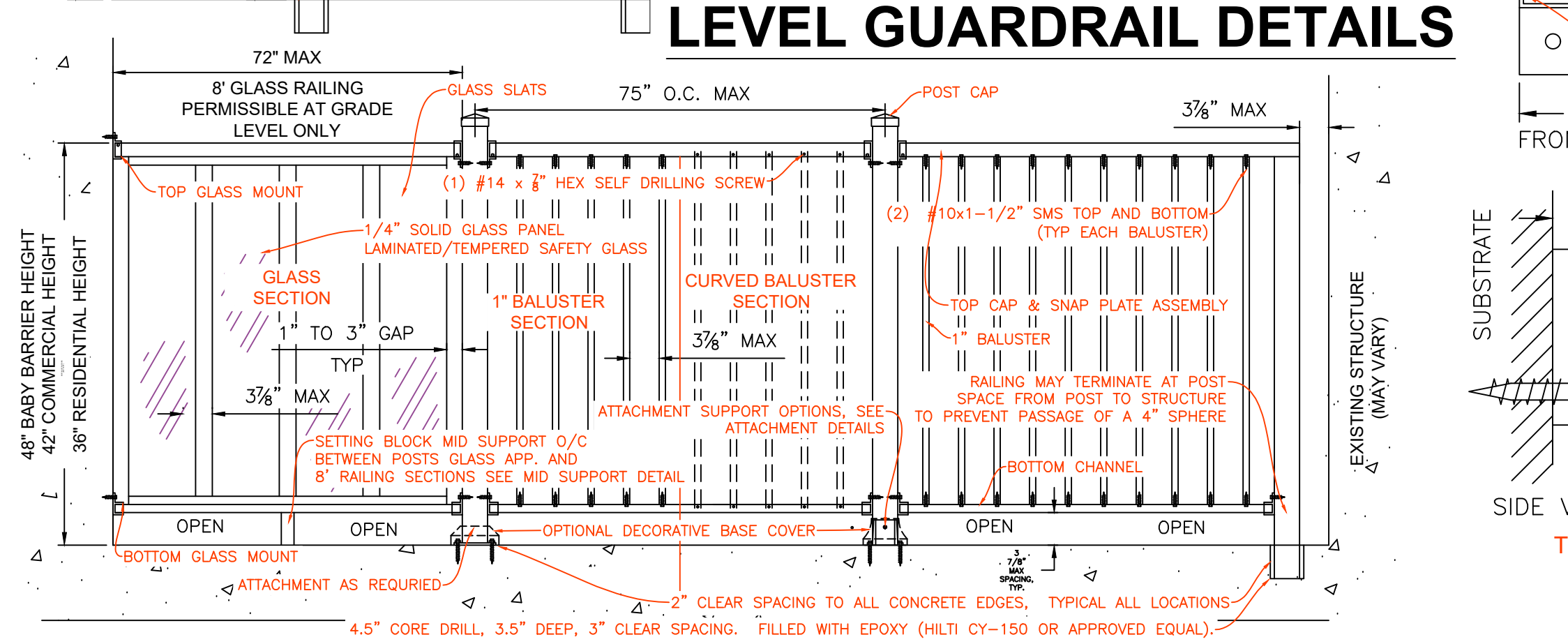
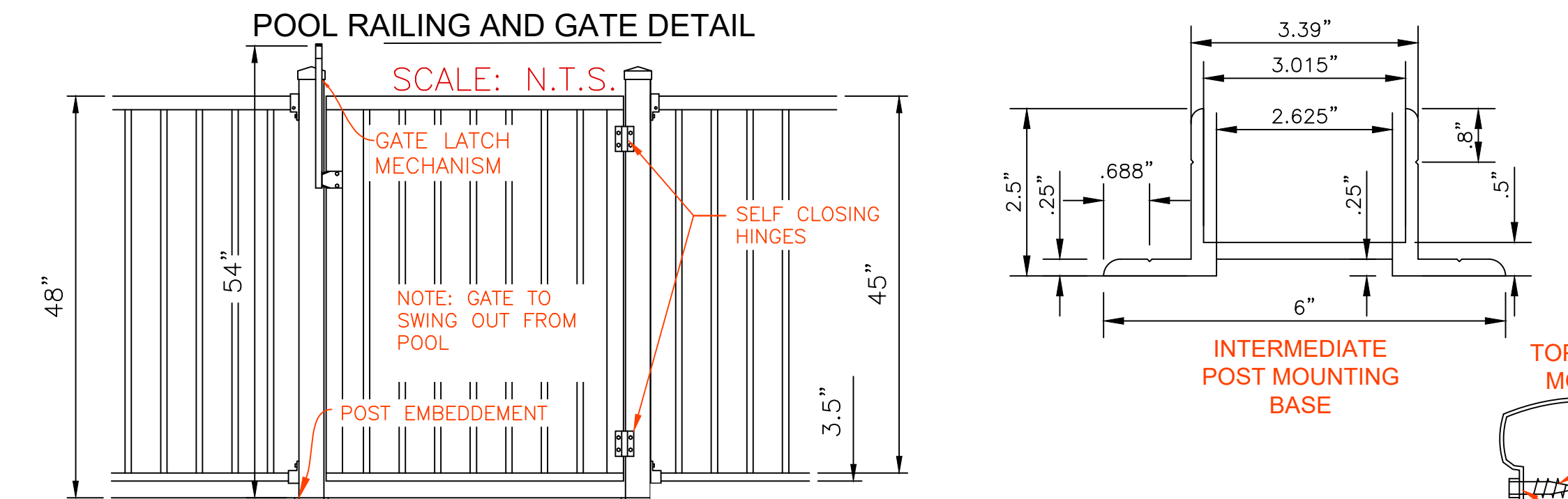
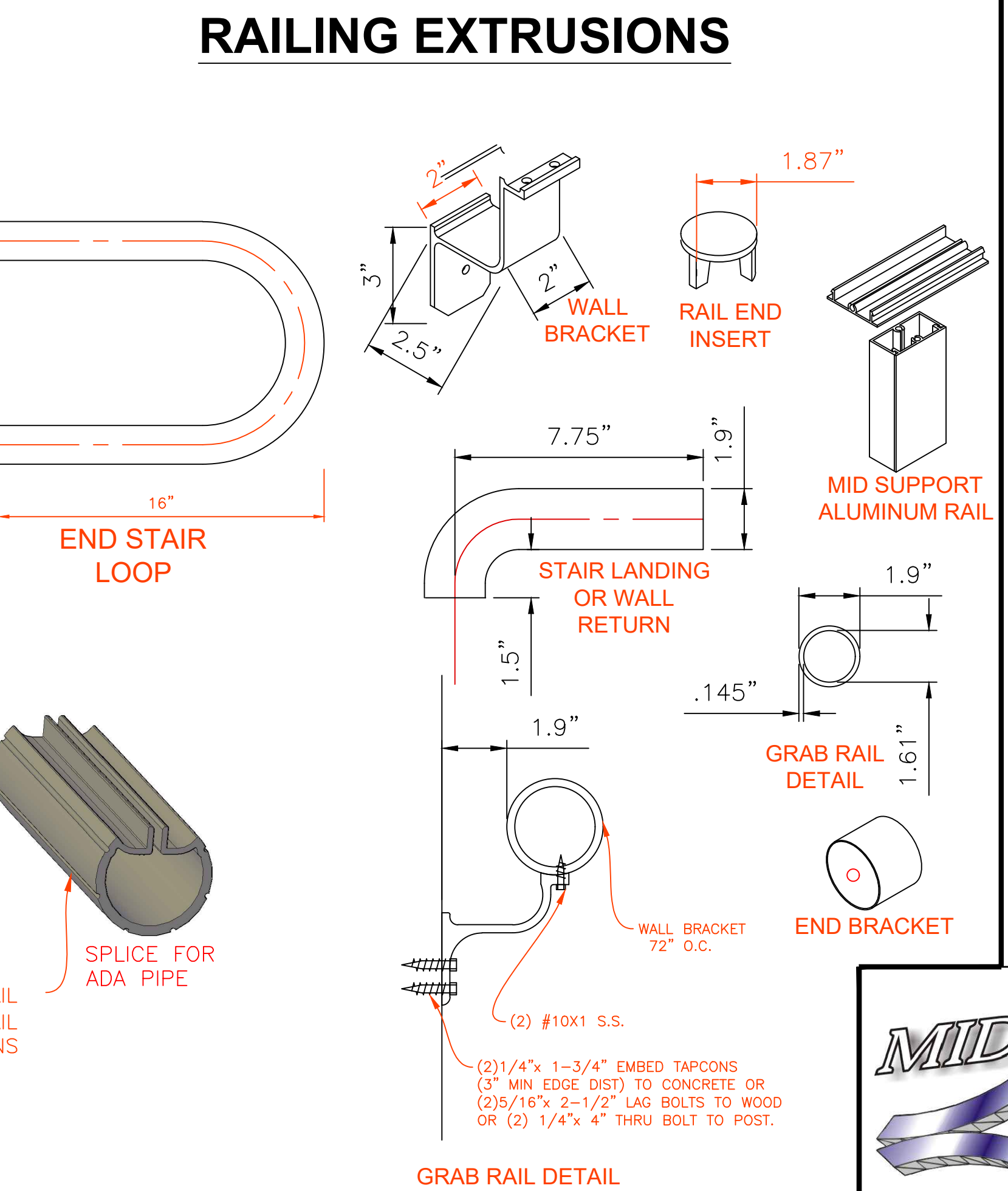
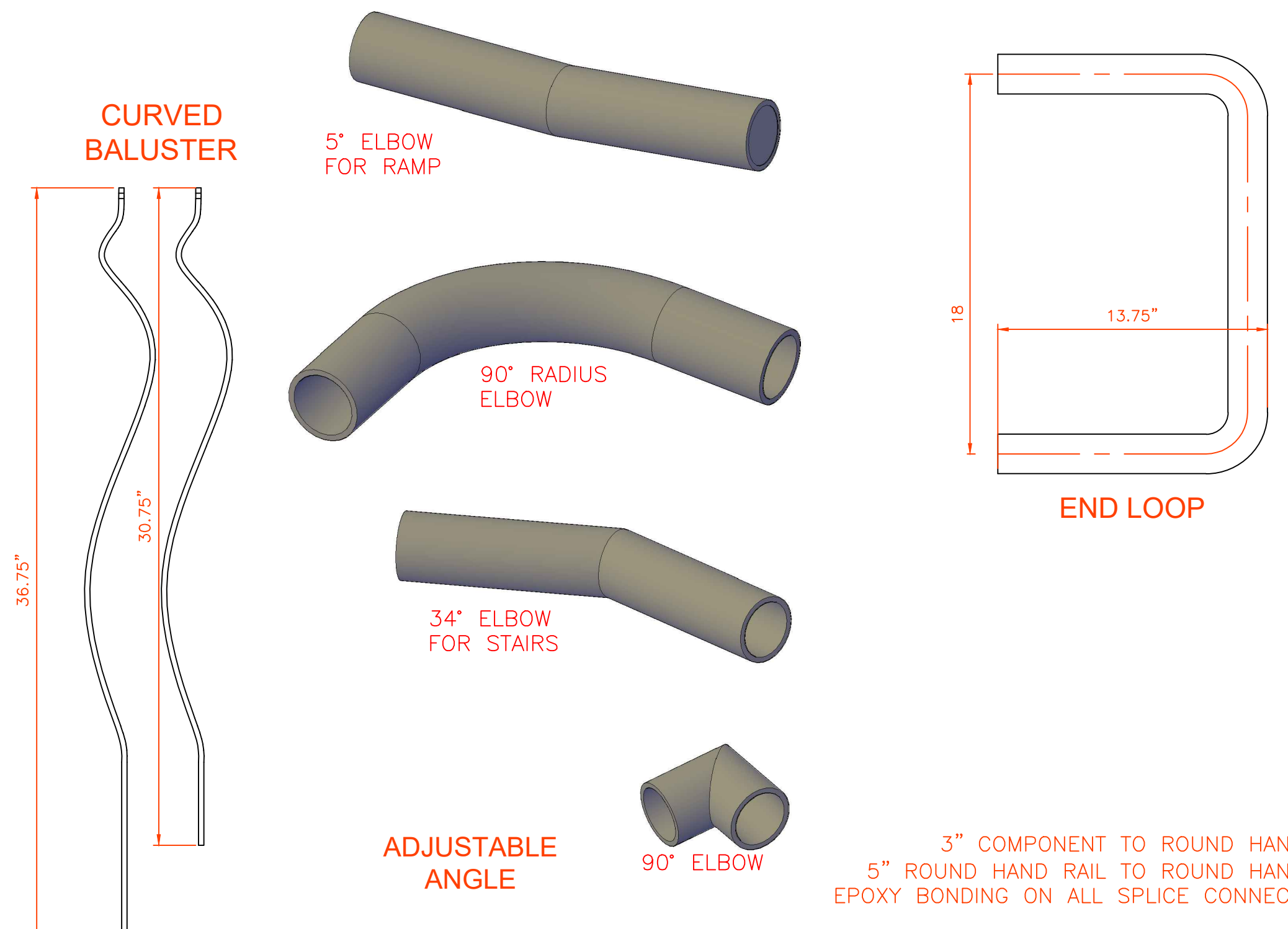
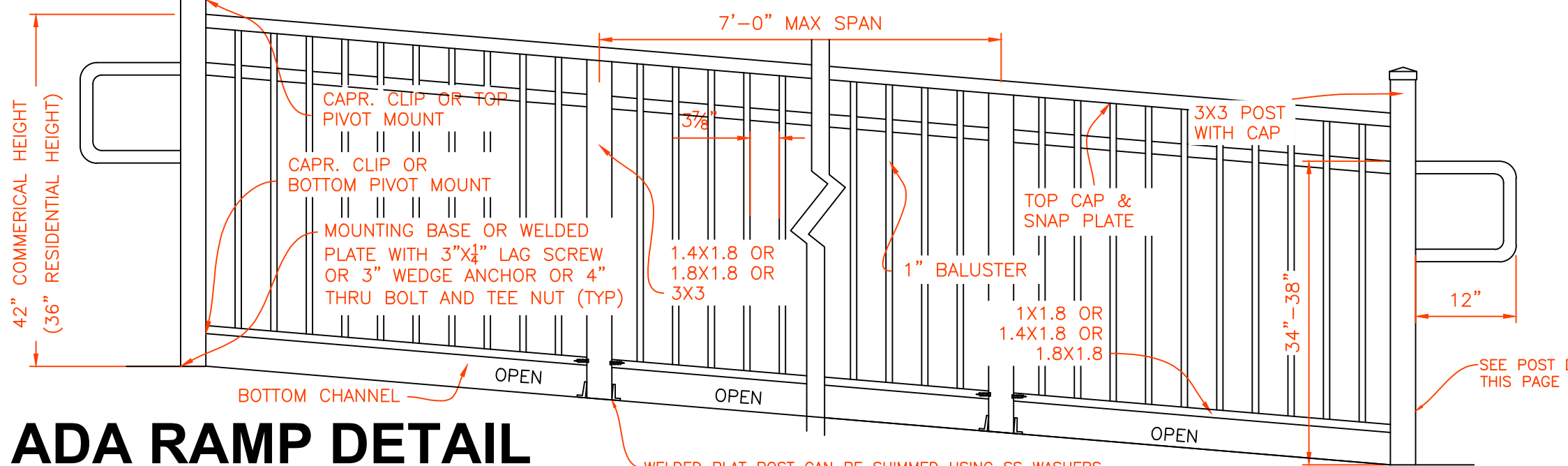
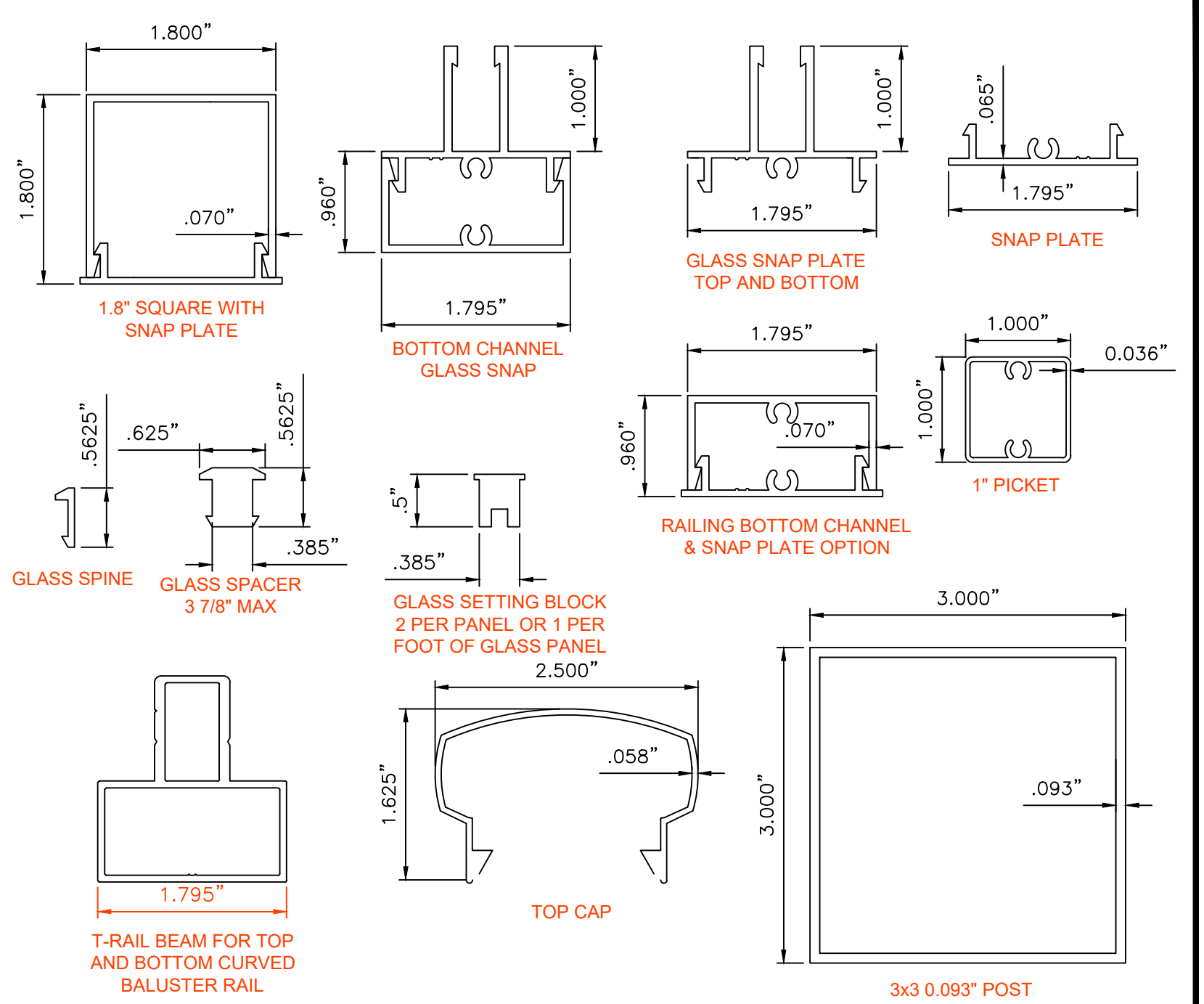
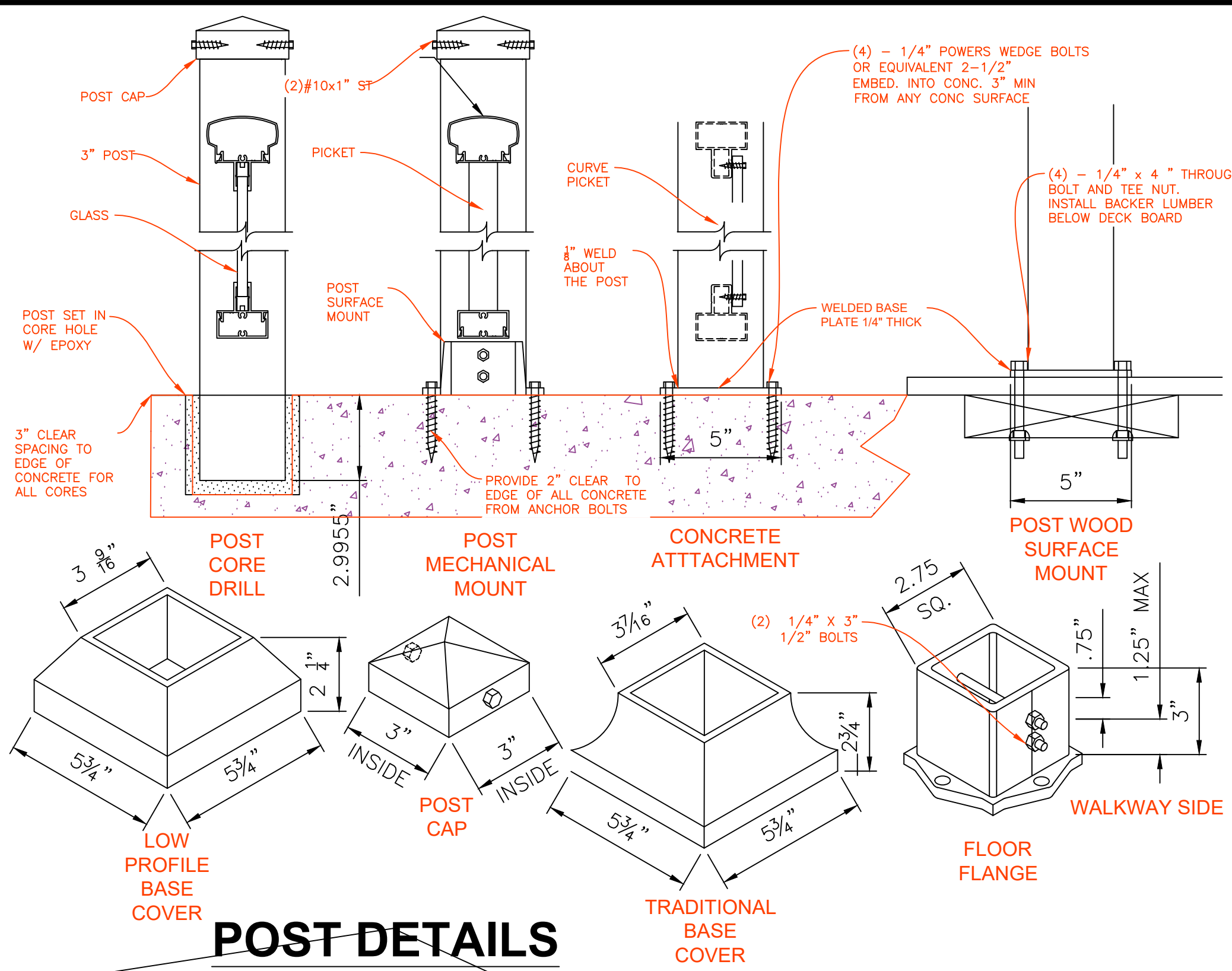
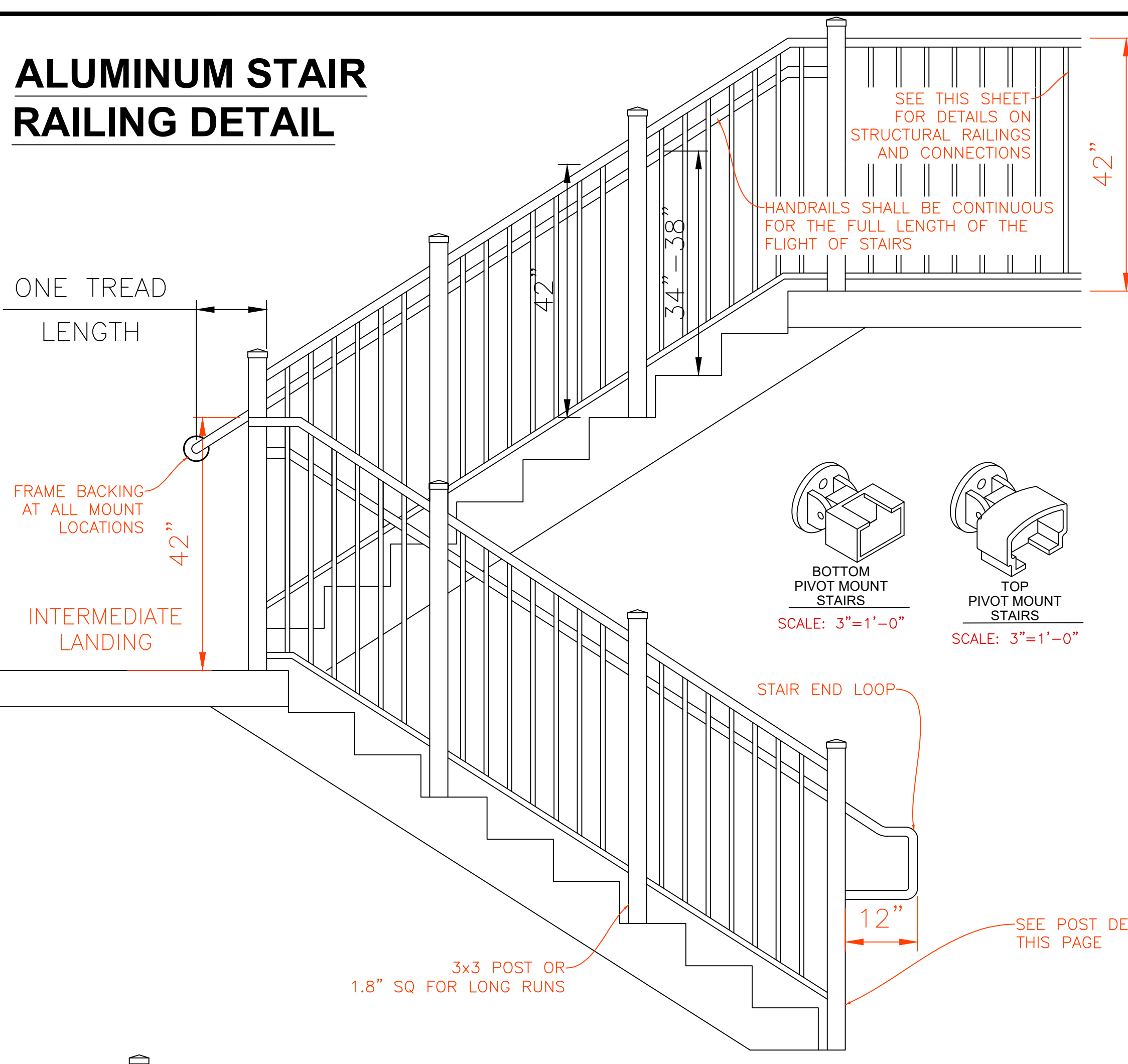
ALUMINUM RAILINGS AND HANDRAILS
STANDARD DETAIL SHEET
MADDEN MFG. CO
 331 DOGWOOD ROAD, LAKE OZARK, MISSOURI 65049
 573-365-7040 800-248-1520



MIDWEST ENGINEERING
 5610 Alona Point
 Osage Beach, MO 65065
 matt.m@mvec.us
 Telephone: 573-216-0066
 www.mvec.us
 MO Corp: 2001015503
 Expires 12/31/18

S-1

ALUMINUM STAIR RAILING DETAIL



- GENERAL NOTES:**
- THIS SYSTEM HAS BEEN DESIGNED IN ACCORDANCE WITH THE REQUIREMENTS OF 2015 INTERNATIONAL BUILDING CODE, (CONCENTRATED LOAD OF 250 POUNDS MAX; AND A SEPARATE 50 PLF LINEAR LOAD).
 - ALL FASTENERS TO BE #10 X 3/4" OR BETTER STAINLESS STEEL.
 - ALL EXTRUDED MEMBERS SHALL BE ALUMINUM ALLOY TYPE 6063-T6, 6061-T6, OR 6005-T5.
 - ALL CONCRETE AND EPOXY TO REACH A MINIMUM COMPRESSIVE STRENGTH OF 3000 PSI IN 7 DAYS. CONCRETE FOOTERS SHALL CONTAIN MINIMUM 0.1% FIBERMESH CONTENT PER CUBIC YARD, WOOD TO BE PRESSURE TREATED #2 SYP OR BETTER.
 - THE CONTRACTOR IS RESPONSIBLE TO INSULATE ALUMINUM MEMBERS FROM DISSIMILAR METALS TO PREVENT ELECTROLYSIS.
 - ACQ LUMBER REQUIRES STAINLESS STEEL FASTENERS.
 - ELECTRICAL GROUND, WHEN REQUIRED, TO BE DESIGNED AND INSTALLED BY OTHERS.
 - ALL WORK AND MEASUREMENTS SHALL BE FIELD VERIFIED BY OTHERS PRIOR TO CONSTRUCTION. SHALL BE NOTIFIED IMMEDIATELY OF ANY INACCURATE INFORMATION PRIOR TO MODIFICATION. FABRICATION AND INSTALLATION OF MATERIALS SHOWN ON THIS SHEET.
 - MIDWEST ENGINEERING COMPANY, LLC (MWE), AND THE ENGINEER SEALING THIS DRAWING ARE RESPONSIBLE FOR THE STRUCTURAL DESIGN ONLY AS SHOWN ON THIS DRAWING. FABRICATION, ERECTION AND CONSTRUCTION PRACTICES ARE NOT THE RESPONSIBILITY OF MWE., OR THE ENGINEER SEALING THIS DRAWING.
 - DO NOT SCALE FROM DRAWINGS. SEE PRODUCT SPECIFICATIONS FOR FURTHER DETAIL.