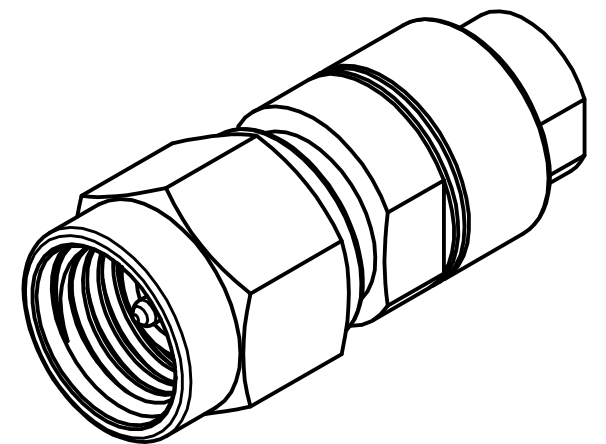
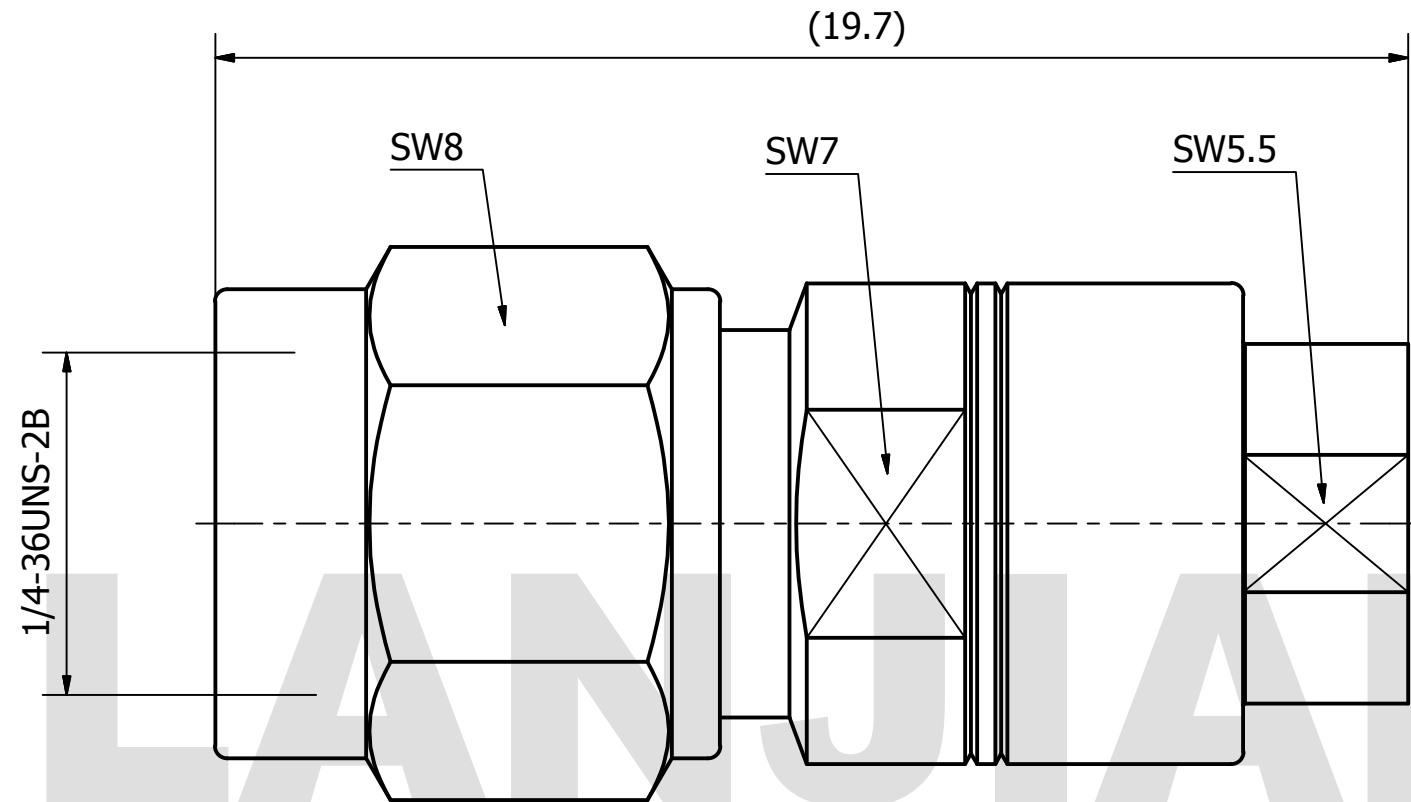


# PRODUCT DATA SHEET



**MATERIAL:**  
 BODY: STAINLESS STEEL PER AMS-5640,  
 ALLOY UNS S30300  
 CONTACT: BERYLLIUM COPPER PER ASTM B196.  
 ALLOY NO. UNS C17300  
 INSULATOR: PEI

**PERFORMANCE:**  
 IMPEDANCE: 50 OHMS  
 FREQUENCY: DC TO 40 GHz  
 VSWR:  $\leq 1.30$

|  |  |            |                          |  |
|--|--|------------|--------------------------|--|
| THIS DOCUMENT CONTAINS CONFIDENTIAL AND PROPRIETARY INFORMATION THAT CANNOT BE REPRODUCED OR DIVULGED, IN WHOLE OR IN PART, WITHOUT WRITTEN AUTHORIZATION FROM "LANJIAN ELECTRONICS" | MATERIAL :                                   |            |                          | <br>38 Hengtong Road, Xinqu Dingmao<br>Zhenjiang, 212009, Jiangsu, P. R. China |
|  | UNLESS OTHERWISE SPECIFIED: DIMENSIONS IN MM |            |                          |  |
|  | TOLERANCES :                                 |            |                          |  |
|  | X.X  | $\pm 0.20$ | ANGULAR : $\pm 1^\circ$  | DEBURR AND<br>BREAK SHARP<br>EDGES   |
|  | X.XX   | $\pm 0.10$ | FILLETS R/C : $\pm 0.10$ |  |
|  | X.XXX  | $\pm 0.01$ | SURFACE FINISH : Ra 1.6  |  |
|  | NAME   | DATE       | SIGNATURE                |  |
| DRAWN  | YaoJiang                                     | 10/09/2019 |                          |  |
| CHK'D  | HongZhongYan                                 | 10/09/2019 |                          |  |
| APPV'D   | HongZhongYan                                 | 10/09/2019 |                          |  |
| MFG  |  |            |                          |  |
| PROJECTION   |  | SIZE       | SCALE                    |  |
|  |  | A3         | 8 : 1                    |  |
| DO NOT SCALE THE DRAWING   |  |            | REV.<br>A                |  |
| PAGE   |  |            | 1 / 1                    |  |

2.92-J322-2A  
straight pin cable connector

DWG No. GCPZ3.650.C.035A