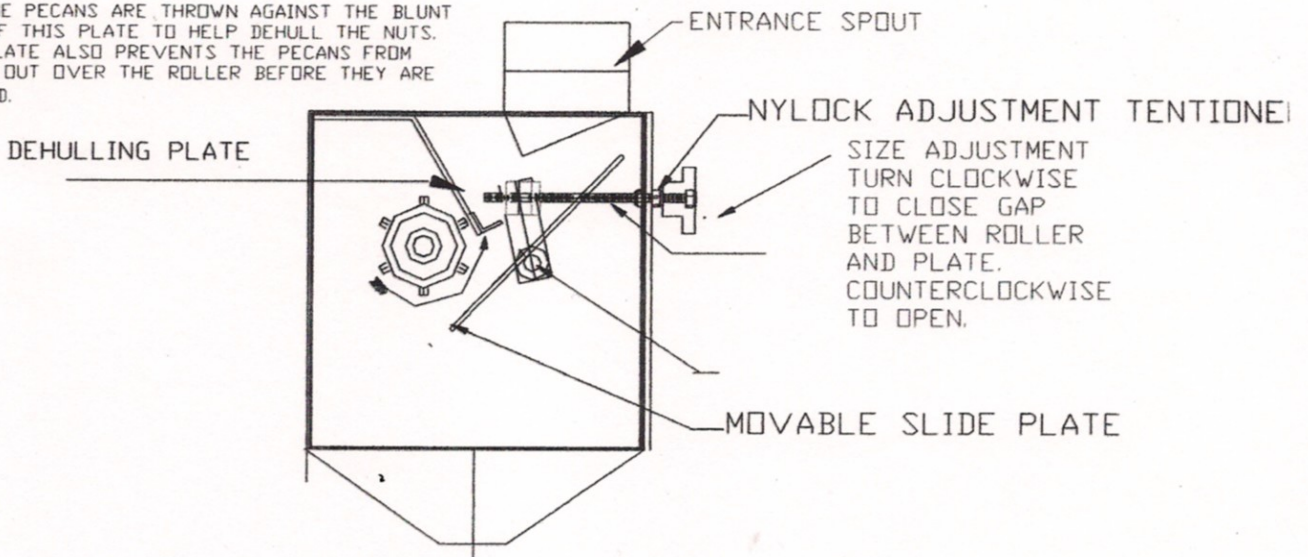
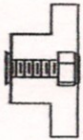


NOTE: THE PECANS ARE THROWN AGAINST THE BLUNT EDGE OF THIS PLATE TO HELP DEHULL THE NUTS. THIS PLATE ALSO PREVENTS THE PECANS FROM COMING OUT OVER THE ROLLER BEFORE THEY ARE SHELLLED.



RIGHT SIDE VIEW

THIS SHOWS THE BASIC DESIGN OF THE PECAN SHELLER. THE ROLLER TURNS CCW TOWARD THE ADJUSTABLE PLATE, THIS KICKS THE PECANS BACK INTO THE SHELLER UNTIL THEY BECOME SEPARATED AND SLIDE UNDER THE ROLLER.