

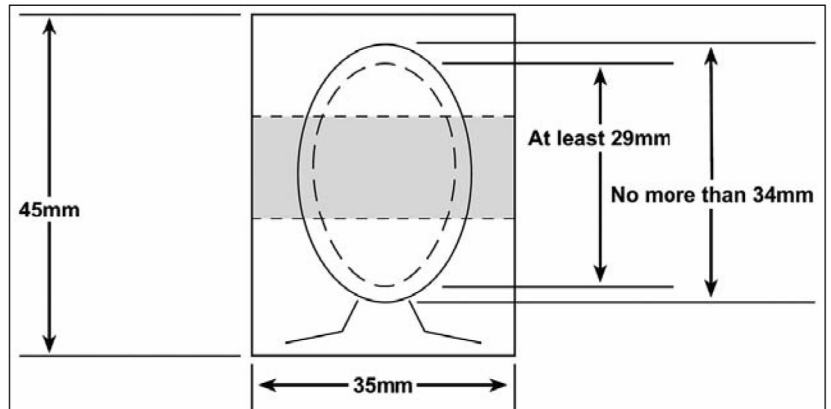
Angolan PHOTOGRAPH GUIDANCE

for visa applications made in the UK (version 01/2013)

The photographs which you have to provide with your application must be in the format specified below. These format requirements meet internationally agreed standards. If the photographs are not in this format, the application will be rejected as invalid. **In particular, the format specified in the first list of requirements below is mandatory.**

The photographs must be

- in colour, not black and white.
- taken against a light grey or cream background.
- 45 millimetres (mm) high x 35 mm wide.
- able to fit into the template opposite, with the eyes positioned in the shaded area.
- free from shadows.
- taken with the eyes open and clearly visible (with no sunglasses or tinted spectacles, and no hair across the eyes).
- with the subject facing forward, looking straight at the camera.
- with a neutral expression with the mouth closed (no grinning, frowning or raised eyebrows).
- of each person on their own (no objects such as dummies or toys, or other people visible).
- taken with nothing covering the face.
- in sharp focus and clear.
- with a strong definition between face and background.



The photographs below are for guidance only. They provide examples of acceptable photographs. Examples of unacceptable photographs are given on the following page.



Good

Good

Good



Acceptable

But preferable to remove spectacles to avoid any possibility of your photo being rejected

Acceptable

Head coverings for religious or medical grounds are allowed

Acceptable

But preferable to remove spectacles to avoid any possibility of your photo being rejected

More help

If you need more advice, or you have a disability preventing you from meeting one or more of our requirements, please contact the the Visa Section at visas@angola.org.uk.

Children

- Photographs of **children aged six and over** must meet the full format requirements set out in this guidance.
- Photographs of **children aged five and under** must show a clear image that is a true likeness of the child. As young children can be difficult to photograph, children aged five and under do not need to have a neutral expression or to look directly at the camera, but they must face forward and meet all other format requirements.
- In addition, **babies under one year old** do not need to have their eyes open even though this is preferable. All other requirements must be met. If the baby's head needs to be supported, the supporting hand must not be in the picture.
- If you have difficulty in meeting these conditions, you should use a photographer instead of a photo booth.

If you choose to use a professional photographer, please ensure that they are aware of the format requirements specified in this guidance, particularly that the photographs will not show a white background when printed.

Please note that it is your responsibility to provide acceptable photographs in the format specified in this guidance. If you do not, your application may be delayed or, in the cases mentioned on the first page, rejected as invalid.

Please also note that the photographs provided by you become part of our official records and we will not return them.

Examples of unacceptable photographs



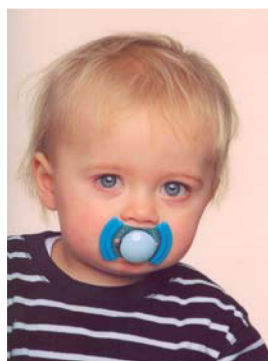
Not acceptable
Portrait style photographs are not permitted



Not acceptable
Dark glasses and smiling are not permitted



Not acceptable
Covering of facial features is not permitted



Not acceptable
Any dummies should be removed before the photo is taken



Not acceptable
Hair covering the face is not permitted



Not acceptable
The spectacles cover the eye



Not acceptable
The scarf creates a shadow.



Not acceptable
Hats are not permitted



Not acceptable
The photograph is blurred



Not acceptable
Opening the mouth



Not acceptable
The photograph contains more than one person



Not acceptable
Even a slight smile distorts the normal facial features



Not acceptable
The subject is too far from the camera



Not acceptable
The subject is too close to the camera



Not acceptable
The background is not light grey or cream

NATIONAL PASSPORT -1st ISSUE

- [Print](#)



To apply for new passport under Decree No. 3/00, 14 January the application form can only be given to you at the Consular Section upon presentation of the document's below:

- Norm requesting the passport (to be completed by the responsible adult);
- Application form fully completed in capital letters, black ink and no errors or erasures. If in doubt leave the field blank and point out to the agent when returning the form. The form must be signed in the presence of a consular agent.
- Four(4) photographs in color and passport size, taken with white background and recent. The applicant should not have braids,

sunglasses and should wear a shirt with collar with or without tie;

Original and photocopy of ONE of the following angolan documents:

- Expired passport, Angolan Identity card, Birth certificate issued in Angola (authenticated by the Registry Office of Ministry of External Relations), "Cédula Pessoal", only for minors up 10 years old).
 - Term of Responsibility, from one of the parents or guardian (To be issued by the Consular Section);
 - Original and photocopy of the following angolan documents:
 - Identity Card;
 - Birth Certificate;
 - Personal ballot (for minors);
- Time: Service from 9:00 to 13:00;