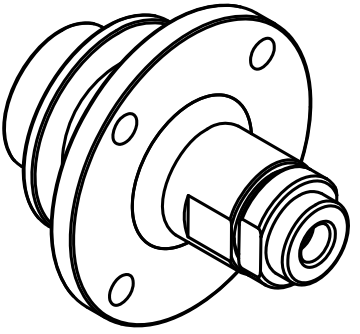
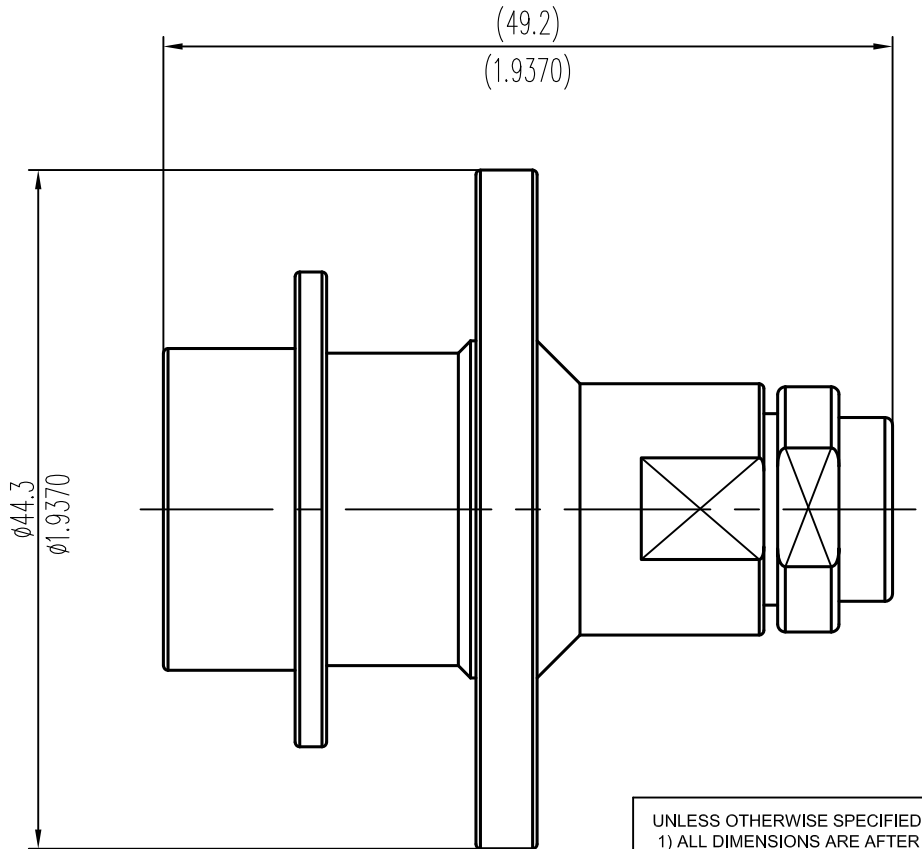



1		2		3		4		5		6	
TECHNICAL SPECIFICATION		METERIAL				FINISH					
FREQUENCY RANGE	DC~6GHz	Inner conductor	Beryllium copper	Gold							
IMPEDANCE	≥10000MΩ	Insulator	PEI	—							
OPERATING TEMP	-55℃~+155℃	Body	Stainless steel 303	Passivated							
VSWR	≤1.08	Nut	Stainless steel 303	Passivated							



UNLESS OTHERWISE SPECIFIED  
 1) ALL DIMENSIONS ARE AFTER PLATING.  
 2) BREAK CORNERS & EDGES.005 R. MAX.  
 3) CHAM. 1ST & LAST THREADS.  
 4) SURFACE ROUGHNESS 63 √ MIL-STD-10.  
 5) DIA S ON COMMON CENTERS TO BE CONCENTRIC WITHIN .004 T.I.R.  
 6) REMOVE ALL BURRS

DRAWN:  
 CHECKED:  
 STANDARDIZATION:  
 APPROVED:



**LANJIAN ELECTRONICS, INC**

DWG.NO. 7-16-MF055

TITLE: SIZE 2:1

CAGE CODE: SHEET 1/1

PROPRIETARY  
 THE INFORMATION CONTAINED IN THIS DRAWING IS THE SOLE PROPERTY OF LANJIAN, INC. WITHOUT THE WRITTEN PERMISSION OF LANJIAN ELECTRONICS, INC IS PROHIBITED.

A

B

C

D

A

B

C

1