

YT RJ45 SERIES

Dedicated signal connector



YT-RJ45 waterproof connector application type

YT-RJ45 dedicated for signals of CNLINKO provides solutions for signal transmission in harsh environments. These connectors are especially suitable for applications for Ethernet in audio, commercial, entertainment, on-site stage equipment, DMX lighting, industrial and outdoor network connection environments. The YT-RJ45 series provides cable jackets, assembled Socket Plug, straight plug, cable couplers and protection styles. The IP44/IP65 protection level is the strongest protection for the installation box.

• Series product information:

Series code:	Signal type: RJ45
Material type:	Plastic type, metal type, plastic and metal type

• Introduction:

YT series are industrial-specific signal connectors. The metal model uses a zinc alloy shell, which has high strength; the plastic model uses an engineering plastic shell, which is light in weight. The product has excellent and stable electrical performance, and is suitable for the connection of equipment installed in front of and behind the board, and can also be used for system connection outside the equipment. The operation is simple, safe and stable.

• Main body material, process and surface treatment:

Shell:	Material: Engineering Plastic/Metal	treatment: chrome plating
	Production Process: Injection Molding & Die Casting & Machining Surface	

• Module material, process and surface treatment:

Contact:	Material: Male/Female Pin (Copper Alloy)	Treatment: Gold plated over nickel
	Production Process: Machining & Stamping Surface	
Insulator:	Material: engineering plastic	Production process: injection molding

• Packaging and Storage:

The product is in a sealed bag, with a small box in the large box, and a label on the small box. The label indicates the product name, model, batch number, and number of products. Packaged products are recommended to be stored in a warehouse with an ambient temperature of 25°C±3°C, a relative humidity of ≤72%, and no acidic, alkaline and other corrosive gases in the surrounding air. Other storage environments may affect product life.

• Check the official website YT-RJ45 series area:

Scan the QR code below to check the YT-RJ45 area of CNLINKO's official website. If you have any doubts, you can contact the online customer service for more detailed product information.



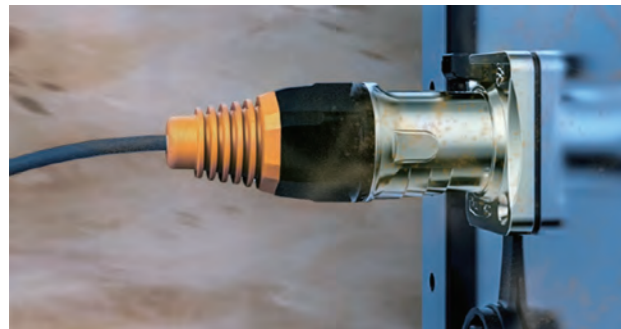
QR code of YT-RJ45 series

Applications



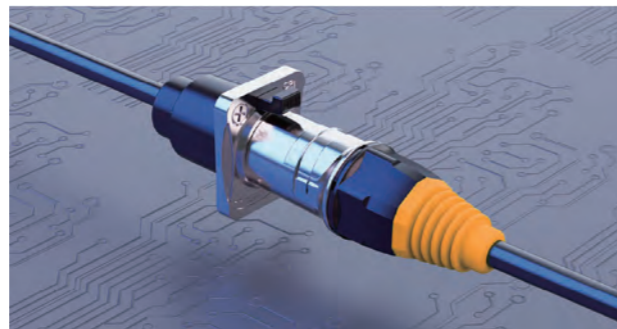
YT-RJ45 series products are used in a certain equipment information control box

Features Overview



Excellent waterproof/dustproof performance

The protection level of YT series can reach IP65 when connected, which can provide good electrical protection performance for the equipment.



Super anti-shielding ability

Precise structure, high-speed transmission, without any delay, faster, more stable and more secure transmission.



Multiple style options

Various materials and styles are available to meet the needs of different application scenarios.



Panel Mount

External connection and installation, stable and convenient, safe and reliable.

Series Infographic



YT-RJ45 Series Information Overview

P139


Product application type:	Signal: RJ45
	The rated voltage of the power connection is 42V, the rated current is 1.2A, and the shield is optional.
Cable O.D:	Signal type:RJ45:Φ5.0~Φ6.8mm
Details page:	Product Parameter Map: P139 Dimension Drawing: P141






























Main feature:

- According to EIA568B/ISO/IEC11801 standard, it complies with D-pole/CAT3e/CAT5e, and the data transmission rate can reach 10M/s, 100M/s, 1000M/s;
- Multi-style connection design, 1/4 quick bayonet connection (YT01), quick plug (YT10) and push-pull;
- The cable jacket has a solid die-cast outer shell and a unique double-clamped ferrule;
- Shielding system--high frequency noise immunity and electromagnetic interference protection;
- The product conforms to the IP44/IP65 protection level when connected.

YR-RJ45 Datasheet

YT-RJ45

RJ45 Signal	Product Series	YT-RJ45		
	Pin Number	RJ45		
	Contact Layout			
	Current Rating(A)	1.5		
	Voltage Rating(V)	125		
	Cable O.D(mm)	φ5.0~φ6.8		
	Wire Gauge	—		
	Protection Level	IP44/IP65/IP67 (In connected state)		
	Terminal Type	CAT.3~CAT.6A		

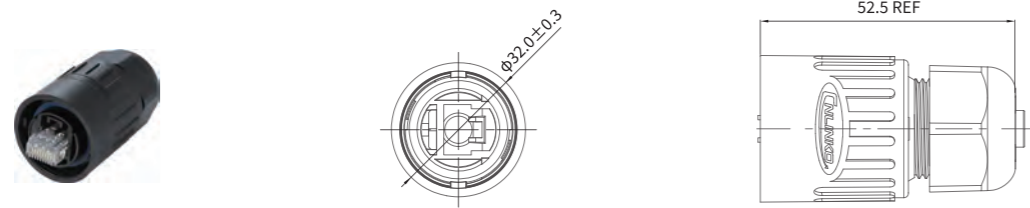
	Circular Metal				Circular Engineering Plastic		Square Engineering Plastic		Square Metal
pl ug	 YT-RJ45-CPE-10-001	 YT-RJ45-CPE-10-002	 YT-RJ45-CPE-11-001		 YT-RJ45-CPE-01-001	 YT-RJ45-CPE-29-001	 YT-RJ45-CPE-13-001	 YT-RJ45-CPE-05-001	 YT-RJ45-CPE-03-001
r e c e p t a c l e	 YT-RJ45-JSX-16-001	 YT-RJ45-JSX-17-001	 YT-RJ45-JSX-22-002	 YT-RJ45-JSX-21-002	 YT-RJ45-JSX-01-001	 YT-RJ45-JSX-29-001(IP67)	 YT-RJ45-JSX-05-002	 YT-RJ45-JSX-07-001	 YT-RJ45-JSX-05-003
	 YT-RJ45-JSX-24-002	 YT-RJ45-JSX-25-001	 YT-RJ45-JSX-32-001	 YT-RJ45-JSX-26-001(IP44)	 YT-RJ45-JSX-04-002A	 YT-RJ45-JSX-29-004(IP67)	 YT-RJ45-JSX-02-001	 YT-RJ45-JSX-08-001	 YT-RJ45-JSX-10-001
	 YT-RJ45-JSX-18-001(IP44)	 YT-RJ45-JSX-19-001(IP44)	 YT-RJ45-JSX-21-001(IP44)	 YT-RJ45-JSX-22-001(IP44)	—	—	—	—	—

YT-RJ45

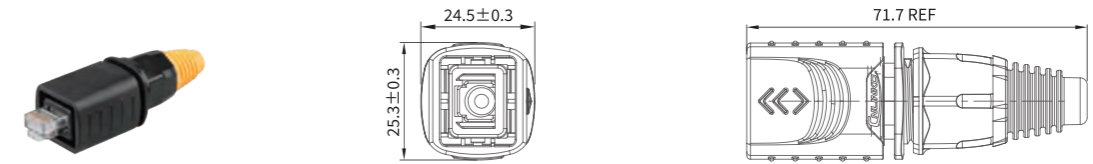
YT-RJ45

YT-RJ45 Dimension Drawing (unit: mm)

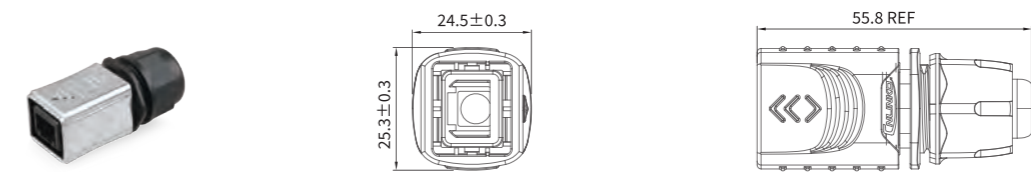
Plastic Circular Connector YT-RJ45-CPE-01-001



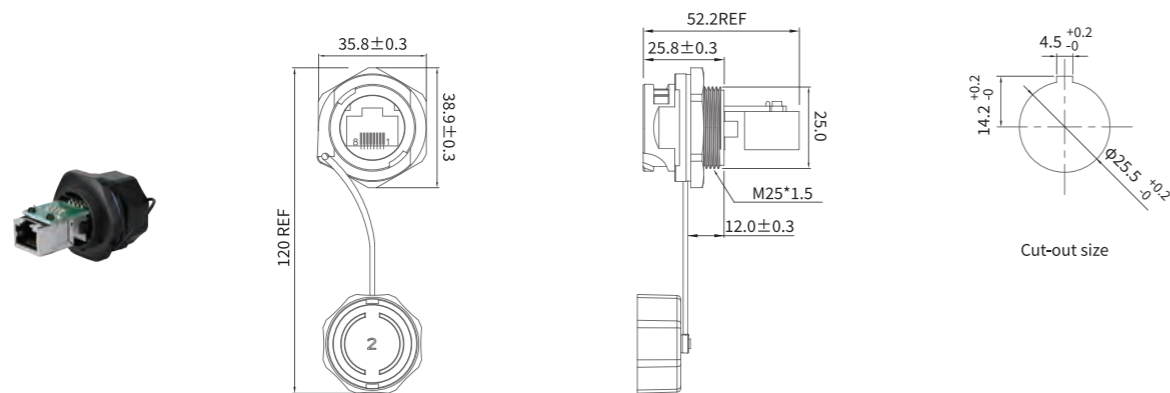
Square Connector YT-RJ45-CPE-05-001



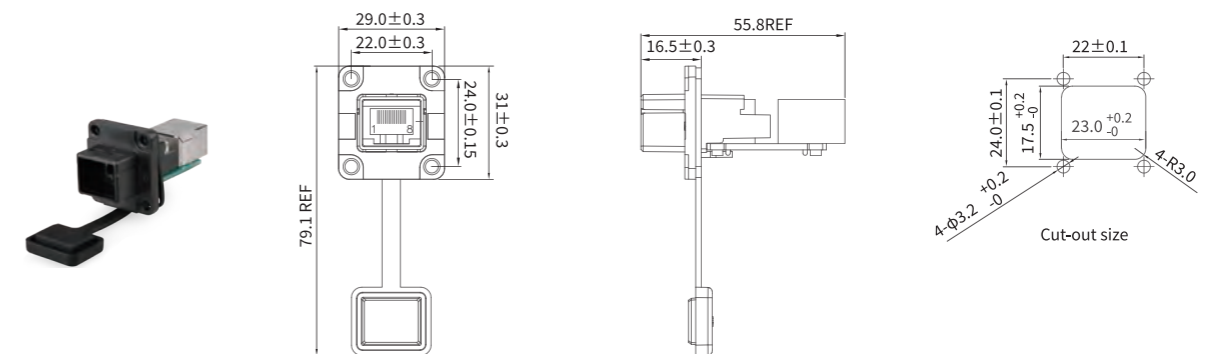
Square Connector YT-RJ45-CPE-13-001



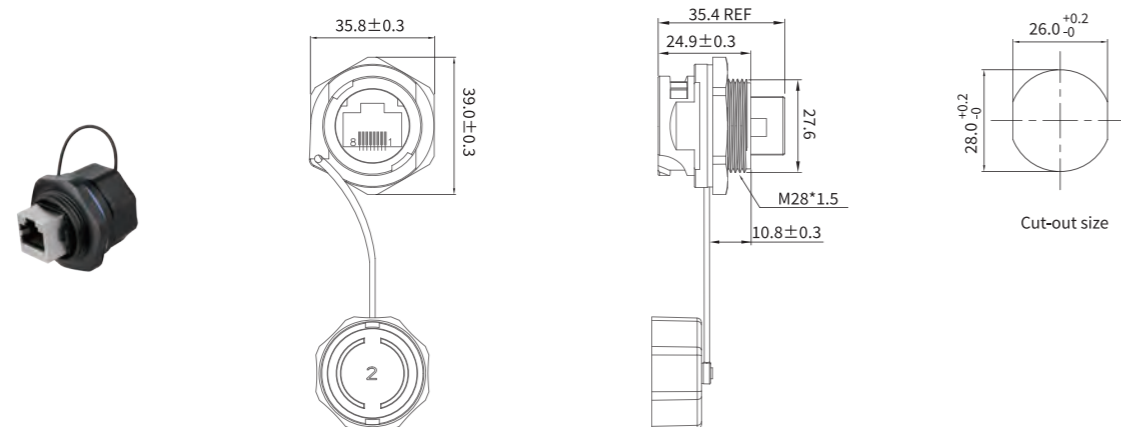
Plastic Circular Receptacle YT-RJ45-JSX-01-001



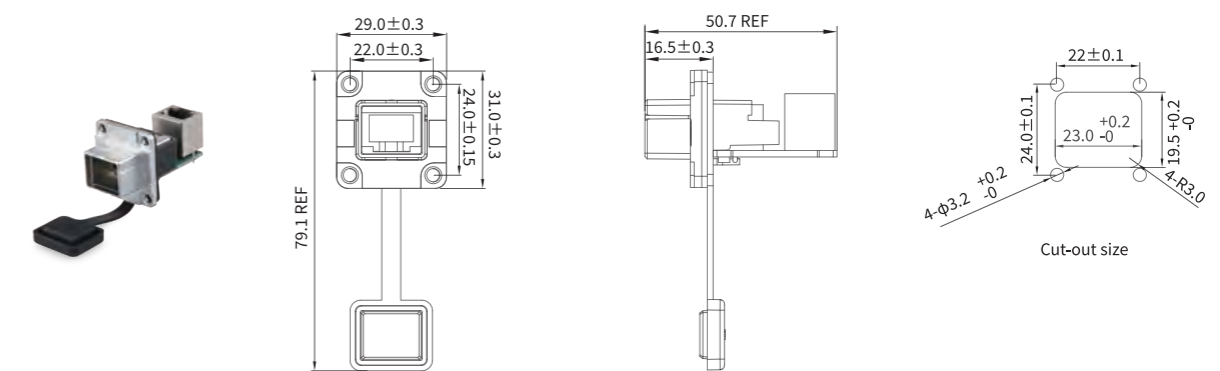
Square Receptacle YT-RJ45-JSX-02-001



Plastic Circular Receptacle YT-RJ45-JSX-04-002A



Square Receptacle YT-RJ45-JSX-08-001

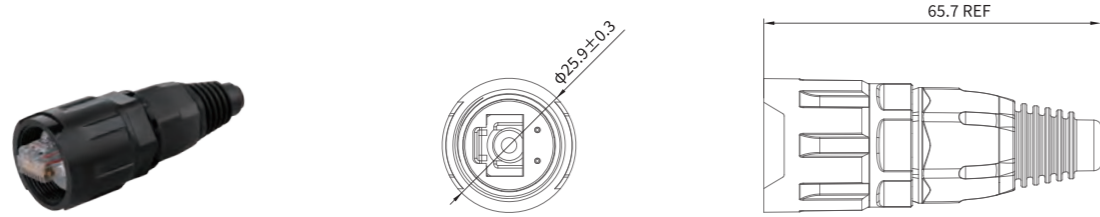


YT-RJ45

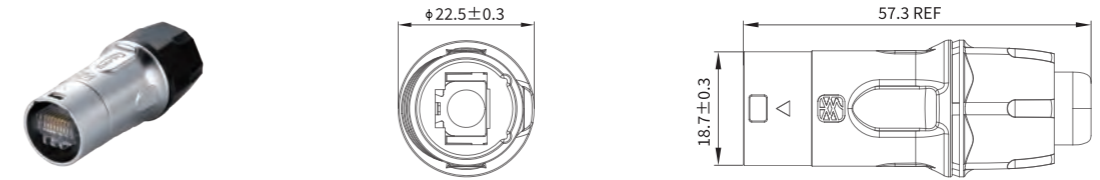
YT-RJ45

YT-RJ45 Dimension Drawing (unit: mm)

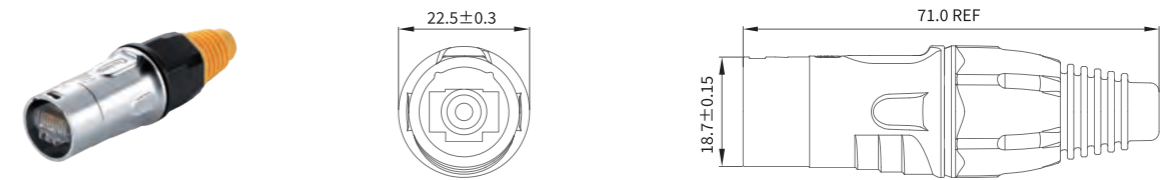
Plastic Circular Connector YT-RJ45-CPE-29-001



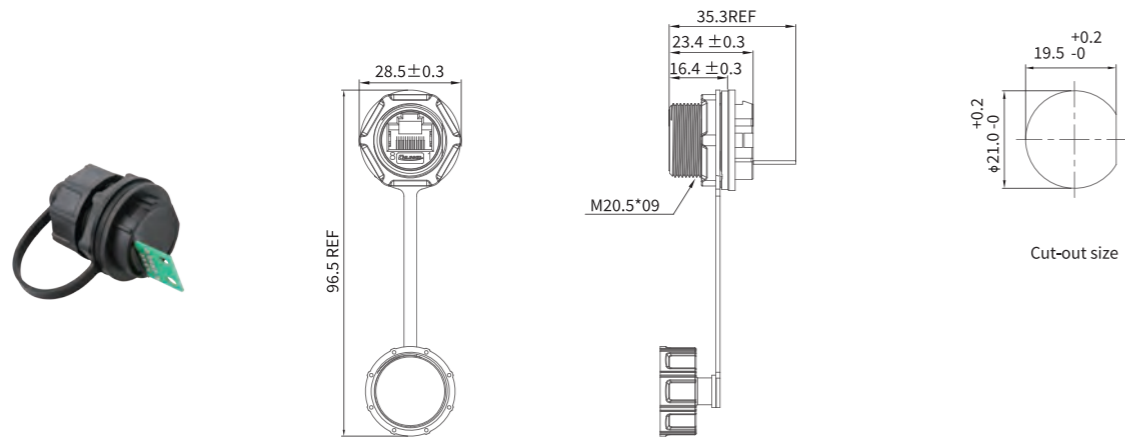
Metal Circularplug Connector YT-RJ45-CPE-11-001/2



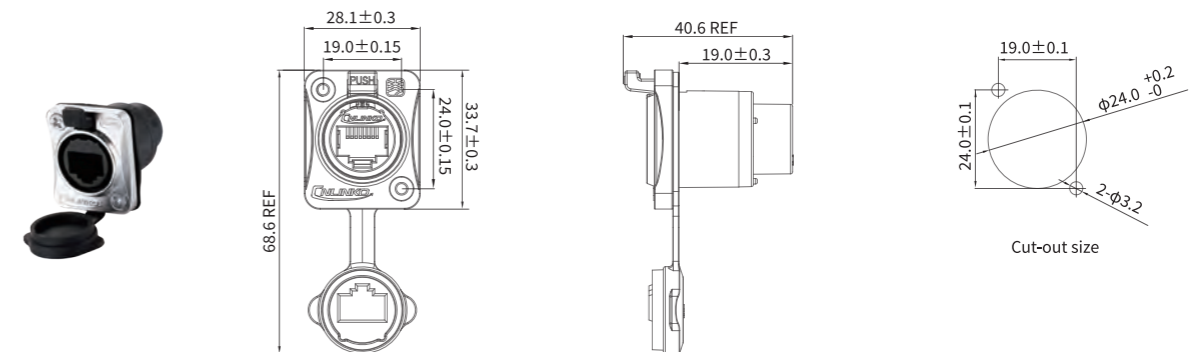
Metal Circularplug Connector YT-RJ45-CPE-10-001/2



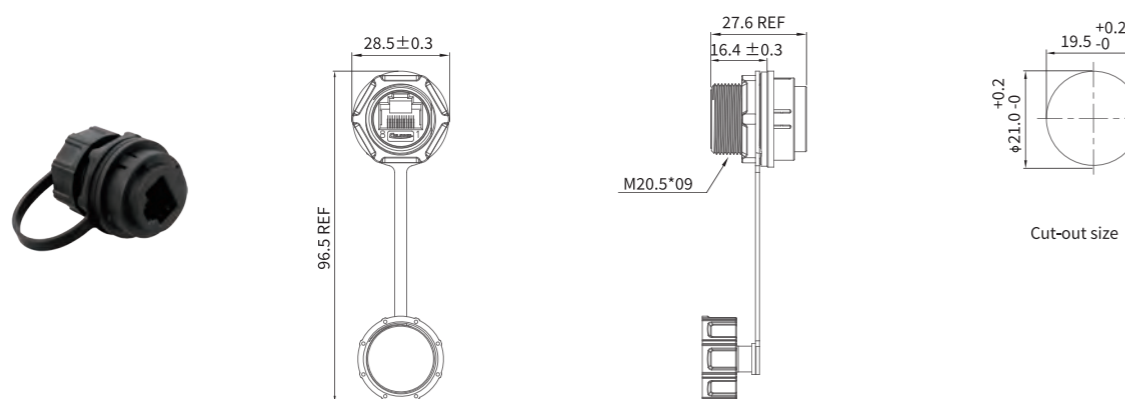
Plastic Circular Receptacle YT-RJ45-JSX-29-001



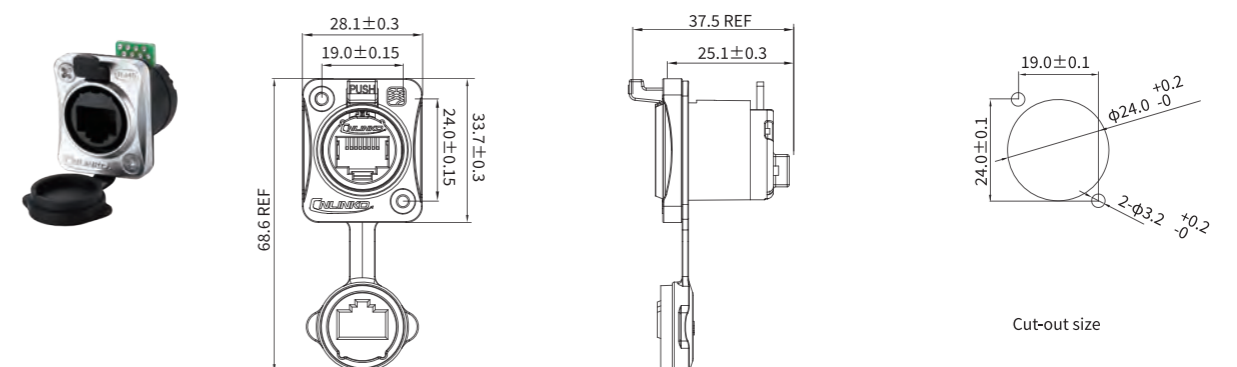
Metal Square Receptacle YT-RJ45-JSX-16-001



Plastic Circular Receptacle YT-RJ45-JSX-29-004



Metal Square Receptacle YT-RJ45-JSX-17-001



YT-RJ45

YT-RJ45