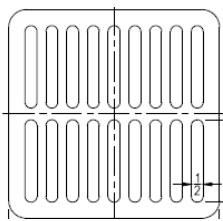
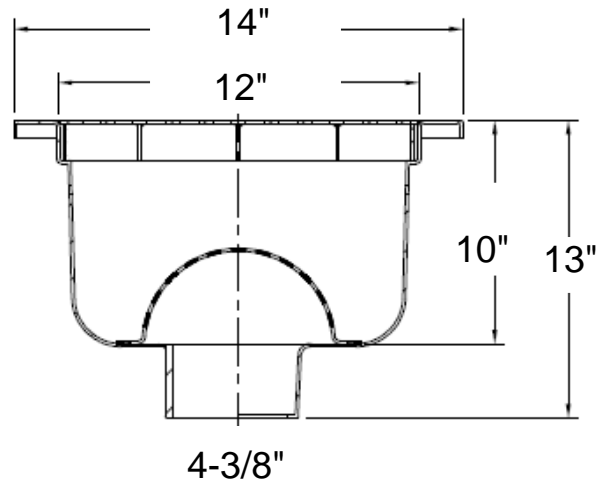


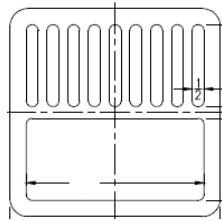
WICKETTS STAINLESS

SPECIFICATION

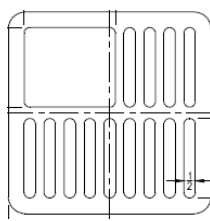
WFS-1414-10
10" Deep
FLOOR SINK



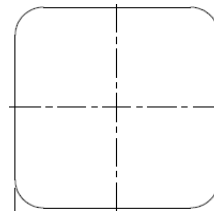
FS
FULL SLOTTED



HS
HALF SLOTTED



3Q
THREE QUARTED
SLOTTED



SG
SOLID GRATE



Engineering Specification: 16 GA. 304 Stainless Steel 14 X 14 Floor Sink 10" Deep;

Interior To Be Radius & Polished. 2", 3", 4" No Hub Or Inside Caulk Outlet.

Wicketts Stainless, LLC.
2618 San Miguel Dr. Bldg. # 376
Newport Beach, CA 92660
Tel: 951-858-2548
Fax: 951-638-9059
sales@wickettsstainless.com
www.wickettsstainless.com



Approved for Manufacturing

Company: _____

Signature: _____

Print: _____ Date: ____/____/____

NON-CANCELABLE

NON- RETURNABLE