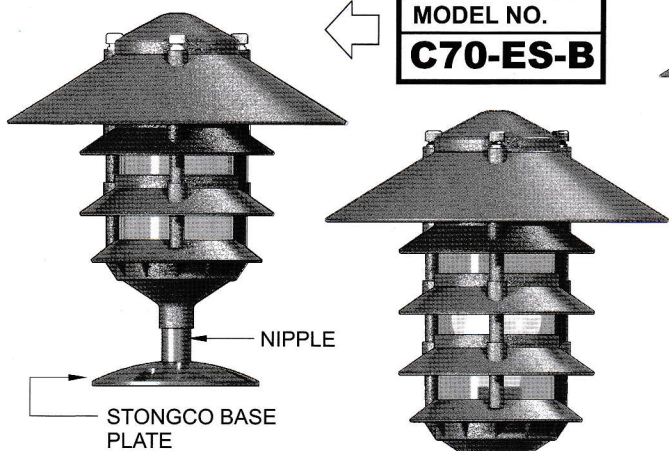


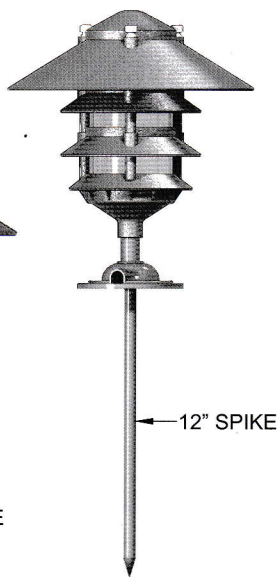
# AMCO GARDEN AND PARK LAMP

COLOR: GRASS GREEN

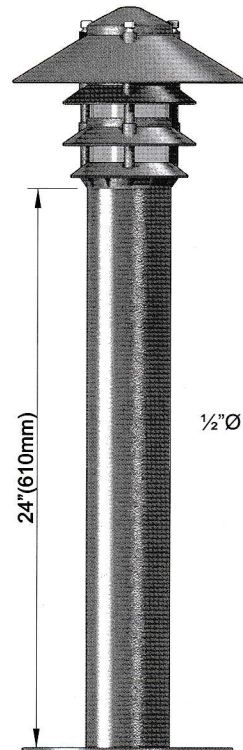


MODEL NO.  
**C70-ES-B**

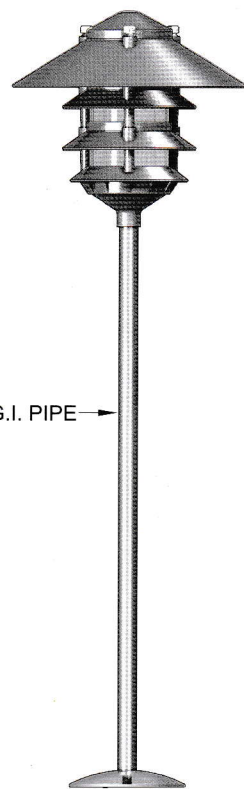
MODEL NO.  
**C70-ESF-B**



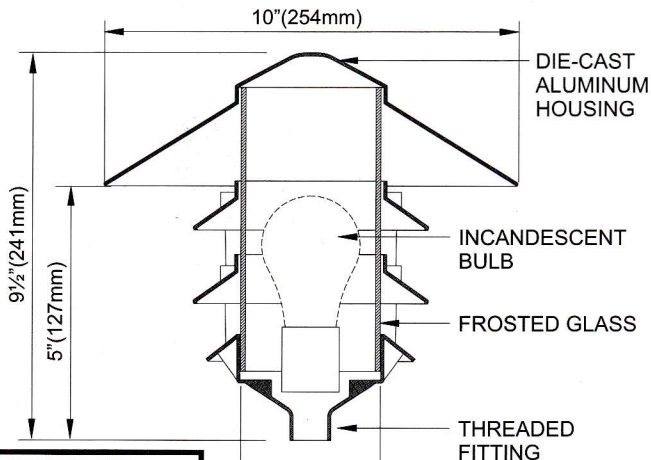
MODEL NO.  
**C70-ES-S**



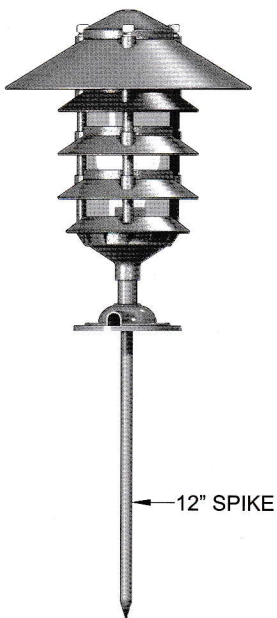
MODEL NO.  
**C70-ES-P**



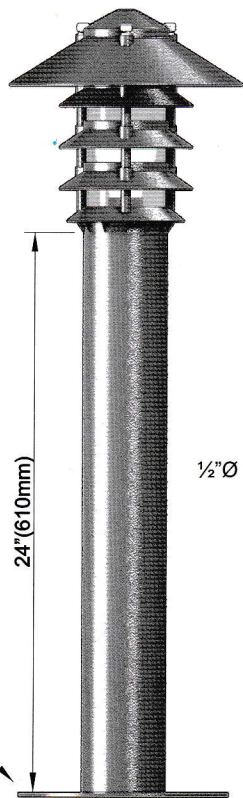
SAMPLE No. 1



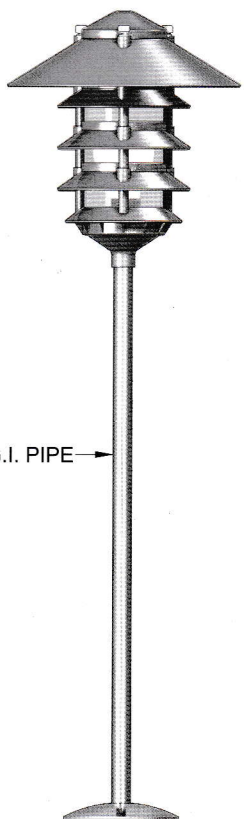
MODEL NO.  
**C70-ES**



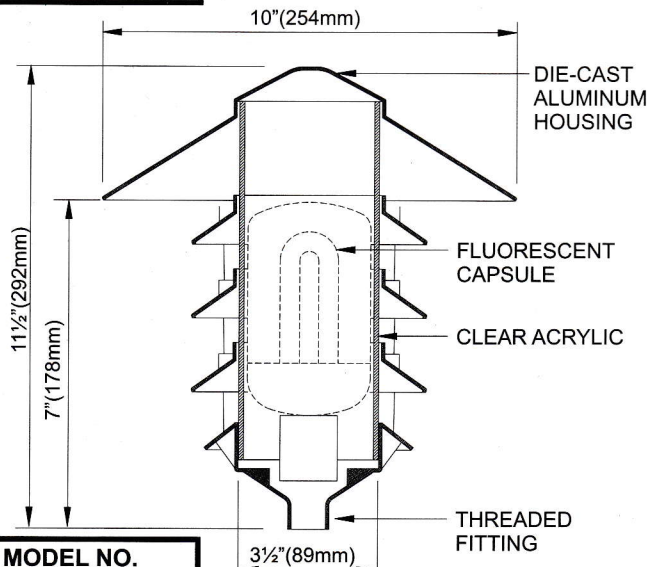
MODEL NO.  
**C70-ESF-S**



MODEL NO.  
**C70-ESF-P**



SAMPLE No. 2



MODEL NO.  
**C70-ESF**

