

Refridgerant Pipe Chase Order Form / RPC 2PC 6-14 2W24GV



6227 147th Ave N. Suite B, Clw, FL 33760

P: (727)-532-4822

F: (727)532-4848

Page: _____

Of _____

Date: _____

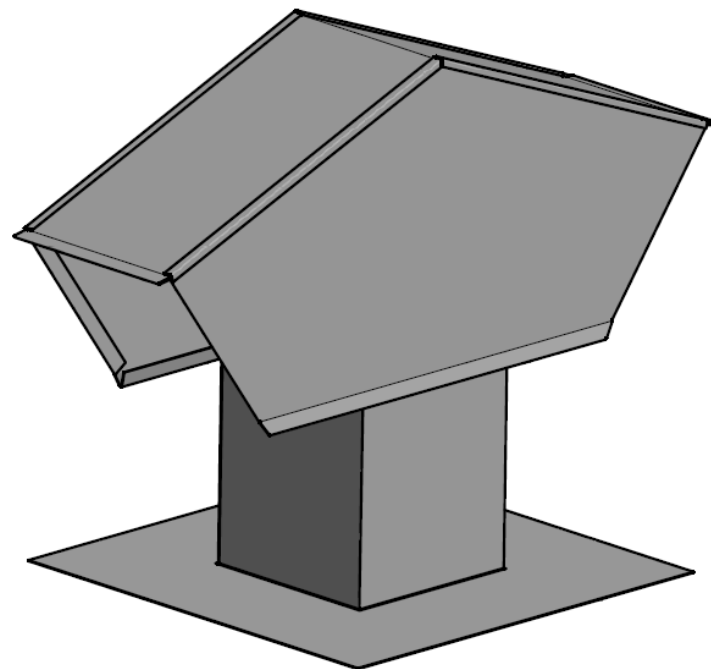
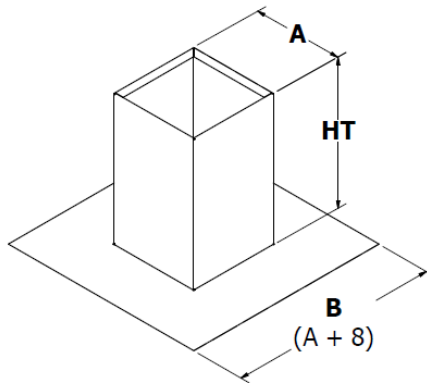
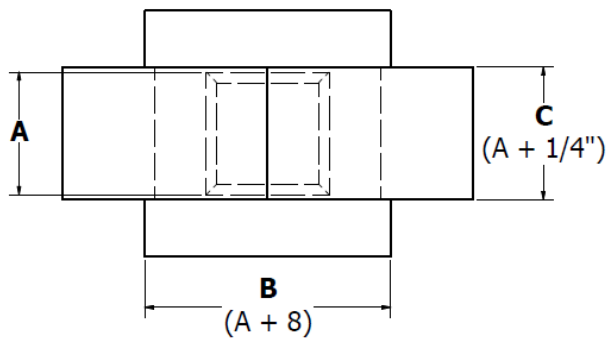
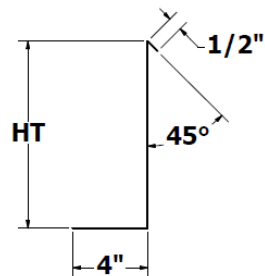
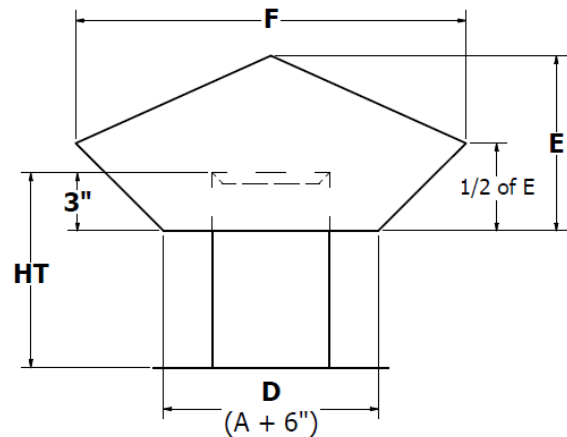
Date Requested: _____

Company Name: _____

Requested By: _____

Job Number: _____

Job Name: _____



Qty.	CURB			CAP				TAG / NOTES	Fab	Comp.	Load	B/O
	A	B	HT	C	D	E	F					
	6"	14"	15 1/2"	6 1/4"	12"	9 1/4"	19 7/8"					
	8"	16"	15 1/2"	8 1/4"	14"	10 7/8"	23 1/8"					
	10"	18"	15 1/2"	10 1/4"	16"	12 3/8"	26 1/2"					
	12"	20"	15 1/2"	12 1/4"	18"	14"	29 3/4"					
	14"	22"	15 1/2"	14 1/4"	20"	15"	33"					

Customer Sign: _____

Date: _____

HVAC Sign: _____

Date: _____