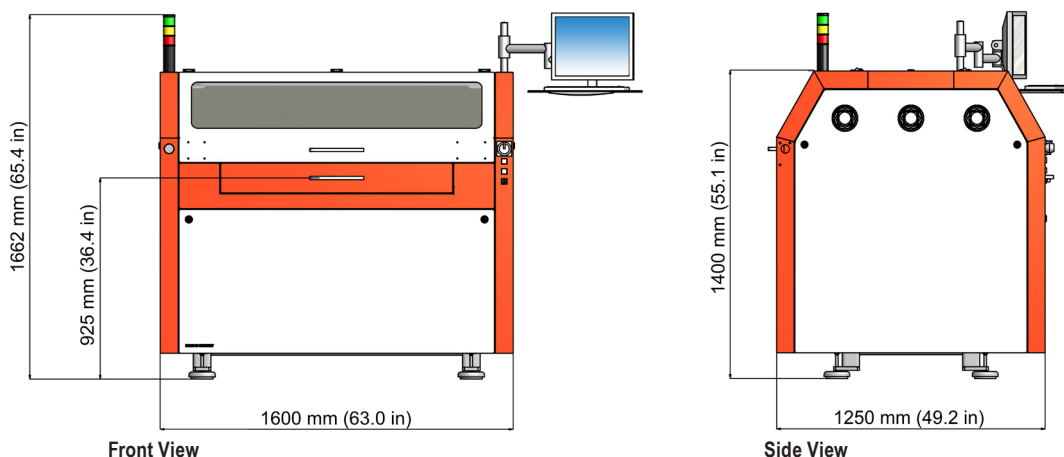


# A8 Technical Specifications

## Flying Probe Test System



### Mechanics

Basic unit with 16 probes (8 top, 8 bottom)  
 Universal shuttle system with pneumatic clamp and stretch mode for testing flexible and rigid boards

Max. board size (X x Y)	610 mm x 640 mm / 24.0" x 25.2"
Min. board size (X x Y)	10 mm x 10 mm / 0.4" x 0.4"
Test area (X x Y)	610 mm x 620 mm / 24.0" x 24.4"
Board thickness	up to 10 mm / 0.4"

Smallest pad	25 $\mu$ m / 1.0 mil* (special setup) 35 $\mu$ m / 1.4 mil
Smallest pitch	80 $\mu$ m / 3.2 mil
Resolution measurement system	$\pm 1 \mu$ m / $\pm 0.04$ mil
Repeatable accuracy	$\pm 3 \mu$ m / $\pm 0.16$ mil

Soft touch probes or *Micro needle probes	5 g to 15 g 0.2 g to 2.5 g
--	-------------------------------

### Electronics

Continuity test	1 $\Omega$ to 10 k $\Omega$
Isolation test	up to 25 M $\Omega$ (FM) up to 10 G $\Omega$ (ohmic) MicroShort Detection <sup>®</sup>
Test voltage	up to 500 V (1000 V optional)

### Camera System

8 color cameras (1024 px x 768 px) for fast optical scanning of top and bottom side

### Options

- 4-wire measurement with max. 300 mA test current
  - 0.25 m $\Omega$  to 1 k $\Omega$   $\pm 2\%$ , min  $\pm 0.025$  m $\Omega$
  - with Kelvin probes 0.2 g to 5 g
  - Smallest pad 80  $\mu$ m / 3.2 mil\*
  - Smallest pitch 120  $\mu$ m / 4.8 mil\*
  - \*with Kelvin probe fine adjustment
- Embedded components test
  - R 0.5  $\Omega$  to 10 M $\Omega$   $\pm 0.5\%$ , min  $\pm 0.5 \Omega$
  - > 10 M $\Omega$  to 50 M $\Omega$   $\pm 2\%$
  - C 0.1 pF to 100  $\mu$ F  $\pm 2\%$ , min  $\pm 0.03$  pF
  - L 0.2  $\mu$ H to 5 mH  $\pm 3\%$ , min  $\pm 0.1 \mu$ H
  - Diode / Varistor
    - $U_R$  reverse voltage and
    - $U_{BR}$  breakdown voltage up to 10 V
- LaTest<sup>®</sup> open detection
  - with LaTest<sup>®</sup> probes 1 g to 10 g
  - High current 1.4 A (1 kHz)
- Enhanced test voltage up to 1000 V
- Retest of fault files from external grid test systems on inquiry
- Repair software with barcode support

Data input format	IPC-D-356A
Network connection	Ethernet, TCP / IP
Power supply	3 x 400 V, 50 Hz (3 x 208 V, 60 Hz), 3000 VA
Compressed air	8 bar / 115 psi, filtered
Temperature	18 $^{\circ}$ C to 27 $^{\circ}$ C / 66 $^{\circ}$ F to 81 $^{\circ}$ F, $\pm 3$ K
Relative humidity	40% to 60%
Machine weight	1100 kg / 2425 lbs

All information subject to change without notice!  
 January 2014