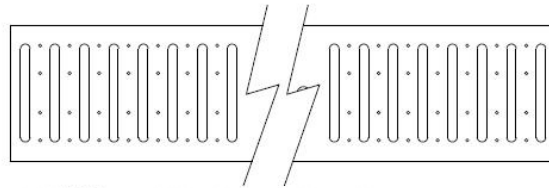
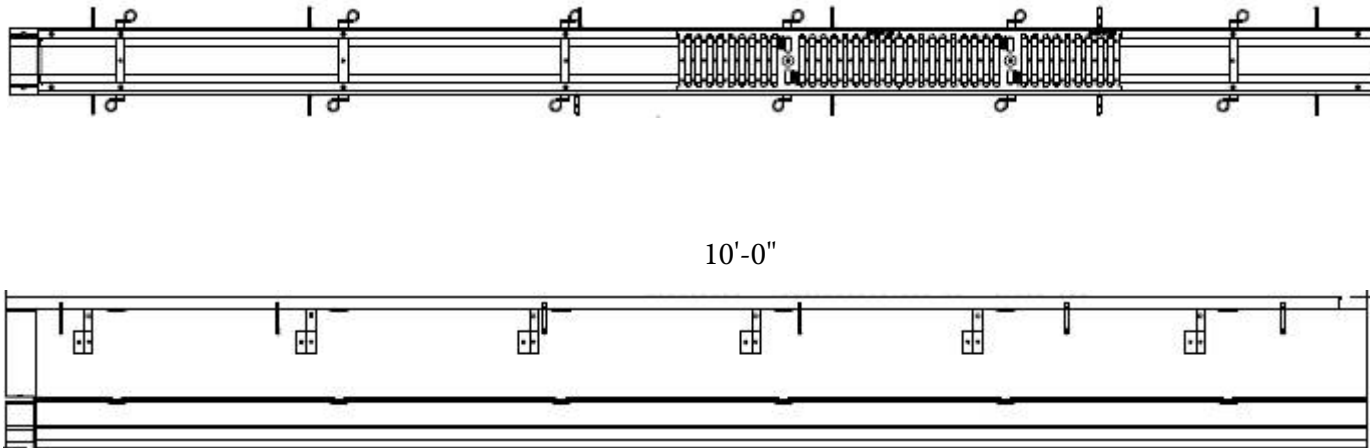
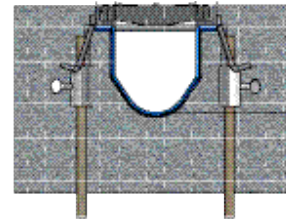


WICKETTS STAINLESS SPECIFICATION

Fiberglass Trench Drain
Stainless Steel Frame
MT-06-FG-SF-FS



FS (Slotted Stainless Steel)



Engineering Specification: 6" Wide Channels Made of Reinforced Fiberglass Modular Trench. Smooth Seamless Construction. Stainless Steel Frame and Slotted Grate. With built in 1% slope to. End caps ;Outlets to be Glassed in from factory. Various Grates are Available either standard or ADA, Heel-proof or Extra heavy Duty. * Conforms to ASME A112.6.3

WICKETTS STAINLESS, LLC
2618 San Miguel Dr. Bldg.# 376
Newport Beach, CA 92660
(951) 858-2548 PH.
(951) 638-9059 FAX.
www.wickettsstainless.com
sales@wickettsstainless.com



Approved for Manufacturing

Company: _____

Signature: _____