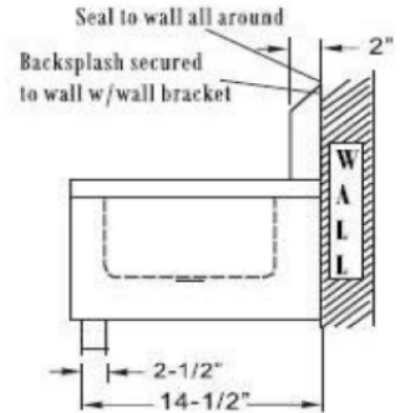
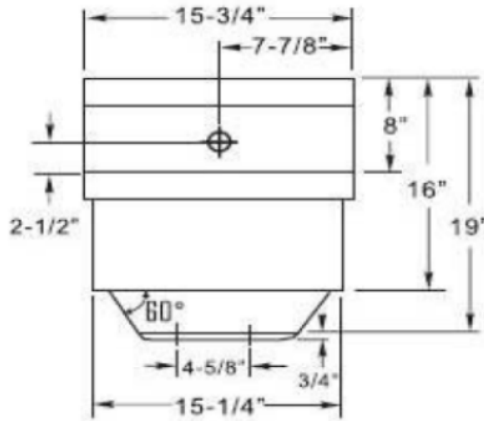
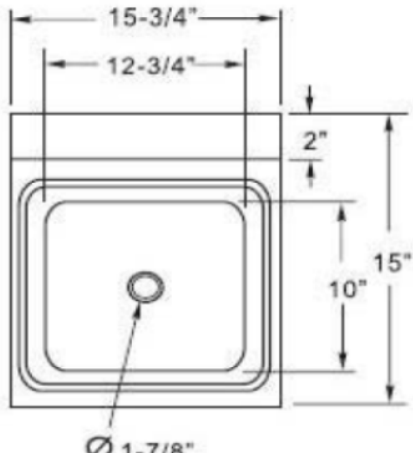


# WICKETTS STAINLESS

Stainless Steel Hand Sink  
WHS 1615-KSSG KNEE VALVE

## SPECIFICATION



Product #	Description
WHS 1615-KSSG	16 x 15 Wall Mount Hand Sink With Knee Valve; Side Splashes Lead Free Faucet

Wicketts Stainless, LLC  
2618 San Miguel Bldg. # 376  
Newport Beach, CA 92660  
Tel: 951-858-2548  
Fax: 951-638-9059  
sales@wickettsstainless.com  
www.wickettsstainless.com



**WARNING:**  
This product can expose you to chemicals,  
which are known to the State of California to  
cause cancer. For more information, visit  
www.P65Warnings.ca.gov.

Approved for Manufacturing  
Company: \_\_\_\_\_  
Signature: \_\_\_\_\_  
Print: \_\_\_\_\_ Date: \_\_\_/\_\_\_/\_\_\_