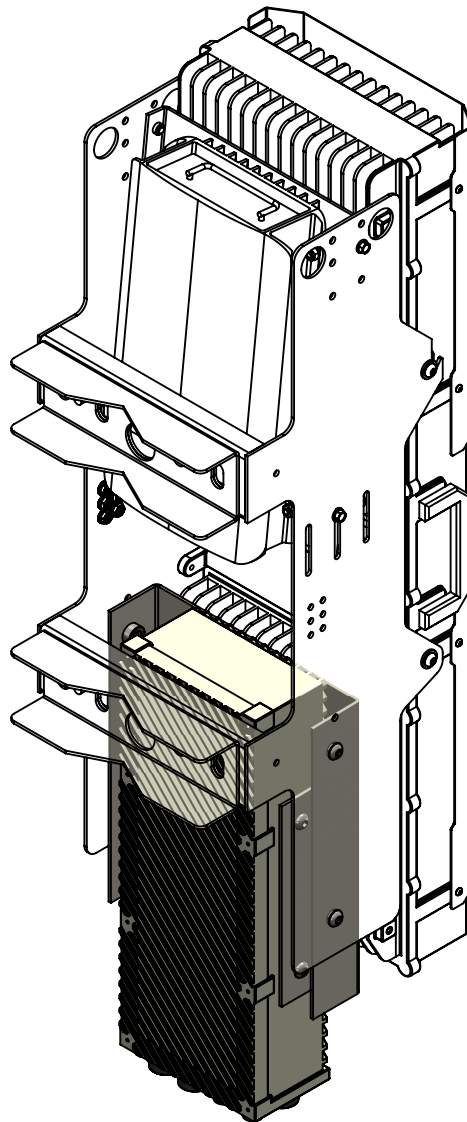




## TLU/PMU BRACKET

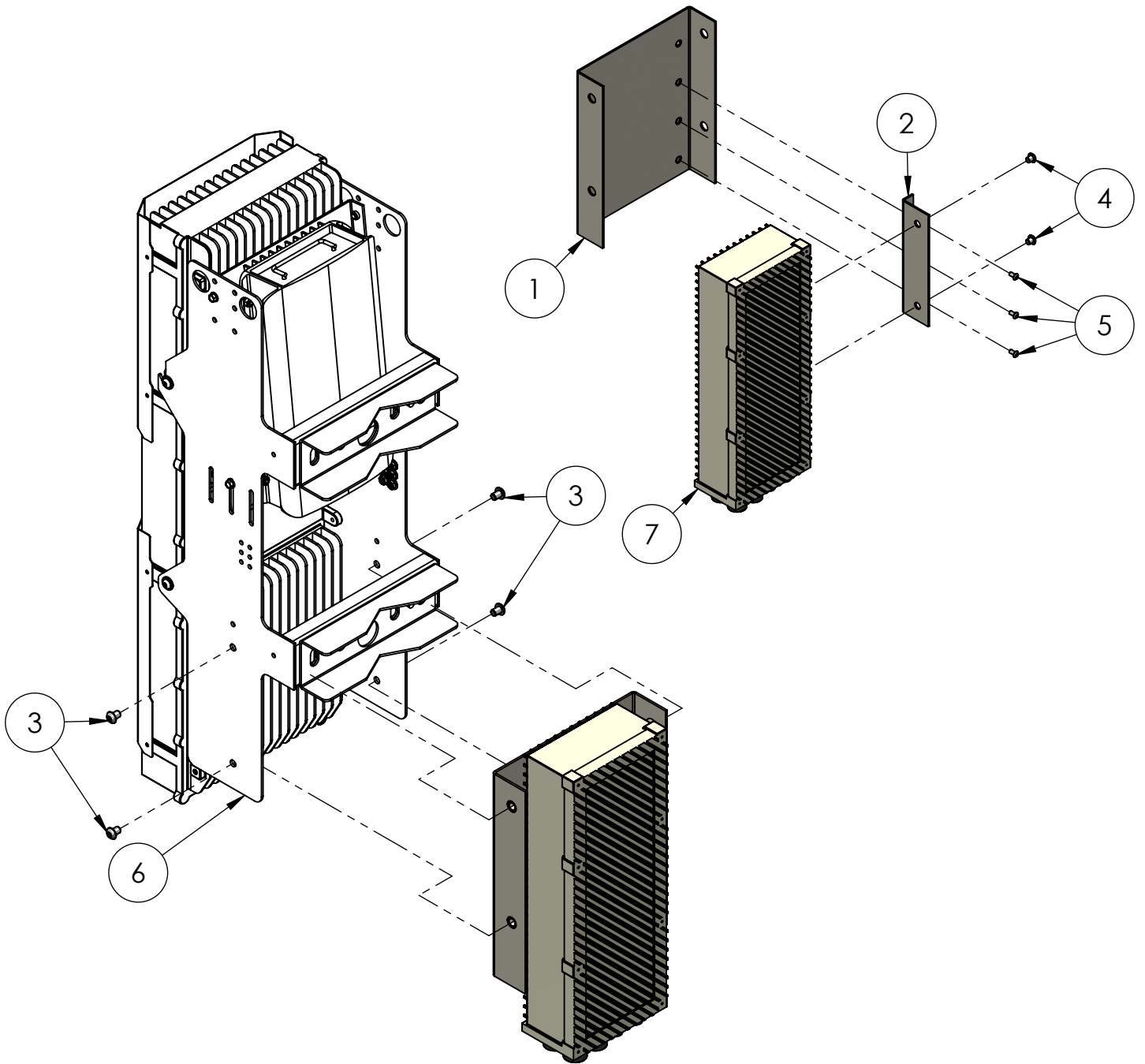


Wireless Construction, Inc.  
40 Blake Road, Standish ME 04084  
Phone: (207) 642-5751 | Fax: (207) 642-5754  
[www.wcitowers.com](http://www.wcitowers.com)

Rev2.0-111517



# TLU/PMU BRACKET



Item	Part Number	Description	Qty
1	V-228	Main Bracket	1
2	V-228-A	Router Bracket	1
3	V-3816-500	Flange Head Cap Screw 3/8"-16 1/2"lg	4
4	V-M8-010	Flange Head Cap Screw M8x10mm	2
5	V-1420-500	Flange locknut 1/4"-20 1/2"lg	3
Not Included:			
6	Radio Bracket	WCI Radio Pole/Wall Mount	1
7	1830 VWM	Nokia 1830 VWM (Versatile WDM Module)	1