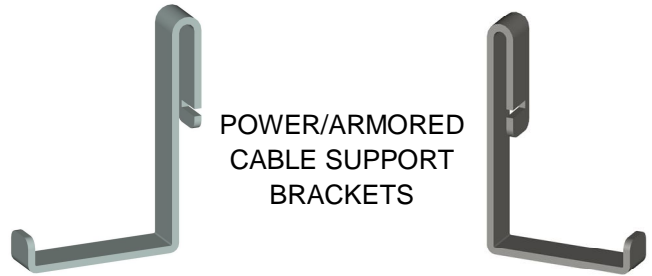


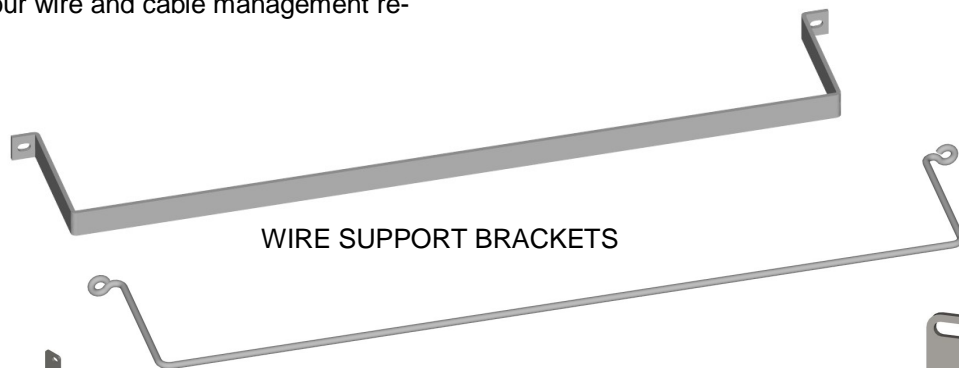
# WIRE AND CABLE MANAGEMENT

## Wire and Cable Management Solutions

A variety of items are available for managing and organizing wire and cable in common systems and cabinet environments. From cable rack, auxiliary framing to network and cabinet environments, we offer solutions for handling wire and cable routing. We can also provide custom solutions as required. If you don't see what you are looking for, please call and we will gladly work with you to produce a solution to your wire and cable management requirements.



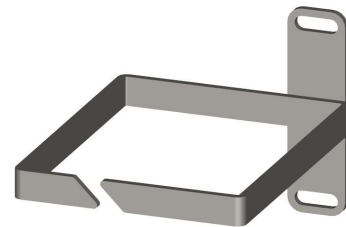
POWER/ARMORED  
CABLE SUPPORT  
BRACKETS



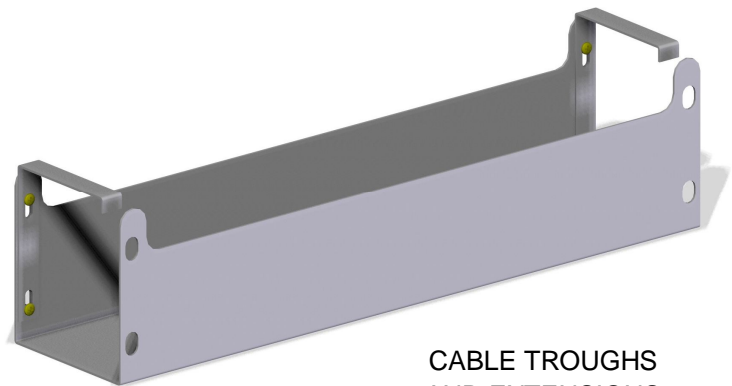
WIRE SUPPORT BRACKETS



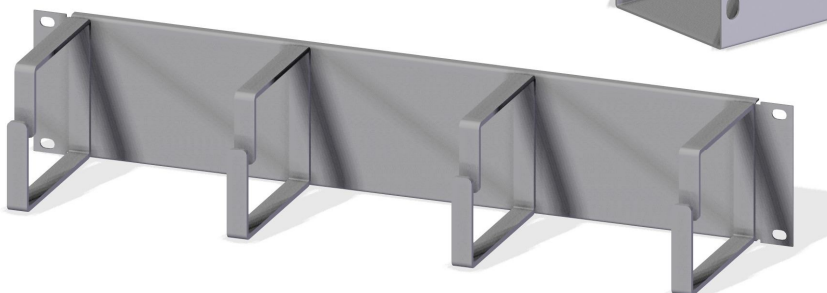
"TOWEL BAR"  
WIRE SUPPORT  
BRACKET



WIRE RETAINERS



CABLE TROUGHS  
AND EXTENSIONS



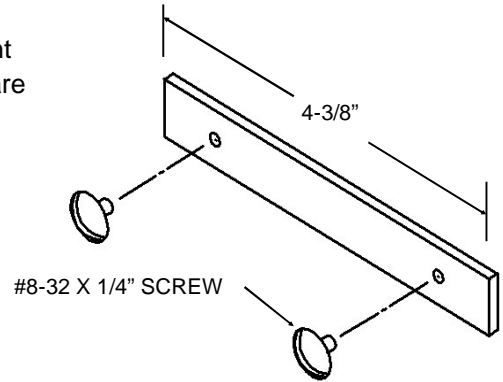
HORIZONTAL WIRE MANAGEMENT PANELS

## WIRE AND CABLE MANAGEMENT

### Cable Tie Bar Kit

Tie bars are used in the duct of unequal flange and network equipment racks to tie off cable. Bars are manufactured from 11 gage steel and are plated yellow zinc dichromate. Sold individually or in kits to fit 7', 9' or 11'-6" equipment racks.

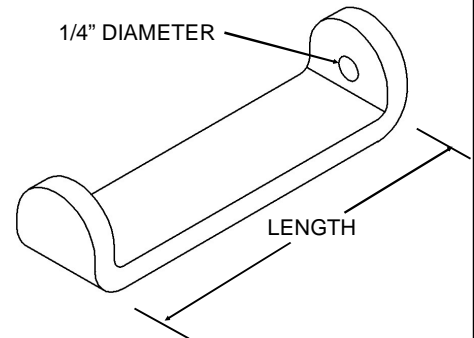
CABLE TIE BAR KITS		
DESCRIPTION	PLATES INCLUDED	PART #
INDIVIDUAL PLATE KIT	1	56000002
PLATE KIT FOR 7' RACK	14	CC010183
PLATE KIT FOR 9' RACK	18	CC010185
PLATE KIT FOR 11'-6" RACK	22	CC010187



### Cable Standoff Brackets

These brackets can be used along the flange of an equipment rack to organize and route cable neatly. Manufactured from 3/16" x 3/4" steel bar, these brackets are finished in telco gray powder coat. Brackets have one mounting hole and are sold individually. Mounting screws sold separately.

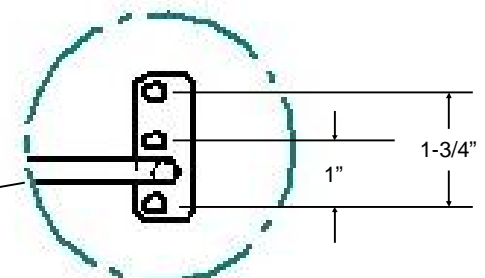
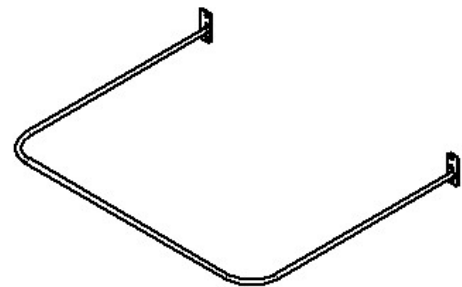
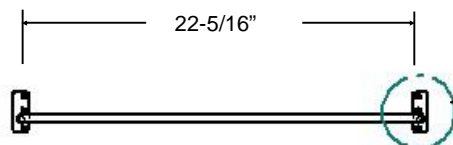
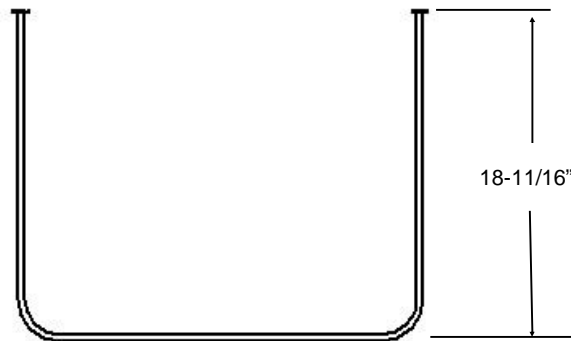
STANDOFF BRACKETS	
LENGTH	PART #
2"	56000006
3"	CC103231
4"	CC103232
5"	CC103233
6"	CC103193
7"	CC103234
8"	CC103235
9"	CC103236
10"	CC103237



SEE PAGE 9 FOR AVAILABLE  
COLOR OPTIONS

### Wire Hanger Bracket "Towel Bar"

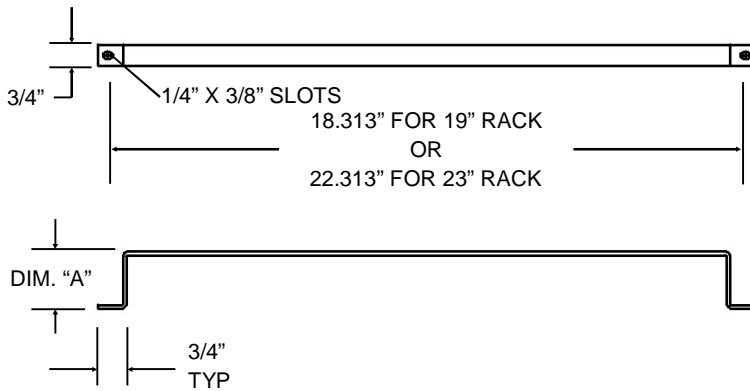
Heavy duty wire hanger bracket formed from 3/8" diameter steel bar. Mounting flanges are fabricated from 11 gage steel. Welded construction. Finish is telco gray powder coat. Mounting screws sold included. **Order CCWH2813-G**



# WIRE AND CABLE MANAGEMENT

## Wire Support Brackets (Bar Type)

Wire support brackets are used on equipment racks to stand wire off the back or front of the rack. Manufactured from 1/8" x 3/4" steel bar. Finish is telco gray powder coat. Custom colors available upon request. Sold individually.



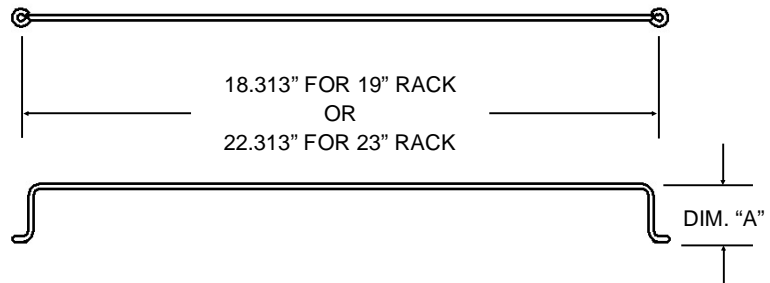
WIRE SUPPORT BRACKETS		
DIM. "A"	FOR 19" RACK	FOR 23" RACK
0" (FLAT)	56500083-19	56500083
1"	CC010236	CC010236-23
2"	CC010119	56500082
3"	CC010237	CC103305
4"	CC010326	56500051
5"	CC010371-19	CC010371
6"	CC010238	CC010238-23
7"	CC010367-19	CC010367
8"	CC103304-19	CC103304
9"	CC010239	CC010239-23
10"	CC010341-19	CC010341

SEE PAGE 9 FOR AVAILABLE COLOR OPTIONS

## Wire Support Brackets (Wire Type)

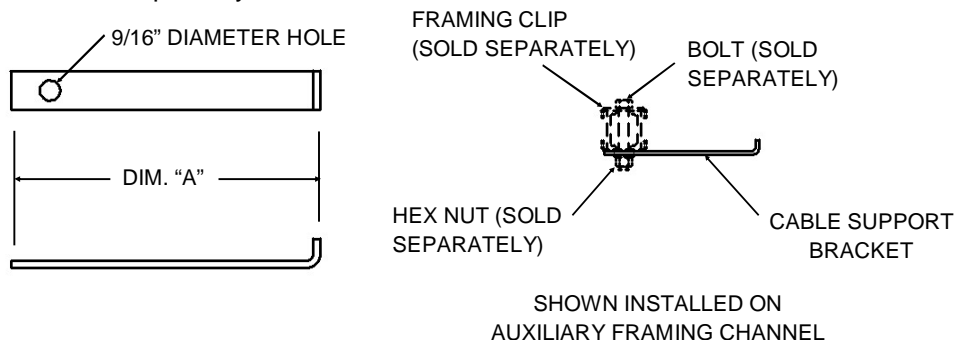
Wire support brackets are used on equipment racks to stand wire off the back or front of the rack. Manufactured from 3/16" diameter stainless steel rod. Standard finish is brushed stainless. These brackets can be powder coated upon request, specify color when ordering. Sold individually.

WIRE SUPPORT BRACKETS		
DIM. "A"	FOR 19" RACK	FOR 23" RACK
0" (FLAT)	CC010358-19	CC010358
2"	CC010026-19	CC010026
4"	CC010261-19	CC010261



## Cable Support Brackets (From Auxiliary Framing)

These cable support brackets mount to auxiliary framing and support cable when clamped to framing via a pair of framing clips and hardware. Bracket is manufactured from 1/4" x 1" steel bar. Finish is telco gray powder coat. Order hardware separately.



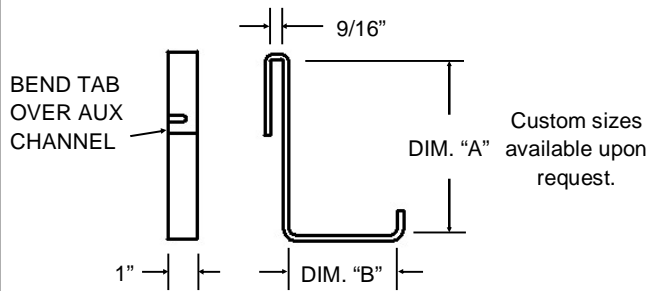
CABLE SUPPORT BRACKET	
DIM. "A"	PART #
6-1/2"	56500021
7-1/2"	CC103106
8-7/8"	56500015

Custom sizes available upon request.

## WIRE AND CABLE MANAGEMENT

### Power/Armored Cable Support Brackets (From Auxiliary Framing - LH)

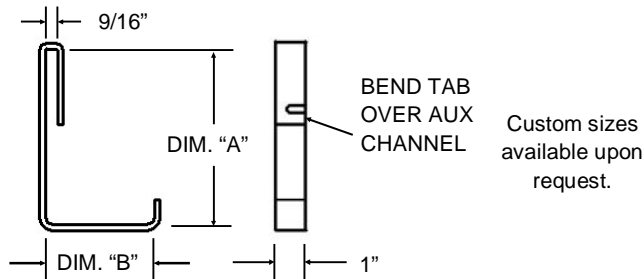
These brackets support cable along a line of 2" x 9/16" x 3/16" auxiliary framing channel. Brackets are formed from 3/16" x 1" steel bar and are finished in telco gray powder coat. These brackets feature a bendable tab for quick and simple installation. Simply squeeze the tab with a pair of pliers and the bracket is secured. Sold individually.



CABLE SUPPORT BRACKETS (LH)					
DIM. A	DIM. B	PART #	DIM. A	DIM. B	PART #
3"	4"	CCFPBL34	5"	5"	CCFPBL55
4"	3"	CCFPBL43	6"	4"	CCFPBL64
4-1/2"	3-3/8"	CC103194	6"	5"	CCFPBL65
4"	4"	CCFPBL44	7"	4"	CCFPBL34
4"	5"	CCFPBL45	7"	5"	56190032
5"	4"	CCFPBL54	7"	6"	CCFPBL34

### Power/Armored Cable Support Brackets (From Auxiliary Framing - RH)

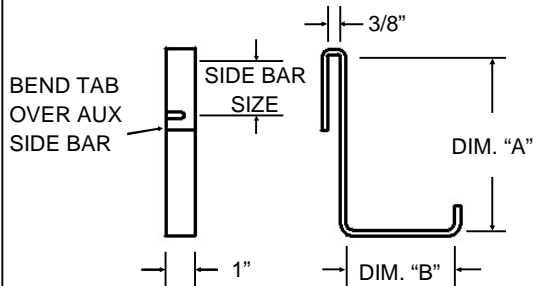
These brackets support cable along a line of 2" x 9/16" x 3/16" auxiliary framing channel. Brackets are formed from 3/16" x 1" steel bar and are finished in telco gray powder coat. These brackets feature a bendable tab for quick and simple installation. Simply squeeze the tab with a pair of pliers and the bracket is secured. Sold individually.



CABLE SUPPORT BRACKETS (RH)					
DIM. A	DIM. B	PART #	DIM. A	DIM. B	PART #
4"	3"	CCFPBR43	6"	4"	CCFPBR64
4"	4"	CCFPBR44	6"	5"	CCFPBR65
4"	5"	CCFPBR45	7"	4"	CCFPBR34
4-1/2"	3-3/8"	CC103165	7"	5"	56190026
5"	4"	CCFPBR54	7"	6"	CCFPBR34
5"	5"	CCFPBR55			

### Power/Armored Cable Support Brackets (From Cable Rack - LH)

These brackets support cable along cable rack. Brackets are manufactured from 3/16" x 1" steel bar and are finished in telco gray powder coat. These brackets feature a bendable tab for quick and simple installation. Simply squeeze the tab with a pair of pliers and the bracket is secured. Sold individually.



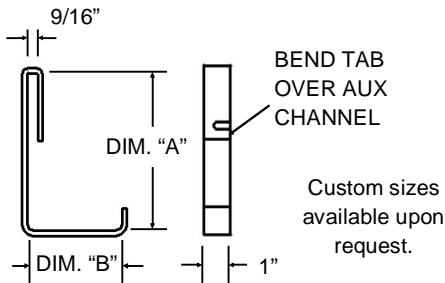
CABLE SUPPORT BRACKETS (LH)							
DIM. A	DIM. B	1-1/2" SIDE BAR	2" SIDE BAR	DIM. A	DIM. B	1-1/2" SIDE BAR	2" SIDE BAR
3"	4"	CC1CBL34	CC2CBL34	5"	4"	CC1CBL54	CC2CBL54
4"	3"	CC1CBL43	CC2CBL43	5"	5"	CC1CBL55	56500111
4"	4"	CC1CBL44	CC2CBL44	6"	4"	CC1CBL64	CC2CBL64
4"	5"	CC1CBL45	CC2CBL45	6"	5"	CC1CBL65	CC2CBL65
4-5/16"	4	CC103222	N/A	7"	4"	CC1CBL74	CC2CBL74
4"	5-5/8"	N/A	CC103049	7"	5"	CC1CBL75	CC103036
4-1/2"	5"	56500109	CC103104	7"	6"	CC1CBL76	CC2CBL76

Custom sizes available upon request.

# WIRE AND CABLE MANAGEMENT

## Power/Armored Cable Support Brackets (From Cable Rack - RH)

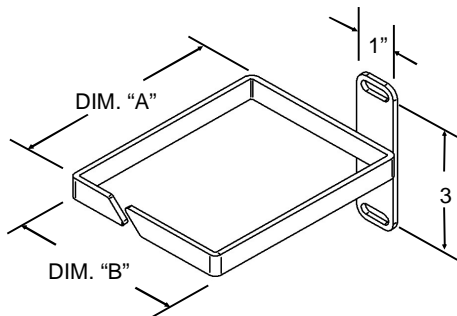
These brackets support cable along cable rack. Brackets are formed from 3/16" x 1" steel bar and are finished in telco gray powder coat. These brackets feature a bendable tab for quick and simple installation. Simply squeeze the tab with a pair of pliers and the bracket is secured. Sold individually.



CABLE SUPPORT BRACKETS (RH)							
DIM. A	DIM. B	1-1/2" SIDE BAR	2" SIDE BAR	DIM. A	DIM. B	1-1/2" SIDE BAR	2" SIDE BAR
4"	3"	CC1CBR43	N/A	5-3/4"	2-7/8"	N/A	CC103034
4"	4"	CC1CBR44	CC2CBR44	6"	4"	CC1CBR64	CC2CBR64
4"	5"	CC1CBR45	CC2CBR45	6"	5"	CC1CBR65	CC2CBR65
4-1/2"	5"	56500108	N/A	6-3/4"	5-3/8"	CC103248	N/A
4-5/8"	3-3/8"		CC103035	7"	4"	CC1CBR74	CC2CBR74
5"	4"	CC1CBR54	CC2CBR54	7"	5"	CC1CBR75	CC103033
5"	5"	CC1CBR55	56500110	7"	6"	CC1CBR76	CC2CBR76
5-3/4"	2-1/4"	N/A	56500085				

## Vertical Wire Retainer

Vertical wire retainers secure to the mounting rail of equipment racks and are used to retain jumper wires in an organized manner. Formed from 1/8" x 1/8" steel bar, these brackets feature a powder coated finish. Retainers include (2) #12-24 x 3/8" mounting screws. Specify color when ordering.



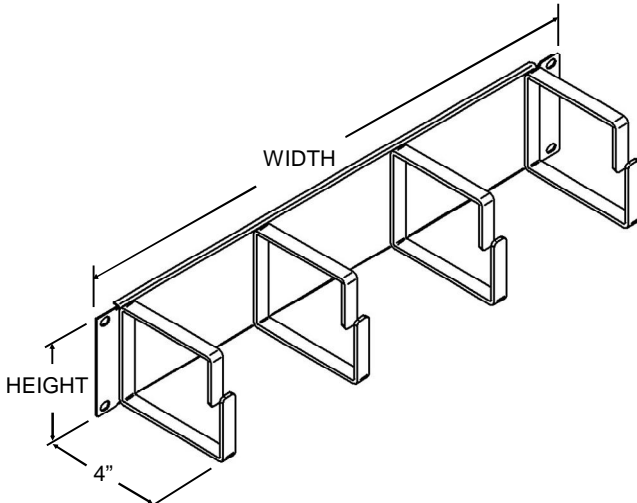
Custom sizes available upon request.

See page 9 for color selection.

VERTICAL WIRE RETAINER		
DIM. "A"	DIM. "B"	PART#
4"	4"	CCVR0404
4"	5"	CC010001
4"	6"	CCVR0406
5"	4"	CCVR0504
5"	5"	CCVR0505
5"	6"	CCVR0506

## Horizontal Wire Manager

These wire managers are available to fit 19" and 23" equipment racks and are available in 1RU or 2RU sizes. Panel is formed from 18 gage Cold rolled steel and wire rings are fabricated from 1/8" x 1/2" steel bar. Mounting hardware sold separately. Durable polyester powder coat finish. Specify color when ordering.



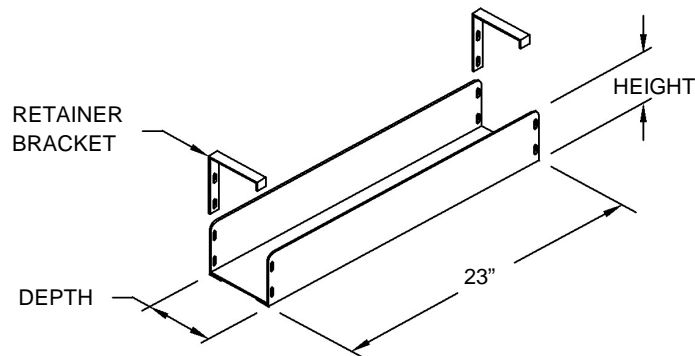
HORIZONTAL WIRE MANAGER		
HEIGHT	19" WIDTH	23" WIDTH
1RU	CCMW1419	CCMW1423
2RU	CCMW2419	CCMW2423

Custom sizes available upon request.

## WIRE AND CABLE MANAGEMENT

### Lower Cable Troughs and Extenders

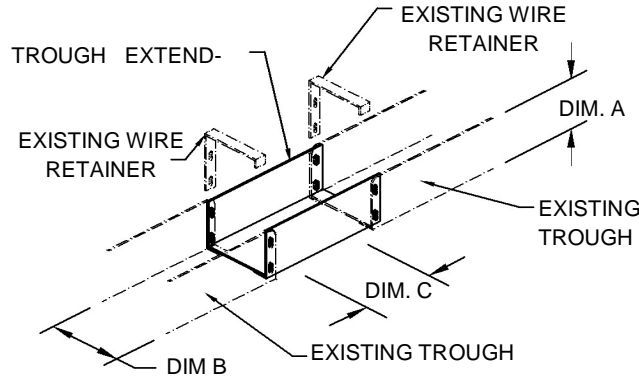
These troughs organize wire and cable on 23" UEF and Network bays. Troughs are fabricated from 14 gage steel and include mounting hardware and retainer brackets. Mounting slots for EIA wide (1-3/4") and WECO (2") hole spacing. Troughs are custom fabricated to order. Please contact us with height and depth and color for details.



SEE PAGE 9 FOR AVAILABLE COLOR OPTIONS

### Cable Trough Extenders

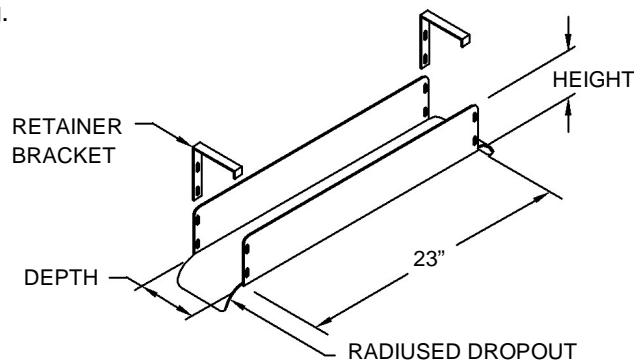
Cable trough extenders bridge the distance between troughs mounted to equipment racks. Extenders utilize existing hardware and retainer brackets from cable troughs. Extenders are fabricated from 14 gage steel and feature a powder coated finish. Trough extenders are custom built to order. Contact us with height, depth and distance between bays for details. Specify color when ordering.



SEE PAGE 9 FOR AVAILABLE COLOR OPTIONS

### Upper Cable Trough Assemblies

These troughs organize wire and cable on 23" UEF and Network equipment racks. Radiused drop-outs at each end provide a smooth cable transition from horizontal to vertical direction. Troughs include mounting hardware and wire retainer brackets. Mounting holes will accommodate EIA wide (1-3/4") and WECO (2") hole spacing. Upper cable trough assemblies are custom built to order. Please contact us with depth and height for details. Specify color when ordering.



SEE PAGE 9 FOR AVAILABLE COLOR OPTIONS

# WIRE AND CABLE MANAGEMENT

## Scrap Wire Bags

When installing electrical components in lineups, small pieces of scrap are produced while trimming wires to length. Rather than allow the wire to simply fall on the floor, or worse yet, into an electronic enclosure, these handy scrap wire bags provide a convenient and effective method of containing the bits and pieces for collection. These bags are packaged complete with a handy metal frame which allows for securing to a ladder. These bright orange bags are available with telco gray or safety yellow frame. Frames and bags are also available separately.



BAG WITH FRAME

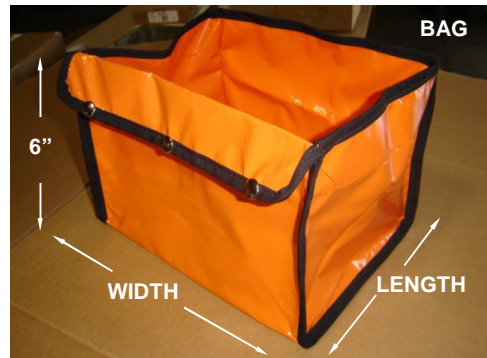
### SCRAP WIRE BAG WITH FRAME

LENGTH	WIDTH	DEPTH	FRAME COLOR	PART #
8"	10"	6"	GRAY	CCWB0810-G
8"	10"	6"	YELLOW	CCWB0810-Y

## Scrap Wire Bins

These handy bins allow for collection and containment of large quantities of scrap wire for the purpose of maintaining a clean and safe work environment and also to facilitate easy pickup of scrap for recycling purposes. Bins feature a fully welded outer shell with a removable feed insert which will accommodate commonly available scrap wire recycling bags. These bins are shipped with 3" diameter casters to be installed by the customer. Color options are telco gray or safety yellow powder coat.

- All steel construction
- Hinged top with fusible link safety feature 165°F rating.
- Hinged door with spring loaded latch
- Dimensions: 16"W X 16"D X 42"H (with casters installed and top closed)



BAG

WIDTH

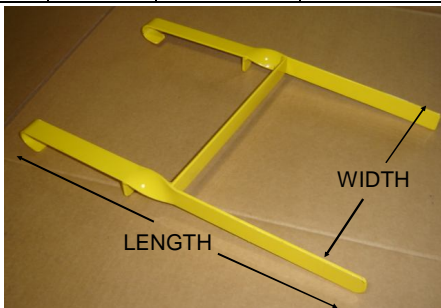
LENGTH

### SCRAP WIRE BAG ONLY

LENGTH	WIDTH	DEPTH	COLOR	PART #
8"	10"	6"	ORANGE	CCWB0810-2

### SCRAP WIRE FRAME ONLY

LENGTH	WIDTH	FRAME COLOR	PART#
8"	10"	GRAY	CCWB0810-1-G
8"	10"	YELLOW	CCWB0810-1-Y



WIDTH

LENGTH

### SCRAP WIRE BIN

WIDTH	DEPTH	HEIGHT	COLOR	PART#
16"	16"	42"	TELCO GRAY	CCWB3800-G
16"	16"	42"	YELLOW	CCWB3800-Y

