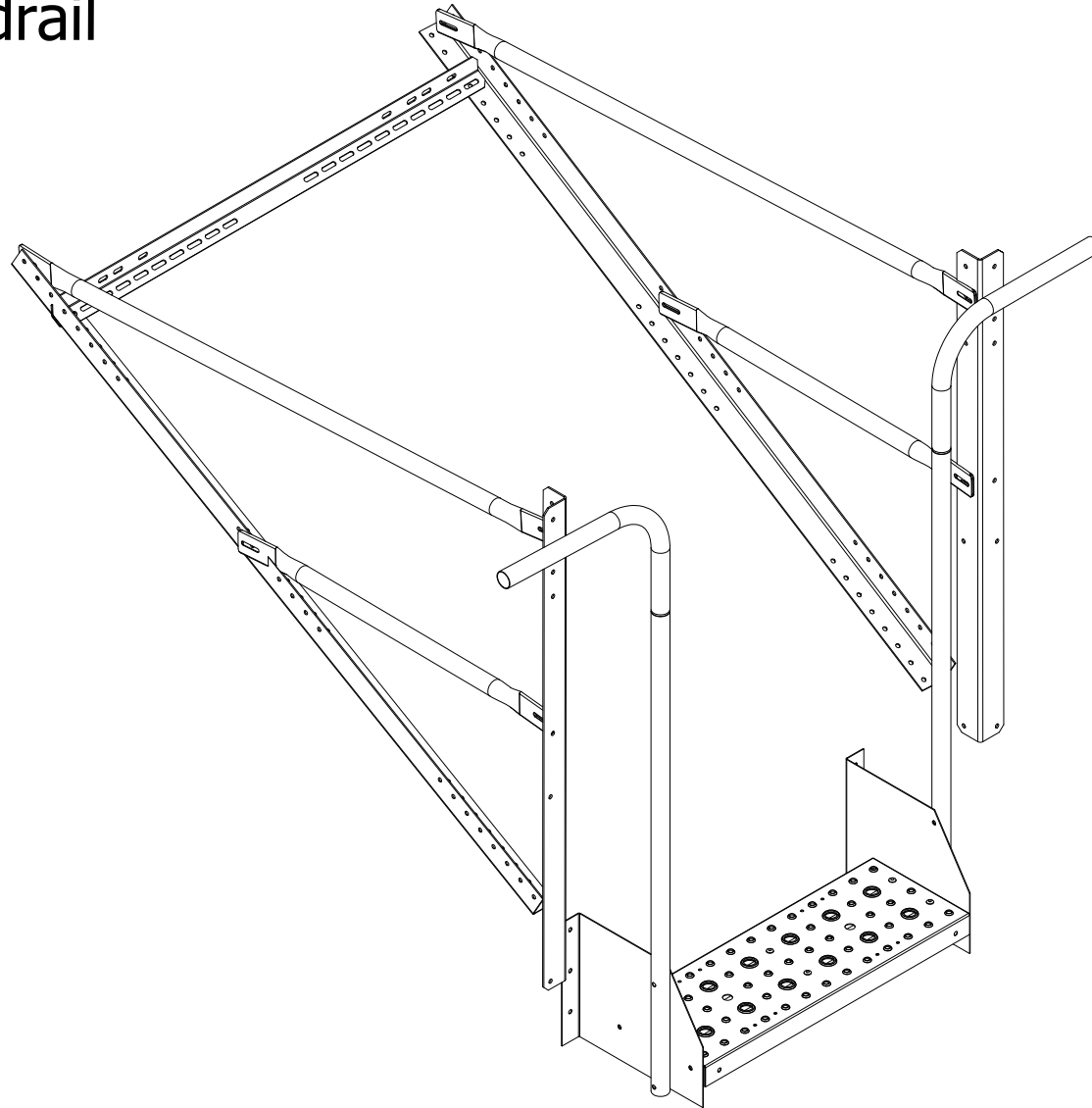
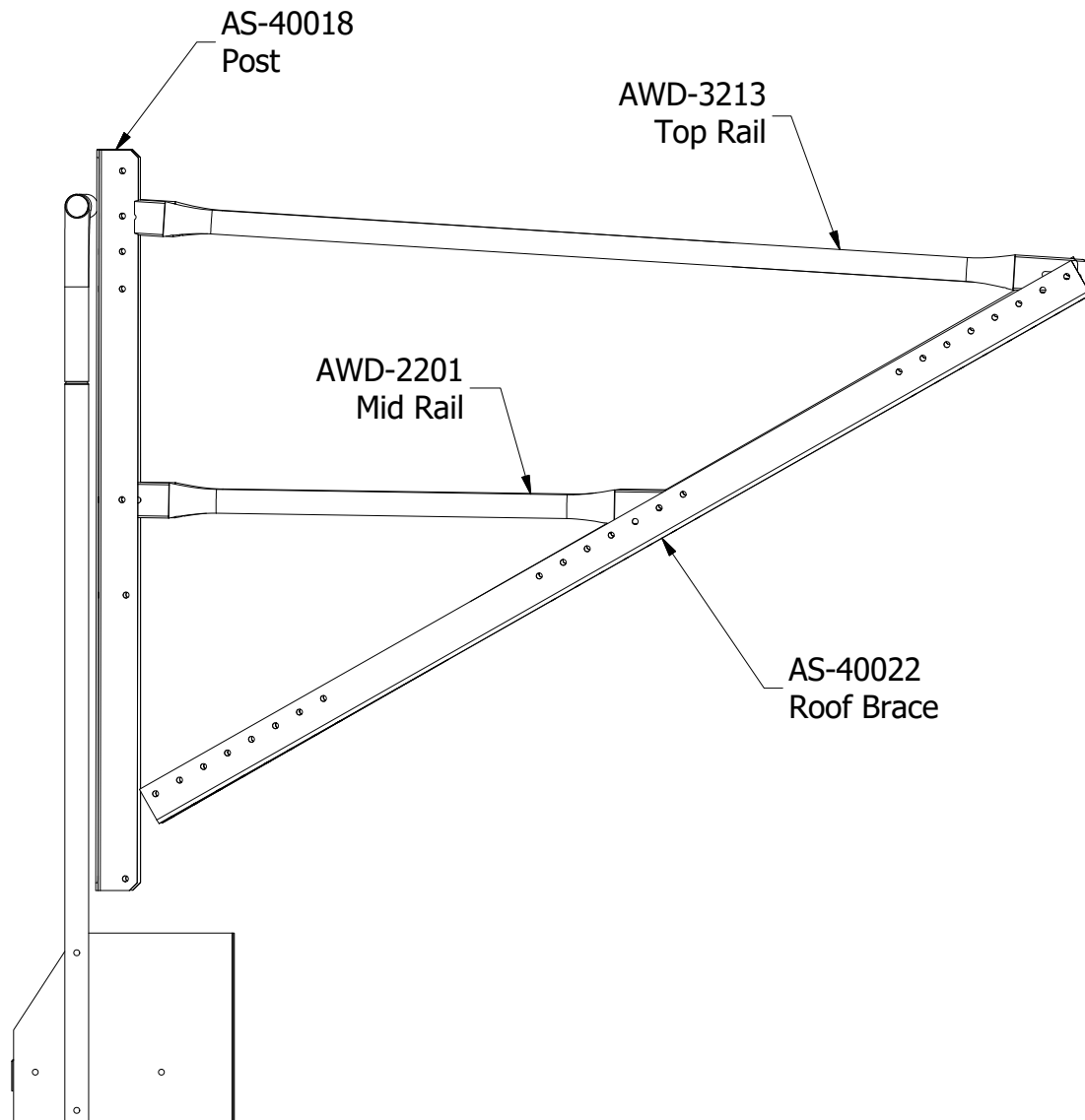


# AWT51450 Manhole Guardrail



Greene Galvanized Stairs

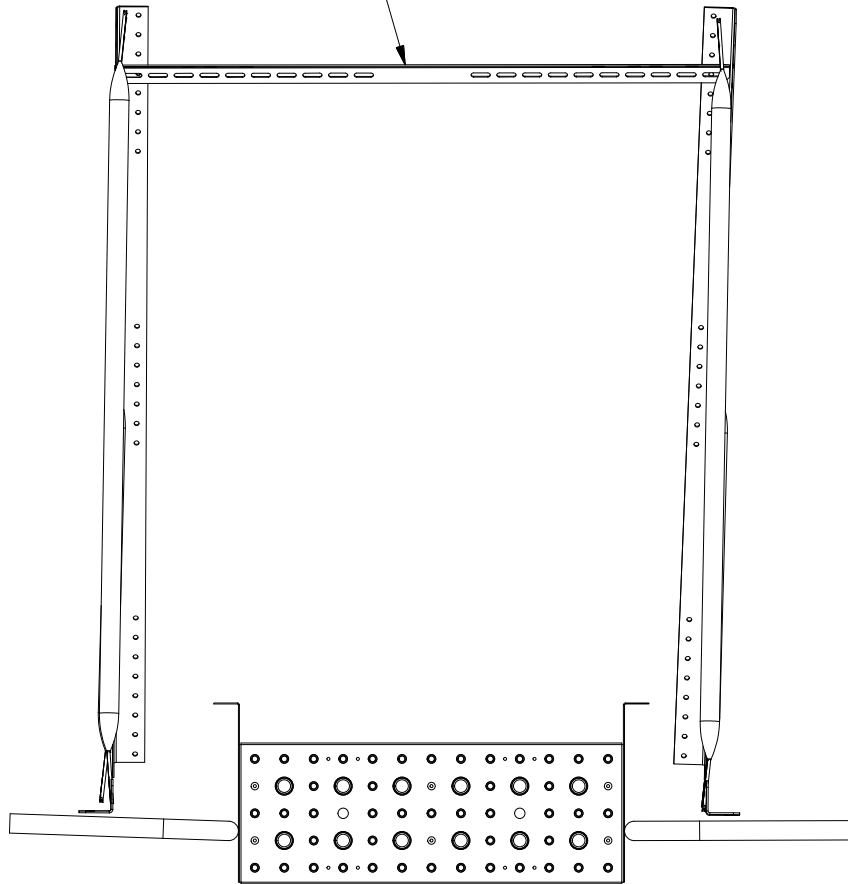
DRAWN Marcus Wilmsmeyer	6/25/2018	Greene Galvanized Stairs East Lynn, IL 217.375.4244 www.greenebinstairs.com	
CHECKED		TITLE	
QA		AWT51450 Assembly Instructions	
MFG		SIZE A	DWG NO IN-AWT51450
APPROVED		SCALE 1/15	REV
			SHEET 1 OF 4



- A. Assemble the AS-40018 post, AWD-3213 top rail, AWD-2201 mid rail, and AS-40022 roof brace as shown.
- B. Secure all in place with five (5) 5/16" Flange Bolts and five (5) 5/16" Lock Nuts.
- C. Repeat for the opposite side.

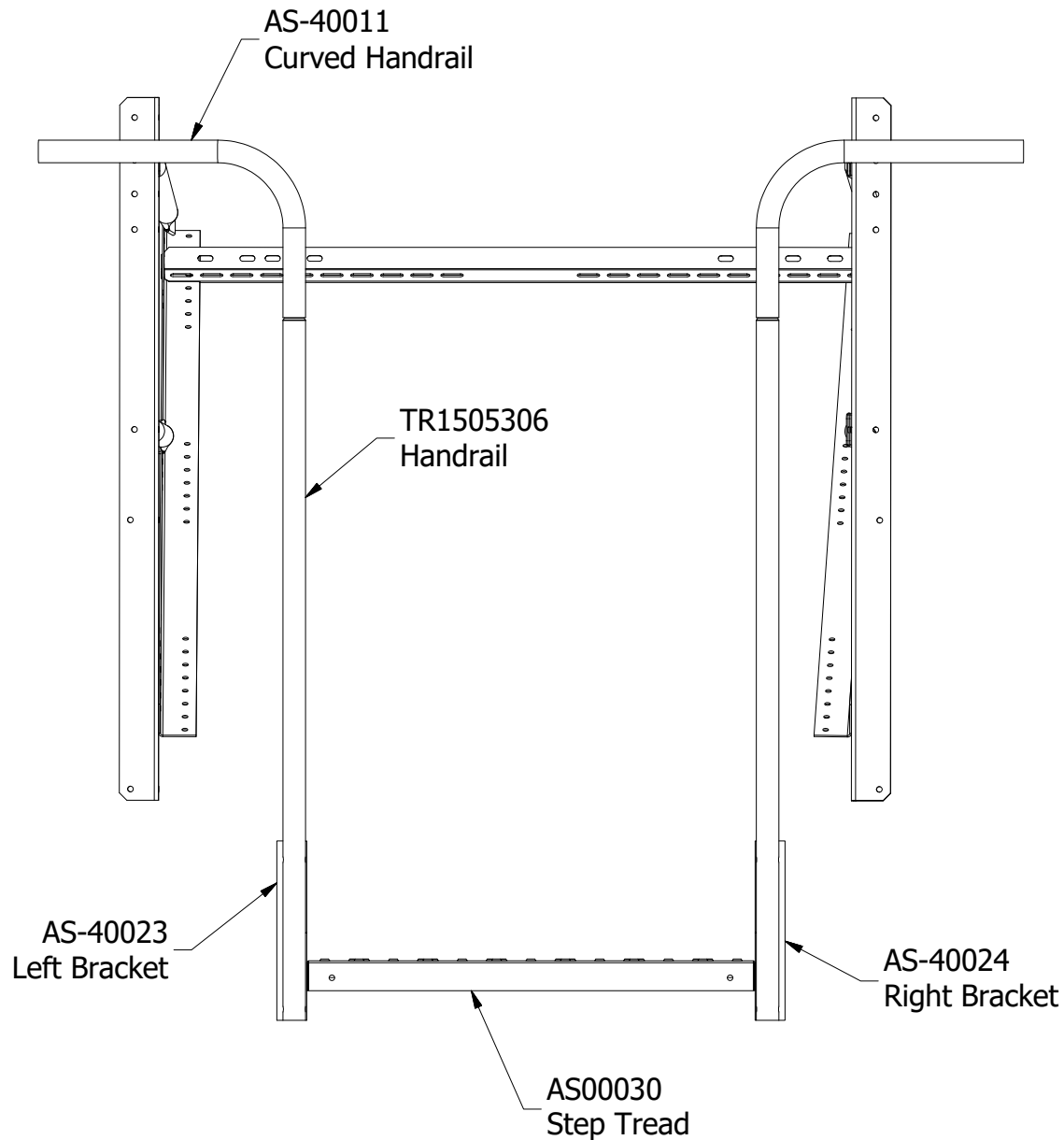
DRAWN Marcus Wilmsmeyer	6/25/2018	Greene Galvanized Stairs East Lynn, IL 217.375.4244 www.greenebinstairs.com		
CHECKED		TITLE		
QA		AWT51450 Assembly Instructions		
MFG		SIZE A	DWG NO IN-AWT51450	REV
APPROVED		SCALE 1/12	SHEET 2	OF 4

ES-5015  
Roof Mount



- A. Position the ES-5015 brace on the roof ribs such that it will not interfere with the Manhole Guardrail assembly and an opened or closed manhole hatch.
- B. Secure to the roof using two (2) 3/8" bolts and two (2) 3/8" Lock Nuts.
- C. Attach the two siderail assemblies built in the previous step to the ES-5015 roof mount. Secure in place using two (2) 5/16" Flange Bolts and two (2) 5/16" Lock Nuts.

DRAWN Marcus Wilmsmeyer	6/25/2018	Greene Galvanized Stairs East Lynn, IL 217.375.4244 www.greenebinstairs.com		
CHECKED		TITLE		
QA		AWT51450 Assembly Instructions		
MFG		SIZE	DWG NO	REV
APPROVED		A	IN-AWT51450	
		SCALE	1/15	SHEET 3 OF 4



- A. Attach the two AS-40018 posts to the matching posts on the inside of the AWT8644 platform, using four (4) 5/16" Flange Bolts and four (4) 5/16" Lock Nuts.
- B. Assemble the AS-40023 bracket, AS00030 Step Tread, and AS-40024 bracket together, using four (4) 5/16" Flange Bolts and four (4) 5/16" Lock Nuts.
- C. Secure the booster step assembly to the bin wall using four (4) Bin Bolts and four (4) Lock Nuts.
- D. Secure handrails TR150536 and AS-40011 to the assembly using four (4) HRC1500 handrail clamps and four (4) 5/16" Flange Bolts and four (4) 5/16" Lock Nuts.

DRAWN Marcus Wilmsmeyer	6/25/2018	Greene Galvanized Stairs East Lynn, IL 217.375.4244 www.greenebinstairs.com	
CHECKED		TITLE	
QA		AWT51450 Assembly Instructions	
MFG		SIZE	DWG NO
APPROVED		A	IN-AWT51450
		SCALE	REV
		1/12	
		SHEET	4 OF 4