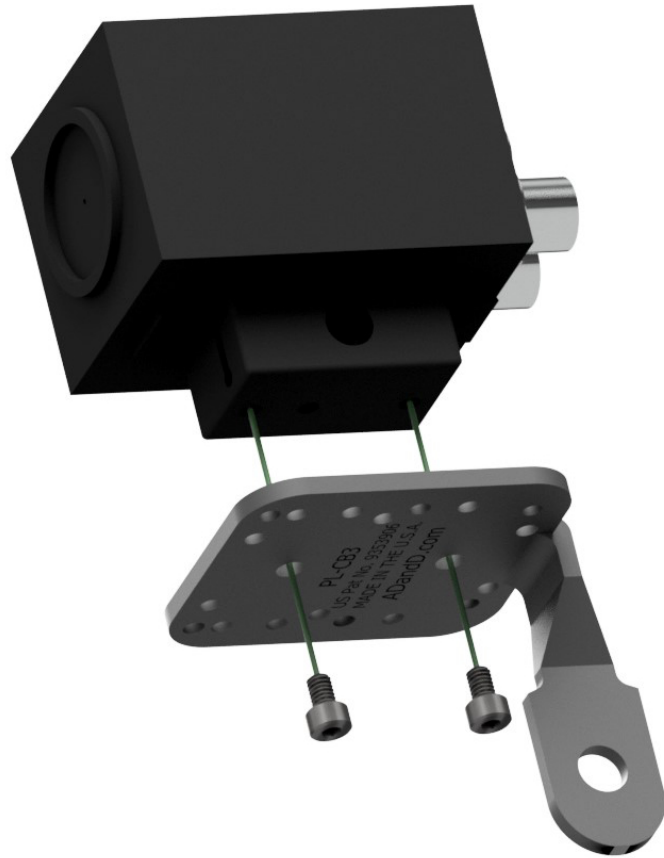


ADandD P/N PL-CB3

Mounting for Sensoport V20 Series Sensor

Mounts with included (2) S.H.C.S - M4-0.7mm X 6mm 18-8SS



Sample Setup Application

