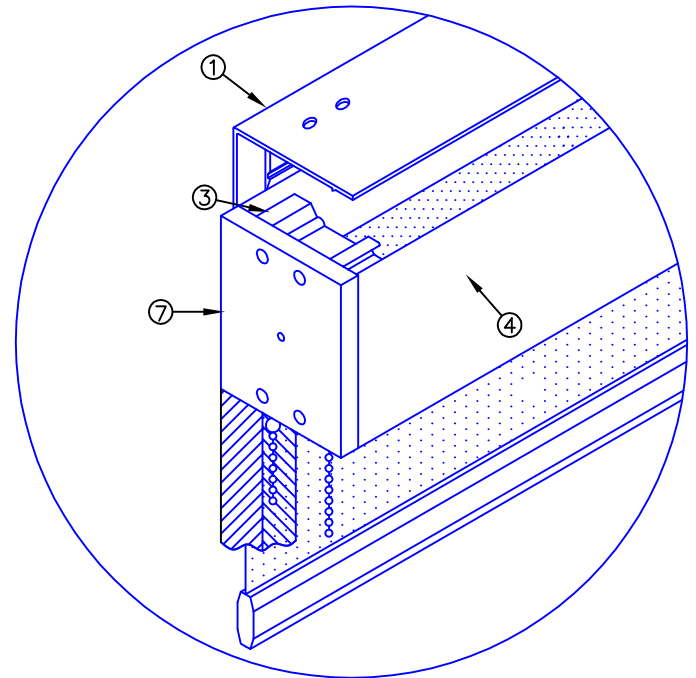
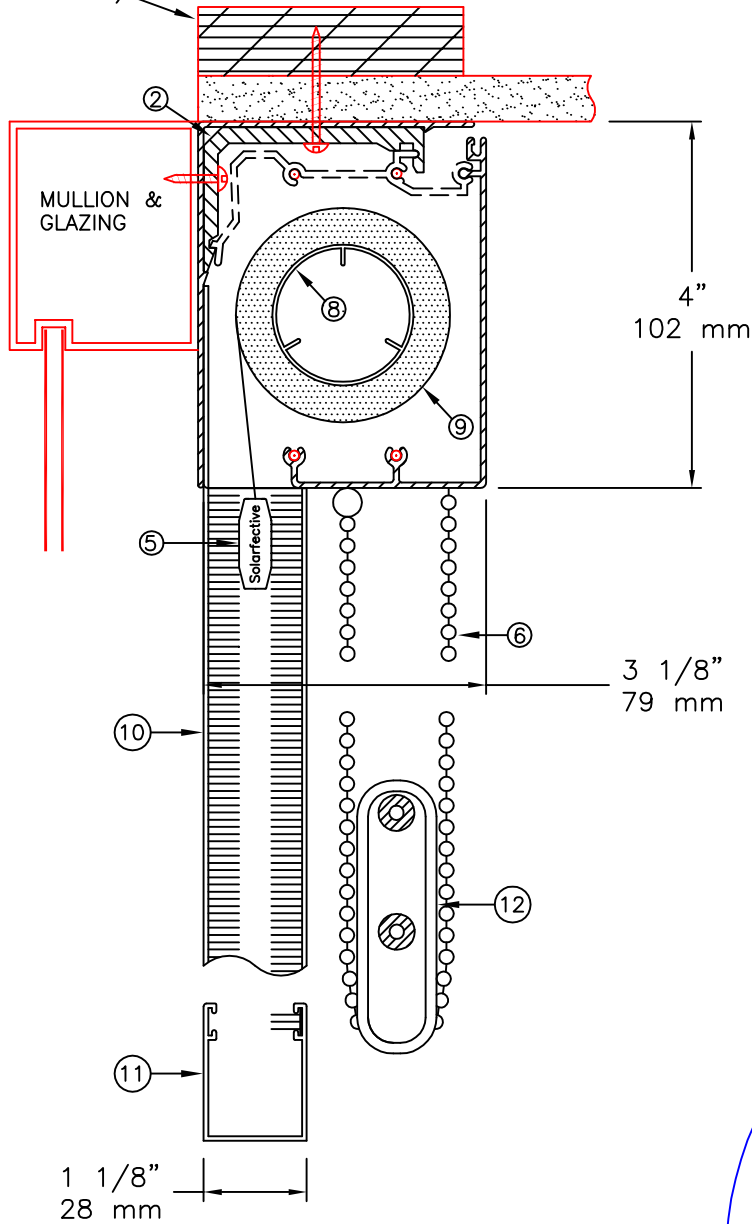


3/4" PLYWOOD  
BLOCKING  
(BY OTHERS)

THE TELESHADE CAN BE MOUNTED  
TO THE CEILING OR TO THE  
FACE OF THE MULLION



**NOTES:**

1. CLEAR ANODIZED EXTRUDED ALUMINUM BACK FASCIA
2. MOUNTING ANGLE
3. SPRING CLIP
4. BLACK EXTRUDED ALUMINUM FASCIA
5. BLACK EXTRUDED ALUMINUM EXTERIOR HEMBAR
6. STAINLESS STEEL BALL CHAIN
7. ABS END BRACKETS
8. 1 1/2" Ø EXTRUDED ALUMINUM TUBE
9. FABRIC: 1%, 3%, 5%, 10% OPENNESS OR BLACKOUT
10. BLACK MANUAL BLACKOUT SIDE CHANNELS
11. BLACK MANUAL BLACKOUT BOTTOM CHANNELS
12. CHAIN RETAINER

**Solarfective**

55 Hymus Road, Scarborough  
Ontario, Canada. M1L 2C6

Tel. (416) 421-3800  
Fax. (416) 421-8424

Web Site: [www.solarfective.com](http://www.solarfective.com)  
Email: [shades@solarfective.com](mailto:shades@solarfective.com)

TELESHADE SYSTEM WITH BACK FASCIA  
SIDE AND BOTTOM CHANNELS

PROJECT: —

DATE:  
JAN. 01, 2015

SCALE:  
N.T.S.

FILE No.  
—

DRAWN:  
ADIE

DWG. No.  
RD-20

REV  
0