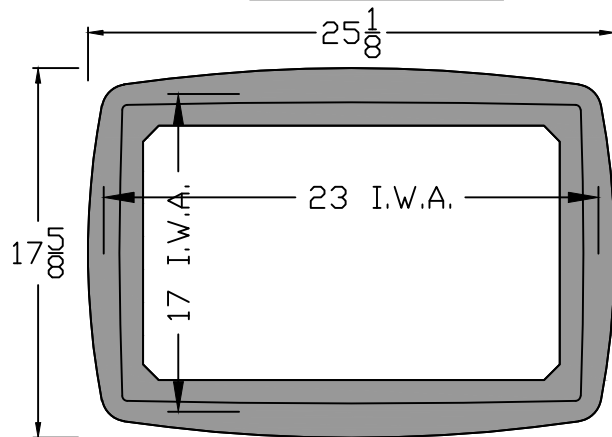


| BODY KEY | |
|----------|-----------------------|
| 12 | 12" DEEP |
| 4 | GRAY COLOR - PMS 414C |

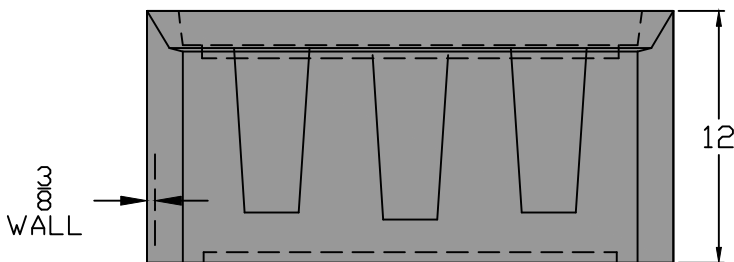
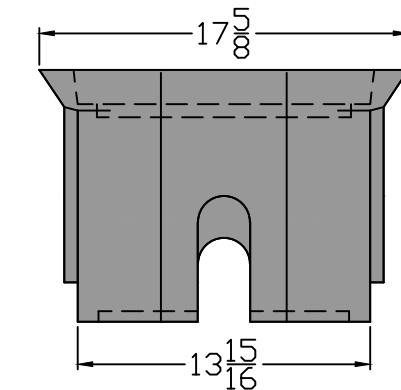
| LID KEY | |
|---------|-----------------------|
| 4 | GRAY COLOR - PMS 414C |
| T | TOUCH READ HOLE |

Ø4 5/8 x 1/4 DEEP RECESS FOR AMR PAD
W/ Ø1.88 x 2.50 SLOT KNOCK OUT FOR AMR

DFWA2C-4T-LID



DFWA2C4-12-4T



DFWA2C4-12-BODY

NOTES

- 1) DIM'S ± 1/8" U.N.O.
- 2) LID MATERIAL: HDPE
- 3) BODY MATERIAL: LLDPE
- 4) WALL THICKNESS: 3/8" ± 5%
- 5) I.W.A. = INSIDE WORK AREA

DFW PLASTICS, INC. ENGAGES IN ONGOING RESEARCH AND DEVELOPMENT TO IMPROVE AND ENHANCE ITS PRODUCTS. THEREFORE, DFW PLASTICS, INC. RESERVES THE RIGHT TO CHANGE PRODUCT OR SYSTEM SPECIFICATIONS WITHOUT NOTICE.



DFW PLASTICS, INC.
PO BOX 648
BEDFORD, TEXAS 76095
(817) 439-3600
(817) 439-3700 (f)
www.dfwplasticsinc.com

DFWA2C4-12-4T

CREATED: 09/04/2015

UPDATED: 09/04/2015

ACCEPTED: JMc

DRAWN BY: RMc

PLOT SCALE: 1:8