

Mid Roof Handrail

US Patent: 8,595,990

- 1 1/2" Tube Handrail with formed ends makes for a secure and stable grip (fig. 1)
- Formed angle intermediate rail
- Mounted on 2 continuous rings allowing the inside ring to act as a built in kickboard (fig. 2)
- 1 section equals 1' of diameter, for example, a 24' handrail diameter requires 24 sections of MRH001
- Entry Sections available, add one for each transition through the handrail (fig. 3, back)
- Brand specific mounting brackets bolt directly into existing rib holes
- Order 1 roof mount per roof panel , never more than 2 per section of MRH001 (fig. 3, back)

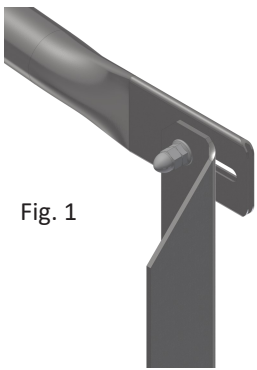


Fig. 1

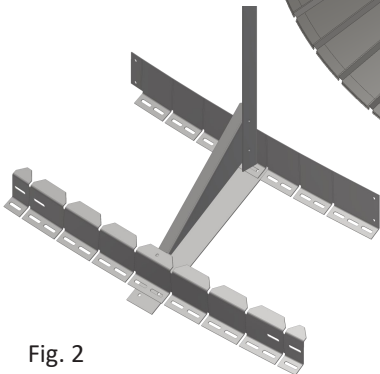
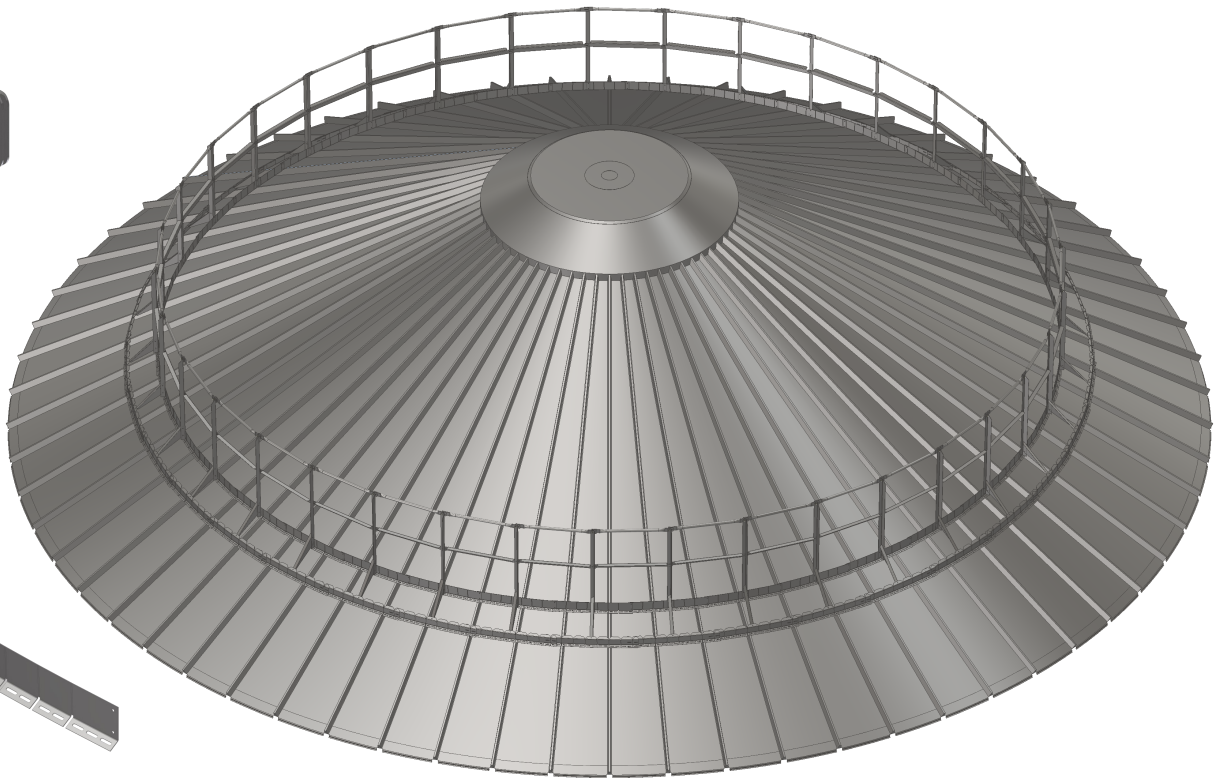
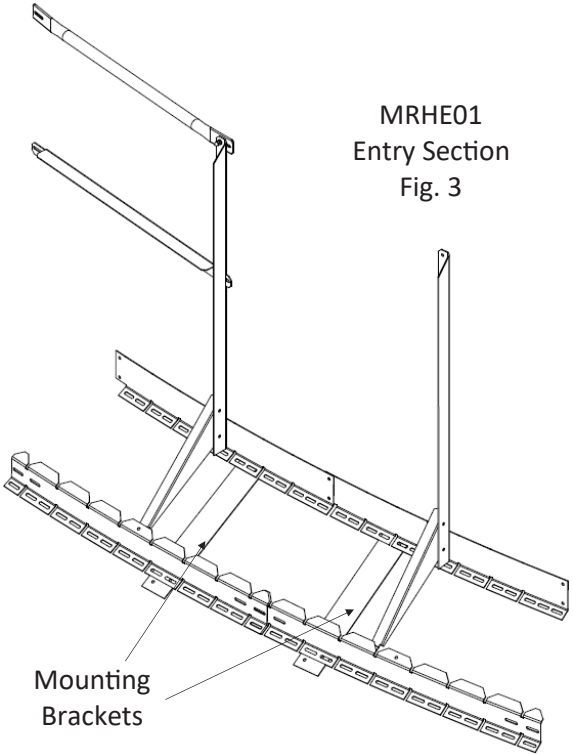
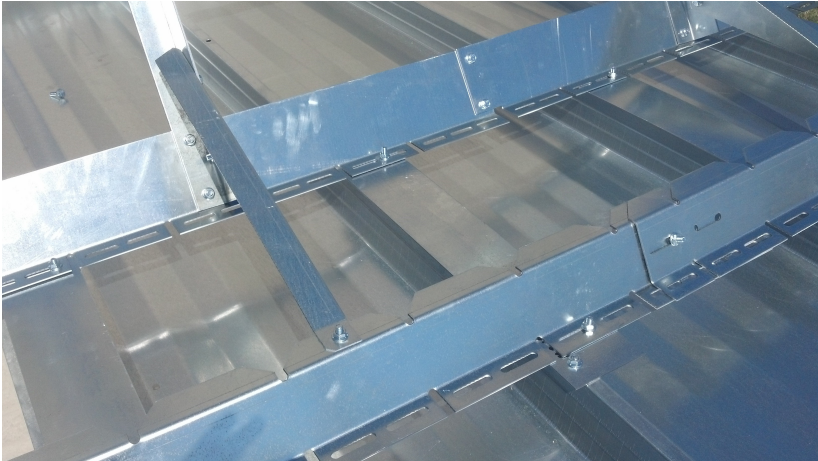
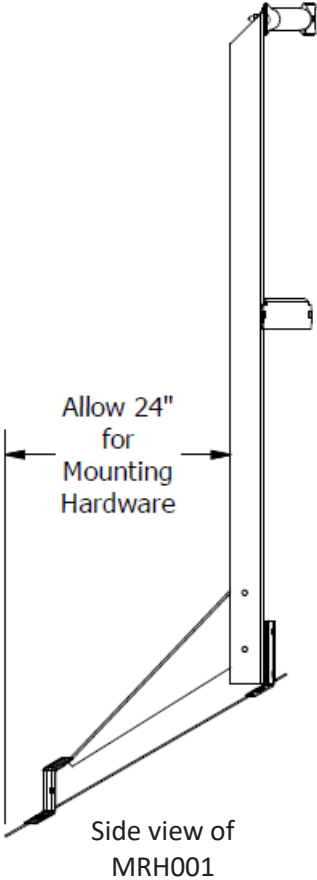


Fig. 2



Mid Roof Handrail

US Patent: 8,595,990



Greene Galvanized Stairs
41774 Main Street; PO Box 191
East Lynn IL 60932
Phone: 217-375-4244 Fax: 217-375-4245
Web: www.greenestairs.com

The logo for Greene Galvanized Stairs features the word 'GREENE' in large, bold, black letters with a stylized staircase graphic integrated into the letter 'E'. Below it, the words 'GALVANIZED STAIRS' are written in a smaller, bold, black font.