



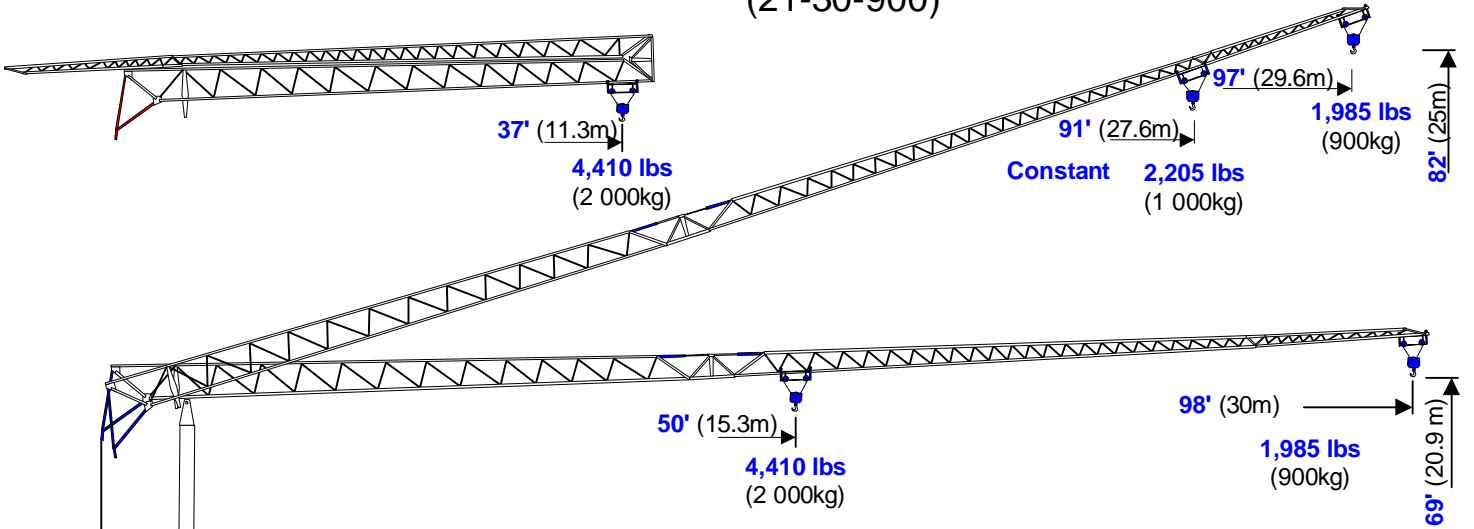
benazzato

Self-Erecting Crane

2098 (206)

69' - 98' - 1,985 lbs

(21-30-900)

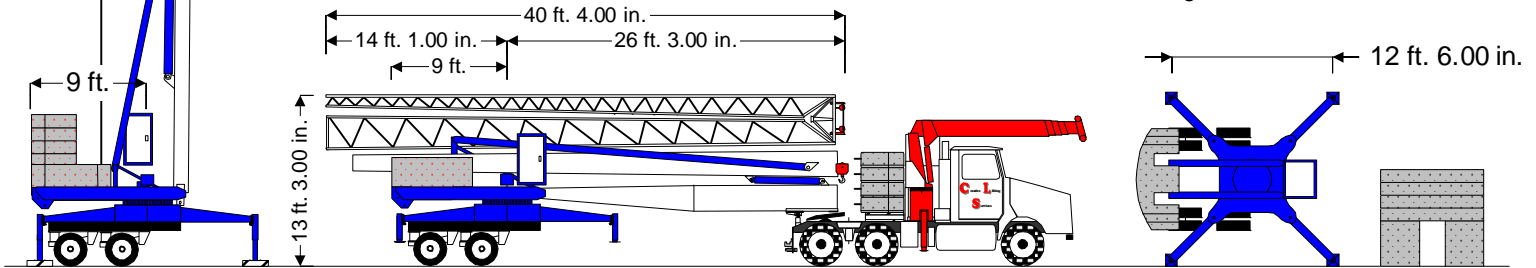


Power Requirements

Single Phase OR Three Phase
240V or 480V

Crane Weight: 22,490 lbs
 Base Ballast X 2 8,820 lbs
 Axles 4,500 lbs
 Total Towed Weight: 44,630 lbs

Crane Weight: 22,490 lbs
 Base Ballast X 2 8,820 lbs
 Ballast Blocks X 4 3,860 lbs
 Total Ballast: 33,080 lbs
 Axles 4,500 lbs
 Total Erected Weight: 60,070 lbs



| Hook | ft. | 50 | 52 | 59 | 66 | 72 | 79 | 85 | 92 | 98 |
|--------------------|--------|-------|-------|-------|-------|-------|-------|-------|-------|-------|
| Radius | meters | 15.3 | 16 | 18.0 | 20.0 | 22.0 | 24.0 | 26.0 | 28.0 | 30.0 |
| Maximum Capacities | lbs. | 4,410 | 4,145 | 3,616 | 3,197 | 2,867 | 2,580 | 2,359 | 2,161 | 1,985 |
| | tonnes | 2.00 | 1.88 | 1.64 | 1.45 | 1.30 | 1.17 | 1.07 | 0.98 | 0.90 |