



# GLASS SCHEDULE

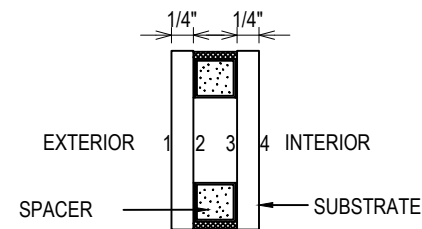
GLAZING TYPE	DESCRIPTION
GL1	1/4" CLEAR TEMPERD
GL2	1/2" CLEAR TEMPERED
GL3	1" INSULATED VISION - 1/4" CLEAR TEMPERED W/ LOW-E ON #2 SURFACE - 1/2" AIR SPACE (BLACK SPACER) - 1/4" CLEAR TEMPERED
GL3A	1" INSULATED VISION - 1/4" ACUITY TEMPERED W/ LOW-E ON #2 SURFACE - 5/8" AIR SPACE (ACOUSTICAL SPACER) - 1/4" ACUITY TEMPERED
GL4	1" INSULATED VISION - 1/4" CLEAR HEAT STRENGTHENED W/ LOW-E ON #2 SURFACE - 1/2" AIR SPACE (BLACK SPACER) - 1/4" CLEAR HEAT STRENGTHENED
GL5	1" INSULATED SPANDREL - 1/4" CLEAR HEAT STRENGTHENED W/ LOW-E ON #2 SURFACE - 1/2" AIR SPACE (BLACK SPACER) - 1/4" CLEAR HEAT STRENGTHENED W/ CERAMIC FRIT ON #3
GL6	3/4" CLEAR TEMPERED

**ARCH/GC GLASS NOTES:**

ALL GLAZING TYPES LISTED HERE ARE BASIC DESCRIPTIONS.  
REFERENCE SPRINGFIELD GLASS CO. SEPARATE SUBMITTALS FOR A COMPLETE GLASS SCHEDULE.

ARCHITECT TO CHOOSE GLASS TINT AND MAKE UP FROM PROVIDED SAMPLES.

GLASS SURFACE ILLUSTRATION:



## WINDOW SYSTEMS:

**INTERIOR STOREFRONT:**

KAWNEER TRIFAB VG 450 - 2" X 4 1/2"  
CENTER SET STOREFRONT TO ACCEPT 1/4" GLASS

KAWNEER 1010 INTERIOR SLIDERS  
TO ACCEPT 1/4" GLASS

**EXTERIOR STOREFRONT:**

KAWNEER TRIFAB VG 451T - 2" X 4 1/2" THERMALLY BROKEN  
FRONT SET STOREFRONT TO ACCEPT 1" GLASS

KAWNEER TRIFAB VG 451T STICK FABRICATION SSG - 2" X 4 1/2" THERMALLY BROKEN  
FRONT SET STOREFRONT TO ACCEPT 1" GLASS

**CURTAINWALL:**

KAWNEER 1600 2 1/2" X 6" (& 7 1/2")  
TO ACCEPT 1" GLASS

**EXTERIOR DOORS:**

KAWNEER MEDIUM STILE DOORS WITH STANDARD TOP RAIL AND 10" BOTTOM RAIL  
TO ACCEPT 1" GLASS @ EXTERIOR  
TO ACCEPT 1/4" GLASS @ INTERIOR

**FINISH:**

CLEAR ANODIZED (ALL CURTAINWALL AND STOREFRONT)

SATIN ANODIZED (ALL-GLASS FRAMING)



**GENERAL NOTES:**

- 1) SPRINGFIELD GLASS CO. WILL SUPPLY BRAKE METAL AS INDICATED ON THESE SHOP DRAWINGS. ALL OTHER METAL TRIM IS BY OTHERS.
- 2) SPRINGFIELD GLASS CO. WILL SUPPLY A CONTINUOUS BEAD OF EXTERIOR CAULKING AROUND THE ENTIRE PERIMETER OF ALL STOREFRONT FRAMES.
- 3) SEE SEPARATE SUBMITTAL FOR AIRFOIL SUNSHADE. SEE ELEVATION PAGES FOR LOCATIONS.

1ST SUBMISSION	01.07.20
1ST REVISION	01.23.20
2ND REVISION	03.11.20
DESCRIPTION	DATE
DRAWING SUBMISSION	

SPRINGFIELD GLASS COMPANY  
2503 NORTH OAK GROVE AVE.  
SPRINGFIELD, MO 65803  
P: 417.883.6555

PROJECT: INNOVATIVE DENTAL CENTER FOR GENERAL & ADVANCED DENTISTRY  
LOCATION: 3192 E. FARM ROAD 188 SPRINGFIELD, MO 65721

DRAWN BY:	DATE:
RA	01.07.20
CHECKED BY:	DATE:
TF	01.07.20

# DOOR SCHEDULE

DOOR	SIZE	HAND	DOOR TYPE	FRAME	FRAMING	HARDWARE	LOCATION
101A	3'-0" X 7'-0"	RH-HLSO	ALUM.	F3	451	1	DELIVERY ENTRY 101
104	3'-0" X 7'-0"	RH-HRSI	WOOD (N.B.S.G.)	F1.5	450	17	DELIVERY STORAGE 104
105	3'-0" X 7'-0"	LH-HLSI	WOOD (N.B.S.G.)	F1.6	450	18	STAFF RESTROOM 105
112	5'-10" X 7'-2"	SLIDING	ALUM.	F19	1010	9	TREATMENT COORD. 112
114	13'-8" X 7'-2"	SLIDING	ALUM.	F4	1010	9	OPERATORY 114
120	5'-10" X 7'-2"	SLIDING	ALUM.	F19	1010	9	TREATMENT COORD. 120
120A	5'-10" X 7'-2"	SLIDING	ALUM.	F19	1010	9	RELAXATION ROOM 120A
125A	6'-0" X 8'-0"	PRSO	ALL-GLASS	F5	1600 (7 1/2")	7	△ VESTIBULE 125
125B	6'-0" X 8'-0"	PRSO	ALL-GLASS	F6	450	7	△ VESTIBULE 125
132A	3'-0" X 8'-9 3/4"	LH-HRSO	ALUM.	F7	451	3	NEW PATIENT LNGE. 132
132B	3'-0" X 8'-9 3/4"	RH-HLSO	ALUM.	F8	451	3	NEW PATIENT LNGE. 132
140	3'-0" X 7'-0"	RH-HRSI	WOOD (N.B.S.G.)	F1.5	450	20	MEN'S 140
140A	2'-6" X 7'-0"	RH-HLSO	WOOD (N.B.S.G.)	F1.8	450	17	MEN'S 140
141	3'-0" X 7'-0"	LH-HLSI	WOOD (N.B.S.G.)	F1.6	450	20	WOMEN'S 140
146	5'-10" X 7'-2"	SLIDING	ALUM.	F19 OPP.	1010	9	TREATMENT COORD. 146
146A	5'-10" X 7'-2"	SLIDING	ALUM.	F19 OPP.	1010	9	RELAXATION ROOM 146A
151A	2'-6" X 7'-0"	LH-HLSI	WOOD (N.B.S.G.)	F1.10	450	17	STORAGE 151A
157	15'-1 1/2" X 7'-2"	SLIDING	ALUM.	F9	1010	9	OPERATORY 157
160	3'-0" X 7'-0"	RH-HRSI	WOOD (N.B.S.G.)	F1.5	450	18	STAFF RESTROOM 160
161	3'-0" X 7'-0"	LH-HLSI	WOOD (N.B.S.G.)	F1.6	450	17	LAB 161
162	3'-0" X 7'-0"	RH-HRSI	WOOD (N.B.S.G.)	F1.5	450	17	SERVER/DATA 162
164A	6'-0" X 8'-9 5/8"	PRSO	ALUM.	F10	451	4	CORRIDOR 164
164B	6'-0" X 8'-9 5/8"	PRSO	ALUM.	F10	451	4	CORRIDOR 164
165	6'-0" X 8'-0"	PRSO	ALL-GLASS	W28.1	--	3	CONFERENCE ROOM 165
166	3'-0" X 7'-0"	LH-HRSO	WOOD (N.B.S.G.)	F1.4	450	14	CORRIDOR 166
170	6'-0" X 7'-0"	PRSO	ALUM.	F11	450	8	STAFF ENTRY 170
171	6'-0" X 7'-0"	PRSO	ALUM.	F18	1600 (7 1/2")	5	STAFF ENTRY VEST. 171
200B	3'-0" X 7'-0"	LH-HRSO	ALUM.	F1.1	451	6	CORRIDOR 200
202	3'-0" X 7'-0"	RH-HLSO	WOOD (N.B.S.G.)	F13	450	21	VIP SUITE 202
202A	3'-0" X 7'-0"	RH-HRSI	WOOD (N.B.S.G.)	F1.5	450	22	RESTROOM 202A
202B	2'-6" X 7'-0"	LH-HRSO	WOOD (N.B.S.G.)	F1.7	450	17	CLOSET 202B

**DOOR NOTES:**

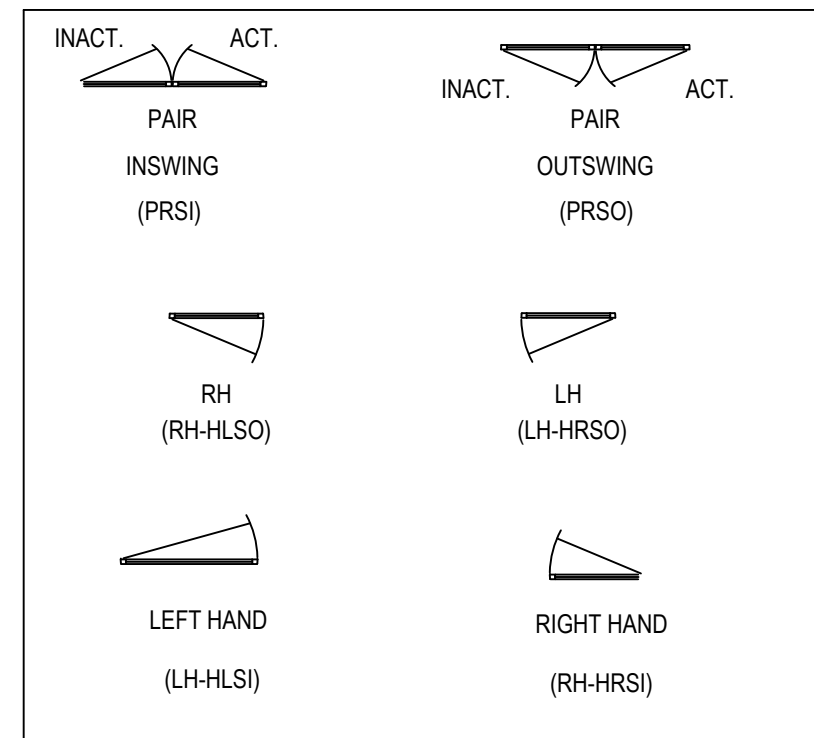
1) EXTERIOR ALUMINUM STOREFRONT DOORS ARE TO BE KAWNEER MEDIUM STILE (1 3/4" THICK) WITH 3 1/2" TOP RAIL AND 10" BOTTOM RAIL. TO RECIEVE 1" INSULATED GLASS.

2) INTERIOR ALUMINUM STOREFRONT DOORS ARE TO BE KAWNEER MEDIUM STILE (1 3/4" THICK) WITH 3 1/2" TOP RAIL AND 10" BOTTOM RAIL. TO RECIEVE 1/4" TEMPERED GLASS.

3) SLIDING DOORS IS TO BE KAWNEER 1010, TO RECIEVE 1/4" TEMPERED GLASS.

4) WOOD DOORS ARE NOT BY SPRINGFIELD GLASS CO.

5) ALL GLASS DOOR TO BE 1/2" GLASS.



01.07.20	DATE
01.23.20	DATE
03.11.20	DATE
1ST SUBMISSION	DRAWING SUBMISSION
1ST REVISION	
2ND REVISION	

**SPRINGFIELD GLASS COMPANY**  
 2503 NORTH OAK GROVE AVE.  
 SPRINGFIELD, MO 65803  
 P: 417.883.6555

PROJECT: INNOVATIVE DENTAL CENTER FOR GENERAL & ADVANCED DENTISTRY  
 LOCATION: 3192 E. FARM ROAD 188 SPRINGFIELD, MO 65721

DRAWN BY: RA	DATE: 01.07.20
CHECKED BY: TF	DATE: 01.07.20

# DOOR SCHEDULE (CONTINUED)

DOOR	SIZE	HAND	DOOR TYPE	FRAME	FRAMING	HARDWARE	LOCATION
202C	3'-0" X 7'-0"	RH-HLSO	ALUM.	F16	451	6	VIP SUITE 202
203	3'-0" X 7'-0"	RH-HLSO	WOOD (N.B.S.G.)	F13	450	21	VIP SUITE 203
203A	3'-0" X 7'-0"	RH-HRSI	WOOD (N.B.S.G.)	F1.5	450	22	RESTROOM 203A
203B	2'-6" X 7'-0"	LH-HRSO	WOOD (N.B.S.G.)	F1.7	450	17	CLOSET 203B
203C	3'-0" X 7'-0"	RH-HLSO	ALUM.	F16	451	6	VIP SUITE 203
204	3'-0" X 7'-0"	RH-HLSO	WOOD (N.B.S.G.)	F13	450	21	VIP SUITE 204
204A	3'-0" X 7'-0"	RH-HRSI	WOOD (N.B.S.G.)	F1.5	450	22	RESTROOM 204A
204B	2'-6" X 7'-0"	LH-HRSO	WOOD (N.B.S.G.)	F1.7	450	17	CLOSET 204B
204C	3'-0" X 7'-0"	RH-HLSO	ALUM.	F16	451	6	VIP SUITE 204
205	3'-0" X 7'-0"	LH-HRSO	WOOD (N.B.S.G.)	F1.4	450	13	CORRIDOR 205
207A	3'-4" X 7'-0"	SLIDE	GLASS	P	LAGUNA	--	STERILIZATION 207
215A	3'-0" X 7'-0"	RH-HRSI	WOOD (N.B.S.G.)	F1.5	450	20	MEN'S 215
215B	2'-6" X 7'-0"	RH-HLSO	WOOD (N.B.S.G.)	F1.8	450	17	MEN'S 215
216A	3'-0" X 7'-0"	LH-HLSI	WOOD (N.B.S.G.)	F1.6	450	20	WOMEN'S 216
216B	2'-6" X 7'-0"	LH-HRSO	WOOD (N.B.S.G.)	F1.7	450	17	WOMEN'S 216
217A	3'-0" X 7'-0"	LH-HLSI	WOOD (N.B.S.G.)	F1.6	450	17	LAB 217A
219	3'-0" X 7'-0"	LH-HLSI	WOOD (N.B.S.G.)	F13.1	450	21	CORRIDOR 219
220	3'-0" X 7'-0"	LH-HLSI	WOOD (N.B.S.G.)	F1.6	450	22	STAFF RESTROOM 220
221	3'-0" X 7'-0"	LH-HLSI	WOOD (N.B.S.G.)	F14	450	15	CALL CENTER 221
222A	3'-0" X 7'-0"	RH-HRSI	WOOD (N.B.S.G.)	F1.5	450	14	CORRIDOR 222
222B	3'-0" X 7'-0"	LH-HRSO	WOOD (N.B.S.G.)	F15	450	14	CORRIDOR 222
223	3'-0" X 7'-0"	RH-HRSI	WOOD (N.B.S.G.)	F12	450	23	MANAGER 223
224A	3'-0" X 7'-0"	LH-HRSO	WOOD (N.B.S.G.)	F1.4	450	17	STORAGE 224A
224B	2'-6" X 7'-0"	LH-HLSI	WOOD (N.B.S.G.)	F1.10	450	17	CLOSET 225B
225A	3'-0" X 7'-0"	LH-HLSI	WOOD (N.B.S.G.)	F1.6	450	22	RESTROOM 225A
225B	2'-6" X 7'-0"	RH-HRSI	WOOD (N.B.S.G.)	F1.9	450	17	CLOSET 225B
225C	3'-0" X 7'-0"	RH-HLSO	ALUM.	F17	451	6	EXECUTIVE OFFICE 225
225D	3'-0" X 7'-0"	RH-HRSI	WOOD (N.B.S.G.)	F12	450	23	EXECUTIVE OFFICE 225
226	6'-0" X 7'-0"	PRSO	ALUM.	F1.2	451	4	ROOFTOP TERRACE 226
228A	3'-0" X 7'-0"	LH-HRSO	WOOD (N.B.S.G.)	F1.4	450	19	BREAKROOM 228
228B	6'-0" X 7'-0"	PRSO	ALUM.	F1.2	451	4	BREAKROOM 228
230	3'-0" X 7'-0"	LH-HLSI	WOOD (N.B.S.G.)	F1.6	450	17	MECH. 230

### DOOR HARDWARE NOTES:

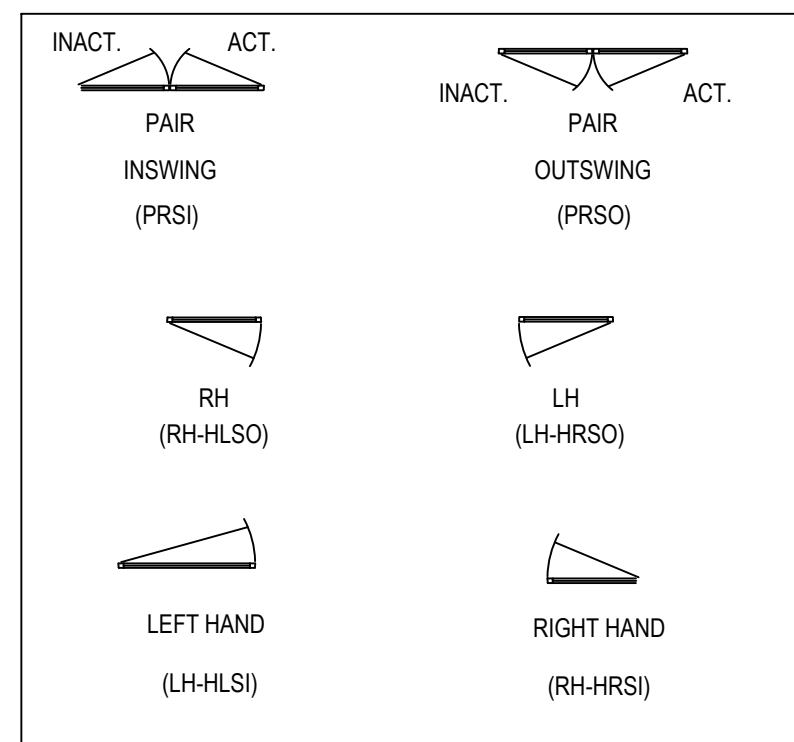
1) ALL STOREFRONT DOOR HARDWARE IS SUPPLIED BY OTHERS. SPRINGFIELD GLASS CO. WILL PREP AND INSTALL THE HARDWARE PER THE APPROVED HARDWARE SCHEDULE. AN APPROVED HARDWARE SCHEDULE MUST BE SUPPLIED. ANY DELAY IN RECEIVING AN APPROVED HARDWARE SCHEDULE WILL RESULT IN A DIRECT DELAY OF THE DOOR FABRICATION.

2) ALL STOREFRONT DOOR HARDWARE MUST BE SUPPLIED TO SPRINGFIELD GLASS CO. PLEASE MARK EACH BOX CLEARLY WITH DOOR NUMBERS. ANY DELAY IN RECEIVING THE HARDWARE WILL RESULT IN A DIRECT DELAY IN DOOR SHIPMENT.

3) WHERE WOOD DOORS ARE INSTALLED INTO STOREFRONT FRAMING, SPRINGFIELD GLASS CO. WILL PREP FRAMING FOR BUTT HINGES AND STRIKES ONLY.

4) SPRINGFIELD GLASS TO PROVIDE PATCH HARDWARE FOR ALL GLASS DOOR.

5) DOOR 207A TO BE A SINGLE PANEL SLIDING BARN DOOR, LAGUNA SERIES, LSWM5BS. LADDER PULLS BY OTHERS.

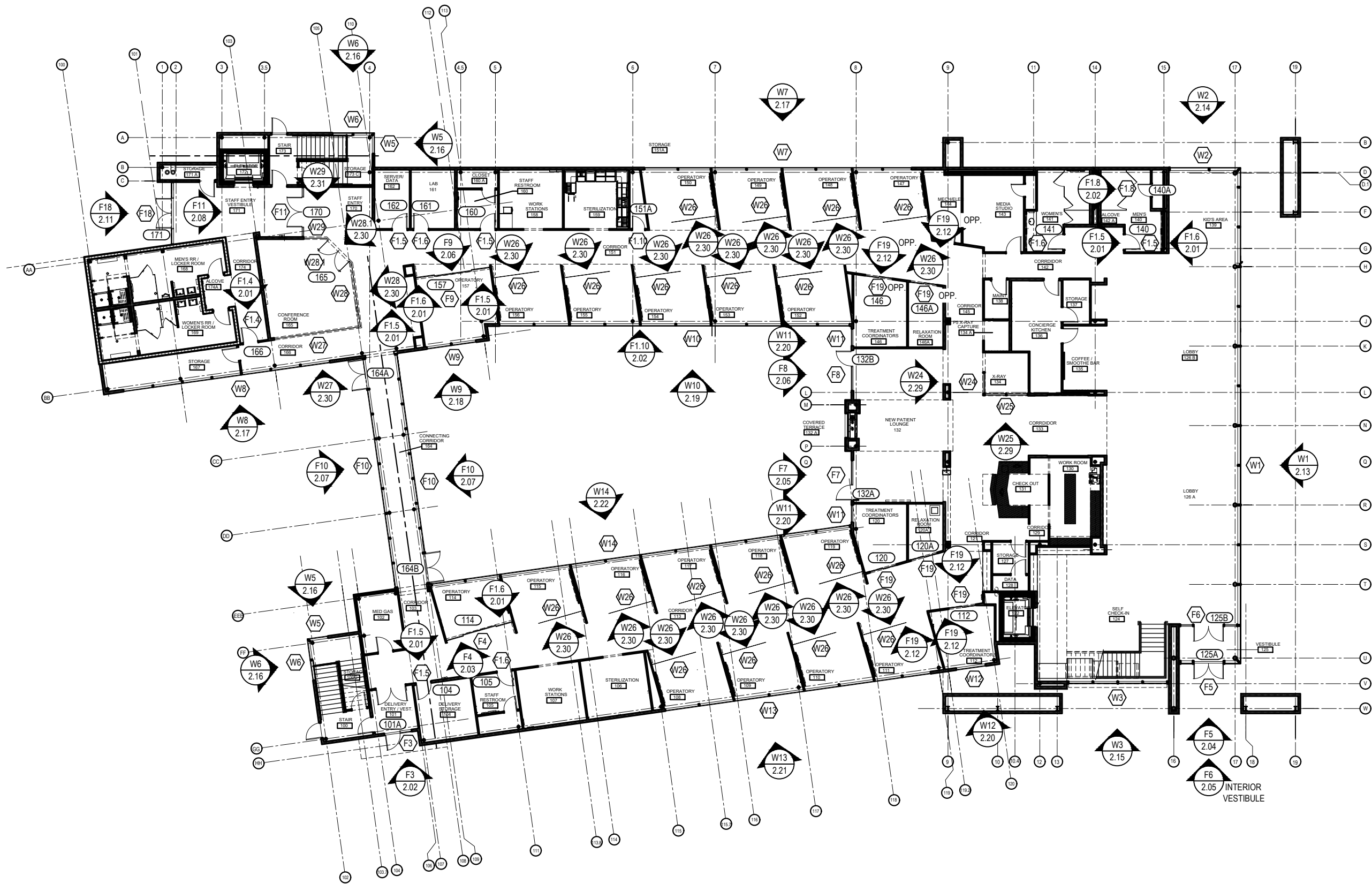


1ST SUBMISSION	1ST REVISION	2ND REVISION	DATE
01.07.20	01.23.20	03.11.20	

**SPRINGFIELD GLASS COMPANY**  
 2503 NORTH OAK GROVE AVE.  
 SPRINGFIELD, MO 65803  
 P: 417.883.6555

PROJECT: INNOVATIVE DENTAL CENTER FOR GENERAL & ADVANCED DENTISTRY  
 LOCATION: 3192 E. FARM ROAD 188 SPRINGFIELD, MO 65721

DRAWN BY: RA	DATE: 01.07.20
CHECKED BY: TF	DATE: 01.07.20



**ARCH / G.C. NOTE:**

FLOOR PLANS ARE PROVIDED FOR OPENING TYPE LOCATION ONLY. REFER TO SPECIFIC MARK ELEVATIONS FOR SIZE REFERENCE DIMENSIONING, MULLION SPACING, ETC.



**FIRST LEVEL FLOOR PLAN**

NTS ARCH. REF.: A1-0

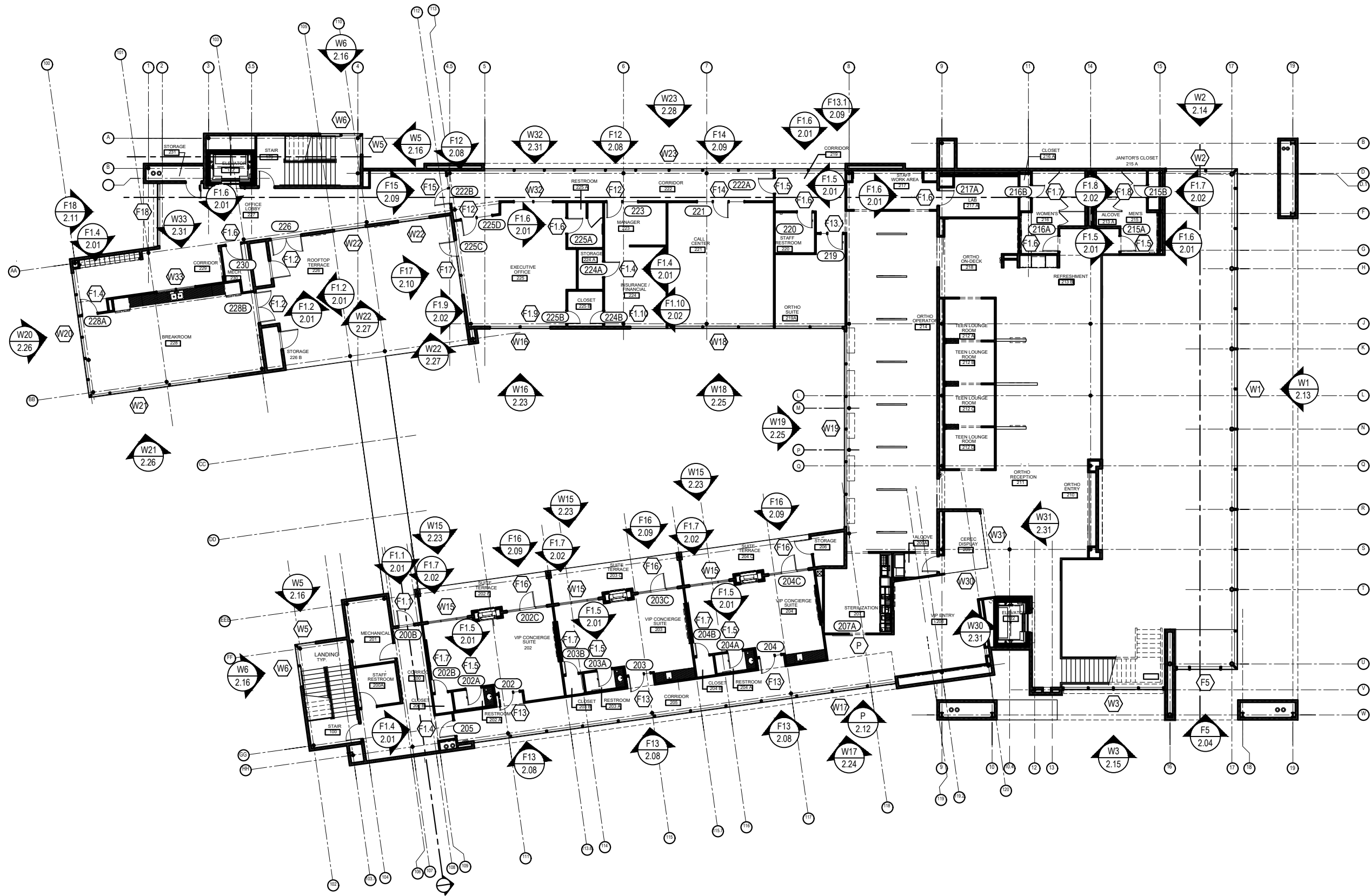
1ST SUBMISSION	01.07.20
1ST REVISION	01.23.20
2ND REVISION	03.11.20
DRAWING SUBMISSION	DATE

**SPRINGFIELD GLASS COMPANY**  
**2503 NORTH OAK GROVE AVE.**  
**SPRINGFIELD, MO 65803**  
**P: 417.883.6555**

PROJECT: INNOVATIVE DENTAL CENTER FOR GENERAL & ADVANCED DENTISTRY

LOCATION: 3192 E. FARM ROAD 188  
 SPRINGFIELD, MO 65721

DRAWN BY: RA	DATE: 01.07.20
CHECKED BY: TF	DATE: 01.07.20



**ARCH / G.C. NOTE:**

FLOOR PLANS ARE PROVIDED FOR OPENING TYPE LOCATION ONLY. REFER TO SPECIFIC MARK ELEVATIONS FOR SIZE REFERENCE DIMENSIONING, MULLION SPACING, ETC.



**SECOND LEVEL FLOOR PLAN**

NTS

ARCH. REF.: A1-1

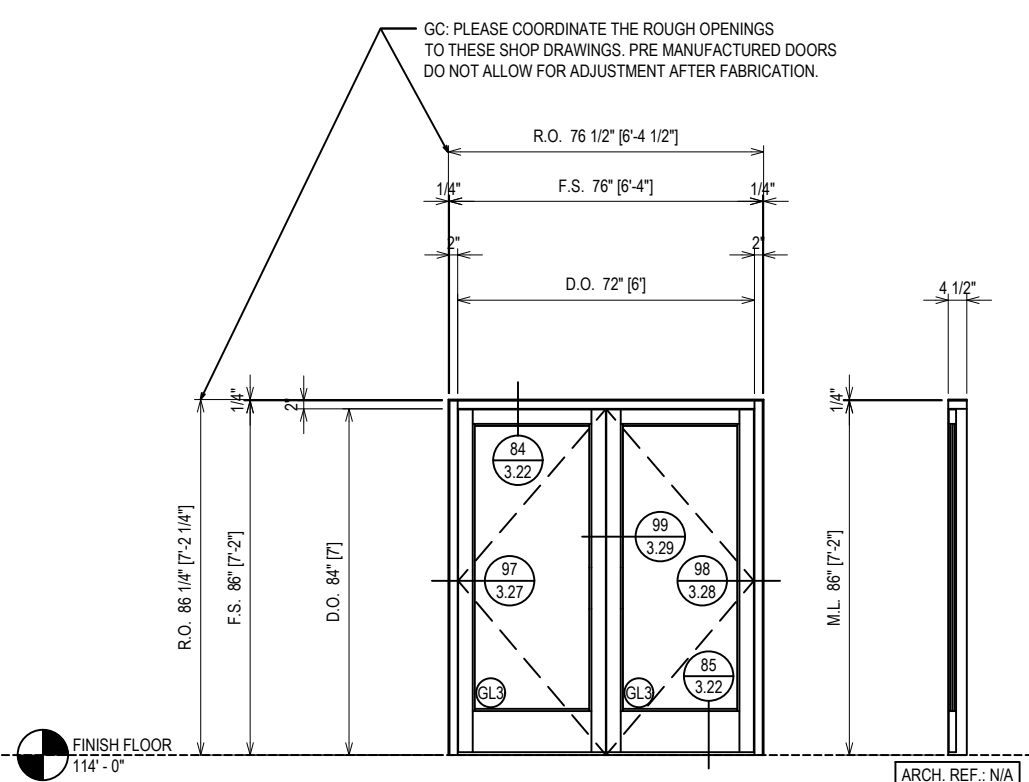
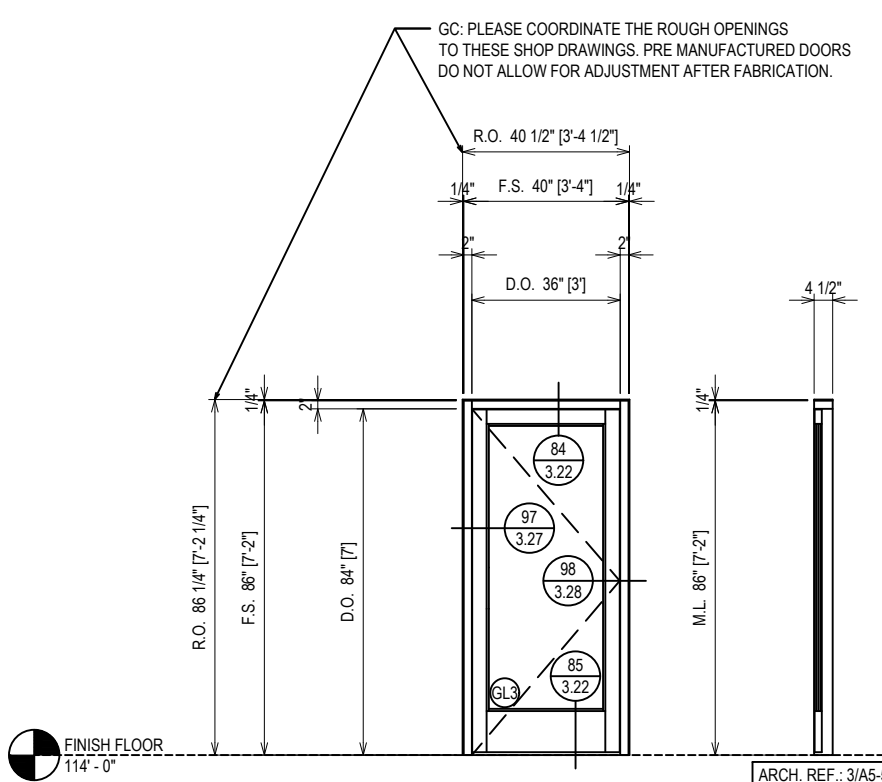
1ST SUBMISSION	01.07.20
1ST REVISION	01.23.20
2ND REVISION	03.11.20
DRAWING SUBMISSION	DATE

**SPRINGFIELD GLASS COMPANY**  
**2503 NORTH OAK GROVE AVE.**  
**SPRINGFIELD, MO 65803**  
**P: 417.883.6555**

PROJECT: INNOVATIVE DENTAL  
 CENTER FOR GENERAL &  
 ADVANCED DENTISTRY

LOCATION: 3192 E. FARM ROAD 188  
 SPRINGFIELD, MO 65721

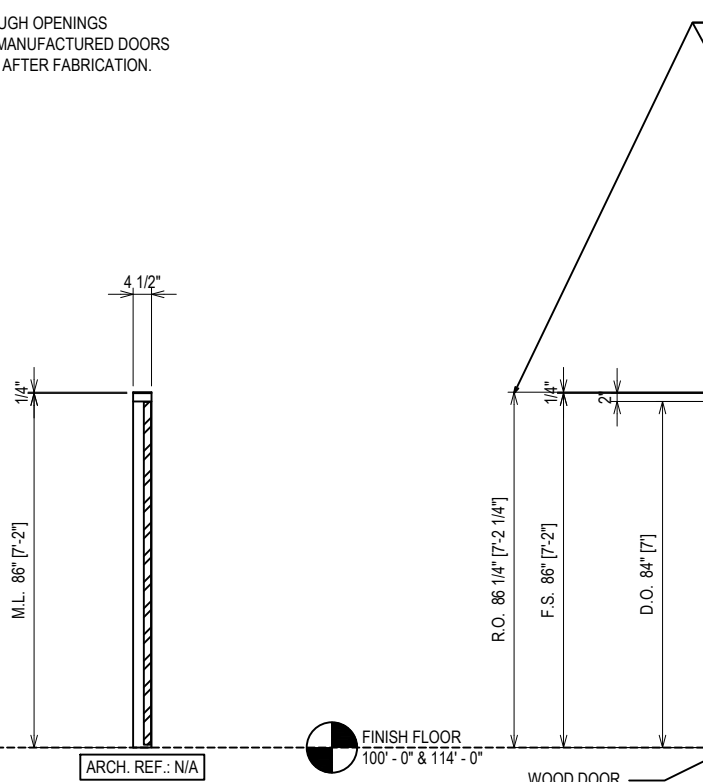
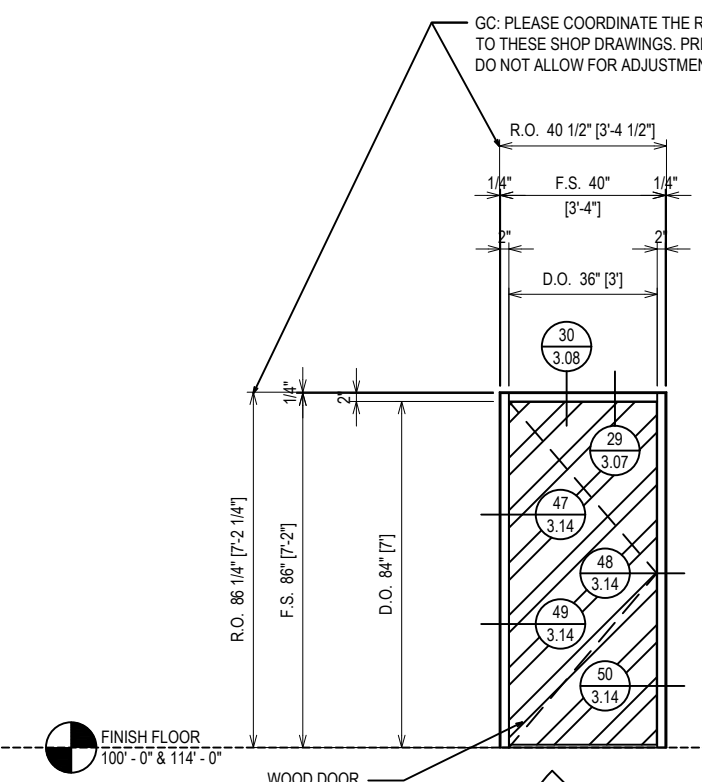
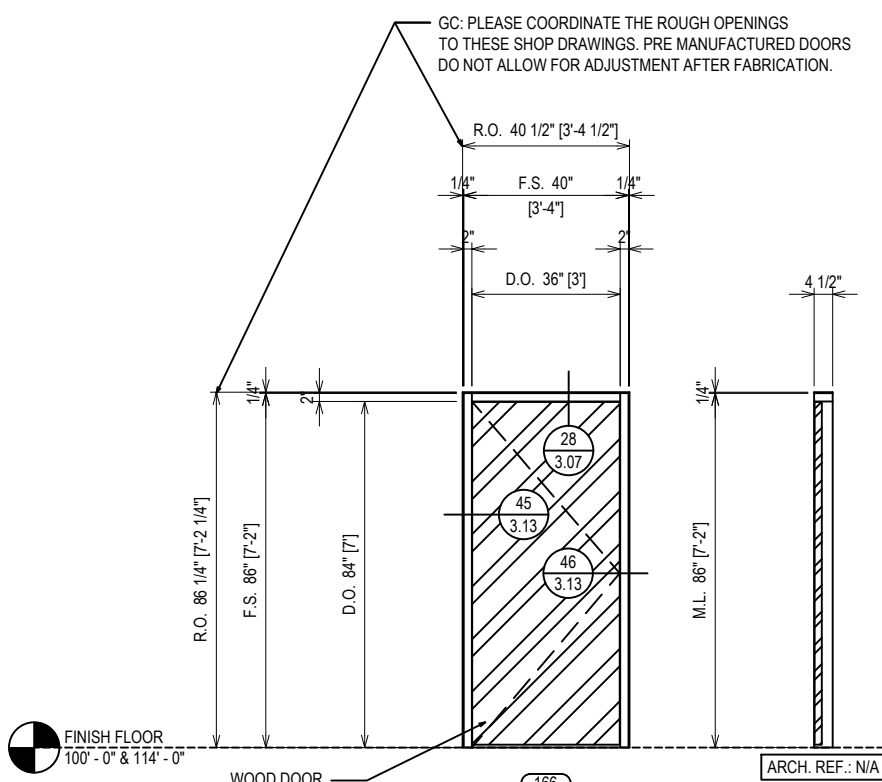
DRAWN BY:	DATE:
RA	01.07.20
CHECKED BY:	DATE:
TF	01.07.20



ELEVATION F1.3 REMOVED

ELEVATION F1.1  
 SCALE: 1/2" = 1'-0"  
 KAWNEER TRIFAB VG 451 - 2" X 4 1/2"  
 EXTERIOR STOREFRONT  
 1" INSULATED GLASS  
 QUANTITY: 1

ELEVATION F1.2  
 SCALE: 1/2" = 1'-0"  
 KAWNEER TRIFAB VG 451 - 2" X 4 1/2"  
 EXTERIOR STOREFRONT  
 1" INSULATED GLASS  
 QUANTITY: 2



ELEVATION F1.4  
 SCALE: 1/2" = 1'-0"  
 KAWNEER TRIFAB VG 450 - 2" X 4 1/2"  
 INTERIOR STOREFRONT  
 WOOD DOOR (N.B.S.G.)  
 QUANTITY: 4

ELEVATION F1.5  
 SCALE: 1/2" = 1'-0"  
 KAWNEER TRIFAB VG 450 - 2" X 4 1/2"  
 INTERIOR STOREFRONT  
 WOOD DOOR (N.B.S.G.)  
 QUANTITY: 9

ELEVATION F1.6  
 SCALE: 1/2" = 1'-0"  
 KAWNEER TRIFAB VG 450 - 2" X 4 1/2"  
 INTERIOR STOREFRONT  
 WOOD DOOR (N.B.S.G.)  
 QUANTITY: 8

ERECTOR / G.C. NOTE:  
 PLEASE FIELD VERIFY ALL DIMENSIONS

1ST SUBMISSION	01.07.20
1ST REVISION	01.23.20
2ND REVISION	03.11.20
NO	DATE
DESCRIPTION	DRAWING SUBMISSION

PROJECT: INNOVATIVE DENTAL CENTER FOR GENERAL & ADVANCED DENTISTRY  
 LOCATION: 3192 E. FARM ROAD 188 SPRINGFIELD, MO 65721

SPRINGFIELD GLASS COMPANY  
 2503 NORTH OAK GROVE AVE.  
 SPRINGFIELD, MO 65803  
 P: 417.883.6555

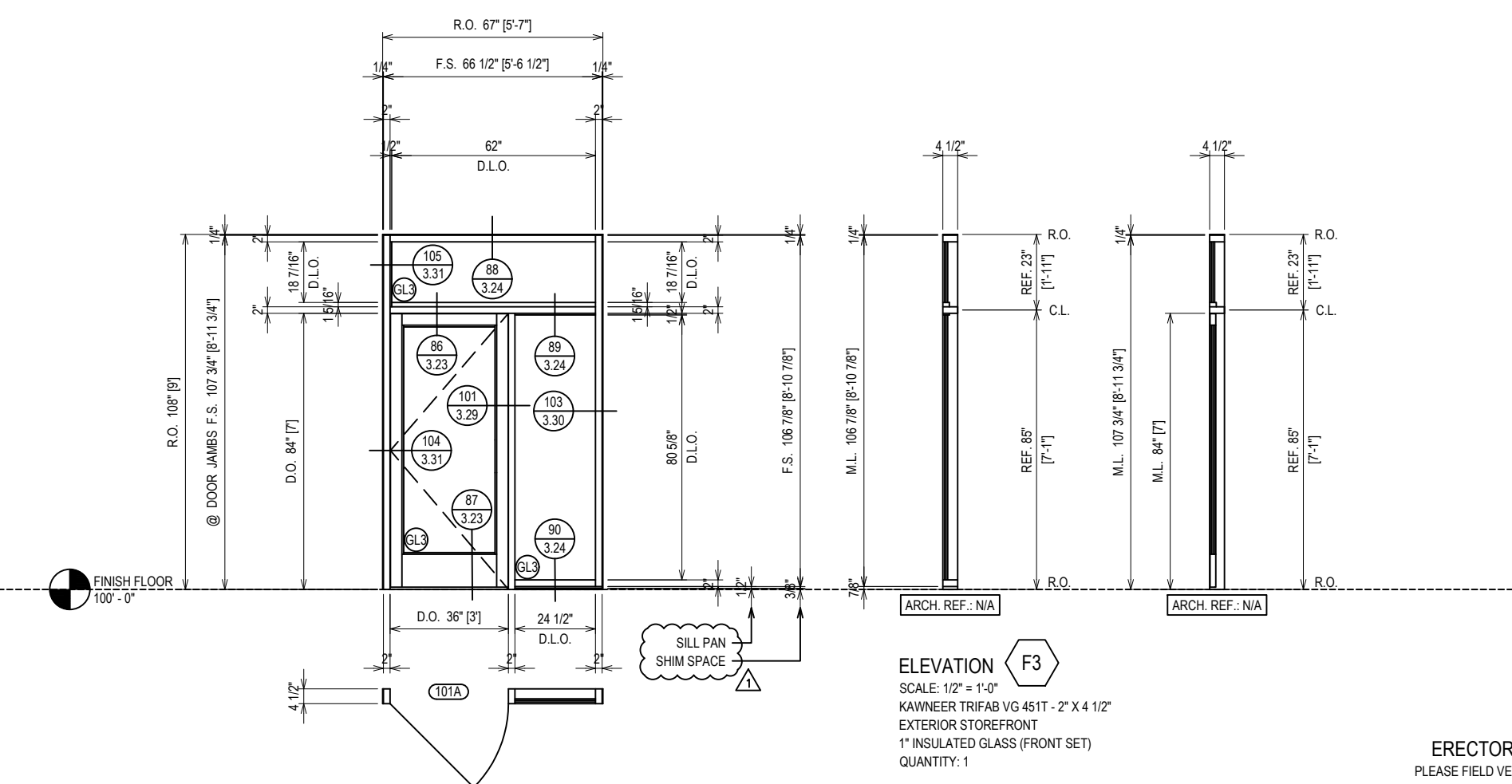
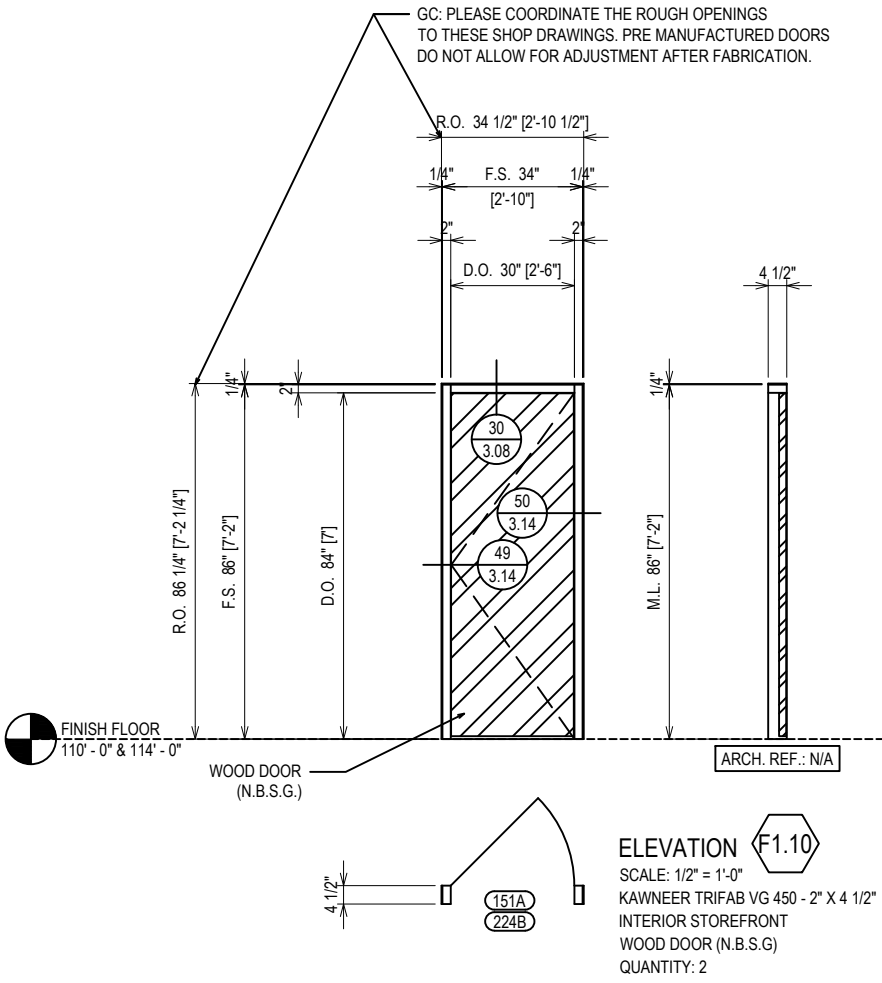
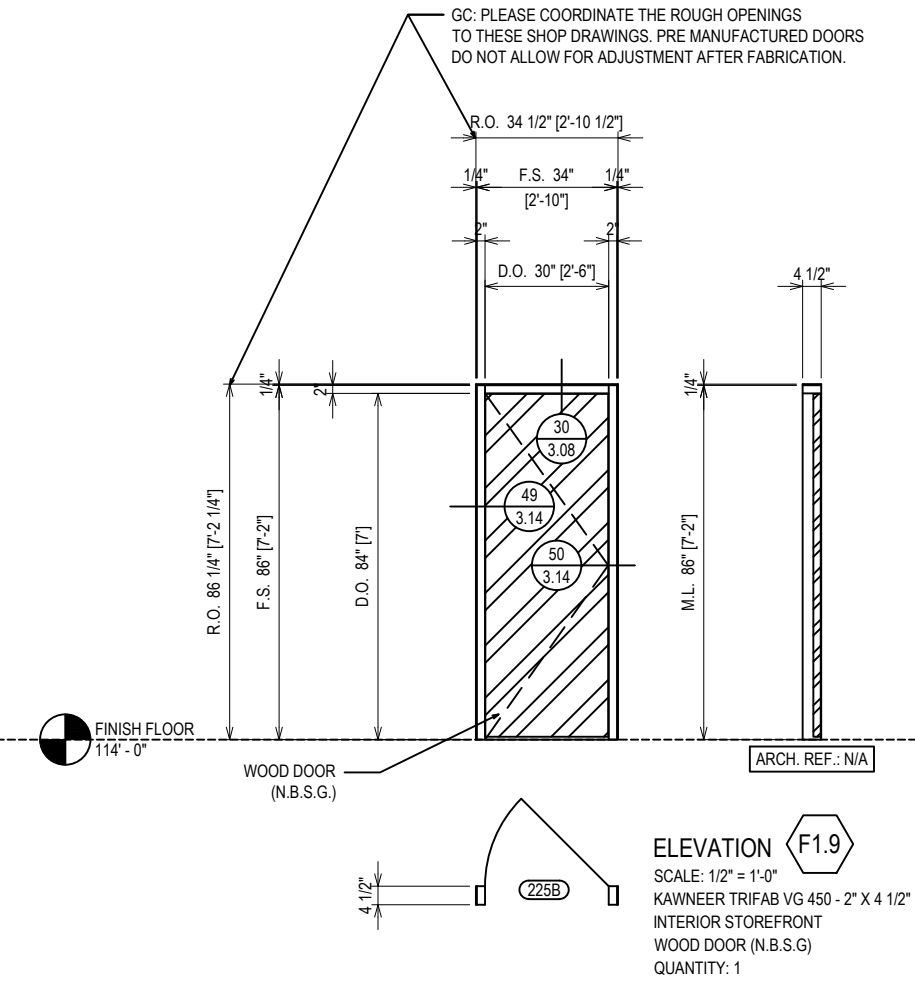
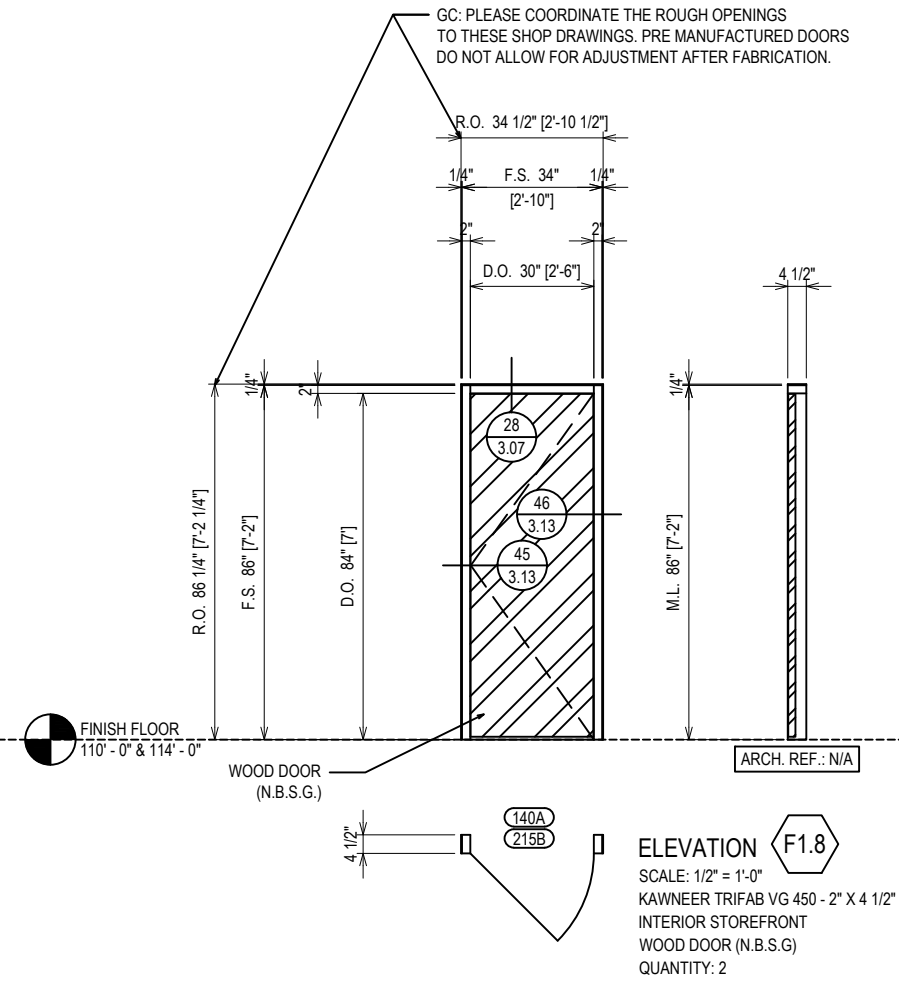
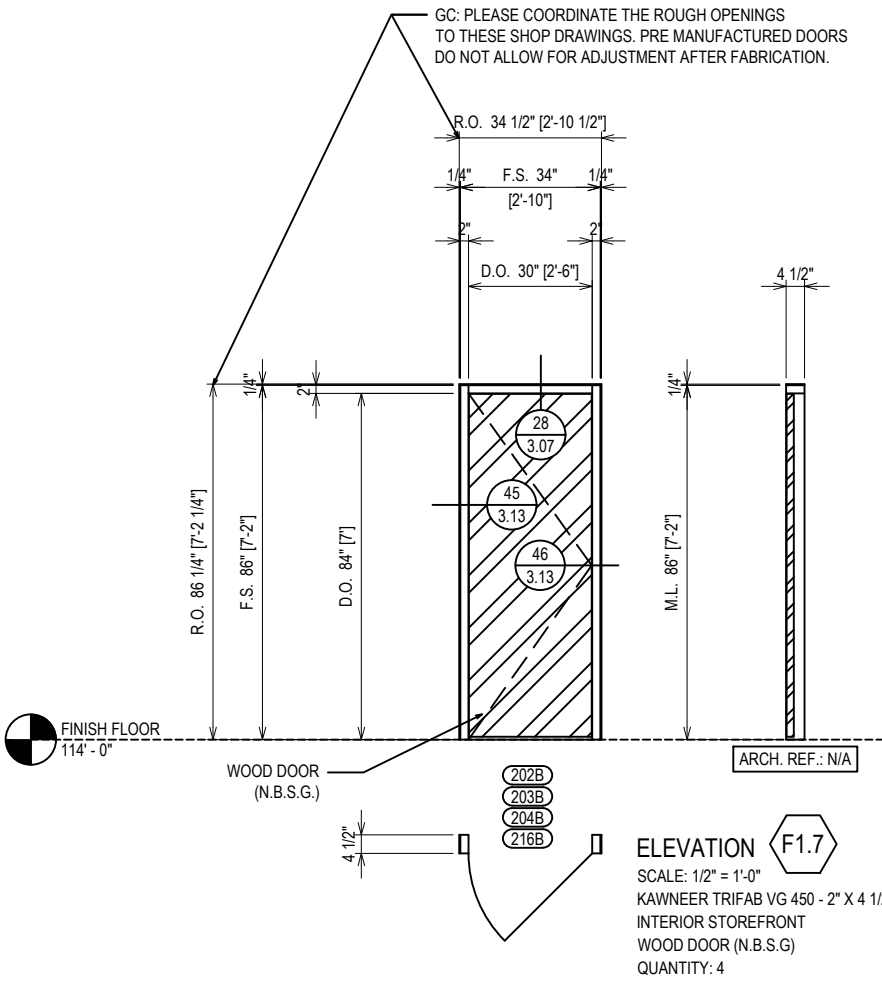
DATE: 01.07.20

DRAWN BY: RA	DATE: 01.07.20
CHECKED BY: TF	DATE: 01.07.20

GC: PLEASE COORDINATE THE ROUGH OPENINGS TO THESE SHOP DRAWINGS. PRE MANUFACTURED DOORS DO NOT ALLOW FOR ADJUSTMENT AFTER FABRICATION.

GC: PLEASE COORDINATE THE ROUGH OPENINGS TO THESE SHOP DRAWINGS. PRE MANUFACTURED DOORS DO NOT ALLOW FOR ADJUSTMENT AFTER FABRICATION.

GC: PLEASE COORDINATE THE ROUGH OPENINGS TO THESE SHOP DRAWINGS. PRE MANUFACTURED DOORS DO NOT ALLOW FOR ADJUSTMENT AFTER FABRICATION.

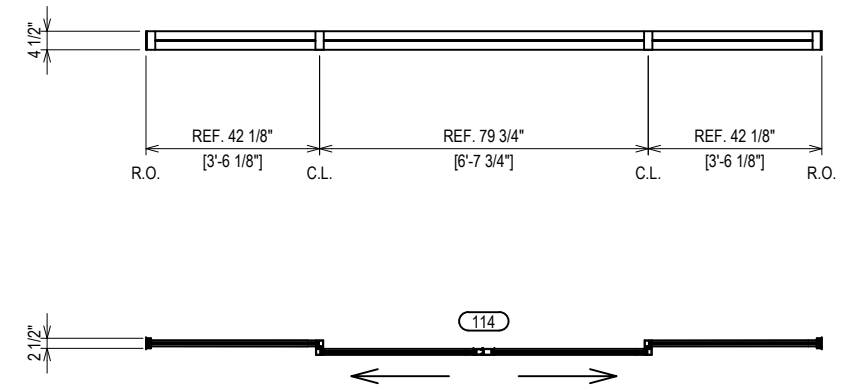
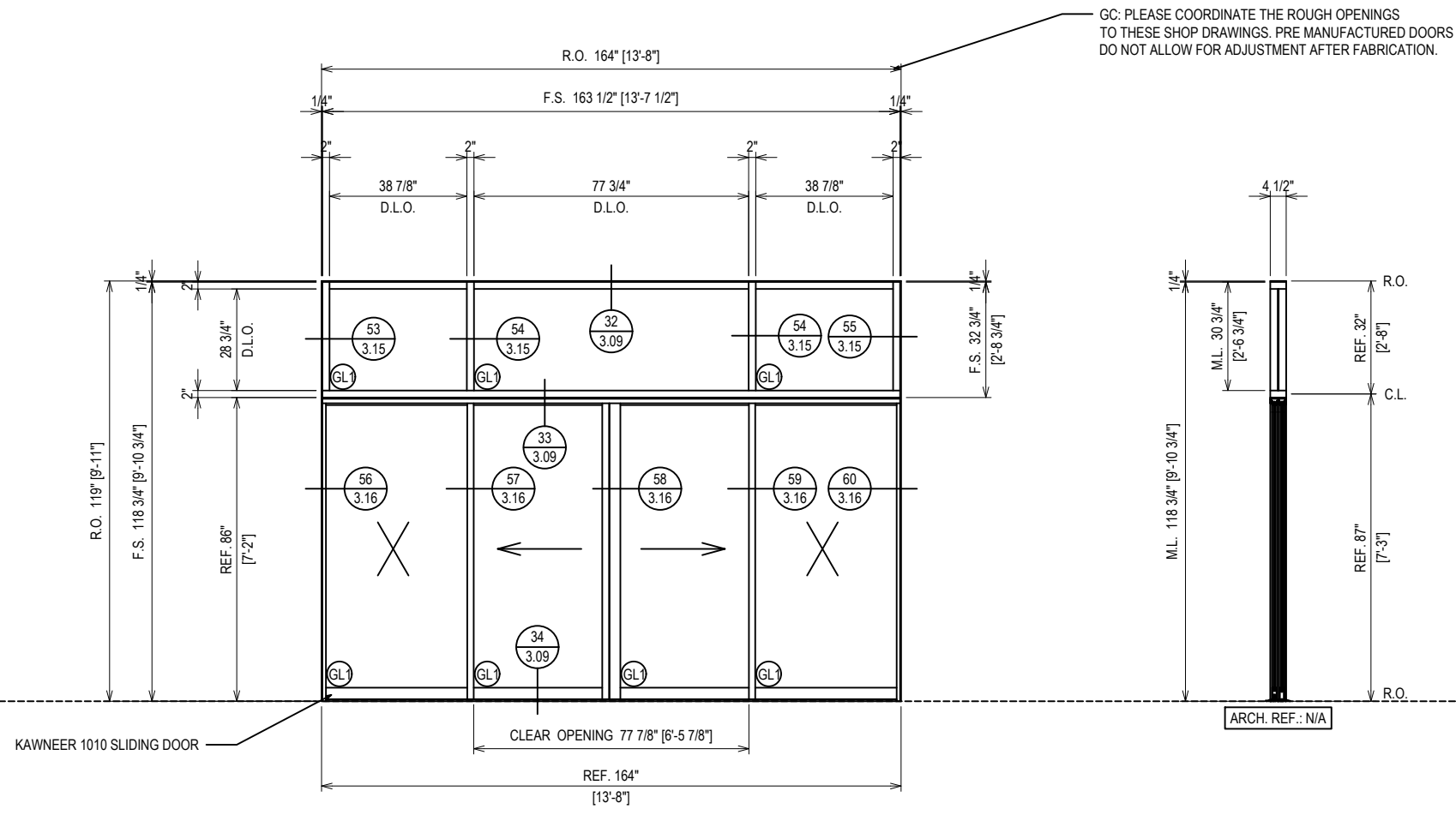


1ST SUBMISSION	01.07.20
1ST REVISION	01.23.20
2ND REVISION	03.11.20
NO	DATE
DESCRIPTION	DRAWING SUBMISSION

PROJECT: INNOVATIVE DENTAL CENTER FOR GENERAL & ADVANCED DENTISTRY  
 LOCATION: 3192 E. FARM ROAD 188 SPRINGFIELD, MO 65721  
 SPRINGFIELD GLASS COMPANY  
 2503 NORTH OAK GROVE AVE.  
 SPRINGFIELD, MO 65803  
 P: 417.883.6555

ERECTOR / G.C. NOTE:  
 PLEASE FIELD VERIFY ALL DIMENSIONS





**ELEVATION** F4  
 SCALE: 1/2" = 1'-0"  
 KAWNEER TRIFAB VG 450 - 2" X 4 1/2"  
 INTERIOR STOREFRONT  
 1/4" TEMPERED GLASS (CENTER SET)  
 QUANTITY: 1

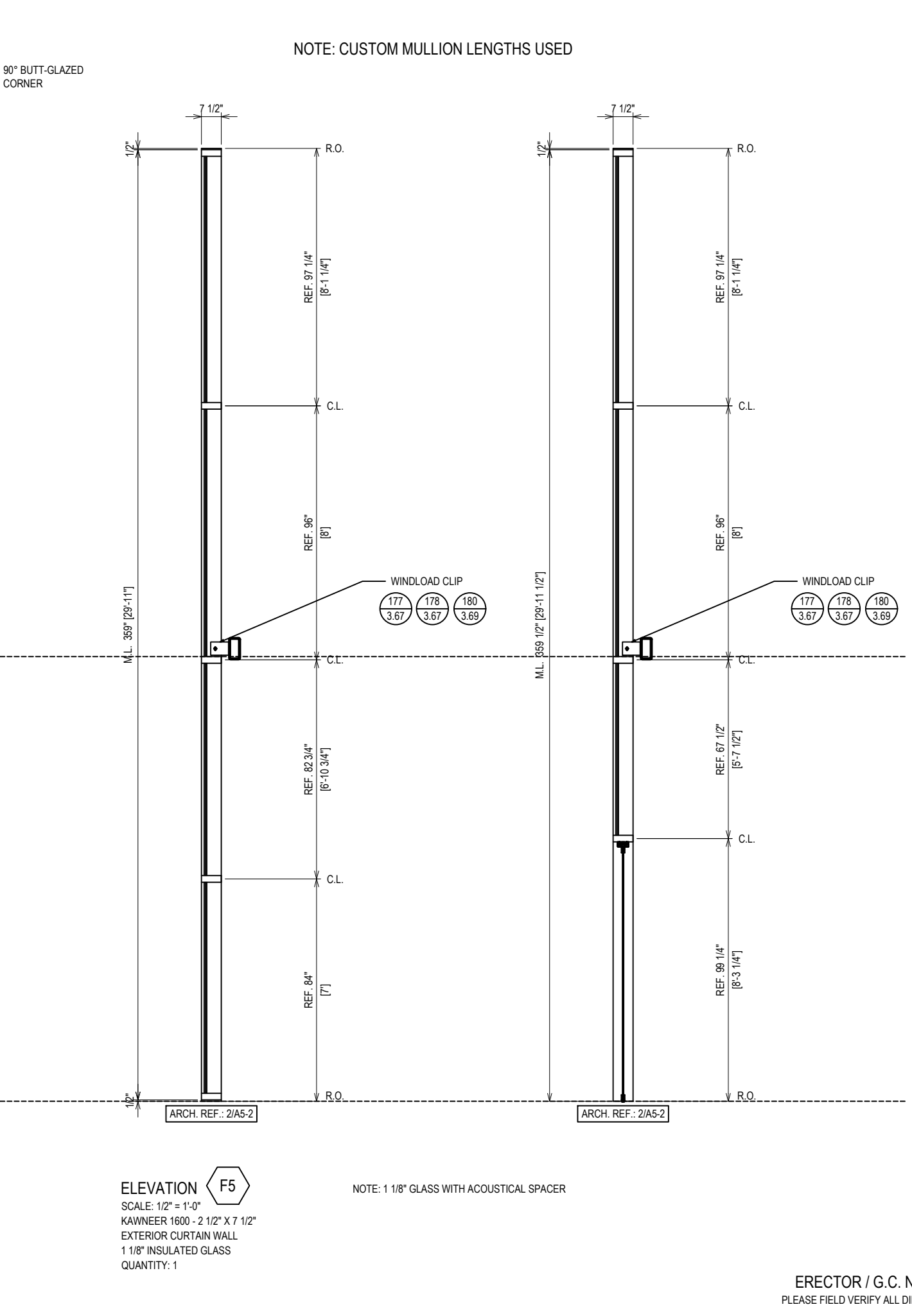
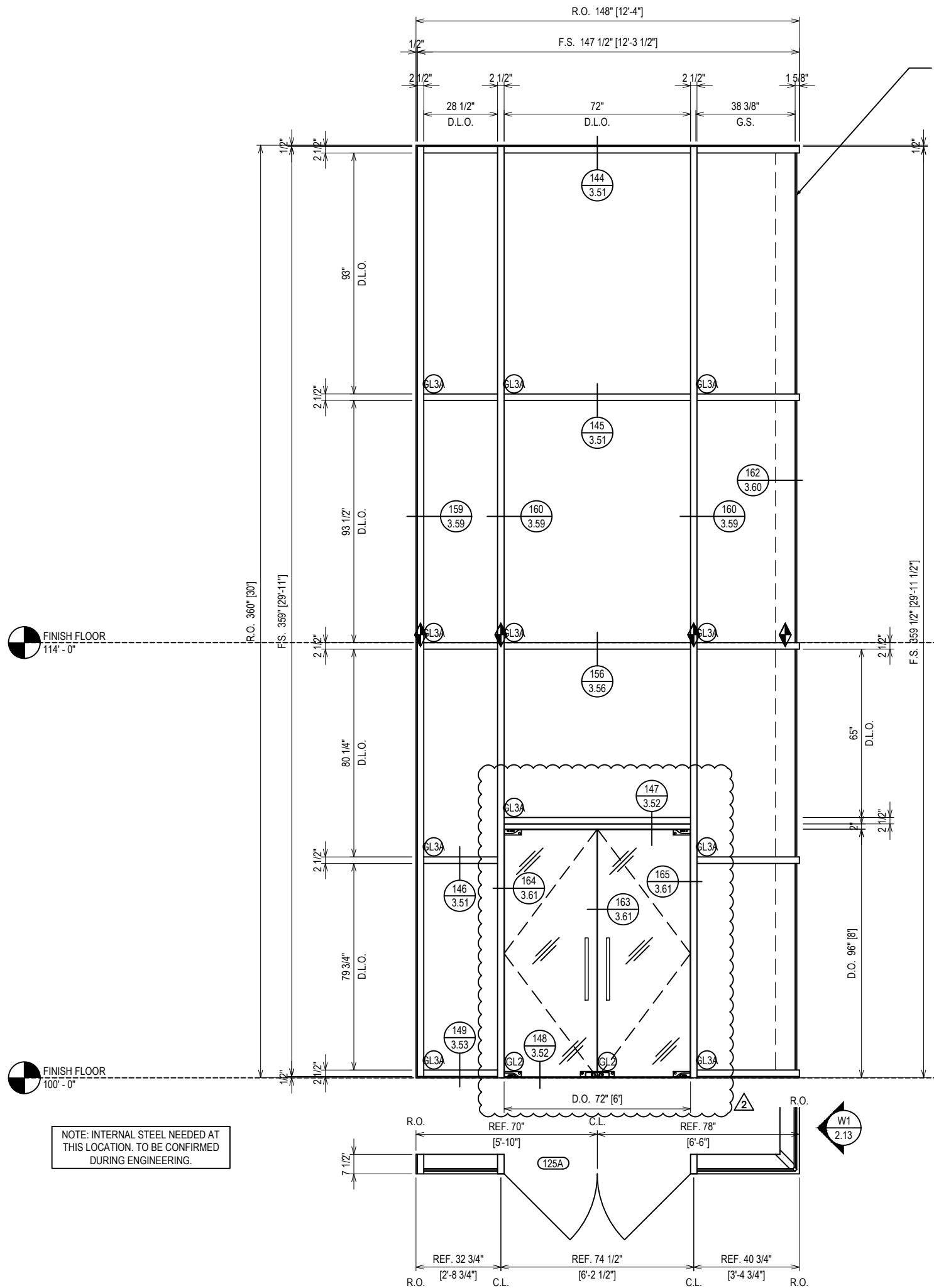
1ST SUBMISSION	01.07.20
1ST REVISION	01.23.20
2ND REVISION	03.11.20
NO	DATE
DRAWING SUBMISSION	

**SPRINGFIELD GLASS COMPANY**  
 2503 NORTH OAK GROVE AVE.  
 SPRINGFIELD, MO 65803  
 P: 417.883.6555

PROJECT: INNOVATIVE DENTAL  
 CENTER FOR GENERAL &  
 ADVANCED DENTISTRY  
 LOCATION: 3192 E. FARM ROAD 188  
 SPRINGFIELD, MO 65721

DRAWN BY:	RA	DATE:	01.07.20
CHECKED BY:	TF	DATE:	01.07.20

ERECTOR / G.C. NOTE:  
 PLEASE FIELD VERIFY ALL DIMENSIONS



NOTE: INTERNAL STEEL NEEDED AT THIS LOCATION. TO BE CONFIRMED DURING ENGINEERING.

ELEVATION **F5**  
 SCALE: 1/2" = 1'-0"  
 KAWNEER 1600 - 2 1/2" X 7 1/2"  
 EXTERIOR CURTAIN WALL  
 1 1/8" INSULATED GLASS  
 QUANTITY: 1

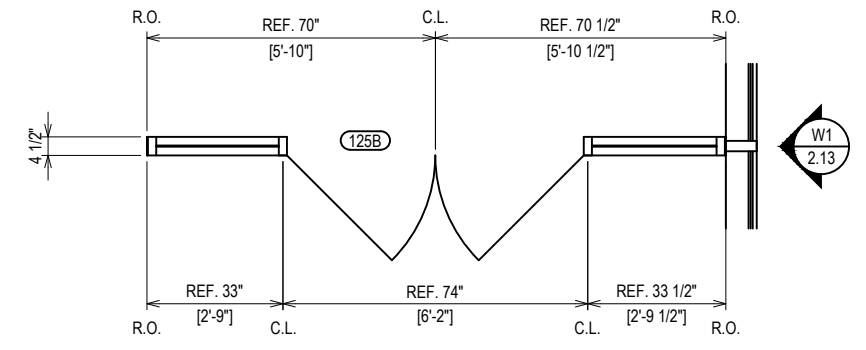
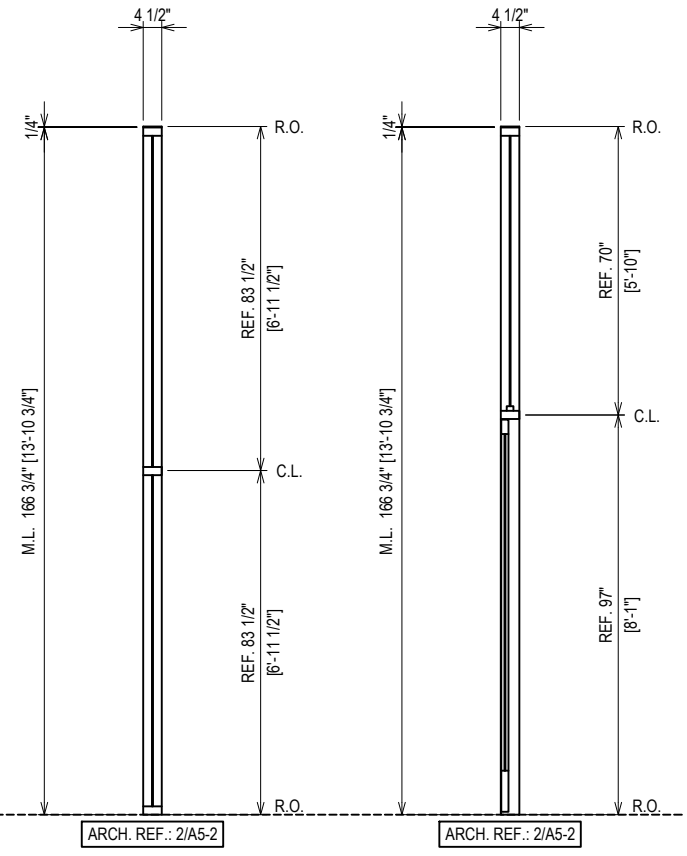
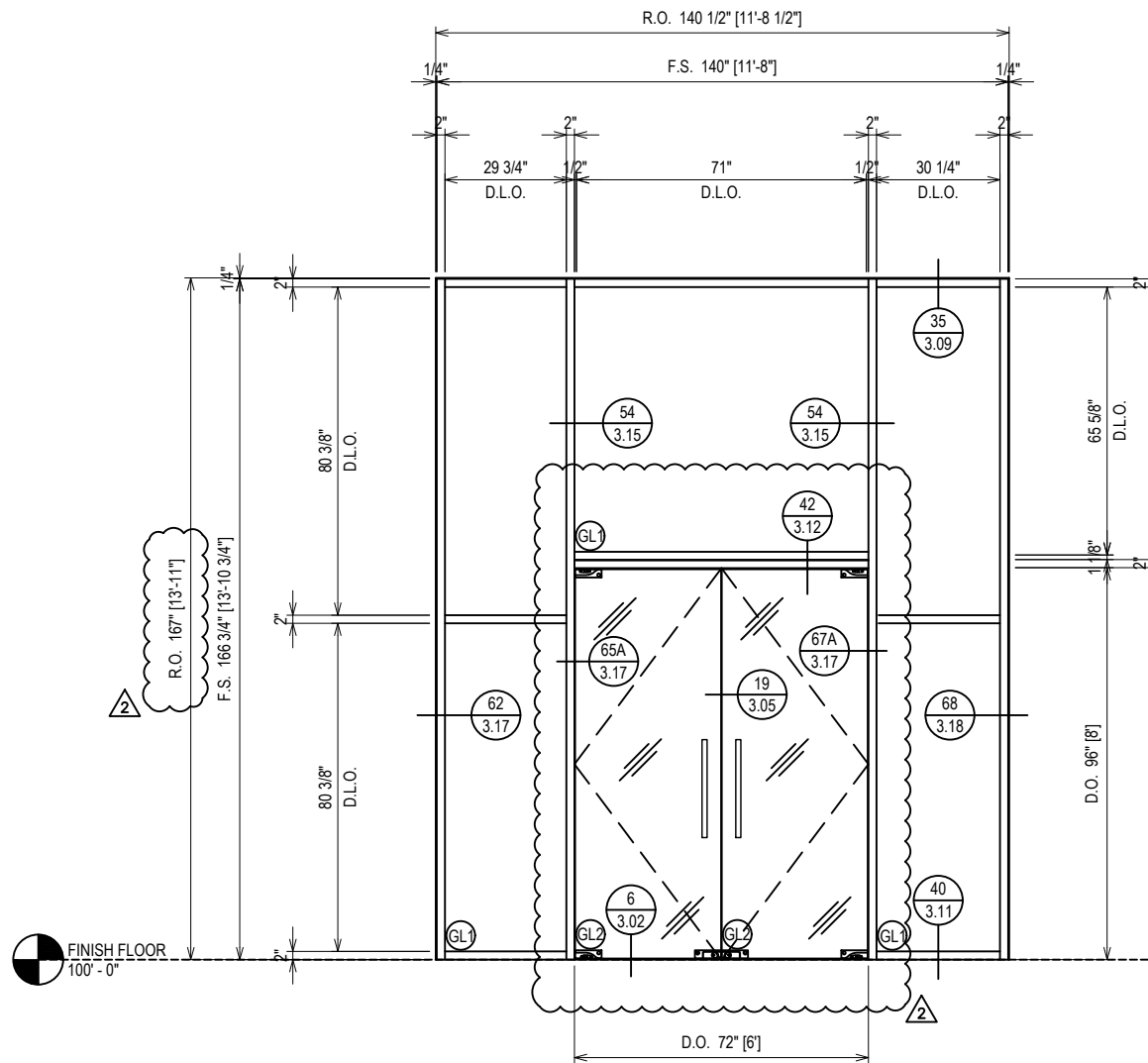
NOTE: 1 1/8" GLASS WITH ACOUSTICAL SPACER

ERECTOR / G.C. NOTE:  
 PLEASE FIELD VERIFY ALL DIMENSIONS

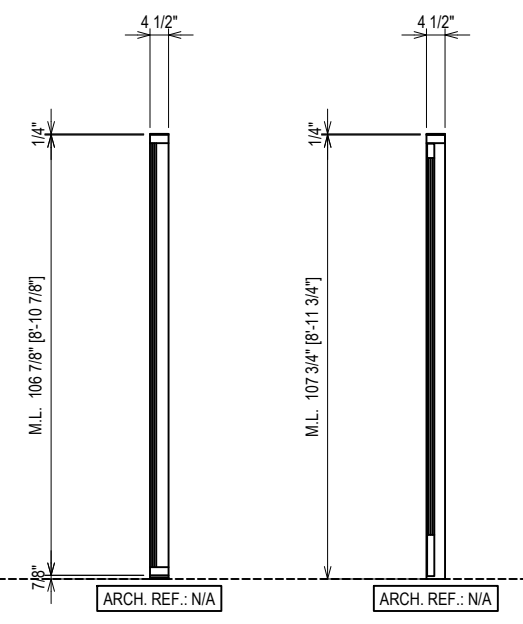
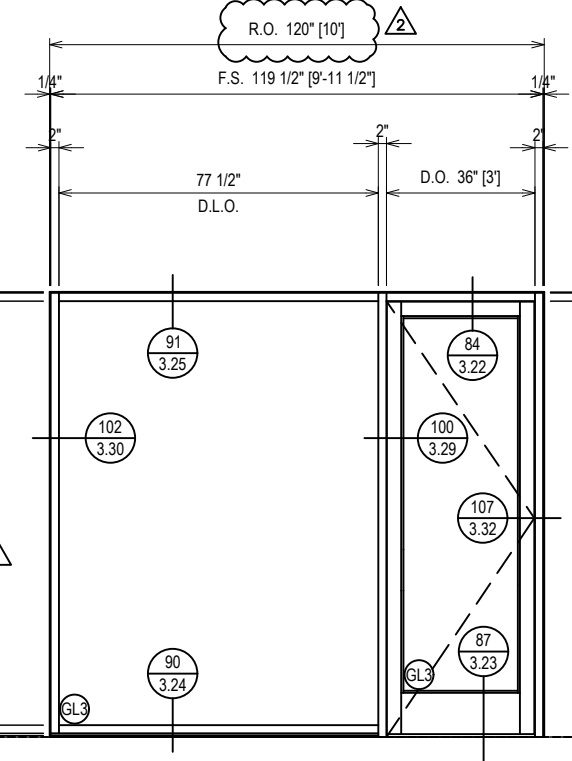
1ST SUBMISSION	01.07.20
1ST REVISION	01.23.20
2ND REVISION	03.11.20
NO	DATE
DESCRIPTION	DRAWING SUBMISSION

PROJECT: INNOVATIVE DENTAL CENTER FOR GENERAL & ADVANCED DENTISTRY  
 LOCATION: 3192 E. FARM ROAD 188 SPRINGFIELD, MO 65721  
 SPRINGFIELD GLASS COMPANY  
 2503 NORTH OAK GROVE AVE.  
 SPRINGFIELD, MO 65803  
 P: 417.883.6555

DRAWN BY: RA	DATE: 01.07.20
CHECKED BY: TF	DATE: 01.07.20



**ELEVATION F6**  
 SCALE: 1/2" = 1'-0"  
 KAWNEER TRIFAB VG 450 - 2" X 4 1/2"  
 INTERIOR STOREFRONT  
 1/4" TEMPERED GLASS (CENTER SET)  
 QUANTITY: 1



**ELEVATION F7**  
 SCALE: 1/2" = 1'-0"  
 KAWNEER TRIFAB VG 451T - 2" X 4 1/2"  
 EXTERIOR STOREFRONT  
 1" INSULATED GLASS (FRONT SET)  
 QUANTITY: 1

GC: PLEASE COORDINATE THE ROUGH OPENINGS TO THESE SHOP DRAWINGS. PRE MANUFACTURED DOORS DO NOT ALLOW FOR ADJUSTMENT AFTER FABRICATION.

ERECTOR / G.C. NOTE:  
 PLEASE FIELD VERIFY ALL DIMENSIONS

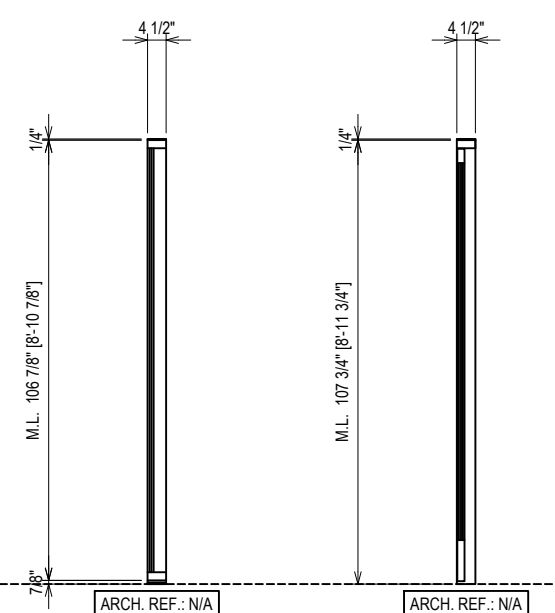
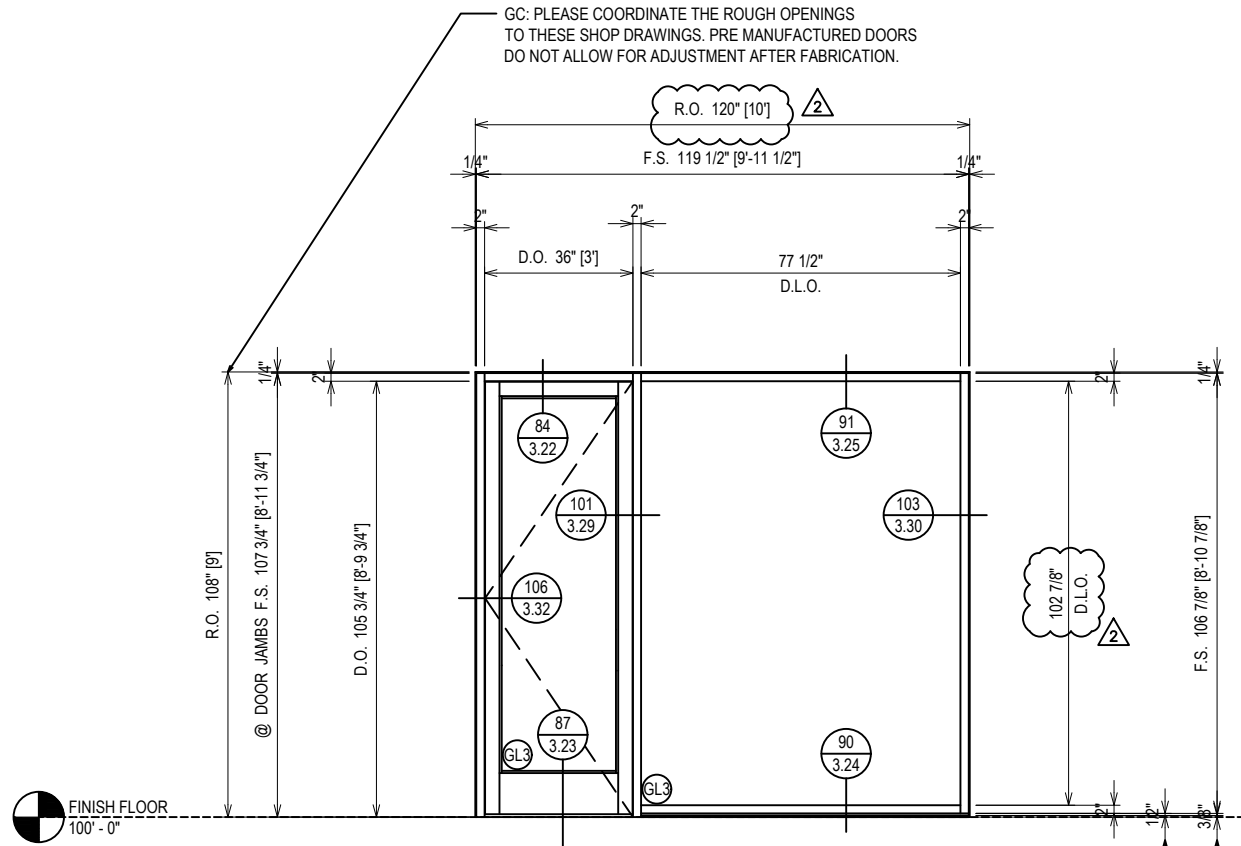
1ST SUBMISSION	01.07.20
1ST REVISION	01.23.20
2ND REVISION	03.11.20
NO	DATE
DESCRIPTION	DRAWING SUBMISSION

SPRINGFIELD GLASS COMPANY  
 2503 NORTH OAK GROVE AVE.  
 SPRINGFIELD, MO 65803  
 P: 417.883.6555

PROJECT: INNOVATIVE DENTAL  
 CENTER FOR GENERAL &  
 ADVANCED DENTISTRY  
 LOCATION: 3192 E. FARM ROAD 188  
 SPRINGFIELD, MO 65721

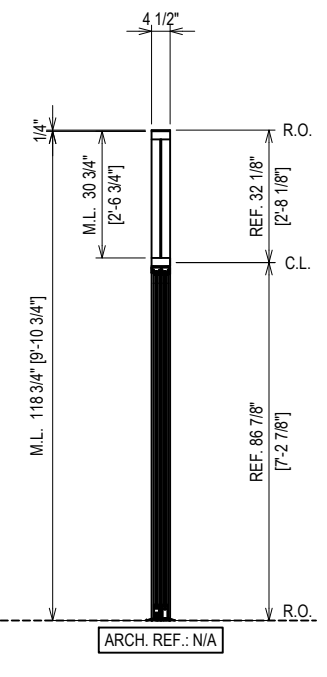
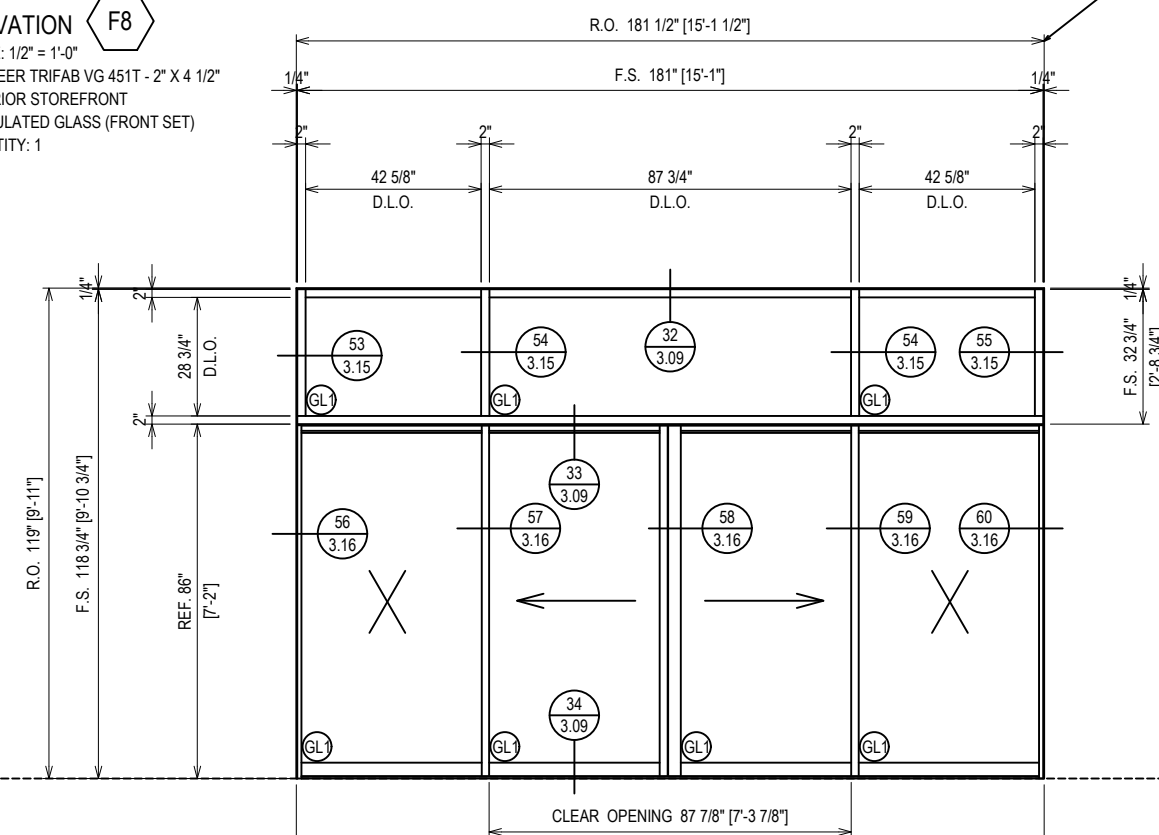
DRAWN BY:	DATE:
RA	01.07.20
CHECKED BY:	DATE:
TF	01.07.20

GC: PLEASE COORDINATE THE ROUGH OPENINGS TO THESE SHOP DRAWINGS. PRE MANUFACTURED DOORS DO NOT ALLOW FOR ADJUSTMENT AFTER FABRICATION.

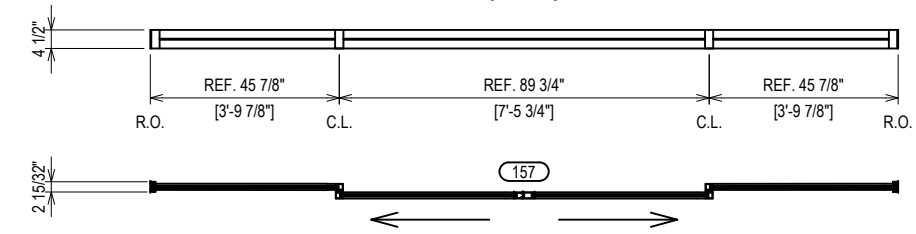


**ELEVATION F8**  
 SCALE: 1/2" = 1'-0"  
 KAWNEER TRIFAB VG 451T - 2" X 4 1/2"  
 EXTERIOR STOREFRONT  
 1" INSULATED GLASS (FRONT SET)  
 QUANTITY: 1

GC: PLEASE COORDINATE THE ROUGH OPENINGS TO THESE SHOP DRAWINGS. PRE MANUFACTURED DOORS DO NOT ALLOW FOR ADJUSTMENT AFTER FABRICATION.



**ELEVATION F9**  
 SCALE: 1/2" = 1'-0"  
 KAWNEER TRIFAB VG 450 - 2" X 4 1/2"  
 INTERIOR STOREFRONT  
 1/4" TEMPERED GLASS (CENTER SET)  
 QUANTITY: 1



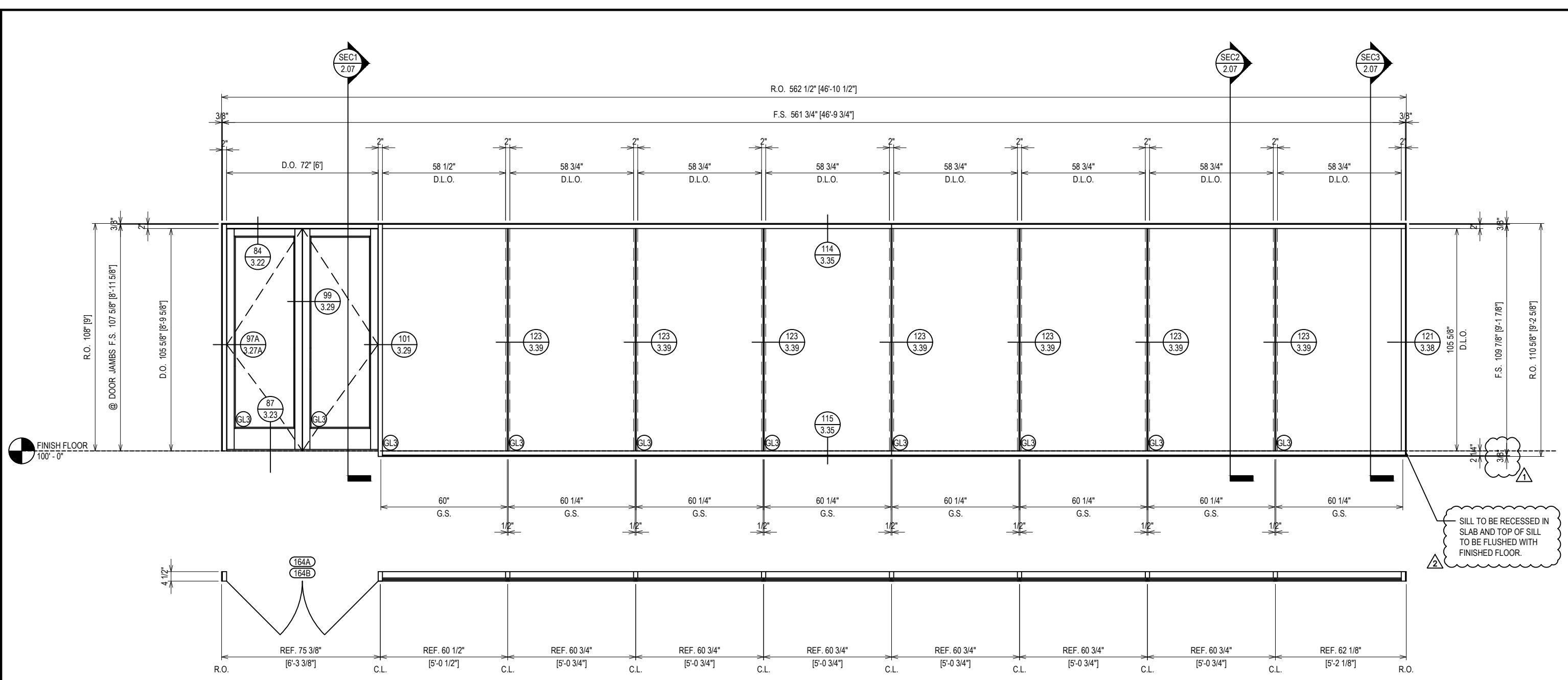
ERECTOR / G.C. NOTE:  
 PLEASE FIELD VERIFY ALL DIMENSIONS

1ST SUBMISSION	01.07.20
1ST REVISION	01.23.20
2ND REVISION	03.11.20
NO	DATE
DESCRIPTION	DRAWING SUBMISSION

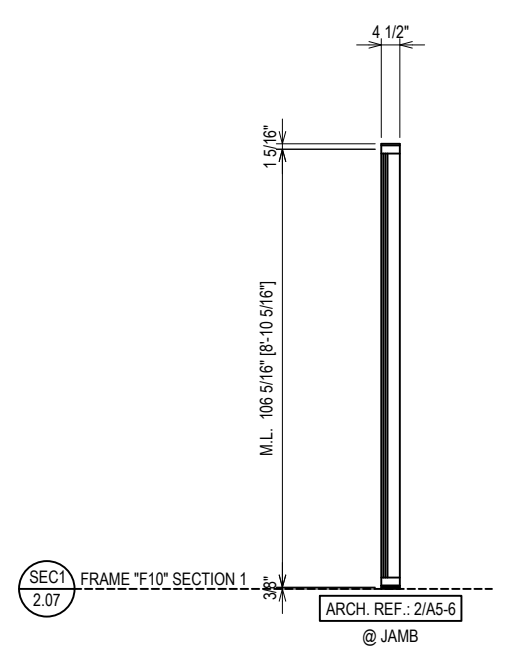
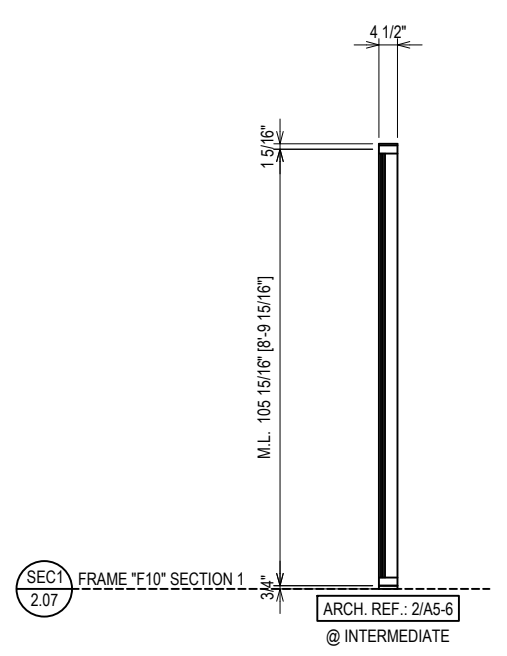
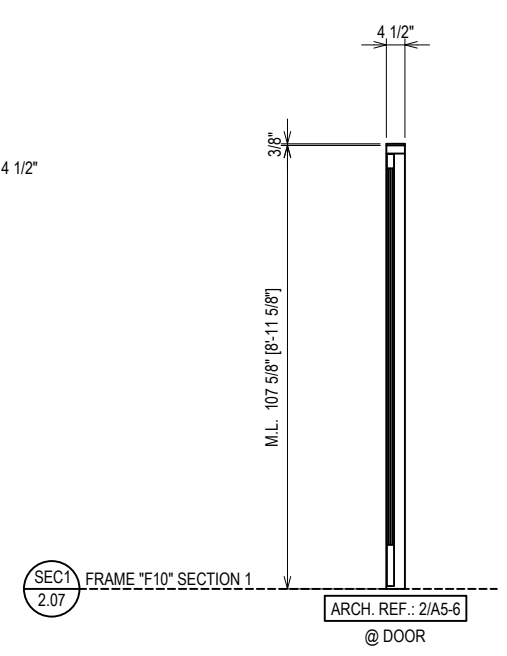
**SPRINGFIELD GLASS COMPANY**  
 2503 NORTH OAK GROVE AVE.  
 SPRINGFIELD, MO 65803  
 P: 417.883.6555

PROJECT: INNOVATIVE DENTAL CENTER FOR GENERAL & ADVANCED DENTISTRY  
 LOCATION: 3192 E. FARM ROAD 188 SPRINGFIELD, MO 65721

DRAWN BY: RA	DATE: 01.07.20
CHECKED BY: TF	DATE: 01.07.20



**ELEVATION F10**  
SCALE: 1/2" = 1'-0"  
KAWNEER TRIFAB VG 451T STICK FABRICATION SSG - 2" X 4 1/2"  
EXTERIOR STOREFRONT  
1" INSULATED GLASS (FRONT SET)  
QUANTITY: 2

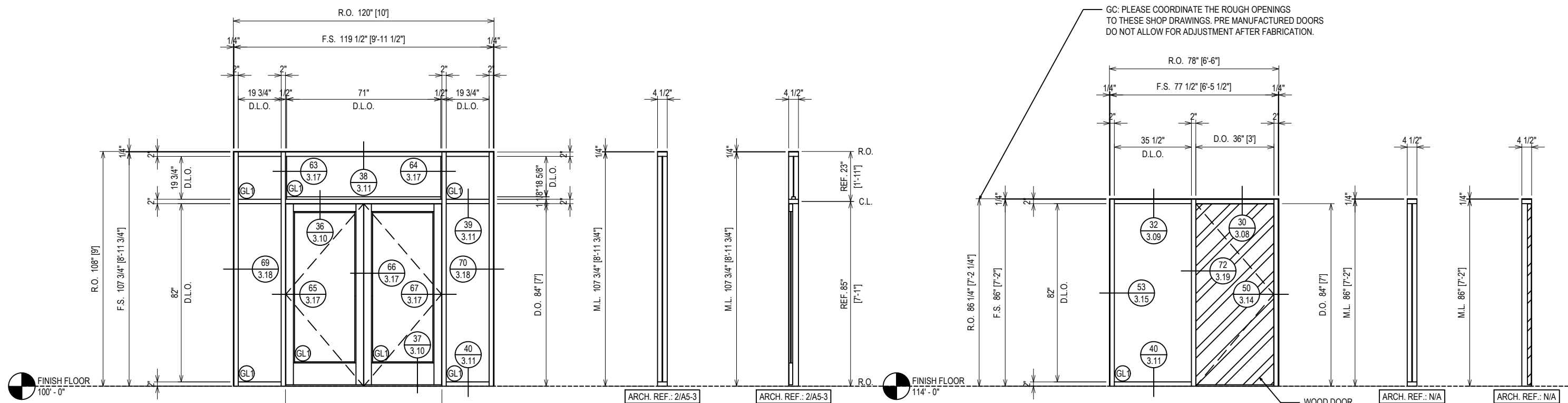


ERECTOR / G.C. NOTE:  
PLEASE FIELD VERIFY ALL DIMENSIONS

1ST SUBMISSION	01.07.20
1ST REVISION	01.23.20
2ND REVISION	03.11.20
NO	DATE
DESCRIPTION	
DRAWING SUBMISSION	

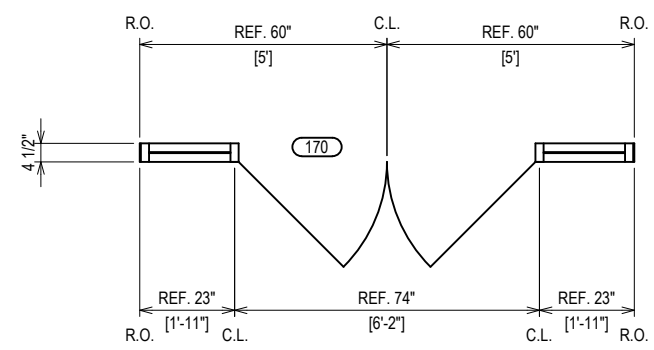
PROJECT: INNOVATIVE DENTAL CENTER FOR GENERAL & ADVANCED DENTISTRY  
LOCATION: 3192 E. FARM ROAD 188 SPRINGFIELD, MO 65721  
P: 417.883.6555

DRAWN BY: RA	DATE: 01.07.20
CHECKED BY: TF	DATE: 01.07.20

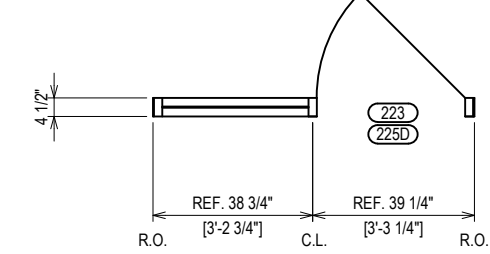


GC: PLEASE COORDINATE THE ROUGH OPENINGS TO THESE SHOP DRAWINGS. PRE MANUFACTURED DOORS DO NOT ALLOW FOR ADJUSTMENT AFTER FABRICATION.

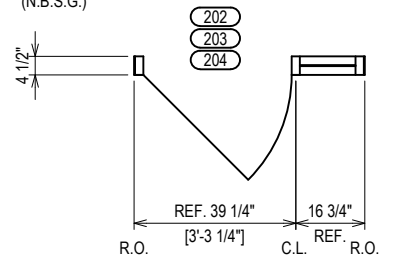
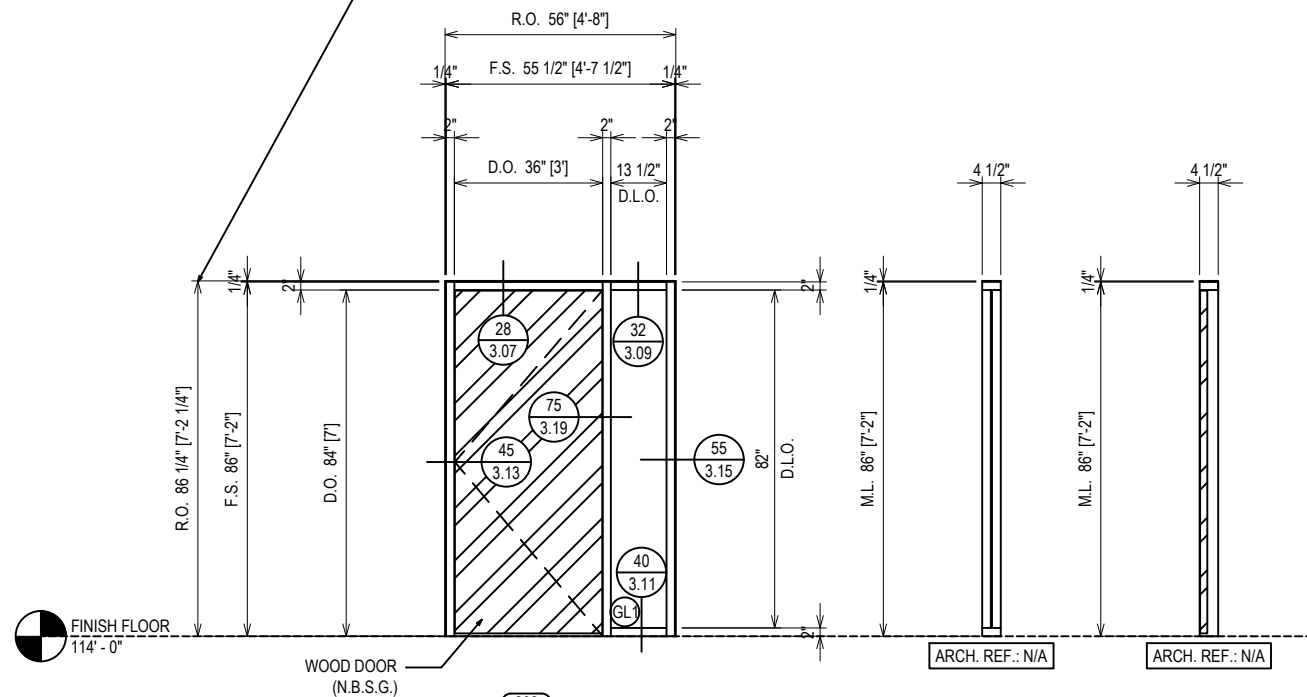
GC: PLEASE COORDINATE THE ROUGH OPENINGS TO THESE SHOP DRAWINGS. PRE MANUFACTURED DOORS DO NOT ALLOW FOR ADJUSTMENT AFTER FABRICATION.



**ELEVATION F11**  
 SCALE: 1/2" = 1'-0"  
 KAWNEER TRIFAB VG 450 - 2" X 4 1/2"  
 INTERIOR STOREFRONT  
 1/4" TEMPERED GLASS (CENTER SET)  
 QUANTITY: 1



**ELEVATION F12**  
 SCALE: 1/2" = 1'-0"  
 KAWNEER TRIFAB VG 450 - 2" X 4 1/2"  
 INTERIOR STOREFRONT  
 1/4" TEMPERED GLASS (CENTER SET)  
 QUANTITY: 2



**ELEVATION F13**  
 SCALE: 1/2" = 1'-0"  
 KAWNEER TRIFAB VG 450 - 2" X 4 1/2"  
 INTERIOR STOREFRONT  
 1/4" TEMPERED GLASS (CENTER SET)  
 QUANTITY: 3

ERECTOR / G.C. NOTE:  
 PLEASE FIELD VERIFY ALL DIMENSIONS

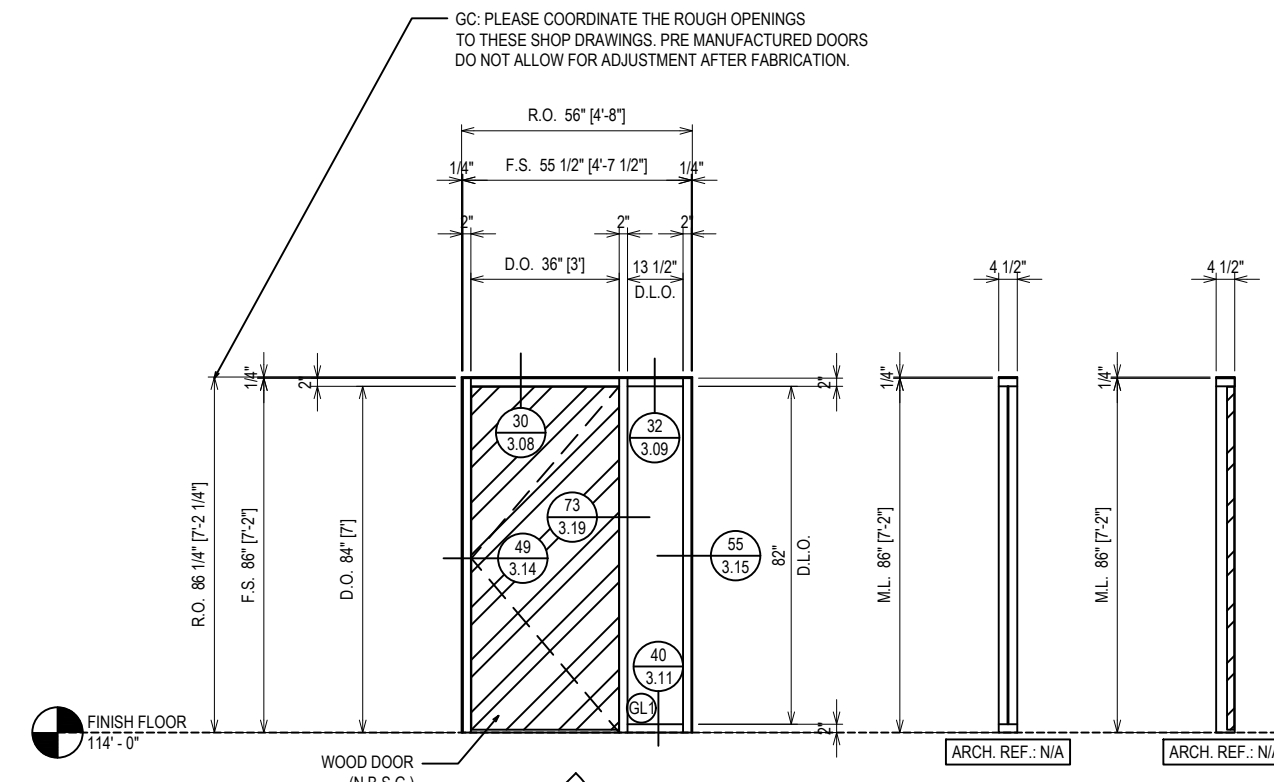
PROJECT:	INNOVATIVE DENTAL CENTER FOR GENERAL & ADVANCED DENTISTRY	LOCATION:	3192 E. FARM ROAD 188 SPRINGFIELD, MO 65721
DRAWN BY:	RA	DATE:	01.07.20
CHECKED BY:	TF	DATE:	01.07.20
1ST SUBMISSION	01.07.20	1ST REVISION	01.23.20
2ND REVISION	03.11.20	NO	DATE
DESCRIPTION	DRAWING SUBMISSION		
<b>SPRINGFIELD GLASS COMPANY</b> <b>2503 NORTH OAK GROVE AVE.</b> <b>SPRINGFIELD, MO 65803</b> <b>P: 417.883.6555</b>			
<b>2.08</b>			

1ST SUBMISSION	01.07.20
1ST REVISION	01.23.20
2ND REVISION	03.11.20
NO	
DESCRIPTION	
DRAWING SUBMISSION	DATE

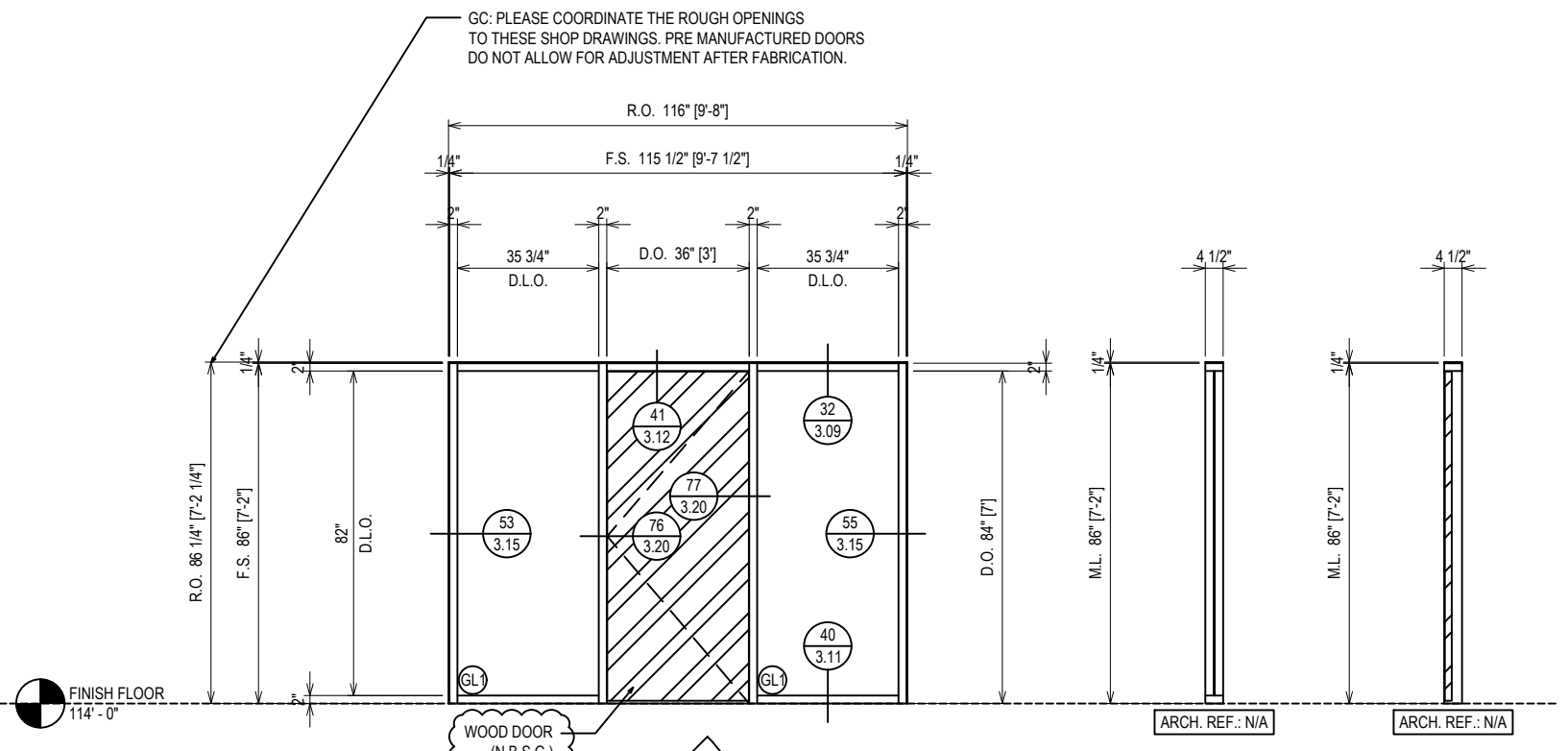
**SPRINGFIELD GLASS COMPANY**  
 2503 NORTH OAK GROVE AVE.  
 SPRINGFIELD, MO 65803  
 P: 417.883.6555

PROJECT: INNOVATIVE DENTAL  
 CENTER FOR GENERAL &  
 ADVANCED DENTISTRY  
 LOCATION: 3192 E. FARM ROAD 188  
 SPRINGFIELD, MO 65721

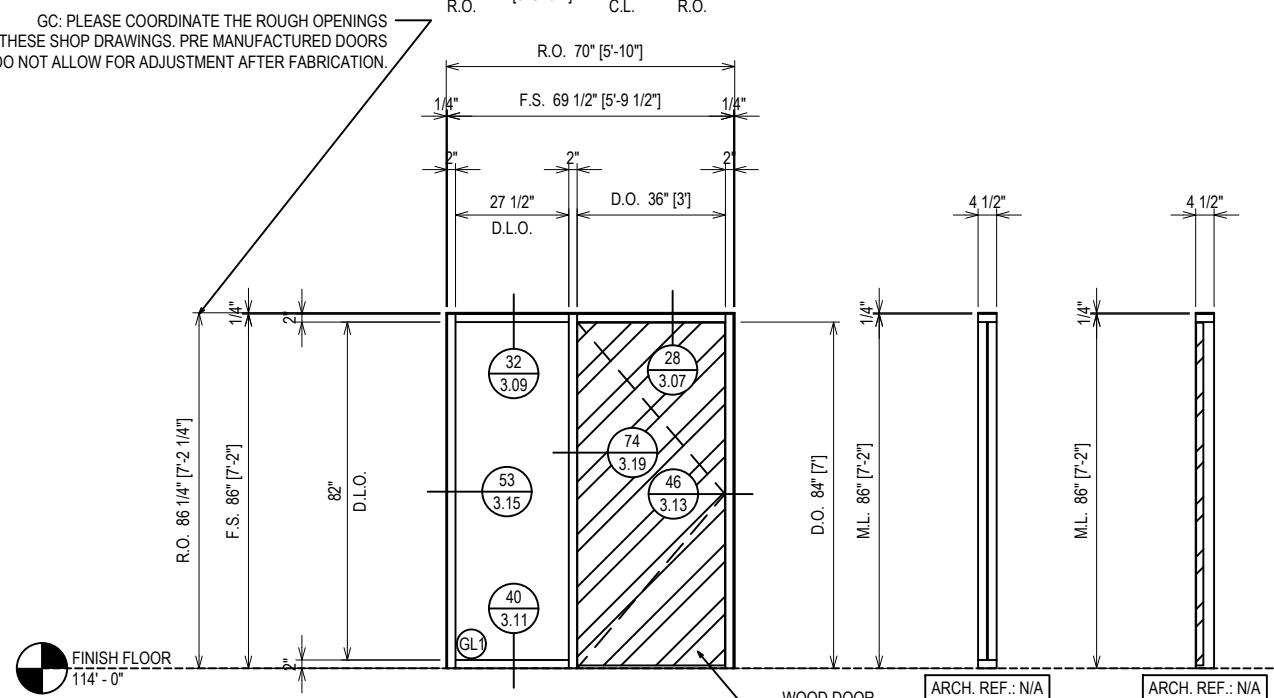
DRAWN BY:	DATE:
RA	01.07.20
CHECKED BY:	DATE:
TF	01.07.20



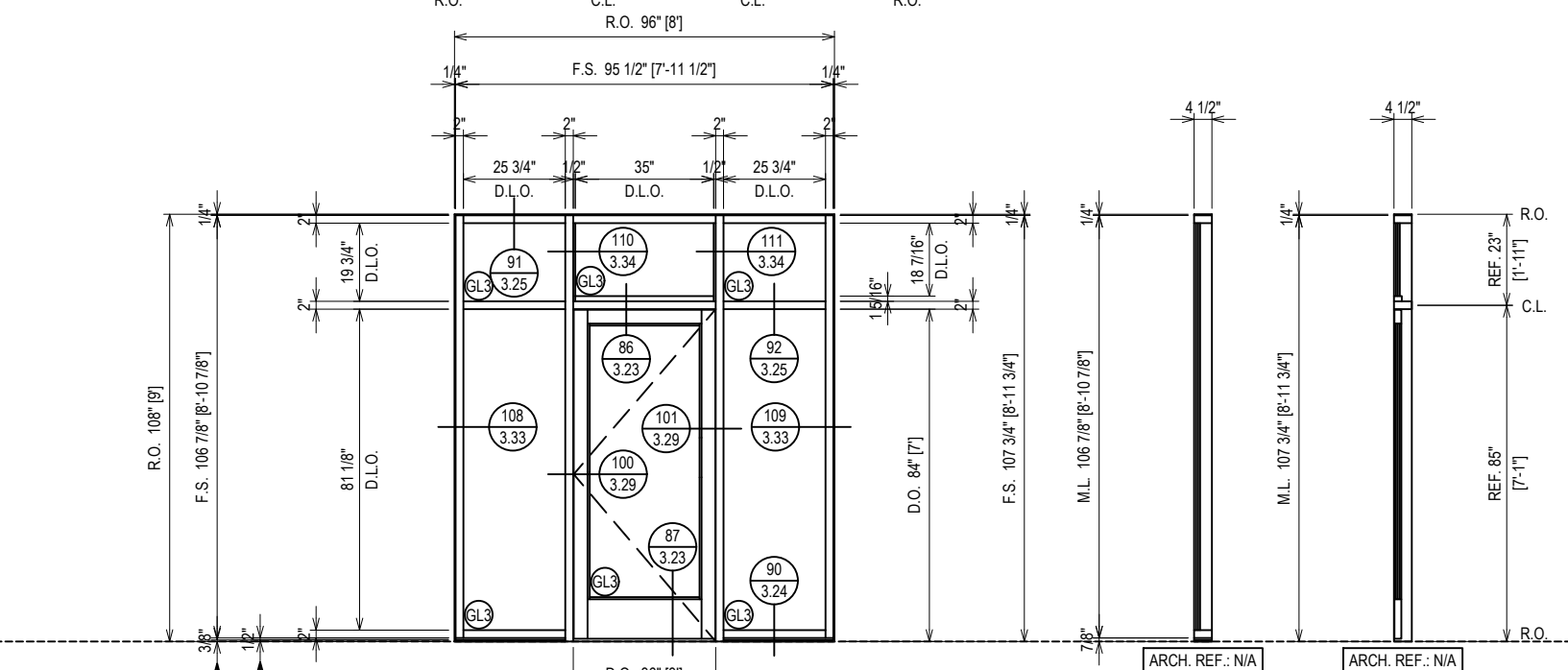
**ELEVATION F13.1**  
 SCALE: 1/2" = 1'-0"  
 KAWNEER TRIFAB VG 450 - 2" X 4 1/2"  
 INTERIOR STOREFRONT  
 1/4" TEMPERED GLASS (CENTER SET)  
 QUANTITY: 1



**ELEVATION F14**  
 SCALE: 1/2" = 1'-0"  
 KAWNEER TRIFAB VG 450 - 2" X 4 1/2"  
 INTERIOR STOREFRONT  
 1/4" TEMPERED GLASS (CENTER SET)  
 QUANTITY: 1

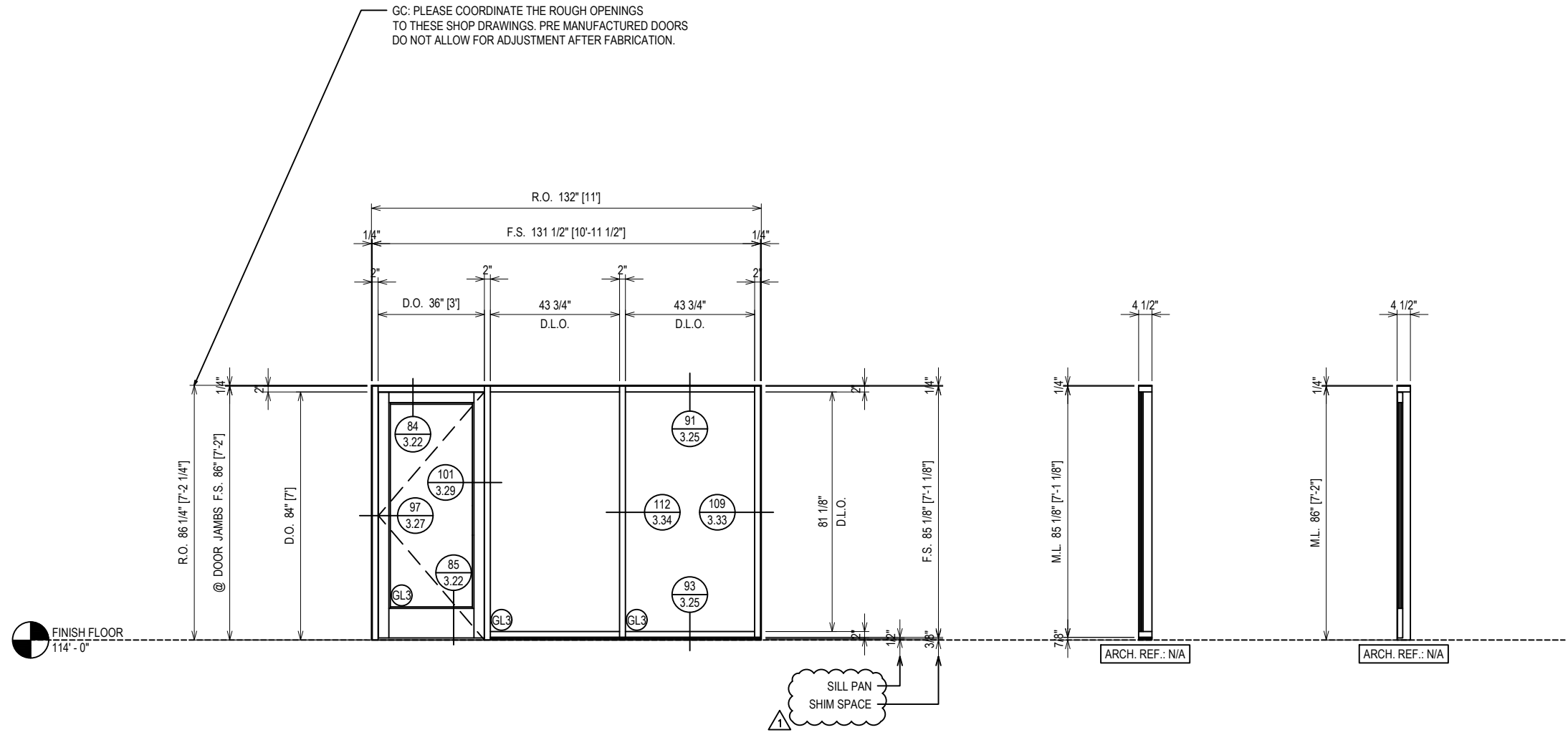


**ELEVATION F15**  
 SCALE: 1/2" = 1'-0"  
 KAWNEER TRIFAB VG 450 - 2" X 4 1/2"  
 INTERIOR STOREFRONT  
 1/4" TEMPERED GLASS (CENTER SET)  
 QUANTITY: 1

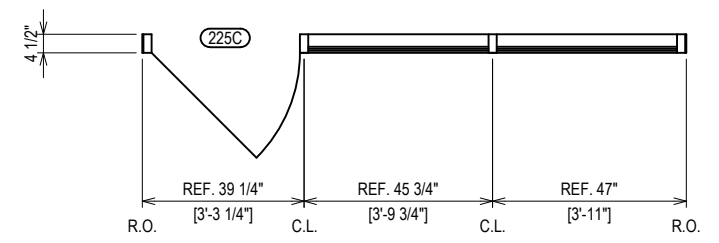


**ELEVATION F16**  
 SCALE: 1/2" = 1'-0"  
 KAWNEER TRIFAB VG 451T - 2" X 4 1/2"  
 EXTERIOR STOREFRONT  
 1" INSULATED GLASS (FRONT SET)  
 QUANTITY: 3

ERECTOR / G.C. NOTE:  
 PLEASE FIELD VERIFY ALL DIMENSIONS



FINISH FLOOR  
114' - 0"



ELEVATION **F17**  
SCALE: 1/2" = 1'-0"  
KAWNEER TRIFAB VG 451T - 2" X 4 1/2"  
EXTERIOR STOREFRONT  
1" INSULATED GLASS (FRONT SET)  
QUANTITY: 1

ERECTOR / G.C. NOTE:  
PLEASE FIELD VERIFY ALL DIMENSIONS

1ST SUBMISSION	01.07.20
1ST REVISION	01.23.20
2ND REVISION	03.11.20
NO	DATE
DESCRIPTION	DRAWING SUBMISSION

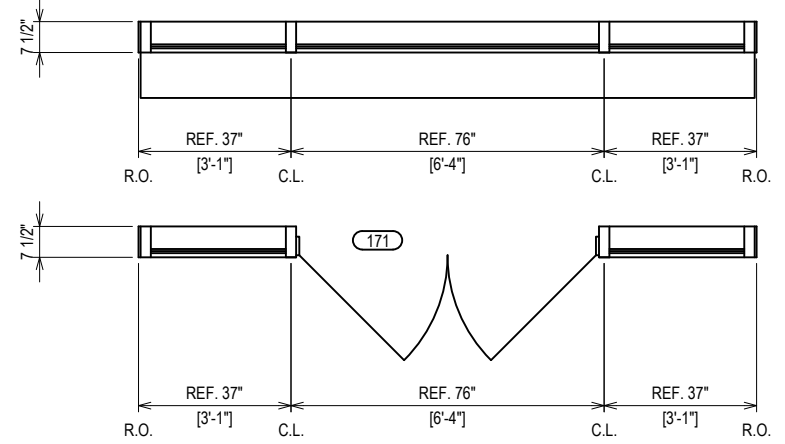
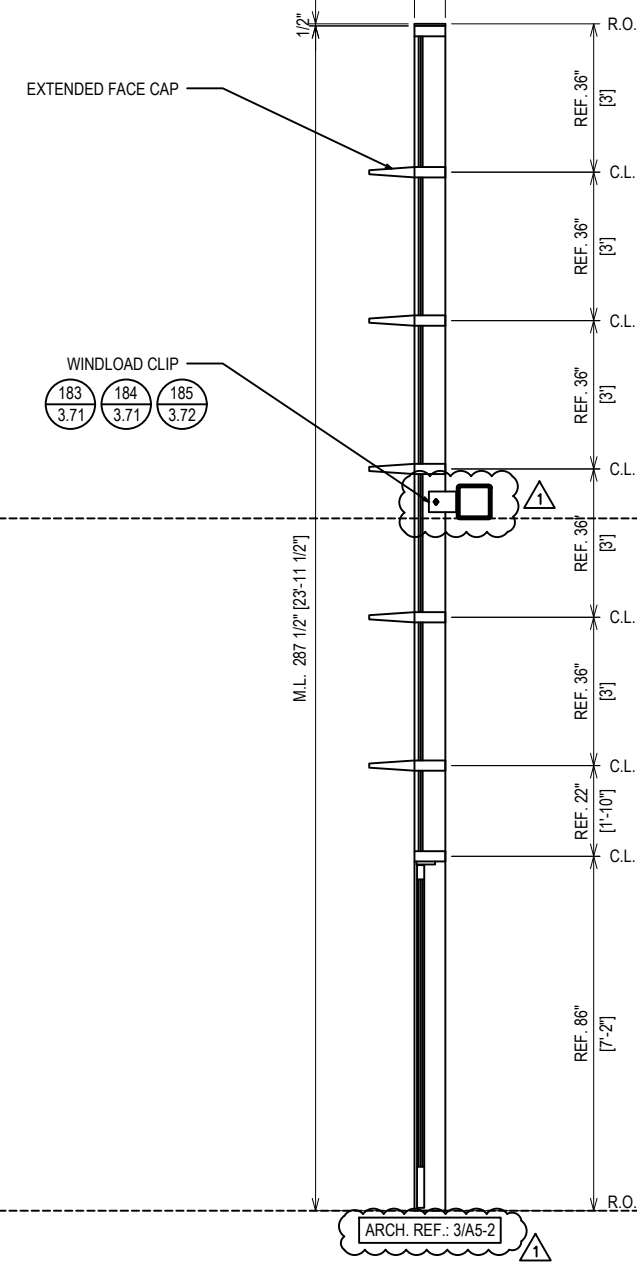
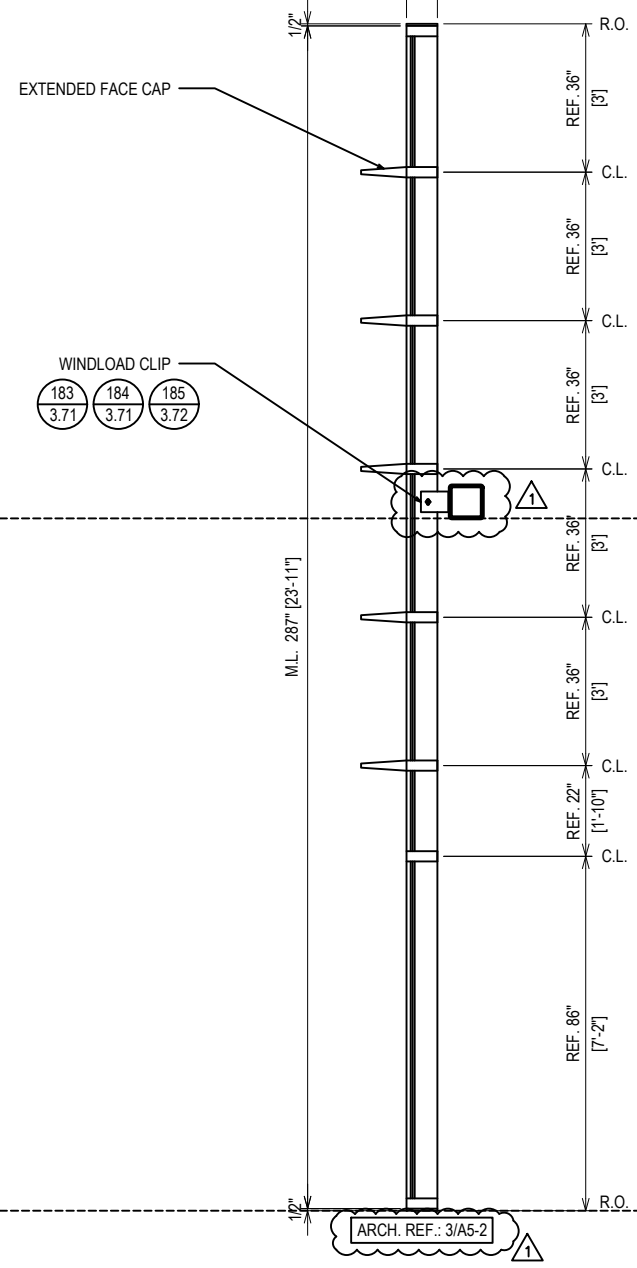
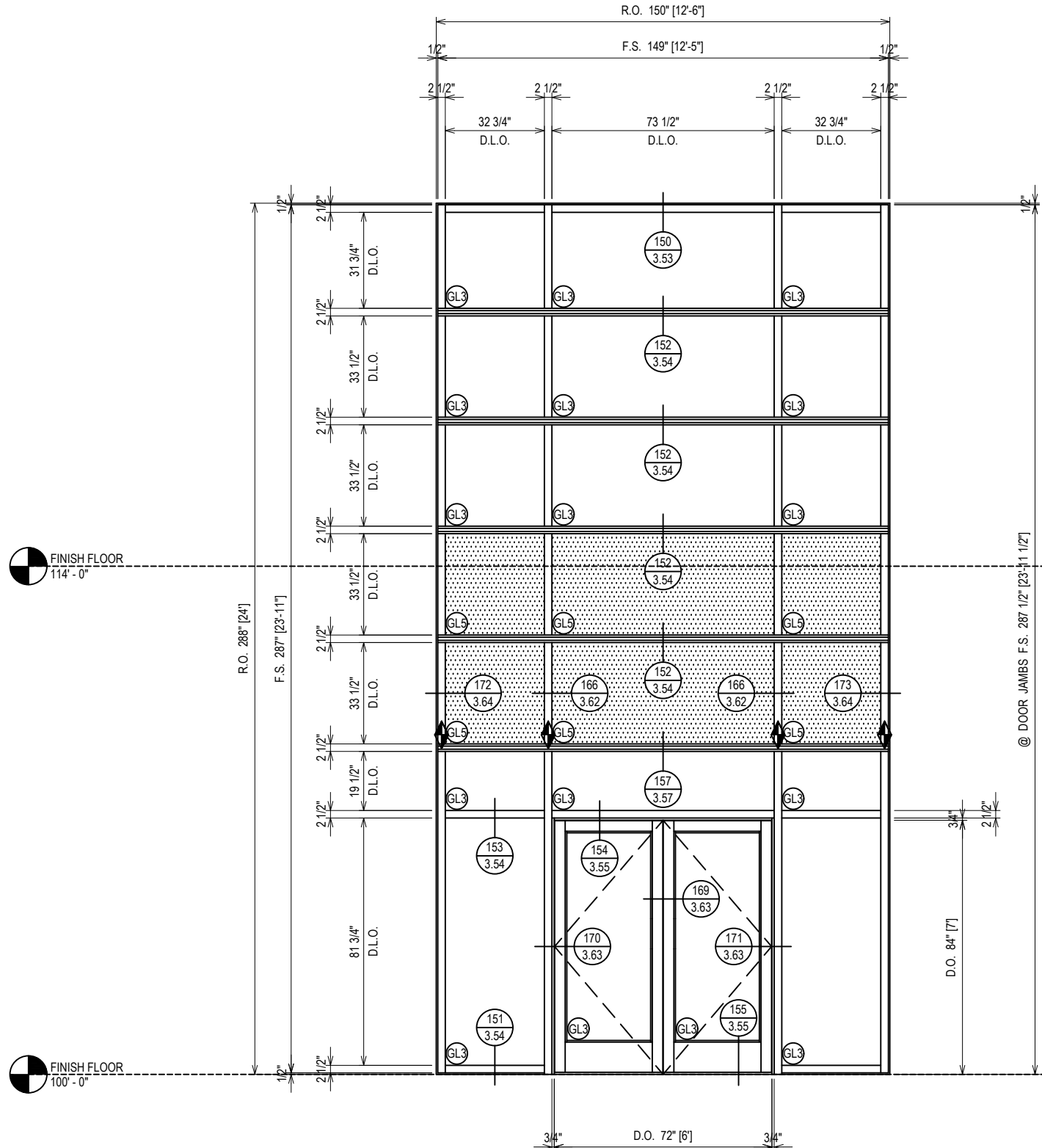
PROJECT: INNOVATIVE DENTAL  
CENTER FOR GENERAL &  
ADVANCED DENTISTRY  
LOCATION: 3192 E. FARM ROAD 188  
SPRINGFIELD, MO 65721

SPRINGFIELD GLASS COMPANY  
2503 NORTH OAK GROVE AVE.  
SPRINGFIELD, MO 65803  
P: 417.883.6555

PROJECT: INNOVATIVE DENTAL  
CENTER FOR GENERAL &  
ADVANCED DENTISTRY  
LOCATION: 3192 E. FARM ROAD 188  
SPRINGFIELD, MO 65721

DRAWN BY:	DATE:
RA	01.07.20
CHECKED BY:	DATE:
TF	01.07.20





ELEVATION F18  
 SCALE: 1/2" = 1'-0"  
 KAWNEER 1600 - 2 1/2" X 7 1/2"  
 EXTERIOR CURTAIN WALL  
 1" INSULATED GLASS  
 QUANTITY: 1

ERECTOR / G.C. NOTE:  
 PLEASE FIELD VERIFY ALL DIMENSIONS

1ST SUBMISSION	01.07.20
1ST REVISION	01.23.20
2ND REVISION	03.11.20
NO	DATE
DRAWING SUBMISSION	

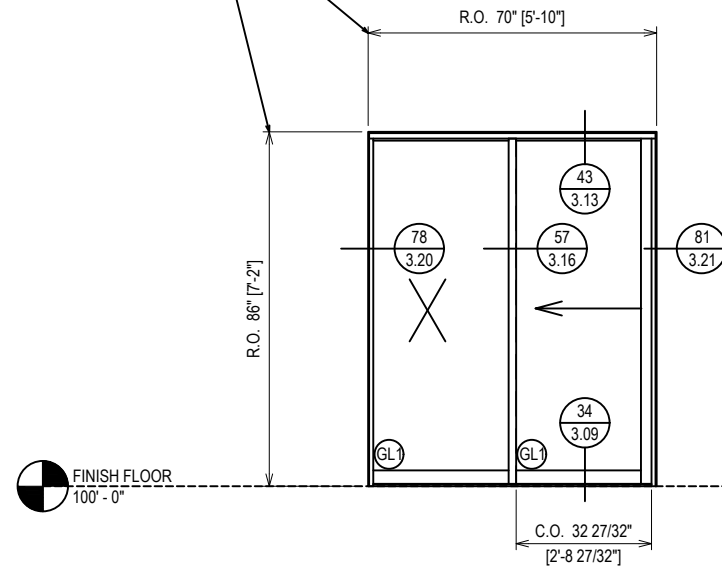
PROJECT: INNOVATIVE DENTAL  
 CENTER FOR GENERAL &  
 ADVANCED DENTISTRY  
 LOCATION: 3192 E. FARM ROAD 188  
 SPRINGFIELD, MO 65721

PROJECT: INNOVATIVE DENTAL  
 CENTER FOR GENERAL &  
 ADVANCED DENTISTRY  
 LOCATION: 3192 E. FARM ROAD 188  
 SPRINGFIELD, MO 65721

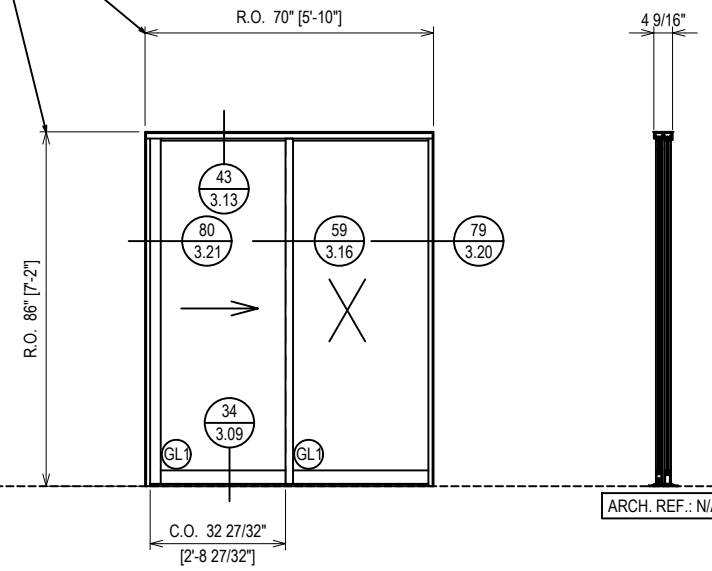
DRAWN BY:	DATE:
RA	01.07.20
CHECKED BY:	DATE:
TF	01.07.20

GC: PLEASE COORDINATE THE ROUGH OPENINGS TO THESE SHOP DRAWINGS. PRE MANUFACTURED DOORS DO NOT ALLOW FOR ADJUSTMENT AFTER FABRICATION.

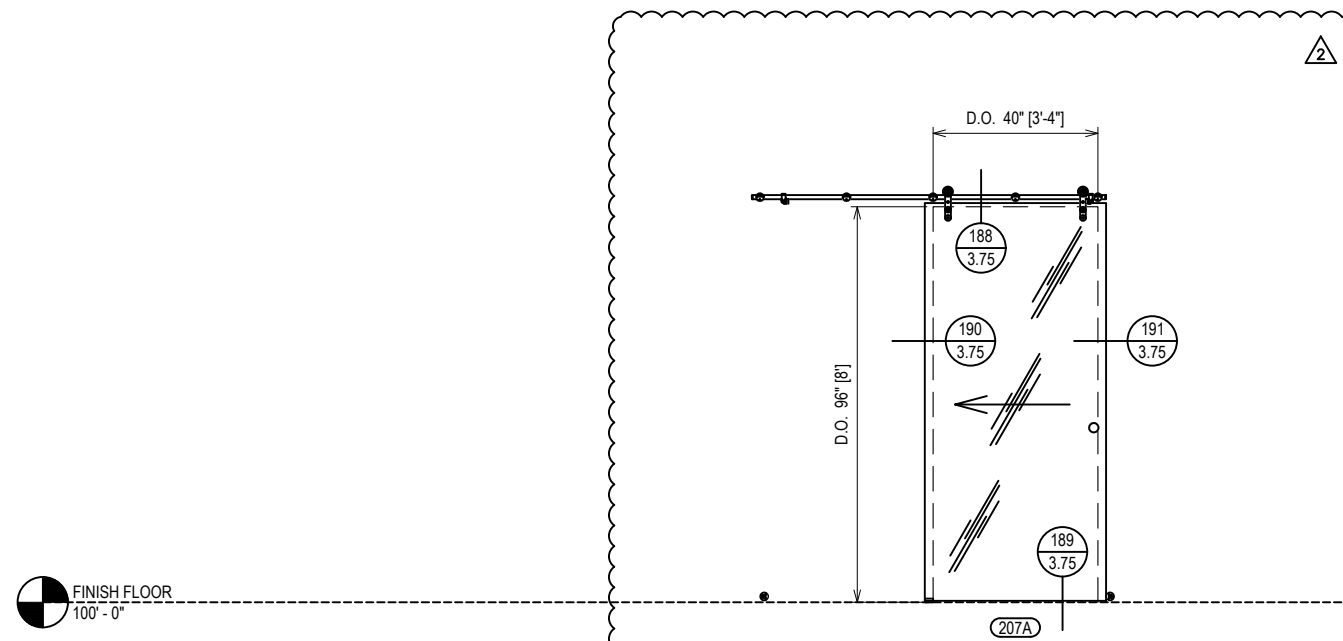
GC: PLEASE COORDINATE THE ROUGH OPENINGS TO THESE SHOP DRAWINGS. PRE MANUFACTURED DOORS DO NOT ALLOW FOR ADJUSTMENT AFTER FABRICATION.



**ELEVATION F19**  
 SCALE: 1/2" = 1'-0"  
 KAWNEER 1010  
 SLIDING ENTRANCE  
 1/4" TEMPERED GLASS  
 QUANTITY: 3



**ELEVATION F19 OPP.**  
 SCALE: 1/2" = 1'-0"  
 KAWNEER 1010  
 SLIDING ENTRANCE  
 1/4" TEMPERED GLASS  
 QUANTITY: 2



**ELEVATION P**  
 SCALE: 1/2" = 1'-0"  
 KAWNEER TRIFAB VG 450 - 2" X 4 1/2"  
 INTERIOR STOREFRONT  
 1/4" TEMPERED GLASS (CENTER SET)  
 QUANTITY: 1

ERECTOR / G.C. NOTE:  
 PLEASE FIELD VERIFY ALL DIMENSIONS

1ST SUBMISSION	01.07.20
1ST REVISION	01.23.20
2ND REVISION	03.11.20
NO	DATE
DESCRIPTION	DRAWING SUBMISSION

SPRINGFIELD GLASS COMPANY  
 2503 NORTH OAK GROVE AVE.  
 SPRINGFIELD, MO 65803  
 P: 417.883.6555

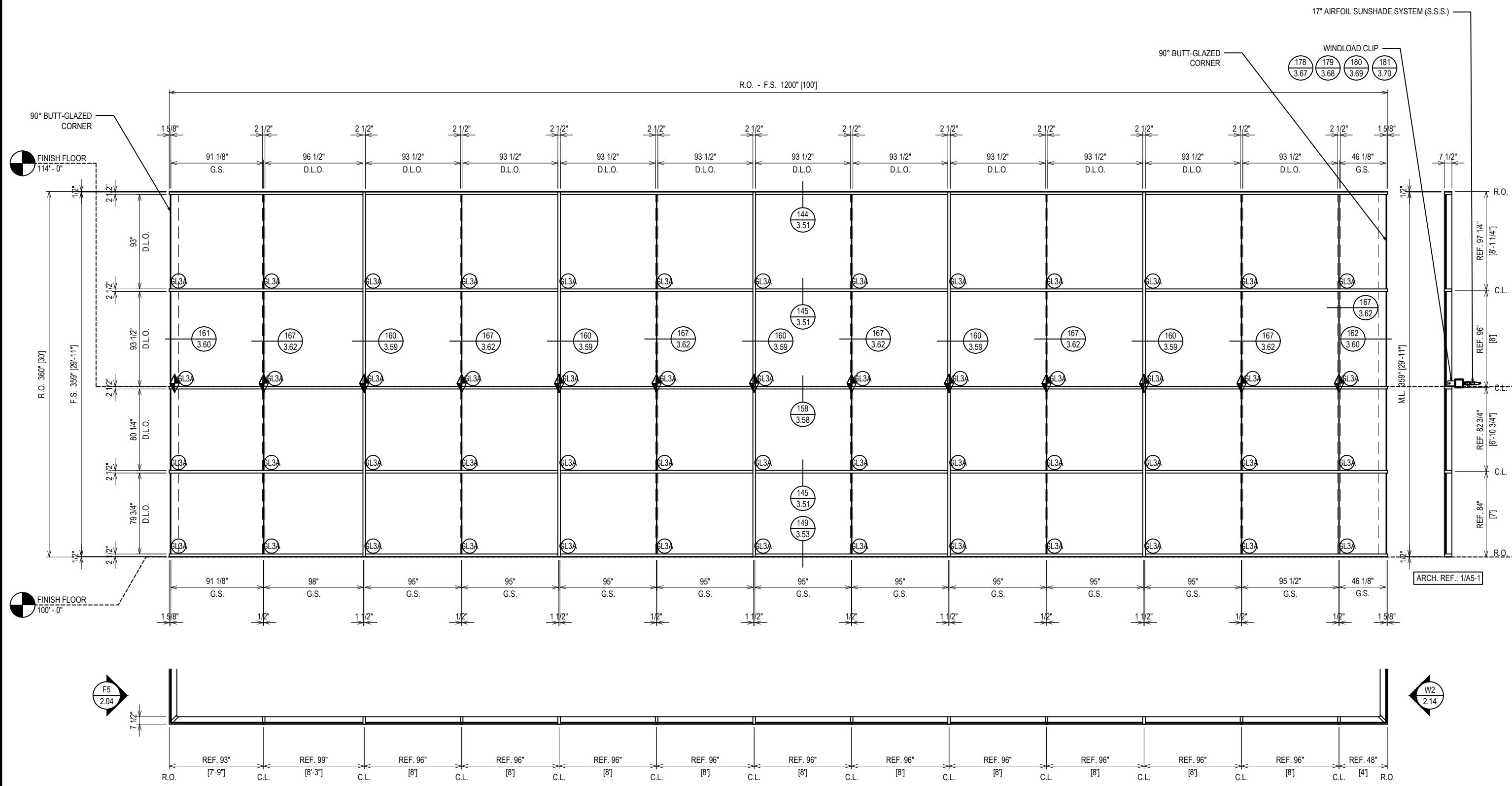
PROJECT: INNOVATIVE DENTAL  
 CENTER FOR GENERAL &  
 ADVANCED DENTISTRY  
 LOCATION: 3192 E. FARM ROAD 188  
 SPRINGFIELD, MO 65721

DRAWN BY:	DATE:
RA	01.07.20
CHECKED BY:	DATE:
TF	01.07.20

NOTE: CUSTOM MULLION LENGTHS USED

01.07.20	1ST SUBMISSION	NO	DESCRIPTION	DRAWING SUBMISSION
01.23.20	1ST REVISION	A		
03.11.20	2ND REVISION	A		

PROJECT: INNOVATIVE DENTAL CENTER FOR GENERAL & ADVANCED DENTISTRY  
 LOCATION: 3192 E. FARM ROAD 188 SPRINGFIELD, MO 65721  
 SPRINGFIELD GLASS COMPANY  
 2503 NORTH OAK GROVE AVE.  
 SPRINGFIELD, MO 65803  
 P: 417.883.6555

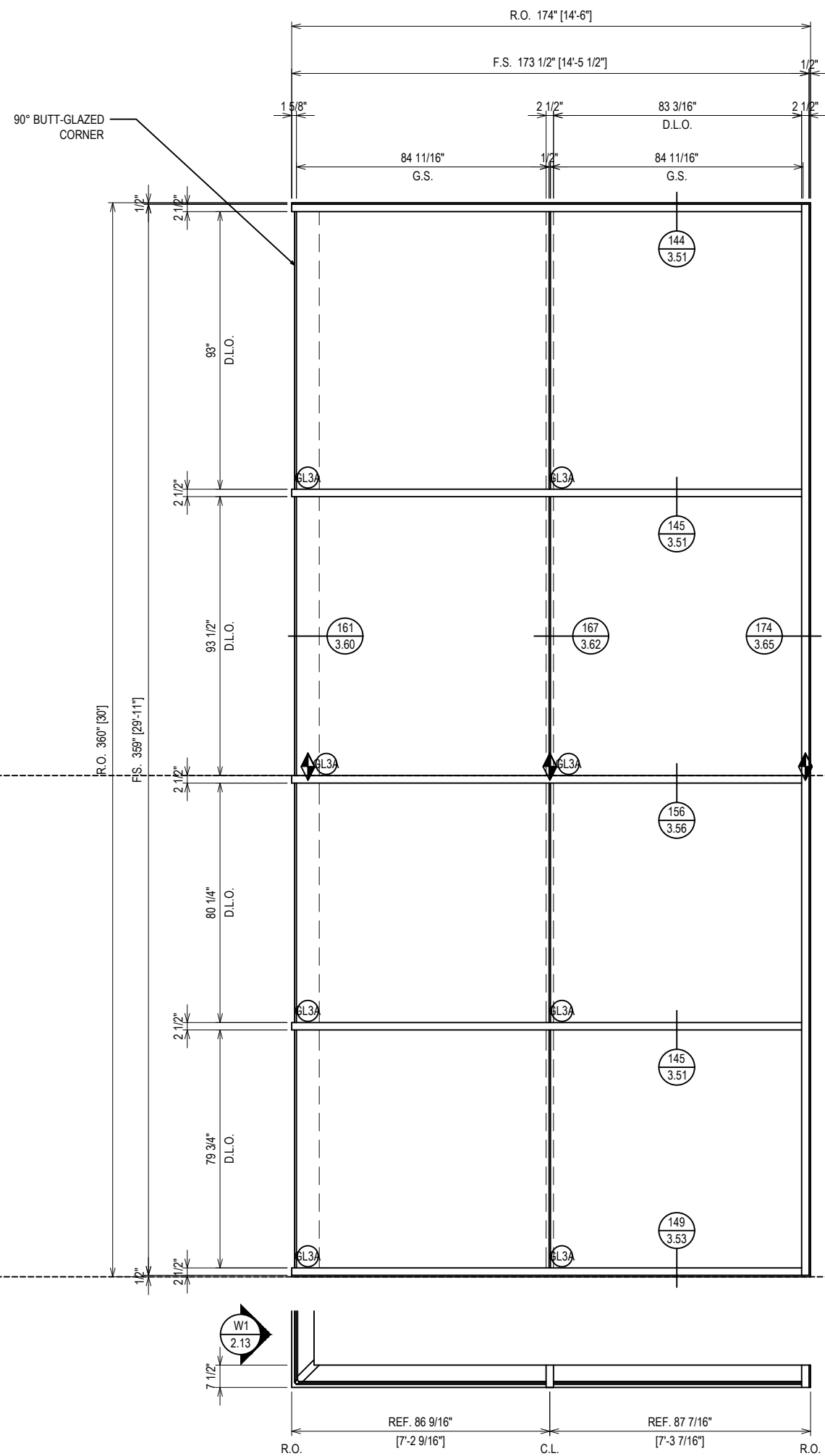


**ELEVATION W1**  
 SCALE: 1/4" = 1'-0"  
 KAWNEER 1600 - 2 1/2" X 7 1/2"  
 EXTERIOR CURTAIN WALL  
 1 1/8" INSULATED GLASS  
 QUANTITY: 1

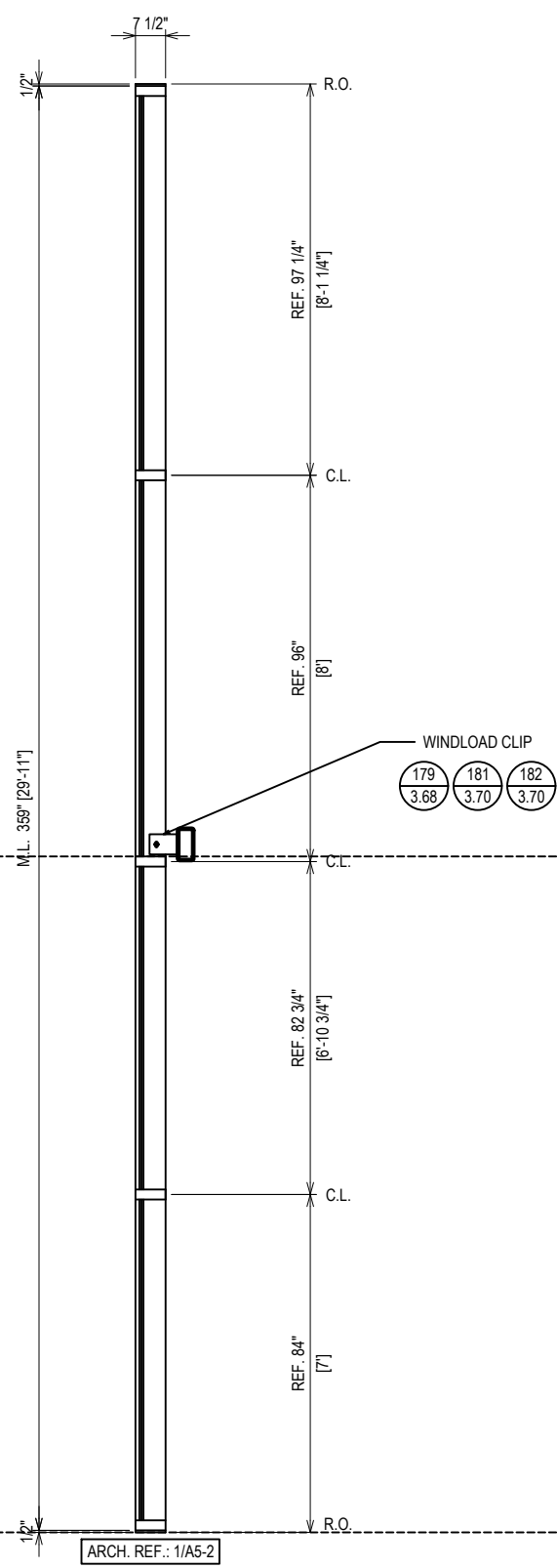
NOTE: 1 1/8" GLASS WITH ACOUSTICAL SPACER

ERECTOR / G.C. NOTE:  
 PLEASE FIELD VERIFY ALL DIMENSIONS

DRAWN BY:	RA	DATE:	01.07.20
CHECKED BY:	TF	DATE:	01.07.20



NOTE: CUSTOM MULLION LENGTHS USED



ELEVATION **W2**  
 SCALE: 1/2" = 1'-0"  
 KAWNEER 1600 - 2 1/2" X 7 1/2"  
 EXTERIOR CURTAIN WALL  
 1 1/8" INSULATED GLASS  
 QUANTITY: 1

NOTE: 1 1/8" GLASS WITH ACOUSTICAL SPACER

ERECTOR / G.C. NOTE:  
 PLEASE FIELD VERIFY ALL DIMENSIONS

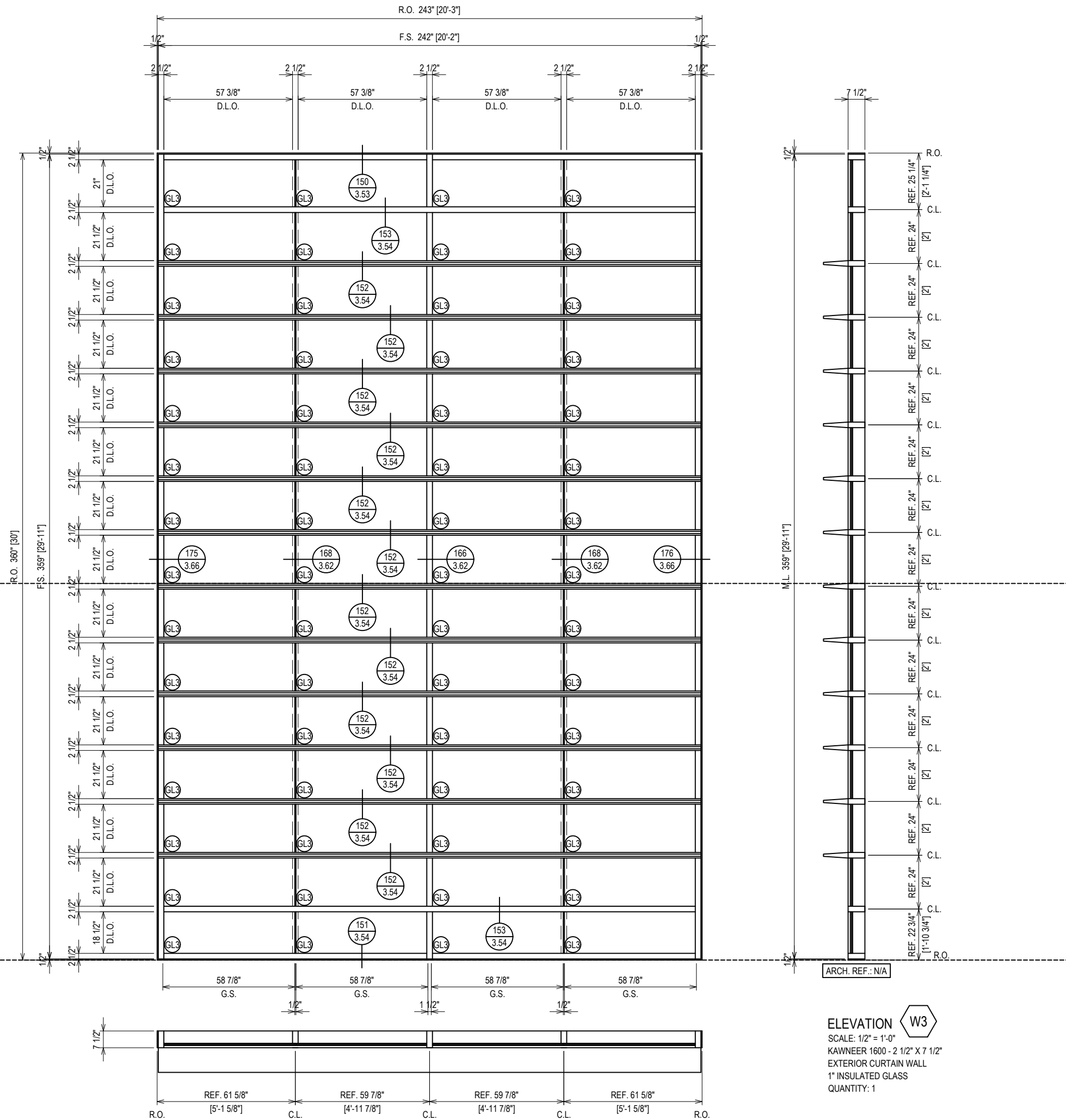
PROJECT:	INNOVATIVE DENTAL CENTER FOR GENERAL & ADVANCED DENTISTRY	LOCATION:	3192 E. FARM ROAD 188 SPRINGFIELD, MO 65721
DRAWN BY:	RA	DATE:	01.07.20
CHECKED BY:	TF	DATE:	01.07.20
1ST SUBMISSION	01.07.20	1ST REVISION	01.23.20
2ND REVISION	03.11.20	NO	DESCRIPTION
DRAWING SUBMISSION		DATE	

SPRINGFIELD GLASS COMPANY  
 2503 NORTH OAK GROVE AVE.  
 SPRINGFIELD, MO 65803  
 P: 417.883.6555

2.14

FINISH FLOOR  
114'-0"

FINISH FLOOR  
100'-0"



ELEVATION **W3**  
SCALE: 1/2" = 1'-0"  
KAWNEER 1600 - 2 1/2" X 7 1/2"  
EXTERIOR CURTAIN WALL  
1" INSULATED GLASS  
QUANTITY: 1

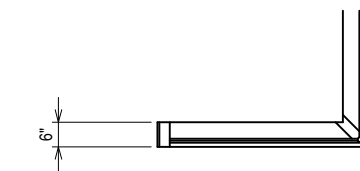
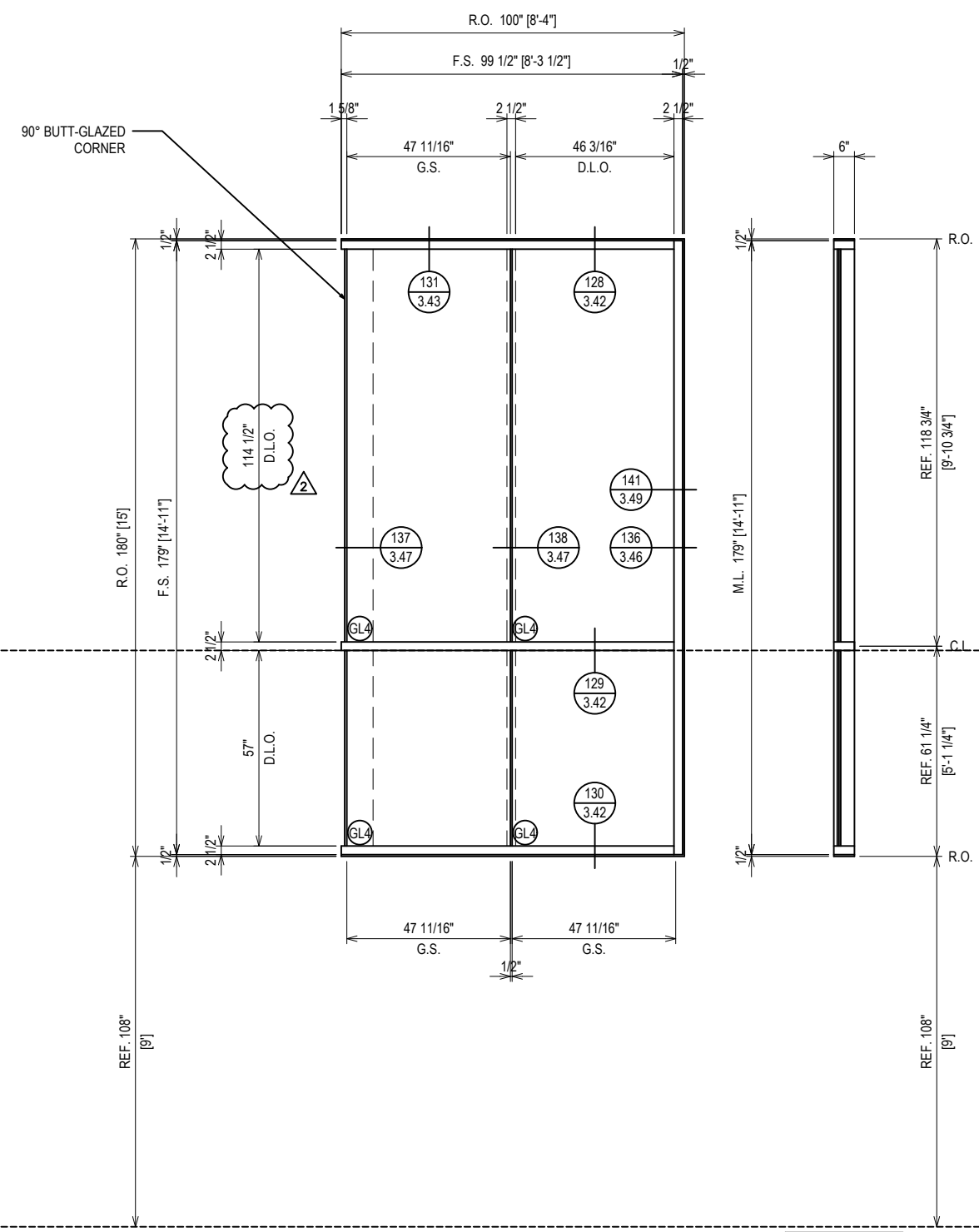
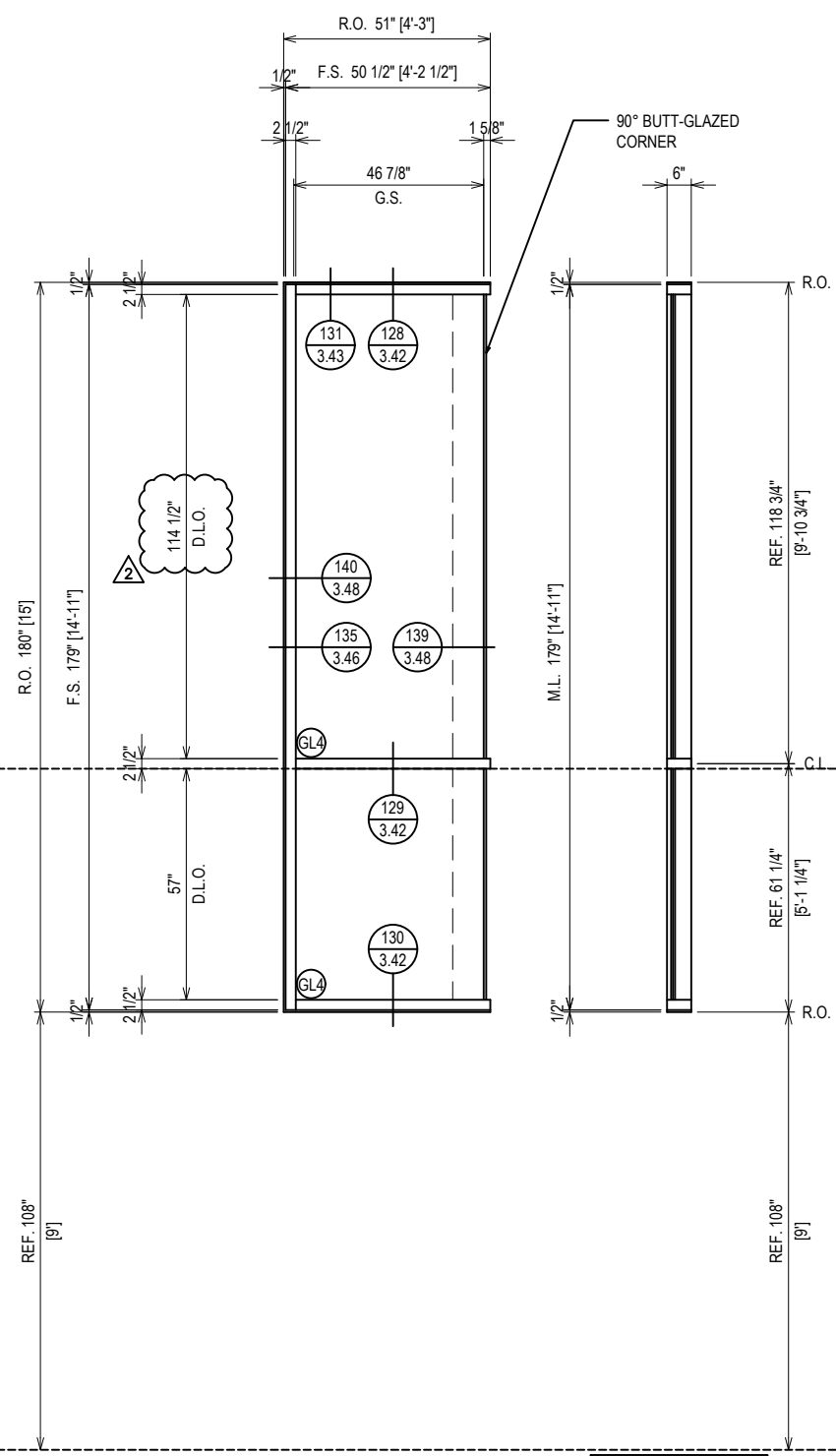
ERECTOR / G.C. NOTE:  
PLEASE FIELD VERIFY ALL DIMENSIONS

1ST SUBMISSION	01.07.20
1ST REVISION	01.23.20
2ND REVISION	03.11.20
NO	DATE
DESCRIPTION	DRAWING SUBMISSION

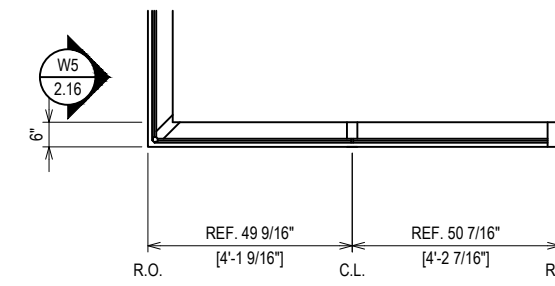
PROJECT: INNOVATIVE DENTAL  
CENTER FOR GENERAL &  
ADVANCED DENTISTRY  
LOCATION: 3192 E. FARM ROAD 188  
SPRINGFIELD, MO 65721

SPRINGFIELD GLASS COMPANY  
2503 NORTH OAK GROVE AVE.  
SPRINGFIELD, MO 65803  
P: 417.883.6555

DRAWN BY:	DATE:
RA	01.07.20
CHECKED BY:	DATE:
TF	01.07.20



**ELEVATION W5**  
 SCALE: 1/2" = 1'-0"  
 KAWNEER 1600 - 2 1/2" X 6"  
 EXTERIOR CURTAIN WALL  
 1" INSULATED GLASS  
 QUANTITY: 2



**ELEVATION W6**  
 SCALE: 1/2" = 1'-0"  
 KAWNEER 1600 - 2 1/2" X 6"  
 EXTERIOR CURTAIN WALL  
 1" INSULATED GLASS  
 QUANTITY: 2

ERECTOR / G.C. NOTE:  
 PLEASE FIELD VERIFY ALL DIMENSIONS

1ST SUBMISSION	01.07.20
1ST REVISION	01.23.20
2ND REVISION	03.11.20
NO	DATE
DESCRIPTION	DRAWING SUBMISSION

**SPRINGFIELD GLASS COMPANY**  
 2503 NORTH OAK GROVE AVE.  
 SPRINGFIELD, MO 65803  
 P: 417.883.6555

PROJECT: INNOVATIVE DENTAL  
 CENTER FOR GENERAL &  
 ADVANCED DENTISTRY

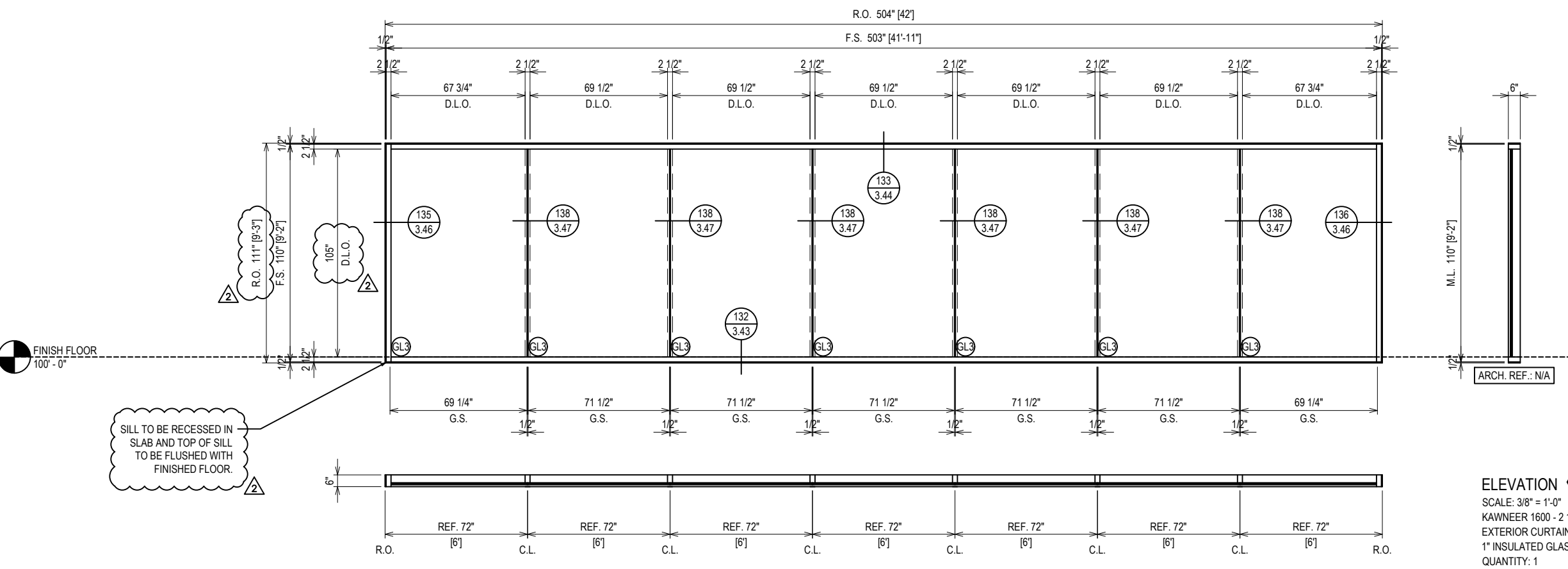
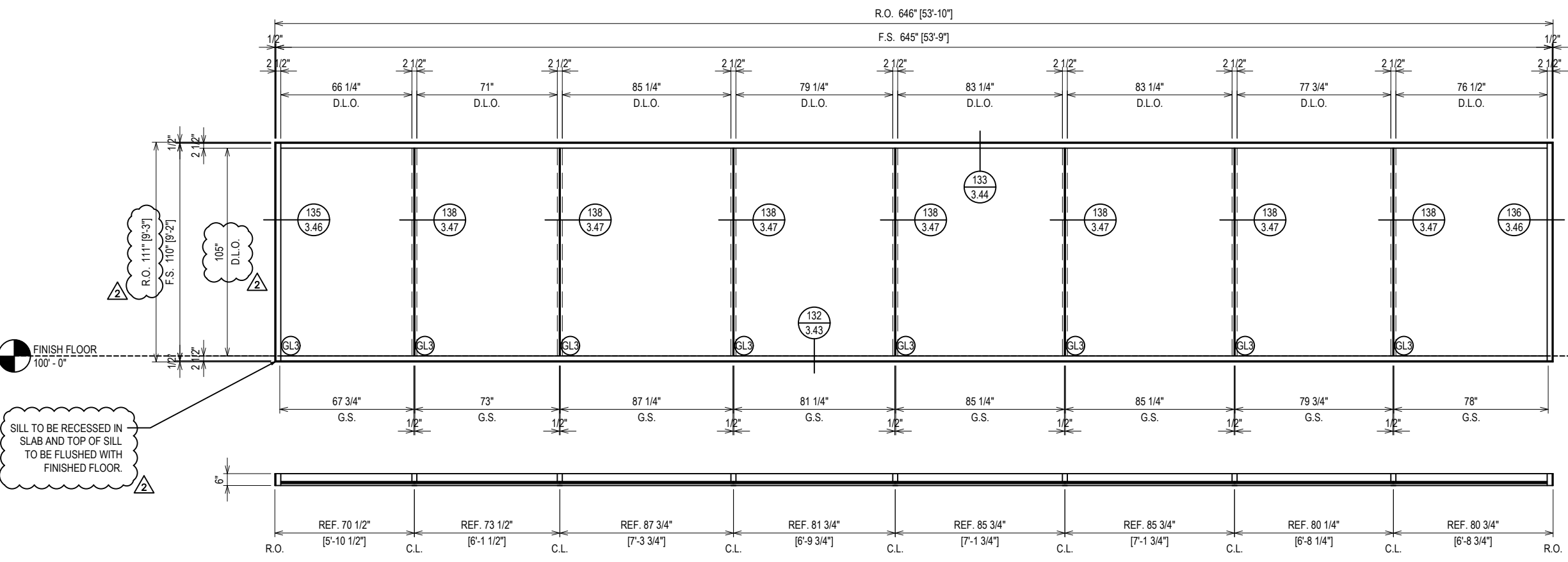
LOCATION: 3192 E. FARM ROAD 188  
 SPRINGFIELD, MO 65721

DRAWN BY: RA	DATE: 01.07.20
CHECKED BY: TF	DATE: 01.07.20

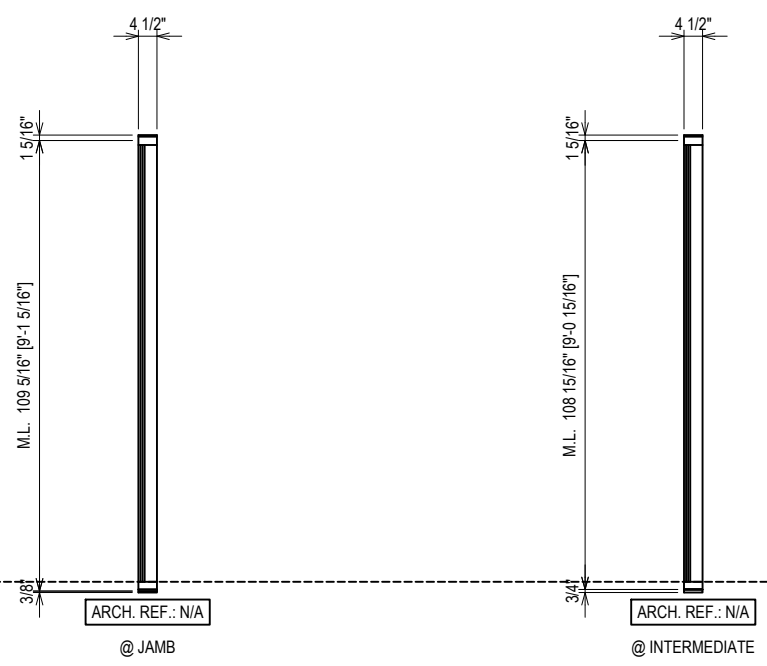
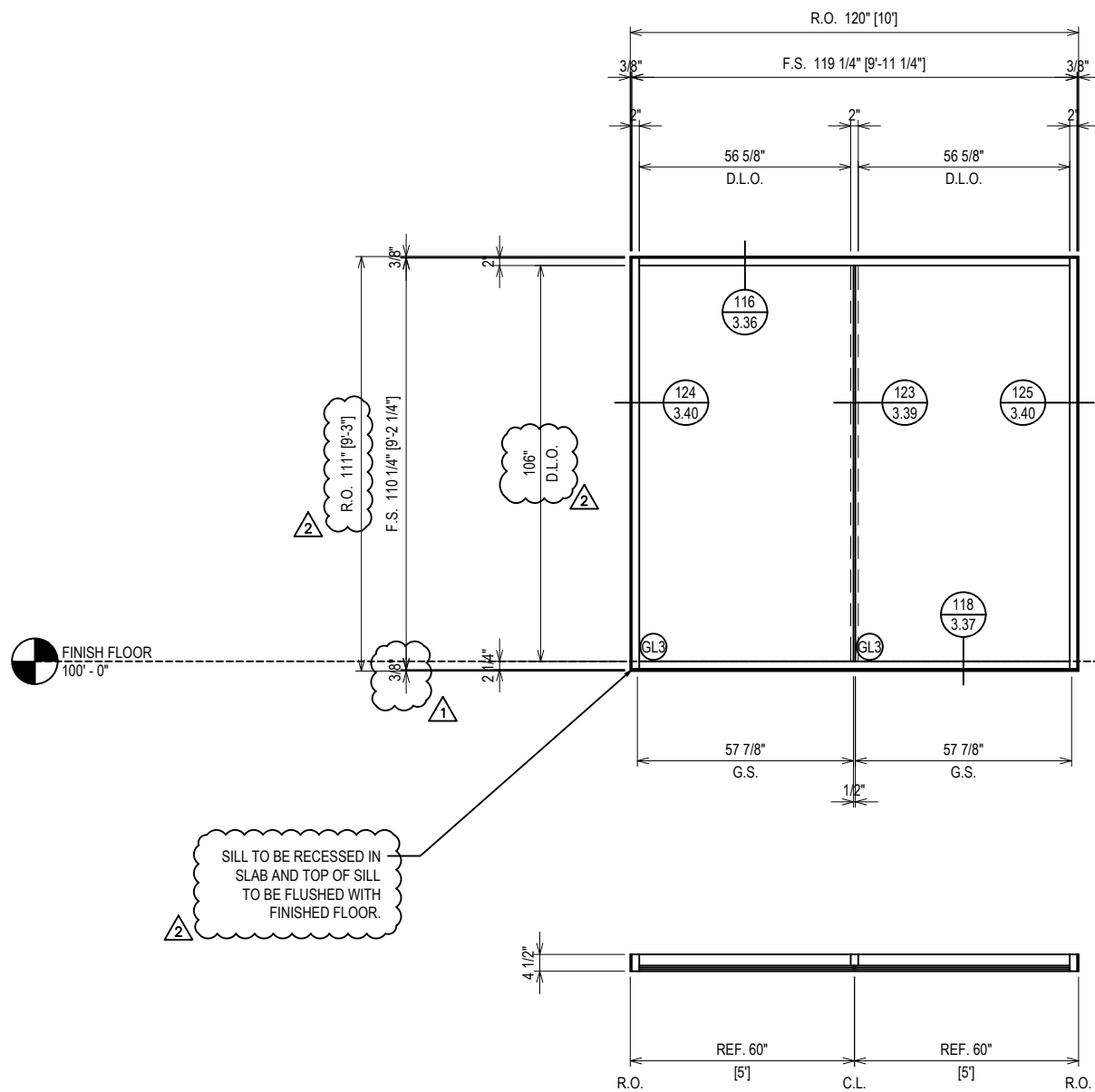
1ST SUBMISSION	01.07.20
1ST REVISION	01.23.20
2ND REVISION	03.11.20
NO	DATE
DESCRIPTION	DRAWING SUBMISSION

PROJECT: INNOVATIVE DENTAL CENTER FOR GENERAL & ADVANCED DENTISTRY  
 LOCATION: 3192 E. FARM ROAD 188 SPRINGFIELD, MO 65721  
 SPRINGFIELD GLASS COMPANY  
 2503 NORTH OAK GROVE AVE.  
 SPRINGFIELD, MO 65803  
 P: 417.883.6555

DRAWN BY:	RA	DATE:	01.07.20
CHECKED BY:	TF	DATE:	01.07.20



ERECTOR / G.C. NOTE:  
PLEASE FIELD VERIFY ALL DIMENSIONS



**ELEVATION W9**  
 SCALE: 1/2" = 1'-0"  
 KAWNEER TRIFAB VG 451T STICK FABRICATION SSG - 2" X 4 1/2"  
 EXTERIOR STOREFRONT  
 1" INSULATED GLASS (FRONT SET)  
 QUANTITY: 1

1ST SUBMISSION	01.07.20
1ST REVISION	01.23.20
2ND REVISION	03.11.20
NO	DATE
DRAWING SUBMISSION	

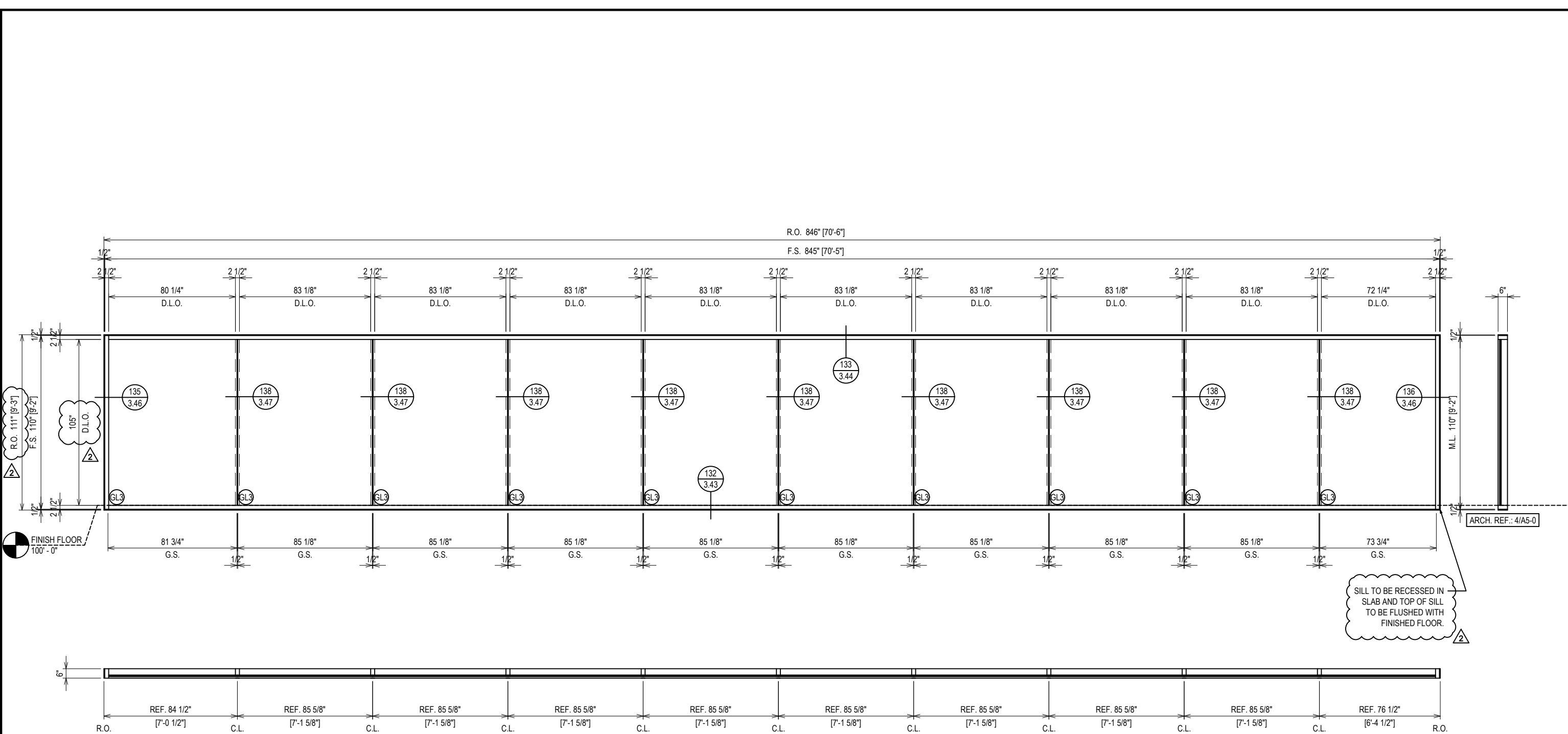
**SPRINGFIELD GLASS COMPANY**  
 2503 NORTH OAK GROVE AVE.  
 SPRINGFIELD, MO 65803  
 P: 417.883.6555

PROJECT: INNOVATIVE DENTAL  
 CENTER FOR GENERAL &  
 ADVANCED DENTISTRY  
 LOCATION: 3192 E. FARM ROAD 188  
 SPRINGFIELD, MO 65721

DRAWN BY:	DATE:
RA	01.07.20
CHECKED BY:	DATE:
TF	01.07.20

ERECTOR / G.C. NOTE:  
 PLEASE FIELD VERIFY ALL DIMENSIONS





ELEVATION **W10**  
 SCALE: 3/8" = 1'-0"  
 KAWNEER 1600 - 2 1/2" X 6"  
 EXTERIOR CURTAIN WALL  
 1" INSULATED GLASS  
 QUANTITY: 1

SILL TO BE RECESSED IN  
 SLAB AND TOP OF SILL  
 TO BE FLUSHED WITH  
 FINISHED FLOOR.

1ST SUBMISSION	01.07.20
1ST REVISION	01.23.20
2ND REVISION	03.11.20
NO	DATE
DESCRIPTION	DRAWING SUBMISSION

SPRINGFIELD GLASS COMPANY  
 2503 NORTH OAK GROVE AVE.  
 SPRINGFIELD, MO 65803  
 P: 417.883.6555

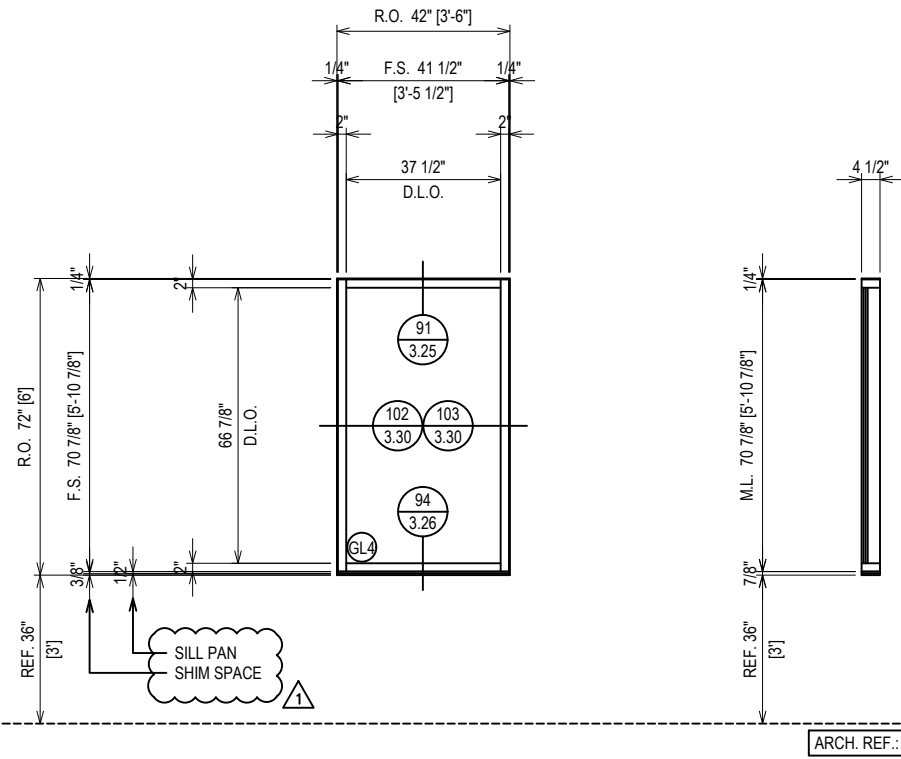
PROJECT: INNOVATIVE DENTAL  
 CENTER FOR GENERAL &  
 ADVANCED DENTISTRY  
 LOCATION: 3192 E. FARM ROAD 188  
 SPRINGFIELD, MO 65721

DRAWN BY:	DATE:
RA	01.07.20
CHECKED BY:	DATE:
TF	01.07.20

ERECTOR / G.C. NOTE:  
 PLEASE FIELD VERIFY ALL DIMENSIONS



FINISH FLOOR  
100'-0"



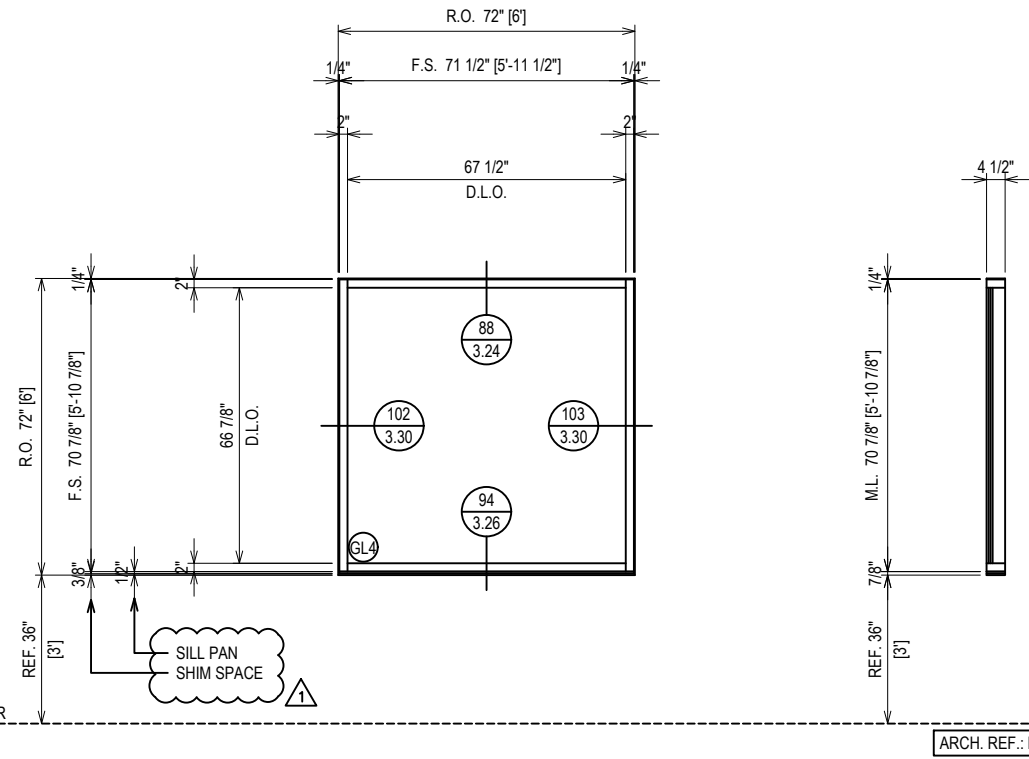
ARCH. REF.: N/A



**ELEVATION W11**  
 SCALE: 1/2" = 1'-0"  
 KAWNEER TRIFAB VG 451T - 2" X 4 1/2"  
 EXTERIOR STOREFRONT  
 1" INSULATED GLASS (FRONT SET)  
 QUANTITY: 2



FINISH FLOOR  
100'-0"



ARCH. REF.: N/A



**ELEVATION W12**  
 SCALE: 1/2" = 1'-0"  
 KAWNEER TRIFAB VG 451T - 2" X 4 1/2"  
 EXTERIOR STOREFRONT  
 1" INSULATED GLASS (FRONT SET)  
 QUANTITY: 1

ERECTOR / G.C. NOTE:  
 PLEASE FIELD VERIFY ALL DIMENSIONS

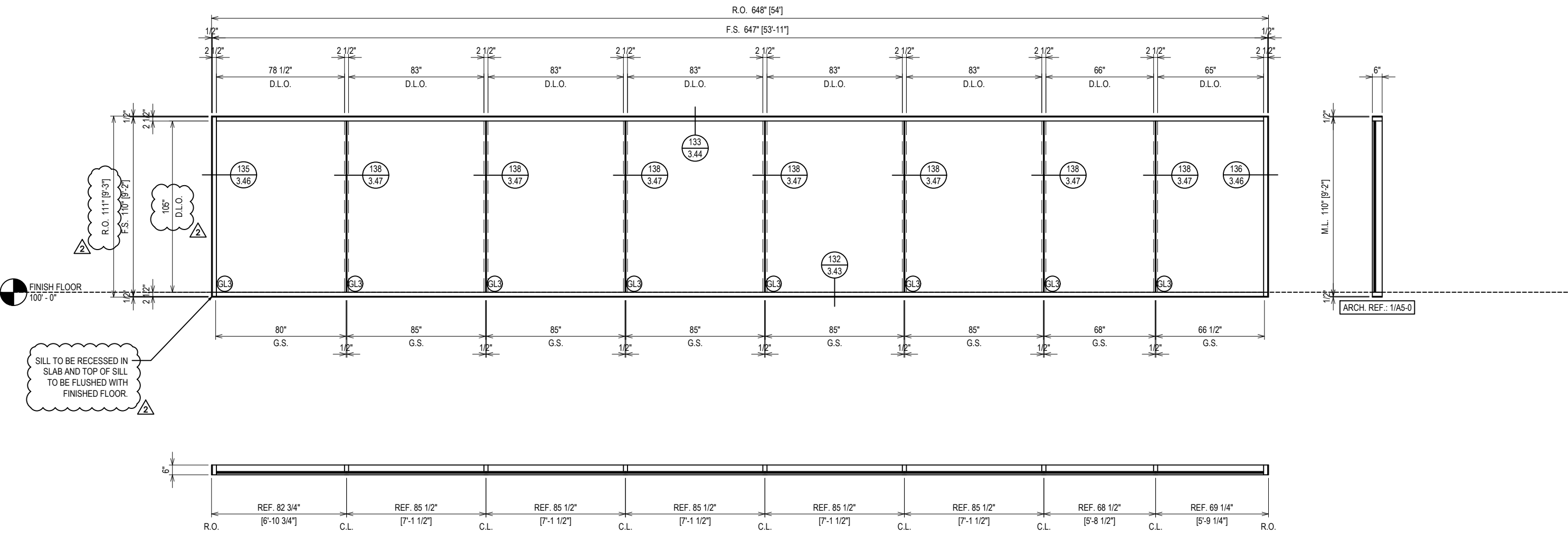
NO	DESCRIPTION	DATE
1	1ST SUBMISSION	01.07.20
1	1ST REVISION	01.23.20
2	2ND REVISION	03.11.20

**SPRINGFIELD GLASS COMPANY**  
 2503 NORTH OAK GROVE AVE.  
 SPRINGFIELD, MO 65803  
 P: 417.883.6555

PROJECT: INNOVATIVE DENTAL  
 CENTER FOR GENERAL &  
 ADVANCED DENTISTRY

LOCATION: 3192 E. FARM ROAD 188  
 SPRINGFIELD, MO 65721

DRAWN BY:	DATE:
RA	01.07.20
CHECKED BY:	DATE:
TF	01.07.20



SILL TO BE RECESSED IN SLAB AND TOP OF SILL TO BE FLUSHED WITH FINISHED FLOOR.

ELEVATION **W13**  
 SCALE: 3/8" = 1'-0"  
 KAWNEER 1600 - 2 1/2" X 6"  
 EXTERIOR CURTAIN WALL  
 1" INSULATED GLASS  
 QUANTITY: 1

ERECTOR / G.C. NOTE:  
 PLEASE FIELD VERIFY ALL DIMENSIONS

1ST SUBMISSION	01.07.20
1ST REVISION	01.23.20
2ND REVISION	03.11.20
NO	DATE
DRAWING SUBMISSION	

PROJECT: INNOVATIVE DENTAL CENTER FOR GENERAL & ADVANCED DENTISTRY  
 LOCATION: 3192 E. FARM ROAD 188 SPRINGFIELD, MO 65721  
 SPRINGFIELD GLASS COMPANY  
 2503 NORTH OAK GROVE AVE.  
 SPRINGFIELD, MO 65803  
 P: 417.883.6555

ARCH. REF.: 1/A5-0

DRAWN BY:	DATE:
RA	01.07.20
CHECKED BY:	DATE:
TF	01.07.20

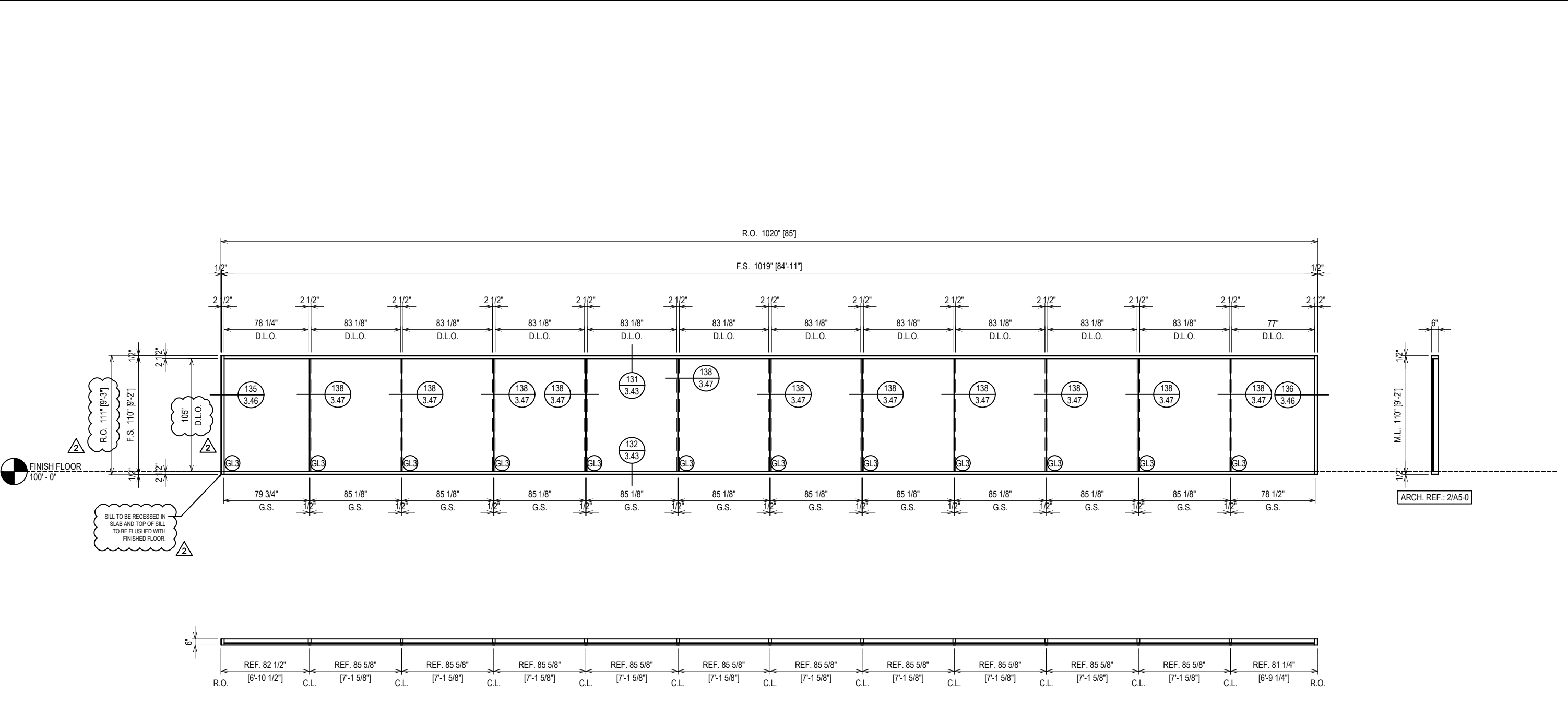
1ST SUBMISSION	01.07.20
1ST REVISION	01.23.20
2ND REVISION	03.11.20
NO	DATE
DESCRIPTION	DRAWING SUBMISSION

SPRINGFIELD GLASS COMPANY  
 2503 NORTH OAK GROVE AVE.  
 SPRINGFIELD, MO 65803  
 P: 417.883.6555

PROJECT: INNOVATIVE DENTAL  
 CENTER FOR GENERAL &  
 ADVANCED DENTISTRY  
 LOCATION: 3192 E. FARM ROAD 188  
 SPRINGFIELD, MO 65721

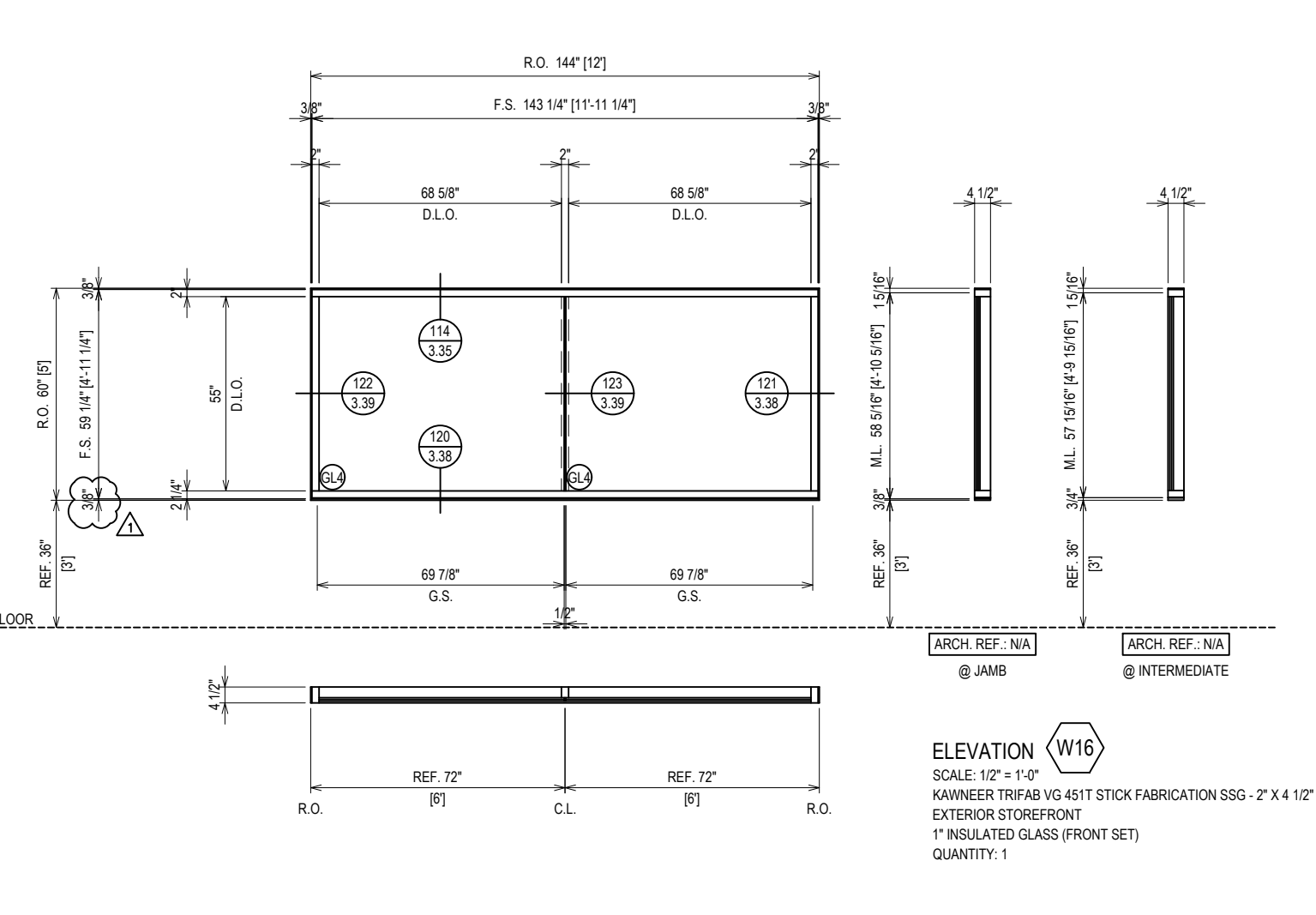
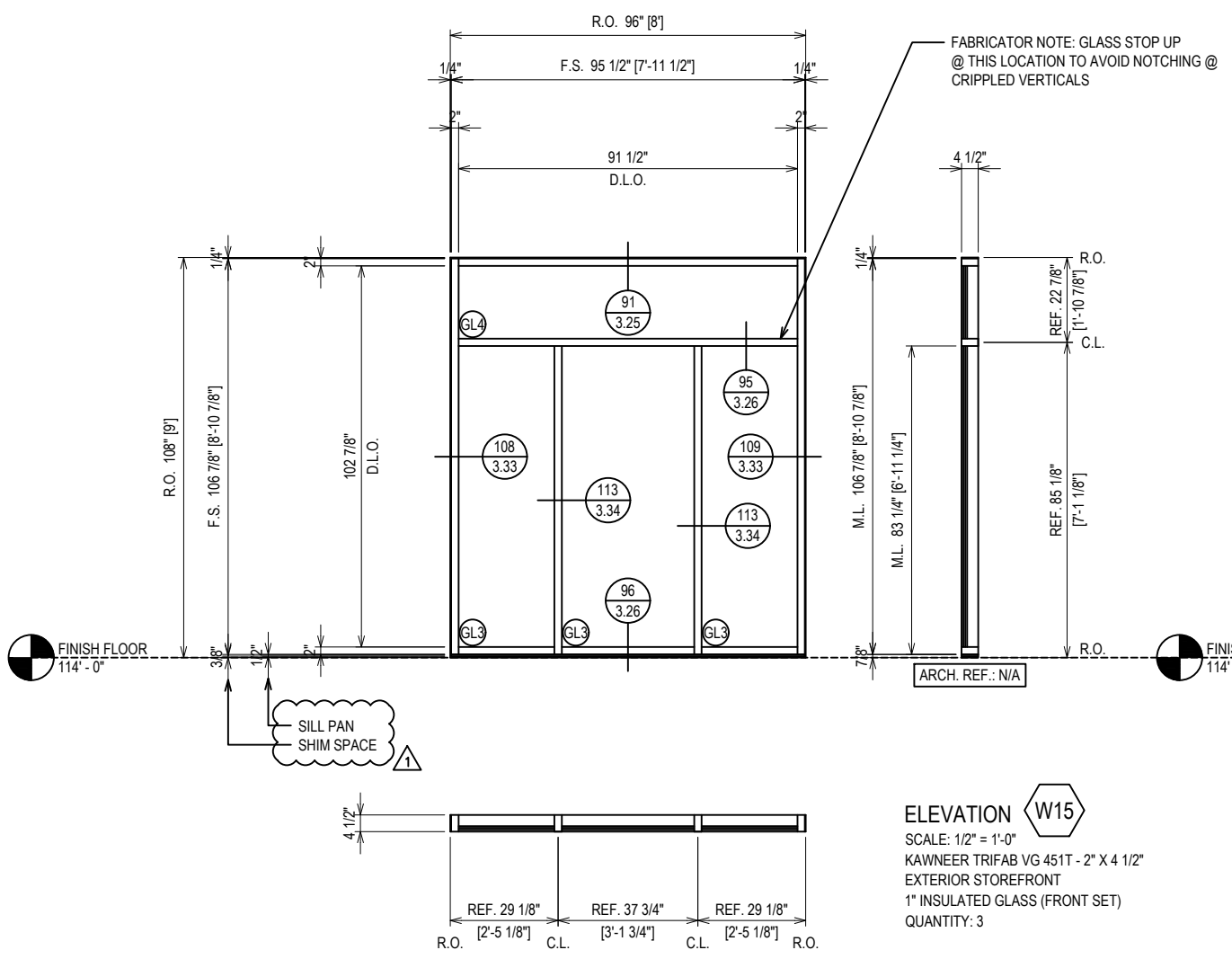
DRAWN BY:	RA	DATE:	01.07.20
CHECKED BY:	TF	DATE:	01.07.20

ERECTOR / G.C. NOTE:  
PLEASE FIELD VERIFY ALL DIMENSIONS



ELEVATION **W14**  
 SCALE: 1/4" = 1'-0"  
 KAWNEER 1600 - 2 1/2" X 6"  
 EXTERIOR CURTAIN WALL  
 1" INSULATED GLASS  
 QUANTITY: 1

ERECTOR / G.C. NOTE:  
PLEASE FIELD VERIFY ALL DIMENSIONS



1ST SUBMISSION	01.07.20
1ST REVISION	01.23.20
2ND REVISION	03.11.20
NO	DESCRIPTION
	DRAWING SUBMISSION
	DATE

PROJECT: INNOVATIVE DENTAL CENTER FOR GENERAL & ADVANCED DENTISTRY  
 LOCATION: 3192 E. FARM ROAD 188 SPRINGFIELD, MO 65721

SPRINGFIELD GLASS COMPANY  
 2503 NORTH OAK GROVE AVE.  
 SPRINGFIELD, MO 65803  
 P: 417.883.6555

ERECTOR / G.C. NOTE:  
 PLEASE FIELD VERIFY ALL DIMENSIONS

DRAWN BY:	DATE:
RA	01.07.20
CHECKED BY:	DATE:
TF	01.07.20

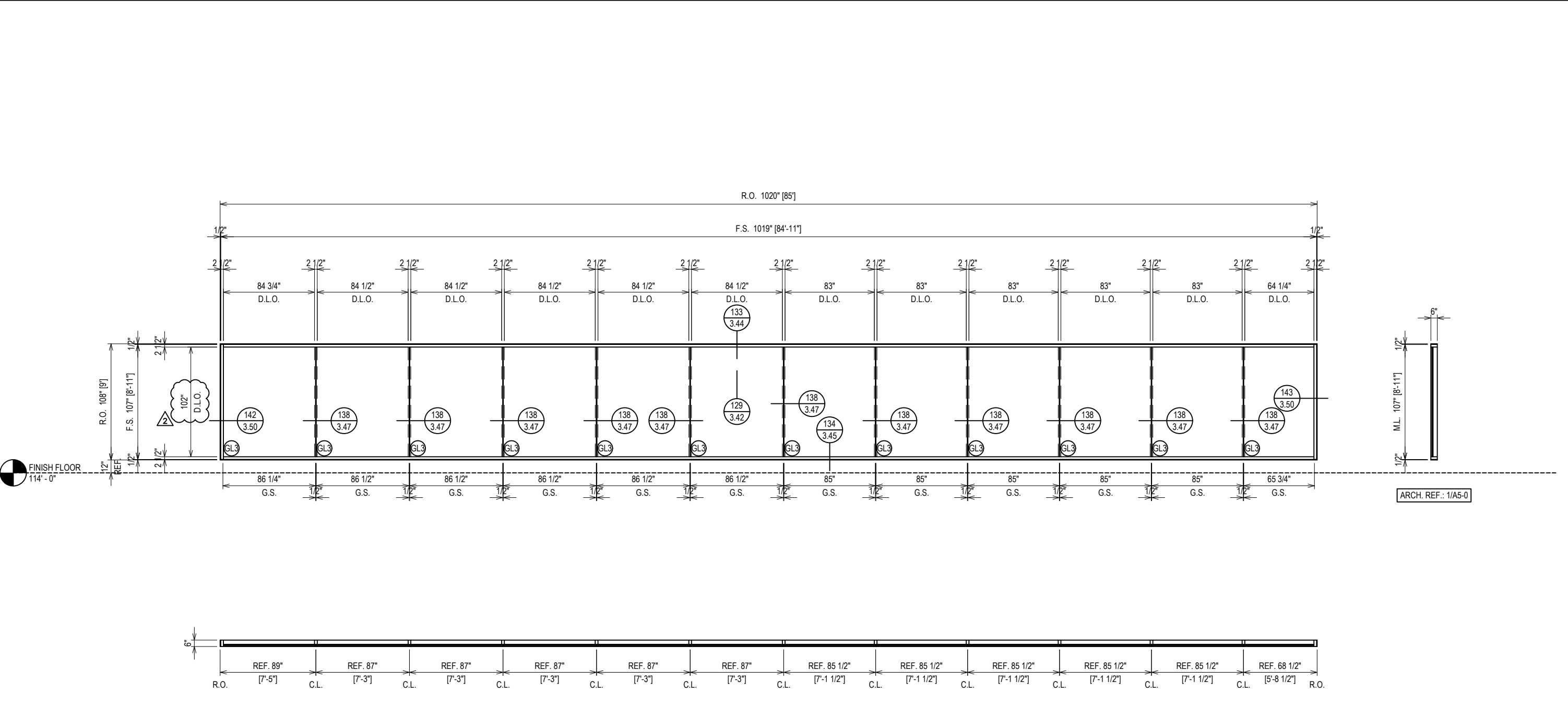
1ST SUBMISSION	01.07.20
1ST REVISION	01.23.20
2ND REVISION	03.11.20
NO	DATE
DESCRIPTION	DRAWING SUBMISSION

SPRINGFIELD GLASS COMPANY  
 2503 NORTH OAK GROVE AVE.  
 SPRINGFIELD, MO 65803  
 P: 417.883.6555

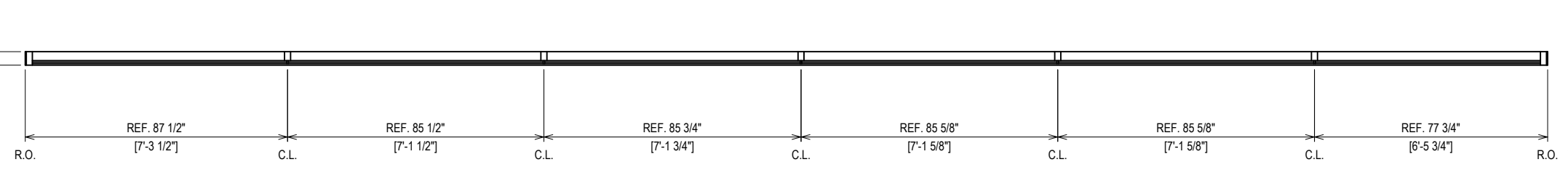
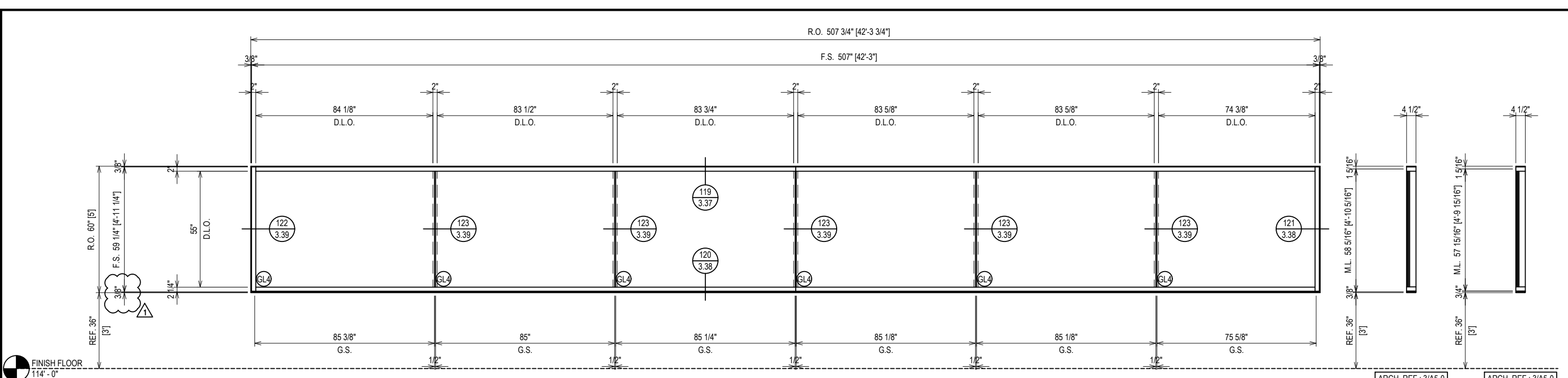
PROJECT: INNOVATIVE DENTAL  
 CENTER FOR GENERAL &  
 ADVANCED DENTISTRY  
 LOCATION: 3192 E. FARM ROAD 188  
 SPRINGFIELD, MO 65721

DRAWN BY:	RA	DATE:	01.07.20
CHECKED BY:	TF	DATE:	01.07.20

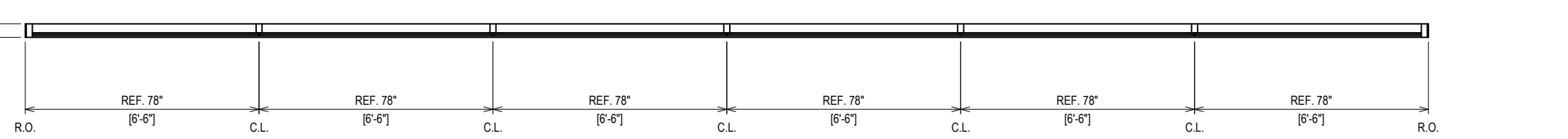
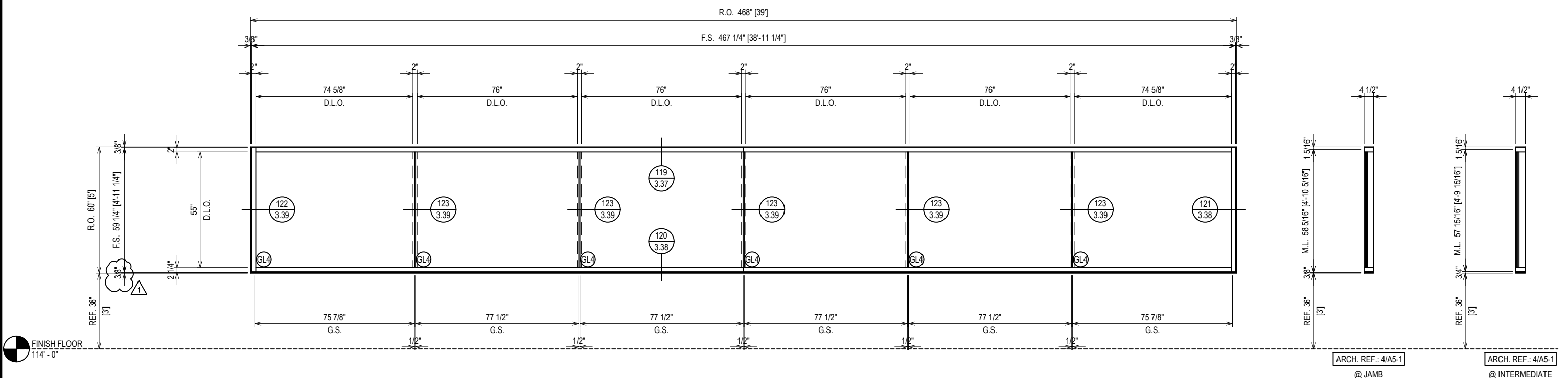
ERECTOR / G.C. NOTE:  
 PLEASE FIELD VERIFY ALL DIMENSIONS  
**2.24**



ELEVATION **W17**  
 SCALE: 1/4" = 1'-0"  
 KAWNEER 1600 - 2 1/2" X 6"  
 EXTERIOR CURTAIN WALL  
 1" INSULATED GLASS  
 QUANTITY: 1



**ELEVATION W18**  
 SCALE: 1/2" = 1'-0"  
 KAWNEER TRIFAB VG 451T STICK FABRICATION SSG - 2" X 4 1/2"  
 EXTERIOR STOREFRONT  
 1" INSULATED GLASS (FRONT SET)  
 QUANTITY: 1

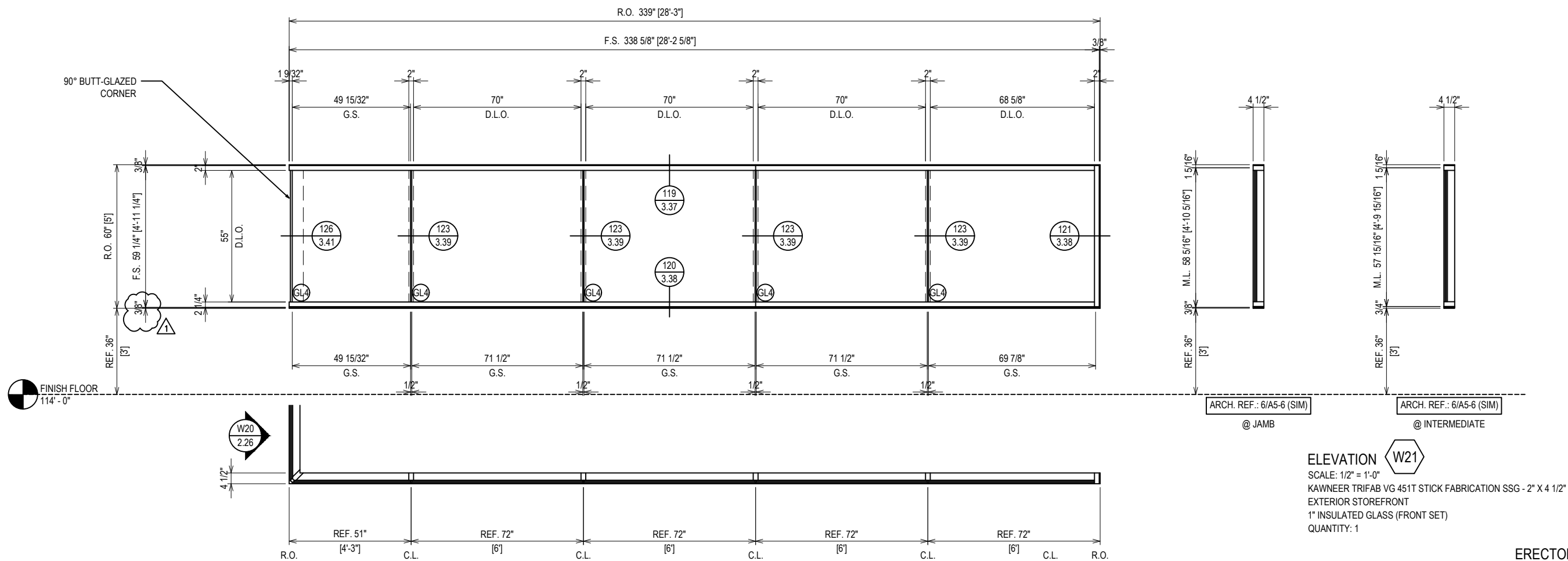
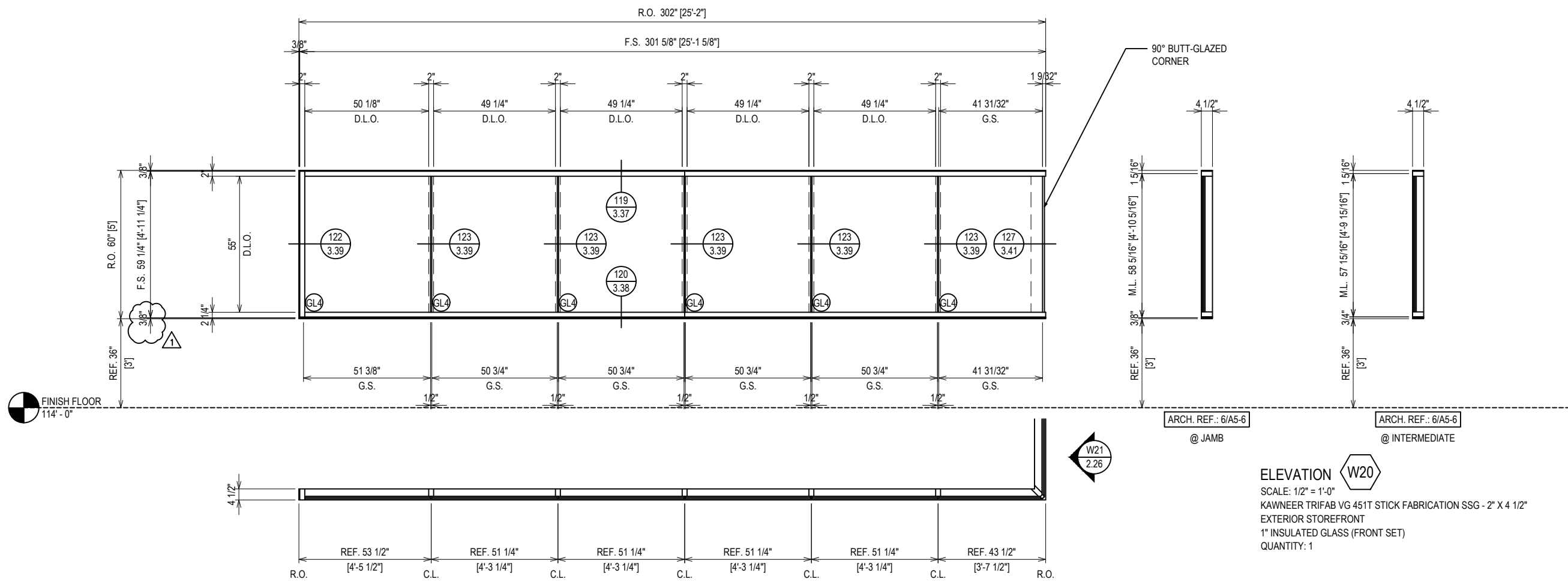


**ELEVATION W19**  
 SCALE: 1/2" = 1'-0"  
 KAWNEER TRIFAB VG 451T STICK FABRICATION SSG - 2" X 4 1/2"  
 EXTERIOR STOREFRONT  
 1" INSULATED GLASS (FRONT SET)  
 QUANTITY: 1

**ERECTOR / G.C. NOTE:**  
 PLEASE FIELD VERIFY ALL DIMENSIONS

PROJECT:	INNOVATIVE DENTAL CENTER FOR GENERAL & ADVANCED DENTISTRY	LOCATION:	3192 E. FARM ROAD 188 SPRINGFIELD, MO 65721
DRAWN BY:	RA	DATE:	01.07.20
CHECKED BY:	TF	DATE:	01.07.20
1ST SUBMISSION	01.07.20	1ST REVISION	01.23.20
2ND REVISION	03.11.20	DESCRIPTION	DRAWING SUBMISSION
NO		DATE	

**SPRINGFIELD GLASS COMPANY**  
 2503 NORTH OAK GROVE AVE.  
 SPRINGFIELD, MO 65803  
 P: 417.883.6555



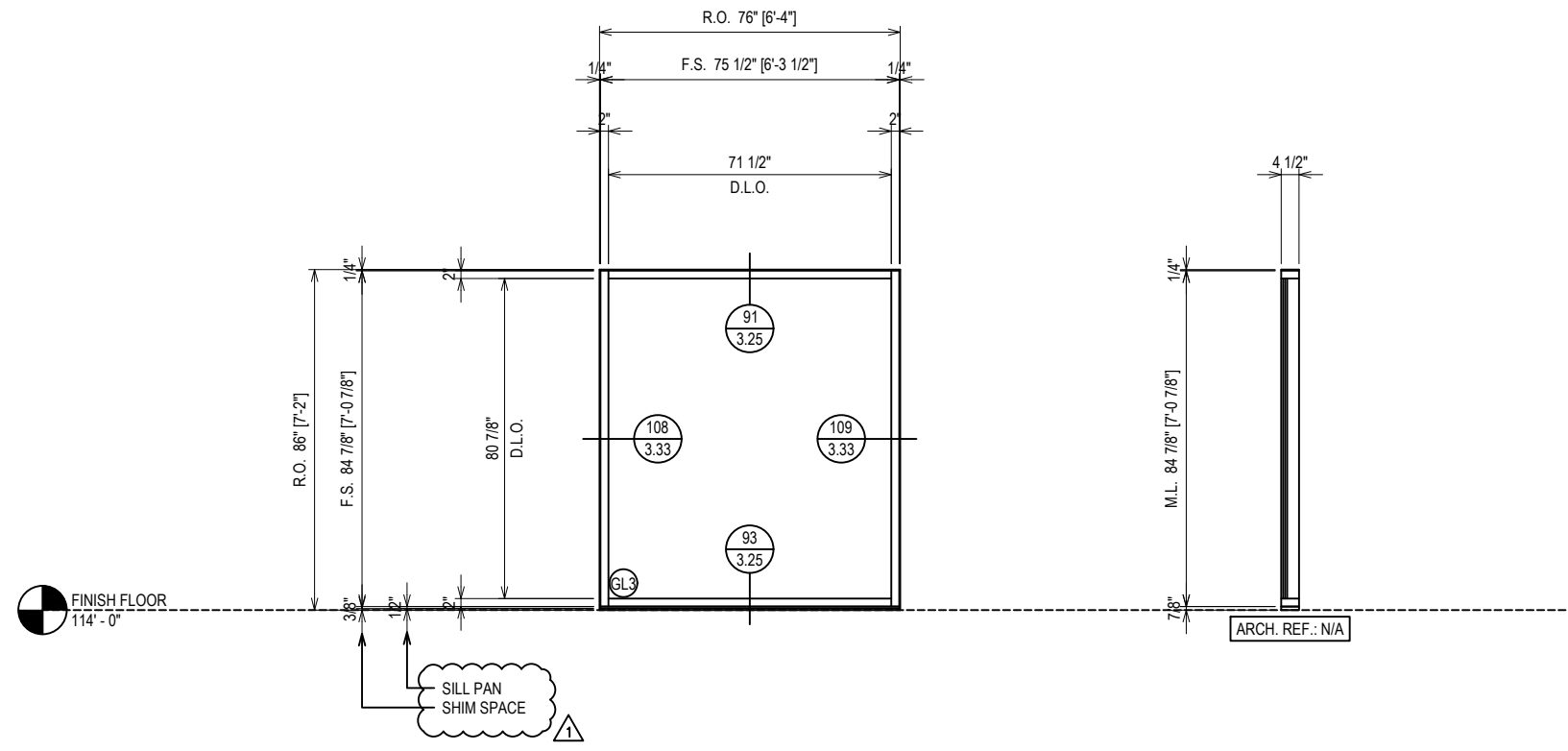
ERECTOR / G.C. NOTE:  
 PLEASE FIELD VERIFY ALL DIMENSIONS

1ST SUBMISSION	01.07.20
1ST REVISION	01.23.20
2ND REVISION	03.11.20
NO	DATE
DESCRIPTION	DRAWING SUBMISSION

PROJECT: INNOVATIVE DENTAL CENTER FOR GENERAL & ADVANCED DENTISTRY  
 LOCATION: 3192 E. FARM ROAD 188 SPRINGFIELD, MO 65721  
 SPRINGFIELD GLASS COMPANY  
 2503 NORTH OAK GROVE AVE.  
 SPRINGFIELD, MO 65803  
 P: 417.883.6555

DRAWN BY: RA	DATE: 01.07.20
CHECKED BY: TF	DATE: 01.07.20

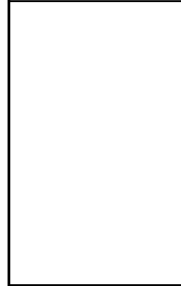




ELEVATION **W22**  
 SCALE: 1/2" = 1'-0"  
 KAWNEER TRIFAB VG 451T - 2" X 4 1/2"  
 EXTERIOR STOREFRONT  
 1" INSULATED GLASS (FRONT SET)  
 QUANTITY: 2

1ST SUBMISSION	01.07.20
1ST REVISION	01.23.20
2ND REVISION	03.11.20
NO	DESCRIPTION
	DRAWING SUBMISSION

SPRINGFIELD GLASS COMPANY  
 2503 NORTH OAK GROVE AVE.  
 SPRINGFIELD, MO 65803  
 P: 417.883.6555



PROJECT: INNOVATIVE DENTAL  
 CENTER FOR GENERAL &  
 ADVANCED DENTISTRY  
 LOCATION: 3192 E. FARM ROAD 188  
 SPRINGFIELD, MO 65721

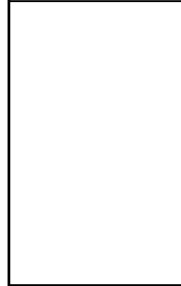
DRAWN BY:	DATE:
RA	01.07.20
CHECKED BY:	DATE:
TF	01.07.20

ERECTOR / G.C. NOTE:  
 PLEASE FIELD VERIFY ALL DIMENSIONS

1ST SUBMISSION	01.07.20
1ST REVISION	01.23.20
2ND REVISION	03.11.20
NO	DATE
DRAWING SUBMISSION	

PROJECT: INNOVATIVE DENTAL  
 CENTER FOR GENERAL &  
 ADVANCED DENTISTRY  
 LOCATION: 3192 E. FARM ROAD 188  
 SPRINGFIELD, MO 65721

SPRINGFIELD GLASS COMPANY  
 2503 NORTH OAK GROVE AVE.  
 SPRINGFIELD, MO 65803  
 P: 417.883.6555

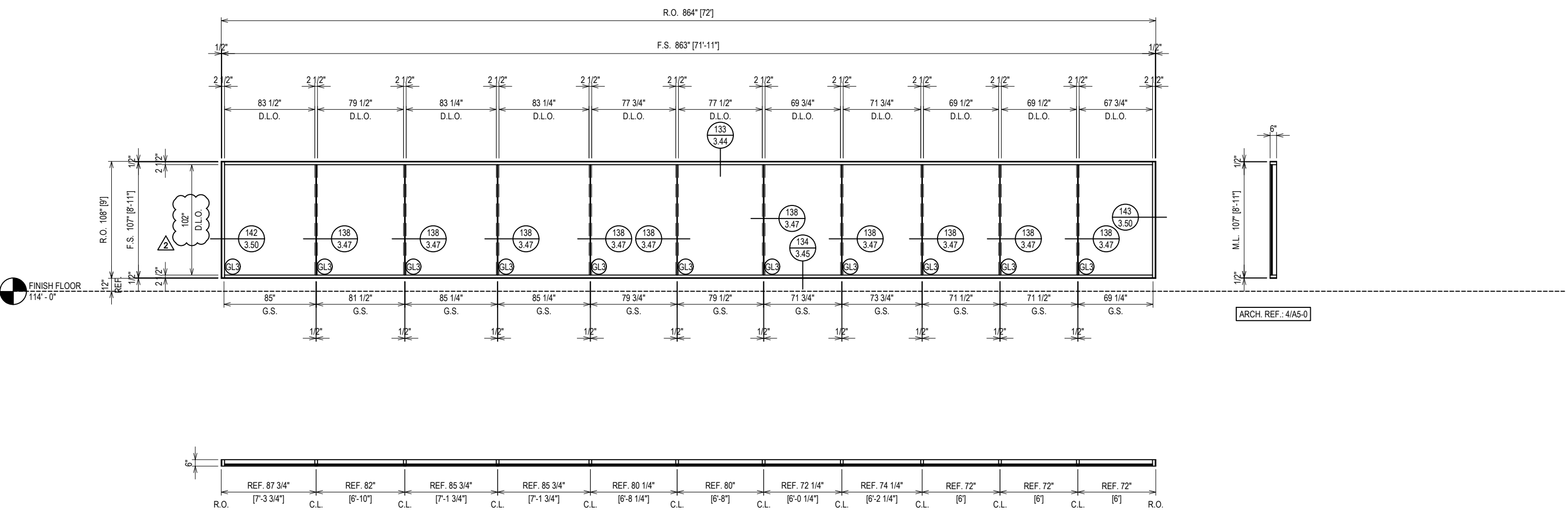


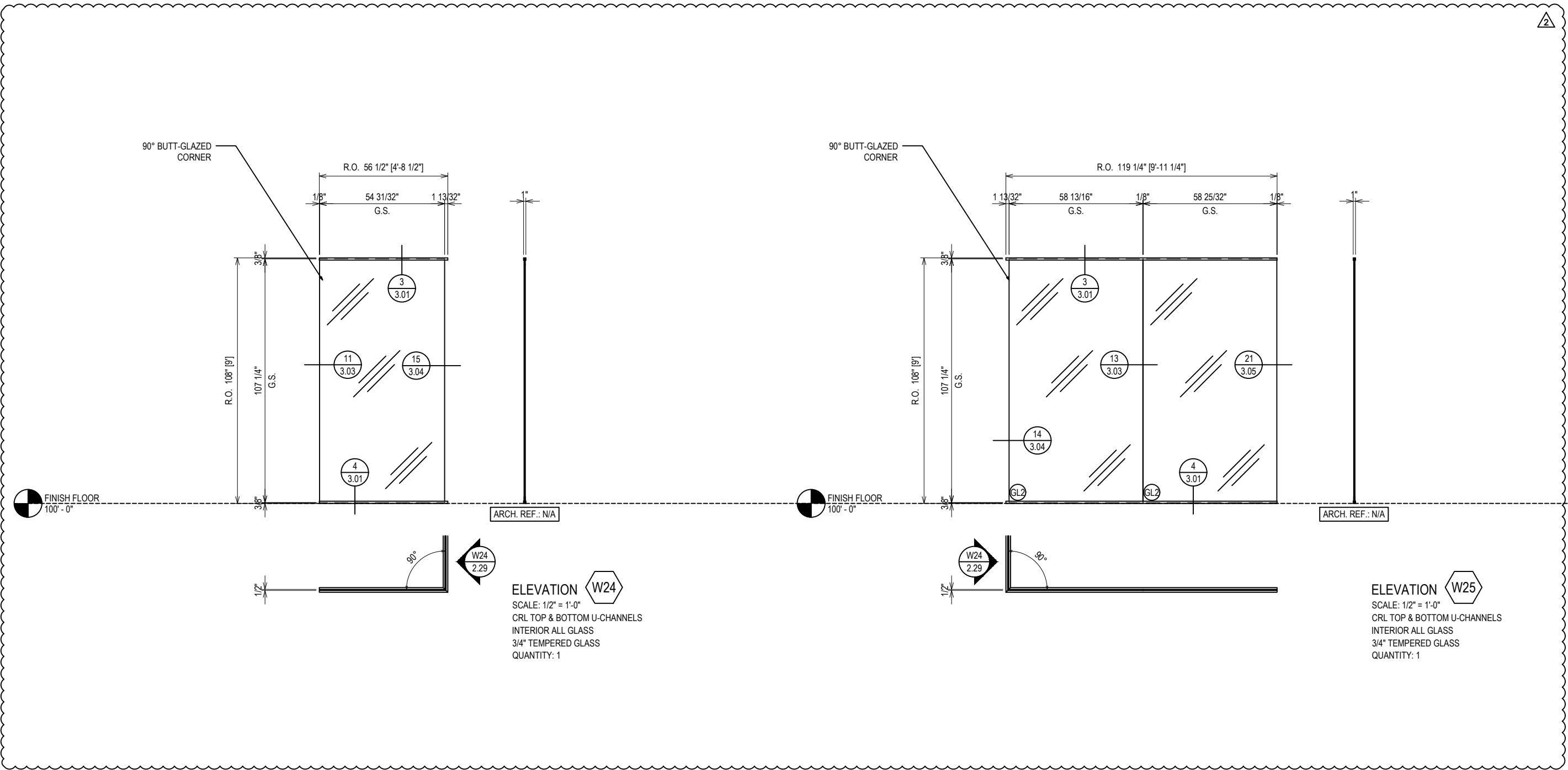
PROJECT:	INNOVATIVE DENTAL CENTER FOR GENERAL & ADVANCED DENTISTRY
LOCATION:	3192 E. FARM ROAD 188 SPRINGFIELD, MO 65721
DRAWN BY:	RA
DATE:	01.07.20
CHECKED BY:	TF
DATE:	01.07.20

DATE:	01.07.20
-------	----------

**2.28**

ERECTOR / G.C. NOTE:  
PLEASE FIELD VERIFY ALL DIMENSIONS





**ELEVATION W24**  
 SCALE: 1/2" = 1'-0"  
 CRL TOP & BOTTOM U-CHANNELS  
 INTERIOR ALL GLASS  
 3/4" TEMPERED GLASS  
 QUANTITY: 1

**ELEVATION W25**  
 SCALE: 1/2" = 1'-0"  
 CRL TOP & BOTTOM U-CHANNELS  
 INTERIOR ALL GLASS  
 3/4" TEMPERED GLASS  
 QUANTITY: 1

1ST SUBMISSION	01.07.20
1ST REVISION	01.23.20
2ND REVISION	03.11.20
NO	DATE
DESCRIPTION	
DRAWING SUBMISSION	

**SPRINGFIELD GLASS COMPANY**  
 2503 NORTH OAK GROVE AVE.  
 SPRINGFIELD, MO 65803  
 P: 417.883.6555

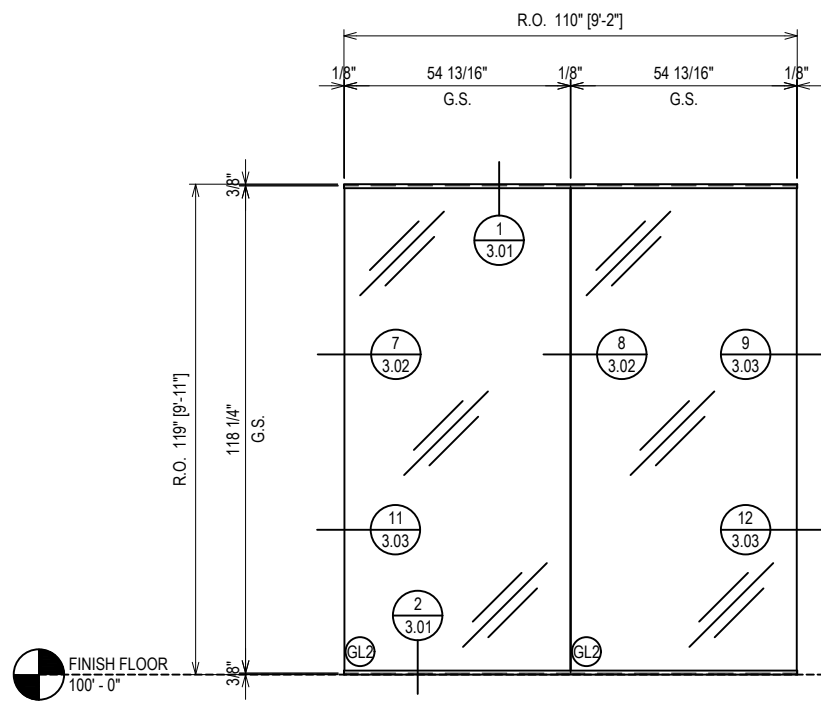
PROJECT: INNOVATIVE DENTAL  
 CENTER FOR GENERAL &  
 ADVANCED DENTISTRY

LOCATION: 3192 E. FARM ROAD 188  
 SPRINGFIELD, MO 65721

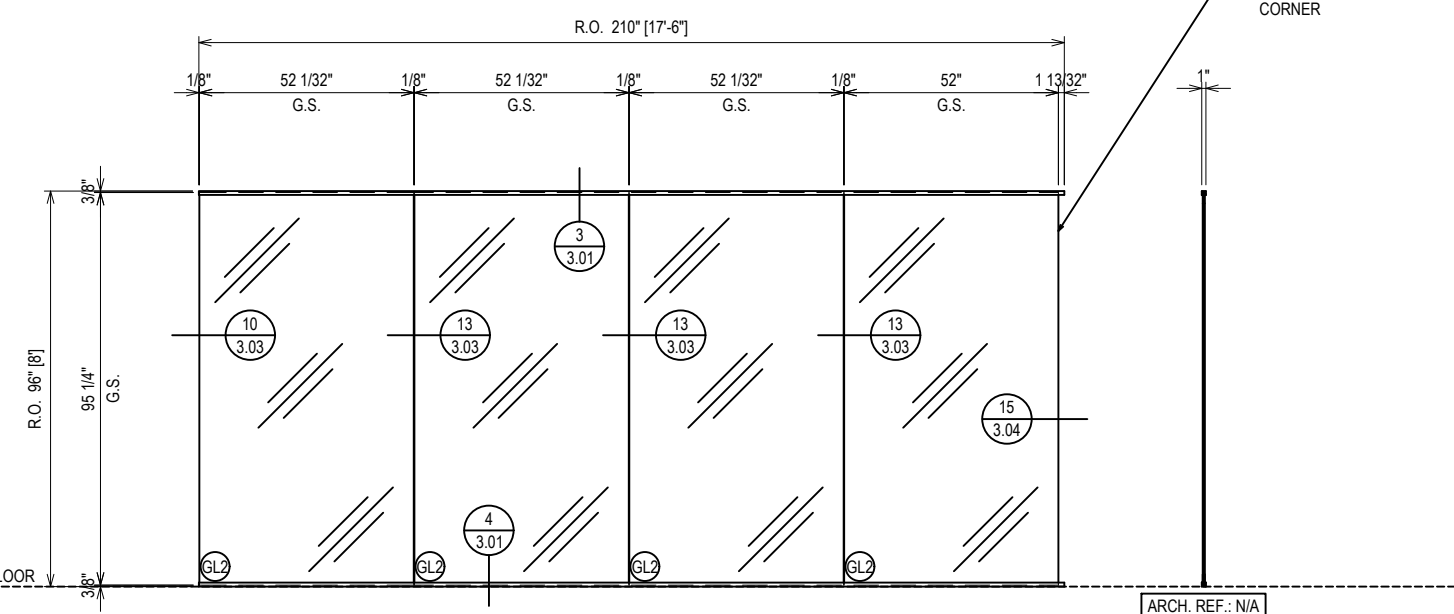
DRAWN BY:	DATE:
RA	01.07.20
CHECKED BY:	DATE:
TF	01.07.20

ERECTOR / G.C. NOTE:  
 PLEASE FIELD VERIFY ALL DIMENSIONS

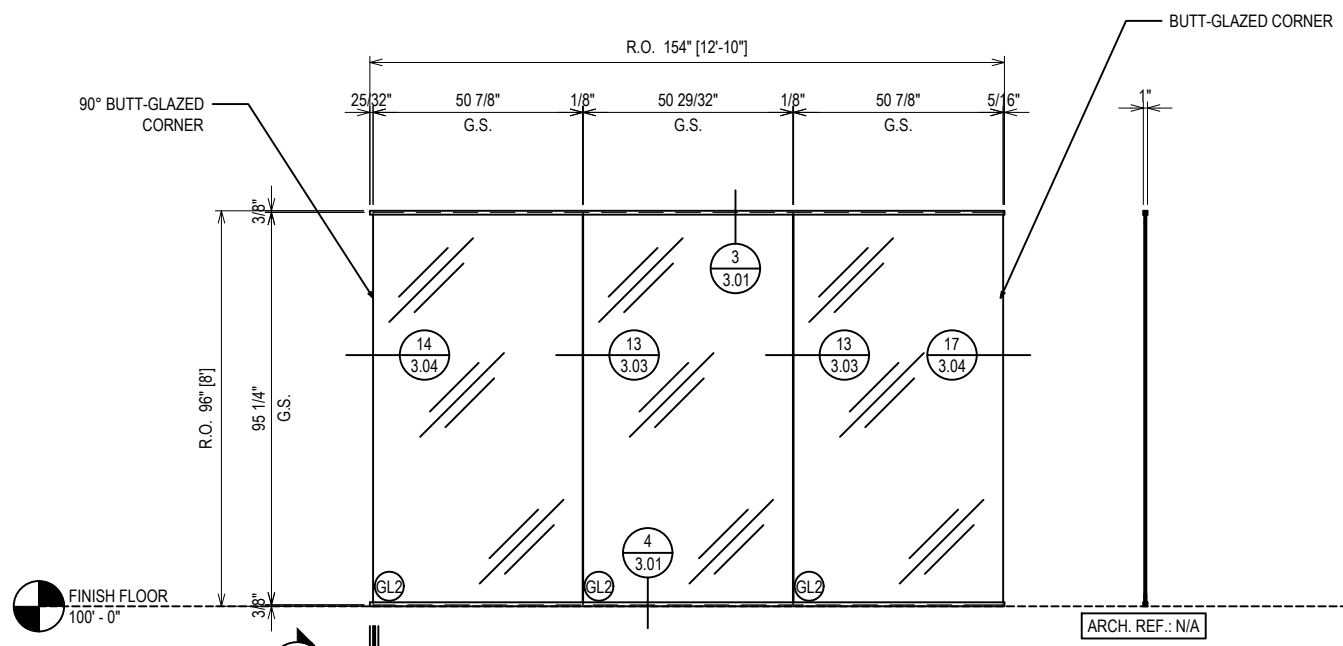
**2.29**



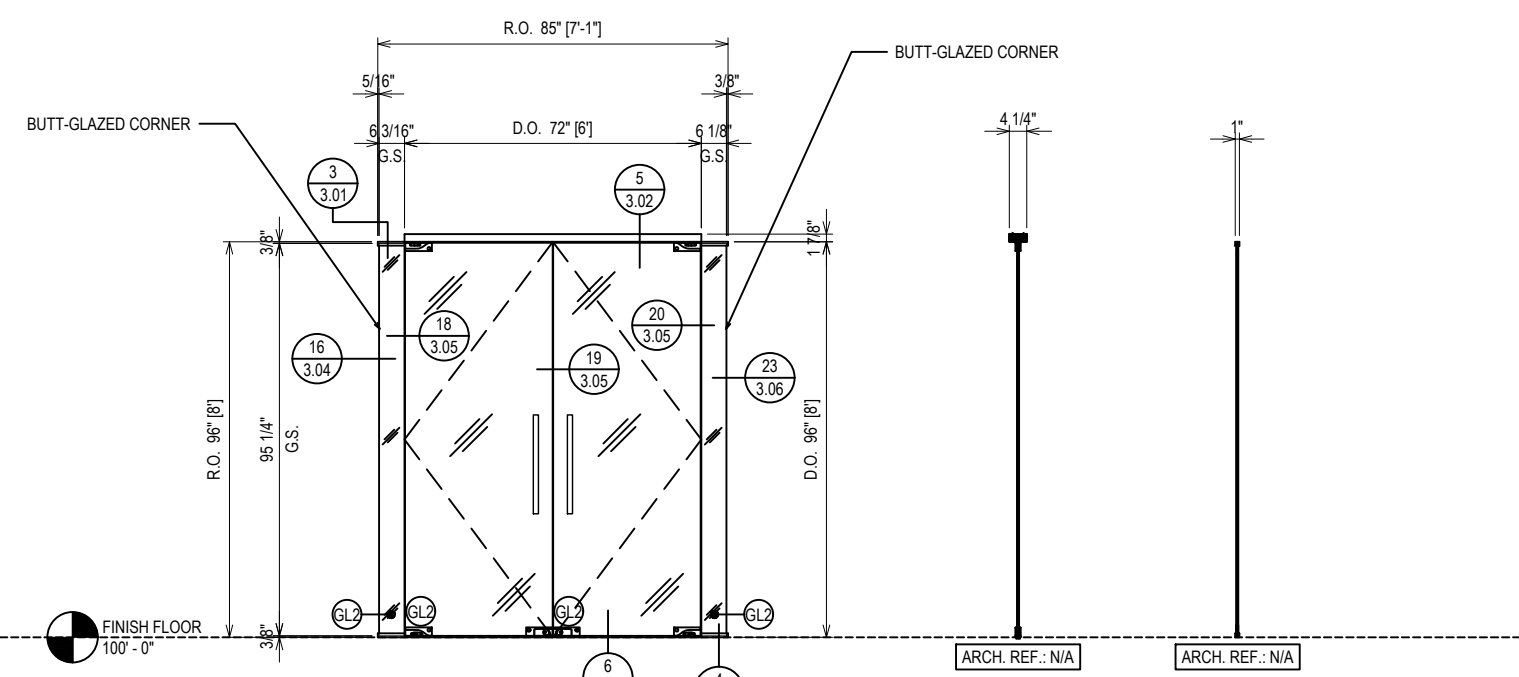
**ELEVATION W26**  
 SCALE: 1/2" = 1'-0"  
 CRL TOP & BOTTOM U-CHANNELS  
 INTERIOR ALL GLASS  
 1/2" TEMPERED GLASS  
 QUANTITY: 18



**ELEVATION W27**  
 SCALE: 1/2" = 1'-0"  
 CRL TOP & BOTTOM U-CHANNELS  
 INTERIOR ALL GLASS  
 1/2" TEMPERED GLASS  
 QUANTITY: 1



**ELEVATION W28**  
 SCALE: 1/2" = 1'-0"  
 CRL TOP & BOTTOM U-CHANNELS  
 INTERIOR ALL GLASS  
 1/2" TEMPERED GLASS  
 QUANTITY: 1



**ELEVATION W28.1**  
 SCALE: 1/2" = 1'-0"  
 CRL TOP & BOTTOM U-CHANNELS  
 INTERIOR ALL GLASS  
 1/2" TEMPERED GLASS  
 QUANTITY: 1

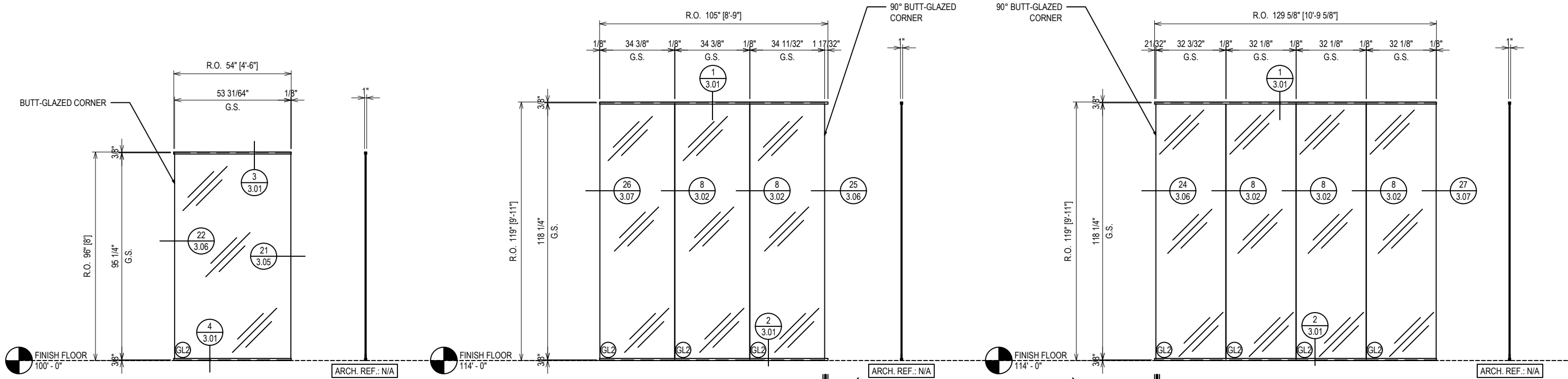
1ST SUBMISSION	01.07.20
1ST REVISION	01.23.20
2ND REVISION	03.11.20
NO	DATE
DESCRIPTION	DRAWING SUBMISSION

**SPRINGFIELD GLASS COMPANY**  
 2503 NORTH OAK GROVE AVE.  
 SPRINGFIELD, MO 65803  
 P: 417.883.6555

**PROJECT:** INNOVATIVE DENTAL CENTER FOR GENERAL & ADVANCED DENTISTRY  
**LOCATION:** 3192 E. FARM ROAD 188 SPRINGFIELD, MO 65721

<b>DRAWN BY:</b> RA	<b>DATE:</b> 01.07.20
<b>CHECKED BY:</b> TF	<b>DATE:</b> 01.07.20

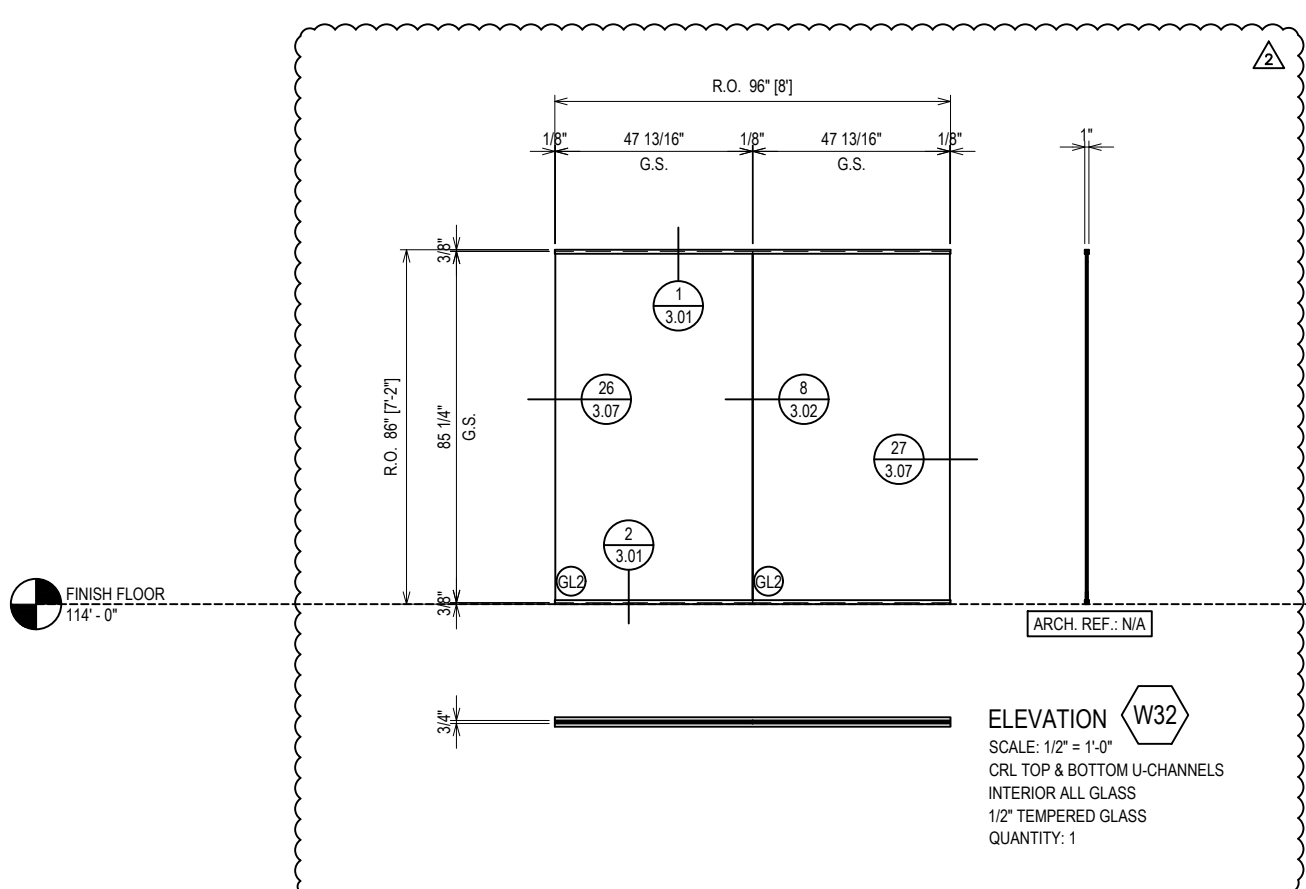
**ERECTOR / G.C. NOTE:**  
 PLEASE FIELD VERIFY ALL DIMENSIONS



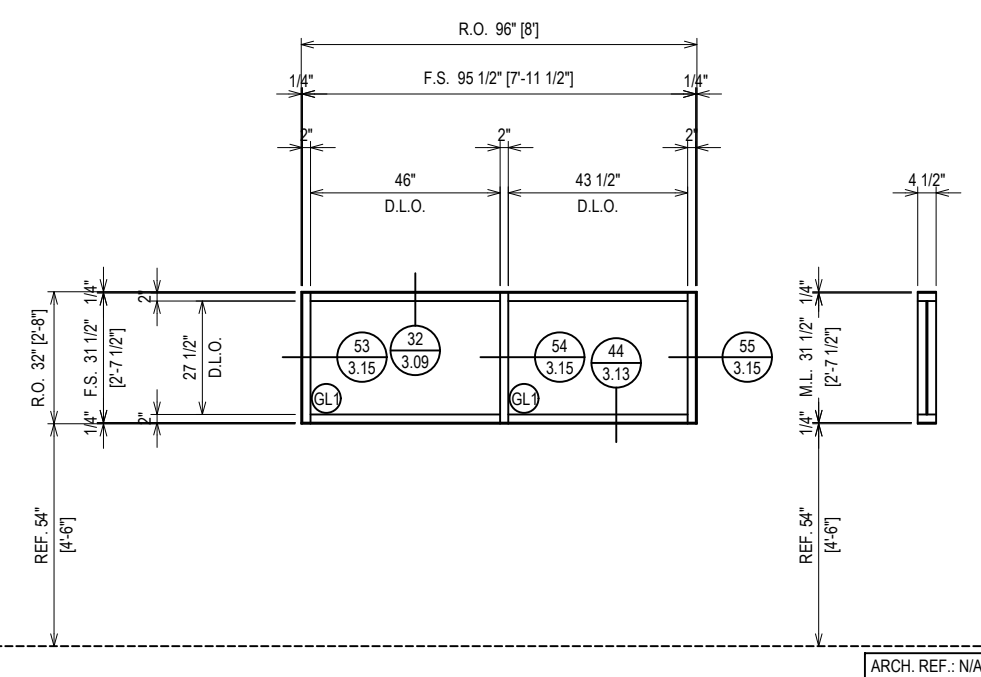
**ELEVATION W29**  
 SCALE: 1/2" = 1'-0"  
 CRL TOP & BOTTOM U-CHANNELS  
 INTERIOR ALL GLASS  
 1/2" TEMPERED GLASS  
 QUANTITY: 1

**ELEVATION W30**  
 SCALE: 1/2" = 1'-0"  
 CRL TOP & BOTTOM U-CHANNELS  
 INTERIOR ALL GLASS  
 1/2" TEMPERED GLASS  
 QUANTITY: 1

**ELEVATION W31**  
 SCALE: 1/2" = 1'-0"  
 CRL TOP & BOTTOM U-CHANNELS  
 INTERIOR ALL GLASS  
 1/2" TEMPERED GLASS  
 QUANTITY: 1



**ELEVATION W32**  
 SCALE: 1/2" = 1'-0"  
 CRL TOP & BOTTOM U-CHANNELS  
 INTERIOR ALL GLASS  
 1/2" TEMPERED GLASS  
 QUANTITY: 1



**ELEVATION W33**  
 SCALE: 1/2" = 1'-0"  
 KAWNEER TRIFAB VG 450 - 2" X 4 1/2"  
 INTERIOR STOREFRONT  
 1/4" TEMPERED GLASS (CENTER SET)  
 QUANTITY: 1

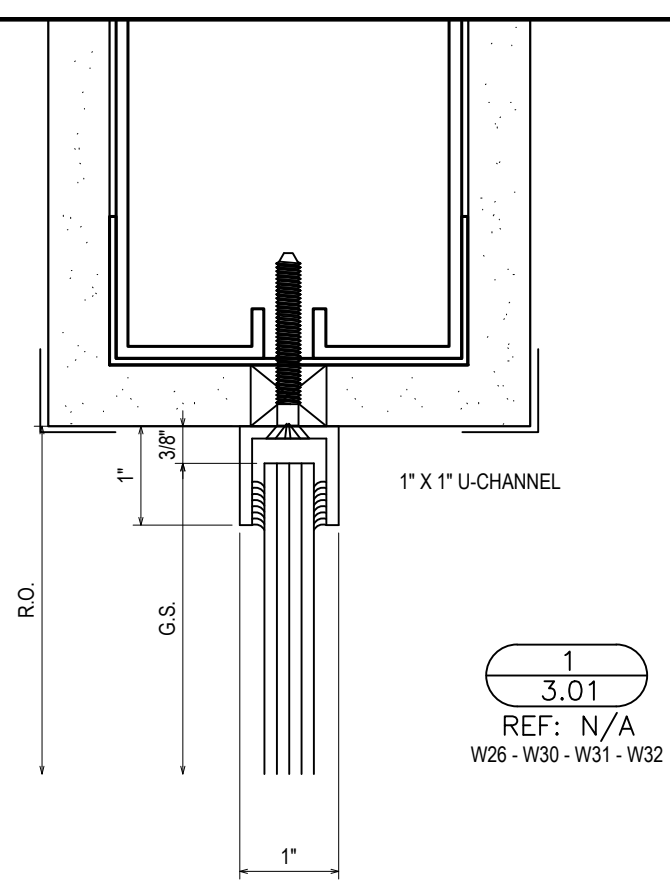
ERECTOR / G.C. NOTE:  
 PLEASE FIELD VERIFY ALL DIMENSIONS

1ST SUBMISSION	01.07.20
1ST REVISION	01.23.20
2ND REVISION	03.11.20
NO	DATE
DESCRIPTION	DRAWING SUBMISSION

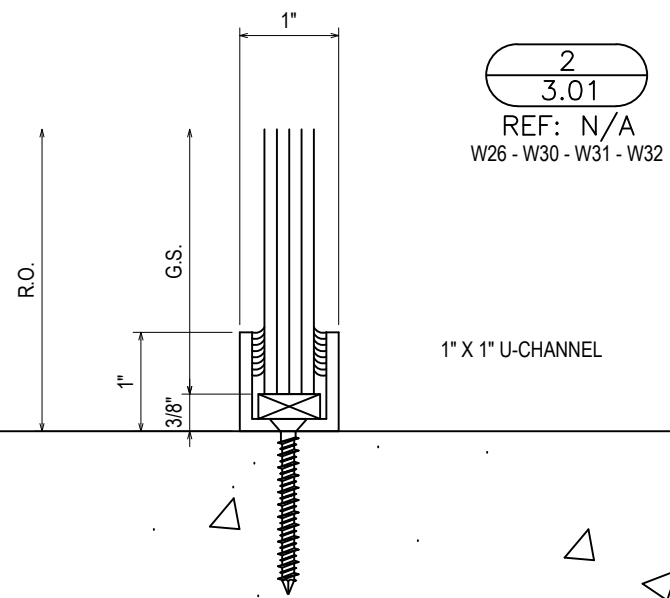
PROJECT: INNOVATIVE DENTAL CENTER FOR GENERAL & ADVANCED DENTISTRY  
 LOCATION: 3192 E. FARM ROAD 188 SPRINGFIELD, MO 65721  
 SPRINGFIELD GLASS COMPANY  
 2503 NORTH OAK GROVE AVE.  
 SPRINGFIELD, MO 65803  
 P: 417.883.6555

DATE: 01.07.20

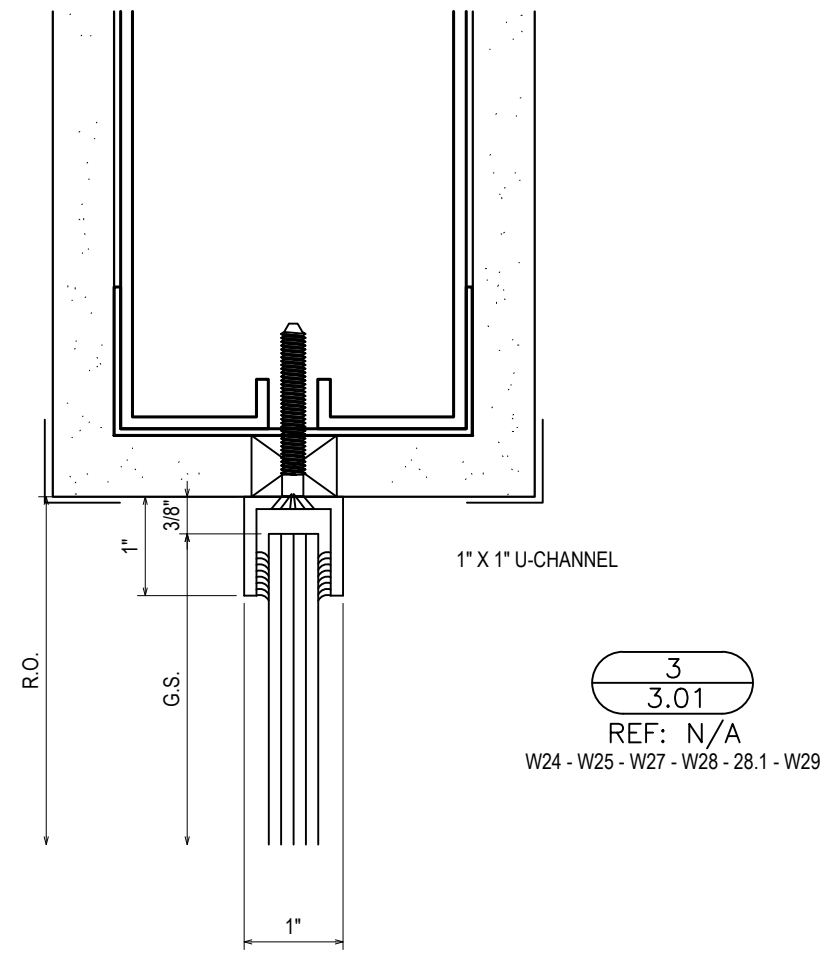
DRAWN BY: RA	DATE: 01.07.20
CHECKED BY: TF	DATE: 01.07.20



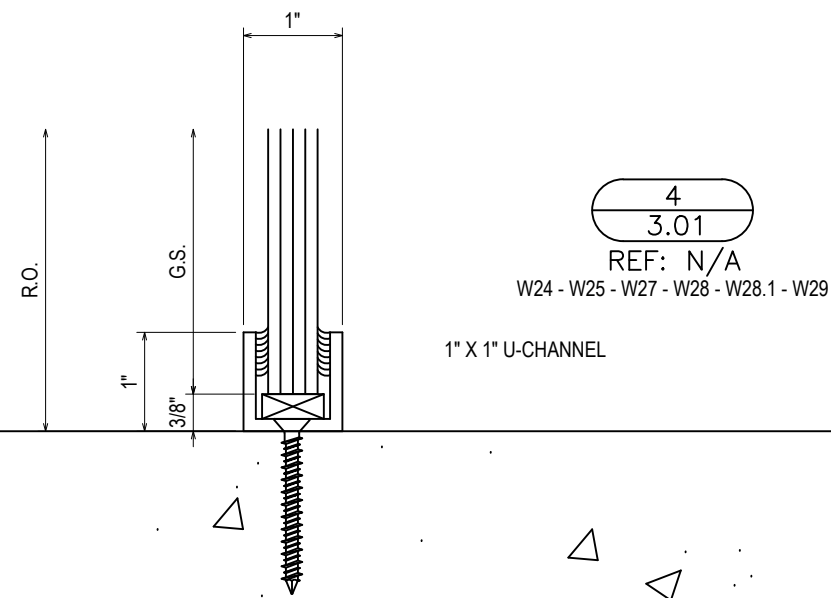
1  
3.01  
REF: N/A  
W26 - W30 - W31 - W32



2  
3.01  
REF: N/A  
W26 - W30 - W31 - W32



3  
3.01  
REF: N/A  
W24 - W25 - W27 - W28 - 28.1 - W29



4  
3.01  
REF: N/A  
W24 - W25 - W27 - W28 - W28.1 - W29

1ST SUBMISSION	01.07.20
1ST REVISION	01.23.20
2ND REVISION	03.11.20
NO	DESCRIPTION
	DRAWING SUBMISSION

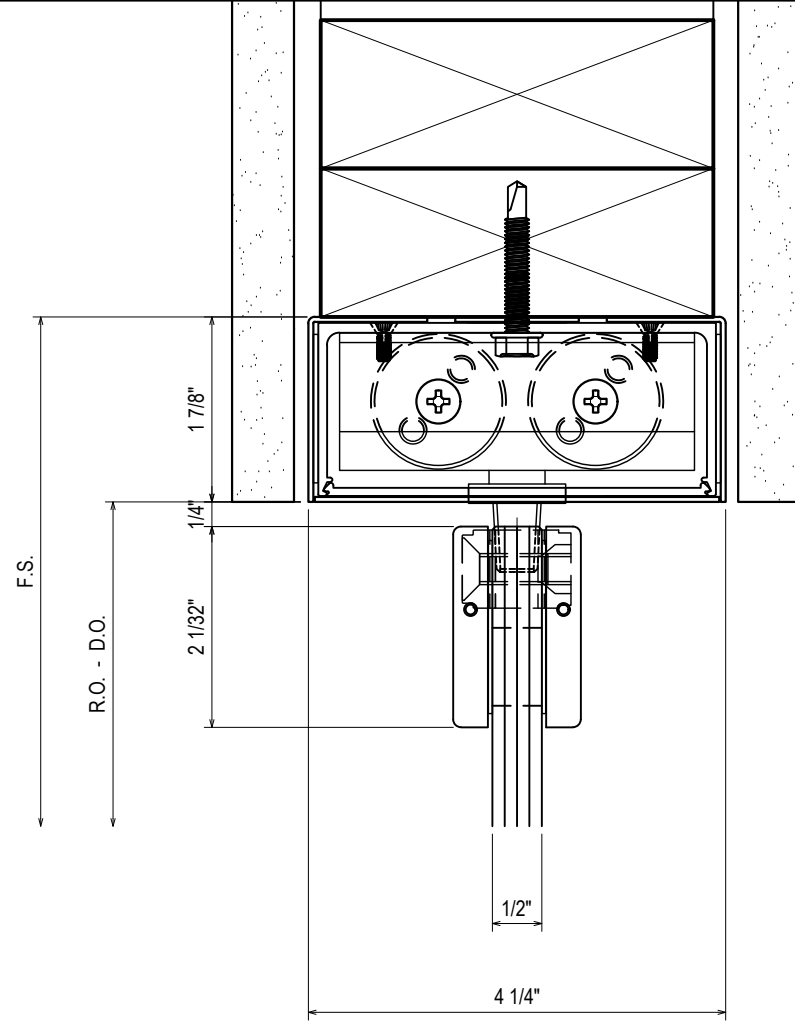
SPRINGFIELD GLASS COMPANY  
2503 NORTH OAK GROVE AVE.  
SPRINGFIELD, MO 65803  
P: 417.883.6555

PROJECT: INNOVATIVE DENTAL  
CENTER FOR GENERAL &  
ADVANCED DENTISTRY

LOCATION: 3192 E. FARM ROAD 188  
SPRINGFIELD, MO 65721

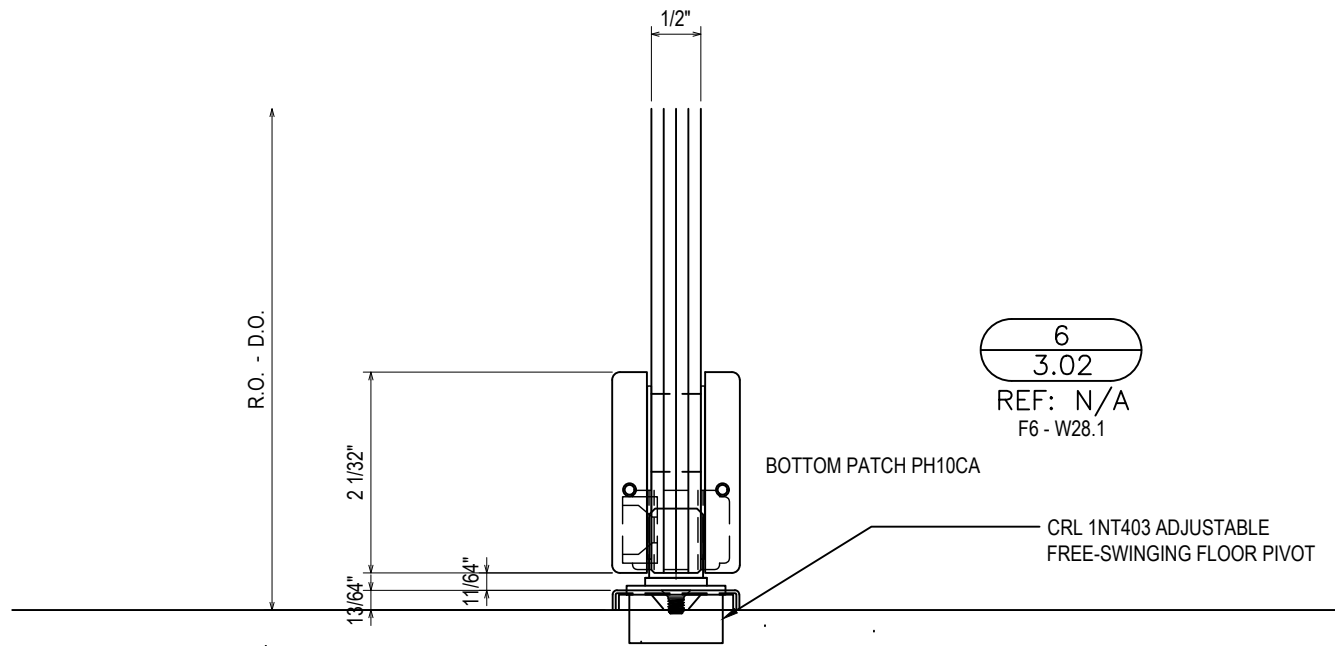
DRAWN BY:	DATE:
RA	01.07.20
CHECKED BY:	DATE:
TF	01.07.20

3.01

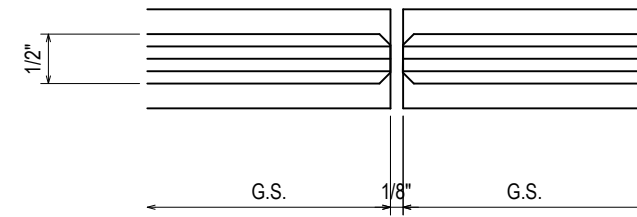


CLOSER CRL9772  
TOP PATCH PH20AA

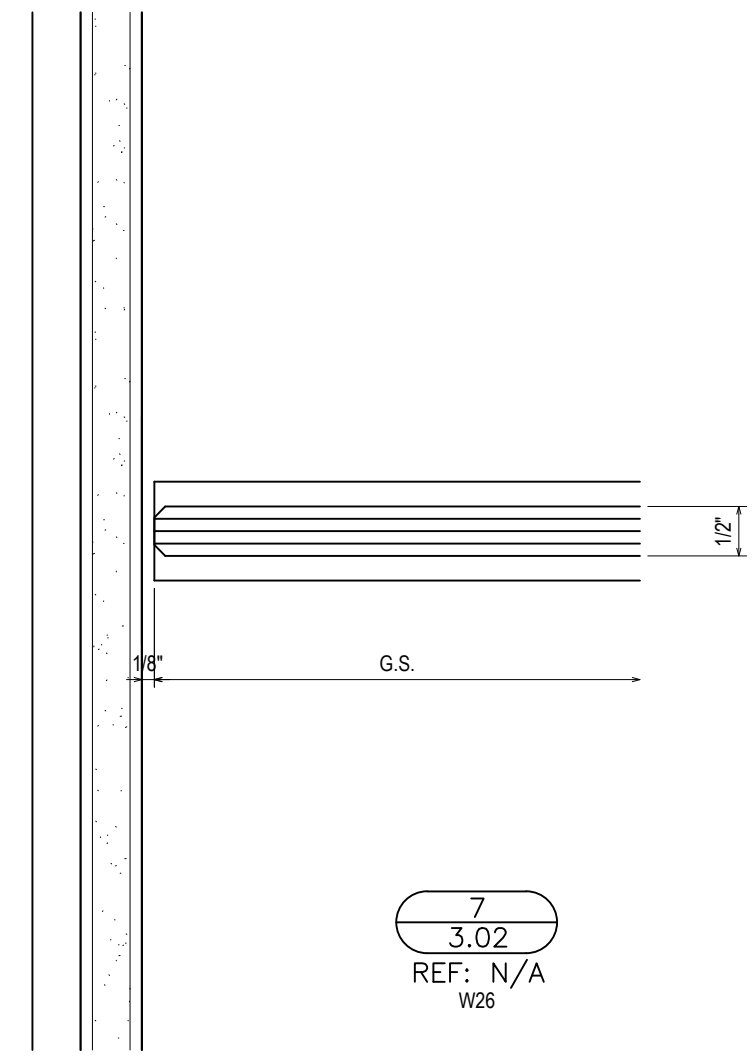
5  
3.02  
REF: N/A  
W28.1



6  
3.02  
REF: N/A  
F6 - W28.1



8  
3.02  
REF: N/A  
W26 - W30 - W31 - W32



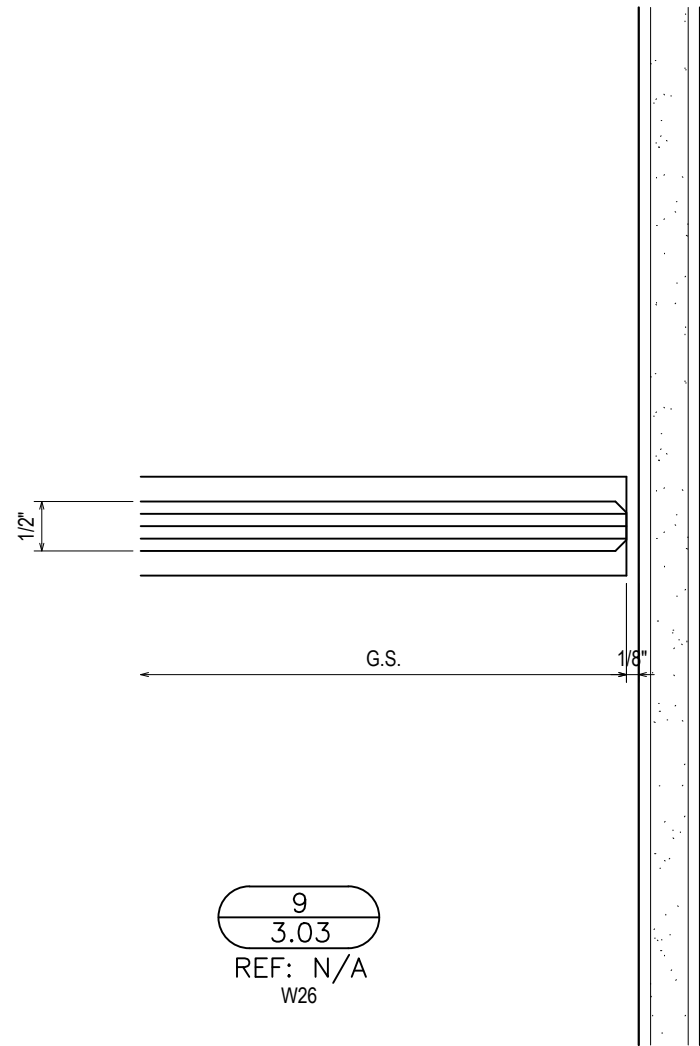
7  
3.02  
REF: N/A  
W26

1ST SUBMISSION	01.07.20
1ST REVISION	01.23.20
2ND REVISION	03.11.20
NO	DATE
DRAWING SUBMISSION	

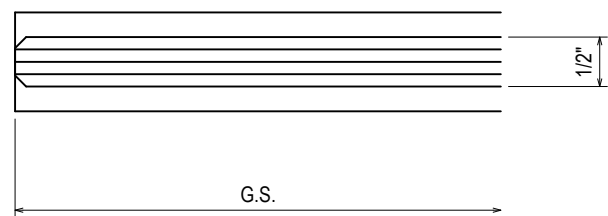
PROJECT: INNOVATIVE DENTAL  
CENTER FOR GENERAL &  
ADVANCED DENTISTRY  
LOCATION: 3192 E. FARM ROAD 188  
SPRINGFIELD, MO 65721

SPRINGFIELD GLASS COMPANY  
2503 NORTH OAK GROVE AVE.  
SPRINGFIELD, MO 65803  
P: 417.883.6555

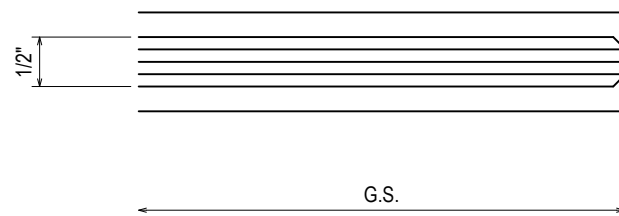
DRAWN BY:	DATE:
RA	01.07.20
CHECKED BY:	DATE:
TF	01.07.20



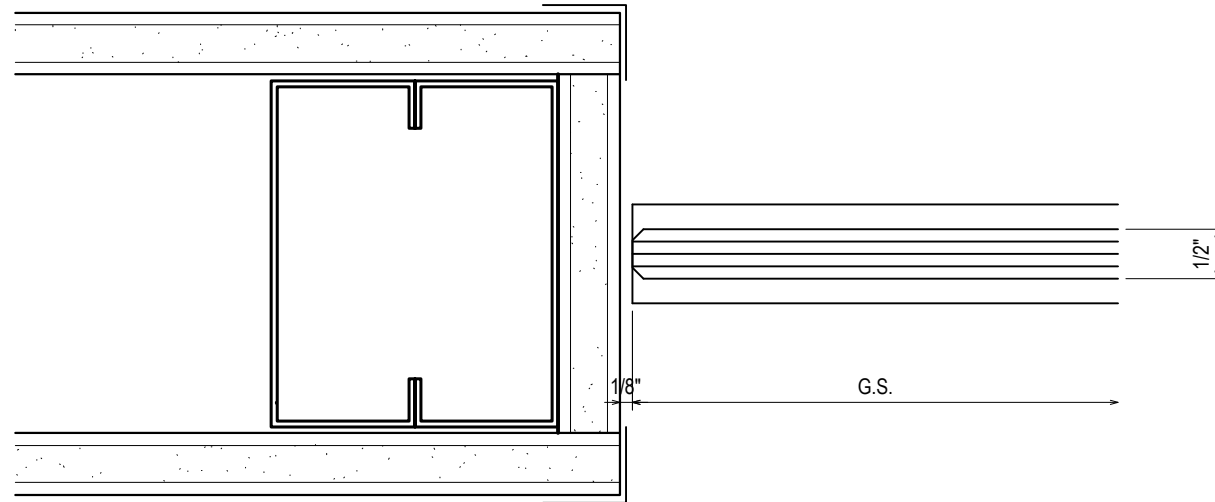
9  
3.03  
REF: N/A  
W26



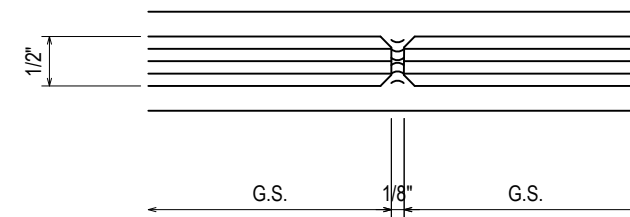
11  
3.03  
REF: N/A  
W24 - W26



12  
3.03  
REF: N/A  
W26



10  
3.03  
REF: N/A  
W27



13  
3.03  
REF: N/A  
W25 - W27 - W28

1ST SUBMISSION	01.07.20
1ST REVISION	01.23.20
2ND REVISION	03.11.20
NO	DATE
DRAWING SUBMISSION	

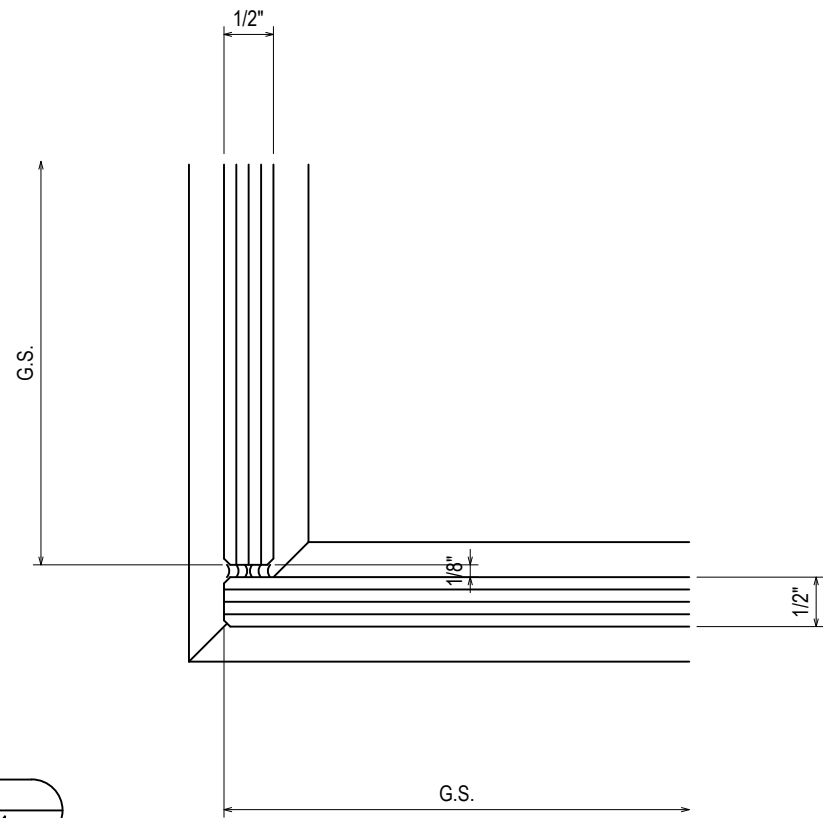
SPRINGFIELD GLASS COMPANY  
2503 NORTH OAK GROVE AVE.  
SPRINGFIELD, MO 65803  
P: 417.883.6555

PROJECT: INNOVATIVE DENTAL  
CENTER FOR GENERAL &  
ADVANCED DENTISTRY  
LOCATION: 3192 E. FARM ROAD 188  
SPRINGFIELD, MO 65721

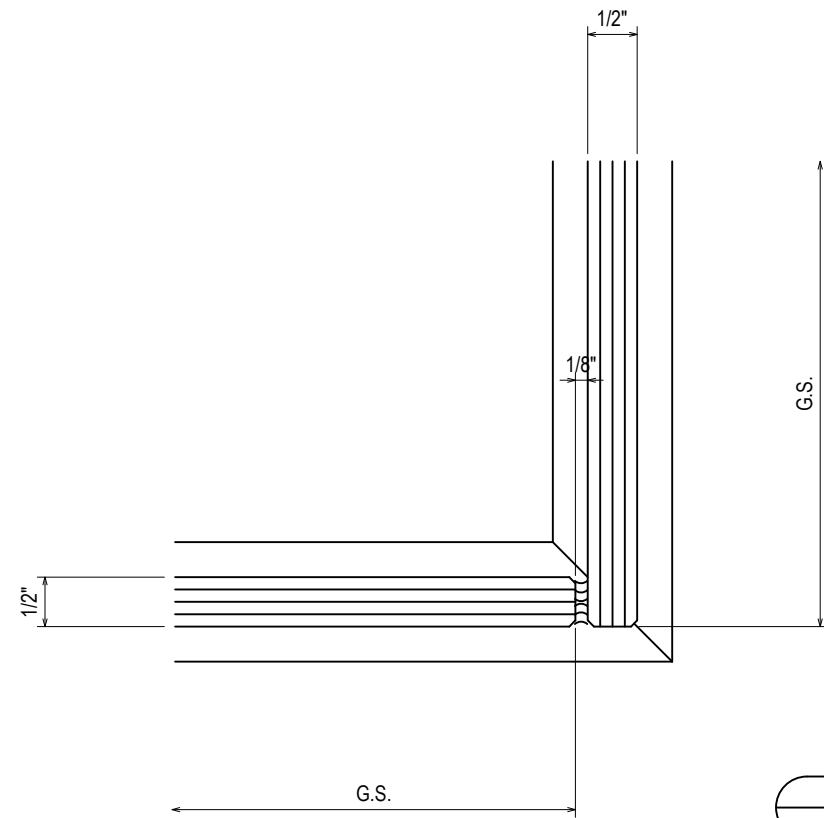
DRAWN BY:	DATE:
RA	01.07.20
CHECKED BY:	DATE:
TF	01.07.20



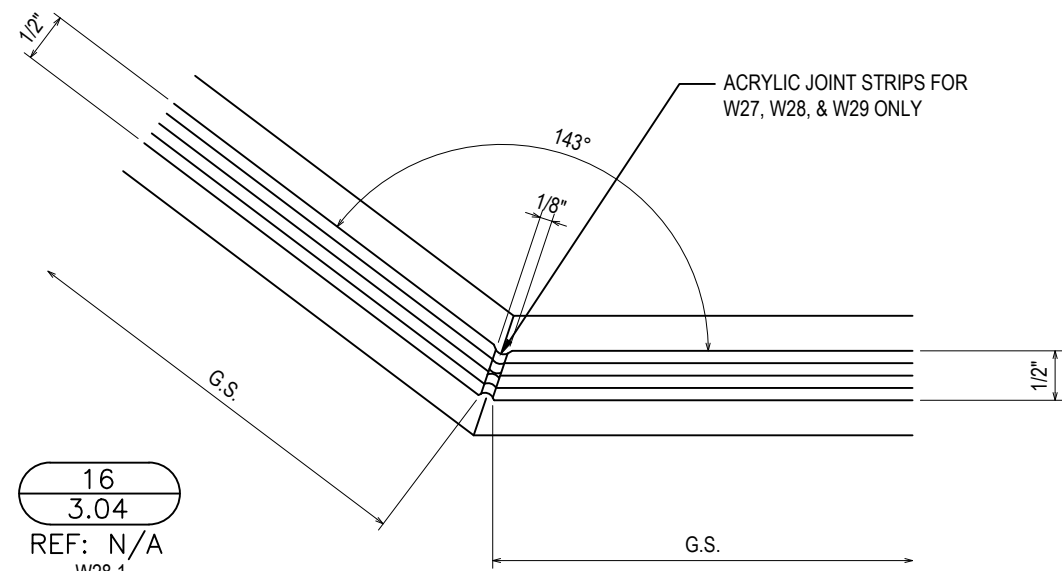
14  
3.04  
REF: N/A  
W25 - W28



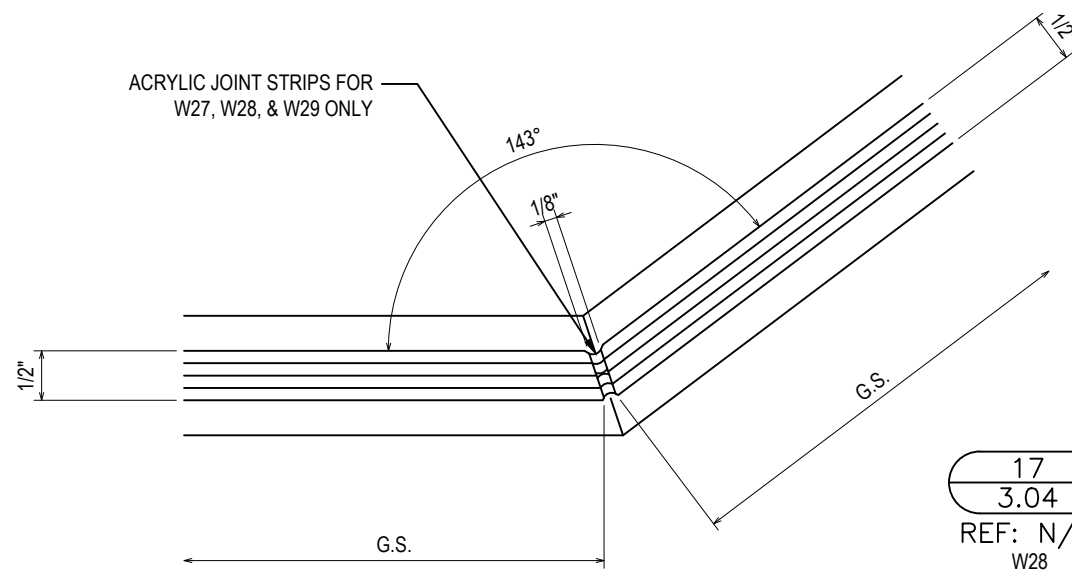
15  
3.04  
REF: N/A  
W24 - W27



16  
3.04  
REF: N/A  
W28.1



17  
3.04  
REF: N/A  
W28



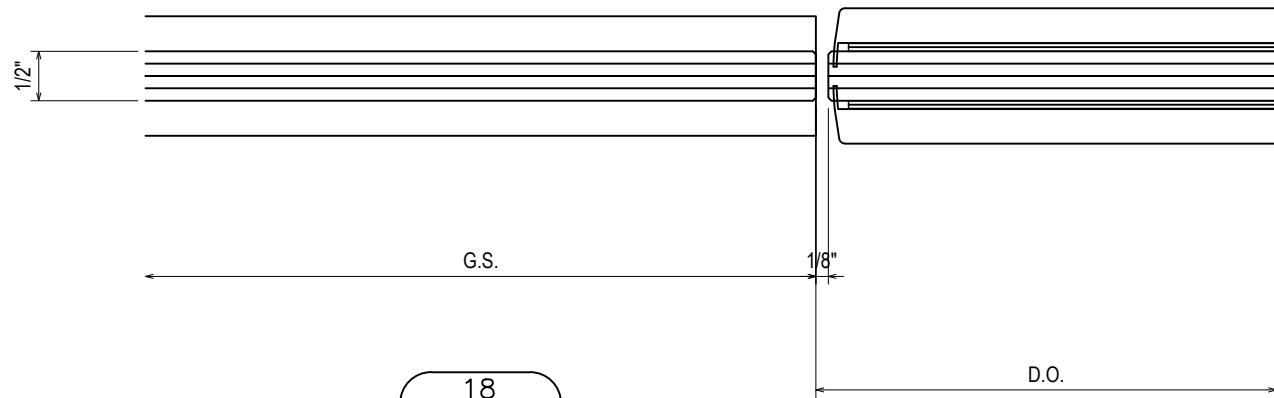
1ST SUBMISSION	01.07.20
1ST REVISION	01.23.20
2ND REVISION	03.11.20
NO	DATE
DRAWING SUBMISSION	

SPRINGFIELD GLASS COMPANY  
2503 NORTH OAK GROVE AVE.  
SPRINGFIELD, MO 65803  
P: 417.883.6555

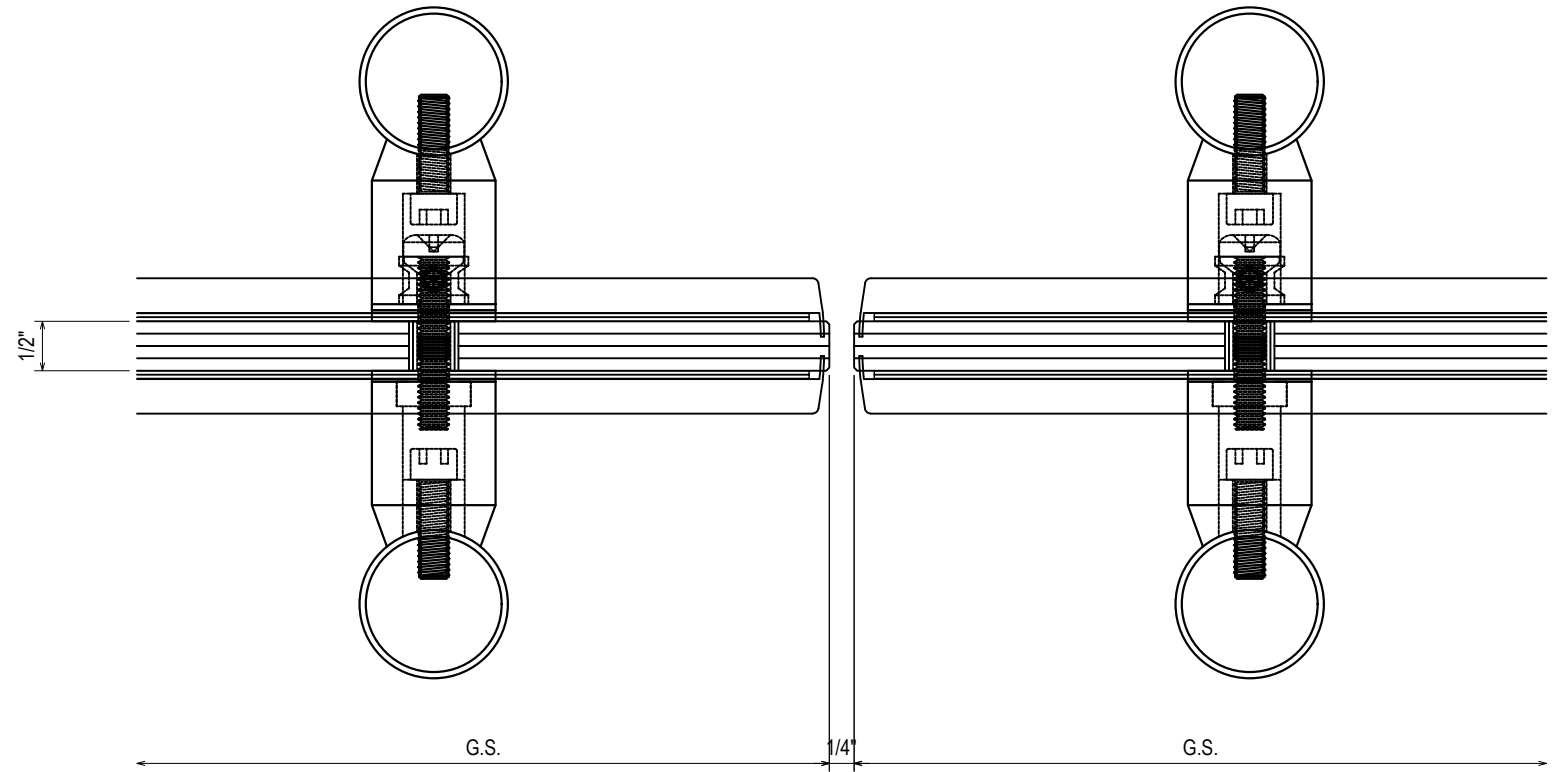
PROJECT: INNOVATIVE DENTAL  
CENTER FOR GENERAL &  
ADVANCED DENTISTRY

LOCATION: 3192 E. FARM ROAD 188  
SPRINGFIELD, MO 65721

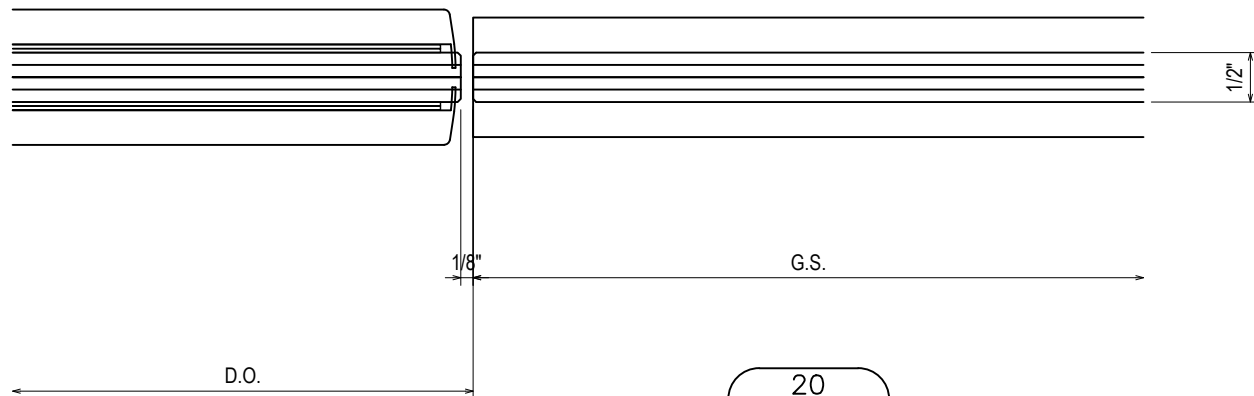
DRAWN BY:	DATE:
RA	01.07.20
CHECKED BY:	DATE:
TF	01.07.20



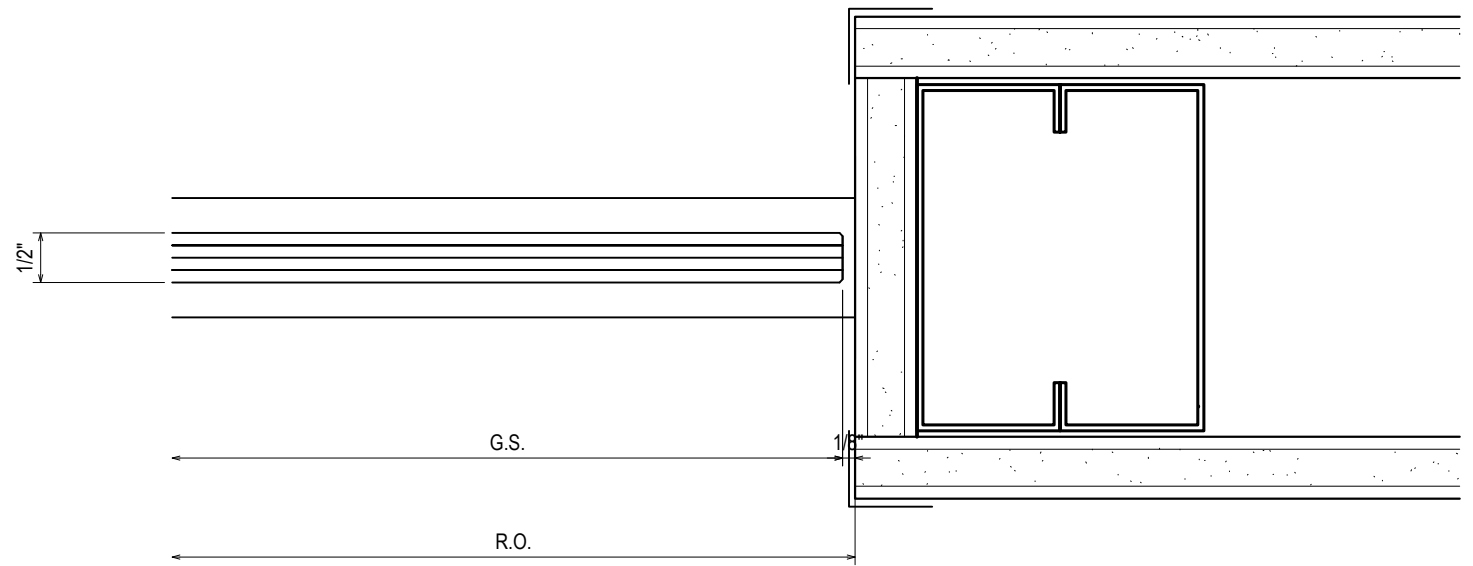
18  
3.05  
REF: N/A  
W28.1



19  
3.05  
REF: N/A  
F6 - W28.1



20  
3.05  
REF: N/A  
W28.1



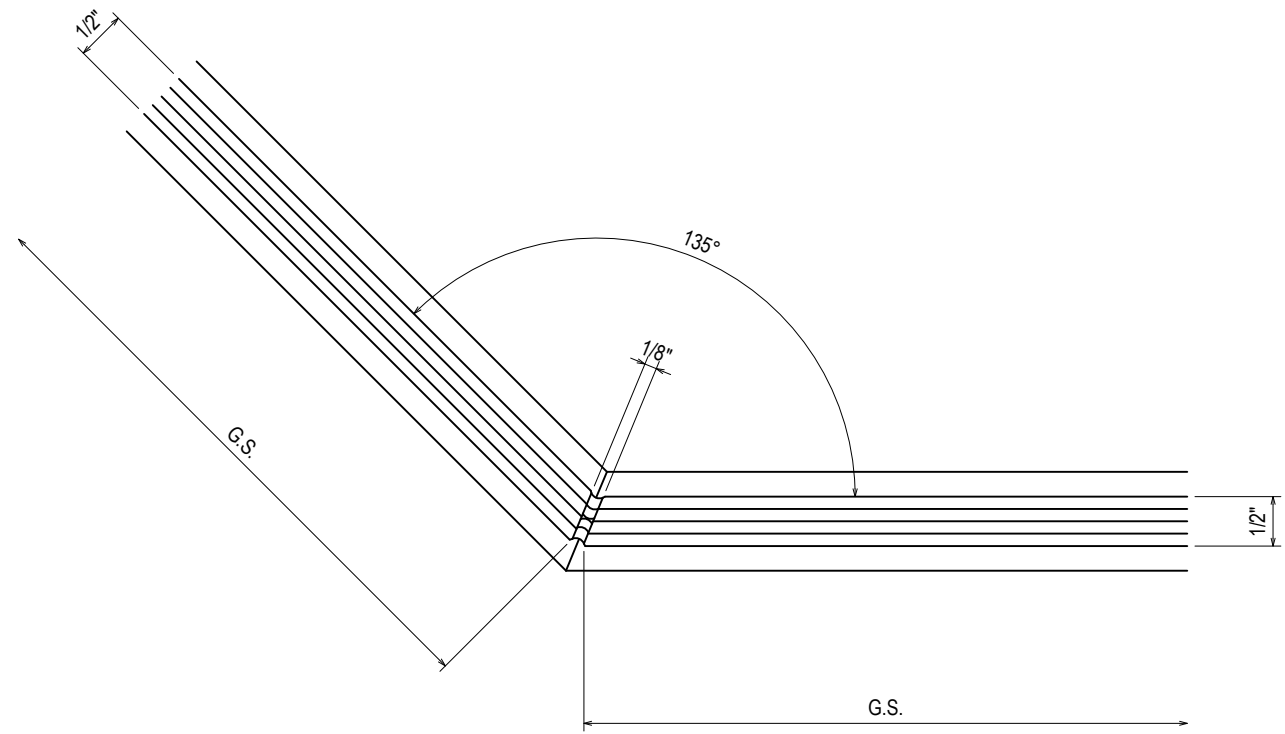
21  
3.05  
REF: N/A  
W25 - W29

1ST SUBMISSION	01.07.20
1ST REVISION	01.23.20
2ND REVISION	03.11.20
NO	DATE
DRAWING SUBMISSION	

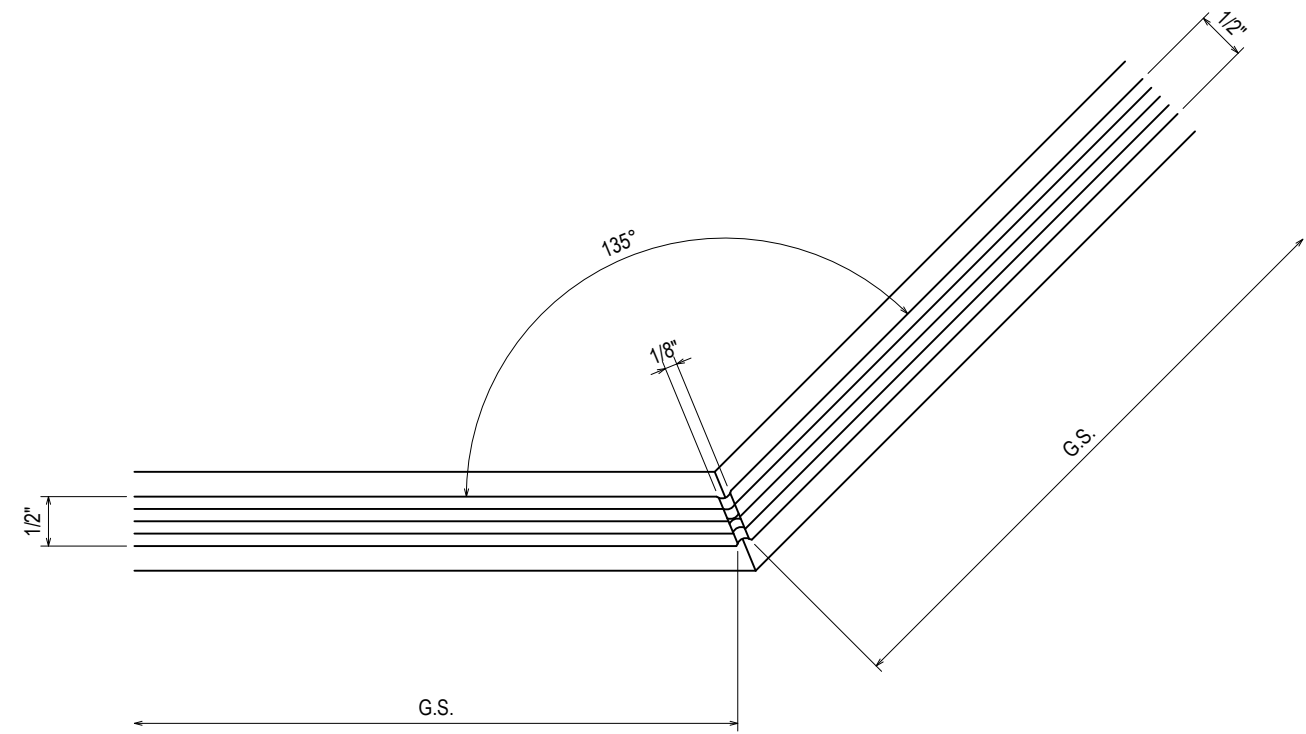
SPRINGFIELD GLASS COMPANY  
2503 NORTH OAK GROVE AVE.  
SPRINGFIELD, MO 65803  
P: 417.883.6555

PROJECT: INNOVATIVE DENTAL  
CENTER FOR GENERAL &  
ADVANCED DENTISTRY  
LOCATION: 3192 E. FARM ROAD 188  
SPRINGFIELD, MO 65721

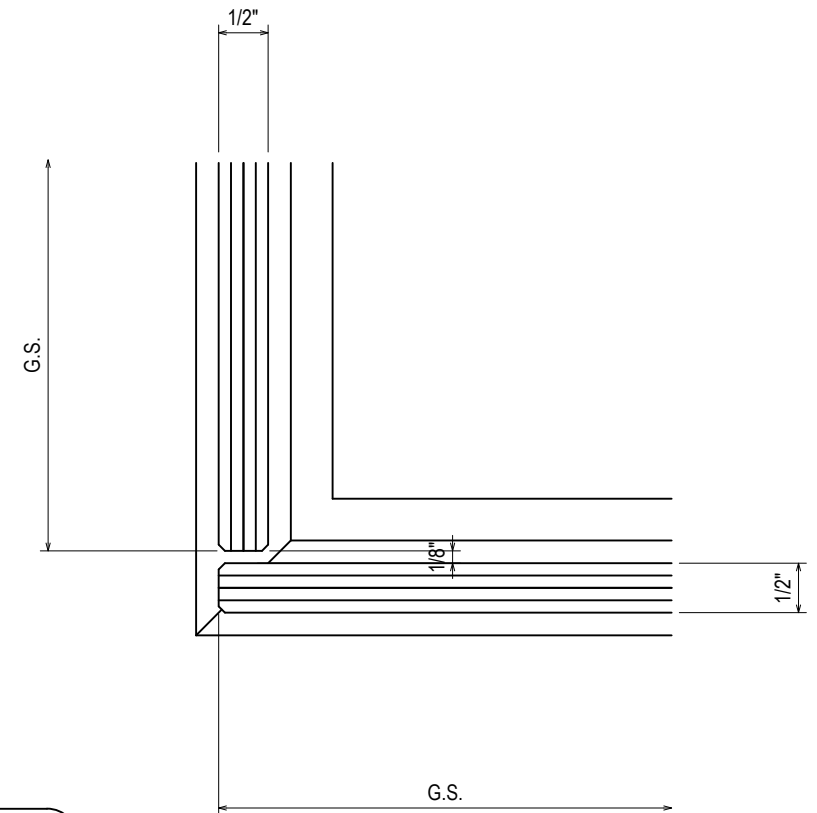
DRAWN BY: RA	DATE: 01.07.20
CHECKED BY: TF	DATE: 01.07.20



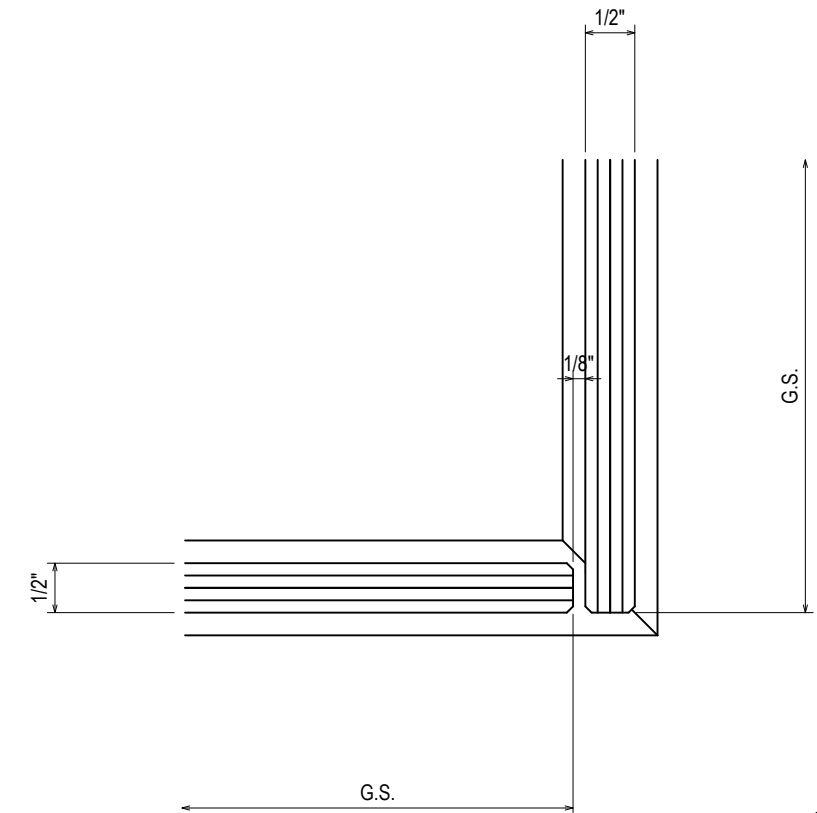
22  
3.06  
REF: N/A  
W29



23  
3.06  
REF: N/A  
W28.1



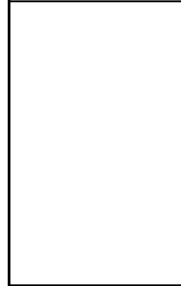
24  
3.06  
REF: N/A  
W31



25  
3.06  
REF: N/A  
W30

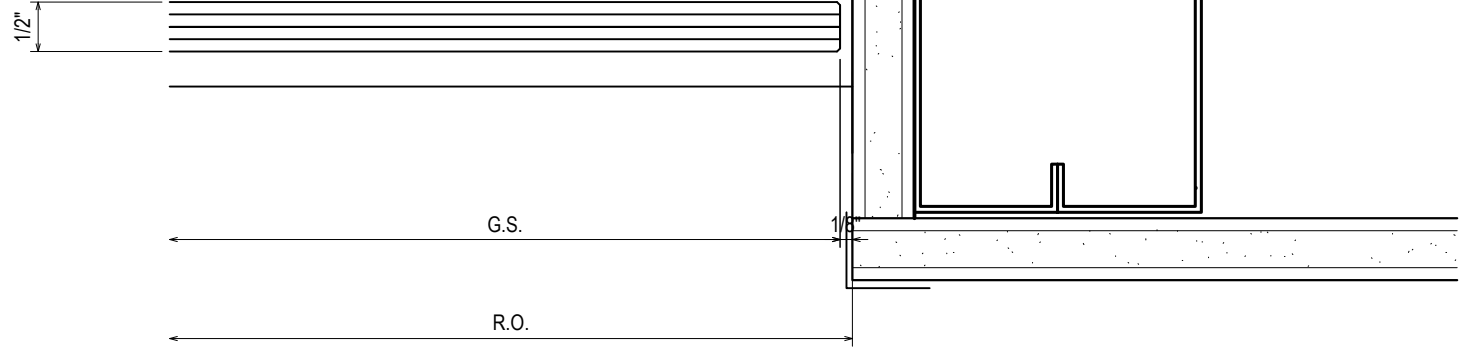
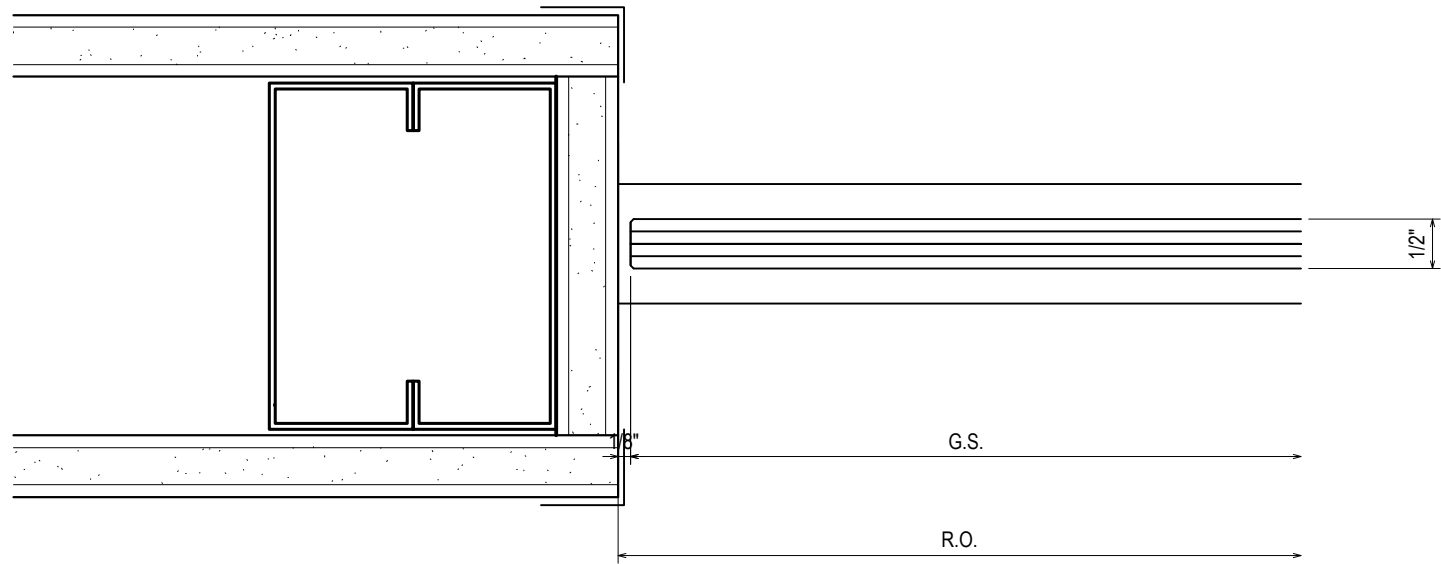
1ST SUBMISSION	01.07.20
1ST REVISION	01.23.20
2ND REVISION	03.11.20
NO	DATE
DRAWING SUBMISSION	

SPRINGFIELD GLASS COMPANY  
 2503 NORTH OAK GROVE AVE.  
 SPRINGFIELD, MO 65803  
 P: 417.883.6555



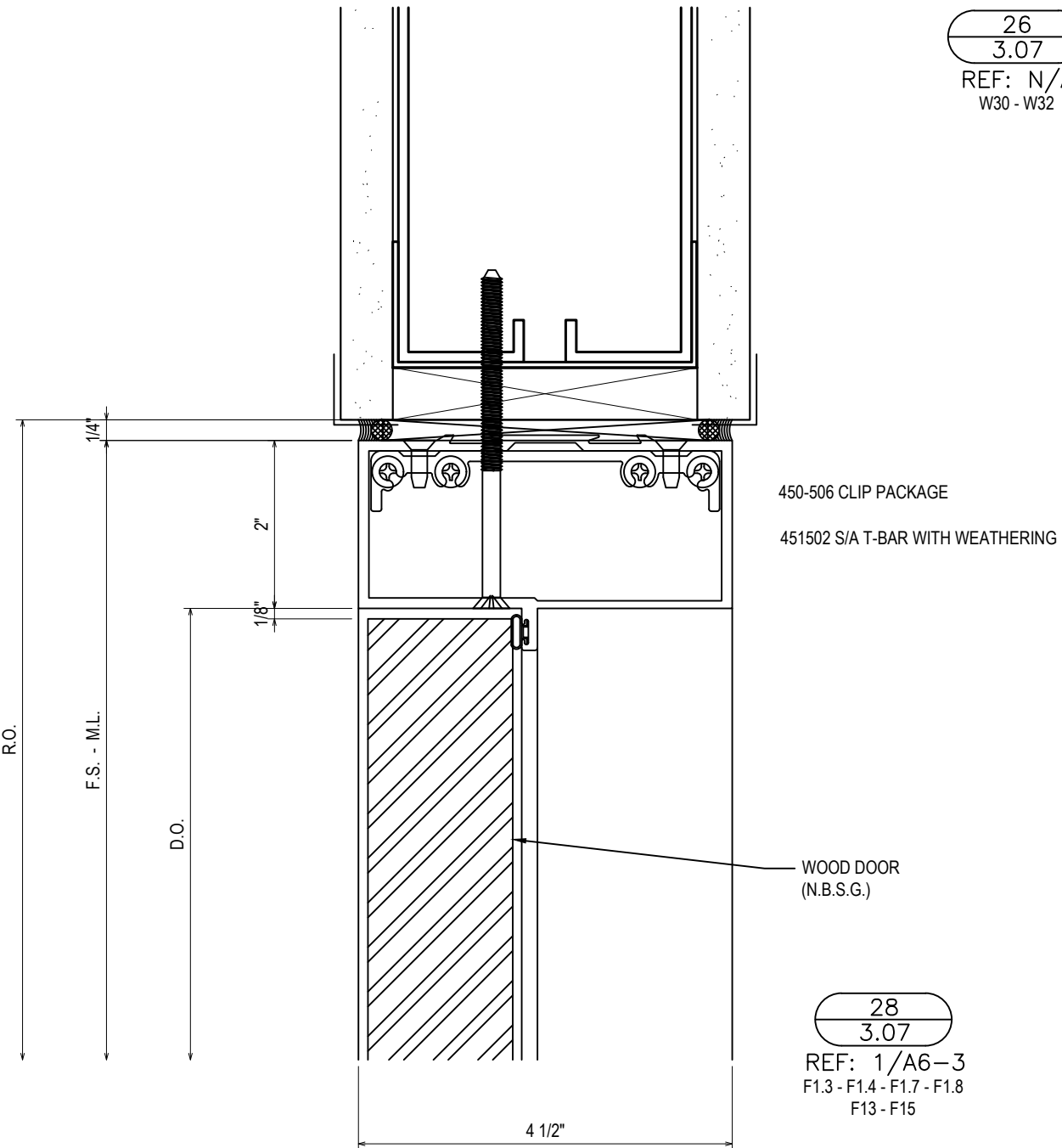
PROJECT: INNOVATIVE DENTAL  
 CENTER FOR GENERAL &  
 ADVANCED DENTISTRY  
 LOCATION: 3192 E. FARM ROAD 188  
 SPRINGFIELD, MO 65721

DRAWN BY:	DATE:
RA	01.07.20
CHECKED BY:	DATE:
TF	01.07.20



26  
3.07  
REF: N/A  
W30 - W32

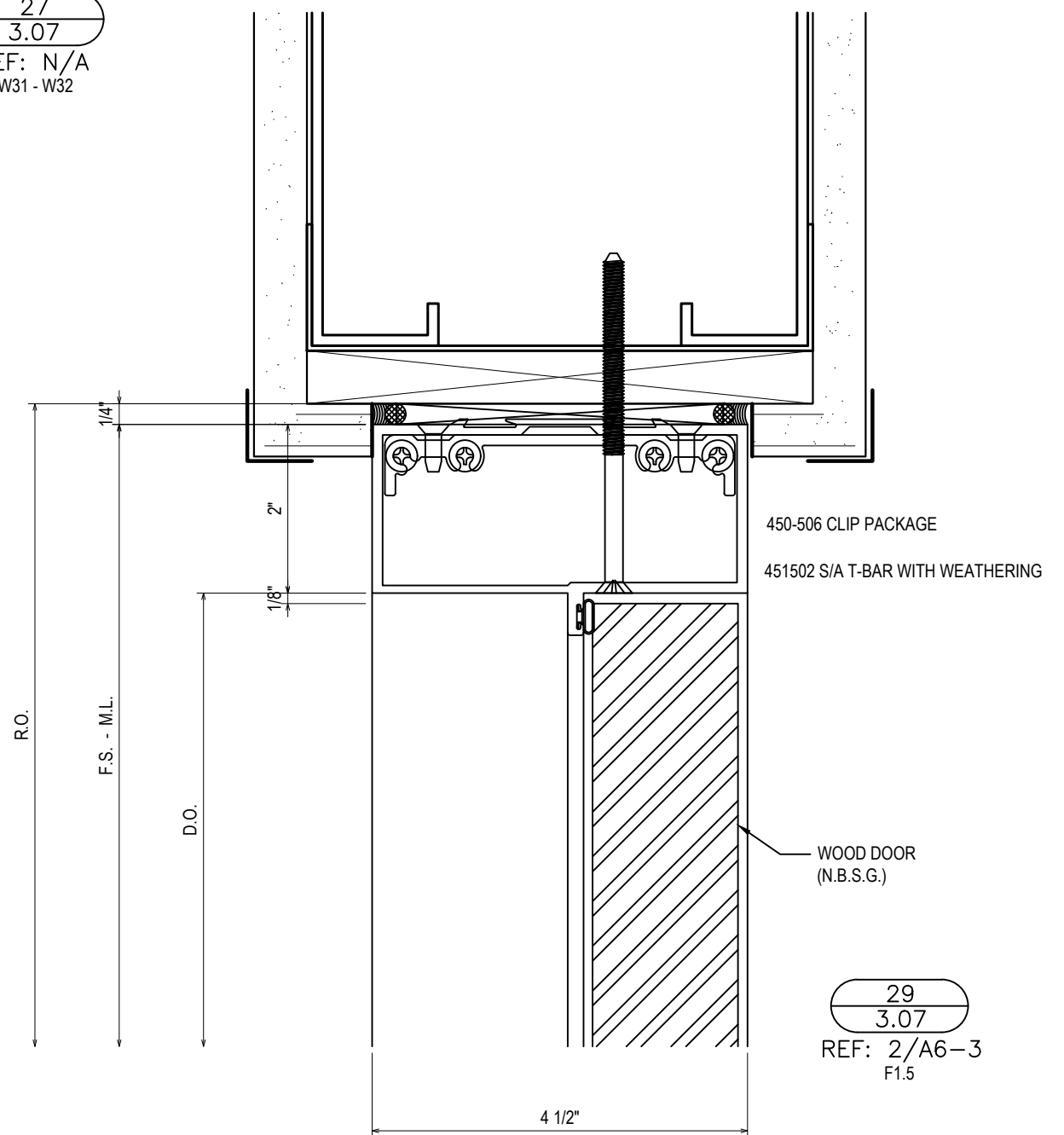
27  
3.07  
REF: N/A  
W31 - W32



450-506 CLIP PACKAGE  
451502 S/A T-BAR WITH WEATHERING

WOOD DOOR  
(N.B.S.G.)

28  
3.07  
REF: 1/A6-3  
F1.3 - F1.4 - F1.7 - F1.8  
F13 - F15



450-506 CLIP PACKAGE  
451502 S/A T-BAR WITH WEATHERING

WOOD DOOR  
(N.B.S.G.)

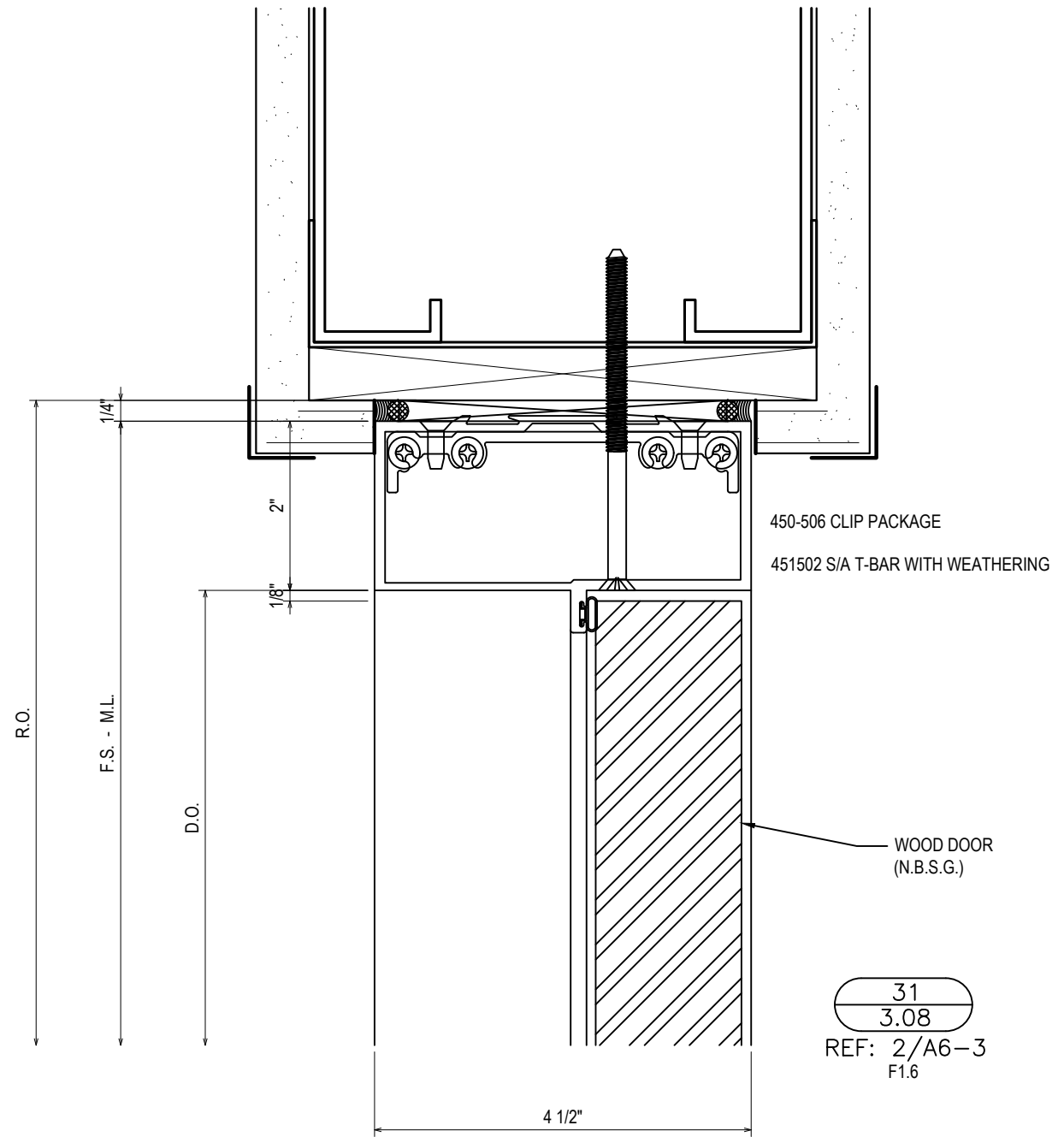
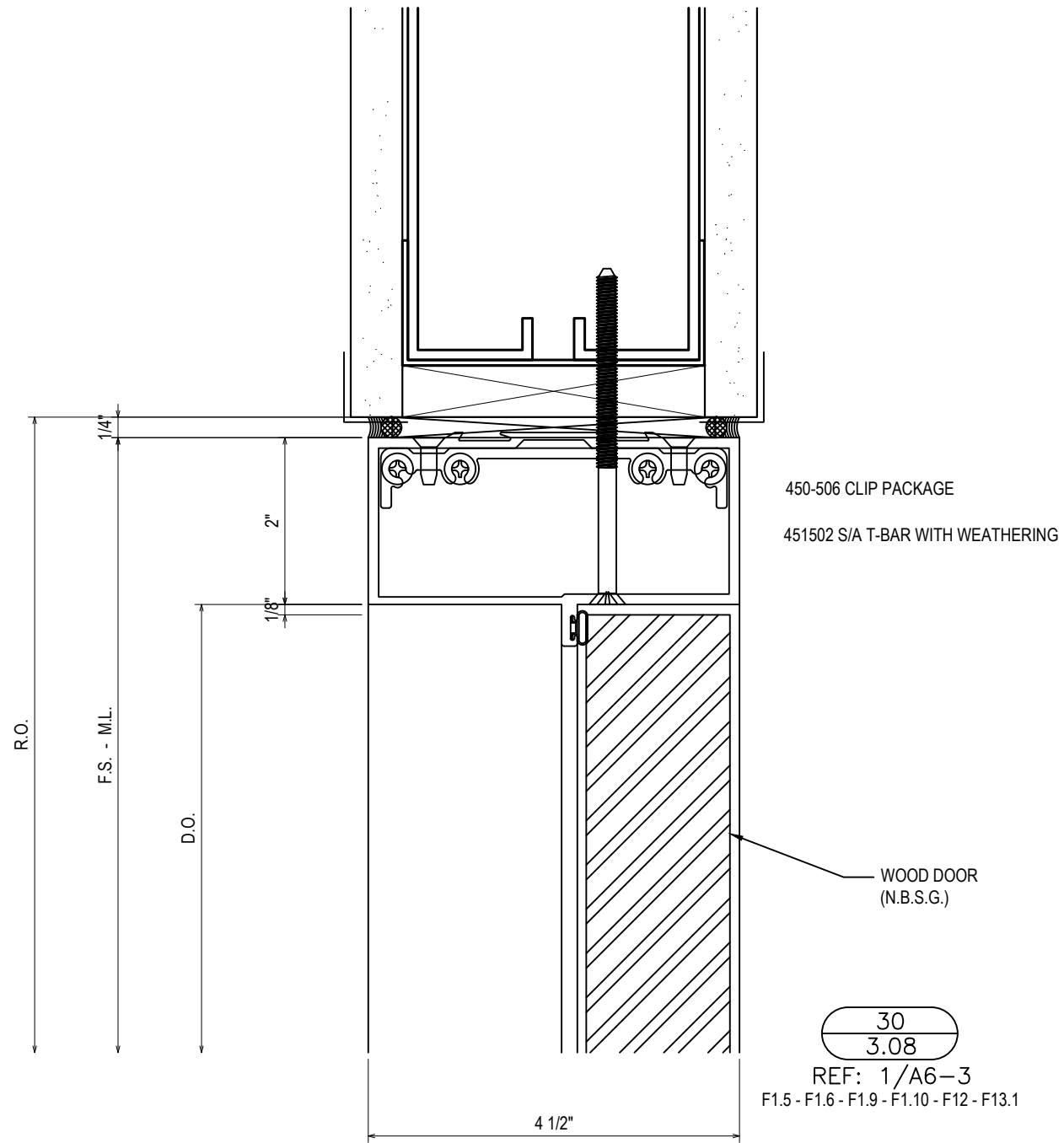
29  
3.07  
REF: 2/A6-3  
F1.5

1ST SUBMISSION	01.07.20
1ST REVISION	01.23.20
2ND REVISION	03.11.20
NO	DATE
DRAWING SUBMISSION	

SPRINGFIELD GLASS COMPANY  
2503 NORTH OAK GROVE AVE.  
SPRINGFIELD, MO 65803  
P: 417.883.6555

PROJECT: INNOVATIVE DENTAL  
CENTER FOR GENERAL &  
ADVANCED DENTISTRY  
LOCATION: 3192 E. FARM ROAD 188  
SPRINGFIELD, MO 65721

DRAWN BY:	DATE:
RA	01.07.20
CHECKED BY:	DATE:
TF	01.07.20



NO	DESCRIPTION	DATE
1	1ST SUBMISSION	01.07.20
2	1ST REVISION	01.23.20
3	2ND REVISION	03.11.20

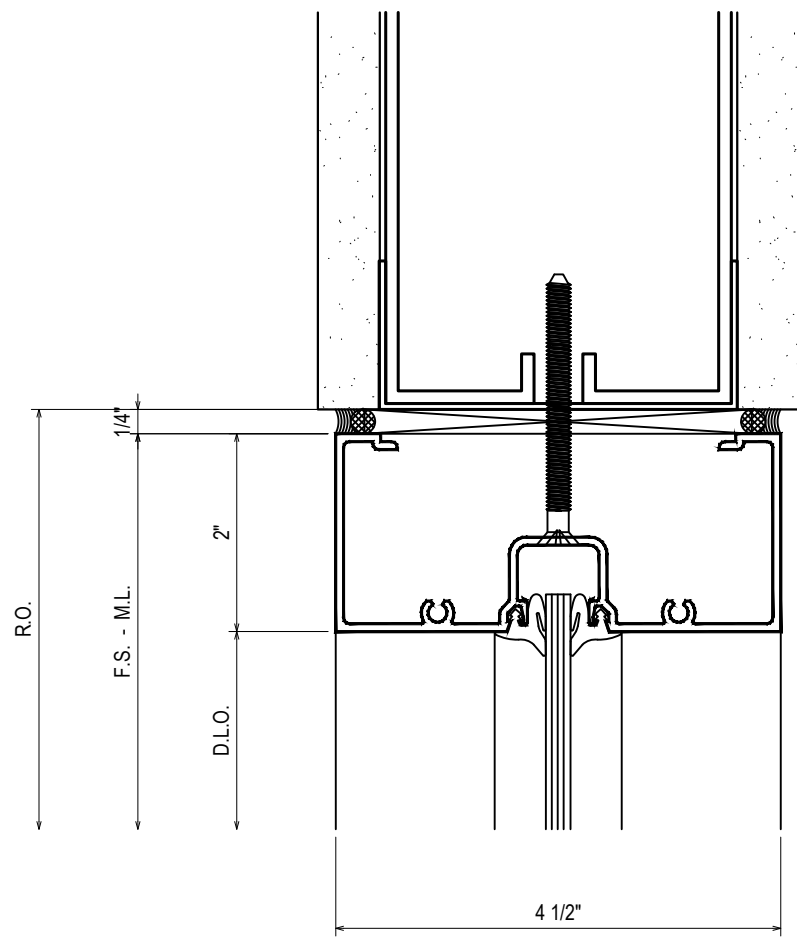
PROJECT: INNOVATIVE DENTAL  
CENTER FOR GENERAL &  
ADVANCED DENTISTRY

LOCATION: 3192 E. FARM ROAD 188  
SPRINGFIELD, MO 65721

SPRINGFIELD GLASS COMPANY  
2503 NORTH OAK GROVE AVE.  
SPRINGFIELD, MO 65803  
P: 417.883.6555

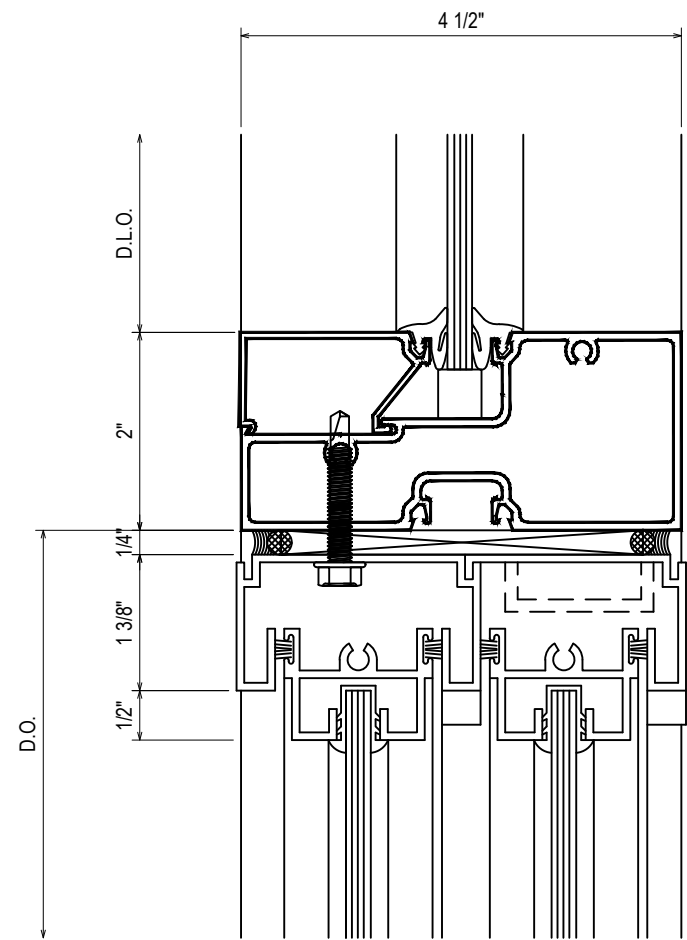
DRAWN BY:	DATE:
RA	01.07.20
CHECKED BY:	DATE:
TF	01.07.20

DRAWING SUBMISSION	
--------------------	--



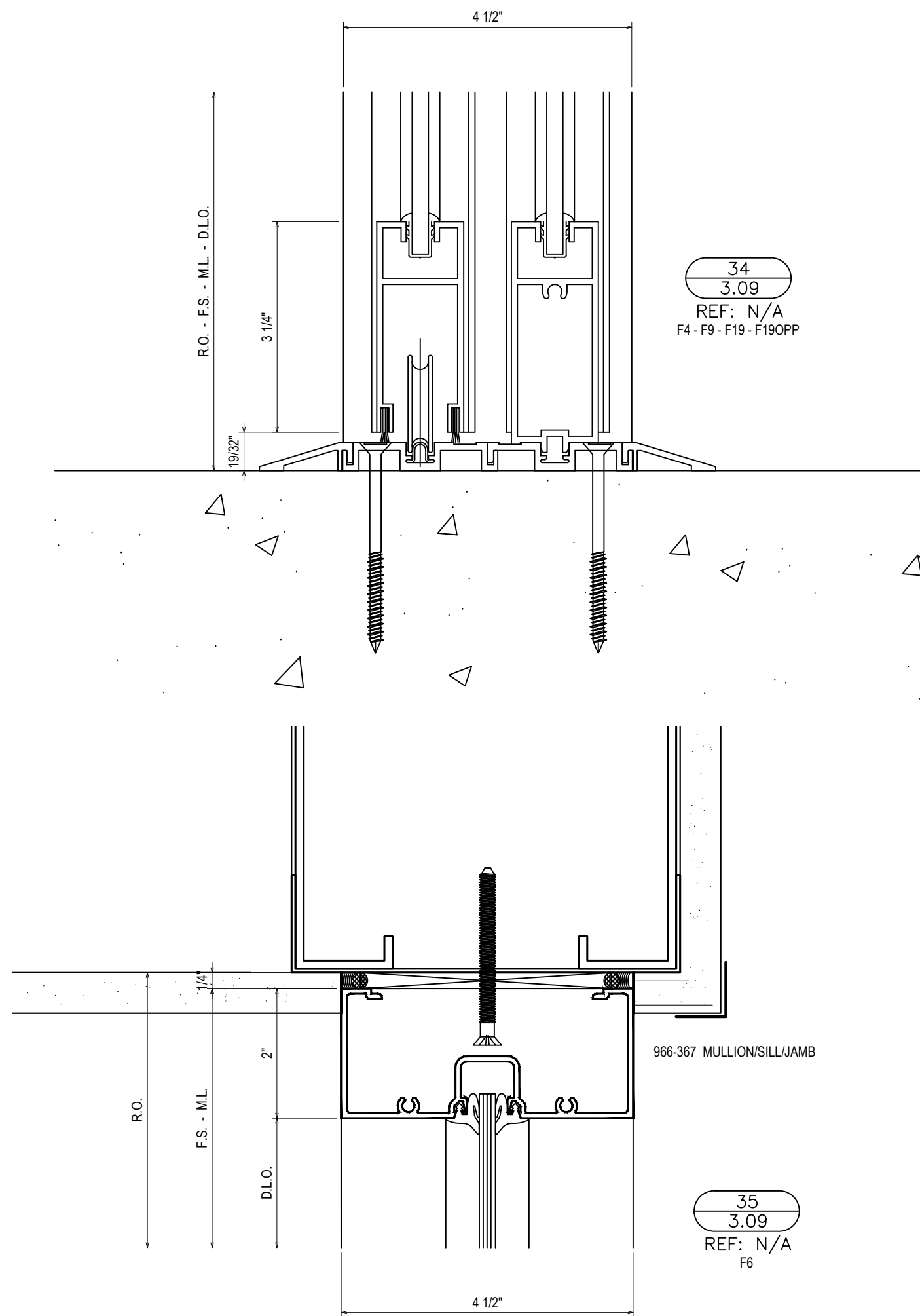
966-367 MULLION/SILL/JAMB

32  
3.09  
REF: 3/A6-3  
F4 - F9 - F12 - F13 - F13.1  
F14 - F15 - W33



450-CG-004 GLASS STOP  
996-368 TUBE HORIZONTAL

33  
3.09  
REF: N/A  
F4 - F9



34  
3.09  
REF: N/A  
F4 - F9 - F19 - F19OPP

966-367 MULLION/SILL/JAMB

35  
3.09  
REF: N/A  
F6

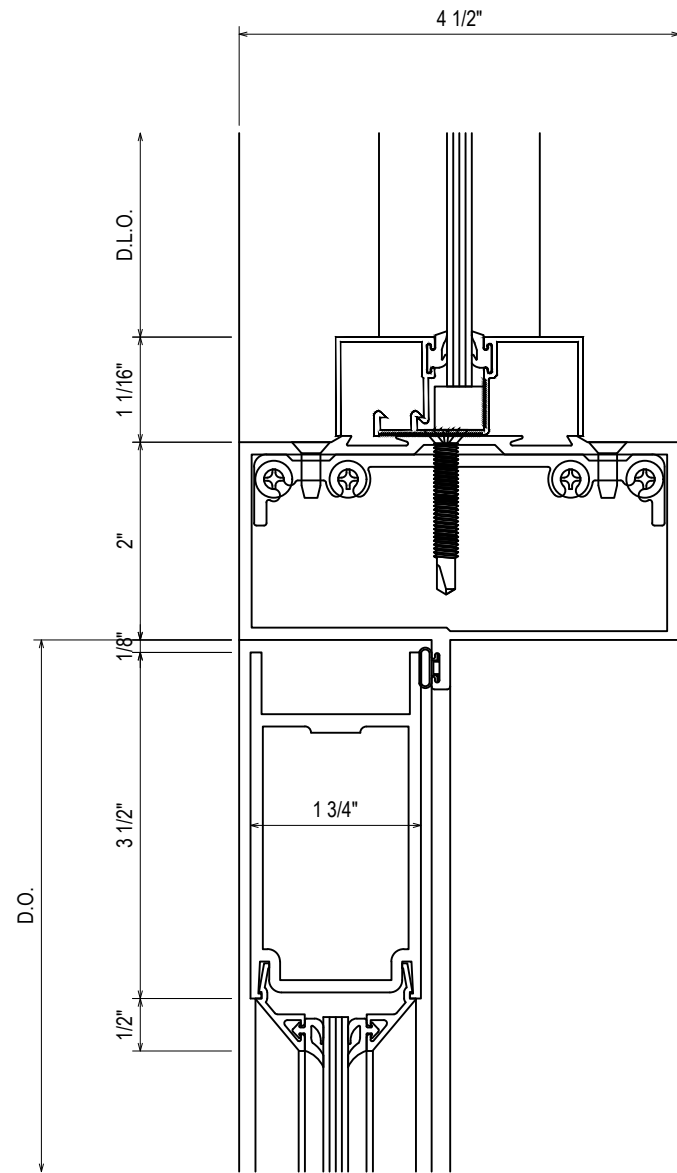
NO	DESCRIPTION	DATE
1	1ST SUBMISSION	01.07.20
1	1ST REVISION	01.23.20
2	2ND REVISION	03.11.20
	DRAWING SUBMISSION	

PROJECT: INNOVATIVE DENTAL  
CENTER FOR GENERAL &  
ADVANCED DENTISTRY  
LOCATION: 3192 E. FARM ROAD 188  
SPRINGFIELD, MO 65721

SPRINGFIELD GLASS COMPANY  
2503 NORTH OAK GROVE AVE.  
SPRINGFIELD, MO 65803  
P: 417.883.6555

PROJECT: INNOVATIVE DENTAL  
CENTER FOR GENERAL &  
ADVANCED DENTISTRY  
LOCATION: 3192 E. FARM ROAD 188  
SPRINGFIELD, MO 65721

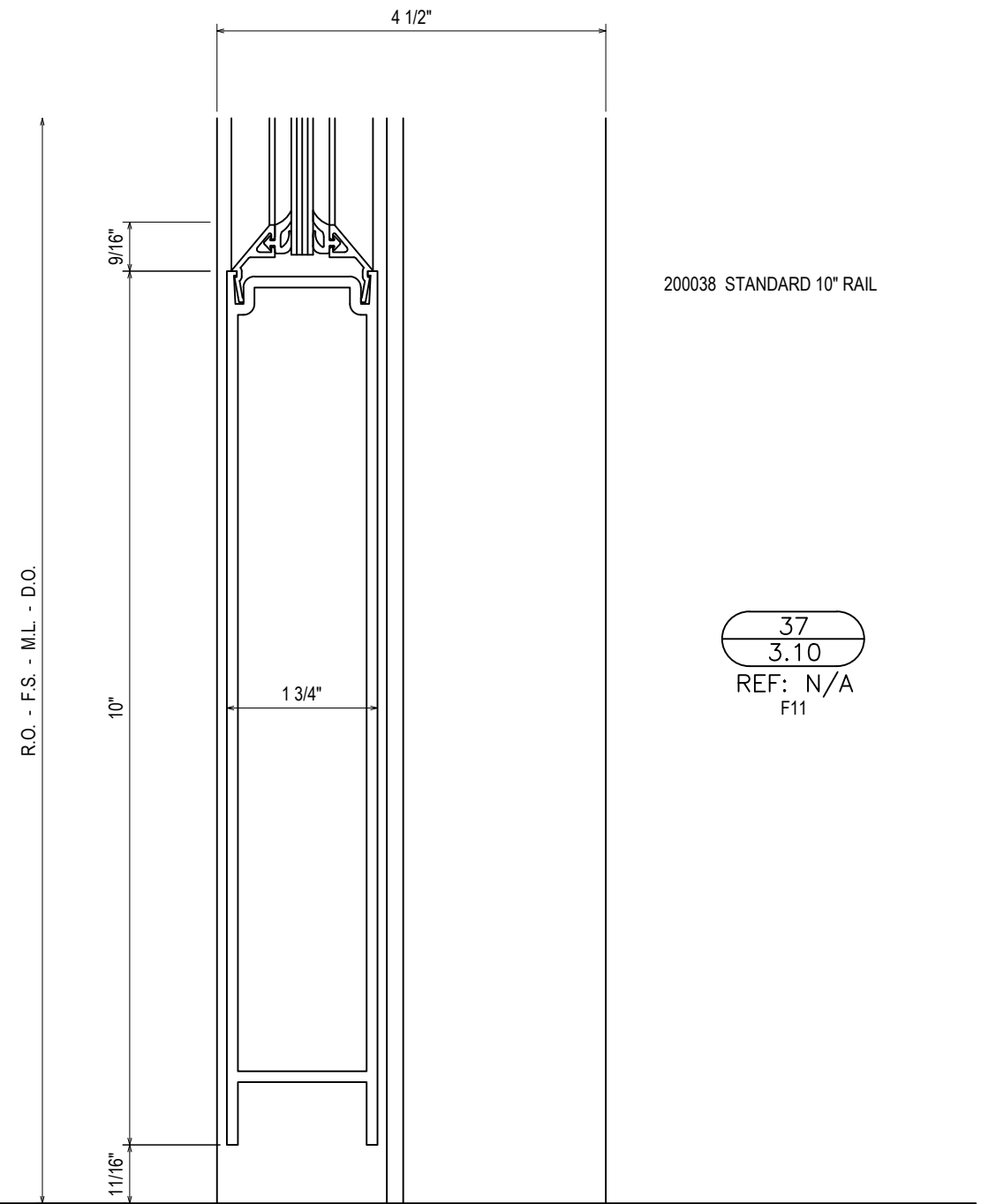
DRAWN BY:	RA	DATE:	01.07.20
CHECKED BY:	TF	DATE:	01.07.20



GUTTER 069198  
 SET BLK 027366  
 FACE 069196

450506 S/A T-BAR CLIP PACKAGE  
 451502 S/A T-BAR WITH WEATHERING

36  
 3.10  
 REF: N/A  
 F11



37  
 3.10  
 REF: N/A  
 F11

NO	DESCRIPTION	DATE
1	1ST SUBMISSION	01.07.20
1	1ST REVISION	01.23.20
2	2ND REVISION	03.11.20
NO	DESCRIPTION	DATE
	DRAWING SUBMISSION	

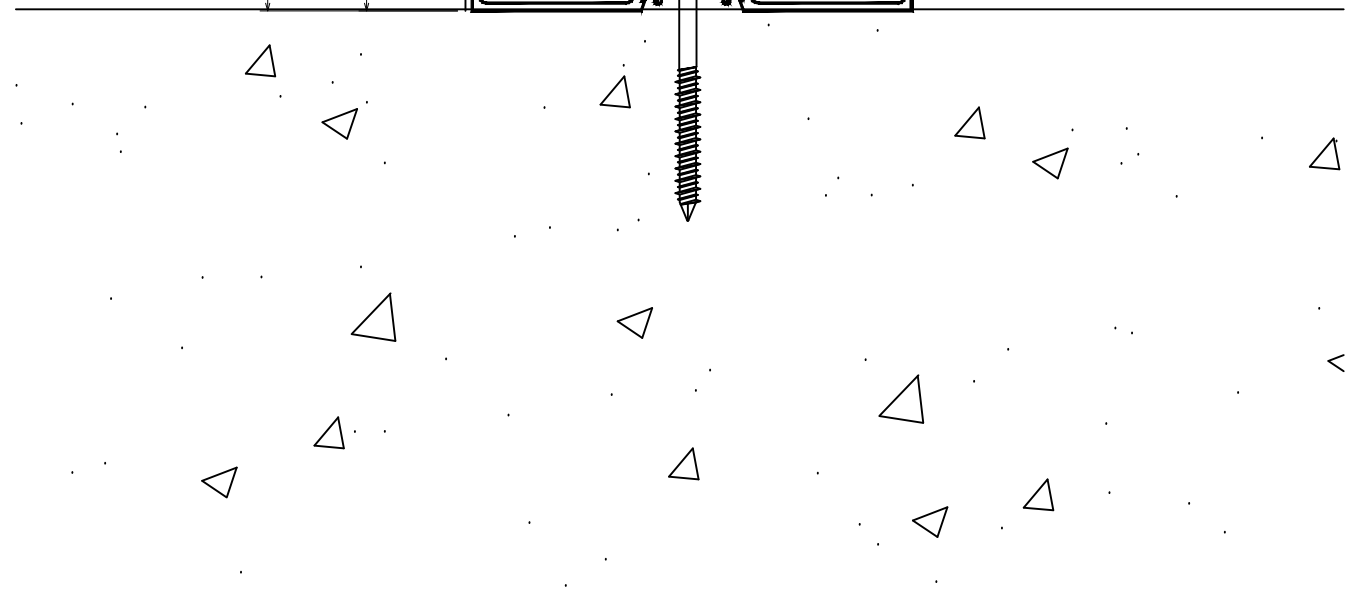
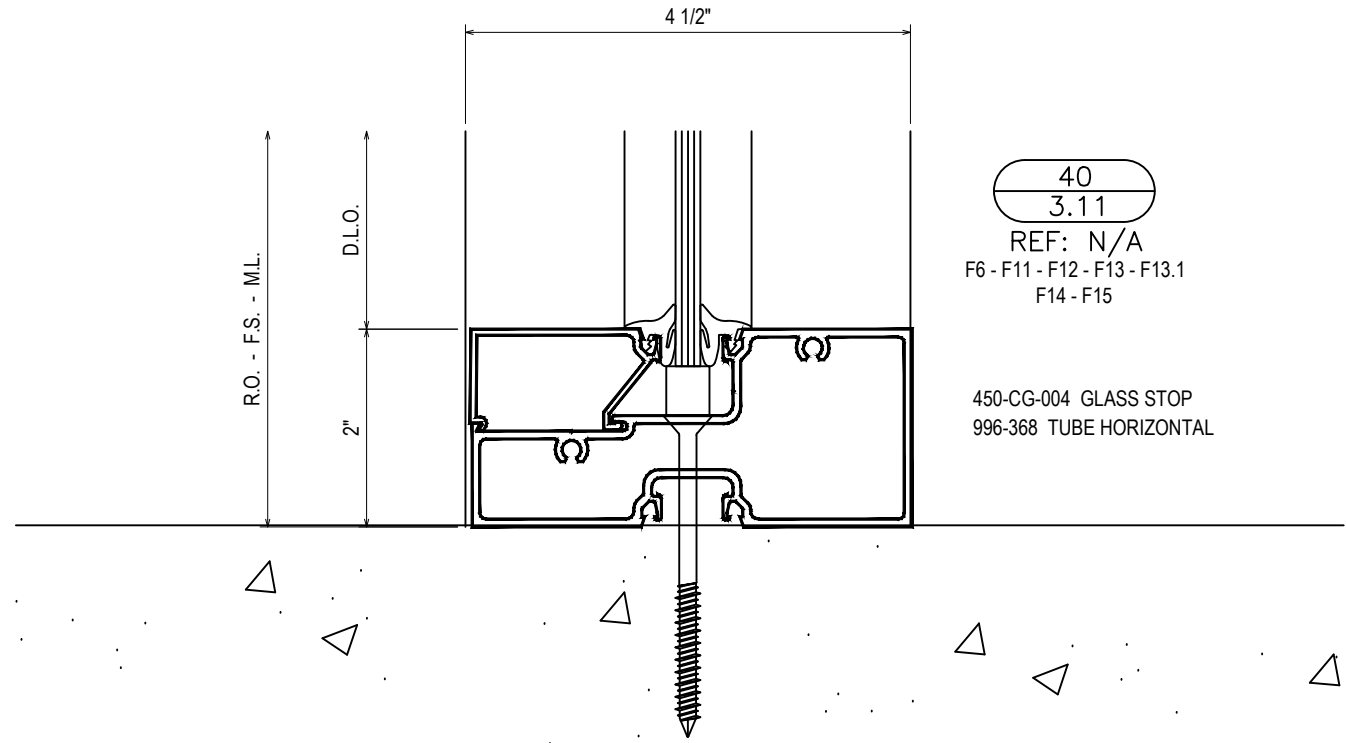
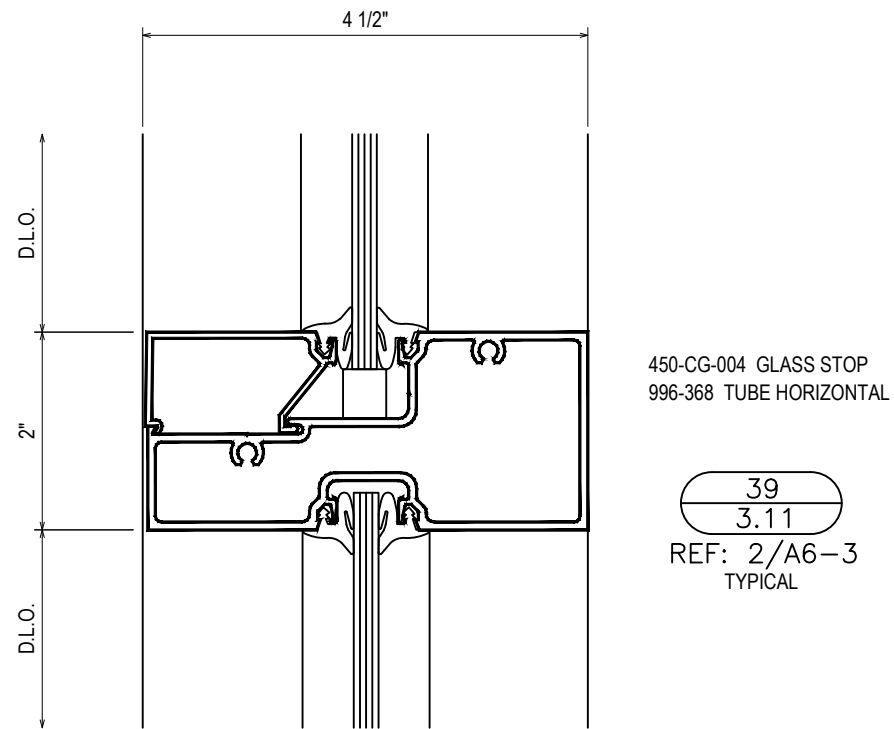
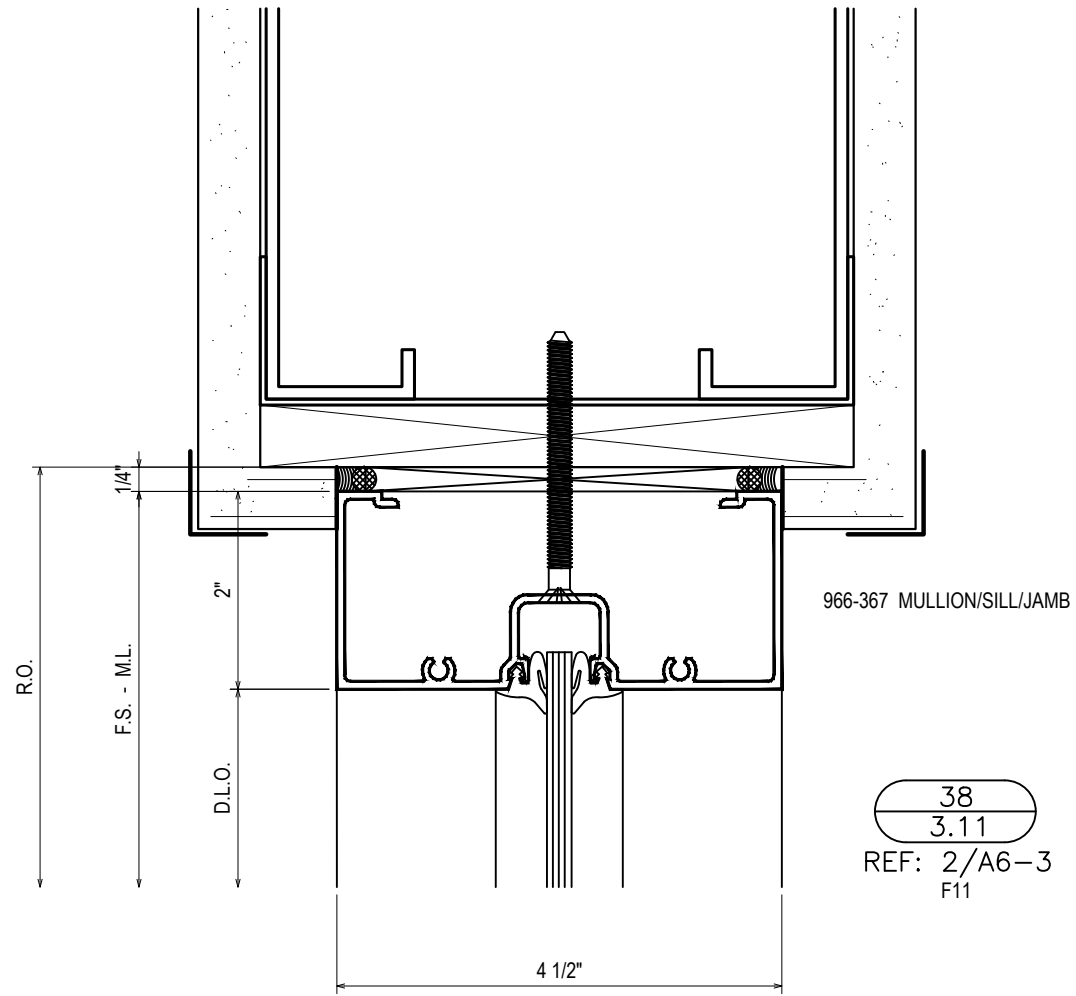
PROJECT: INNOVATIVE DENTAL  
 CENTER FOR GENERAL &  
 ADVANCED DENTISTRY

LOCATION: 3192 E. FARM ROAD 188  
 SPRINGFIELD, MO 65721

SPRINGFIELD GLASS COMPANY  
 2503 NORTH OAK GROVE AVE.  
 SPRINGFIELD, MO 65803  
 P: 417.883.6555

DRAWN BY:	DATE:
RA	01.07.20
CHECKED BY:	DATE:
TF	01.07.20

**3.10**



1ST SUBMISSION	01.07.20
1ST REVISION	01.23.20
2ND REVISION	03.11.20
NO	DESCRIPTION
	DRAWING SUBMISSION

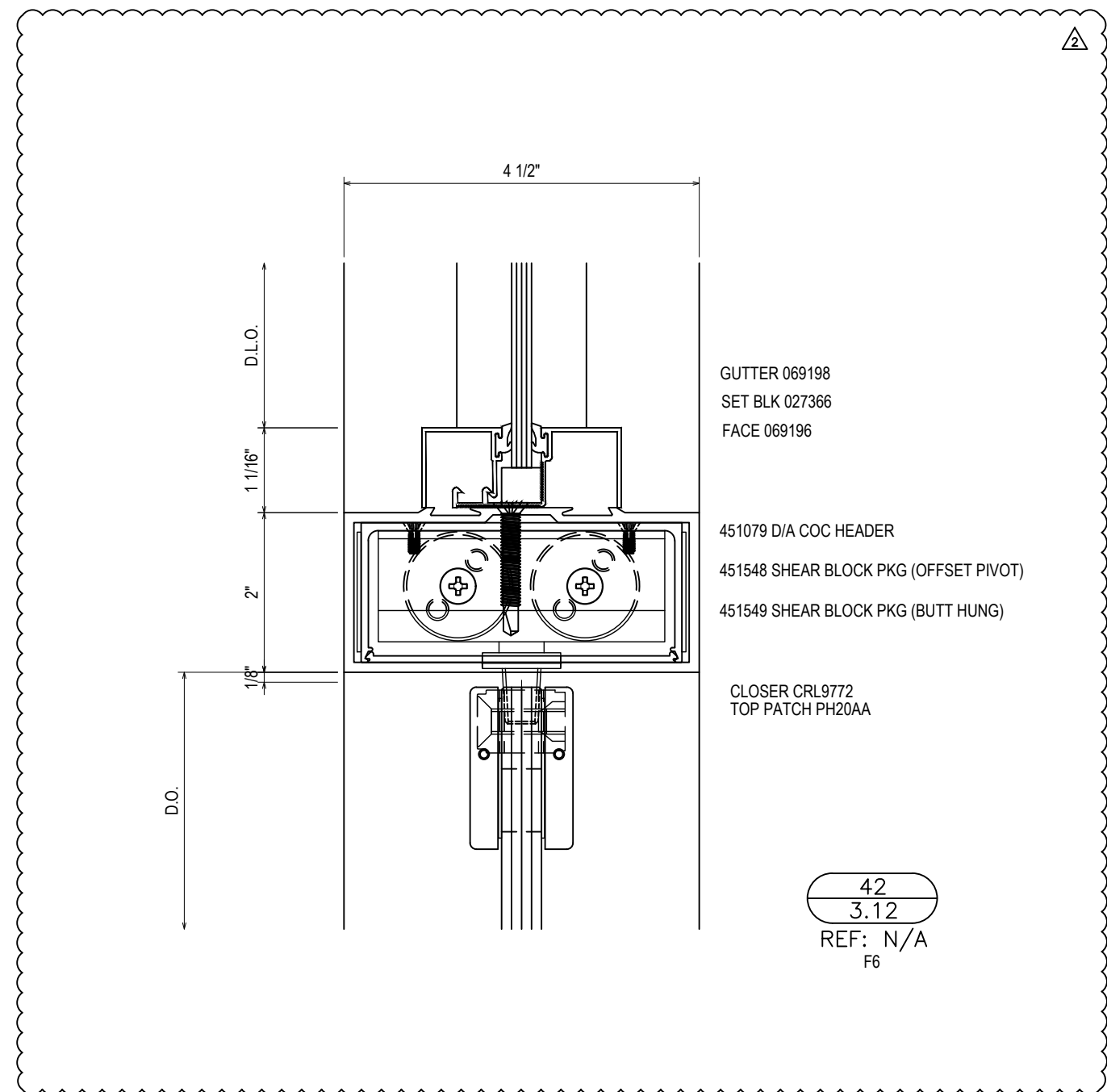
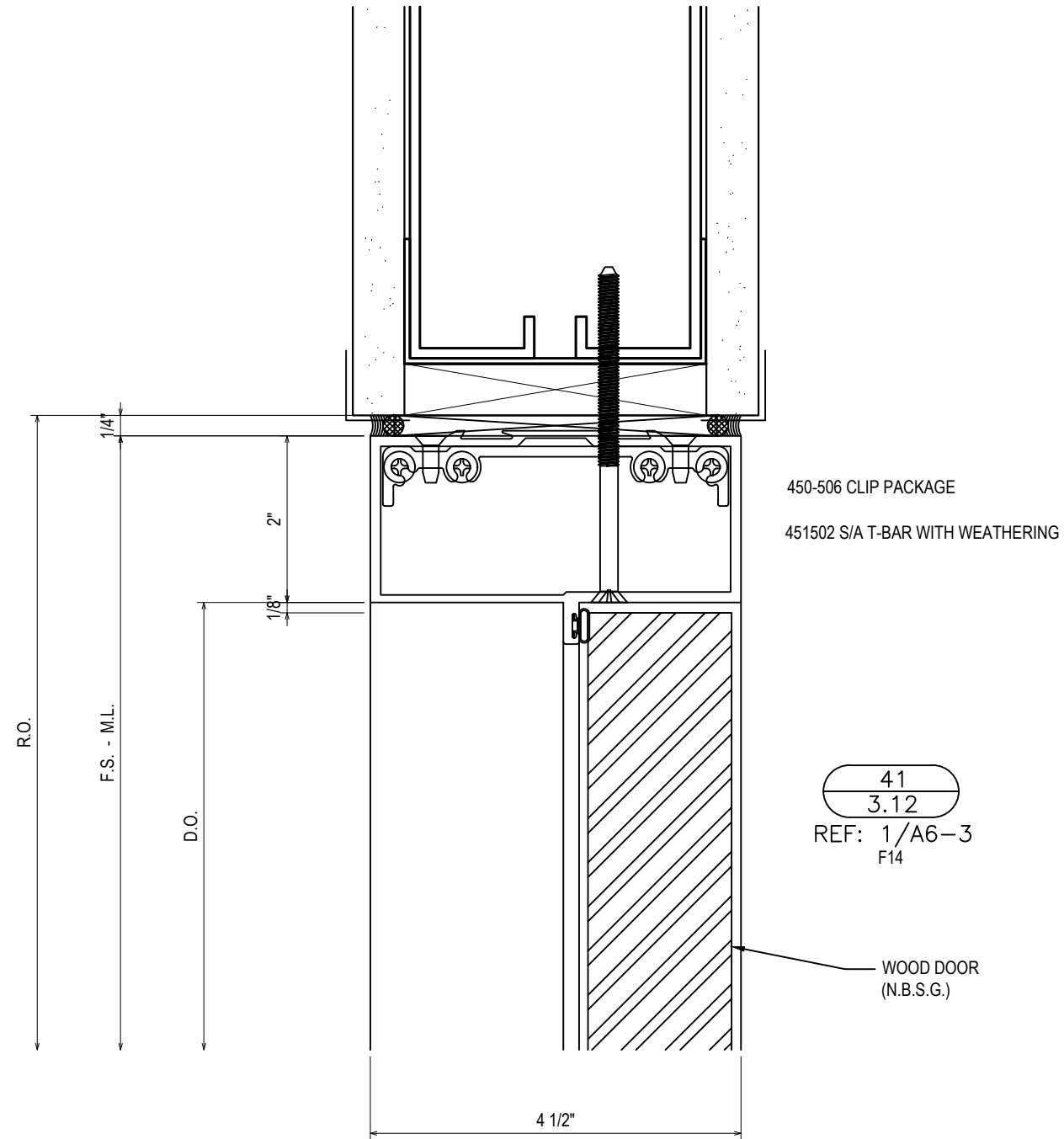
PROJECT: INNOVATIVE DENTAL  
CENTER FOR GENERAL &  
ADVANCED DENTISTRY

LOCATION: 3192 E. FARM ROAD 188  
SPRINGFIELD, MO 65721

SPRINGFIELD GLASS COMPANY  
2503 NORTH OAK GROVE AVE.  
SPRINGFIELD, MO 65803  
P: 417.883.6555

DRAWN BY:	DATE:
RA	01.07.20
CHECKED BY:	DATE:
TF	01.07.20





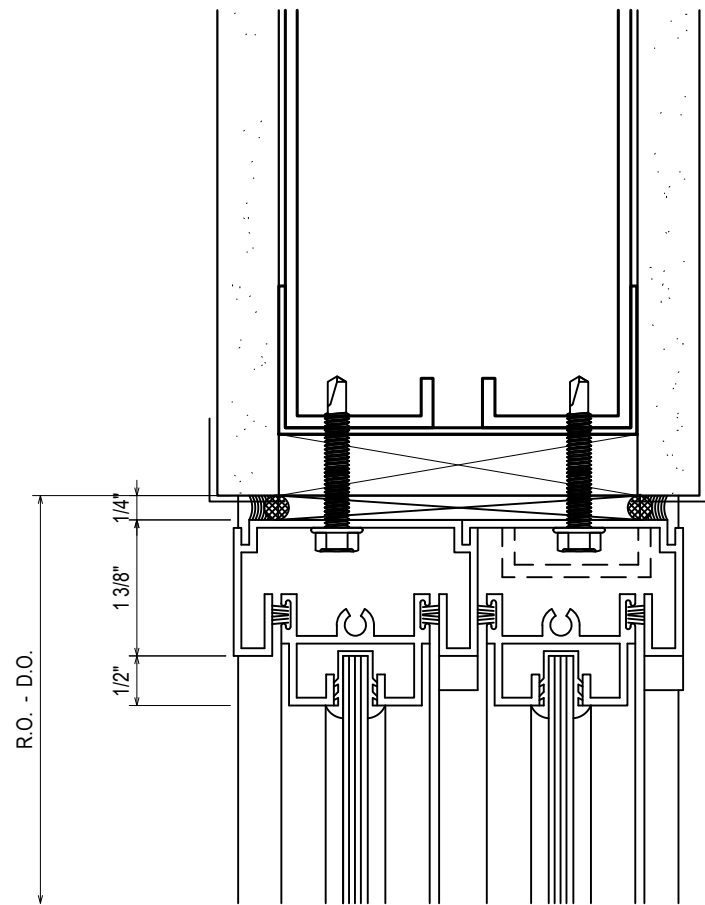
1ST SUBMISSION	01.07.20
1ST REVISION	01.23.20
2ND REVISION	03.11.20
NO	DESCRIPTION
DRAWING SUBMISSION	
DATE	

SPRINGFIELD GLASS COMPANY  
2503 NORTH OAK GROVE AVE.  
SPRINGFIELD, MO 65803  
P: 417.883.6555

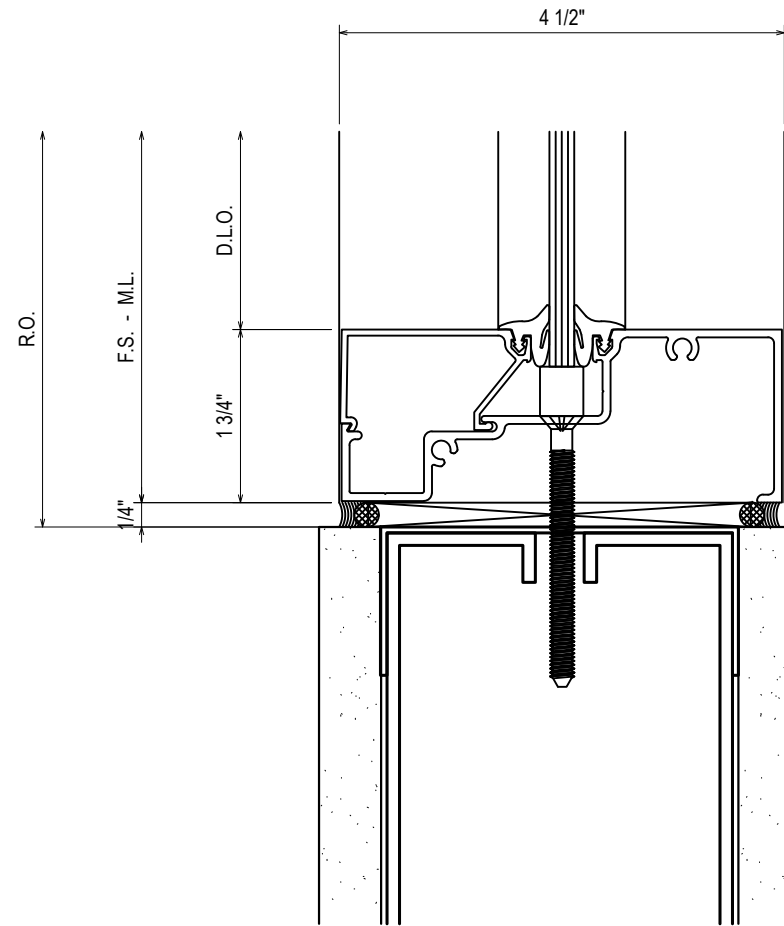
PROJECT: INNOVATIVE DENTAL  
CENTER FOR GENERAL &  
ADVANCED DENTISTRY

LOCATION: 3192 E. FARM ROAD 188  
SPRINGFIELD, MO 65721

DRAWN BY:	DATE:
RA	01.07.20
CHECKED BY:	DATE:
TF	01.07.20

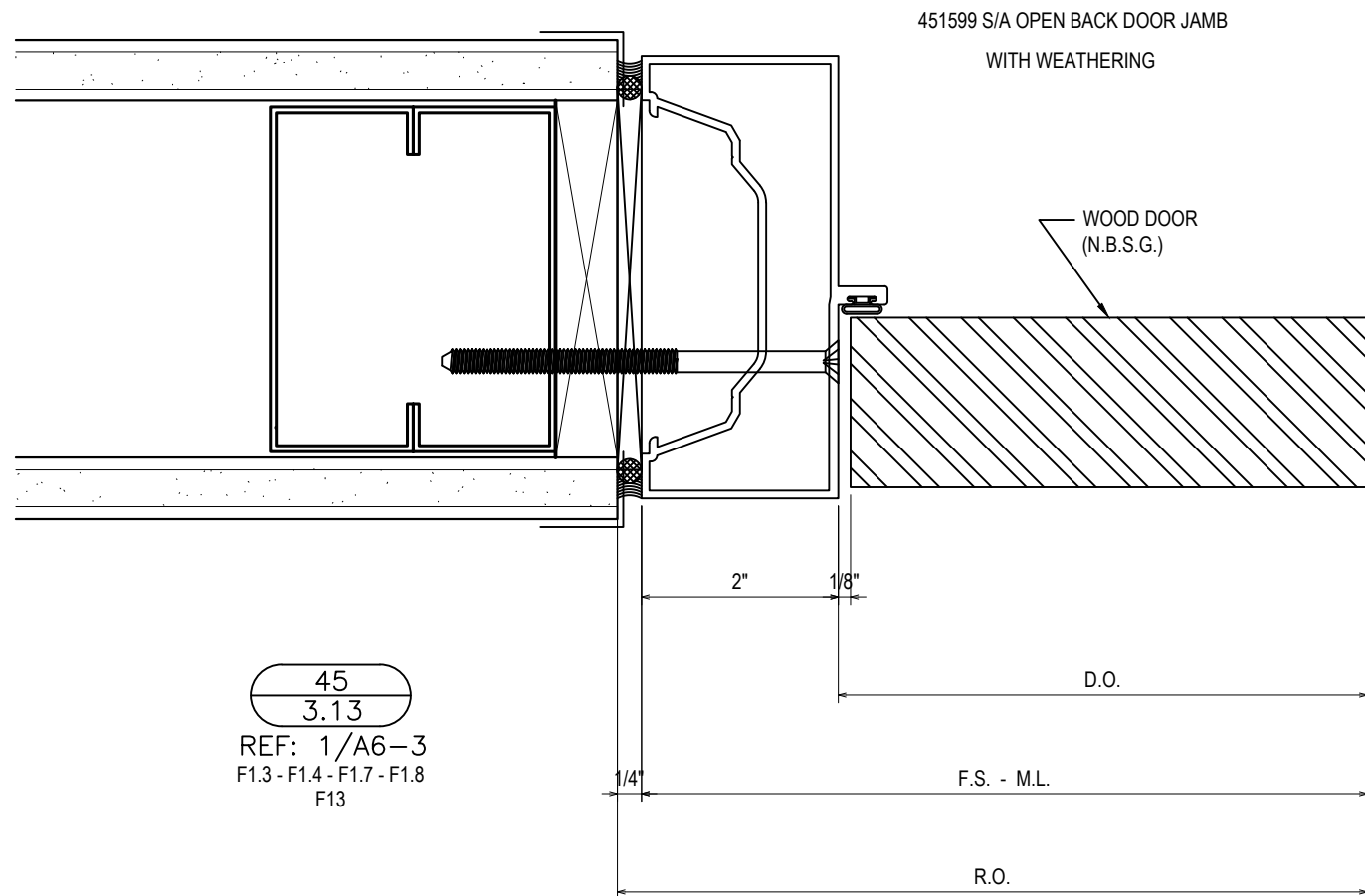


43  
3.13  
REF: 3/A6-3  
F19 - F19OPP

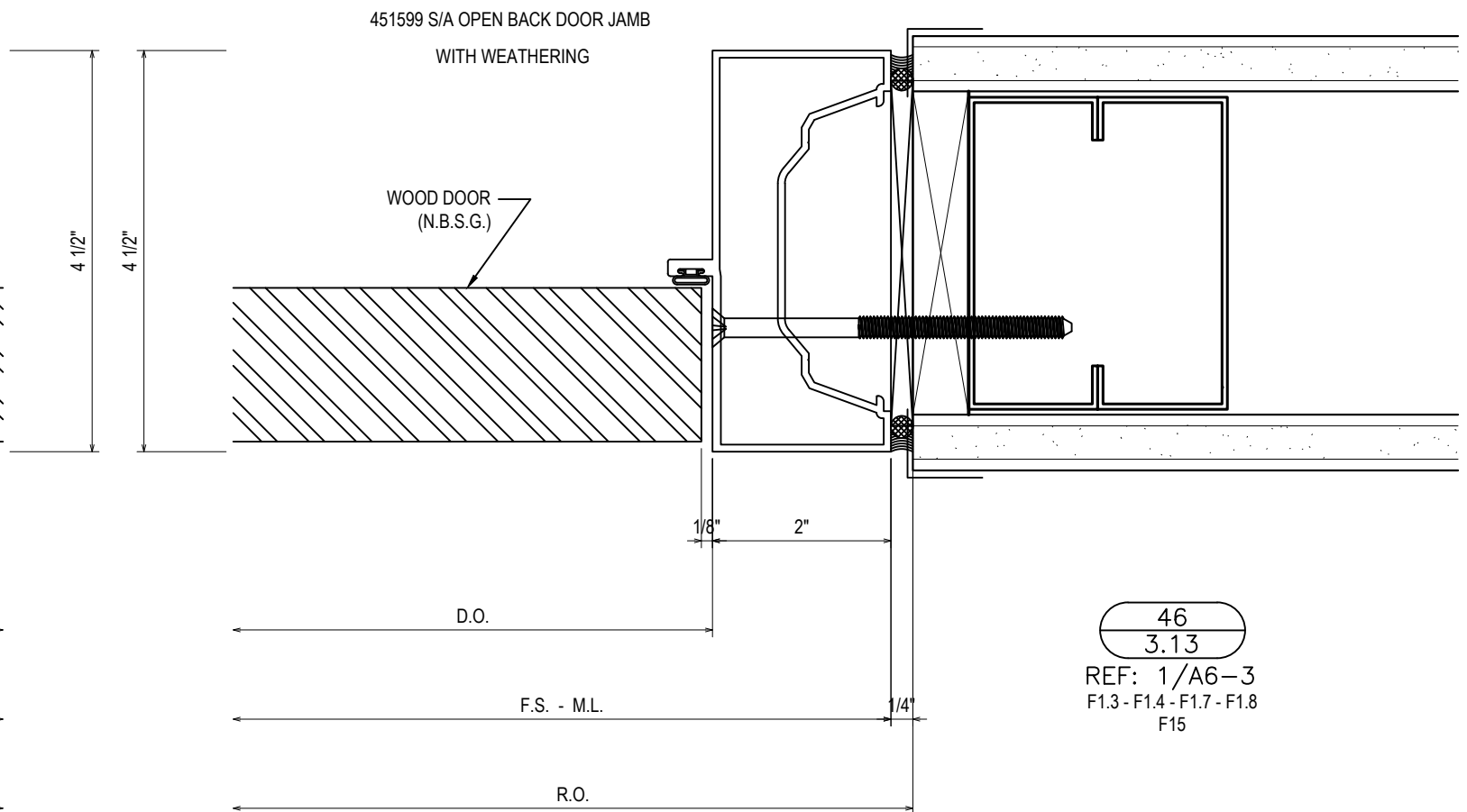


44  
3.13  
REF: N/A  
W33

450CG014 SILL  
450CG004 GLASS STOP



45  
3.13  
REF: 1/A6-3  
F1.3 - F1.4 - F1.7 - F1.8  
F13



46  
3.13  
REF: 1/A6-3  
F1.3 - F1.4 - F1.7 - F1.8  
F15

1ST SUBMISSION	01.07.20
1ST REVISION	01.23.20
2ND REVISION	03.11.20
NO	DATE
DRAWING SUBMISSION	

PROJECT: INNOVATIVE DENTAL  
CENTER FOR GENERAL &  
ADVANCED DENTISTRY  
LOCATION: 3192 E. FARM ROAD 188  
SPRINGFIELD, MO 65721

SPRINGFIELD GLASS COMPANY  
2503 NORTH OAK GROVE AVE.  
SPRINGFIELD, MO 65803  
P: 417.883.6555

DRAWN BY:	DATE:
RA	01.07.20
CHECKED BY:	DATE:
TF	01.07.20

1ST SUBMISSION	01.07.20
1ST REVISION	01.23.20
2ND REVISION	03.11.20
NO	DATE
DRAWING SUBMISSION	

SPRINGFIELD GLASS COMPANY  
 2503 NORTH OAK GROVE AVE.  
 SPRINGFIELD, MO 65803  
 P: 417.883.6555

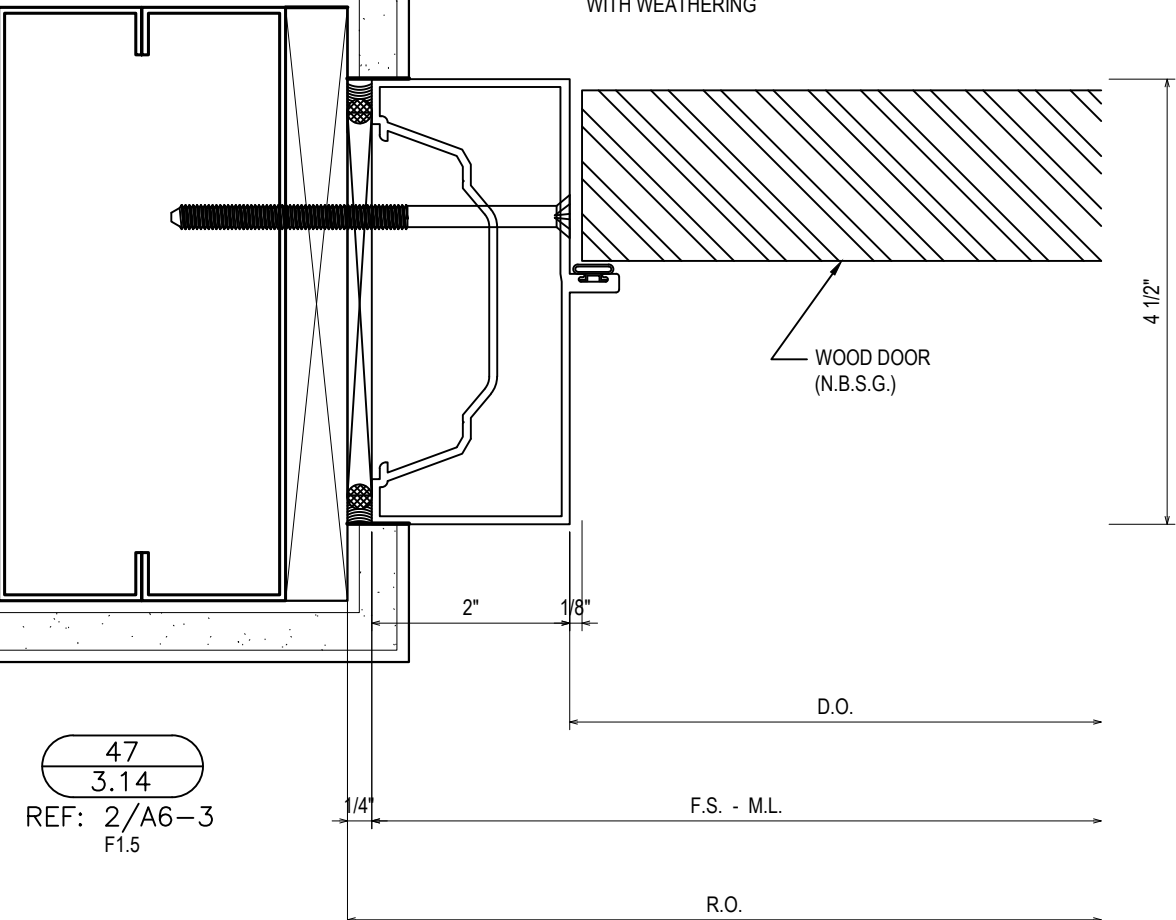
PROJECT: INNOVATIVE DENTAL  
 CENTER FOR GENERAL &  
 ADVANCED DENTISTRY

LOCATION: 3192 E. FARM ROAD 188  
 SPRINGFIELD, MO 65721

DRAWN BY:	DATE:
RA	01.07.20
CHECKED BY:	DATE:
TF	01.07.20

451599 S/A OPEN BACK DOOR JAMB

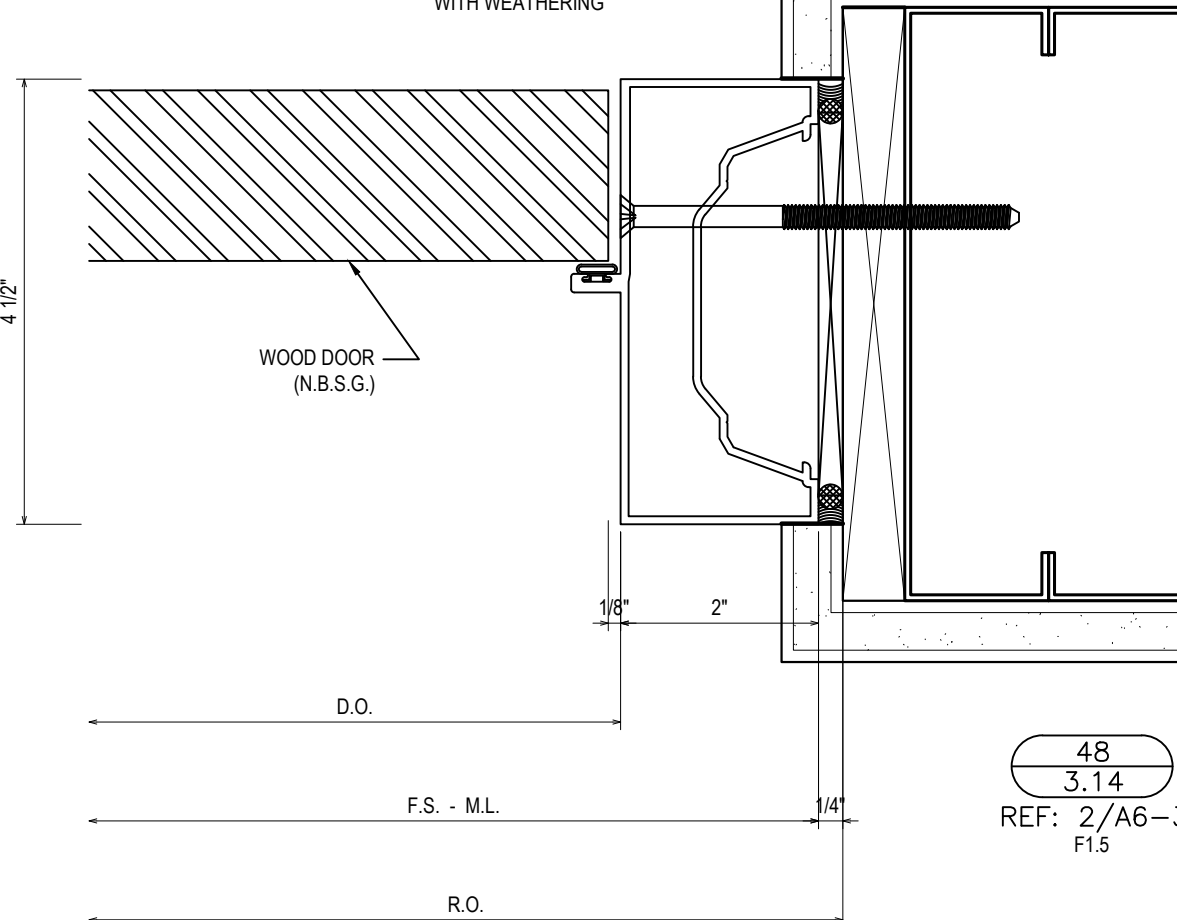
WITH WEATHERING



47  
 3.14  
 REF: 2/A6-3  
 F1.5

451599 S/A OPEN BACK DOOR JAMB

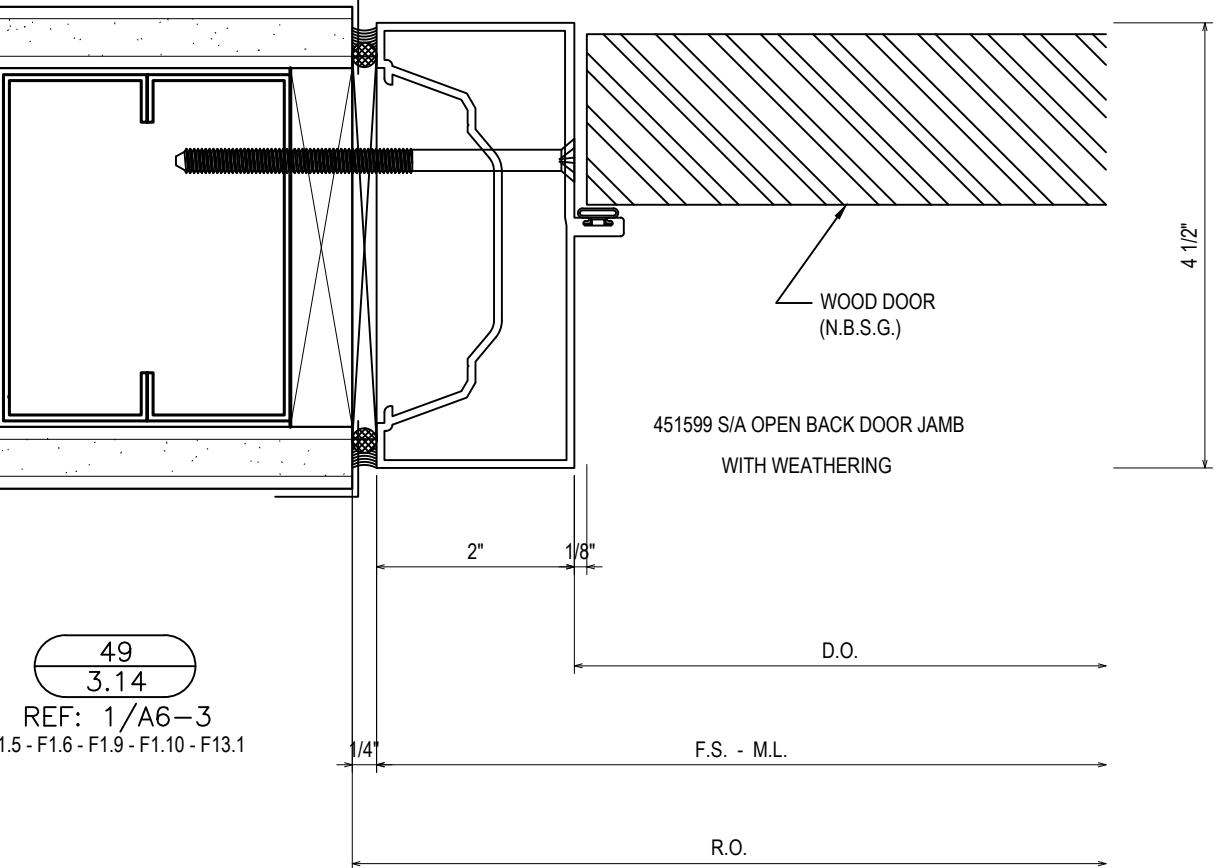
WITH WEATHERING



48  
 3.14  
 REF: 2/A6-3  
 F1.5

451599 S/A OPEN BACK DOOR JAMB

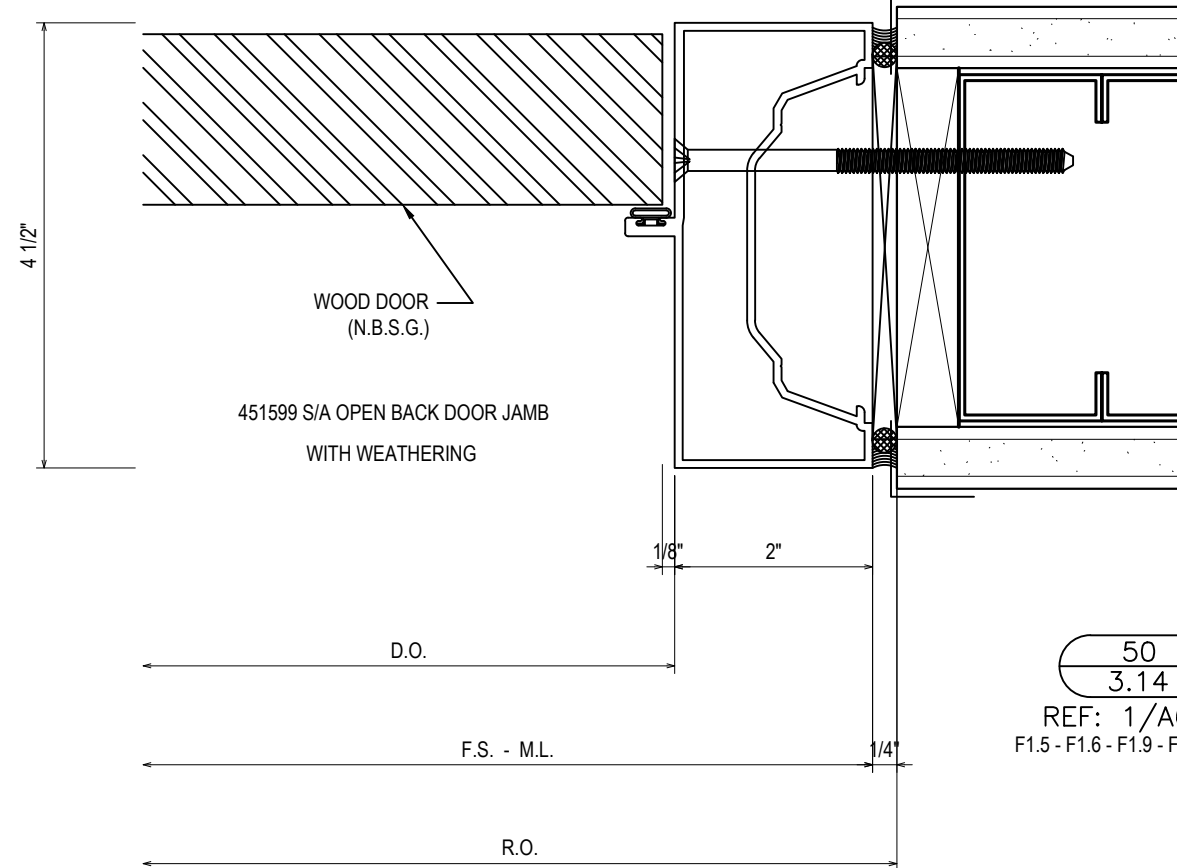
WITH WEATHERING



49  
 3.14  
 REF: 1/A6-3  
 F1.5 - F1.6 - F1.9 - F1.10 - F13.1

451599 S/A OPEN BACK DOOR JAMB

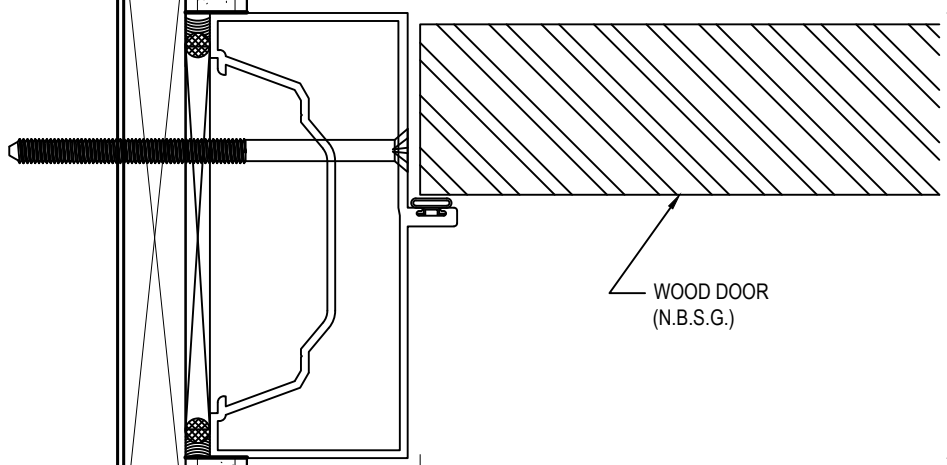
WITH WEATHERING



50  
 3.14  
 REF: 1/A6-3  
 F1.5 - F1.6 - F1.9 - F1.10 - F12

451599 S/A OPEN BACK DOOR JAMB

WITH WEATHERING



WOOD DOOR  
(N.B.S.G.)

4 1/2"

4 1/2"

2" 1/8"

D.O.

F.S. - M.L.

R.O.

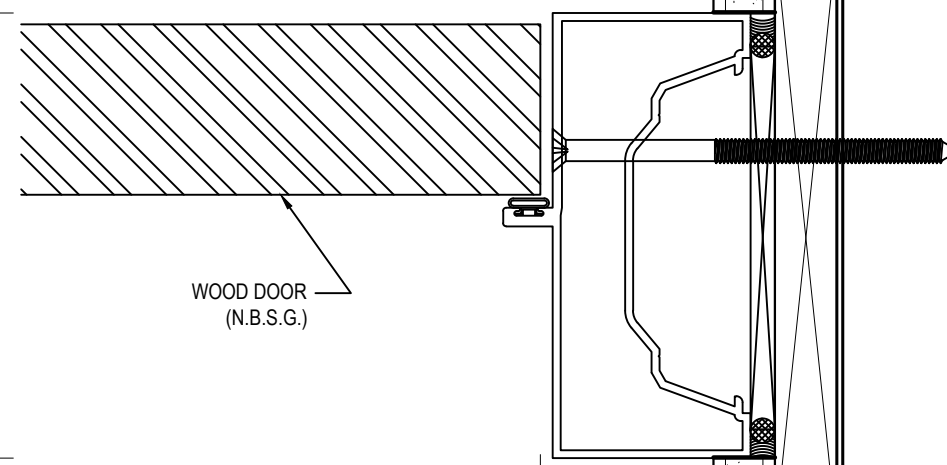
51  
3.15

REF: 2/A6-3  
F1.6

1/4"

451599 S/A OPEN BACK DOOR JAMB

WITH WEATHERING



WOOD DOOR  
(N.B.S.G.)

1/8" 2"

D.O.

F.S. - M.L.

R.O.

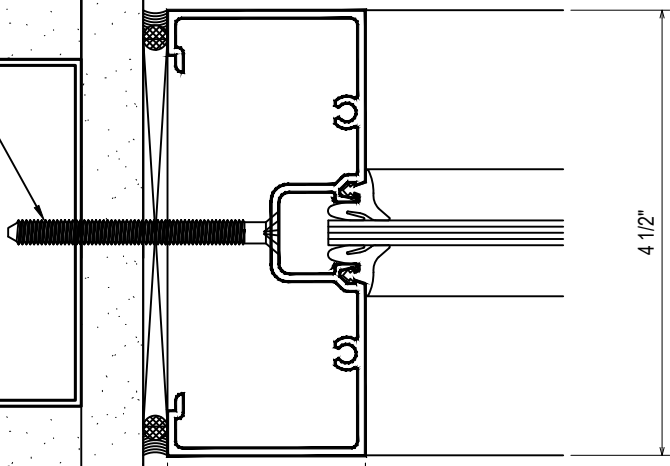
52  
3.15

REF: 2/A6-3  
F1.6

1/4"

ANCHOR AT  
FRAME "F4" & "F9"  
ONLY

966-367 MULLION/SILL/JAMB



4 1/2"

2" D.L.O.

F.S.

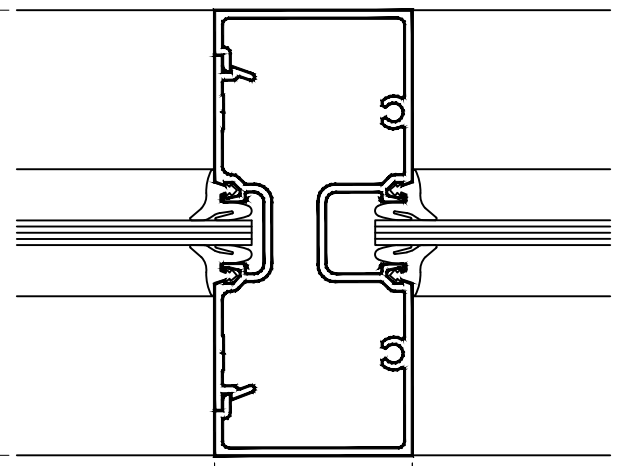
R.O.

53  
3.15

REF: 3/A6-3  
F4 - F9 - F12 - F14 - F15  
W33

1/4"

966-367 MULLION/SILL/JAMB  
450-CG-002 POCKET FILLER



4 1/2"

D.L.O.

2"

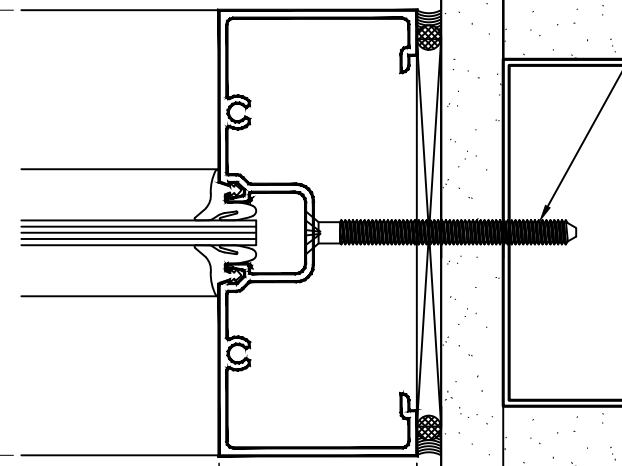
D.L.O.

54  
3.15

REF: N/A  
TYPICAL

ANCHOR AT  
FRAME "F4" & "F9"  
ONLY

966-367 MULLION/SILL/JAMB



4 1/2"

D.L.O.

2"

F.S.

R.O.

55  
3.15

REF: 3/A6-3  
F4 - F9 - F13 - F13.1 - F14  
W33

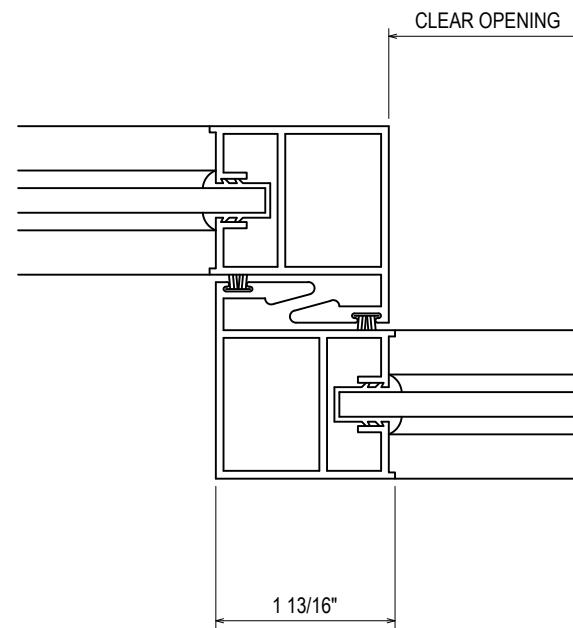
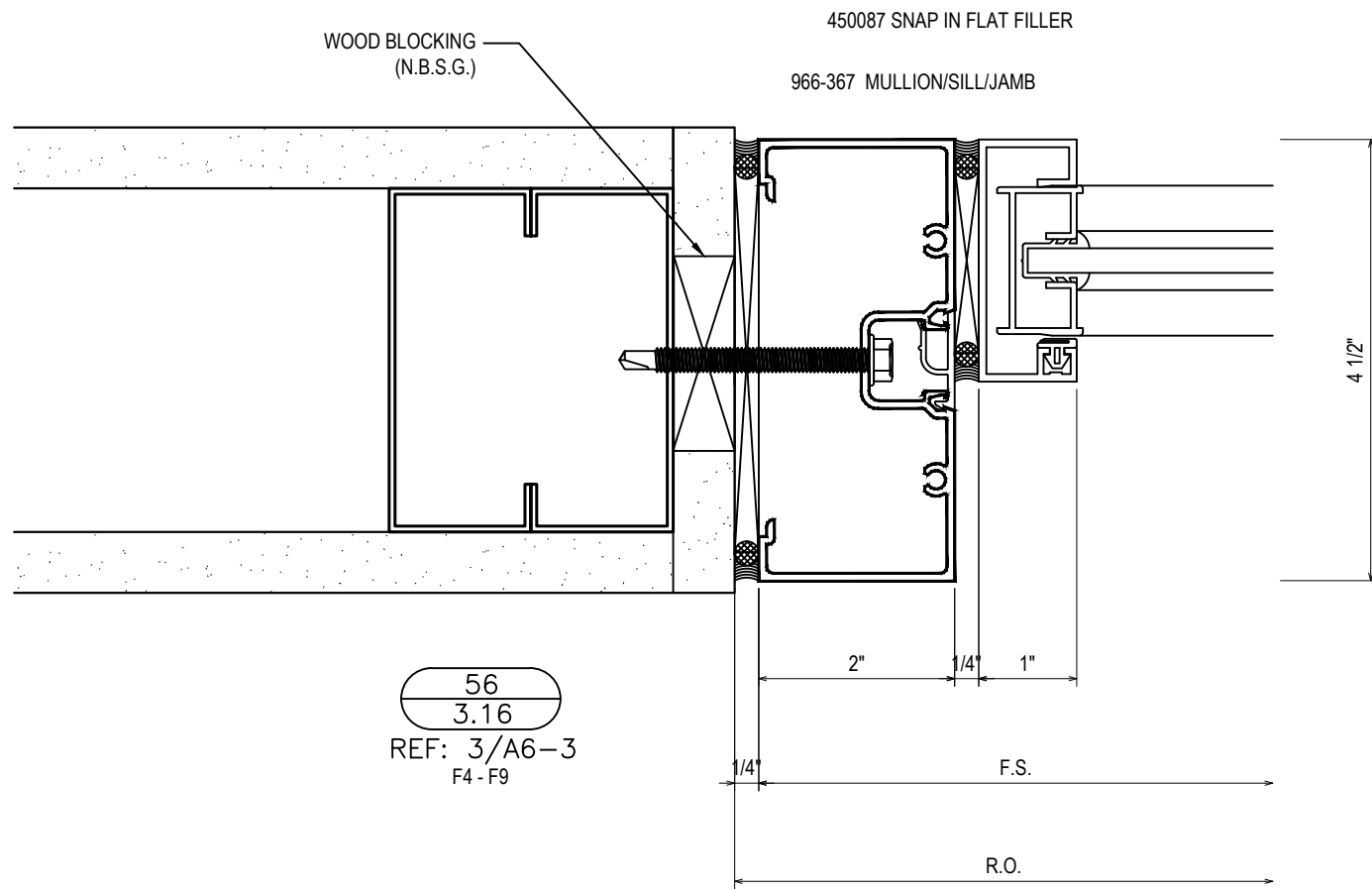
1/4"

1ST SUBMISSION	01.07.20
1ST REVISION	01.23.20
2ND REVISION	03.11.20
NO	DATE
DESCRIPTION	DRAWING SUBMISSION

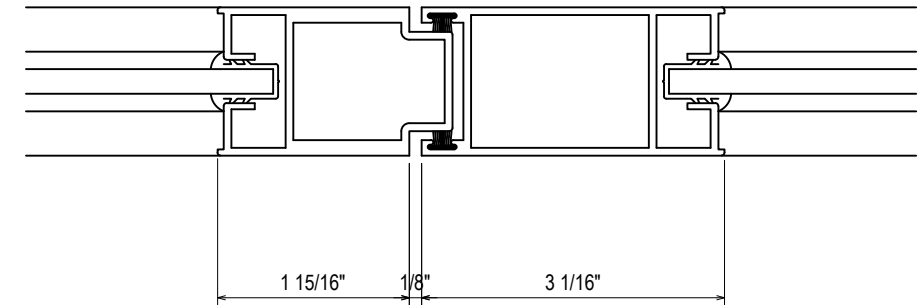
SPRINGFIELD GLASS COMPANY  
2503 NORTH OAK GROVE AVE.  
SPRINGFIELD, MO 65803  
P: 417.883.6555

PROJECT: INNOVATIVE DENTAL  
CENTER FOR GENERAL &  
ADVANCED DENTISTRY  
LOCATION: 3192 E. FARM ROAD 188  
SPRINGFIELD, MO 65721

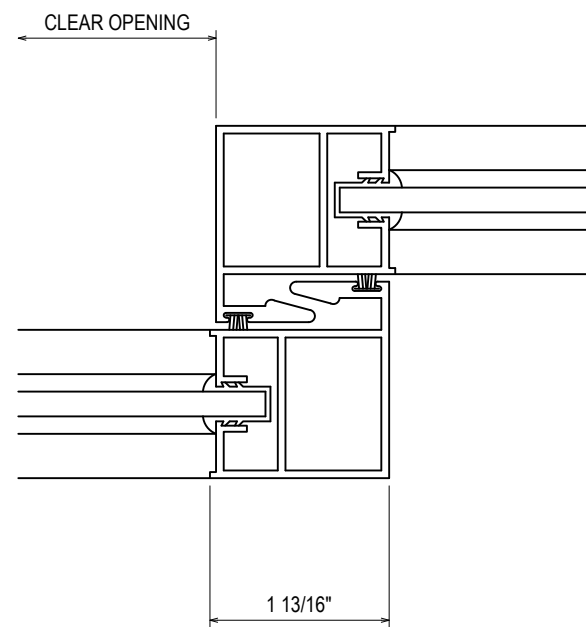
DRAWN BY:	DATE:
RA	01.07.20
CHECKED BY:	DATE:
TF	01.07.20



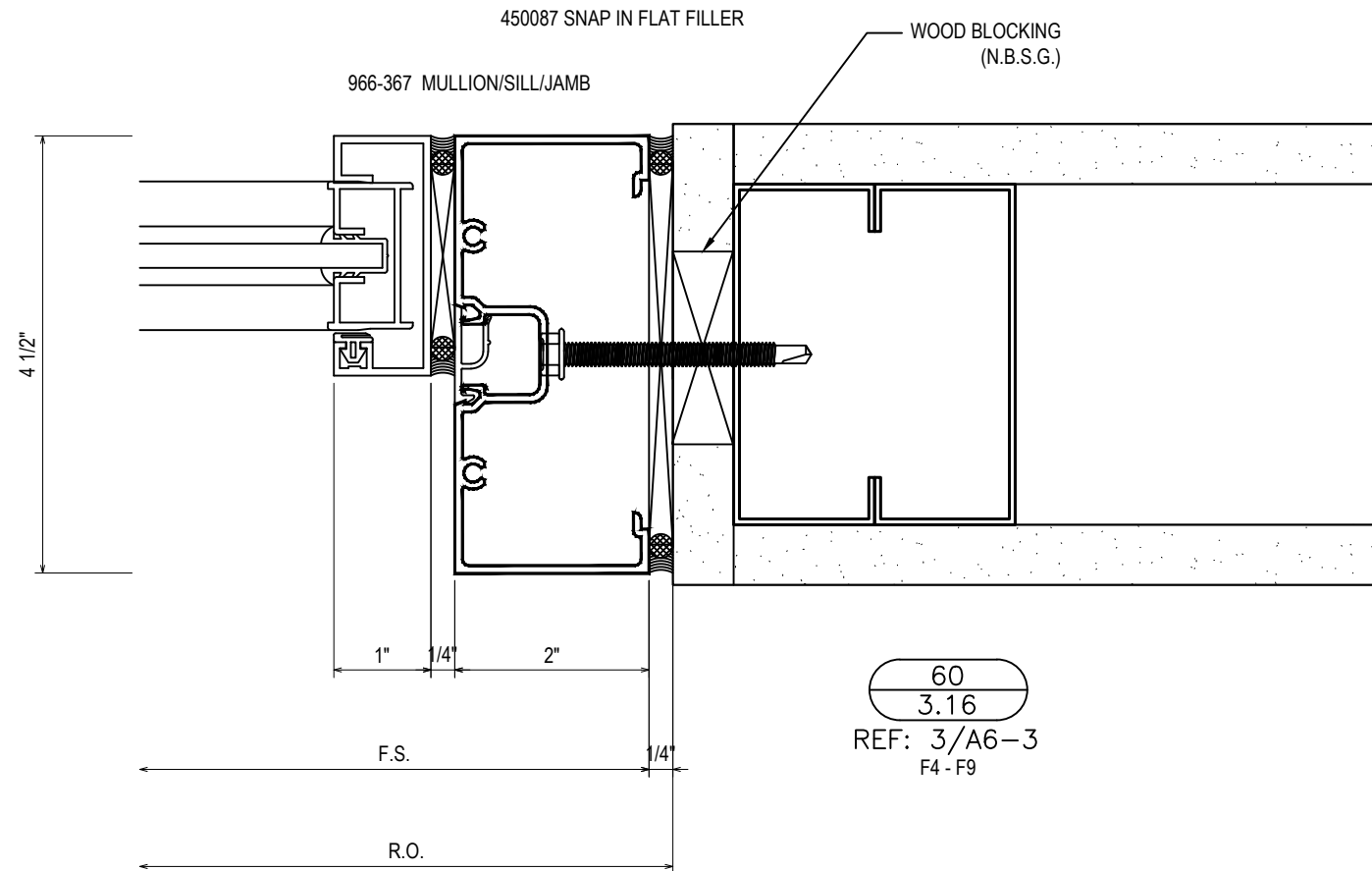
57  
3.16  
REF: N/A  
F4 - F9 - F19



58  
3.16  
REF: N/A  
F4 - F9



59  
3.16  
REF: N/A  
F4 - F9 - F19OPP



60  
3.16  
REF: 3/A6-3  
F4 - F9

DETAIL NOT USED

61  
3.16  
REF: N/A

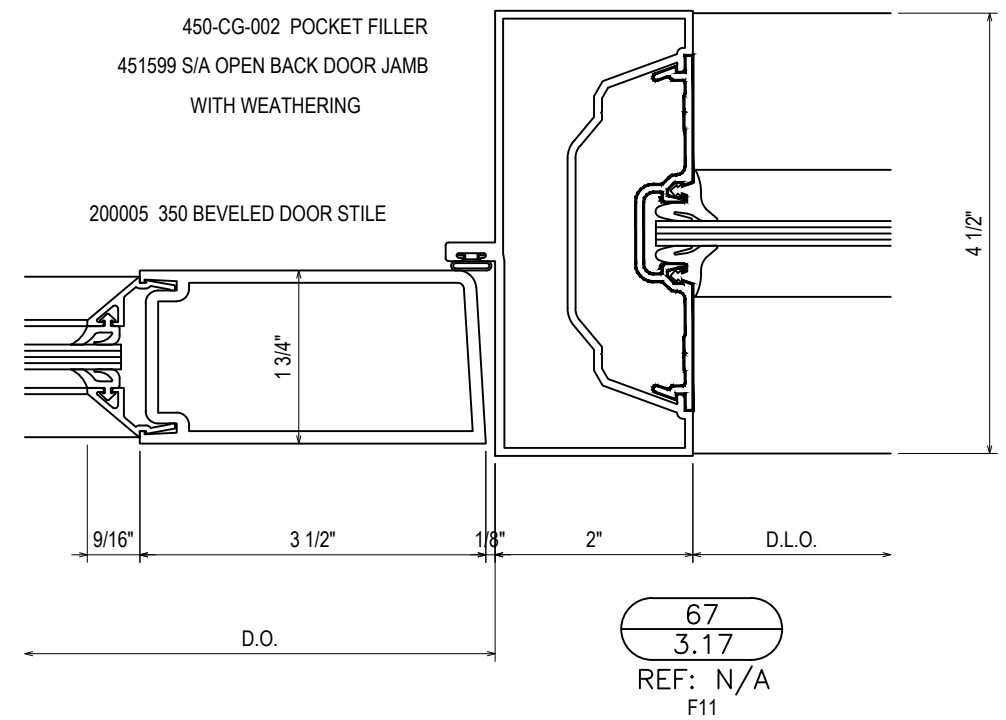
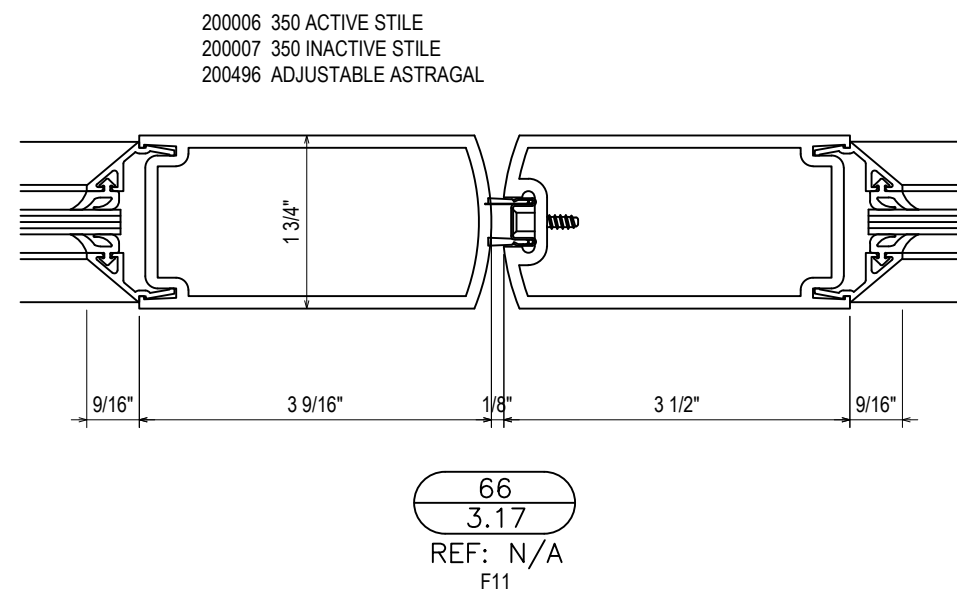
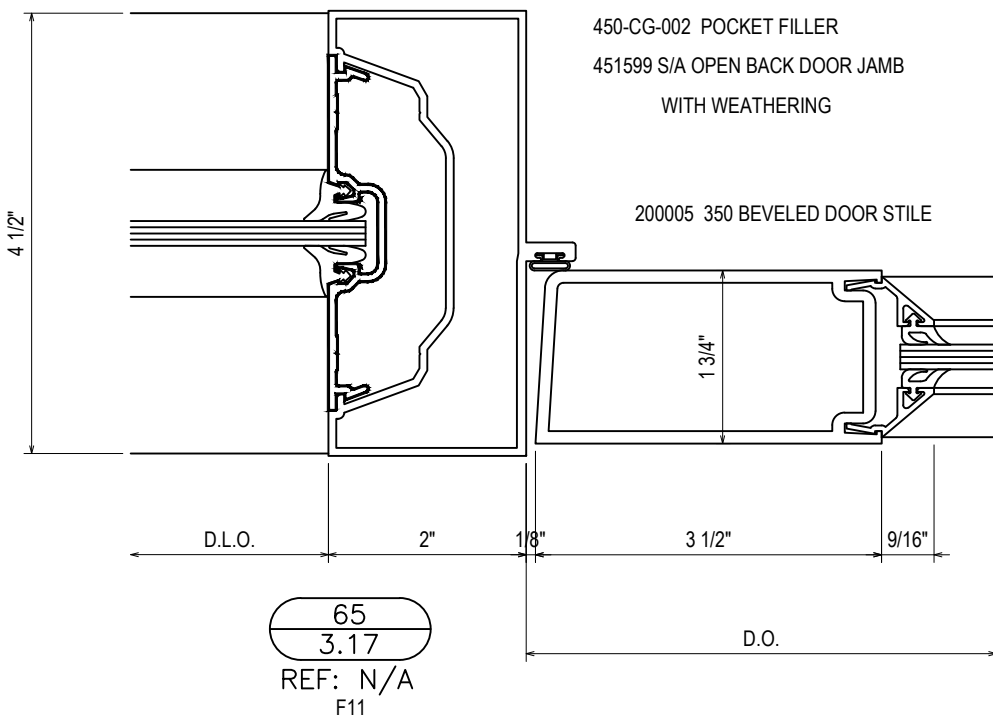
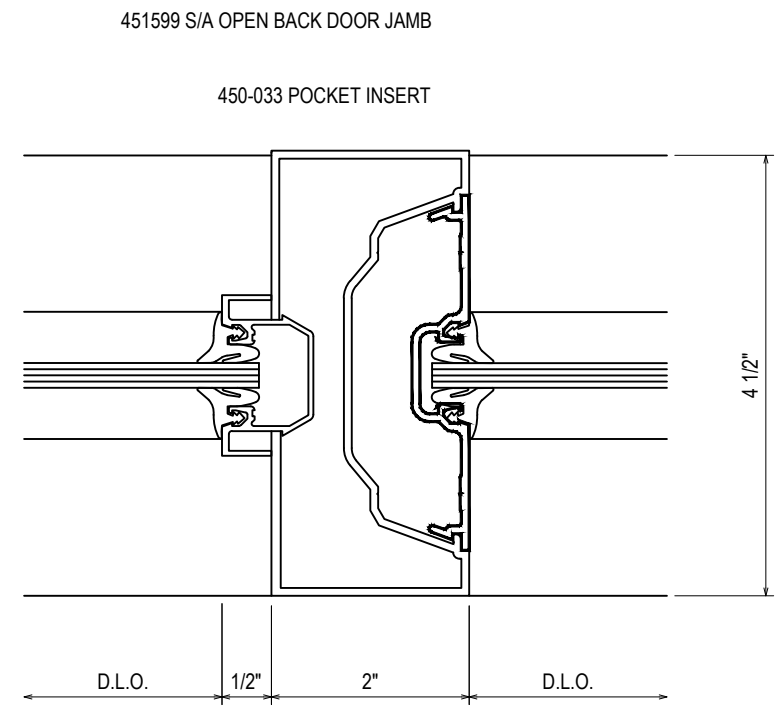
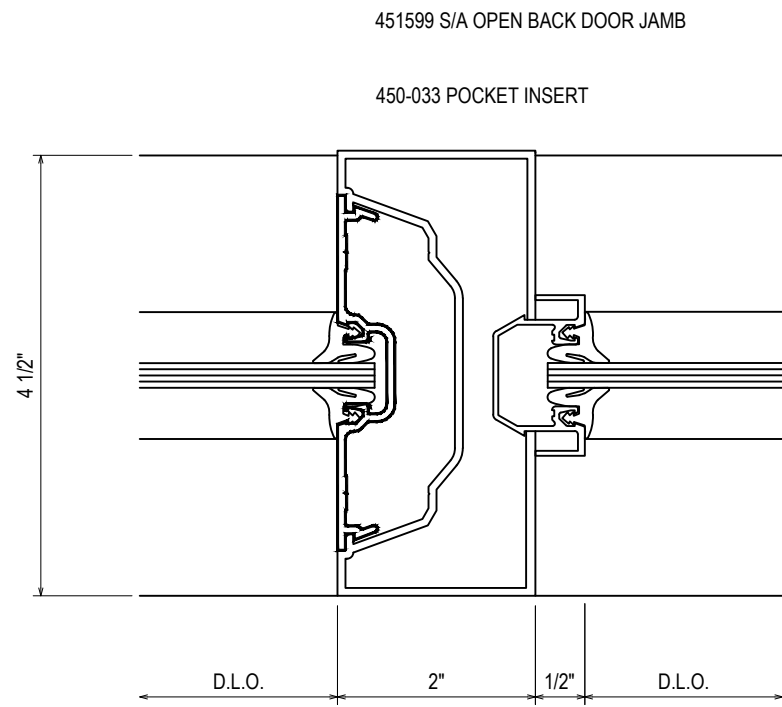
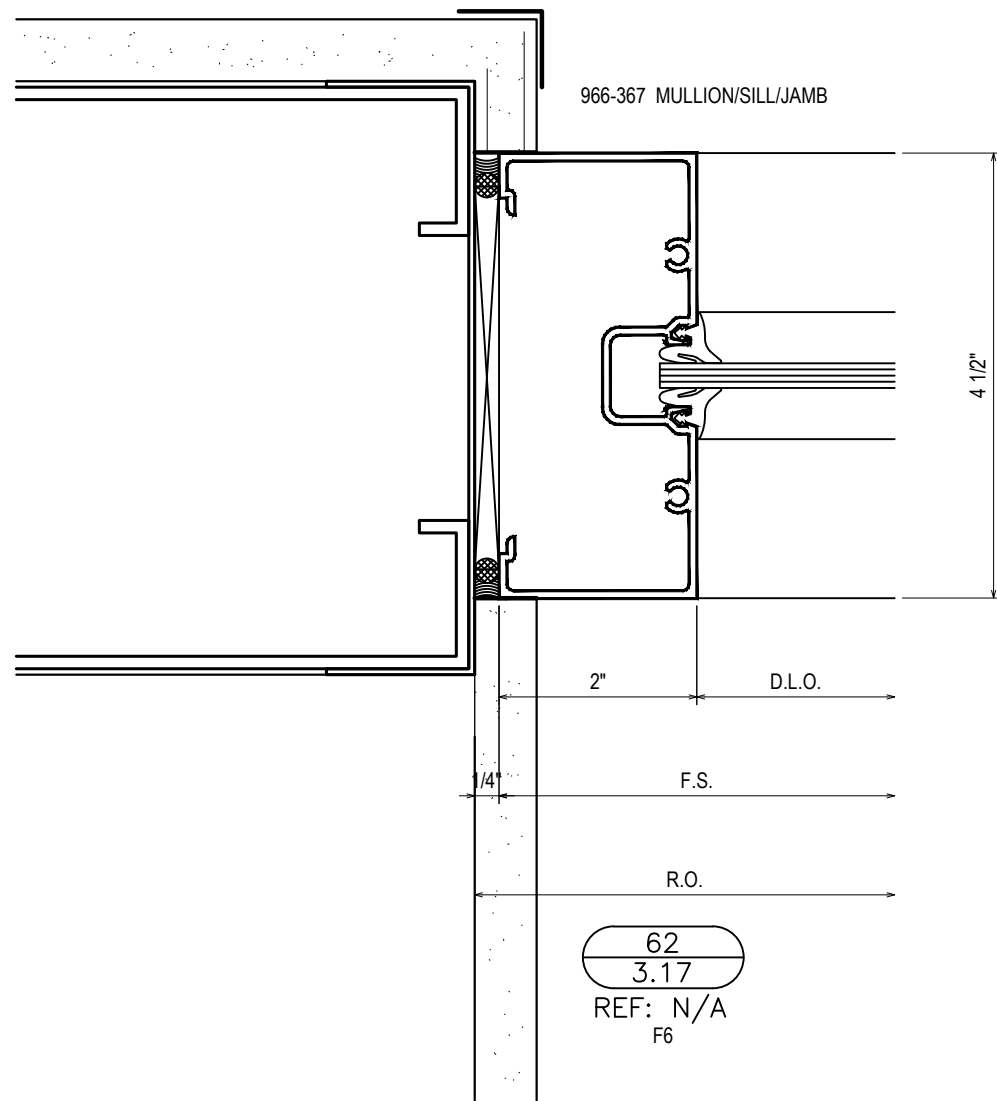
1ST SUBMISSION	01.07.20
1ST REVISION	01.23.20
2ND REVISION	03.11.20
NO	DATE
DRAWING SUBMISSION	

SPRINGFIELD GLASS COMPANY  
2503 NORTH OAK GROVE AVE.  
SPRINGFIELD, MO 65803  
P: 417.883.6555

PROJECT: INNOVATIVE DENTAL  
CENTER FOR GENERAL &  
ADVANCED DENTISTRY

LOCATION: 3192 E. FARM ROAD 188  
SPRINGFIELD, MO 65721

DRAWN BY:	RA	DATE:	01.07.20
CHECKED BY:	TF	DATE:	01.07.20



1ST SUBMISSION	01.07.20
1ST REVISION	01.23.20
2ND REVISION	03.11.20
NO	DATE
DRAWING SUBMISSION	

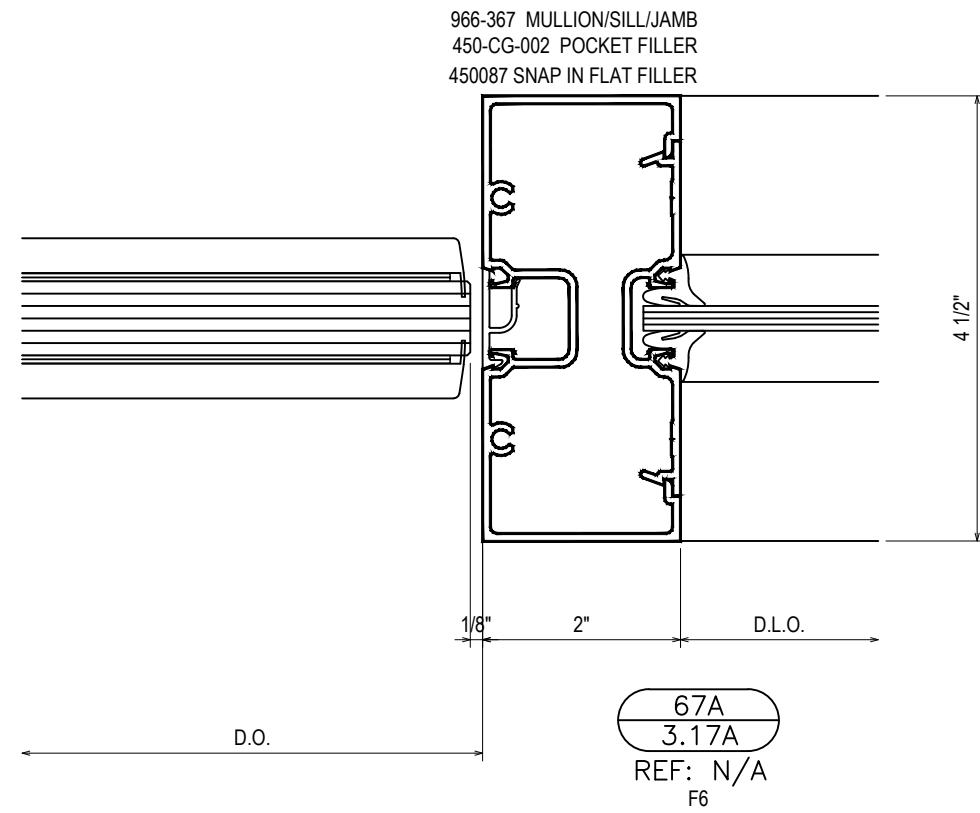
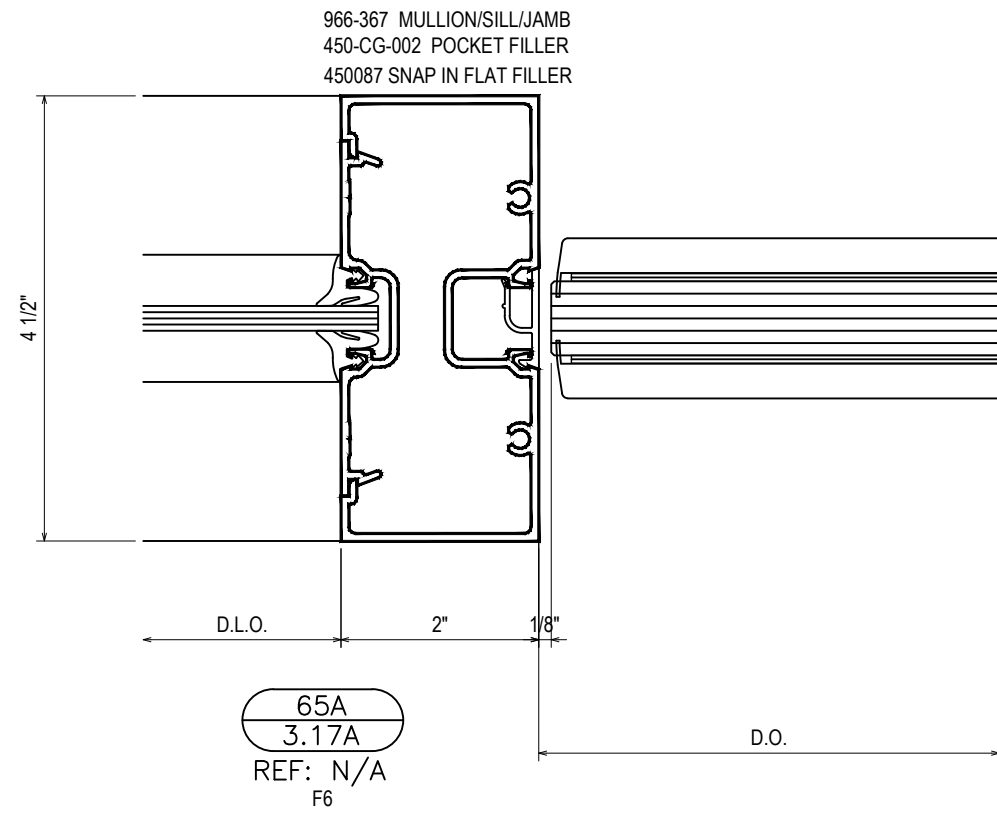
PROJECT: INNOVATIVE DENTAL CENTER FOR GENERAL & ADVANCED DENTISTRY

LOCATION: 3192 E. FARM ROAD 188 SPRINGFIELD, MO 65721

SPRINGFIELD GLASS COMPANY  
2503 NORTH OAK GROVE AVE.  
SPRINGFIELD, MO 65803  
P: 417.883.6555

DRAWN BY:	DATE:
RA	01.07.20
CHECKED BY:	DATE:
TF	01.07.20

PROJECT: INNOVATIVE DENTAL CENTER FOR GENERAL & ADVANCED DENTISTRY	
LOCATION: 3192 E. FARM ROAD 188 SPRINGFIELD, MO 65721	
DRAWN BY:	DATE:
RA	01.07.20
CHECKED BY:	DATE:
TF	01.07.20



2

1ST SUBMISSION	01.07.20
1ST REVISION	01.23.20
2ND REVISION	03.11.20
NO	DATE
DESCRIPTION	
DRAWING SUBMISSION	

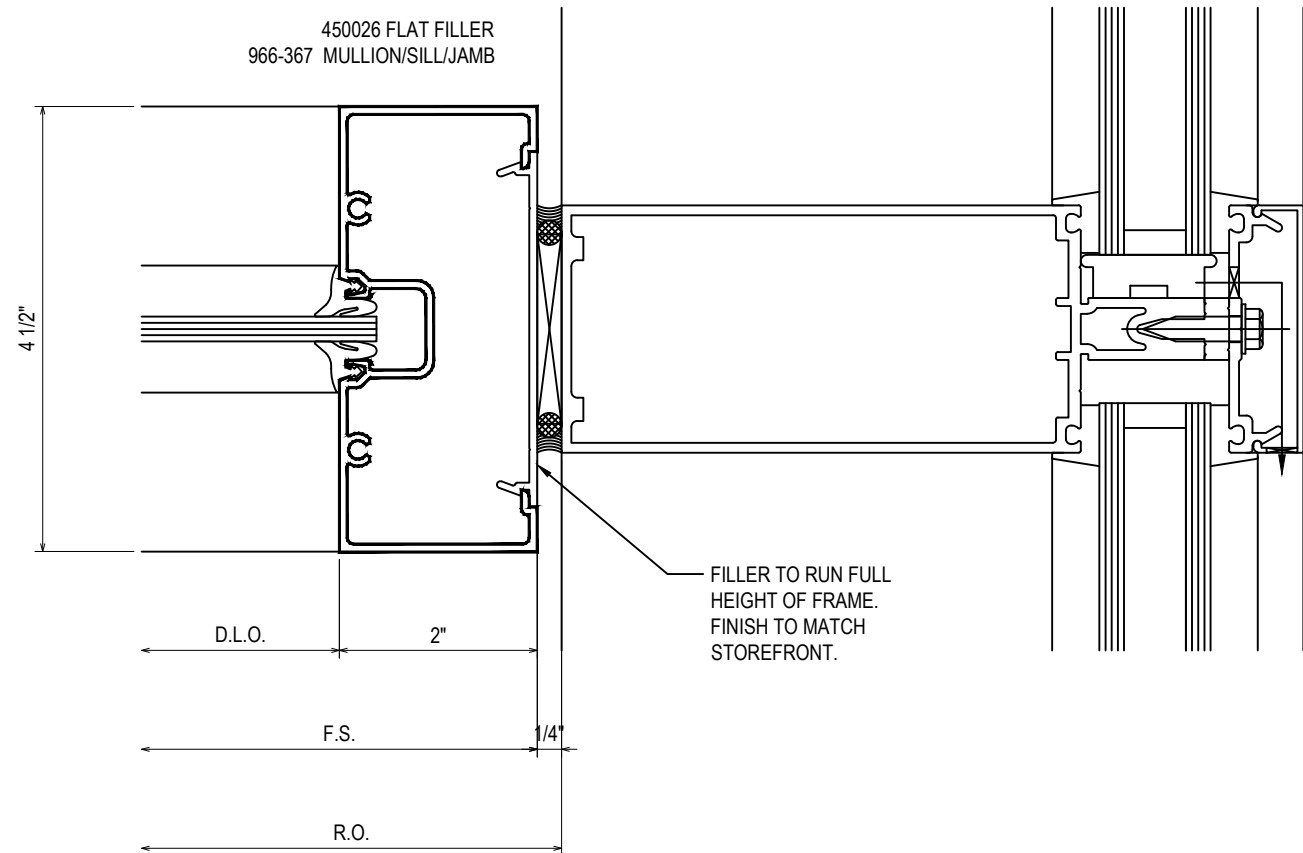
SPRINGFIELD GLASS COMPANY  
2503 NORTH OAK GROVE AVE.  
SPRINGFIELD, MO 65803  
P: 417.883.6555

PROJECT: INNOVATIVE DENTAL  
CENTER FOR GENERAL &  
ADVANCED DENTISTRY

LOCATION: 3192 E. FARM ROAD 188  
SPRINGFIELD, MO 65721

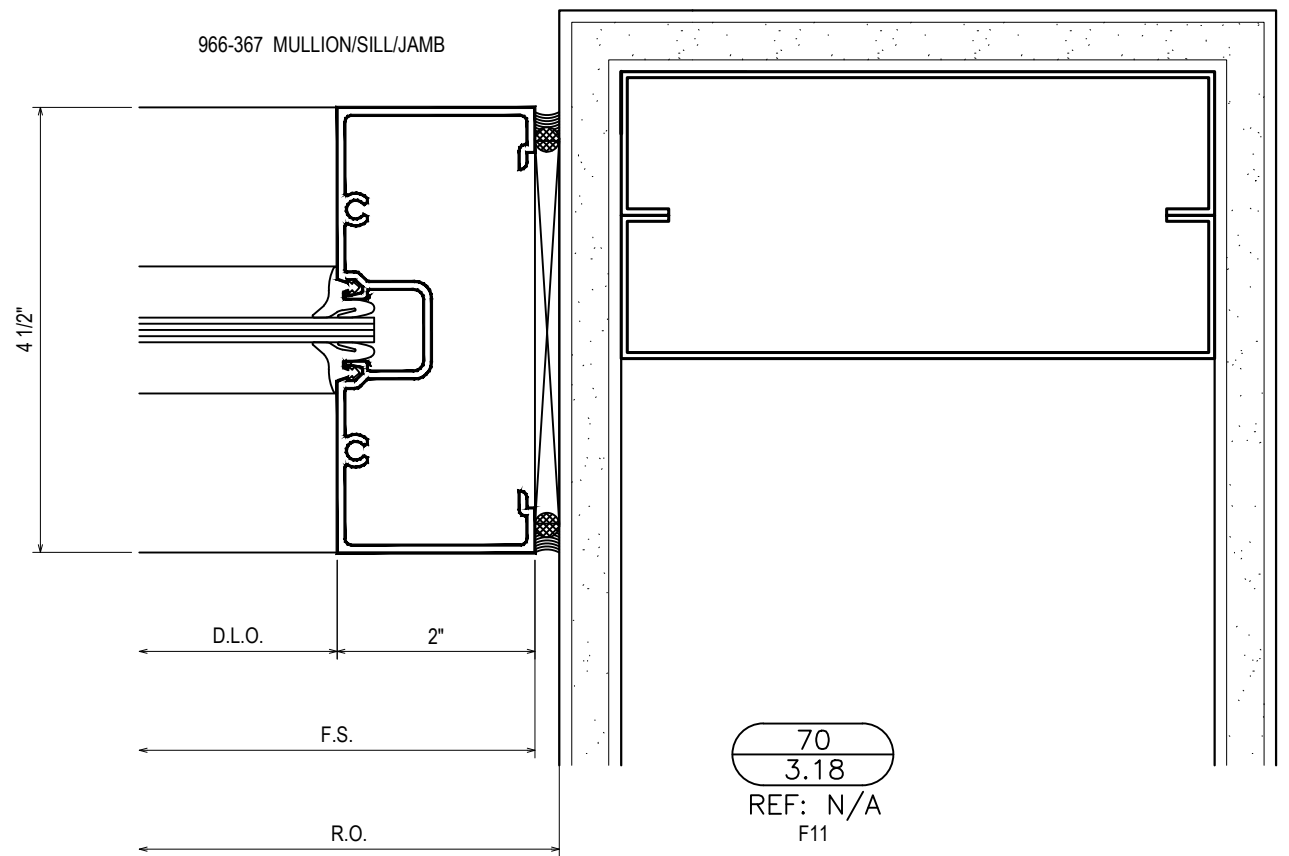
DRAWN BY:	DATE:
RA	01.07.20
CHECKED BY:	DATE:
TF	01.07.20

3.17A

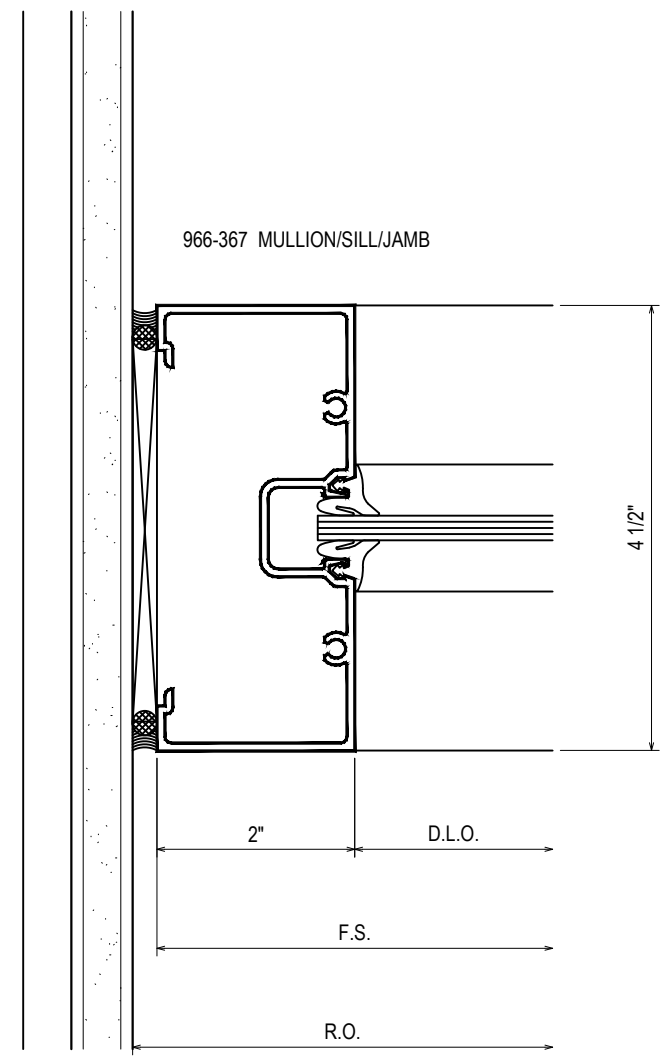
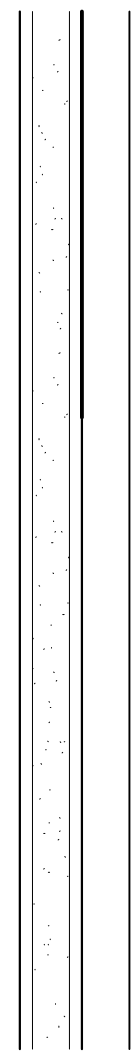


68  
3.18  
REF: N/A  
F6

FILLER TO RUN FULL HEIGHT OF FRAME. FINISH TO MATCH STOREFRONT.



70  
3.18  
REF: N/A  
F11



69  
3.18  
REF: N/A  
F11

DETAIL NOT USED  
71  
3.18  
REF: N/A

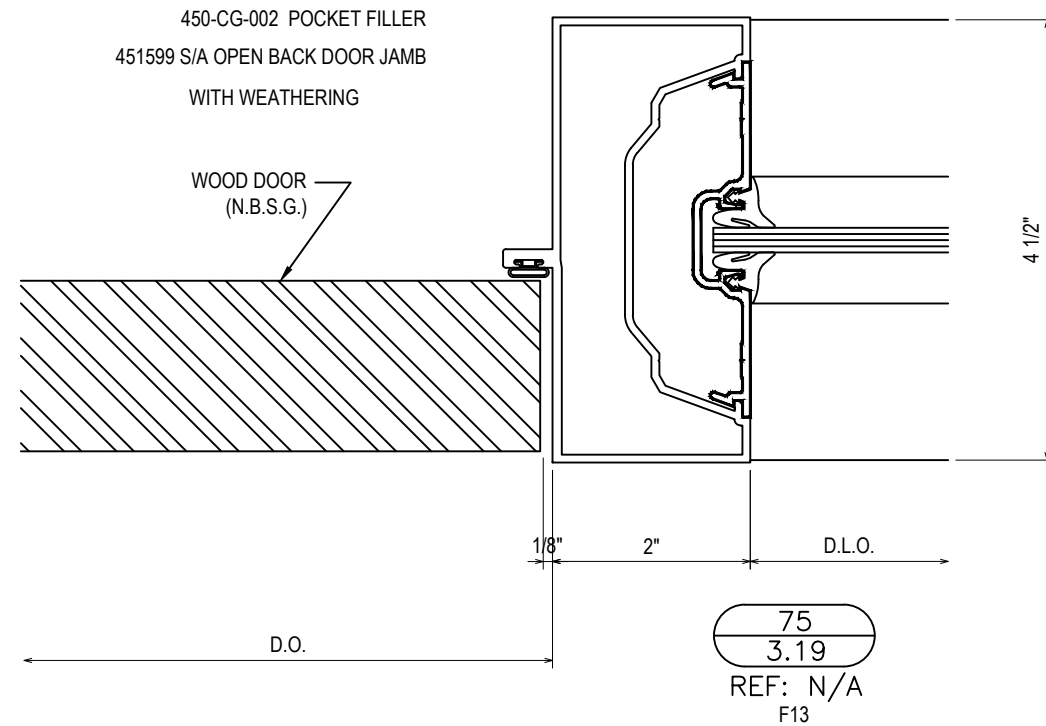
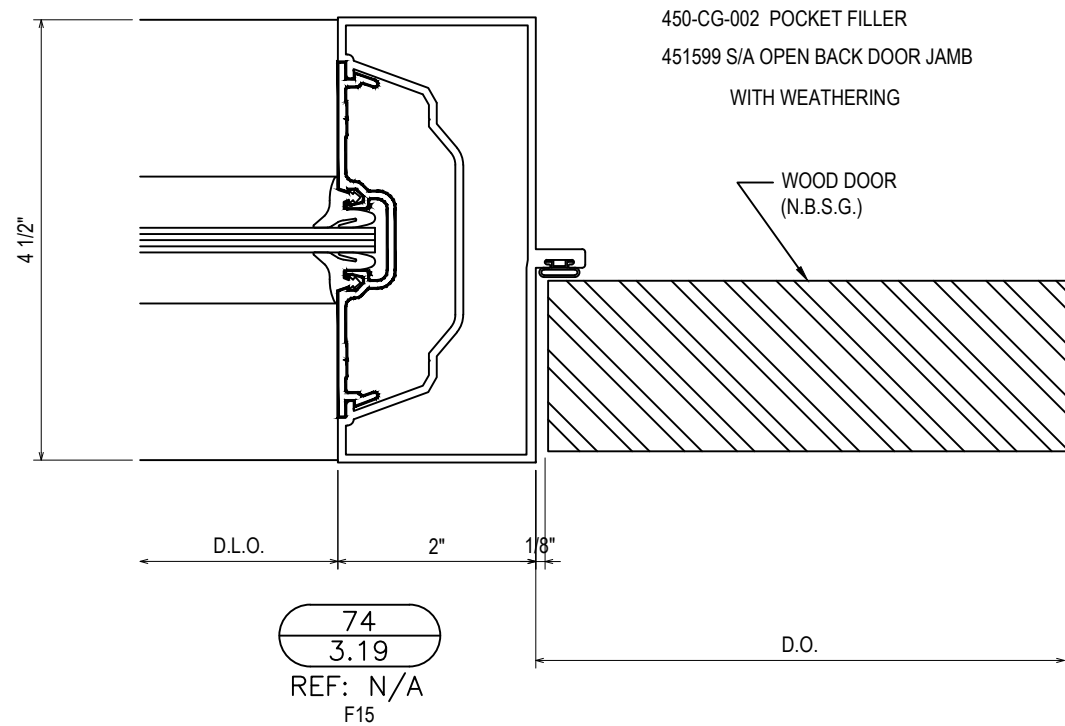
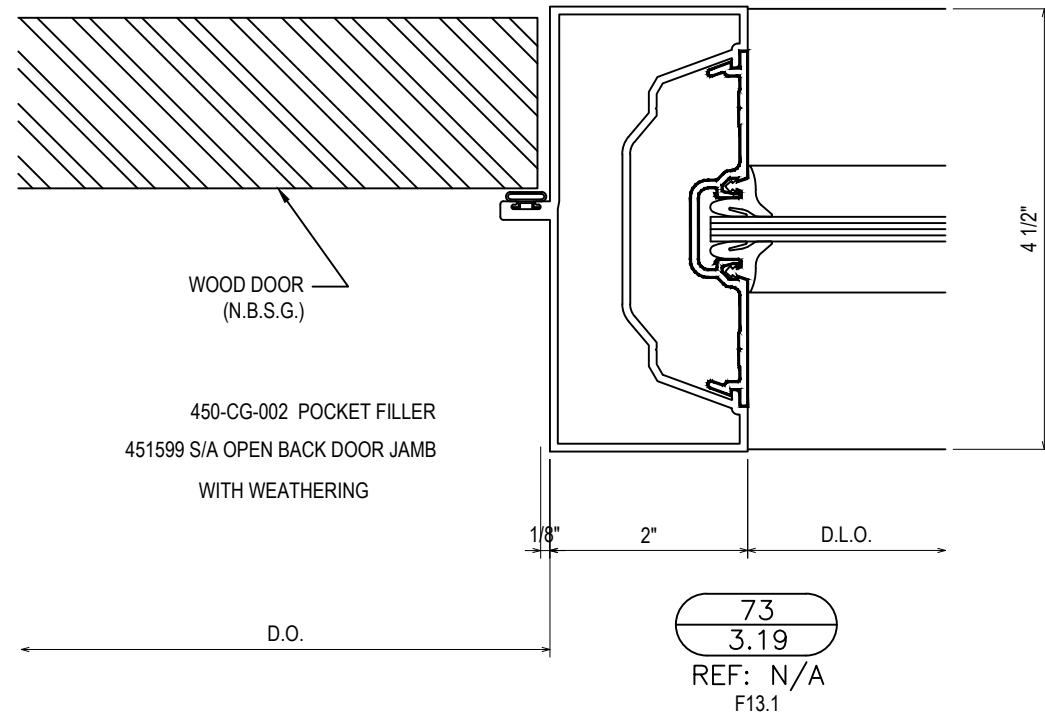
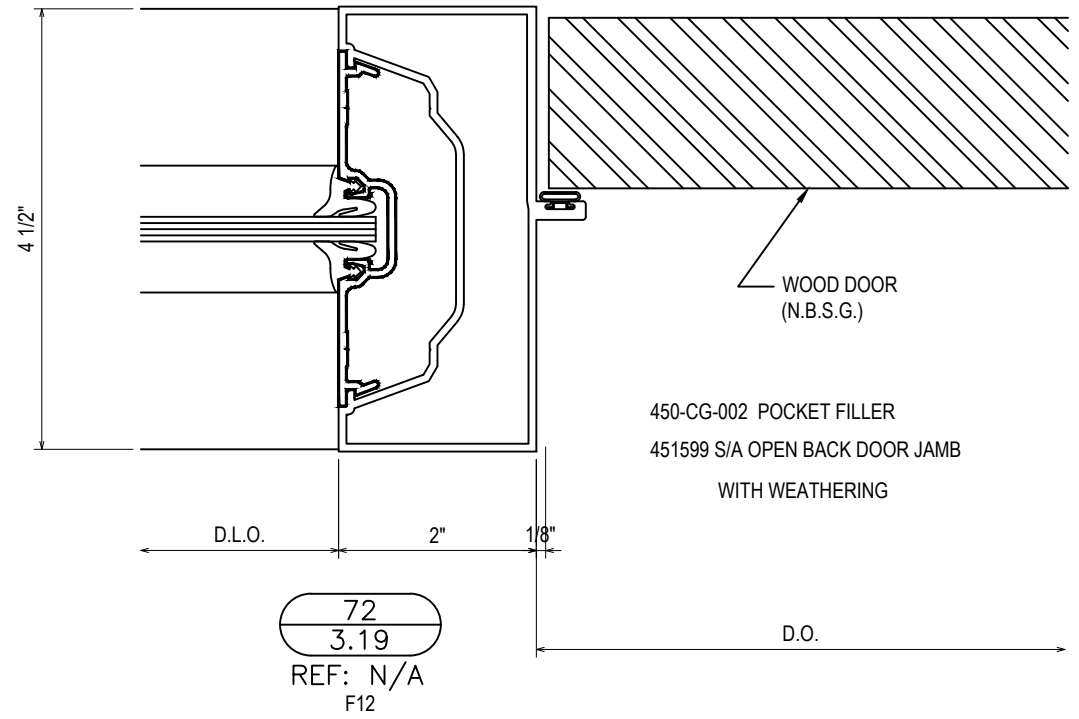
1ST SUBMISSION	01.07.20
1ST REVISION	01.23.20
2ND REVISION	03.11.20
NO	DATE
DRAWING SUBMISSION	

SPRINGFIELD GLASS COMPANY  
2503 NORTH OAK GROVE AVE.  
SPRINGFIELD, MO 65803  
P: 417.883.6555

PROJECT: INNOVATIVE DENTAL CENTER FOR GENERAL & ADVANCED DENTISTRY  
LOCATION: 3192 E. FARM ROAD 188 SPRINGFIELD, MO 65721

DRAWN BY:	DATE:
RA	01.07.20
CHECKED BY:	DATE:
TF	01.07.20





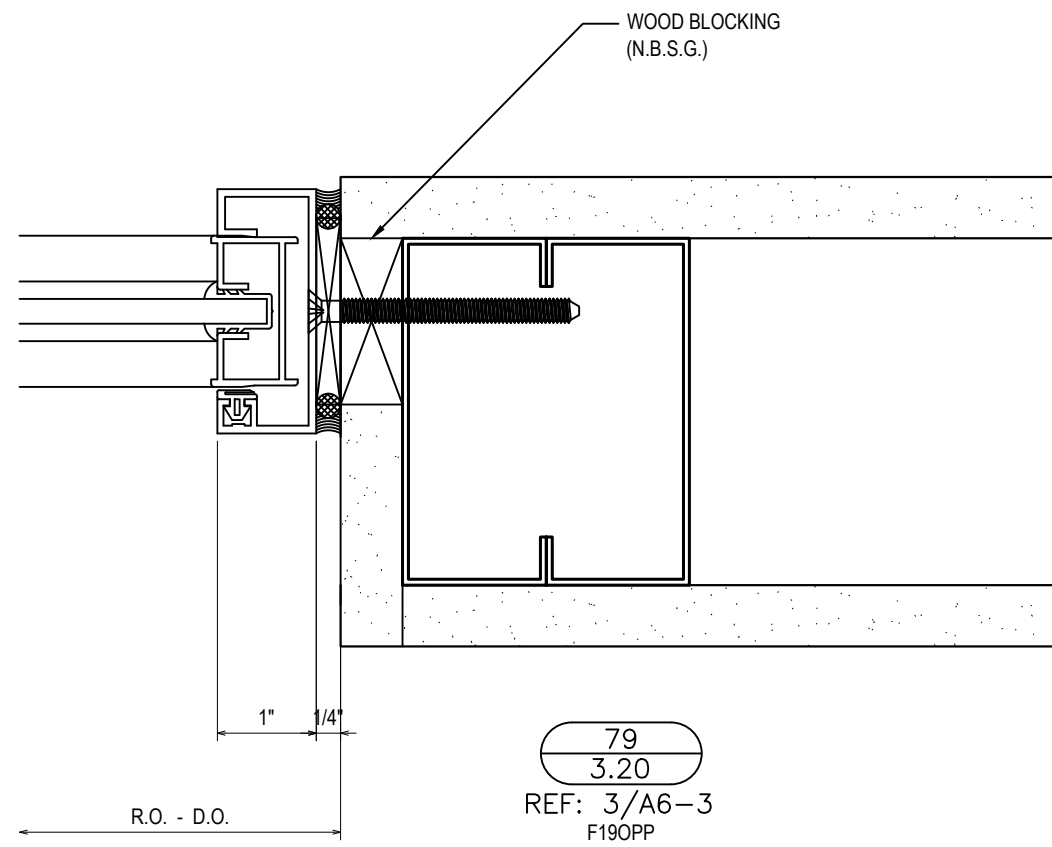
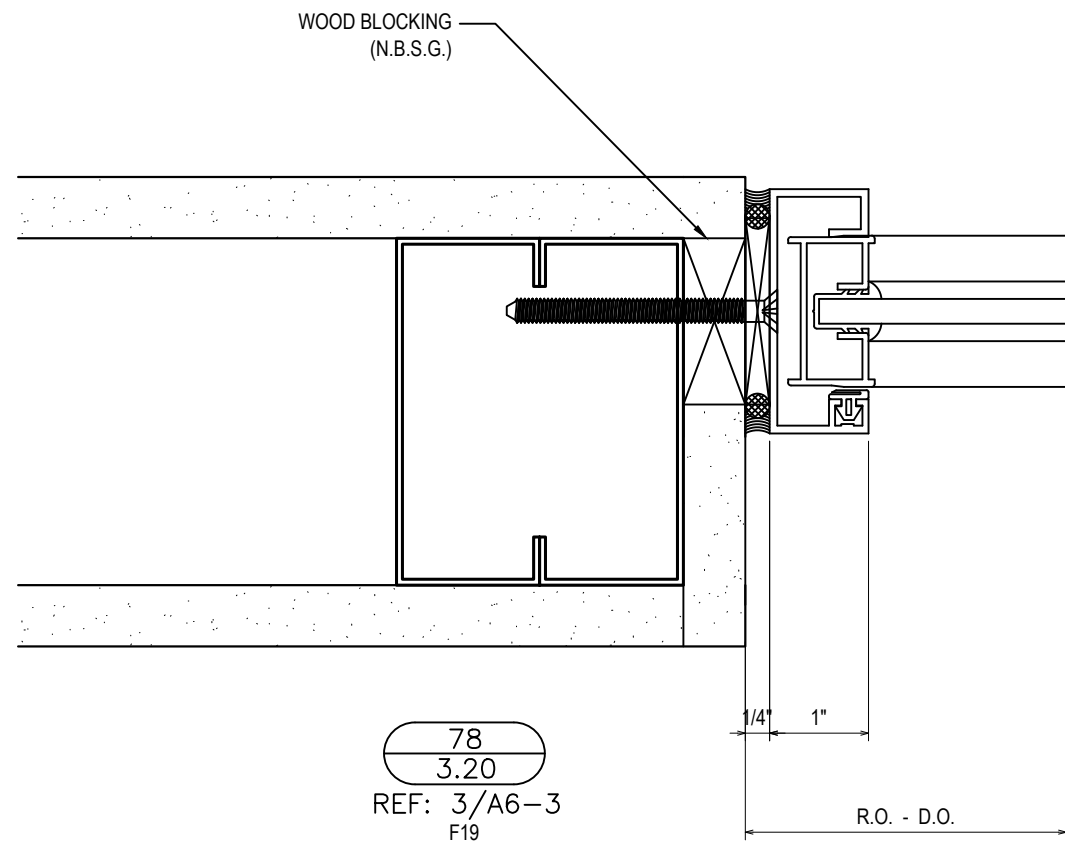
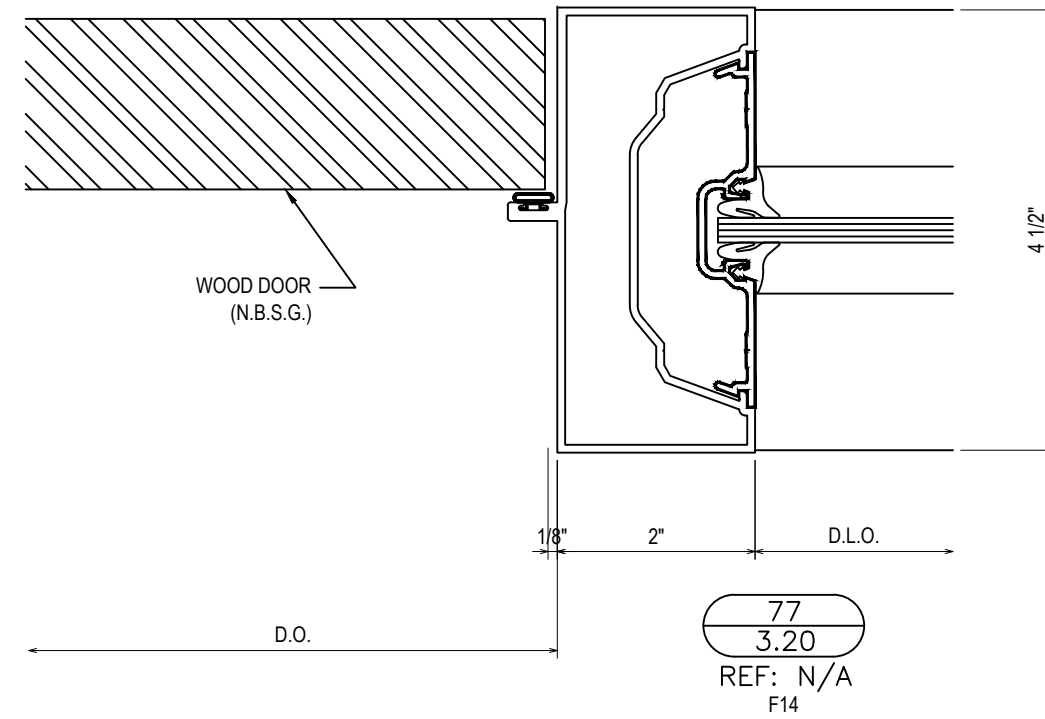
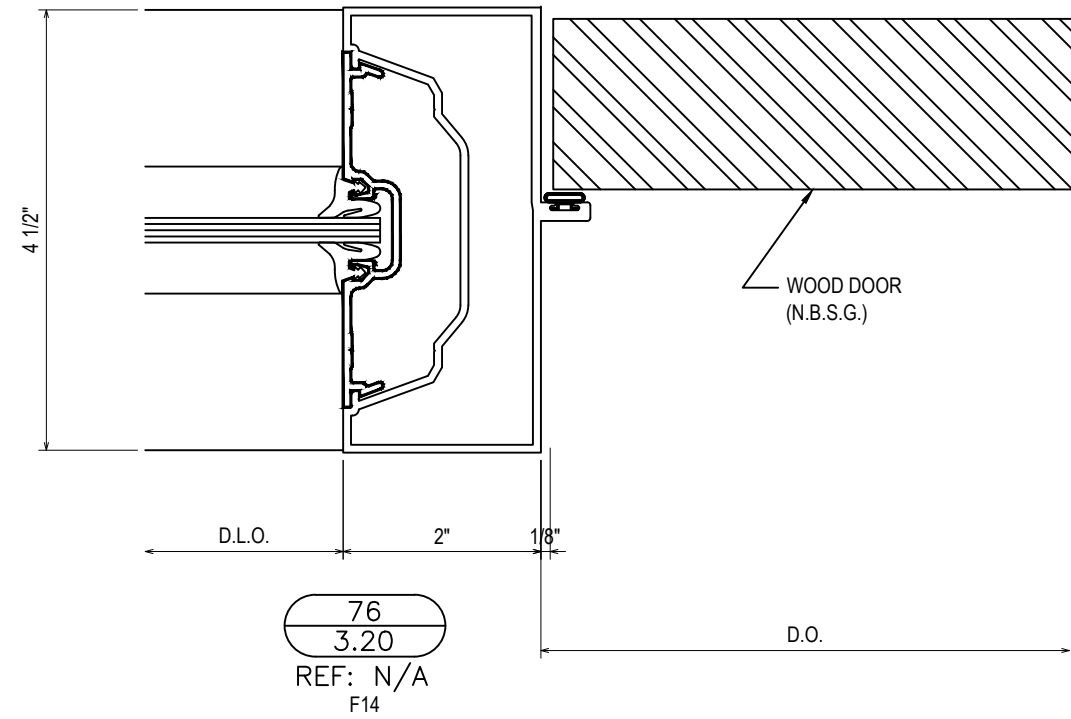
1ST SUBMISSION	01.07.20
1ST REVISION	01.23.20
2ND REVISION	03.11.20
NO	DESCRIPTION
DRAWING SUBMISSION	

SPRINGFIELD GLASS COMPANY  
 2503 NORTH OAK GROVE AVE.  
 SPRINGFIELD, MO 65803  
 P: 417.883.6555

PROJECT: INNOVATIVE DENTAL  
 CENTER FOR GENERAL &  
 ADVANCED DENTISTRY

LOCATION: 3192 E. FARM ROAD 188  
 SPRINGFIELD, MO 65721

DRAWN BY:	DATE:
RA	01.07.20
CHECKED BY:	DATE:
TF	01.07.20

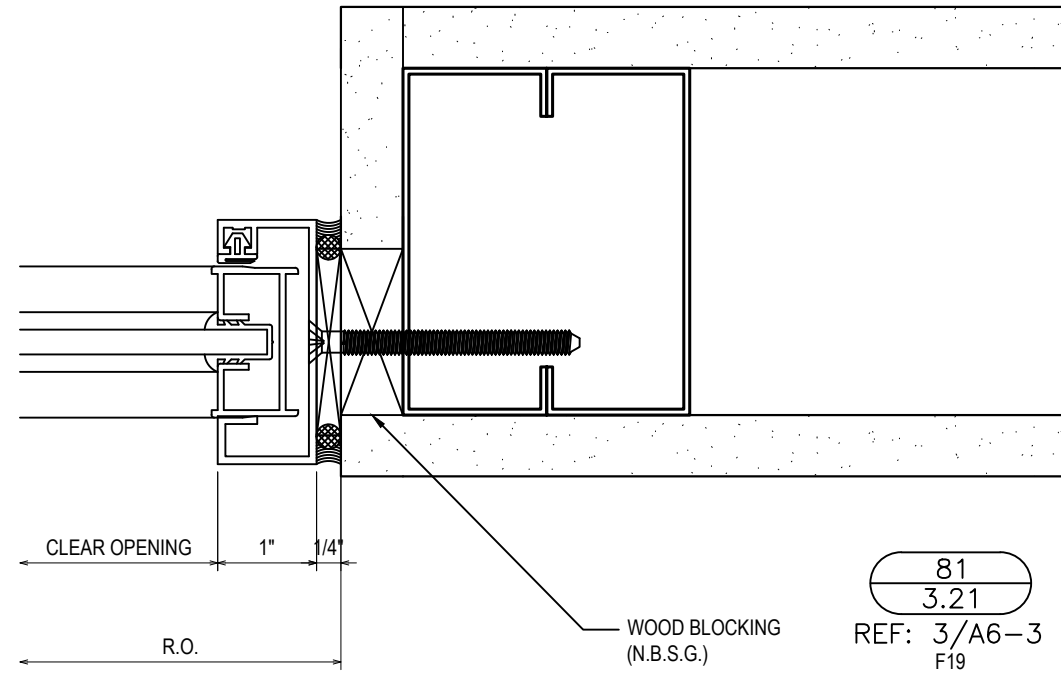
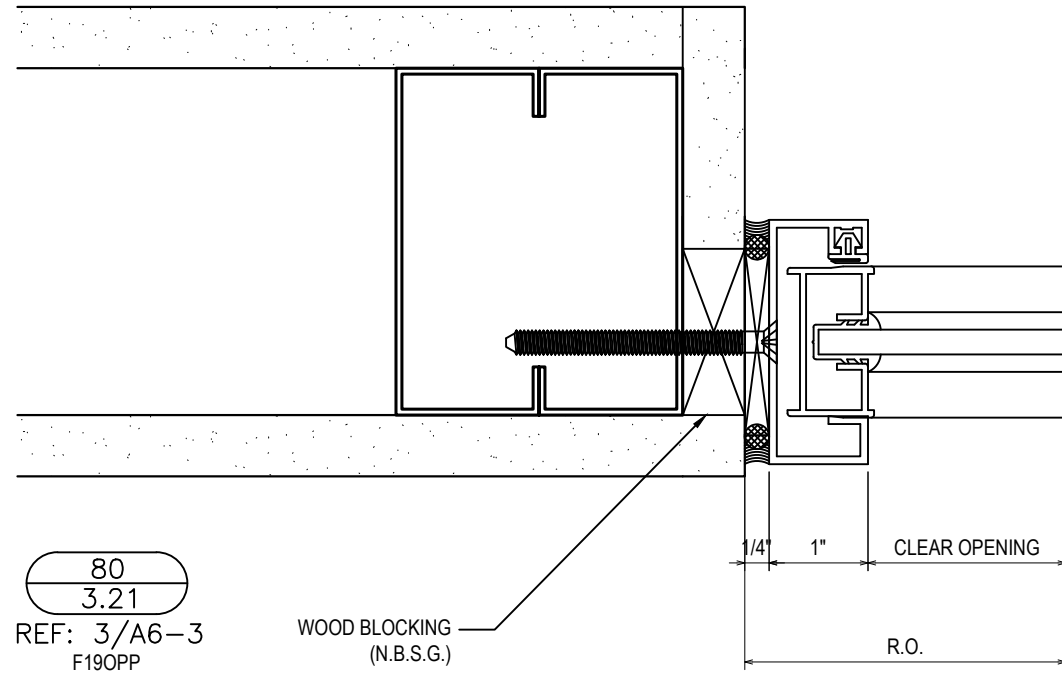


1ST SUBMISSION	01.07.20
1ST REVISION	01.23.20
2ND REVISION	03.11.20
NO	DESCRIPTION
	DRAWING SUBMISSION
	DATE

SPRINGFIELD GLASS COMPANY  
 2503 NORTH OAK GROVE AVE.  
 SPRINGFIELD, MO 65803  
 P: 417.883.6555

PROJECT: INNOVATIVE DENTAL  
 CENTER FOR GENERAL &  
 ADVANCED DENTISTRY  
 LOCATION: 3192 E. FARM ROAD 188  
 SPRINGFIELD, MO 65721

DRAWN BY:	DATE:
RA	01.07.20
CHECKED BY:	DATE:
TF	01.07.20



DETAIL NOT USED <sup>△</sup>

82  
3.21  
REF: N/A

DETAIL NOT USED <sup>△</sup>

83  
3.21  
REF: N/A

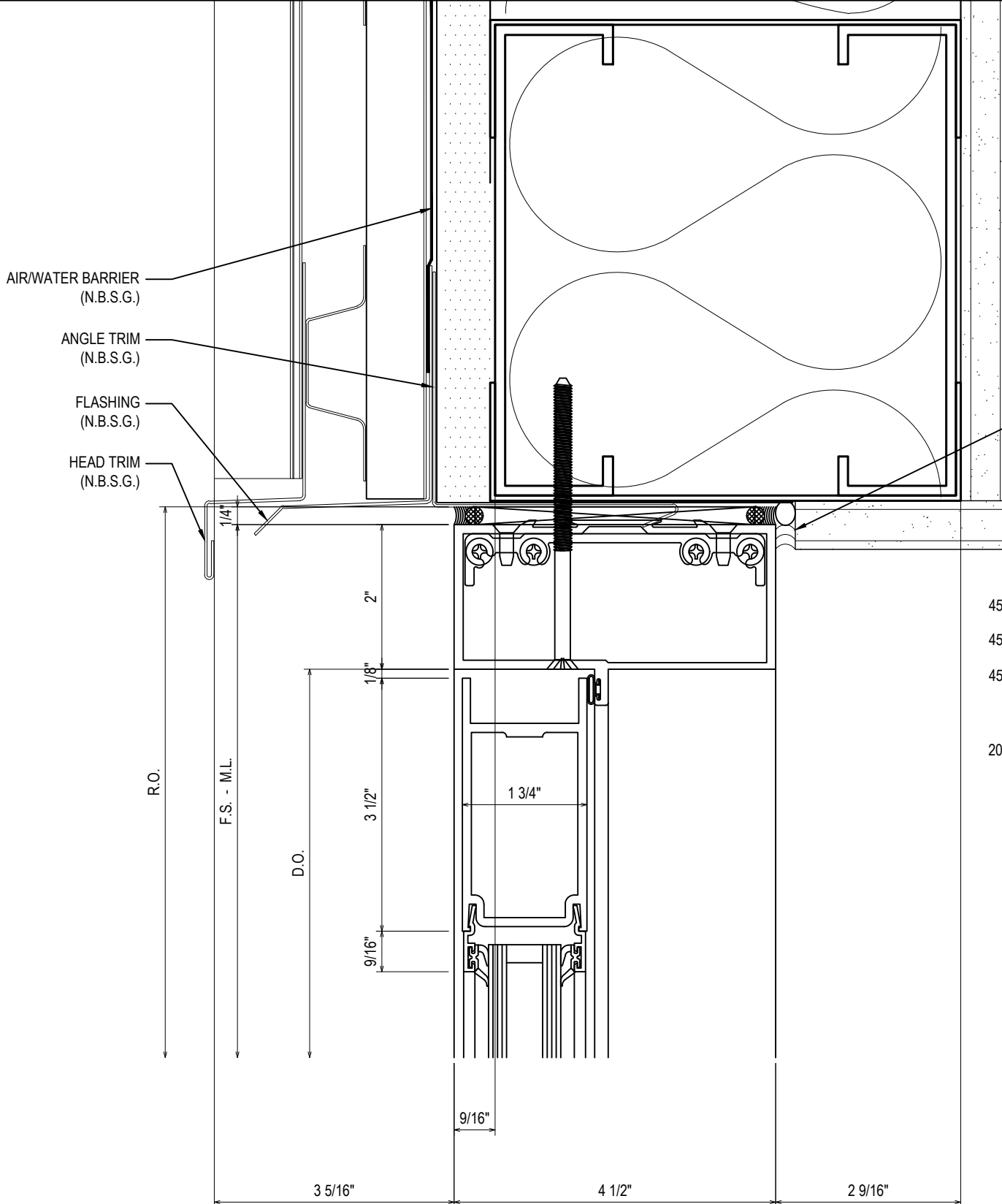
1ST SUBMISSION	01.07.20
1ST REVISION	01.23.20
2ND REVISION	03.11.20
NO	DATE
DRAWING SUBMISSION	

SPRINGFIELD GLASS COMPANY  
2503 NORTH OAK GROVE AVE.  
SPRINGFIELD, MO 65803  
P: 417.883.6555

PROJECT: INNOVATIVE DENTAL  
CENTER FOR GENERAL &  
ADVANCED DENTISTRY

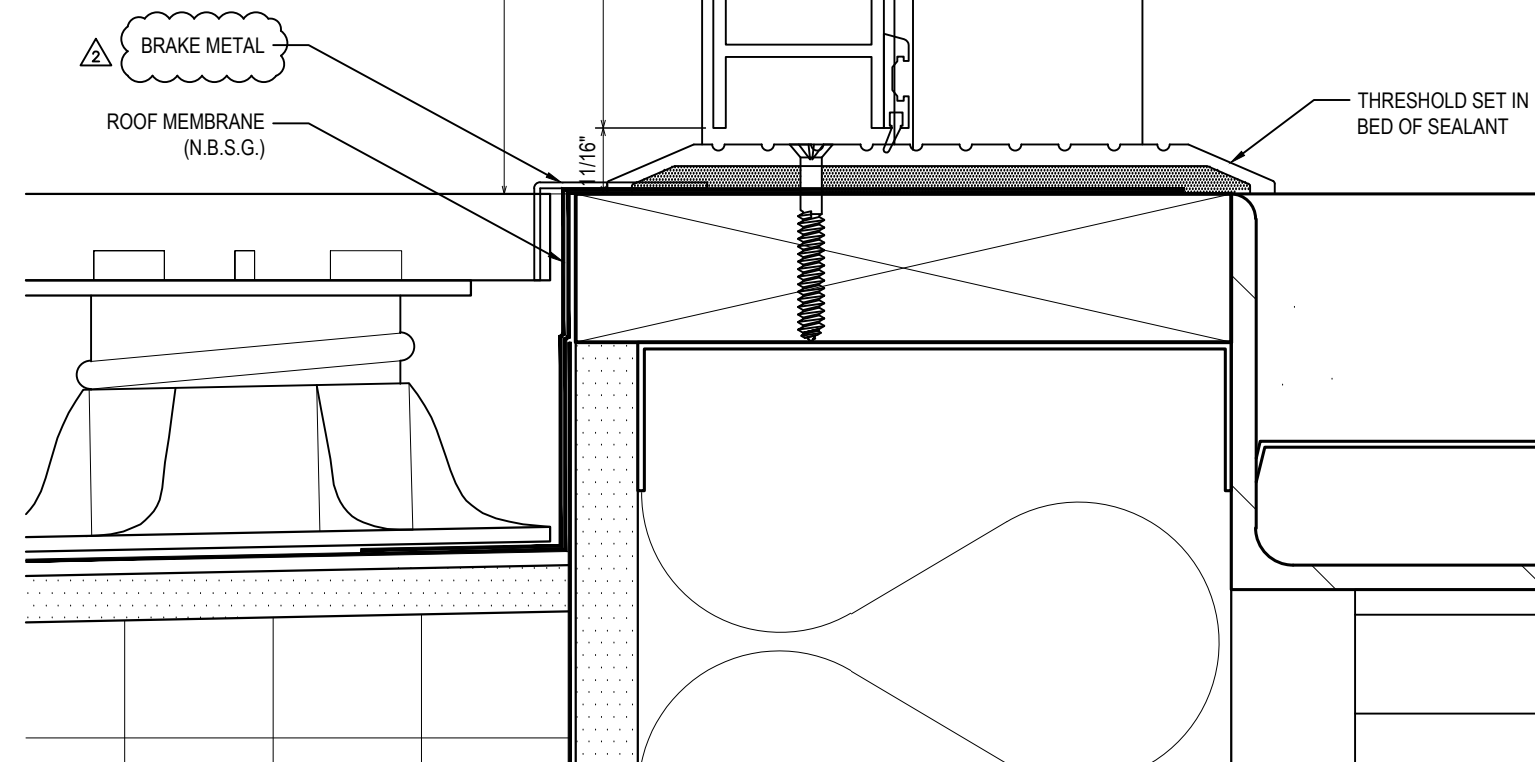
LOCATION: 3192 E. FARM ROAD 188  
SPRINGFIELD, MO 65721

DRAWN BY:	DATE:
RA	01.07.20
CHECKED BY:	DATE:
TF	01.07.20



- 451VG022 T-BAR ADAPTER
- 450506 SHEAR BLOCK PKG.
- 451502 S/A T-BAR W/ WEATHERING
- 200023 STANDARD 350 TOP DOOR RAIL

84  
3.22  
REF: 18/A6-3  
F1.1 - F1.2 - F7 - F8 - F10  
F17



200038 STANDARD 10" RAIL

85  
3.22  
REF: 24/A6-3  
F1.1 - F1.2 - F17

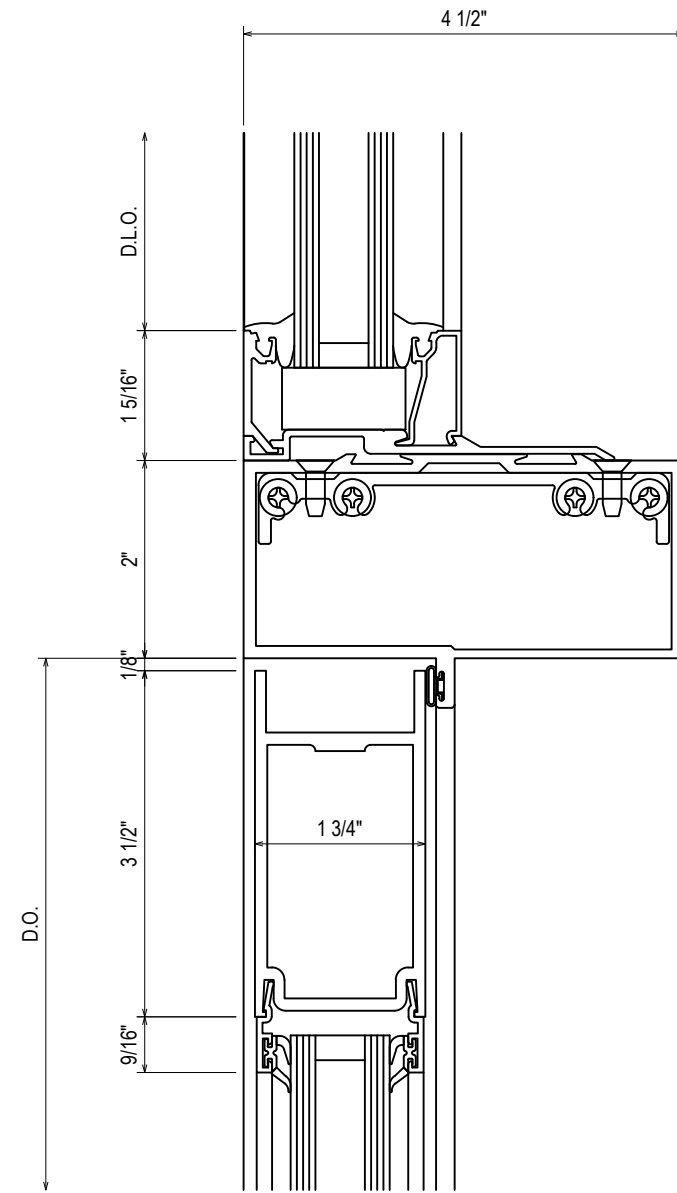
1ST SUBMISSION	01.07.20
1ST REVISION	01.23.20
2ND REVISION	03.11.20
NO	DATE
DESCRIPTION	DRAWING SUBMISSION

SPRINGFIELD GLASS COMPANY  
2503 NORTH OAK GROVE AVE.  
SPRINGFIELD, MO 65803  
P: 417.883.6555

PROJECT: INNOVATIVE DENTAL  
CENTER FOR GENERAL &  
ADVANCED DENTISTRY

LOCATION: 3192 E. FARM ROAD 188  
SPRINGFIELD, MO 65721

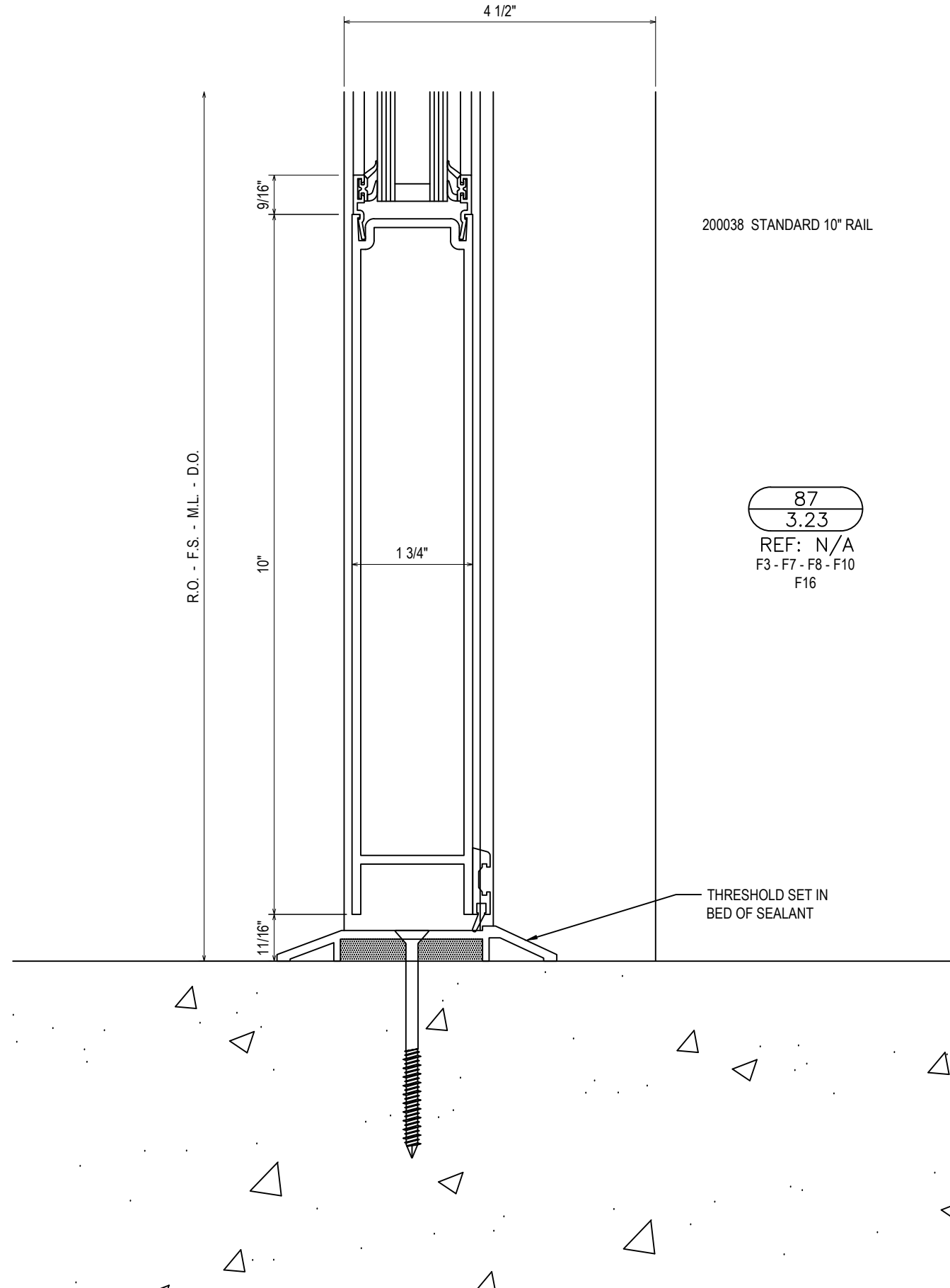
DRAWN BY:	DATE:
RA	01.07.20
CHECKED BY:	DATE:
TF	01.07.20



451VG022 T-BAR ADAPTER  
 450506 SHEAR BLOCK PKG.  
 451502 S/A T-BAR W/ WEATHERING

200023 STANDARD 350 TOP DOOR RAIL

86  
 3.23  
 REF: N/A  
 F3 - F16



200038 STANDARD 10" RAIL

87  
 3.23  
 REF: N/A  
 F3 - F7 - F8 - F10  
 F16

THRESHOLD SET IN  
 BED OF SEALANT

1ST SUBMISSION	01.07.20
1ST REVISION	01.23.20
2ND REVISION	03.11.20
NO	DATE
DESCRIPTION	DRAWING SUBMISSION

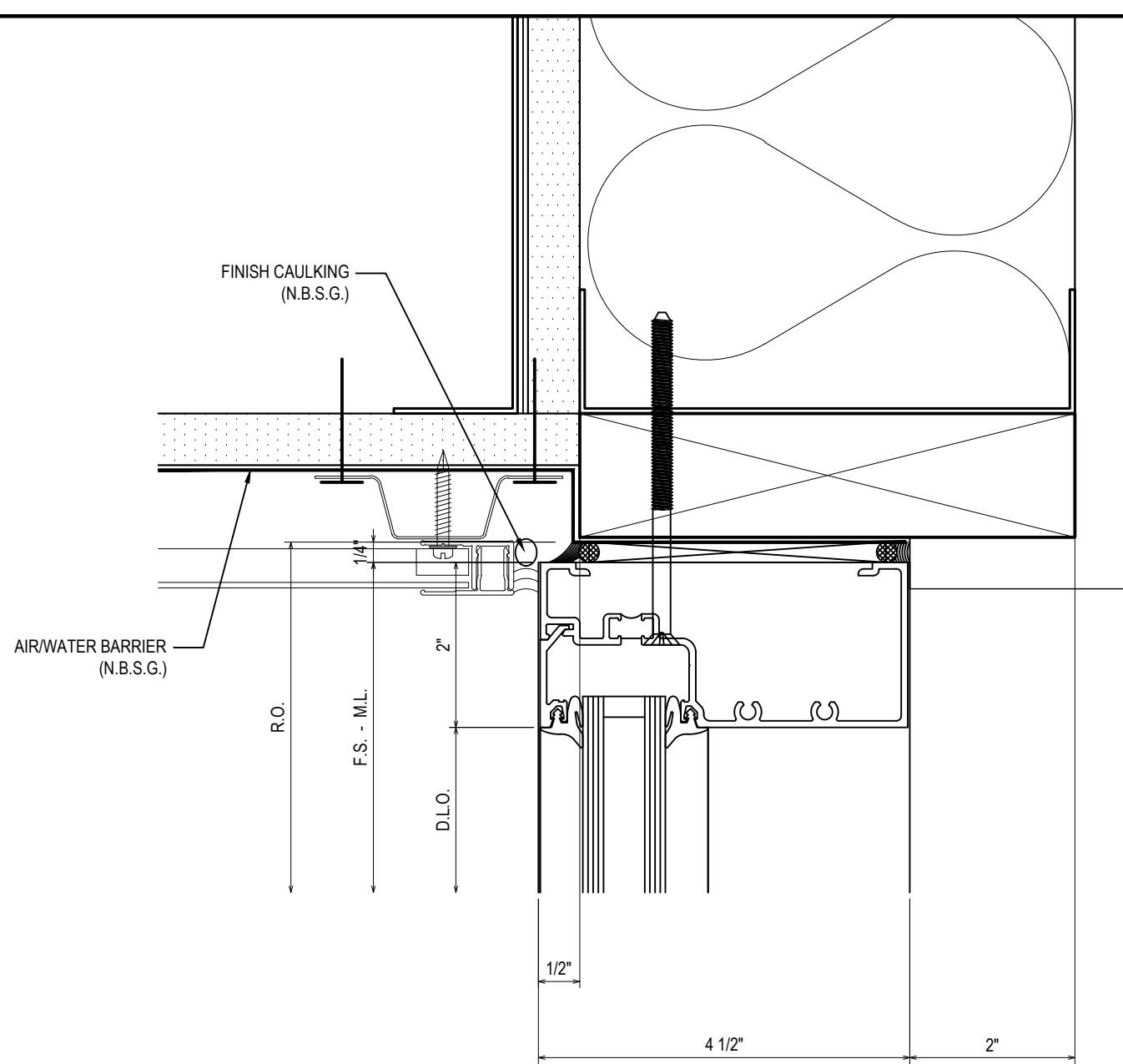
SPRINGFIELD GLASS COMPANY  
 2503 NORTH OAK GROVE AVE.  
 SPRINGFIELD, MO 65803  
 P: 417.883.6555

PROJECT: INNOVATIVE DENTAL  
 CENTER FOR GENERAL &  
 ADVANCED DENTISTRY

LOCATION: 3192 E. FARM ROAD 188  
 SPRINGFIELD, MO 65721

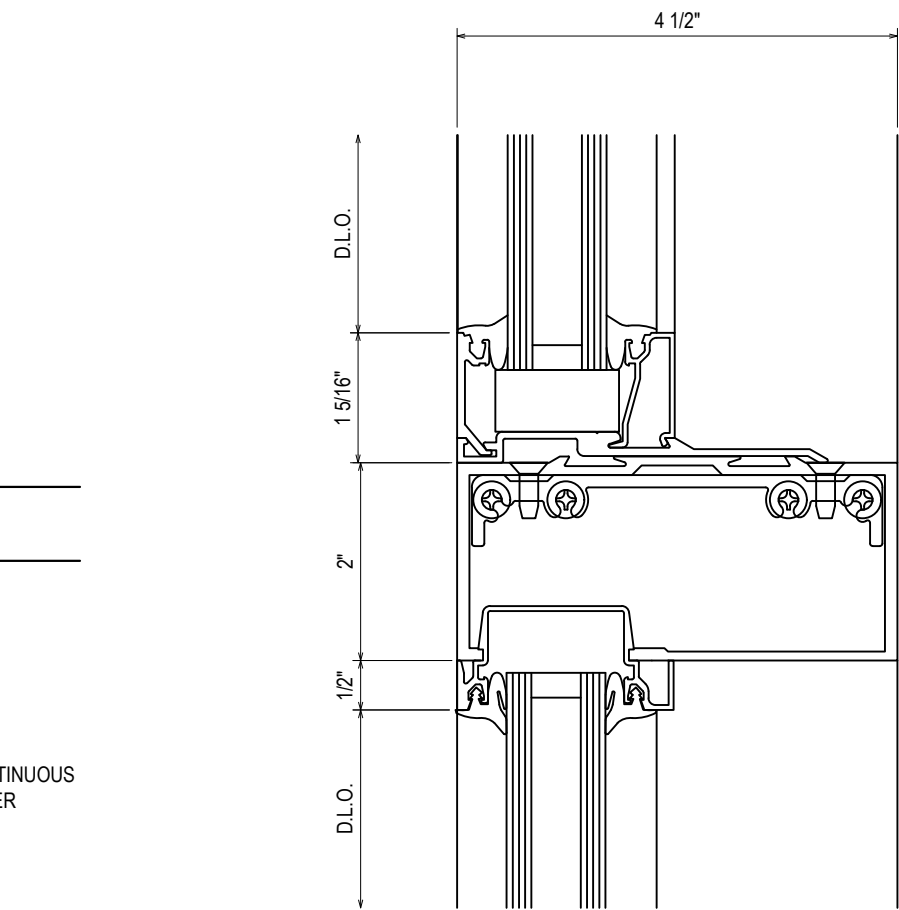
DRAWN BY:	DATE:
RA	01.07.20
CHECKED BY:	DATE:
TF	01.07.20

3.23



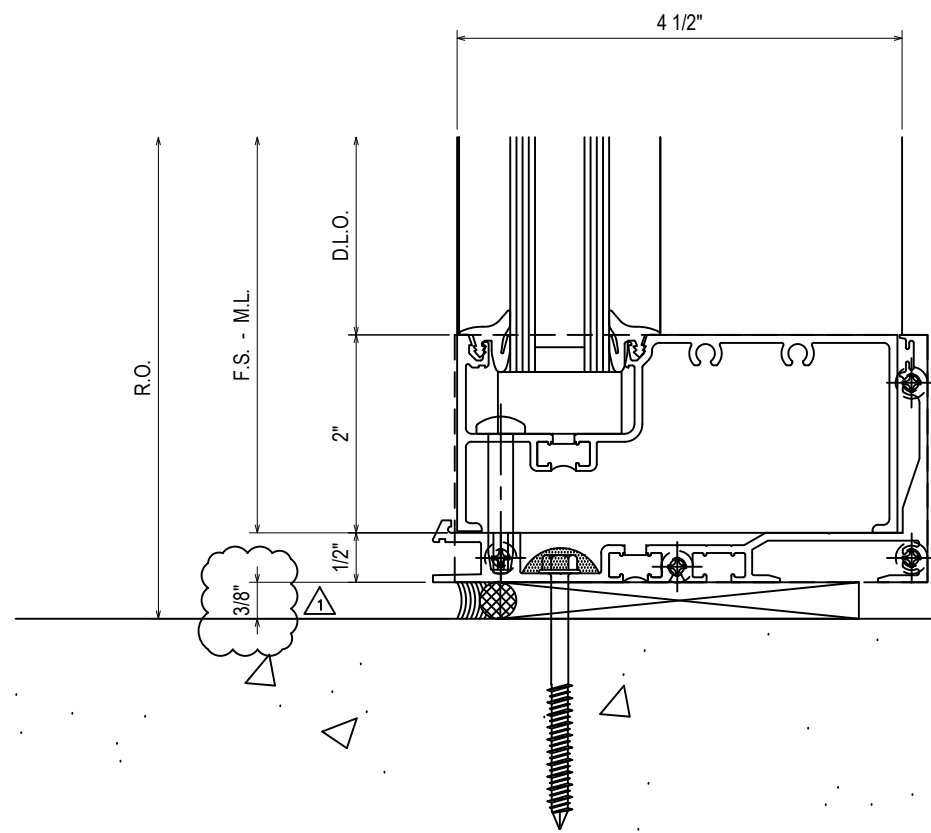
451TVG003 HEAD  
 451T026 THERMAL CONTINUOUS  
 POCKET FILLER  
 451VG004 GLASS STOP

88  
 3.24  
 REF: 15/A6-3  
 F3 - W12



451VG022 T-BAR ADAPTER  
 450506 SHEAR BLOCK PKG.  
 451502 S/A T-BAR (MODIFIED)  
 451VG033 POCKET INSERT

89  
 3.24  
 REF: N/A  
 F3



90  
 3.24  
 REF: N/A  
 F3 - F7 - F8 - F16

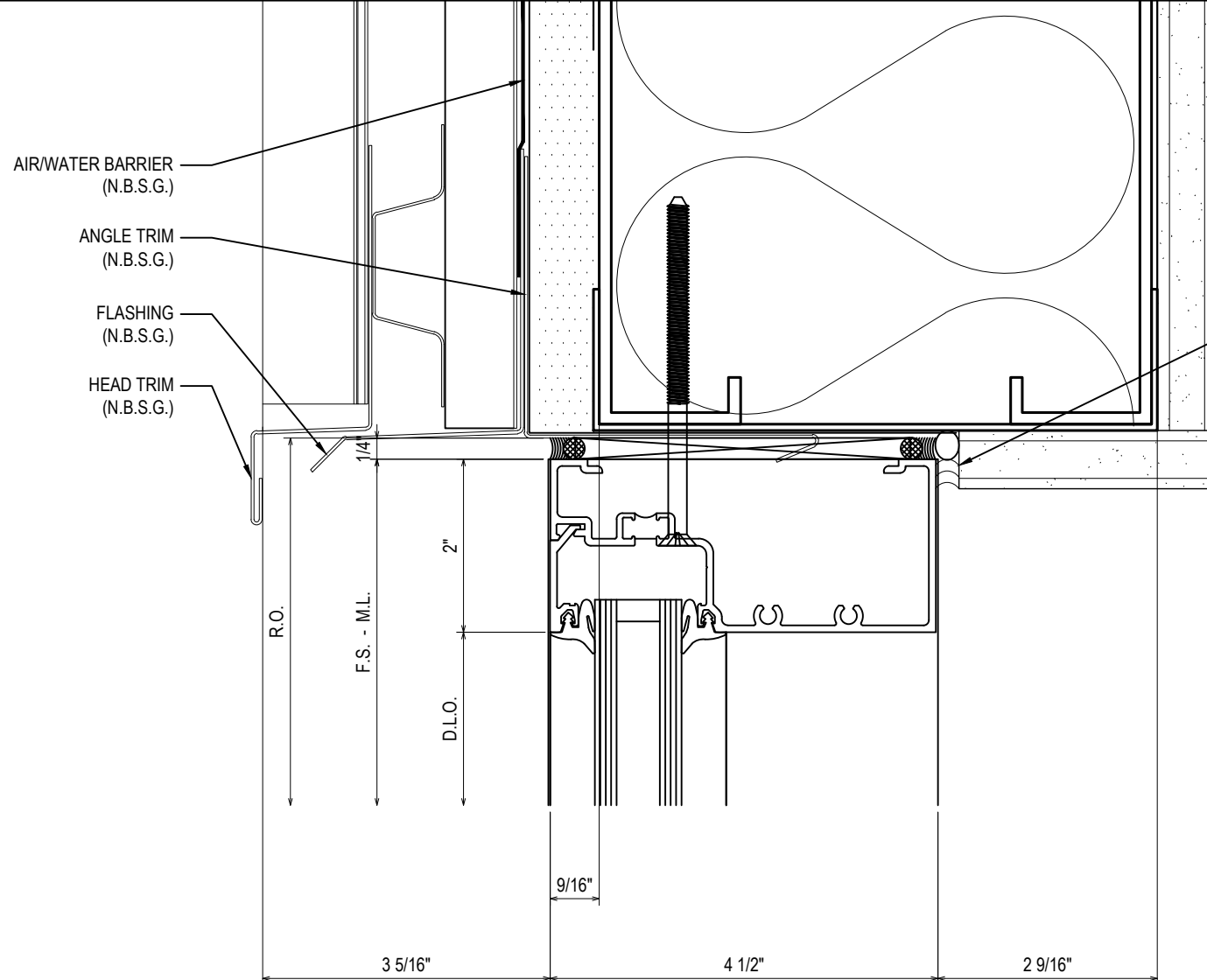
451TFG014 SILL  
 451TVG037 HP SILL FLASHING  
 451TVG316 END DAM  
 128581 1/4" - 20 x 1-3/8"  
 CRPHTCS D/F  
 028808 #8 x 1/2" PHTF "AB"

1ST SUBMISSION	01.07.20
1ST REVISION	01.23.20
2ND REVISION	03.11.20
NO	DATE
DRAWING SUBMISSION	

PROJECT: INNOVATIVE DENTAL  
 CENTER FOR GENERAL &  
 ADVANCED DENTISTRY  
 LOCATION: 3192 E. FARM ROAD 188  
 SPRINGFIELD, MO 65721

SPRINGFIELD GLASS COMPANY  
 2503 NORTH OAK GROVE AVE.  
 SPRINGFIELD, MO 65803  
 P: 417.883.6555

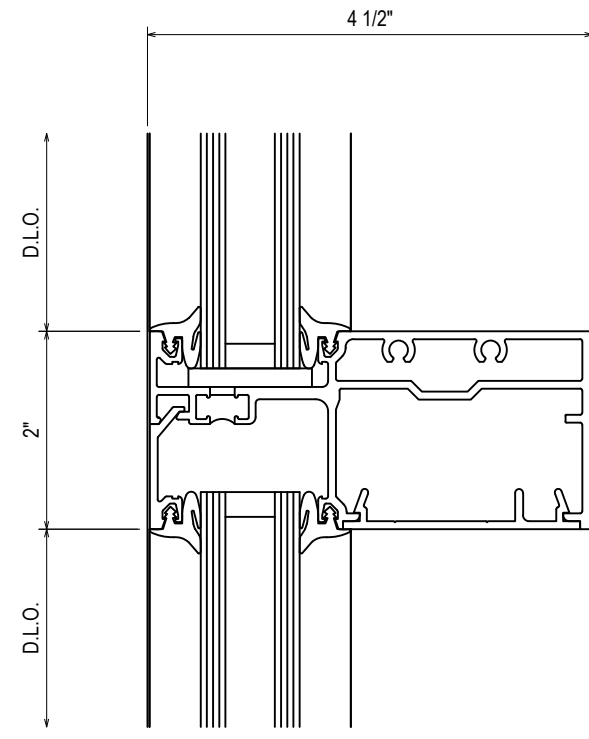
DRAWN BY:	DATE:
RA	01.07.20
CHECKED BY:	DATE:
TF	01.07.20



451TVG003 HEAD  
 451T026 THERMAL CONTINUOUS  
 POCKET FILLER  
 451VG004 GLASS STOP

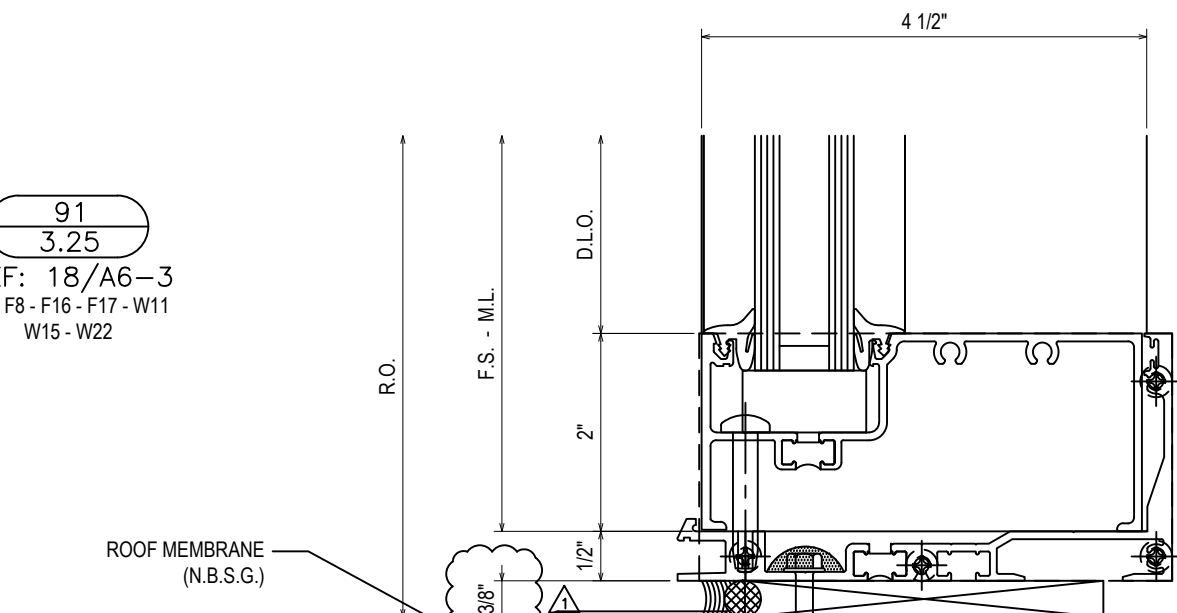
91  
 3.25

REF: 18/A6-3  
 F7 - F8 - F16 - F17 - W11  
 W15 - W22



92  
 3.25

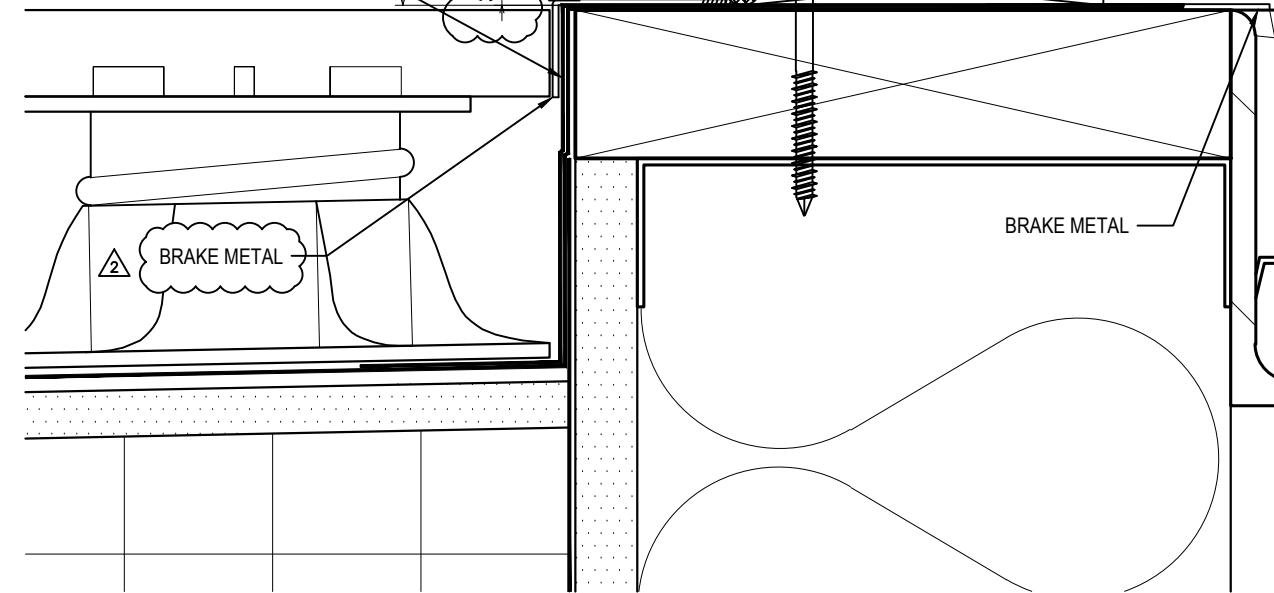
REF: N/A  
 TYPICAL



93  
 3.25

REF: 24/A6-3  
 F17 - W22

451TFG014 SILL  
 451TVG037 HP SILL FLASHING  
 451TVG316 END DAM  
 128581 1/4" - 20 x 1-3/8"  
 CRPHTCS D/F  
 028808 #8 x 1/2" PHTF "AB"

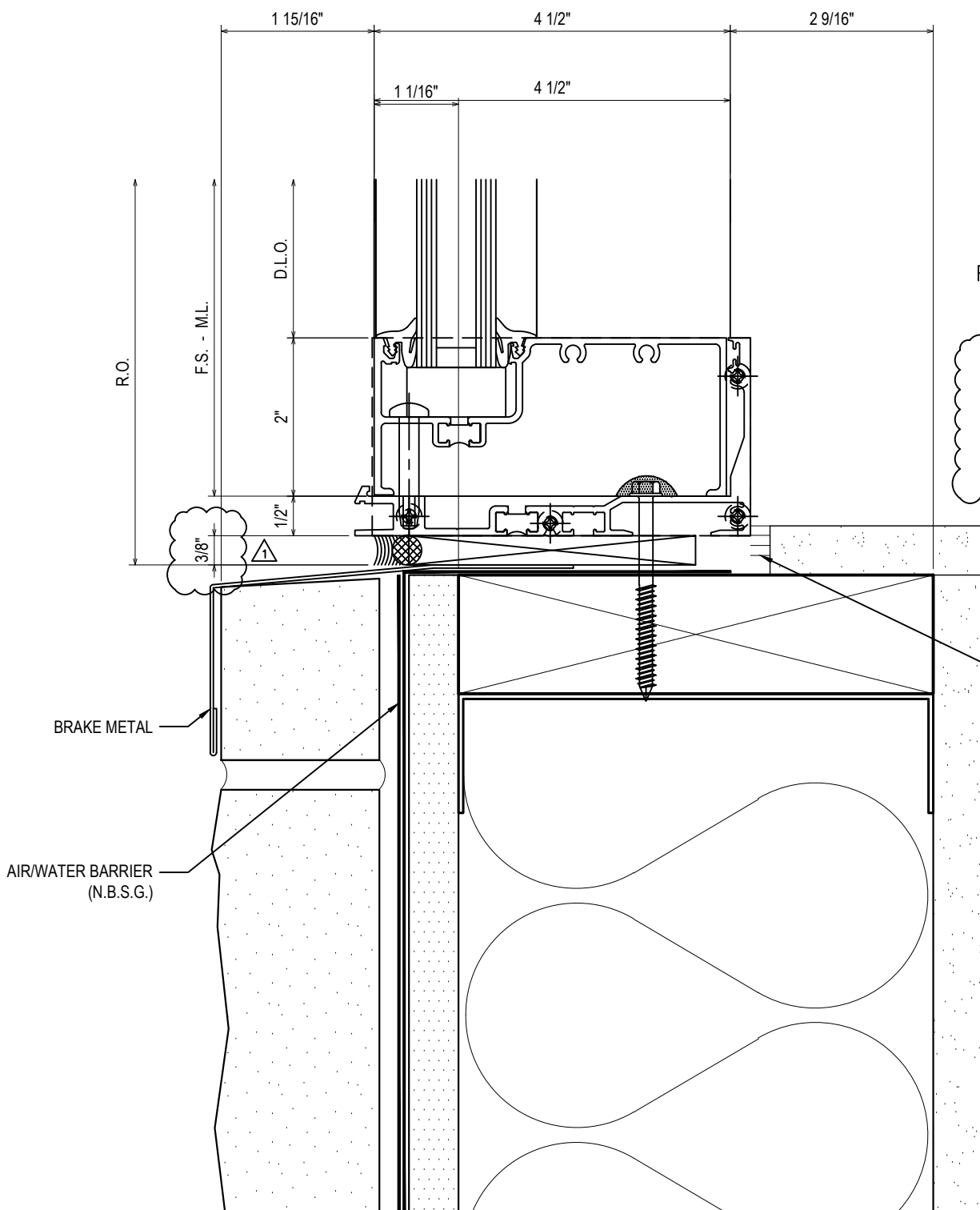


1ST SUBMISSION	01.07.20
1ST REVISION	01.23.20
2ND REVISION	03.11.20
NO	DATE
DESCRIPTION	DRAWING SUBMISSION

SPRINGFIELD GLASS COMPANY  
 2503 NORTH OAK GROVE AVE.  
 SPRINGFIELD, MO 65803  
 P: 417.883.6555

PROJECT: INNOVATIVE DENTAL  
 CENTER FOR GENERAL &  
 ADVANCED DENTISTRY  
 LOCATION: 3192 E. FARM ROAD 188  
 SPRINGFIELD, MO 65721

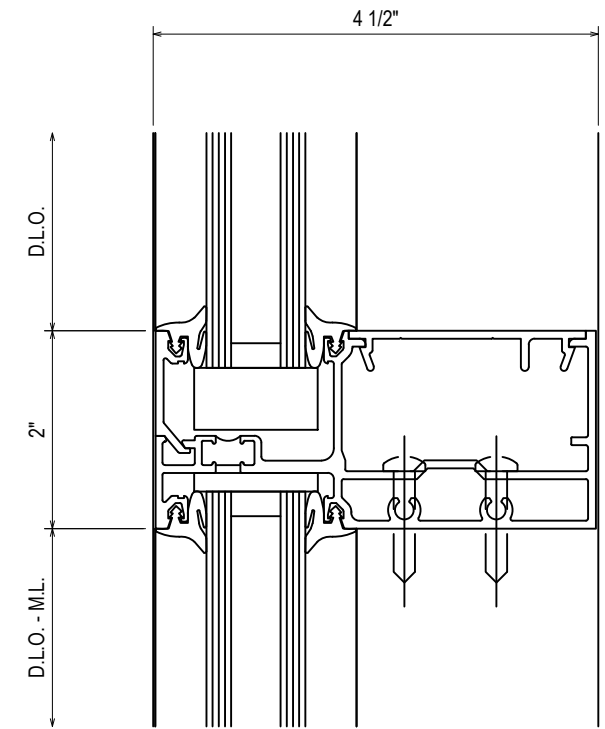
DRAWN BY:	DATE:
RA	01.07.20
CHECKED BY:	DATE:
TF	01.07.20



94  
3.26

REF: 20/A6-3  
W11 - W12

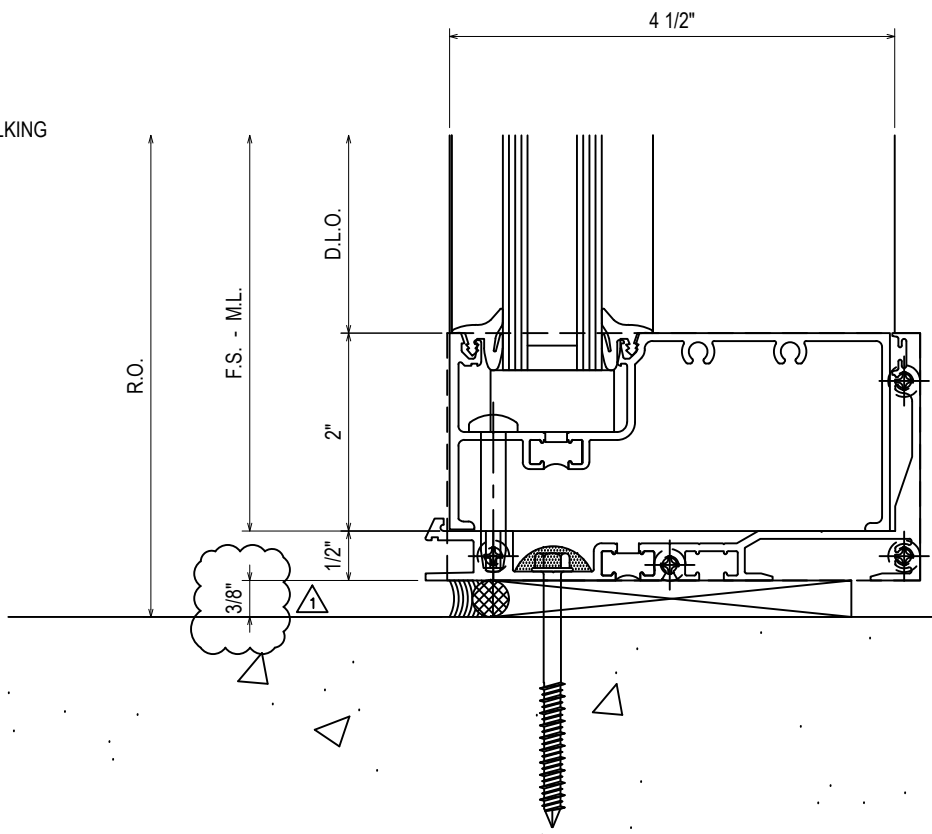
451TFG014 SILL  
451TVG037 HP SILL FLASHING  
451TVG316 END DAM  
128581 1/4" - 20 x 1-3/8"  
CRPHTCS D/F  
028808 #8 x 1/2" PHTF "AB"



95  
3.26

REF: N/A  
W15

451TVG011 HORIZONTAL  
451VG004 GLASS STOP  
451VG026 FILLER



96  
3.26

REF: N/A  
W15

451TFG014 SILL  
451TVG037 HP SILL FLASHING  
451TVG316 END DAM  
128581 1/4" - 20 x 1-3/8"  
CRPHTCS D/F  
028808 #8 x 1/2" PHTF "AB"

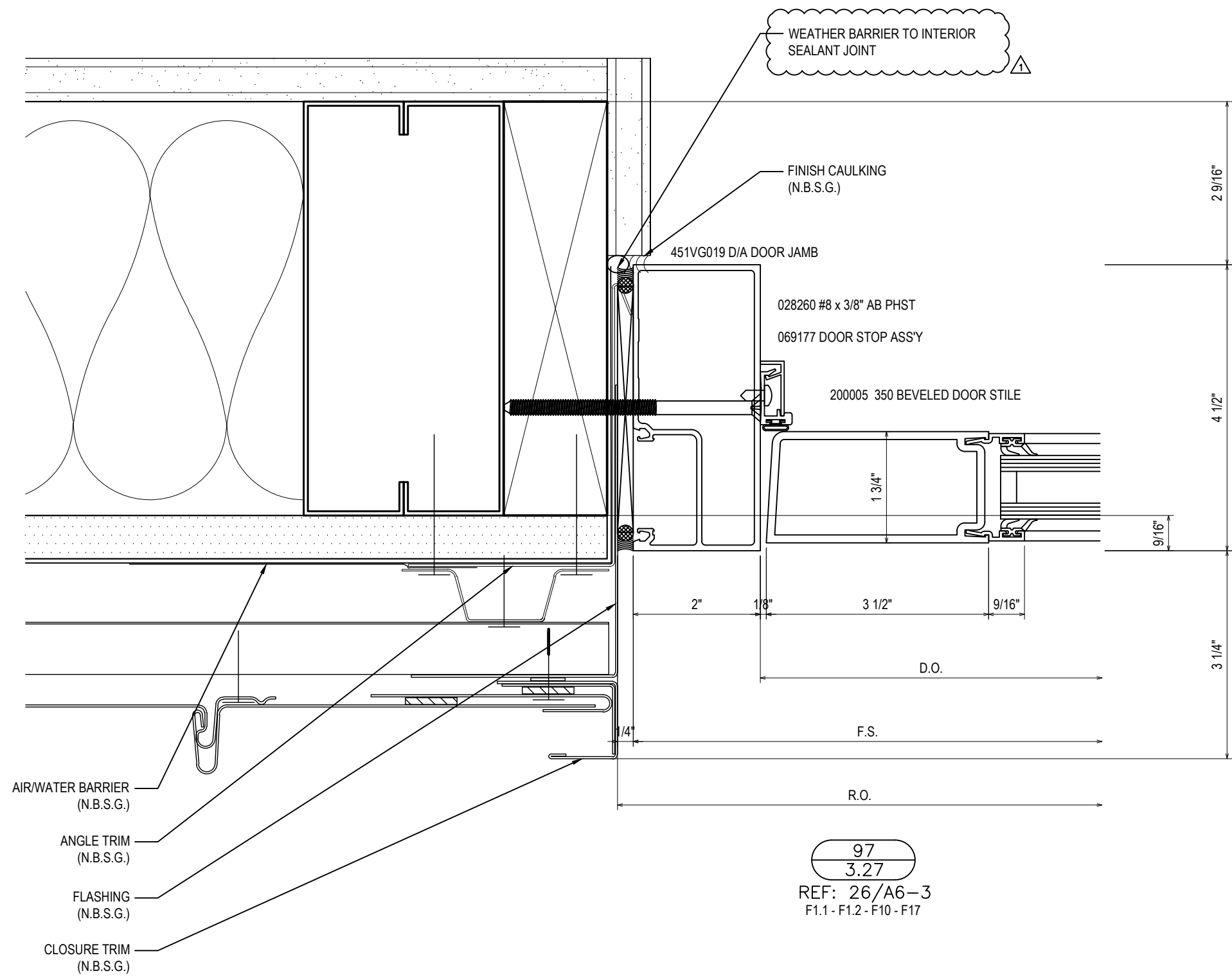
1ST SUBMISSION	01.07.20
1ST REVISION	01.23.20
2ND REVISION	03.11.20
NO	DATE
DRAWING SUBMISSION	

SPRINGFIELD GLASS COMPANY  
2503 NORTH OAK GROVE AVE.  
SPRINGFIELD, MO 65803  
P: 417.883.6555

PROJECT: INNOVATIVE DENTAL  
CENTER FOR GENERAL &  
ADVANCED DENTISTRY  
LOCATION: 3192 E. FARM ROAD 188  
SPRINGFIELD, MO 65721

DRAWN BY:	DATE:
RA	01.07.20
CHECKED BY:	DATE:
TF	01.07.20





97  
 3.27  
 REF: 26/A6-3  
 F1.1 - F1.2 - F10 - F17

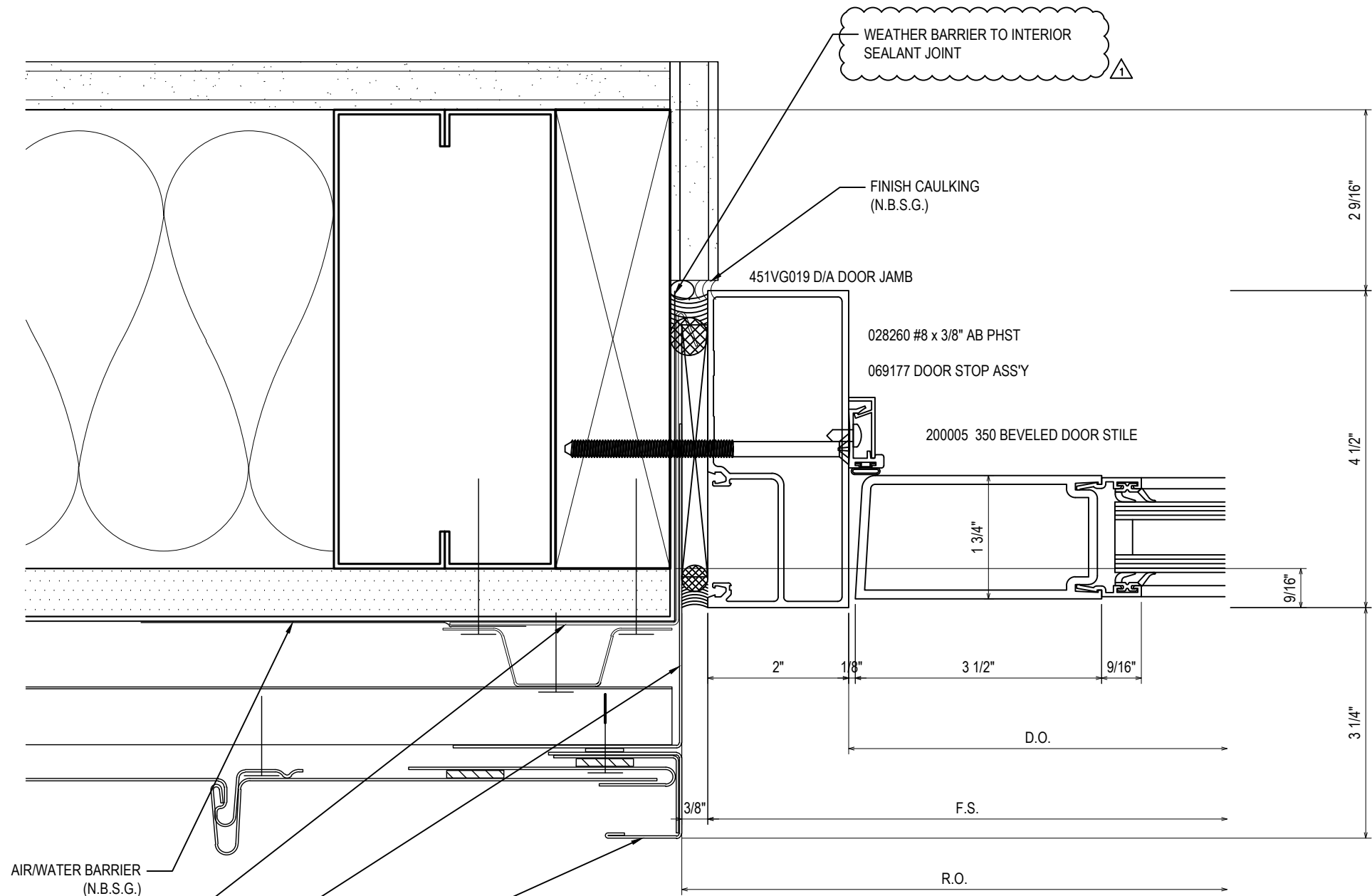
1ST SUBMISSION	01.07.20
1ST REVISION	01.23.20
2ND REVISION	03.11.20
NO	DESCRIPTION
	DRAWING SUBMISSION

SPRINGFIELD GLASS COMPANY  
 2503 NORTH OAK GROVE AVE.  
 SPRINGFIELD, MO 65803  
 P: 417.883.6555

PROJECT: INNOVATIVE DENTAL  
 CENTER FOR GENERAL &  
 ADVANCED DENTISTRY  
 LOCATION: 3192 E. FARM ROAD 188  
 SPRINGFIELD, MO 65721

DRAWN BY:	DATE:
RA	01.07.20
CHECKED BY:	DATE:
TF	01.07.20

3.27



97A  
3.27A

REF: 26/A6-3  
F10

1ST SUBMISSION	01.07.20
1ST REVISION	01.23.20
2ND REVISION	03.11.20
NO	DATE
DRAWING SUBMISSION	

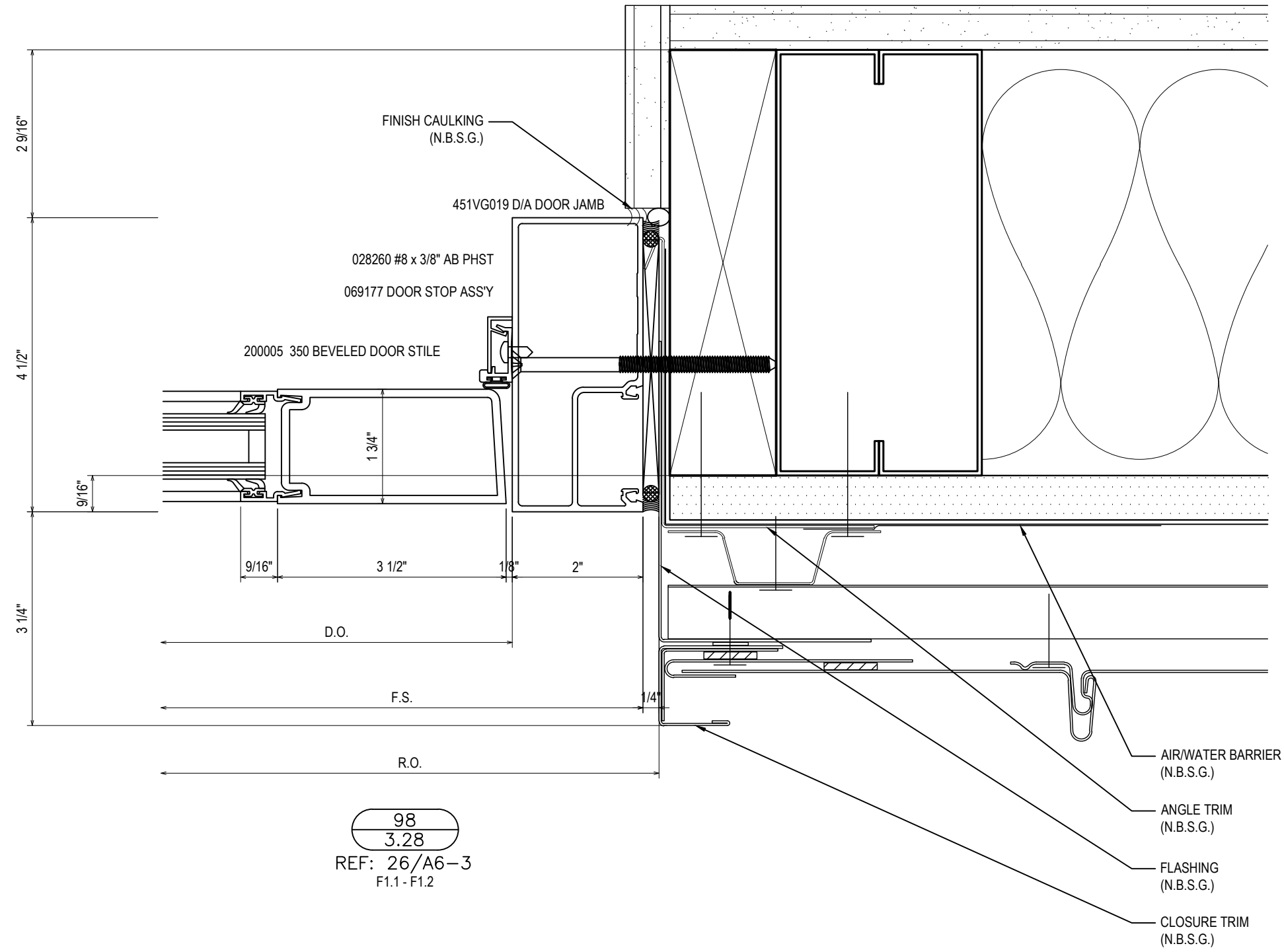
SPRINGFIELD GLASS COMPANY  
2503 NORTH OAK GROVE AVE.  
SPRINGFIELD, MO 65803  
P: 417.883.6555

PROJECT: INNOVATIVE DENTAL  
CENTER FOR GENERAL &  
ADVANCED DENTISTRY

LOCATION: 3192 E. FARM ROAD 188  
SPRINGFIELD, MO 65721

DRAWN BY:	DATE:
RA	01.07.20
CHECKED BY:	DATE:
TF	01.07.20

3.27A



98  
3.28  
REF: 26/A6-3  
F1.1-F1.2

1ST SUBMISSION	01.07.20
1ST REVISION	01.23.20
2ND REVISION	03.11.20
NO	DESCRIPTION
	DRAWING SUBMISSION

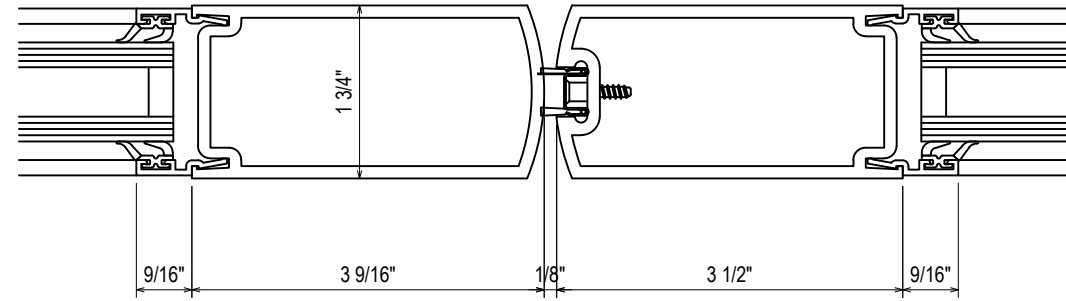
SPRINGFIELD GLASS COMPANY  
2503 NORTH OAK GROVE AVE.  
SPRINGFIELD, MO 65803  
P: 417.883.6555



PROJECT: INNOVATIVE DENTAL  
CENTER FOR GENERAL &  
ADVANCED DENTISTRY  
LOCATION: 3192 E. FARM ROAD 188  
SPRINGFIELD, MO 65721

DRAWN BY:	DATE:
RA	01.07.20
CHECKED BY:	DATE:
TF	01.07.20

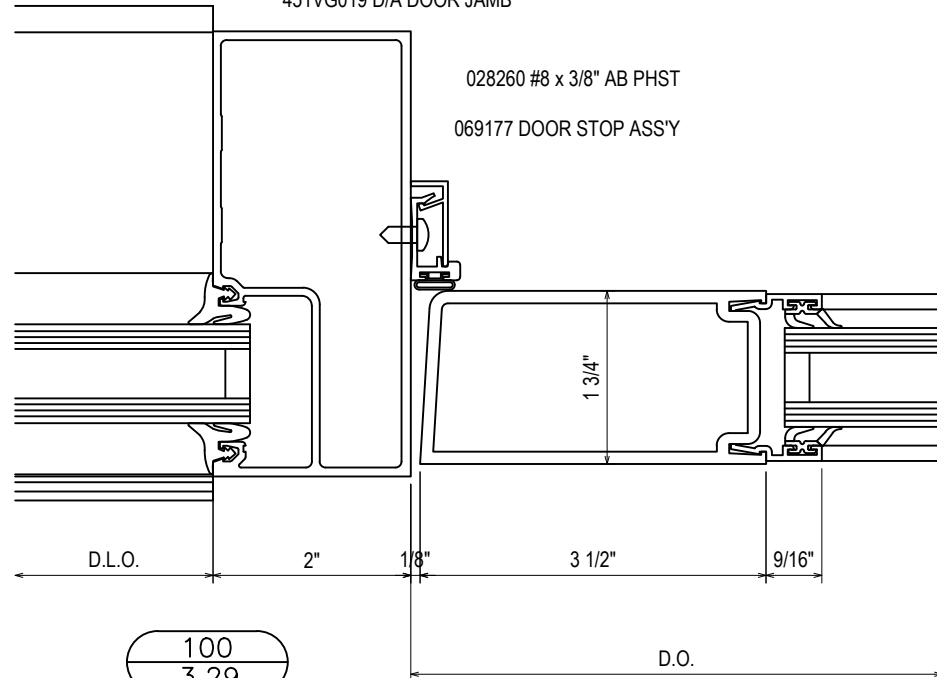
200006 350 ACTIVE STILE  
 200007 350 INACTIVE STILE  
 200496 ADJUSTABLE ASTRAGAL



99  
 3.29  
 REF: N/A  
 F1.2 - F10

451VG019 D/A DOOR JAMB

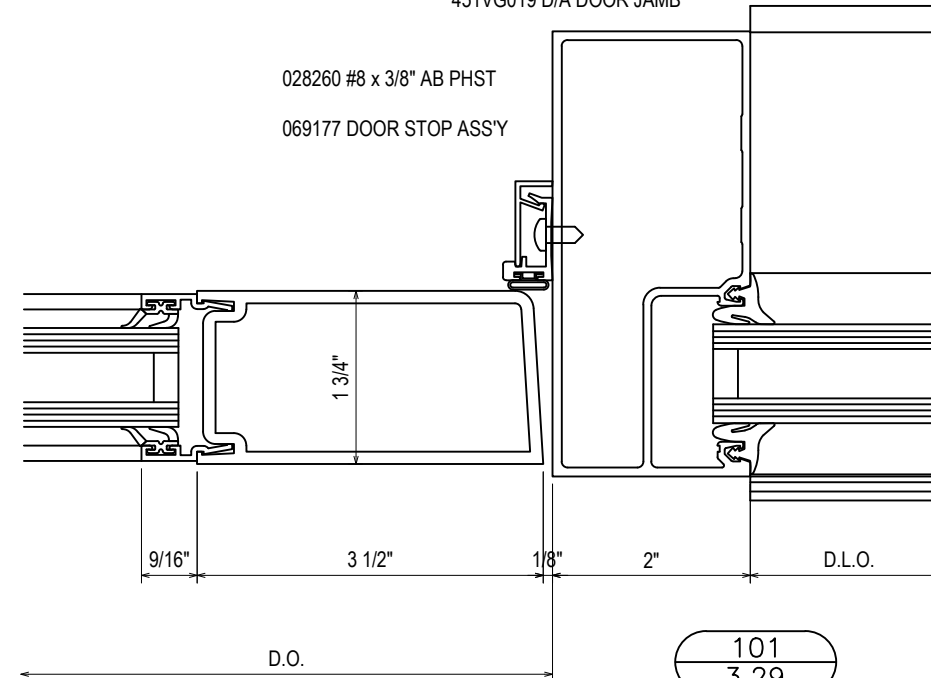
028260 #8 x 3/8" AB PHST  
 069177 DOOR STOP ASS'Y



100  
 3.29  
 REF: N/A  
 F7 - F16

451VG019 D/A DOOR JAMB

028260 #8 x 3/8" AB PHST  
 069177 DOOR STOP ASS'Y



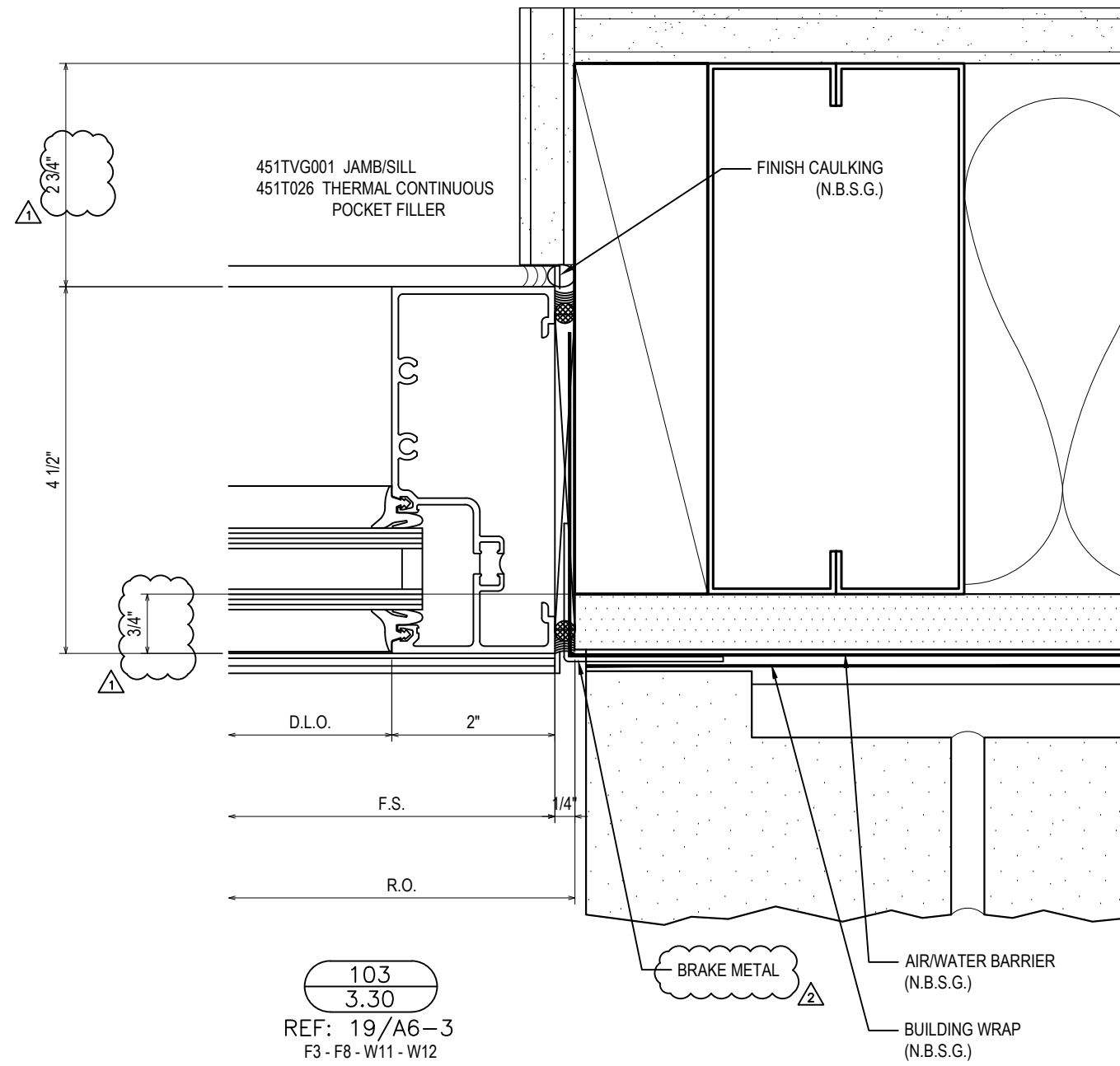
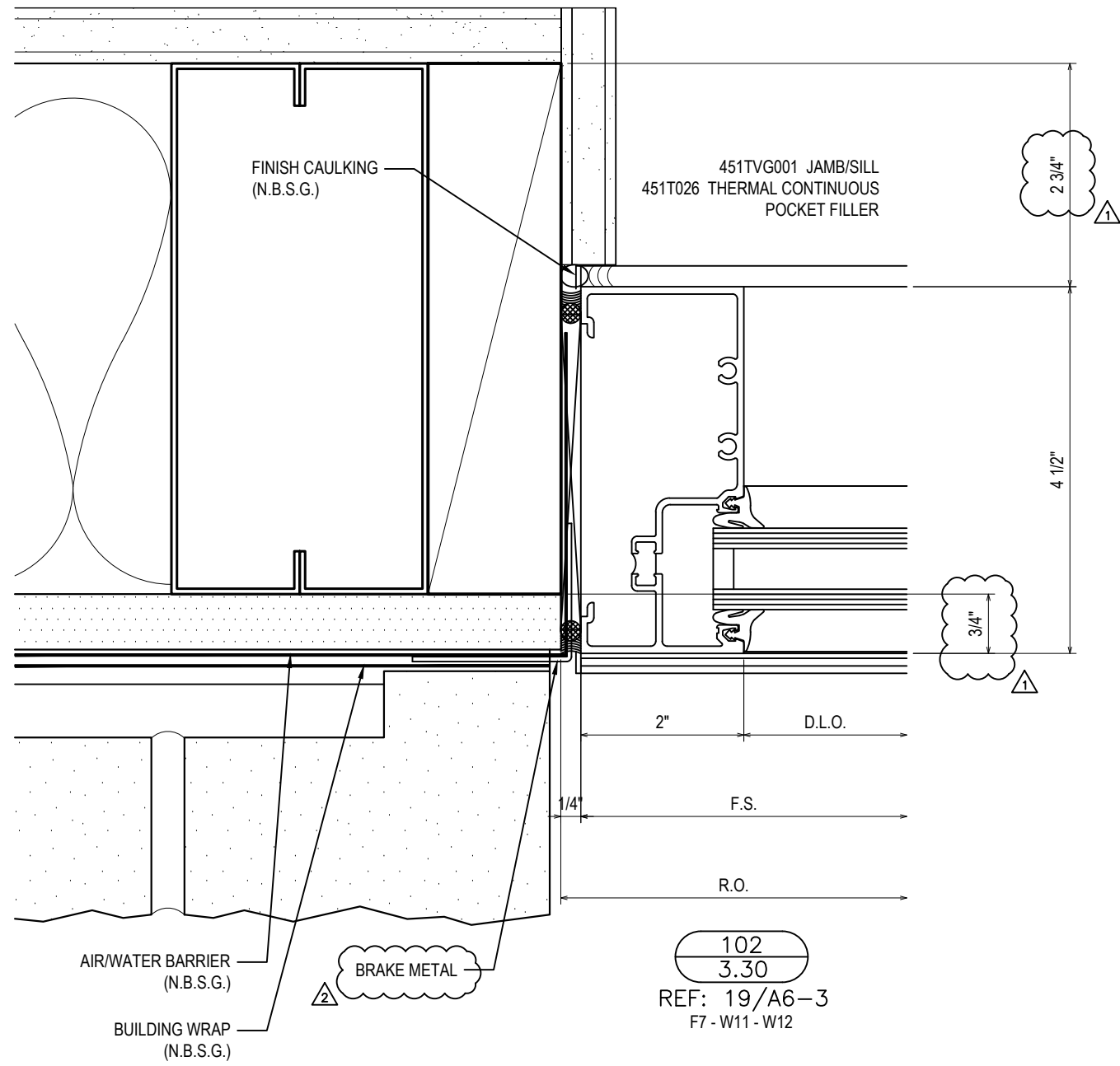
101  
 3.29  
 REF: N/A  
 F3 - F8 - F10 - F16 - F17

1ST SUBMISSION	01.07.20
1ST REVISION	01.23.20
2ND REVISION	03.11.20
NO	DATE
DESCRIPTION	DRAWING SUBMISSION

SPRINGFIELD GLASS COMPANY  
 2503 NORTH OAK GROVE AVE.  
 SPRINGFIELD, MO 65803  
 P: 417.883.6555

PROJECT: INNOVATIVE DENTAL  
 CENTER FOR GENERAL &  
 ADVANCED DENTISTRY  
 LOCATION: 3192 E. FARM ROAD 188  
 SPRINGFIELD, MO 65721

DRAWN BY:	DATE:
RA	01.07.20
CHECKED BY:	DATE:
TF	01.07.20



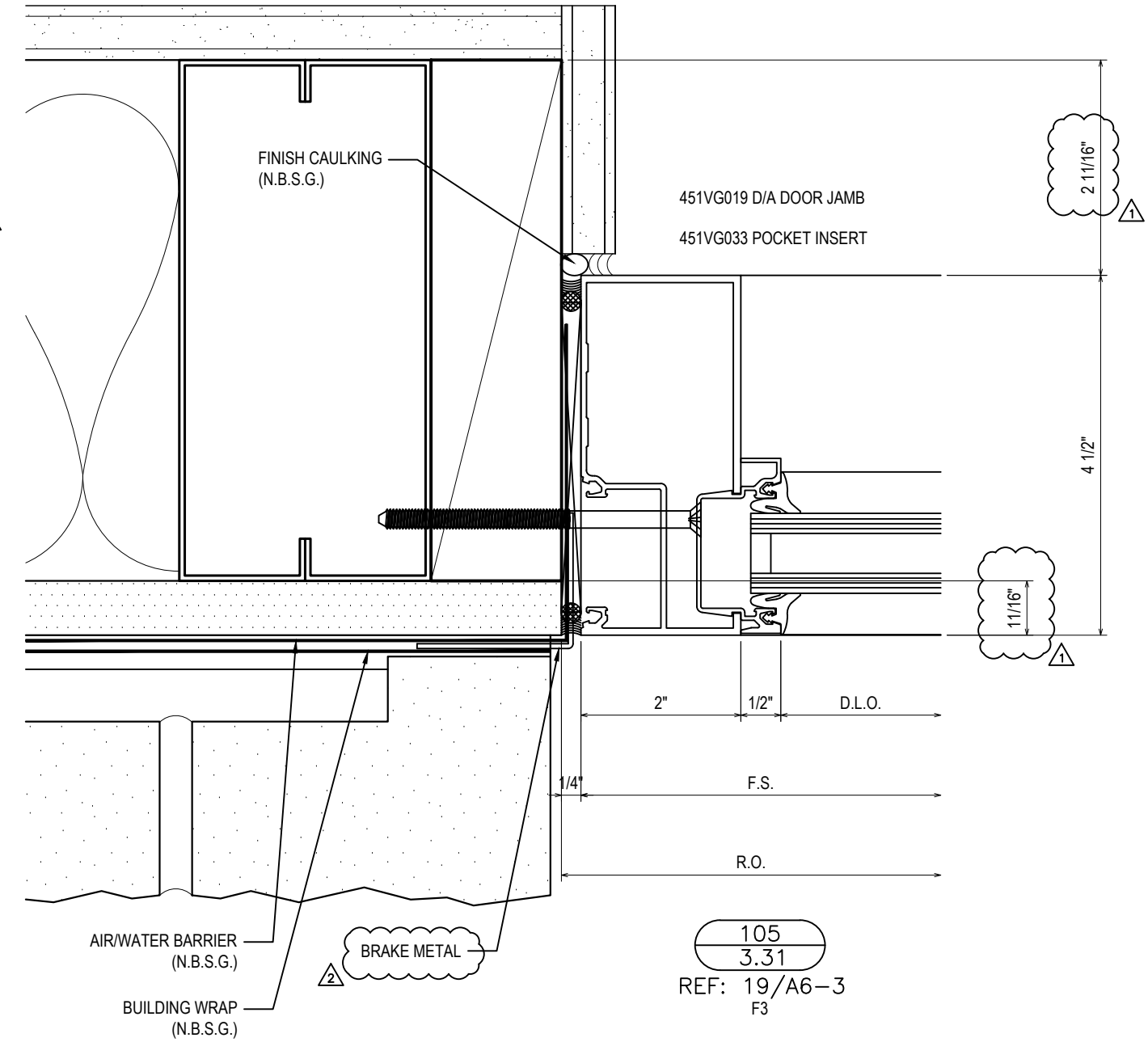
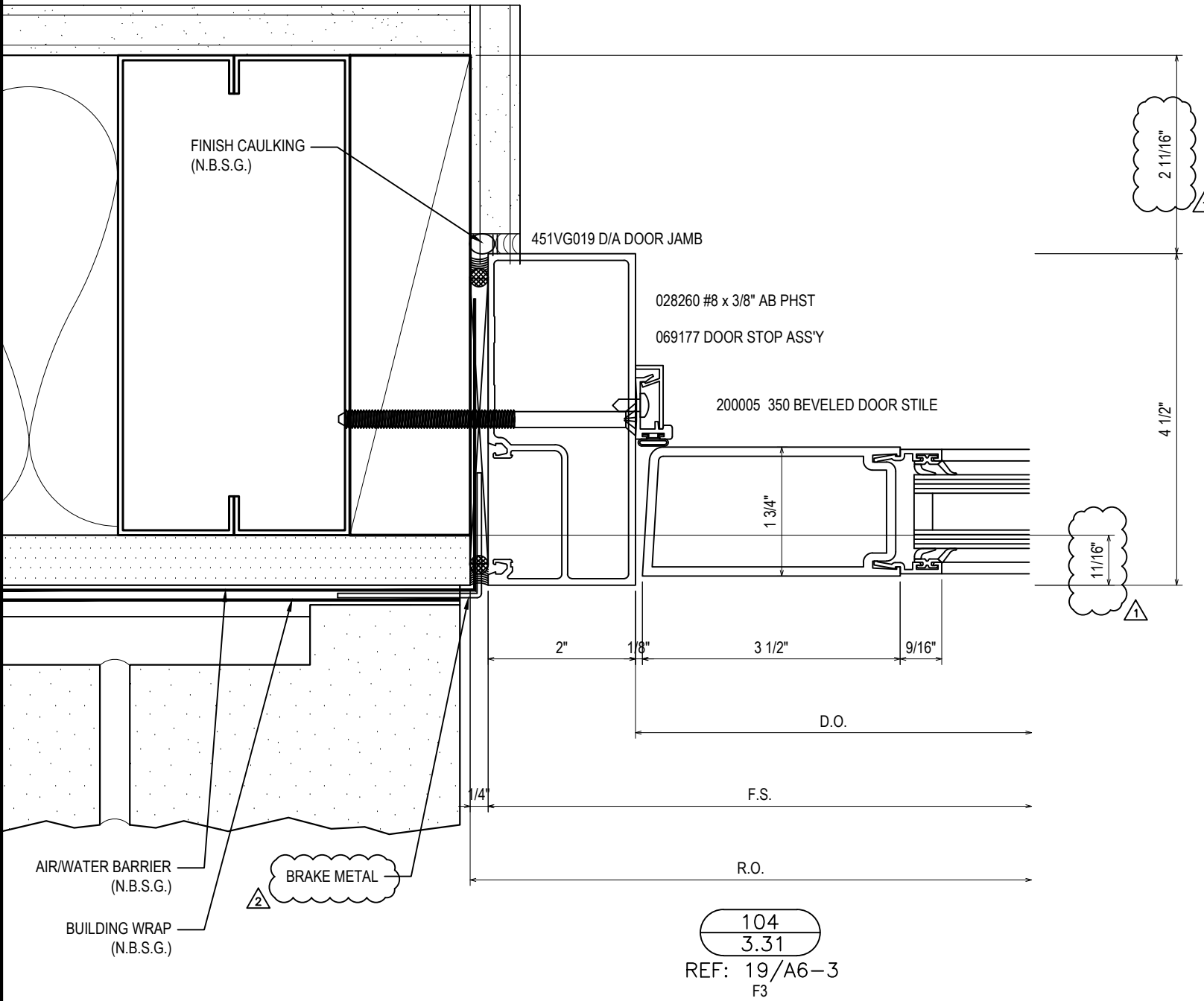
1ST SUBMISSION	01.07.20
1ST REVISION	01.23.20
2ND REVISION	03.11.20
NO	DESCRIPTION
DRAWING SUBMISSION	

SPRINGFIELD GLASS COMPANY  
2503 NORTH OAK GROVE AVE.  
SPRINGFIELD, MO 65803  
P: 417.883.6555

PROJECT: INNOVATIVE DENTAL  
CENTER FOR GENERAL &  
ADVANCED DENTISTRY

LOCATION: 3192 E. FARM ROAD 188  
SPRINGFIELD, MO 65721

DRAWN BY:	DATE:
RA	01.07.20
CHECKED BY:	DATE:
TF	01.07.20

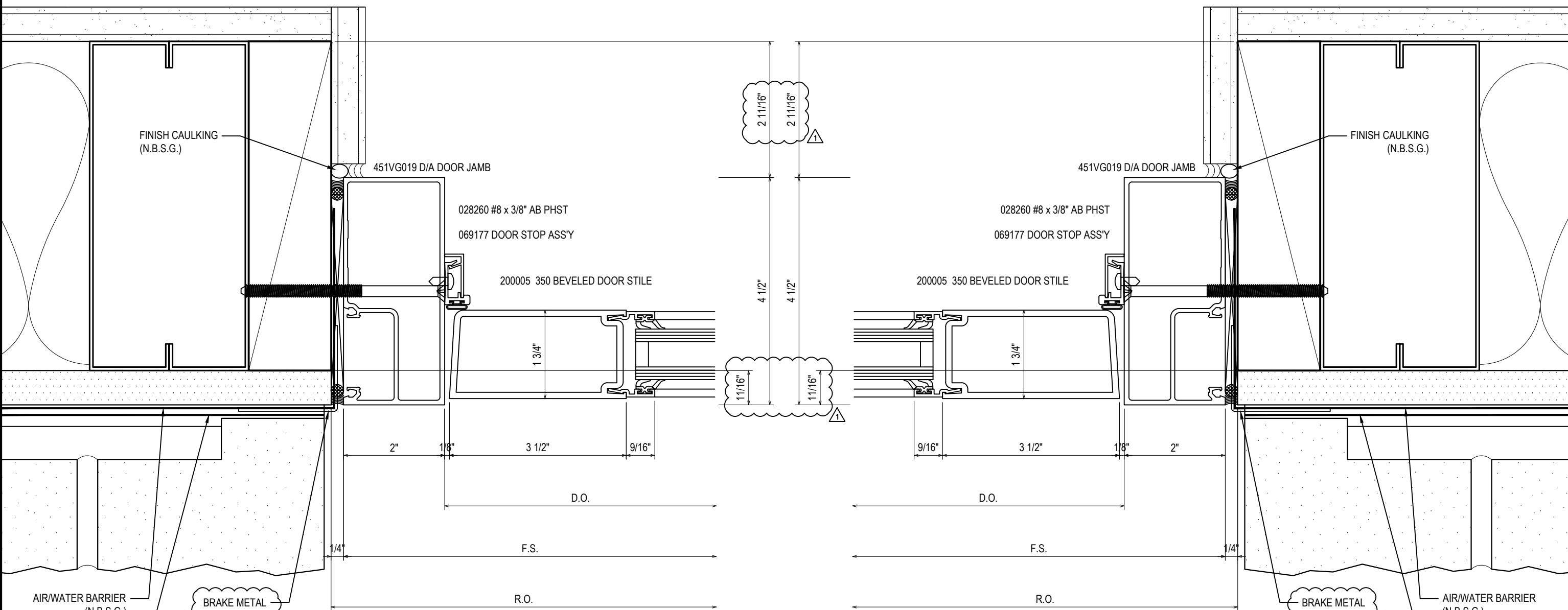


1ST SUBMISSION	01.07.20
1ST REVISION	01.23.20
2ND REVISION	03.11.20
NO	DESCRIPTION
	DRAWING SUBMISSION

SPRINGFIELD GLASS COMPANY  
 2503 NORTH OAK GROVE AVE.  
 SPRINGFIELD, MO 65803  
 P: 417.883.6555

PROJECT: INNOVATIVE DENTAL  
 CENTER FOR GENERAL &  
 ADVANCED DENTISTRY  
 LOCATION: 3192 E. FARM ROAD 188  
 SPRINGFIELD, MO 65721

DRAWN BY:	DATE:
RA	01.07.20
CHECKED BY:	DATE:
TF	01.07.20



106  
3.32  
REF: 19/A6-3  
F8

ARCH. NOTE: PLEASE VERIFY IF  
FLASHING IS NEEDED AT THIS LOCATION.

107  
3.32  
REF: 19/A6-3  
F7

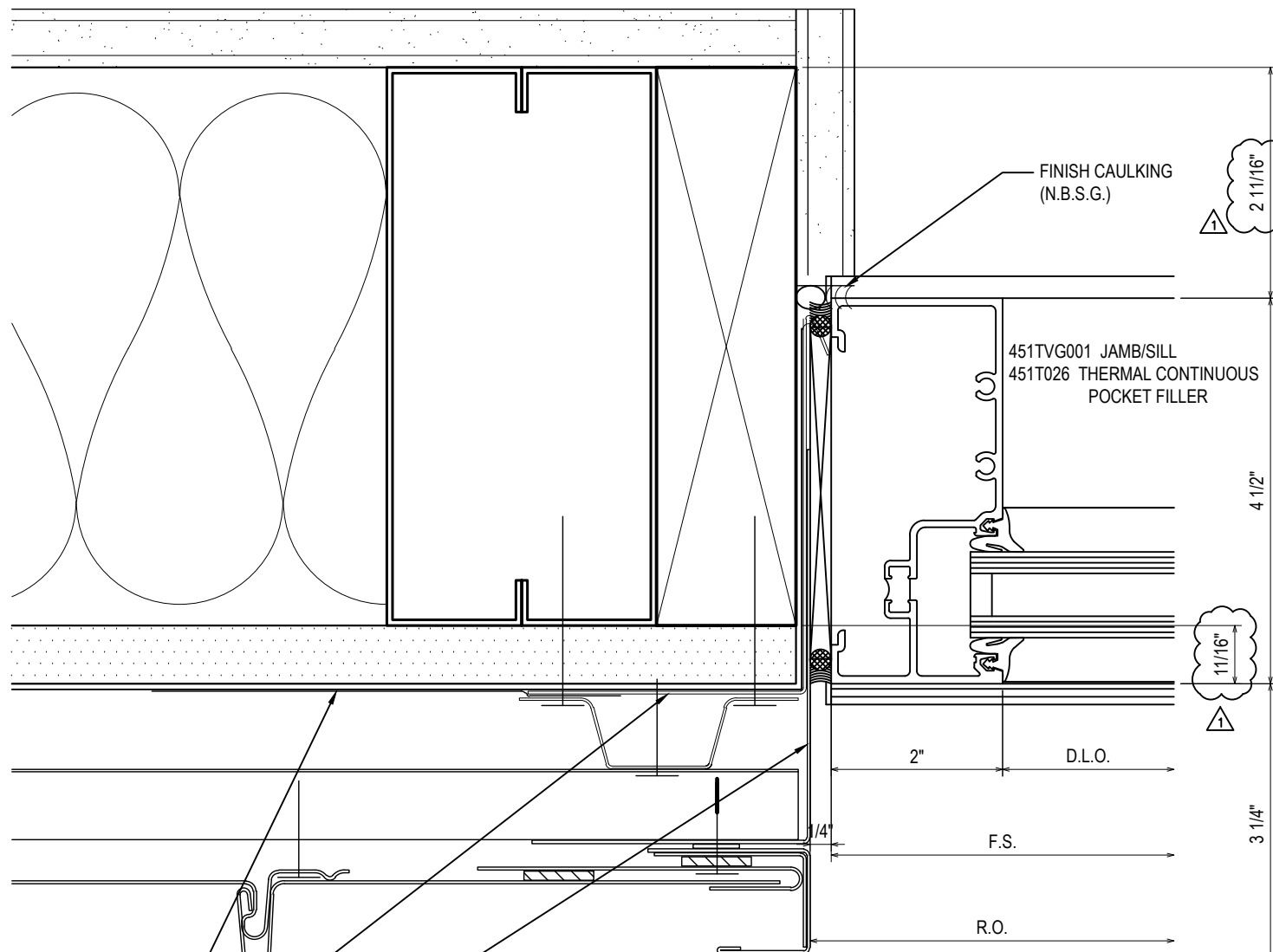
1ST SUBMISSION	01.07.20
1ST REVISION	01.23.20
2ND REVISION	03.11.20
NO	DESCRIPTION
	DRAWING SUBMISSION

SPRINGFIELD GLASS COMPANY  
2503 NORTH OAK GROVE AVE.  
SPRINGFIELD, MO 65803  
P: 417.883.6555

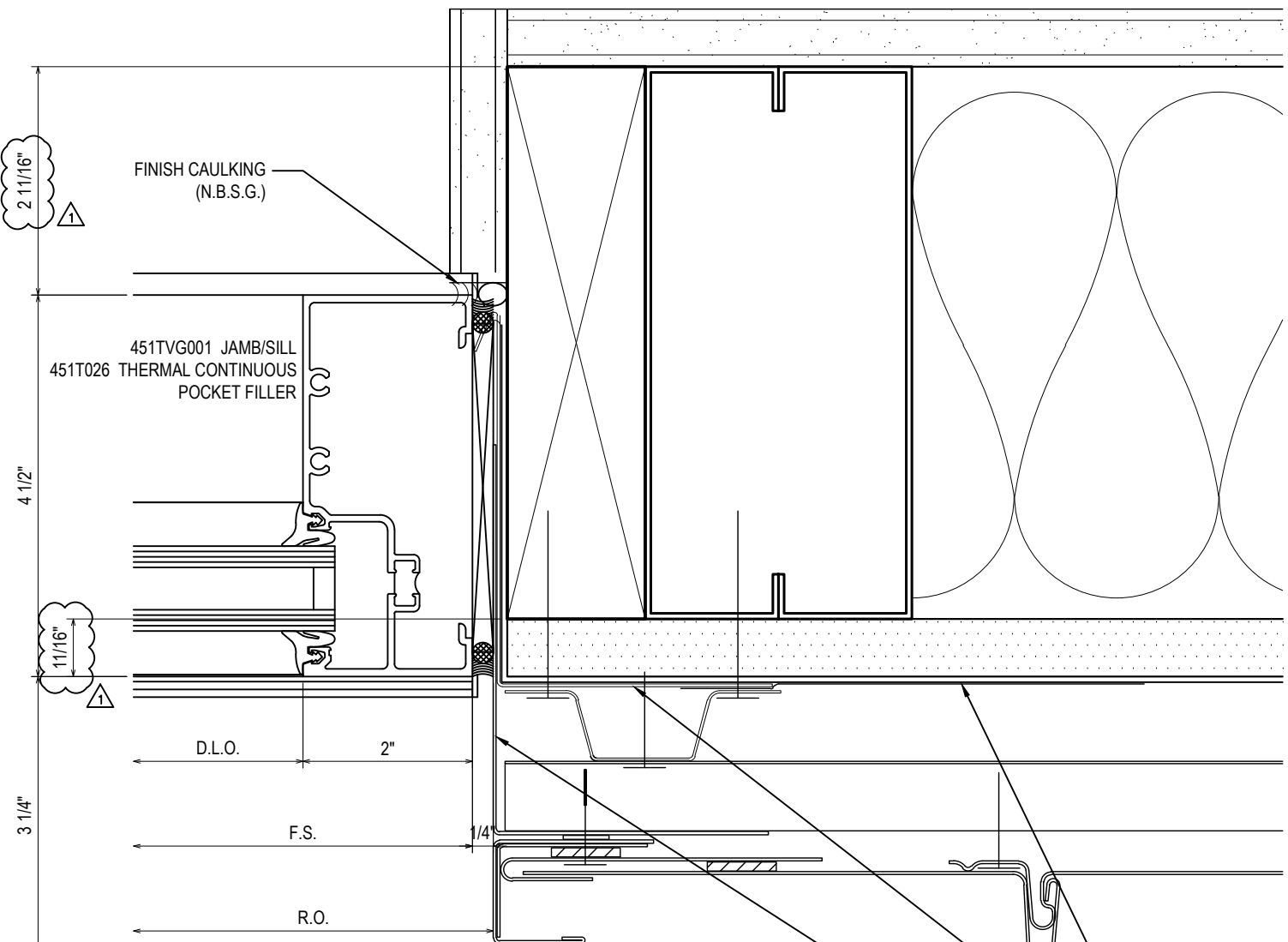
PROJECT: INNOVATIVE DENTAL  
CENTER FOR GENERAL &  
ADVANCED DENTISTRY

LOCATION: 3192 E. FARM ROAD 188  
SPRINGFIELD, MO 65721

DRAWN BY:	DATE:
RA	01.07.20
CHECKED BY:	DATE:
TF	01.07.20



108  
3.33  
REF: 26/A6-3  
F16 - W15 - W22



109  
3.33  
REF: 26/A6-3  
F16 - F17 - W15 - W22

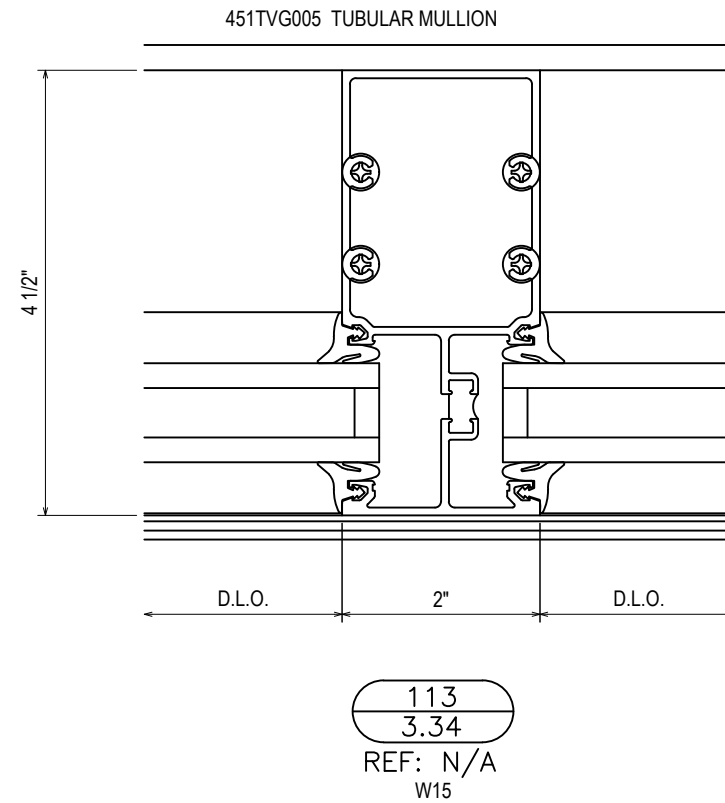
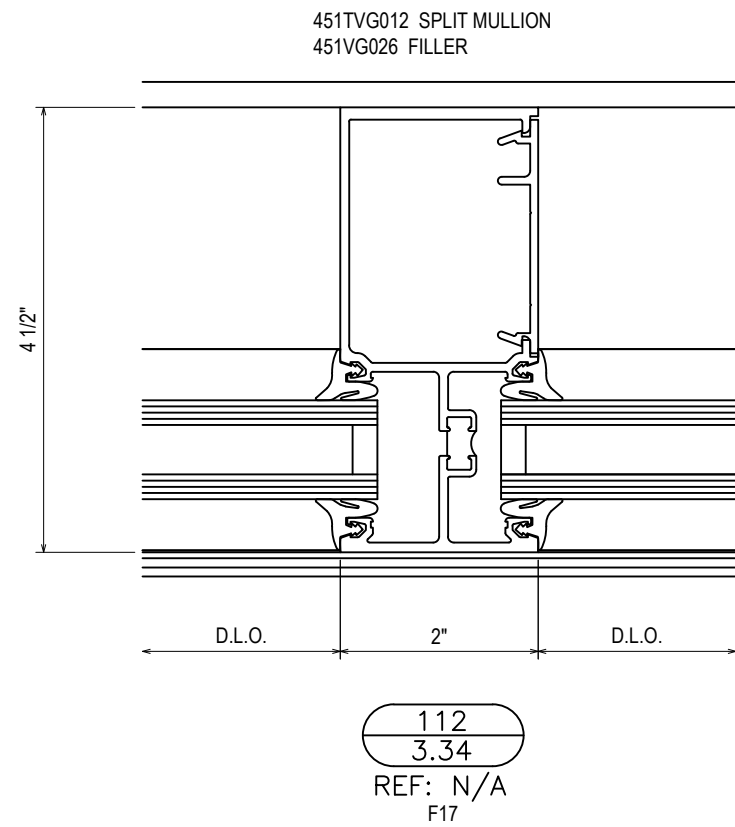
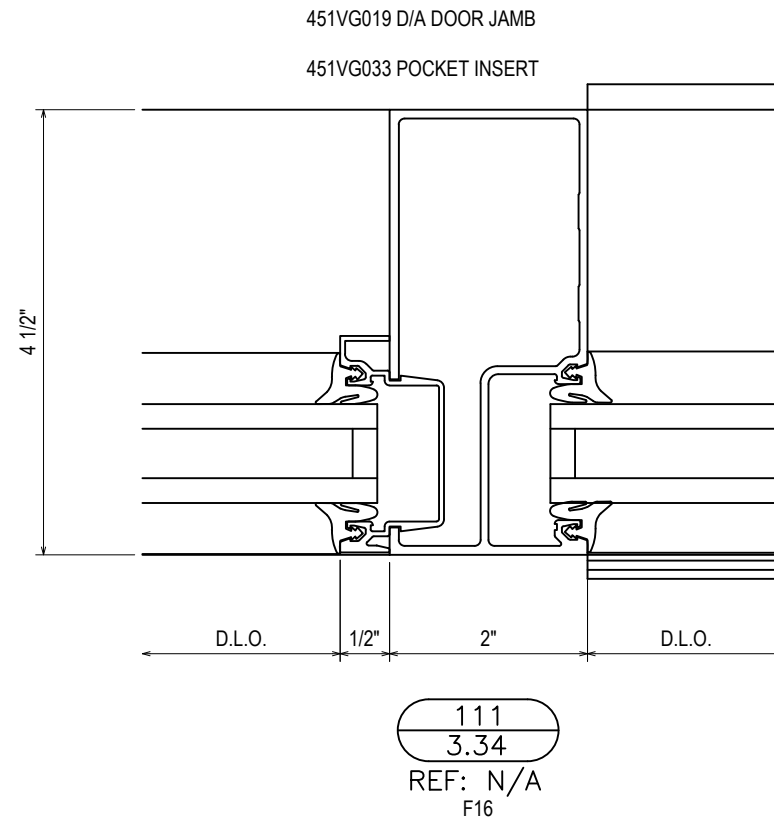
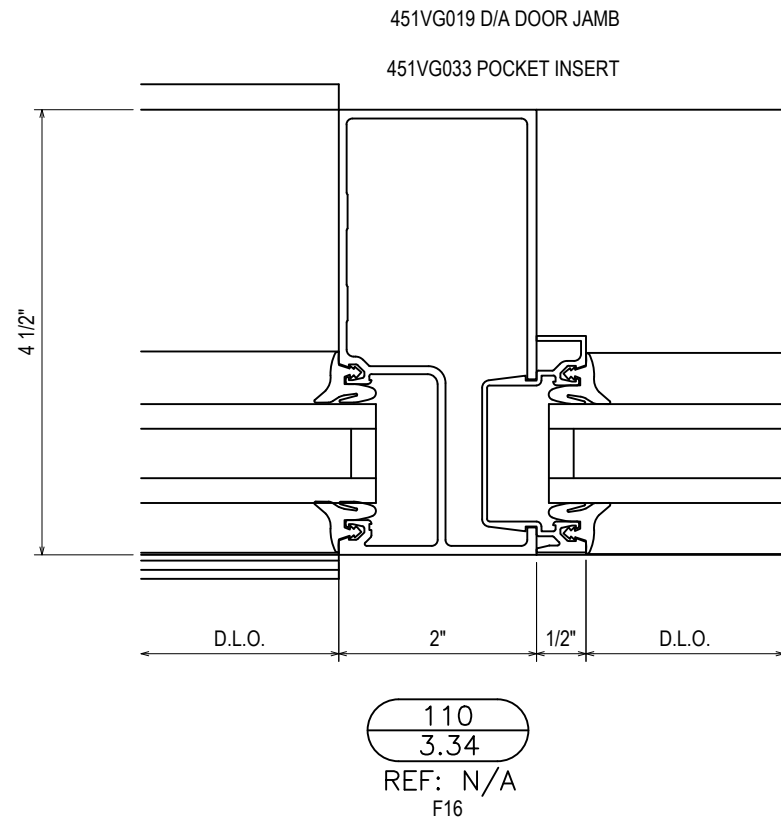
1ST SUBMISSION	01.07.20
1ST REVISION	01.23.20
2ND REVISION	03.11.20
NO	DATE
DRAWING SUBMISSION	

SPRINGFIELD GLASS COMPANY  
2503 NORTH OAK GROVE AVE.  
SPRINGFIELD, MO 65803  
P: 417.883.6555

PROJECT: INNOVATIVE DENTAL  
CENTER FOR GENERAL &  
ADVANCED DENTISTRY  
LOCATION: 3192 E. FARM ROAD 188  
SPRINGFIELD, MO 65721

DRAWN BY:	RA	DATE:	01.07.20
CHECKED BY:	TF	DATE:	01.07.20





1ST SUBMISSION	01.07.20
1ST REVISION	01.23.20
2ND REVISION	03.11.20
NO	DATE
DRAWING SUBMISSION	

PROJECT: INNOVATIVE DENTAL  
CENTER FOR GENERAL &  
ADVANCED DENTISTRY

LOCATION: 3192 E. FARM ROAD 188  
SPRINGFIELD, MO 65721

SPRINGFIELD GLASS COMPANY  
2503 NORTH OAK GROVE AVE.  
SPRINGFIELD, MO 65803  
P: 417.883.6555

DRAWN BY:	DATE:
RA	01.07.20
CHECKED BY:	DATE:
TF	01.07.20

PROJECT: INNOVATIVE DENTAL CENTER FOR GENERAL & ADVANCED DENTISTRY	
LOCATION: 3192 E. FARM ROAD 188 SPRINGFIELD, MO 65721	
DRAWN BY:	DATE:
RA	01.07.20
CHECKED BY:	DATE:
TF	01.07.20

AIRWATER BARRIER  
(N.B.S.G.)

ANGLE TRIM  
(N.B.S.G.)

FLASHING  
(N.B.S.G.)

HEAD TRIM  
(N.B.S.G.)

FINISH CAULKING  
(N.B.S.G.)

451TVG103 HEAD  
451T026 THERMAL CONTINUOUS  
POCKET FILLER  
451VG104 GLASS STOP

114  
3.35  
REF: 18/A6-3  
F10 - W16

115  
3.35  
REF: N/A  
F10

451SSG106 SSG RECEPTOR  
451SSG007 INSERT  
451SSG425 SETTING BLOCK CHAIR  
451TVG316 END DAM

BRAKE METAL

FINISH FLOOR & CAULKING  
(N.B.S.G.)

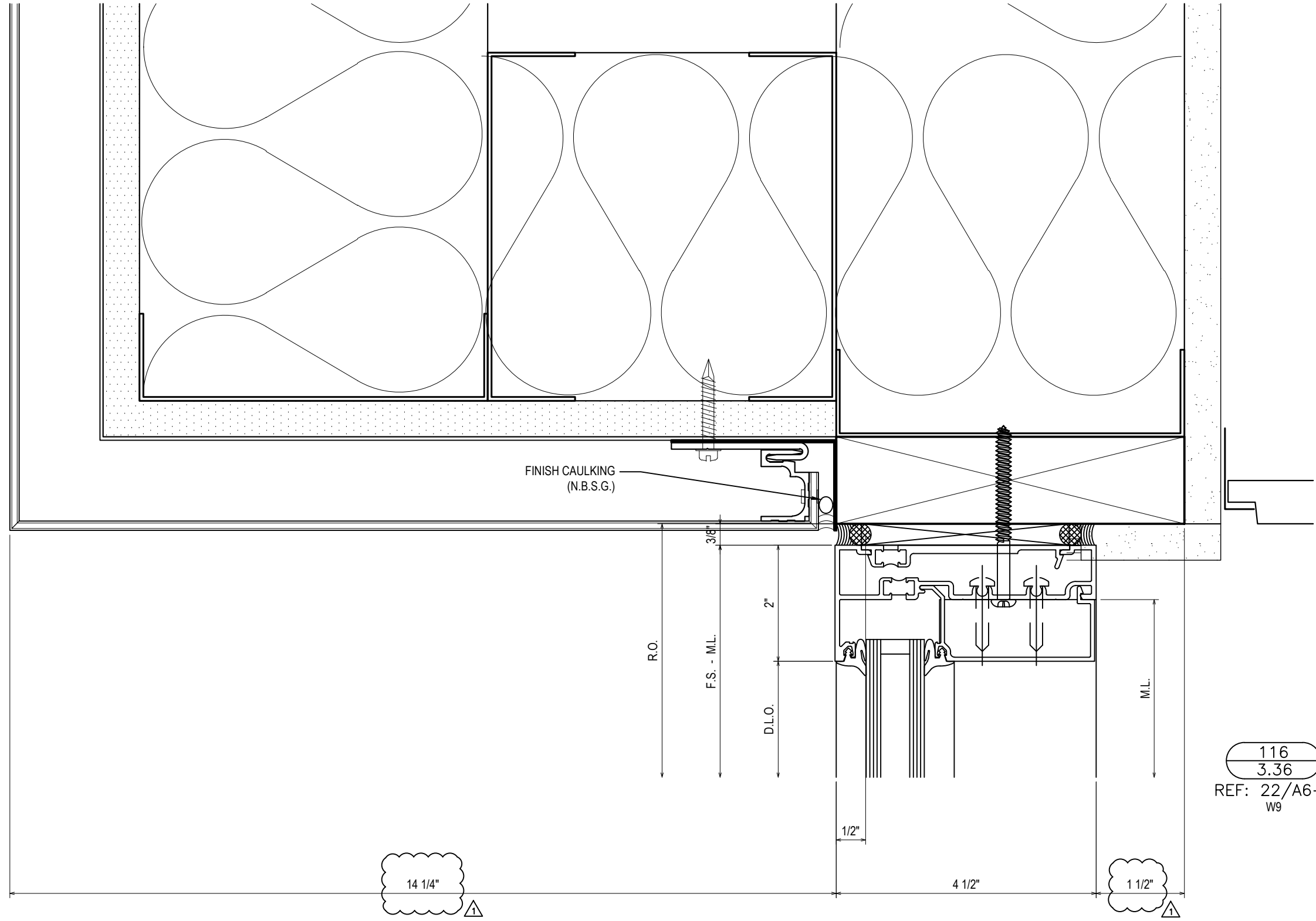
1ST SUBMISSION	01.07.20
1ST REVISION	01.23.20
2ND REVISION	03.11.20
NO	DATE
DRAWING SUBMISSION	

SPRINGFIELD GLASS COMPANY  
2503 NORTH OAK GROVE AVE.  
SPRINGFIELD, MO 65803  
P: 417.883.6555

PROJECT: INNOVATIVE DENTAL  
CENTER FOR GENERAL &  
ADVANCED DENTISTRY  
LOCATION: 3192 E. FARM ROAD 188  
SPRINGFIELD, MO 65721

DRAWN BY:	DATE:
RA	01.07.20
CHECKED BY:	DATE:
TF	01.07.20

3.35



116  
3.36  
REF: 22/A6-3  
W9

1ST SUBMISSION	01.07.20
1ST REVISION	01.23.20
2ND REVISION	03.11.20
NO	DESCRIPTION
	DRAWING SUBMISSION

SPRINGFIELD GLASS COMPANY  
2503 NORTH OAK GROVE AVE.  
SPRINGFIELD, MO 65803  
P: 417.883.6555

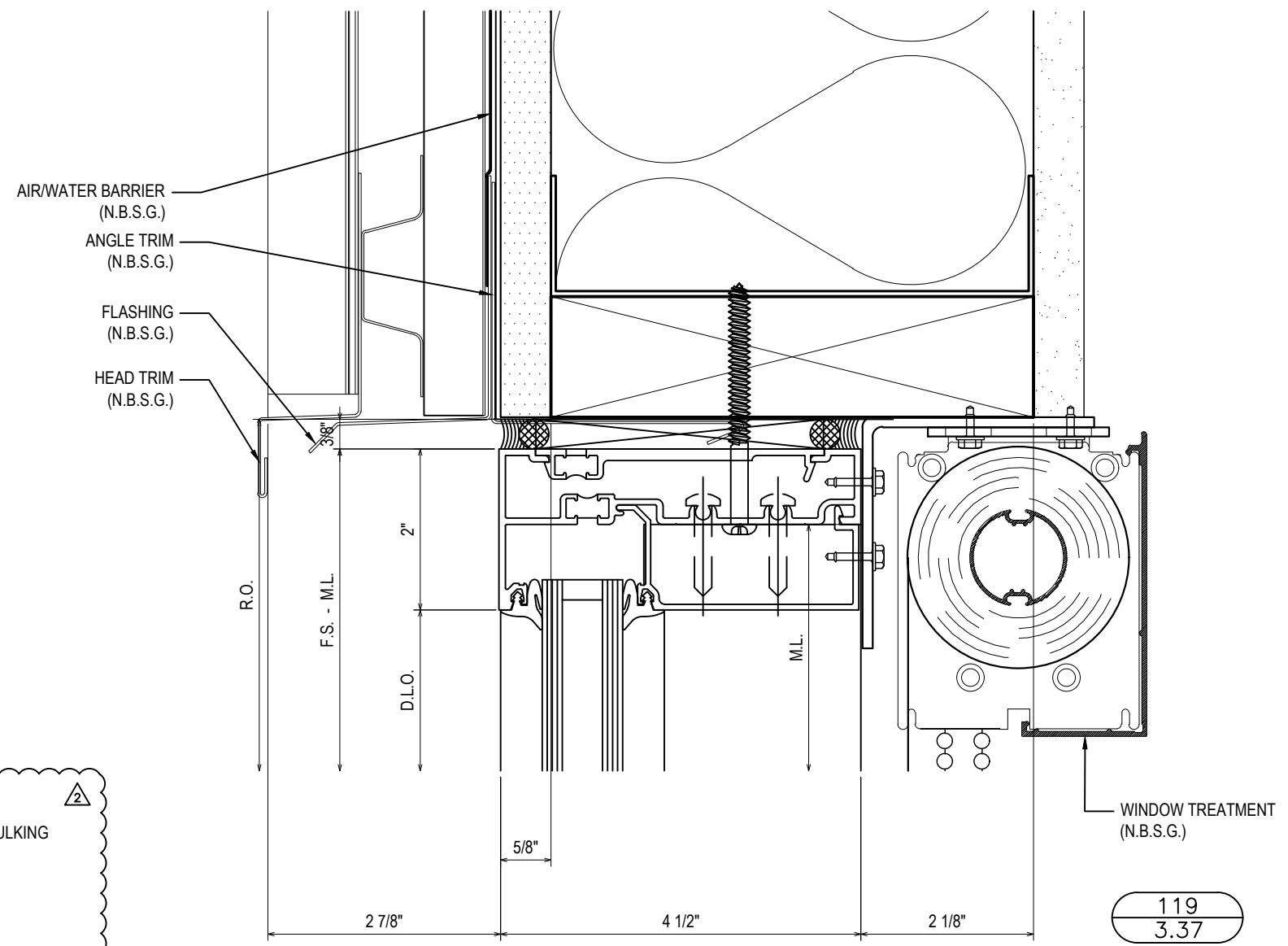
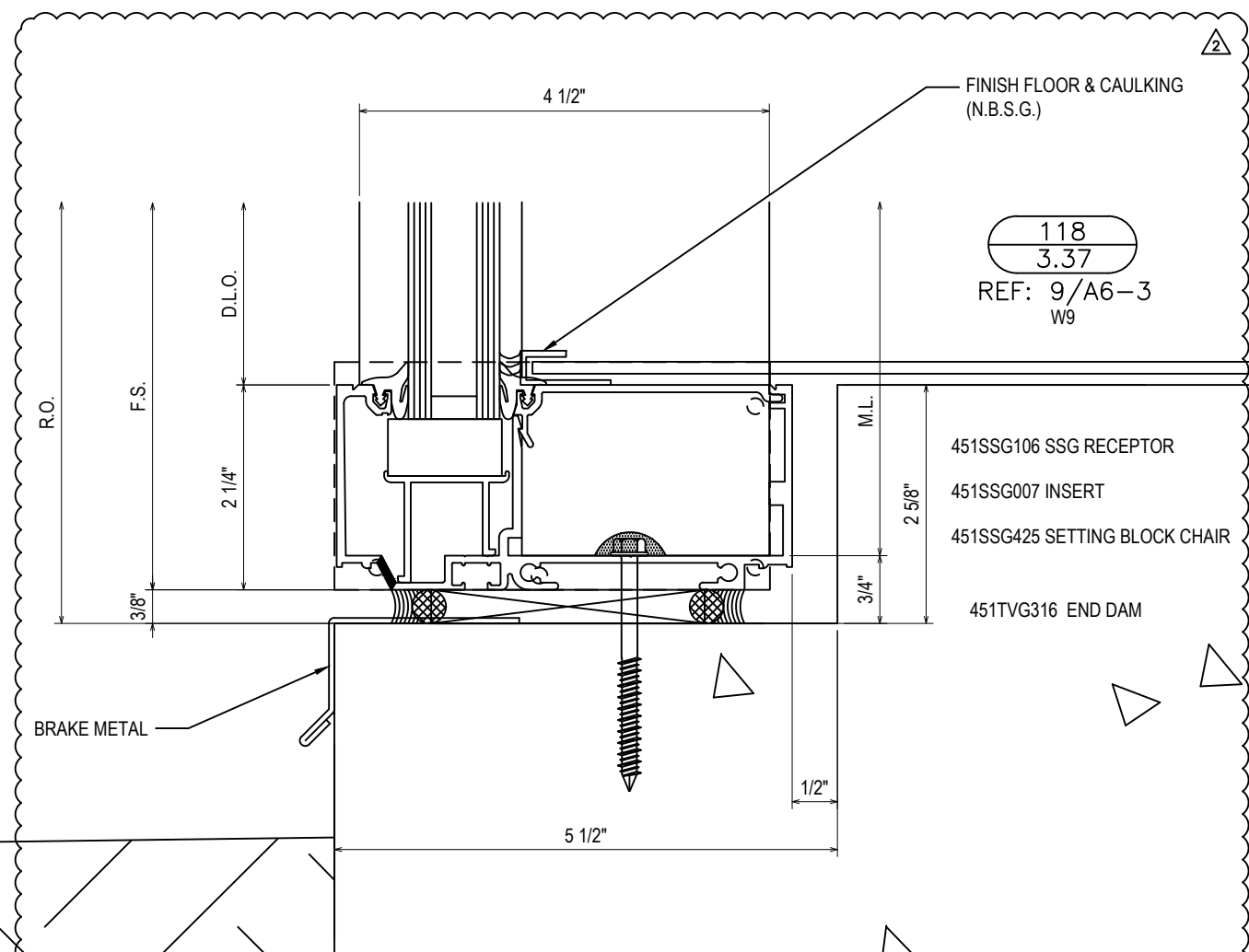
PROJECT: INNOVATIVE DENTAL  
CENTER FOR GENERAL &  
ADVANCED DENTISTRY

LOCATION: 3192 E. FARM ROAD 188  
SPRINGFIELD, MO 65721

DRAWN BY:	DATE:
RA	01.07.20
CHECKED BY:	DATE:
TF	01.07.20

DETAIL NOT USED

117  
3.37  
REF: N/A



1ST SUBMISSION	01.07.20
1ST REVISION	01.23.20
2ND REVISION	03.11.20
NO	DATE
DRAWING SUBMISSION	

PROJECT: INNOVATIVE DENTAL  
CENTER FOR GENERAL &  
ADVANCED DENTISTRY

LOCATION: 3192 E. FARM ROAD 188  
SPRINGFIELD, MO 65721

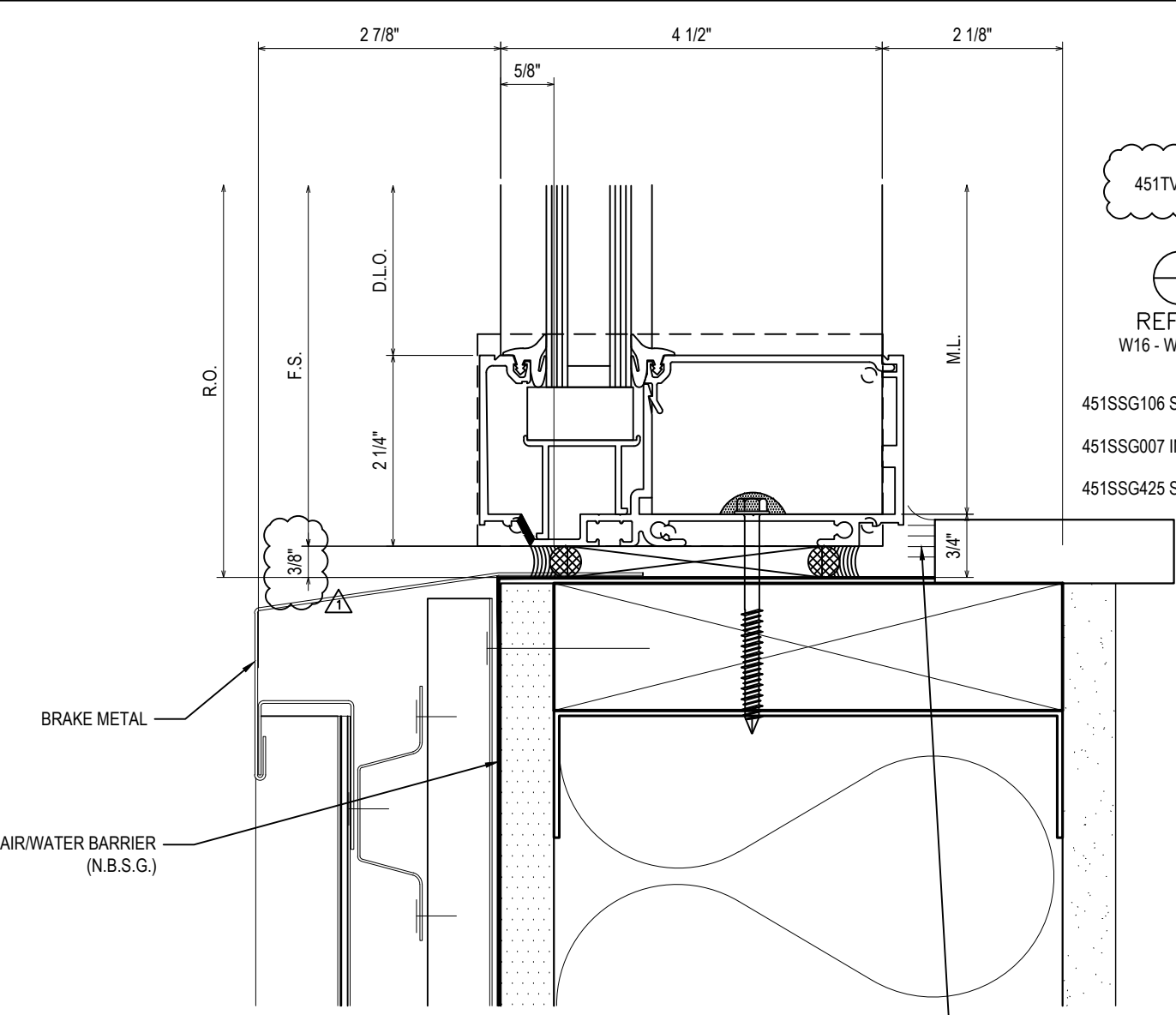
SPRINGFIELD GLASS COMPANY  
2503 NORTH OAK GROVE AVE.  
SPRINGFIELD, MO 65803  
P: 417.883.6555

119  
3.37  
REF: 13/A6-3  
W18 - W19 - W20 - W21

PROJECT: INNOVATIVE DENTAL  
CENTER FOR GENERAL &  
ADVANCED DENTISTRY

LOCATION: 3192 E. FARM ROAD 188  
SPRINGFIELD, MO 65721

DRAWN BY: RA	DATE: 01.07.20
CHECKED BY: TF	DATE: 01.07.20

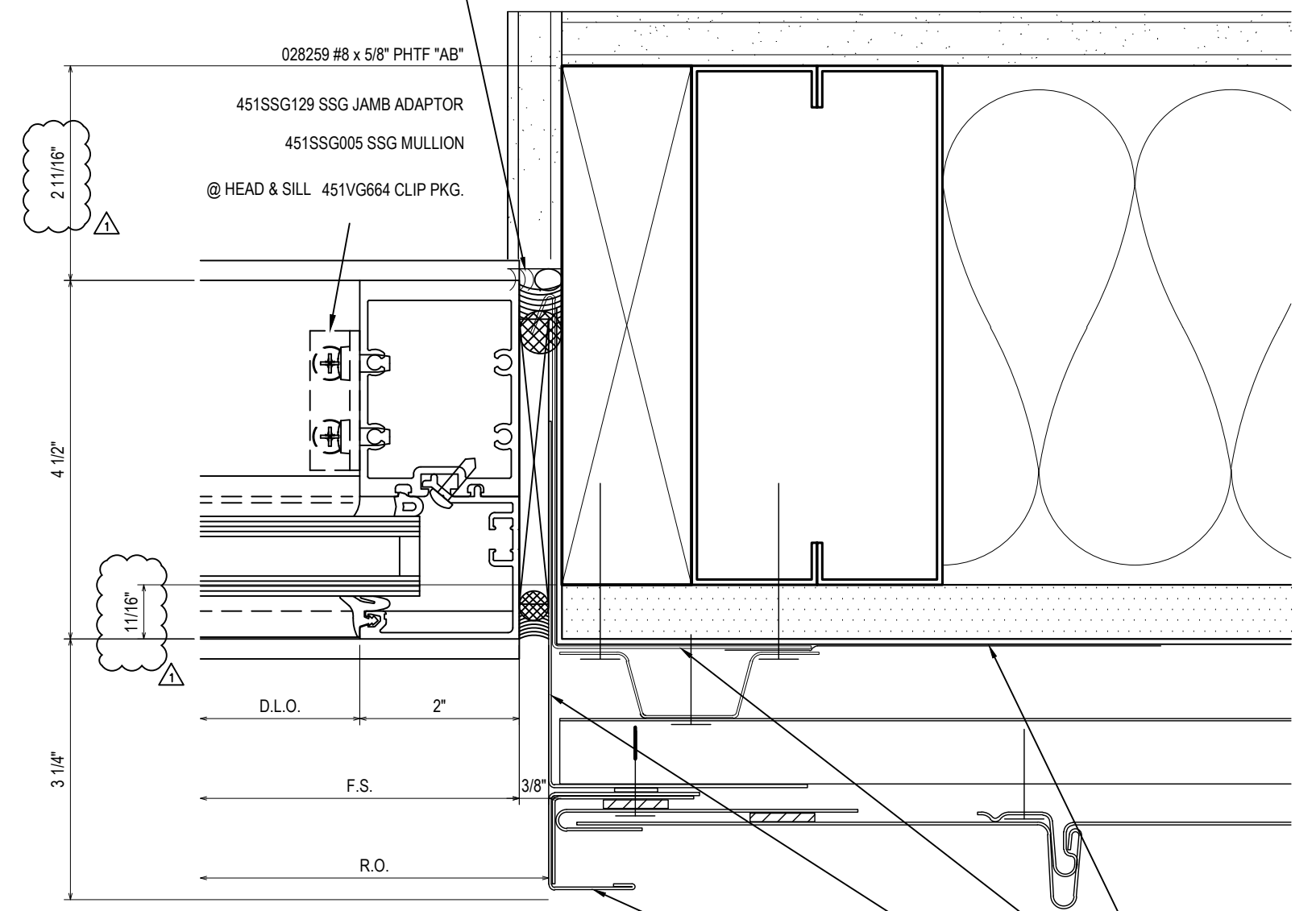


451TVG316 END DAM

120  
3.38

REF: 27/A6-3  
W16 - W18 - W19 - W20 - W21

451SSG106 SSG RECEPTOR  
451SSG007 INSERT  
451SSG425 SETTING BLOCK CHAIR



121  
3.38

REF: 26/A6-3  
F10 - W16 - W18 - W19 - W21

1ST SUBMISSION	01.07.20
1ST REVISION	01.23.20
2ND REVISION	03.11.20
NO	DATE
DRAWING SUBMISSION	

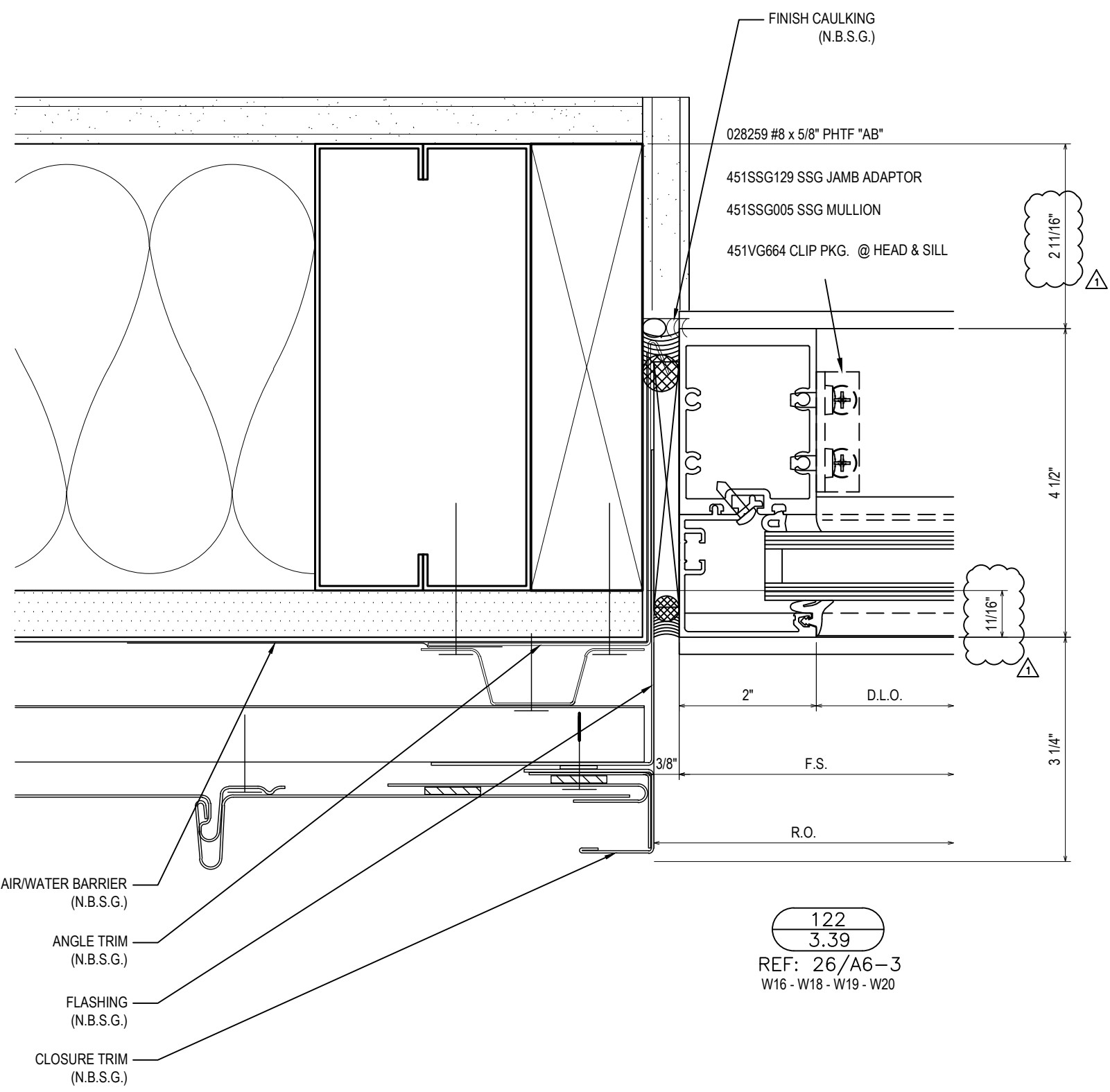
PROJECT: INNOVATIVE DENTAL  
CENTER FOR GENERAL &  
ADVANCED DENTISTRY

LOCATION: 3192 E. FARM ROAD 188  
SPRINGFIELD, MO 65721

SPRINGFIELD GLASS COMPANY  
2503 NORTH OAK GROVE AVE.  
SPRINGFIELD, MO 65803  
P: 417.883.6555

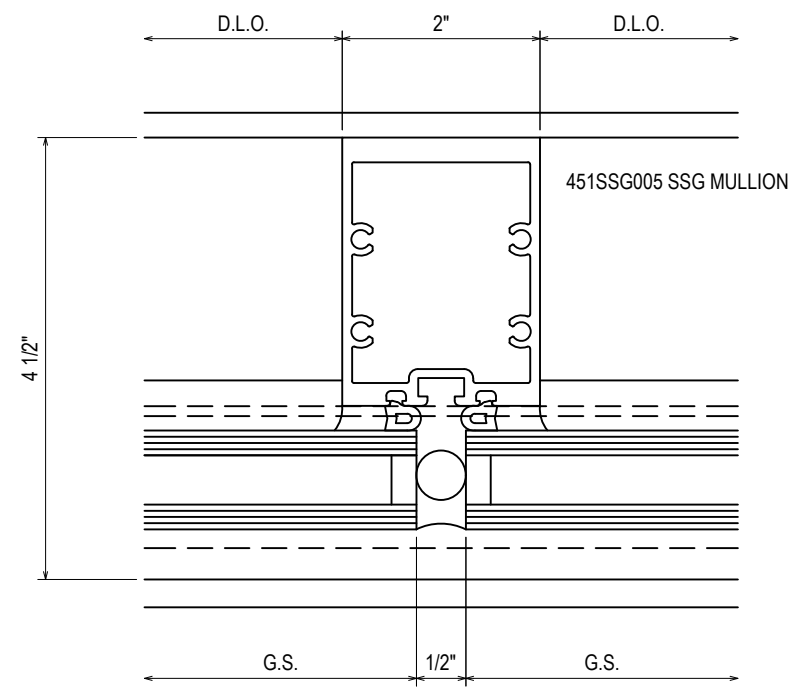
DRAWN BY:	DATE:
RA	01.07.20
CHECKED BY:	DATE:
TF	01.07.20

PROJECT: INNOVATIVE DENTAL CENTER FOR GENERAL & ADVANCED DENTISTRY	
LOCATION: 3192 E. FARM ROAD 188 SPRINGFIELD, MO 65721	
DRAWN BY:	DATE:
RA	01.07.20
CHECKED BY:	DATE:
TF	01.07.20



AIR/WATER BARRIER (N.B.S.G.)  
 ANGLE TRIM (N.B.S.G.)  
 FLASHING (N.B.S.G.)  
 CLOSURE TRIM (N.B.S.G.)

122  
 3.39  
 REF: 26/A6-3  
 W16 - W18 - W19 - W20



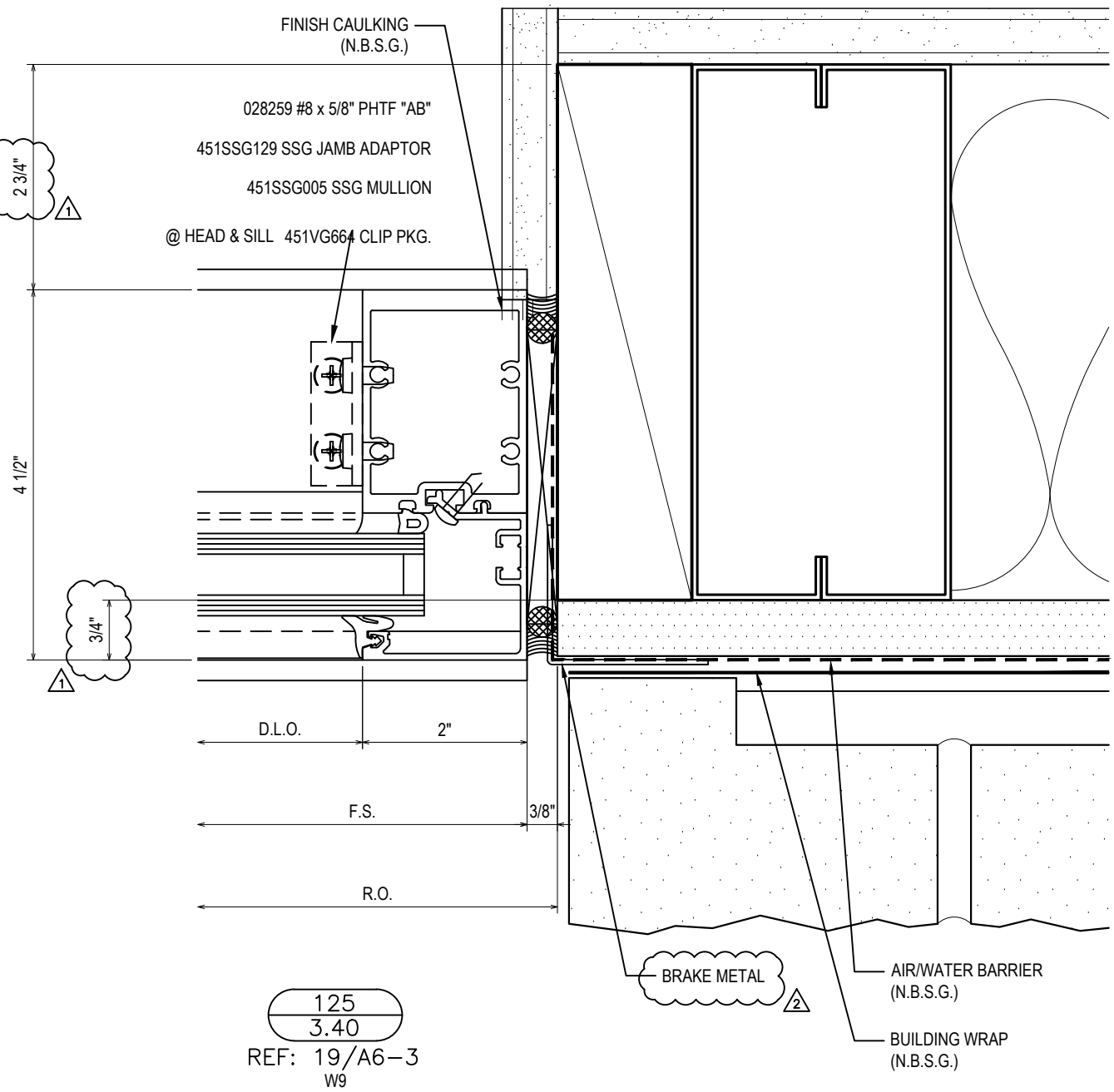
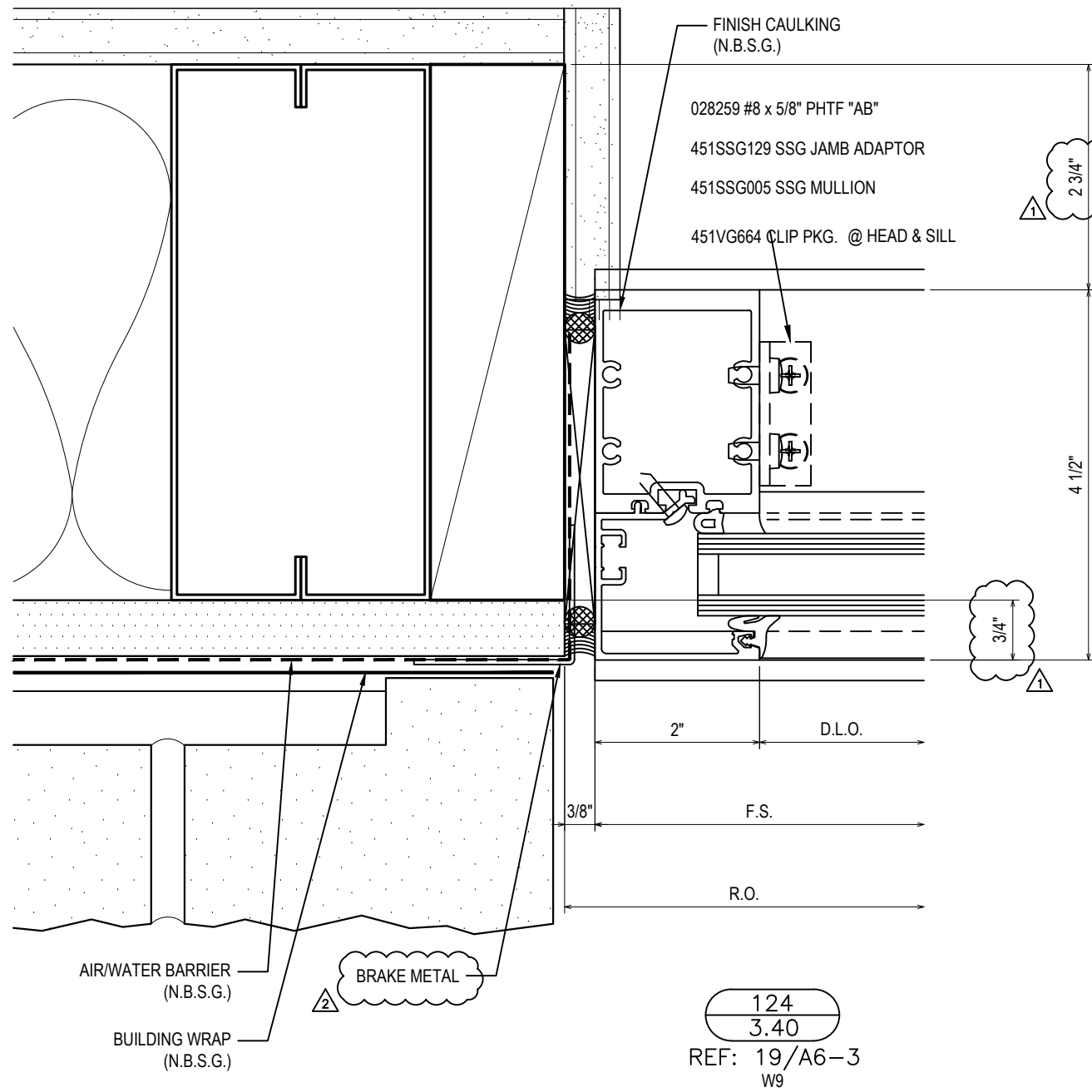
123  
 3.39  
 REF: N/A  
 F10 - W9 - W16 - W18 - W19  
 W20 - W21

1ST SUBMISSION	01.07.20
1ST REVISION	01.23.20
2ND REVISION	03.11.20
NO	DATE
DRAWING SUBMISSION	

SPRINGFIELD GLASS COMPANY  
 2503 NORTH OAK GROVE AVE.  
 SPRINGFIELD, MO 65803  
 P: 417.883.6555

PROJECT: INNOVATIVE DENTAL  
 CENTER FOR GENERAL &  
 ADVANCED DENTISTRY  
 LOCATION: 3192 E. FARM ROAD 188  
 SPRINGFIELD, MO 65721

DRAWN BY:	DATE:
RA	01.07.20
CHECKED BY:	DATE:
TF	01.07.20



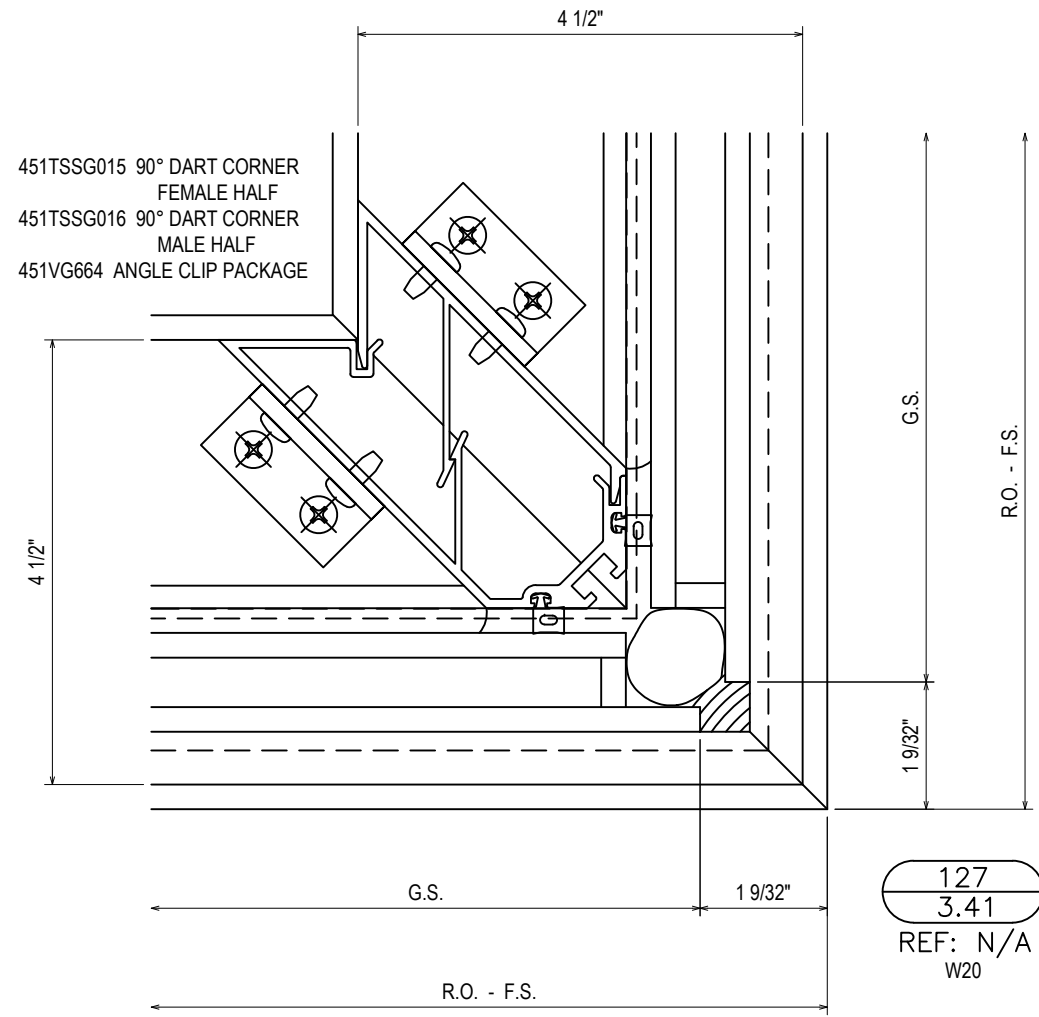
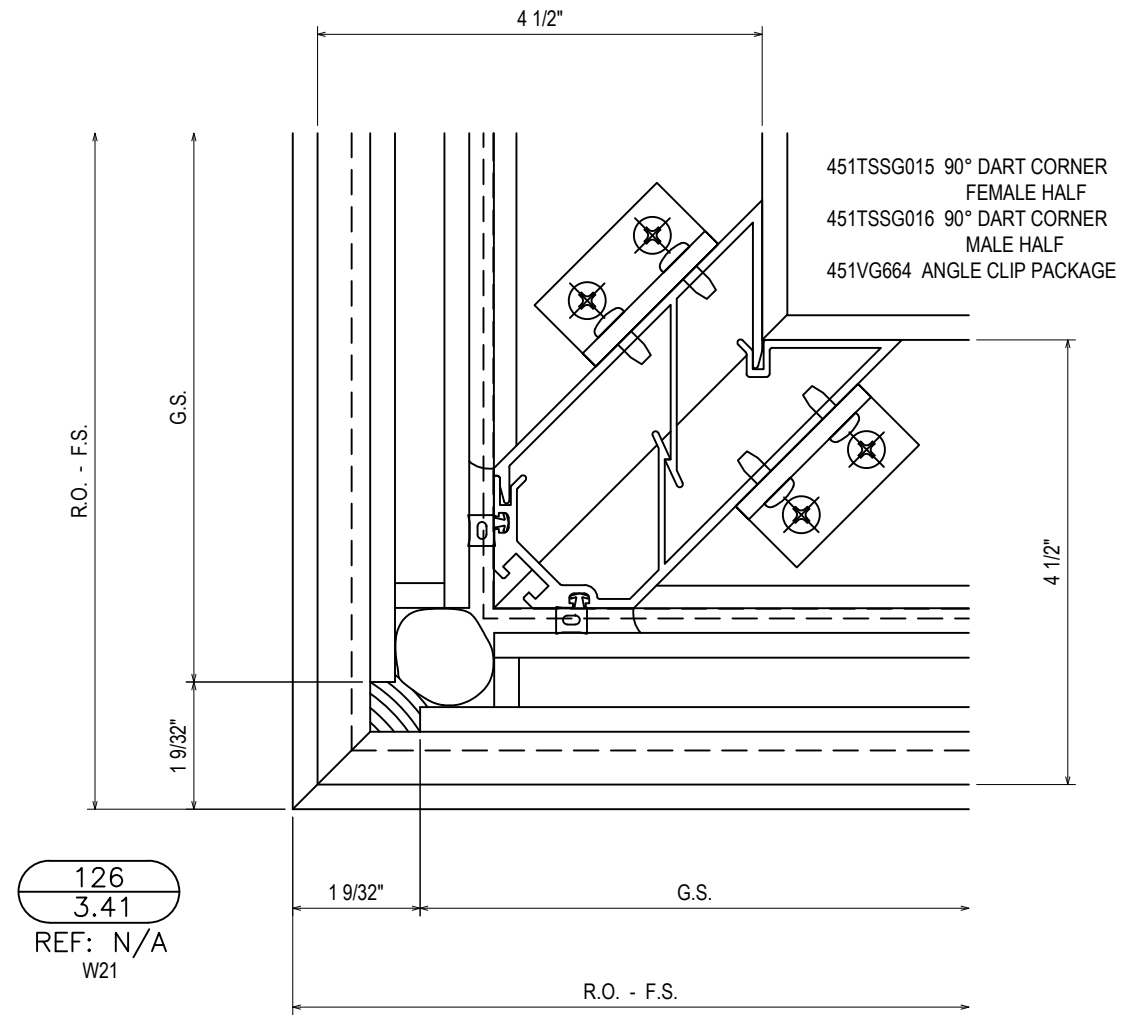
1ST SUBMISSION	01.07.20
1ST REVISION	01.23.20
2ND REVISION	03.11.20
NO	DESCRIPTION
	DRAWING SUBMISSION

SPRINGFIELD GLASS COMPANY  
 2503 NORTH OAK GROVE AVE.  
 SPRINGFIELD, MO 65803  
 P: 417.883.6555

PROJECT: INNOVATIVE DENTAL  
 CENTER FOR GENERAL &  
 ADVANCED DENTISTRY

LOCATION: 3192 E. FARM ROAD 188  
 SPRINGFIELD, MO 65721

DRAWN BY:	DATE:
RA	01.07.20
CHECKED BY:	DATE:
TF	01.07.20



NO	DESCRIPTION	DATE
1	1ST SUBMISSION	01.07.20
2	1ST REVISION	01.23.20
3	2ND REVISION	03.11.20

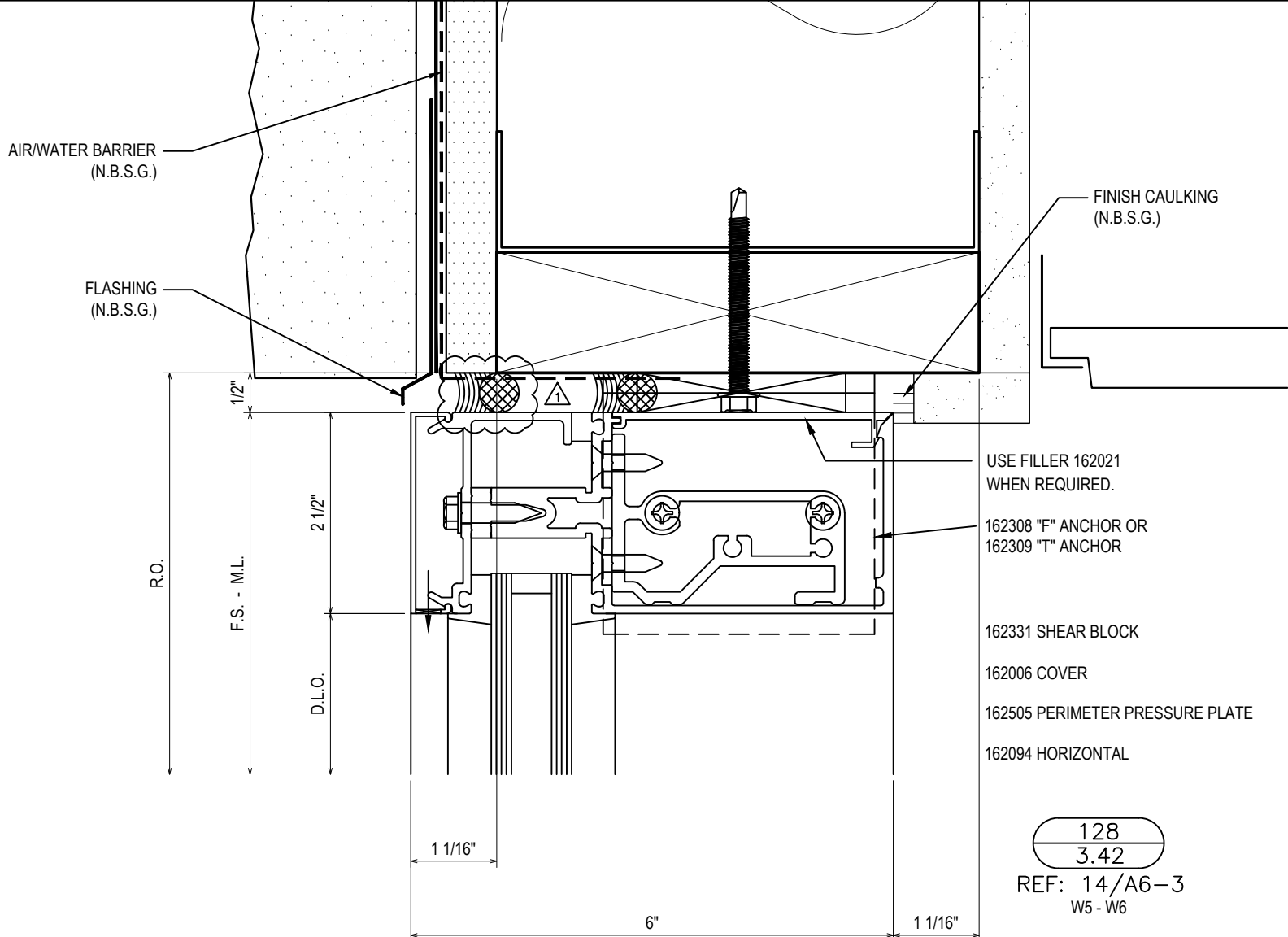
PROJECT: INNOVATIVE DENTAL  
CENTER FOR GENERAL &  
ADVANCED DENTISTRY  
LOCATION: 3192 E. FARM ROAD 188  
SPRINGFIELD, MO 65721

SPRINGFIELD GLASS COMPANY  
2503 NORTH OAK GROVE AVE.  
SPRINGFIELD, MO 65803  
P: 417.883.6555

DRAWN BY:	DATE:
RA	01.07.20
CHECKED BY:	DATE:
TF	01.07.20

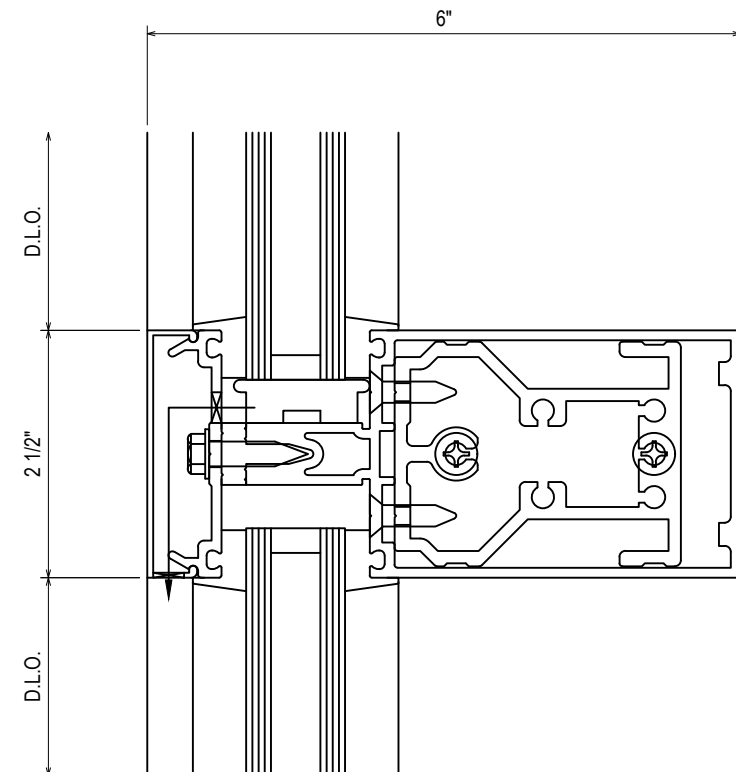
DRAWING SUBMISSION	
--------------------	--





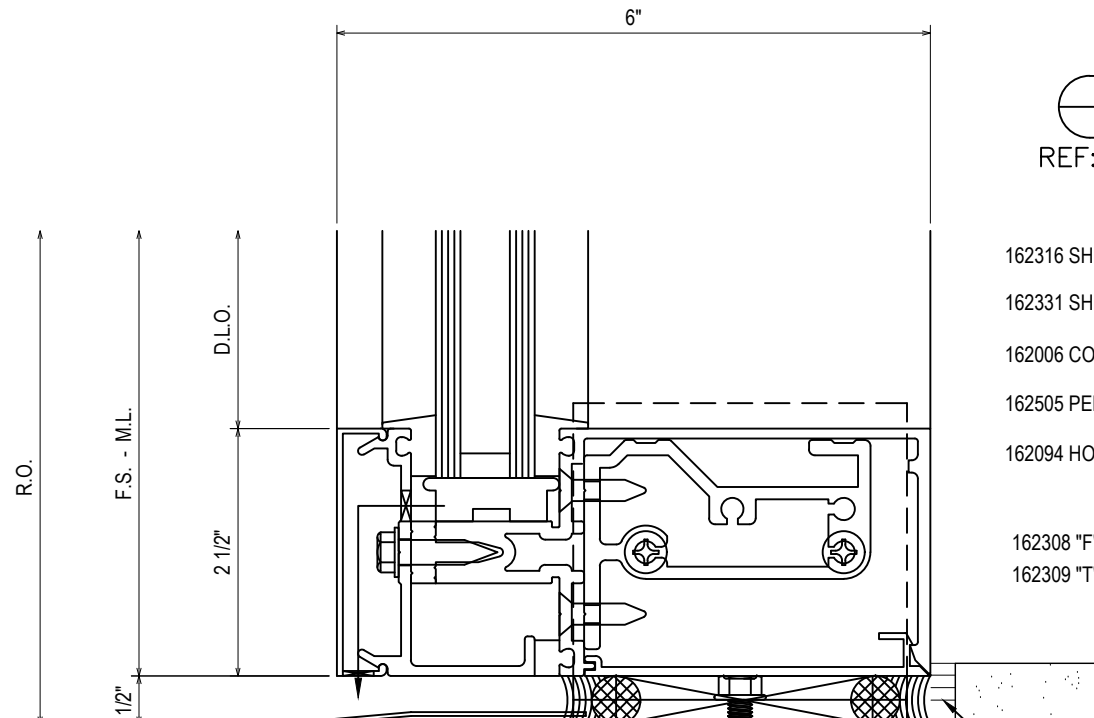
- USE FILLER 162021 WHEN REQUIRED.
- 162308 "F" ANCHOR OR 162309 "T" ANCHOR
- 162331 SHEAR BLOCK
- 162006 COVER
- 162505 PERIMETER PRESSURE PLATE
- 162094 HORIZONTAL

128  
3.42  
REF: 14/A6-3  
W5 - W6



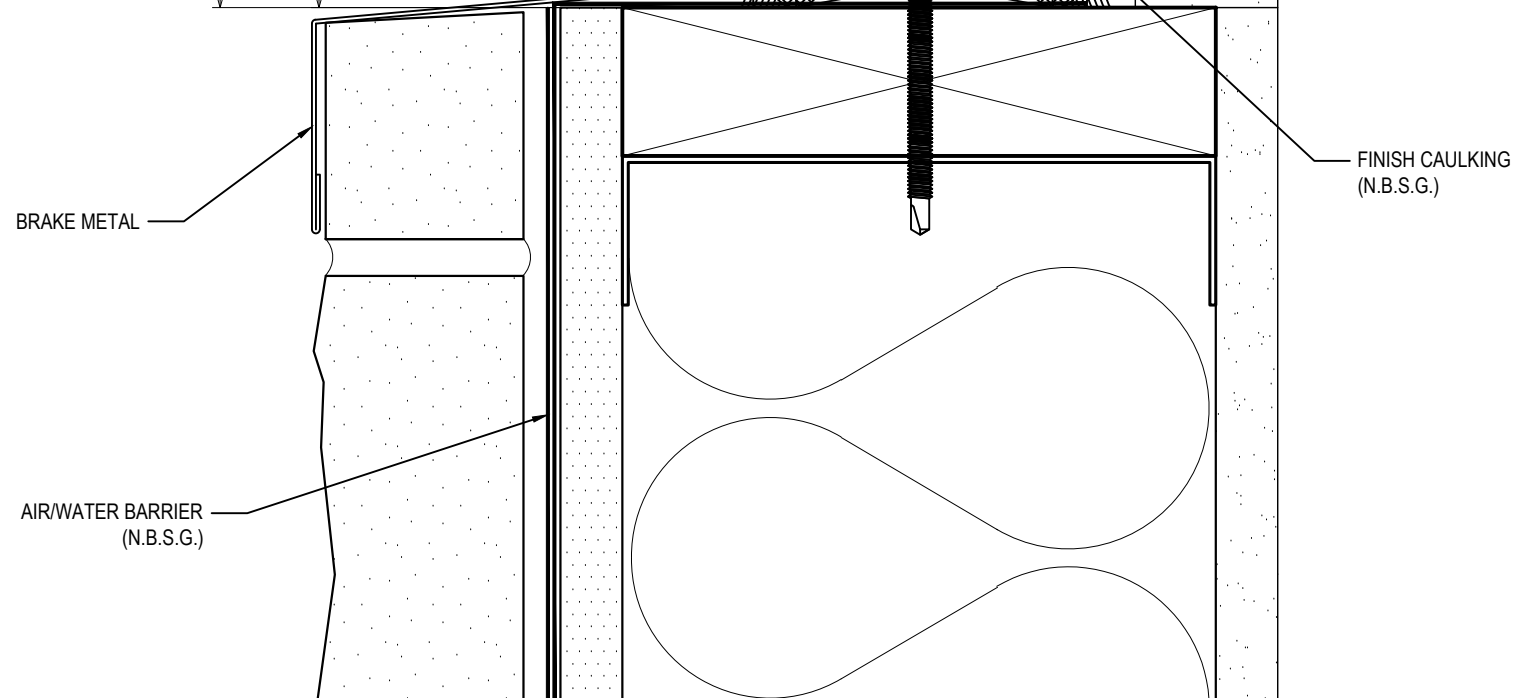
- 162377 SHEAR BLOCK
- 162006 COVER
- 162335 PRESSURE PLATE
- 162001 HORIZONTAL

129  
3.42  
REF: N/A  
W5 - W6 - W7 - W8 - W10  
W13 - W14 - W17 - W23



130  
3.42  
REF: 20/A6-3  
W5 - W6

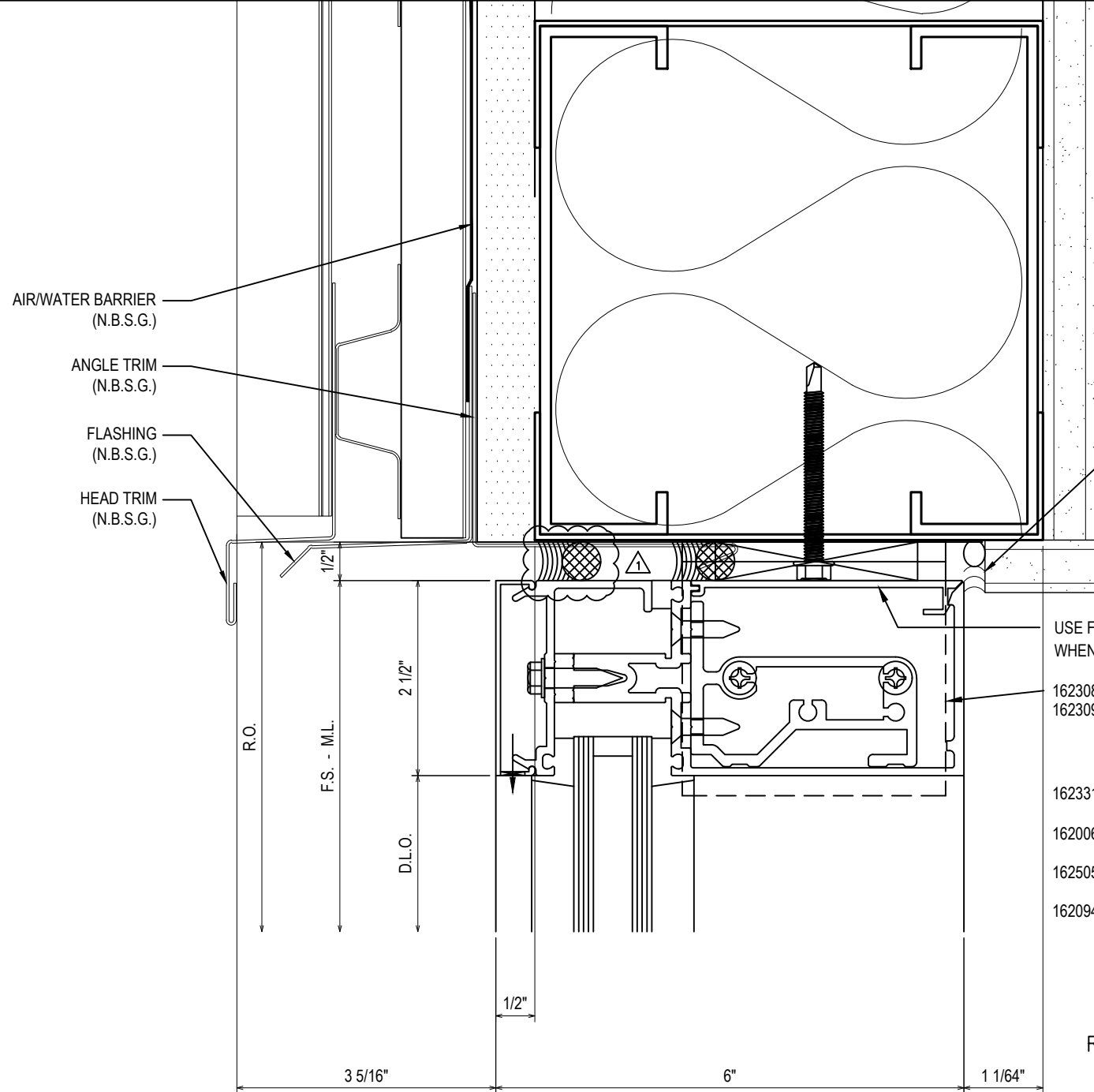
- 162316 SHIM FILLER
- 162331 SHEAR BLOCK
- 162006 COVER
- 162505 PERIMETER PRESSURE PLATE
- 162094 HORIZONTAL
- 162308 "F" ANCHOR OR 162309 "T" ANCHOR



1ST SUBMISSION	01.07.20
1ST REVISION	01.23.20
2ND REVISION	03.11.20
NO	DESCRIPTION
	DRAWING SUBMISSION

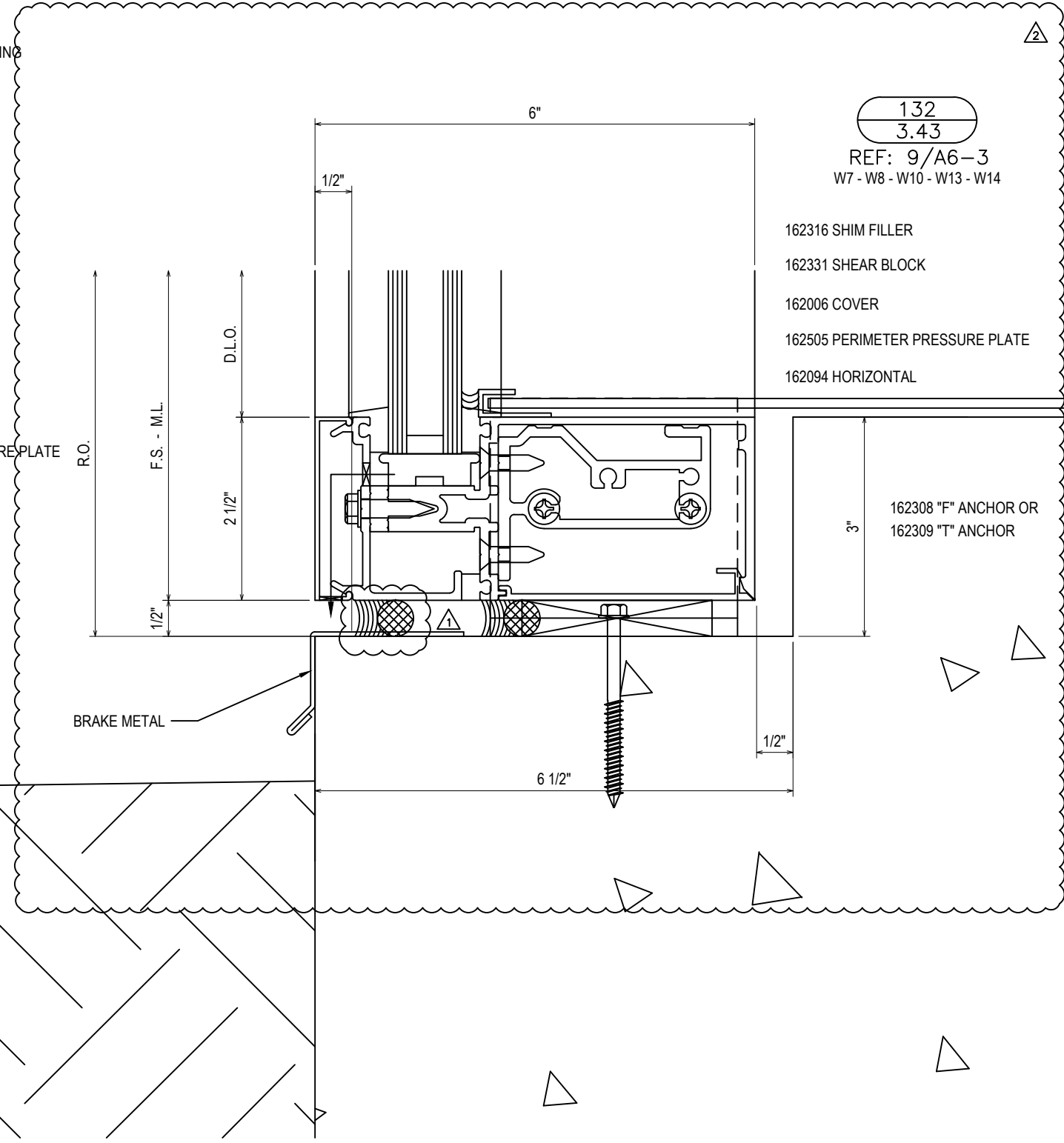
PROJECT: INNOVATIVE DENTAL CENTER FOR GENERAL & ADVANCED DENTISTRY  
 LOCATION: 3192 E. FARM ROAD 188 SPRINGFIELD, MO 65721  
 SPRINGFIELD GLASS COMPANY  
 2503 NORTH OAK GROVE AVE.  
 SPRINGFIELD, MO 65803  
 P: 417.883.6555

DRAWN BY:	DATE:
RA	01.07.20
CHECKED BY:	DATE:
TF	01.07.20



- USE FILLER 162021 WHEN REQUIRED.
- 162308 "F" ANCHOR OR 162309 "T" ANCHOR
- 162331 SHEAR BLOCK
- 162006 COVER
- 162505 PERIMETER PRESSURE PLATE
- 162094 HORIZONTAL

131  
3.43  
REF: 18/A6-3  
W5 - W6 - W14



- 162316 SHIM FILLER
- 162331 SHEAR BLOCK
- 162006 COVER
- 162505 PERIMETER PRESSURE PLATE
- 162094 HORIZONTAL

132  
3.43  
REF: 9/A6-3  
W7 - W8 - W10 - W13 - W14

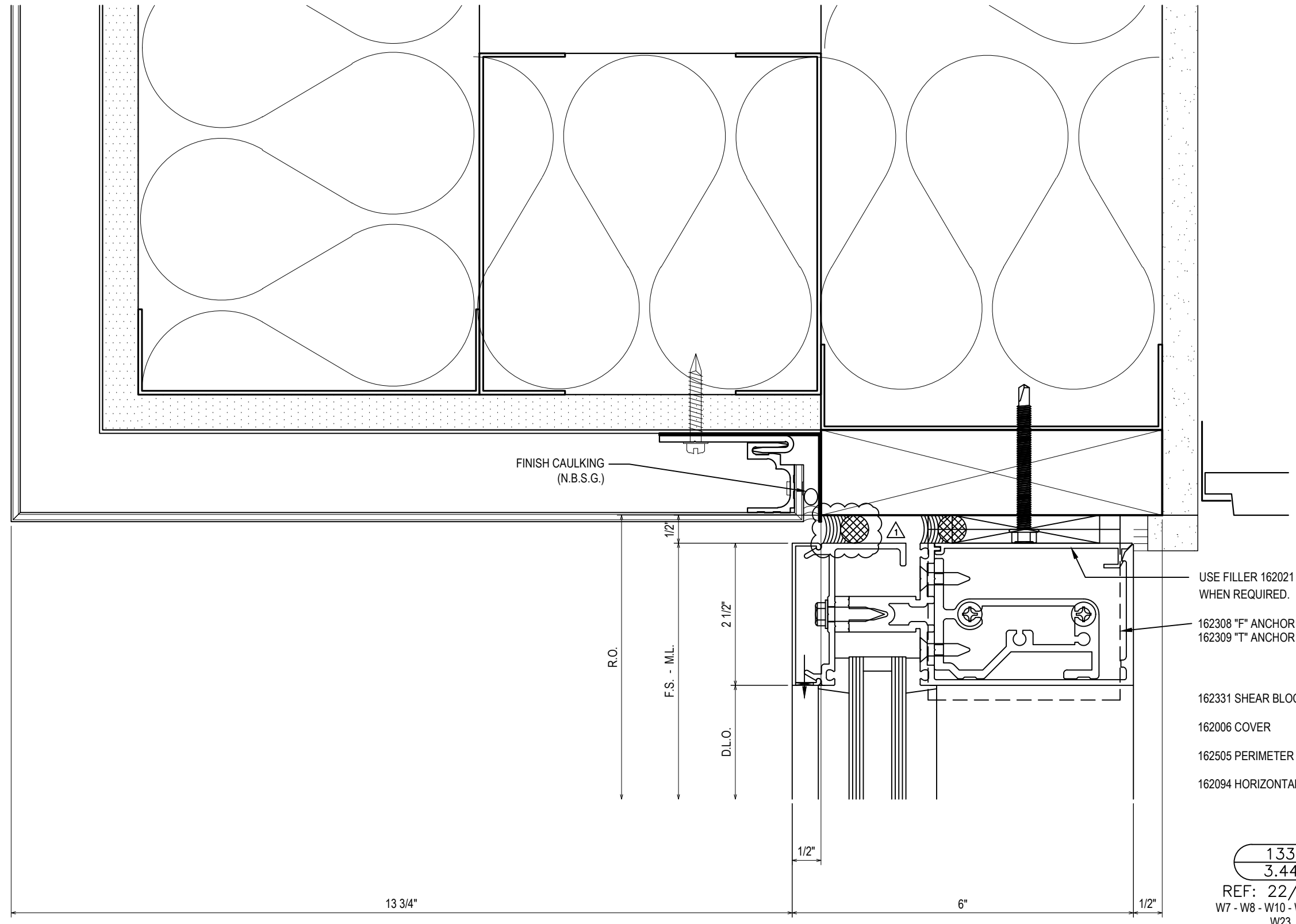
1ST SUBMISSION	01.07.20
1ST REVISION	01.23.20
2ND REVISION	03.11.20
NO	DATE
DRAWING SUBMISSION	

SPRINGFIELD GLASS COMPANY  
2503 NORTH OAK GROVE AVE.  
SPRINGFIELD, MO 65803  
P: 417.883.6555

PROJECT: INNOVATIVE DENTAL CENTER FOR GENERAL & ADVANCED DENTISTRY  
LOCATION: 3192 E. FARM ROAD 188 SPRINGFIELD, MO 65721

DRAWN BY:	DATE:
RA	01.07.20
CHECKED BY:	DATE:
TF	01.07.20

3.43



133  
3.44  
 REF: 22/A6-3  
 W7 - W8 - W10 - W13 - W17  
 W23

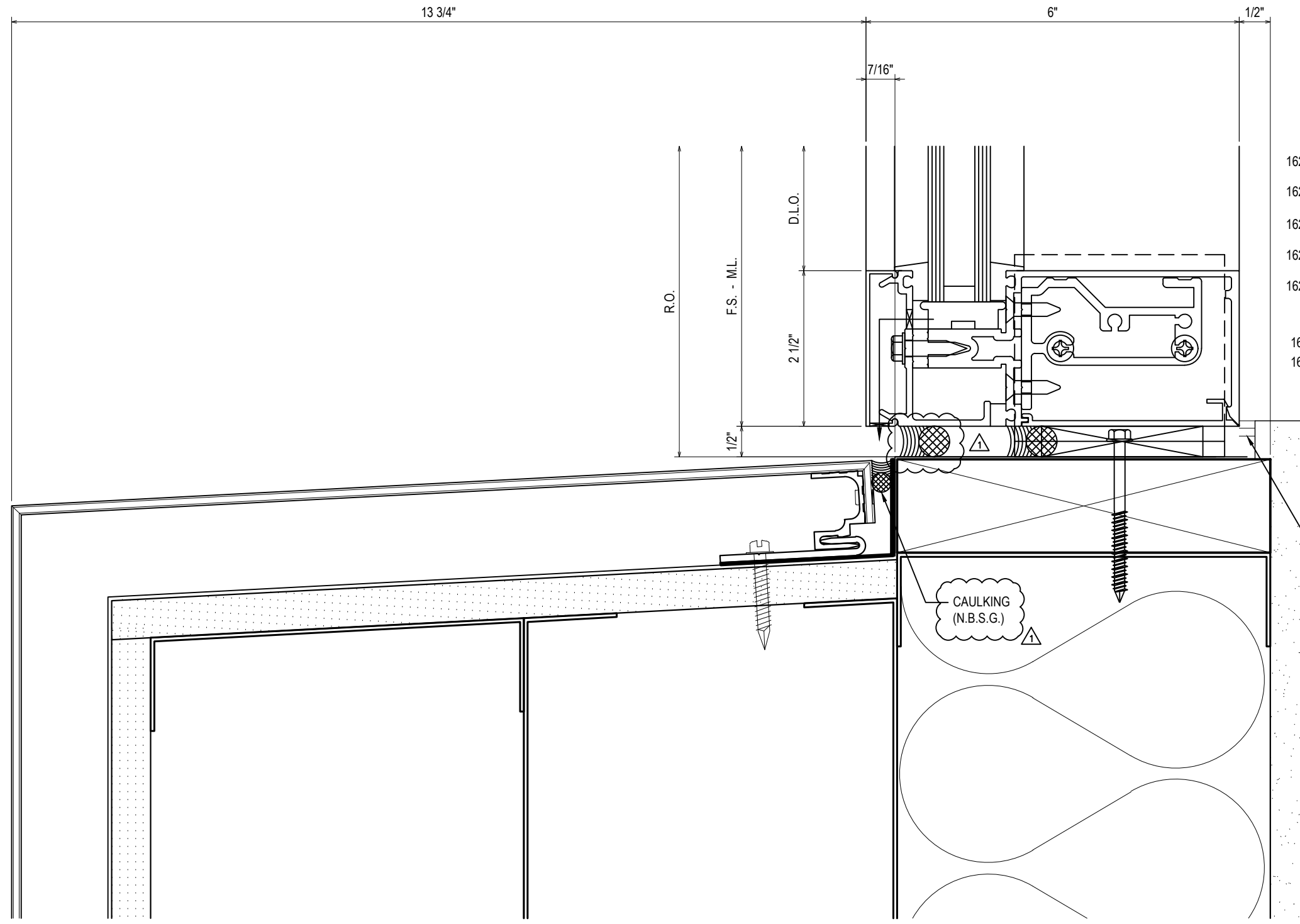
1ST SUBMISSION	01.07.20
1ST REVISION	01.23.20
2ND REVISION	03.11.20
NO	DESCRIPTION
	DRAWING SUBMISSION

**SPRINGFIELD GLASS COMPANY**  
 2503 NORTH OAK GROVE AVE.  
 SPRINGFIELD, MO 65803  
 P: 417.883.6555

PROJECT: INNOVATIVE DENTAL  
 CENTER FOR GENERAL &  
 ADVANCED DENTISTRY  
 LOCATION: 3192 E. FARM ROAD 188  
 SPRINGFIELD, MO 65721

DRAWN BY:	RA	DATE:	01.07.20
CHECKED BY:	TF	DATE:	01.07.20

**3.44**



134  
3.45

REF: 23/A6-3  
W17 - W23

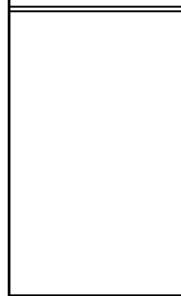
- 162316 SHIM FILLER
- 162331 SHEAR BLOCK
- 162006 COVER
- 162505 PERIMETER PRESSURE PLATE
- 162094 HORIZONTAL
- 162308 "F" ANCHOR OR
- 162309 "T" ANCHOR

CAULKING  
(N.B.S.G.)

FINISH CAULKING  
(N.B.S.G.)

1ST SUBMISSION	01.07.20
1ST REVISION	01.23.20
2ND REVISION	03.11.20
NO	DESCRIPTION
	DRAWING SUBMISSION

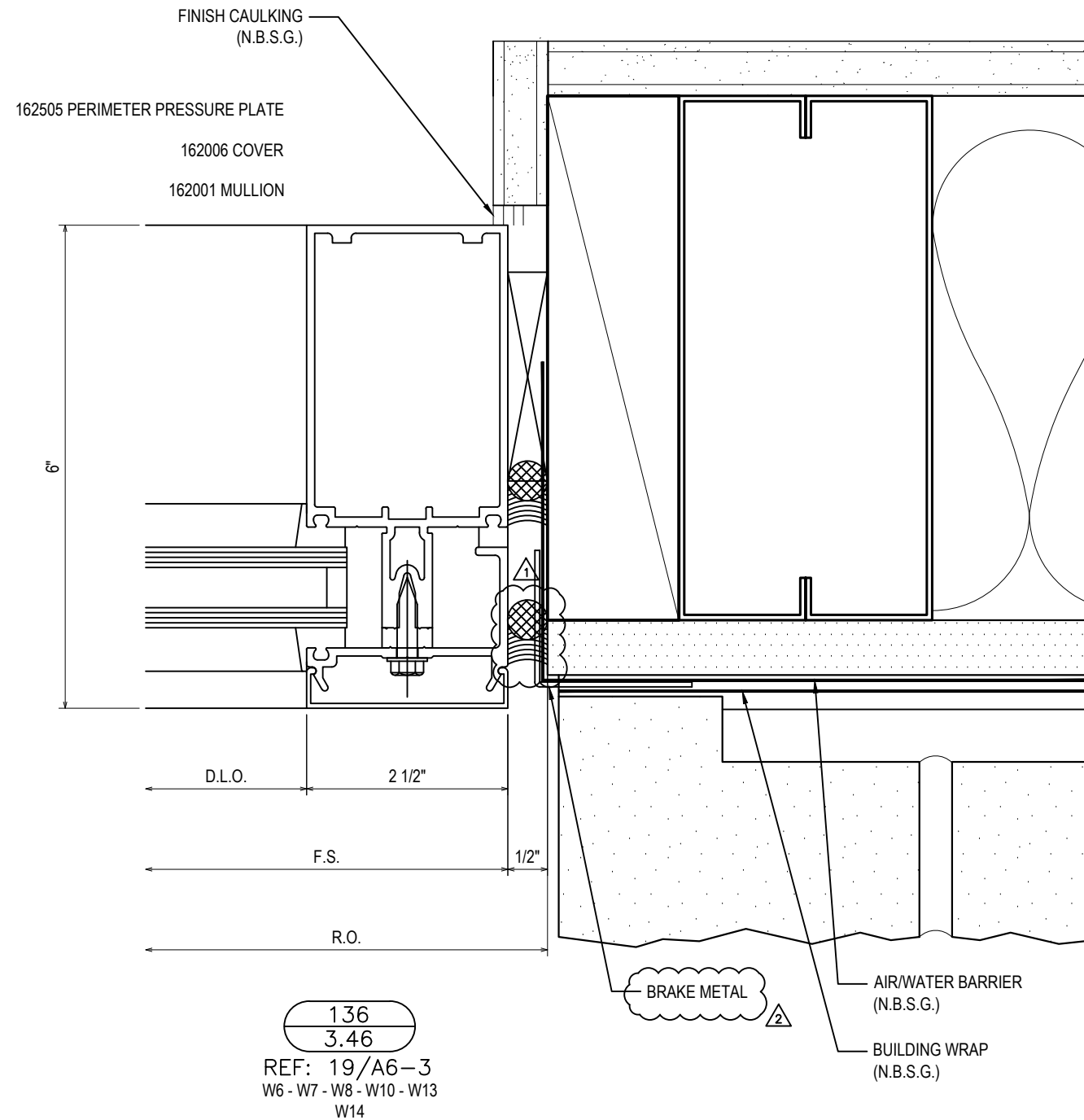
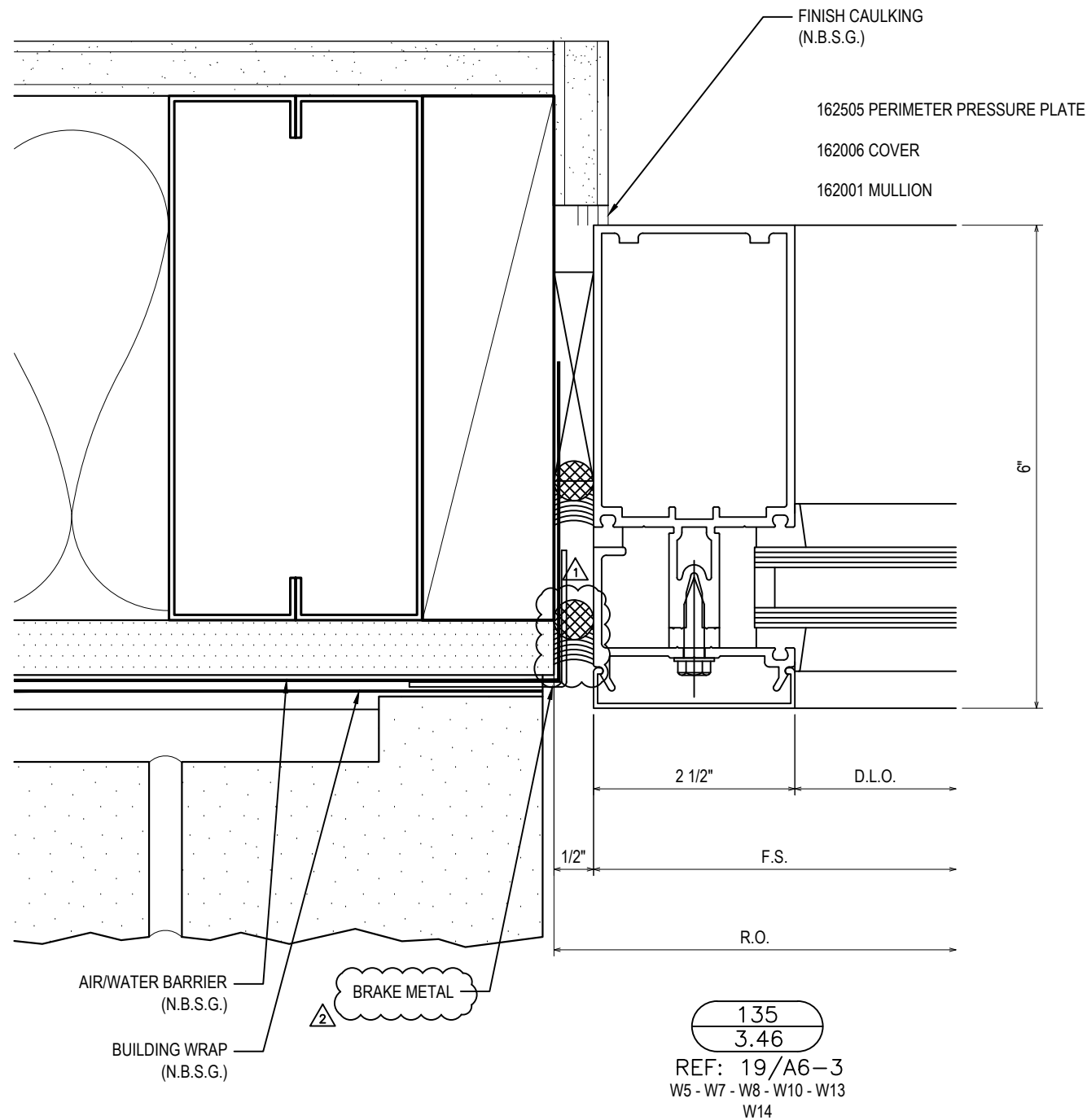
SPRINGFIELD GLASS COMPANY  
2503 NORTH OAK GROVE AVE.  
SPRINGFIELD, MO 65803  
P: 417.883.6555



PROJECT: INNOVATIVE DENTAL  
CENTER FOR GENERAL &  
ADVANCED DENTISTRY  
LOCATION: 3192 E. FARM ROAD 188  
SPRINGFIELD, MO 65721

DRAWN BY:	DATE:
RA	01.07.20
CHECKED BY:	DATE:
TF	01.07.20

3.45



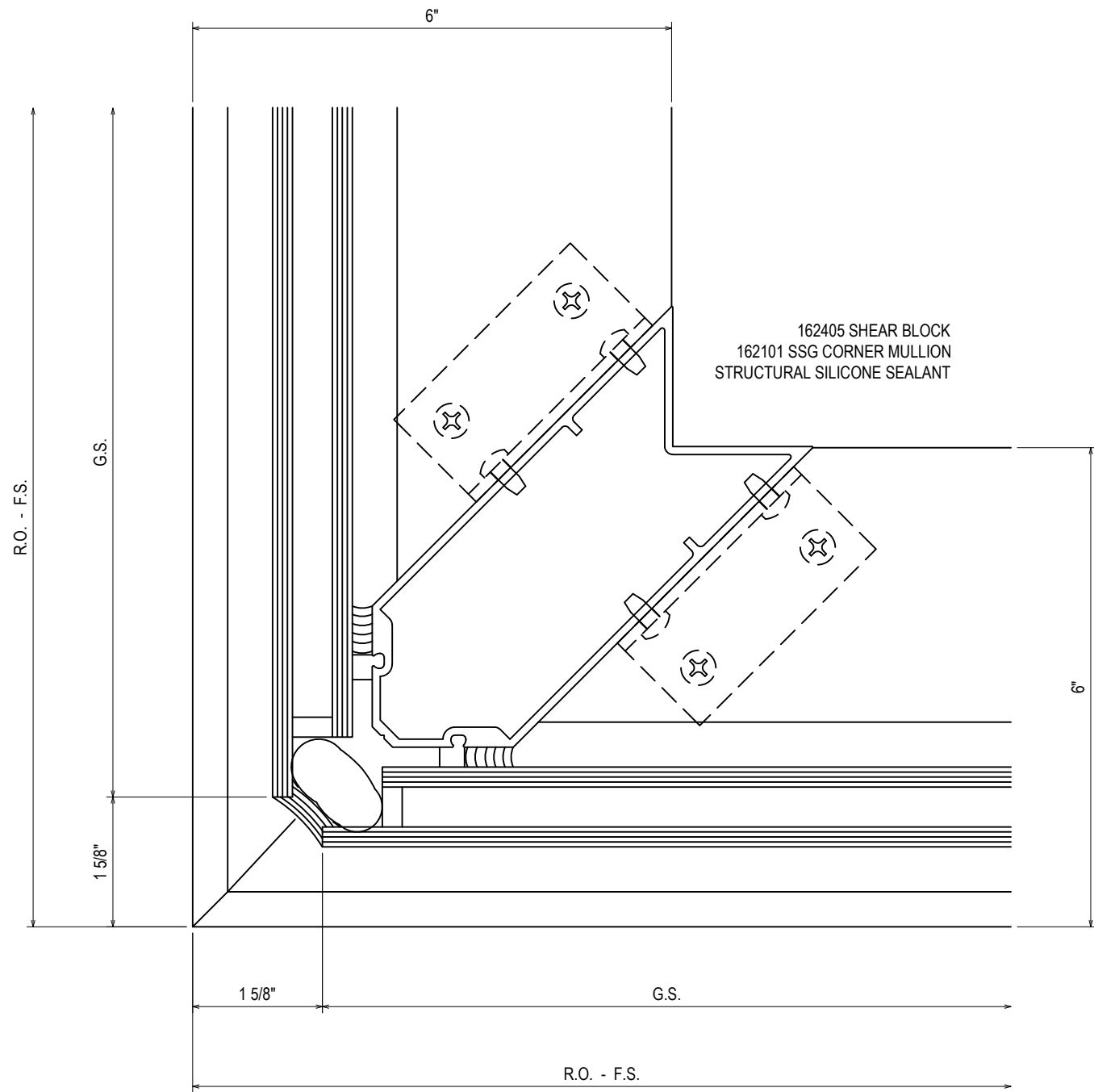
1ST SUBMISSION	01.07.20
1ST REVISION	01.23.20
2ND REVISION	03.11.20
NO	DATE
DRAWING SUBMISSION	

SPRINGFIELD GLASS COMPANY  
2503 NORTH OAK GROVE AVE.  
SPRINGFIELD, MO 65803  
P: 417.883.6555

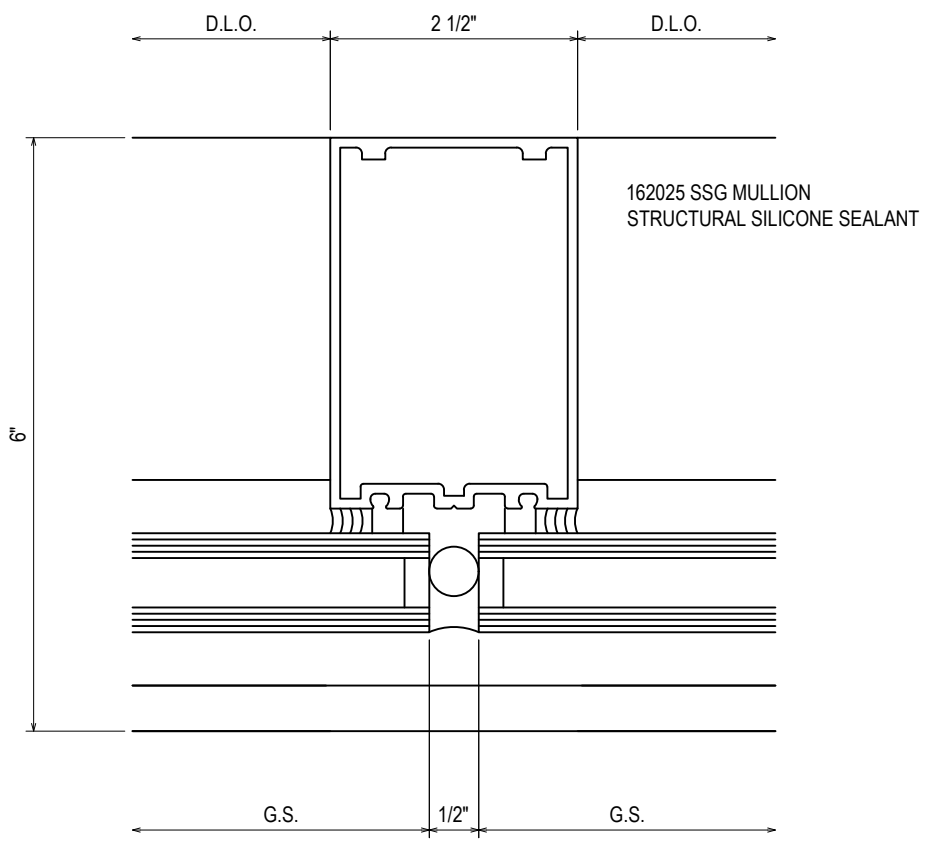
PROJECT: INNOVATIVE DENTAL  
CENTER FOR GENERAL &  
ADVANCED DENTISTRY

LOCATION: 3192 E. FARM ROAD 188  
SPRINGFIELD, MO 65721

DRAWN BY:	DATE:
RA	01.07.20
CHECKED BY:	DATE:
TF	01.07.20



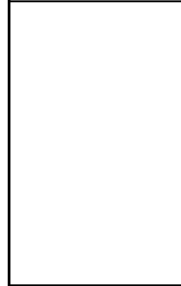
137  
3.47  
REF: N/A  
W6



138  
3.47  
REF: N/A  
W6 - W7 - W8 - W10 - W13  
W14 - W17 - W23

1ST SUBMISSION	01.07.20
1ST REVISION	01.23.20
2ND REVISION	03.11.20
NO	DATE
DRAWING SUBMISSION	

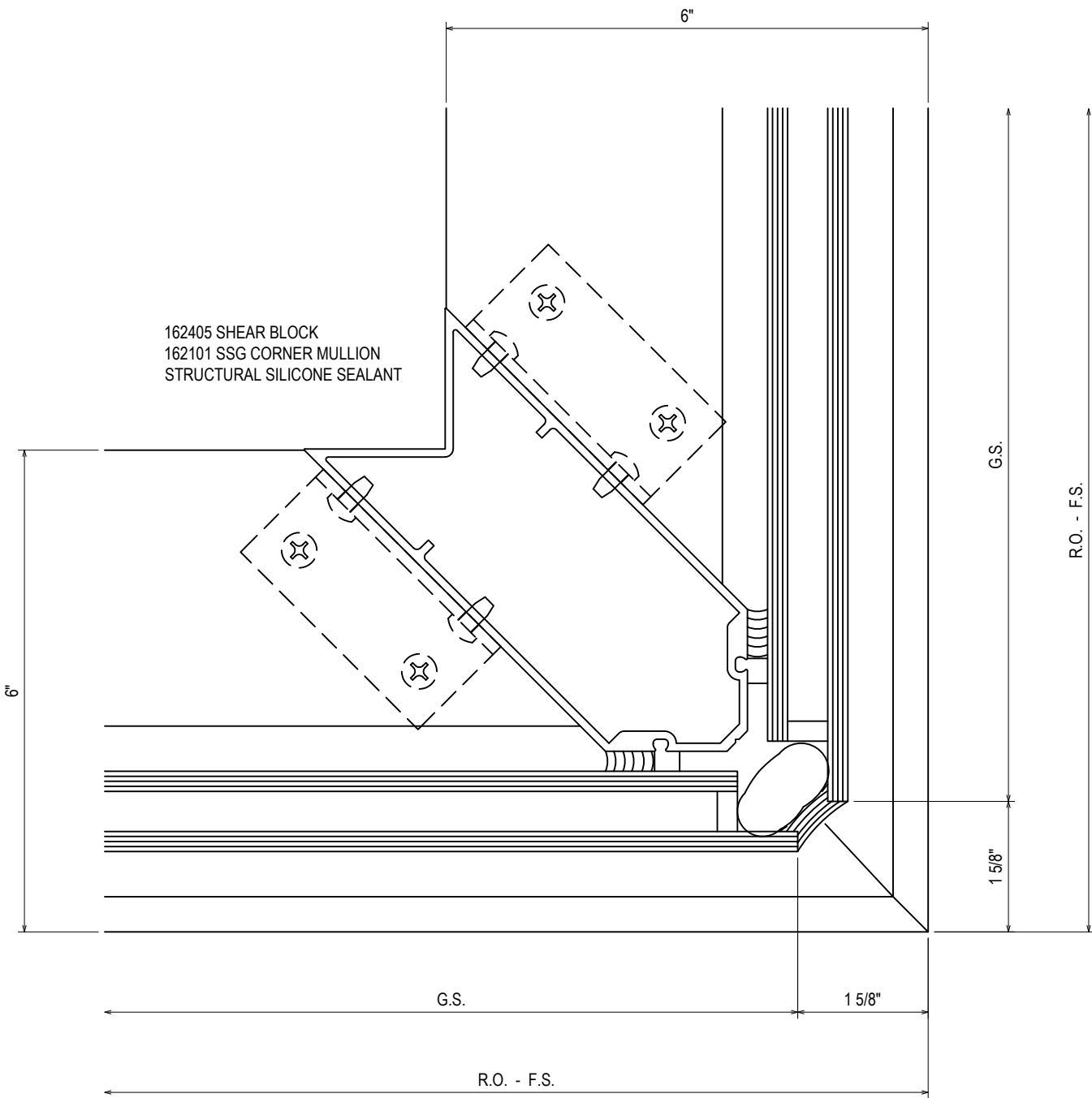
SPRINGFIELD GLASS COMPANY  
2503 NORTH OAK GROVE AVE.  
SPRINGFIELD, MO 65803  
P: 417.883.6555



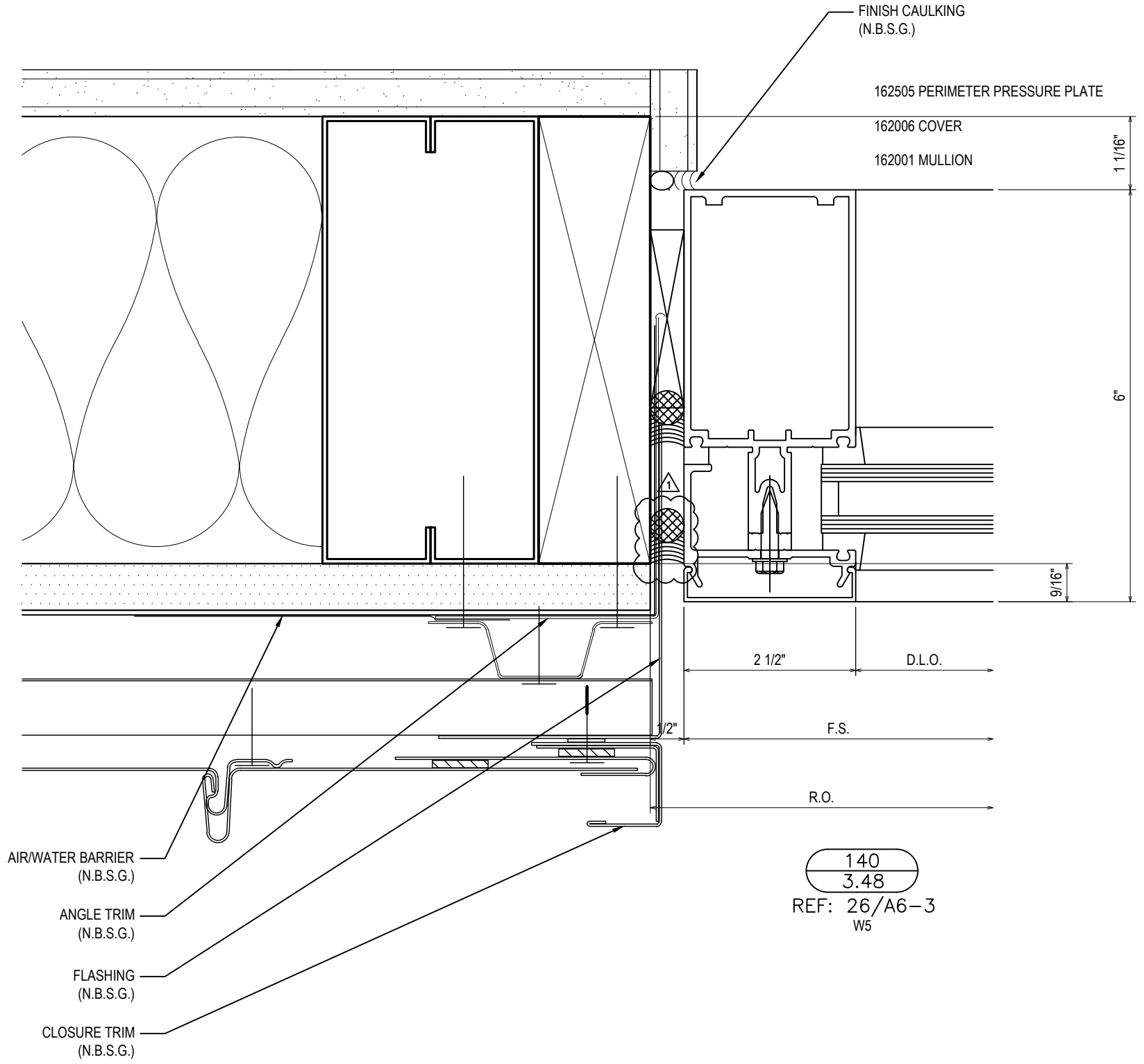
PROJECT: INNOVATIVE DENTAL  
CENTER FOR GENERAL &  
ADVANCED DENTISTRY

LOCATION: 3192 E. FARM ROAD 188  
SPRINGFIELD, MO 65721

DRAWN BY:	DATE:
RA	01.07.20
CHECKED BY:	DATE:
TF	01.07.20



139  
3.48  
REF: N/A  
W5



140  
3.48  
REF: 26/A6-3  
W5

1ST SUBMISSION	01.07.20
1ST REVISION	01.23.20
2ND REVISION	03.11.20
NO	DATE
DRAWING SUBMISSION	

PROJECT: INNOVATIVE DENTAL  
CENTER FOR GENERAL &  
ADVANCED DENTISTRY

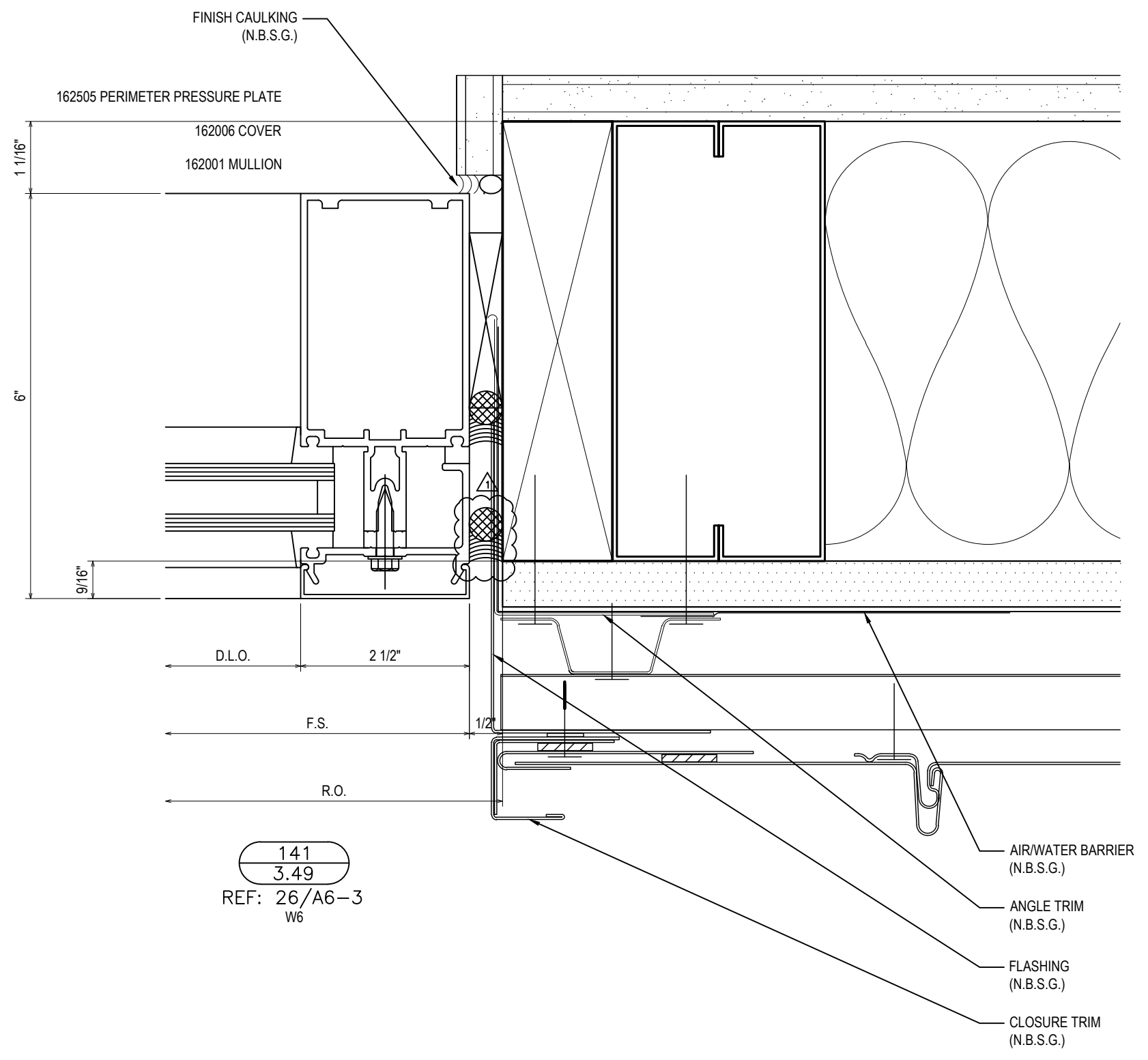
LOCATION: 3192 E. FARM ROAD 188  
SPRINGFIELD, MO 65721

SPRINGFIELD GLASS COMPANY  
2503 NORTH OAK GROVE AVE.  
SPRINGFIELD, MO 65803  
P: 417.883.6555

PROJECT: INNOVATIVE DENTAL  
CENTER FOR GENERAL &  
ADVANCED DENTISTRY

LOCATION: 3192 E. FARM ROAD 188  
SPRINGFIELD, MO 65721

DRAWN BY:	DATE:
RA	01.07.20
CHECKED BY:	DATE:
TF	01.07.20



141  
 3.49  
 REF: 26/A6-3  
 W6

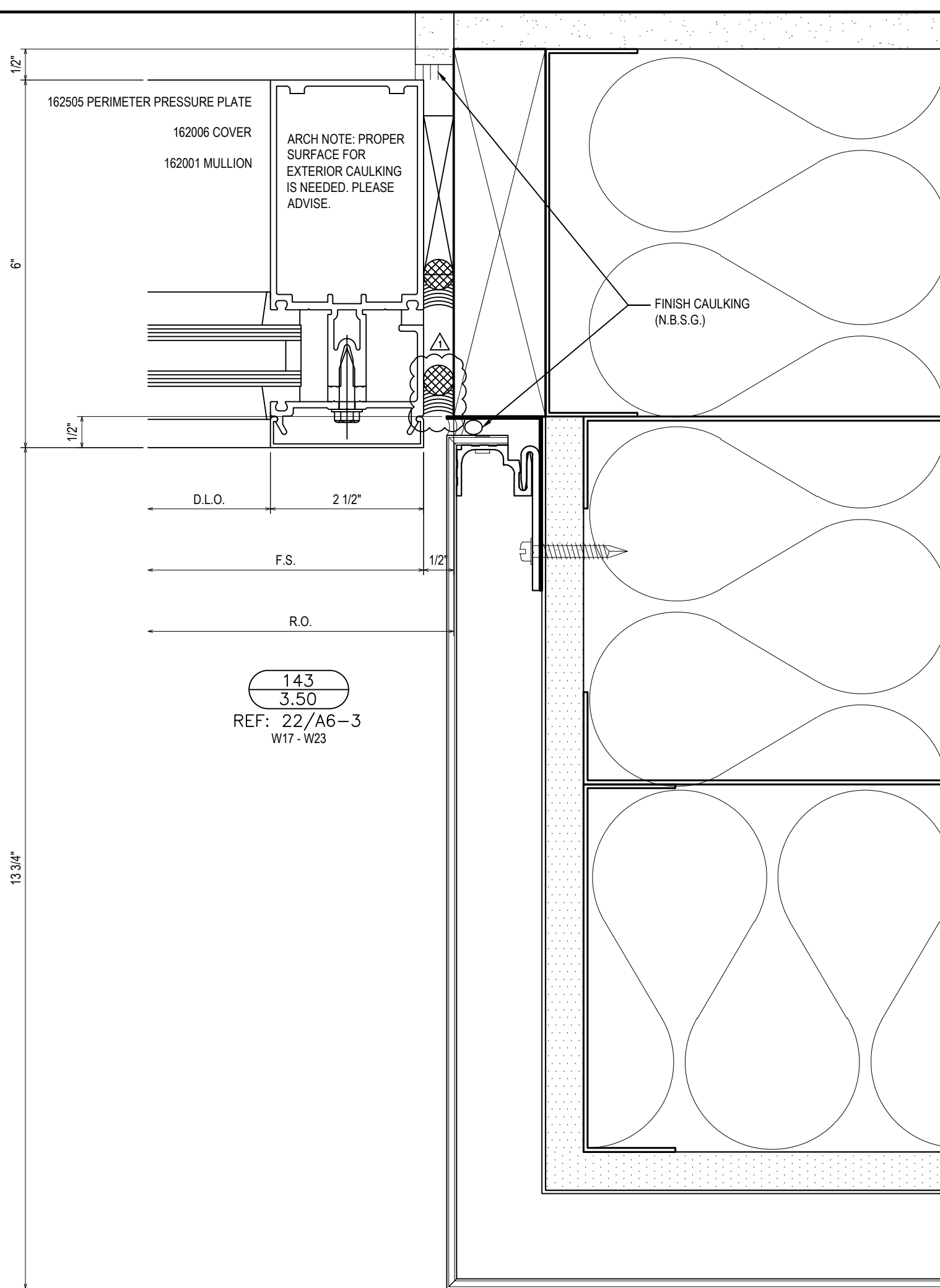
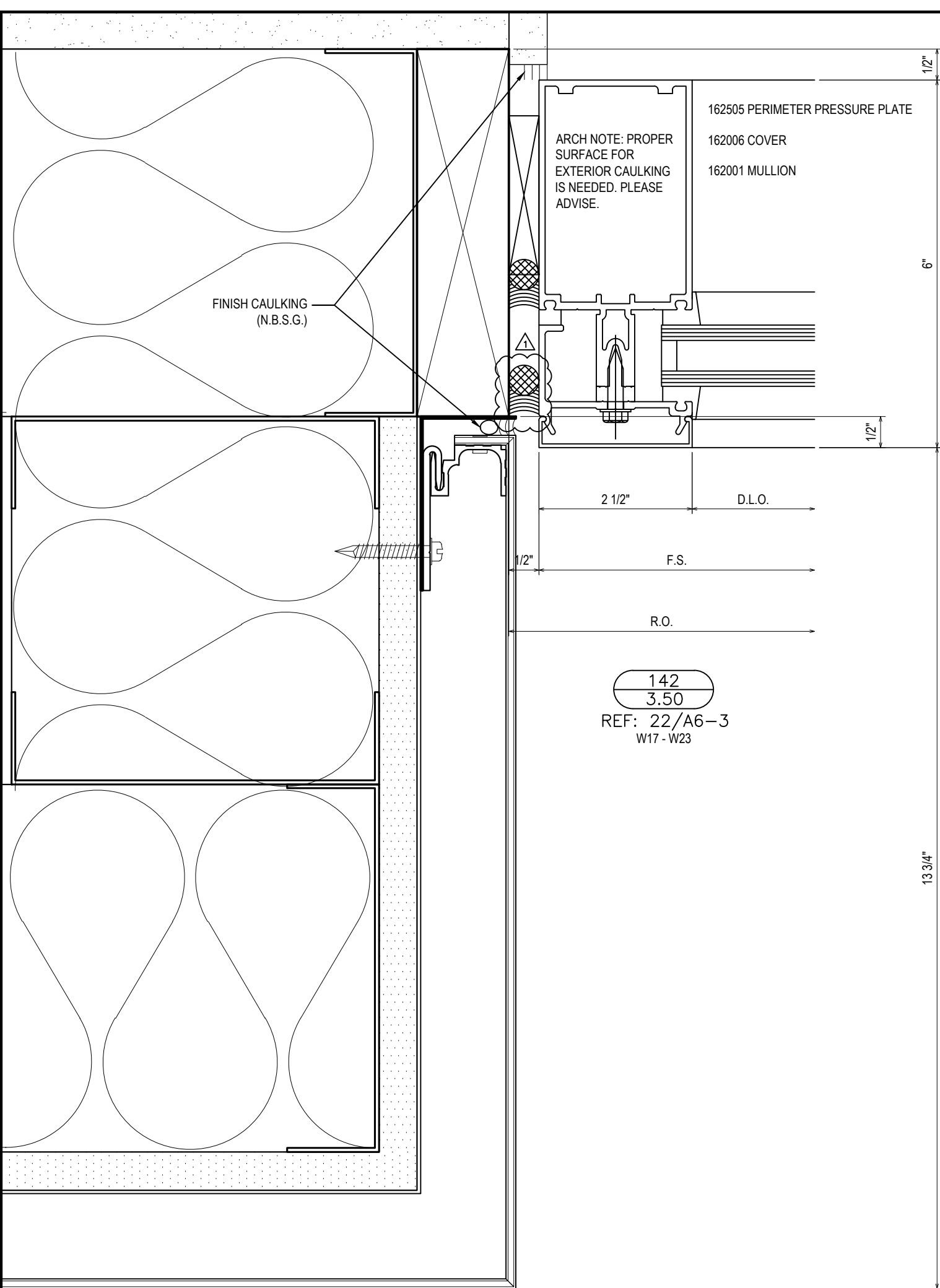
1ST SUBMISSION	01.07.20
1ST REVISION	01.23.20
2ND REVISION	03.11.20
NO	DESCRIPTION
	DRAWING SUBMISSION

SPRINGFIELD GLASS COMPANY  
 2503 NORTH OAK GROVE AVE.  
 SPRINGFIELD, MO 65803  
 P: 417.883.6555

PROJECT: INNOVATIVE DENTAL  
 CENTER FOR GENERAL &  
 ADVANCED DENTISTRY  
 LOCATION: 3192 E. FARM ROAD 188  
 SPRINGFIELD, MO 65721

DRAWN BY:	DATE:
RA	01.07.20
CHECKED BY:	DATE:
TF	01.07.20



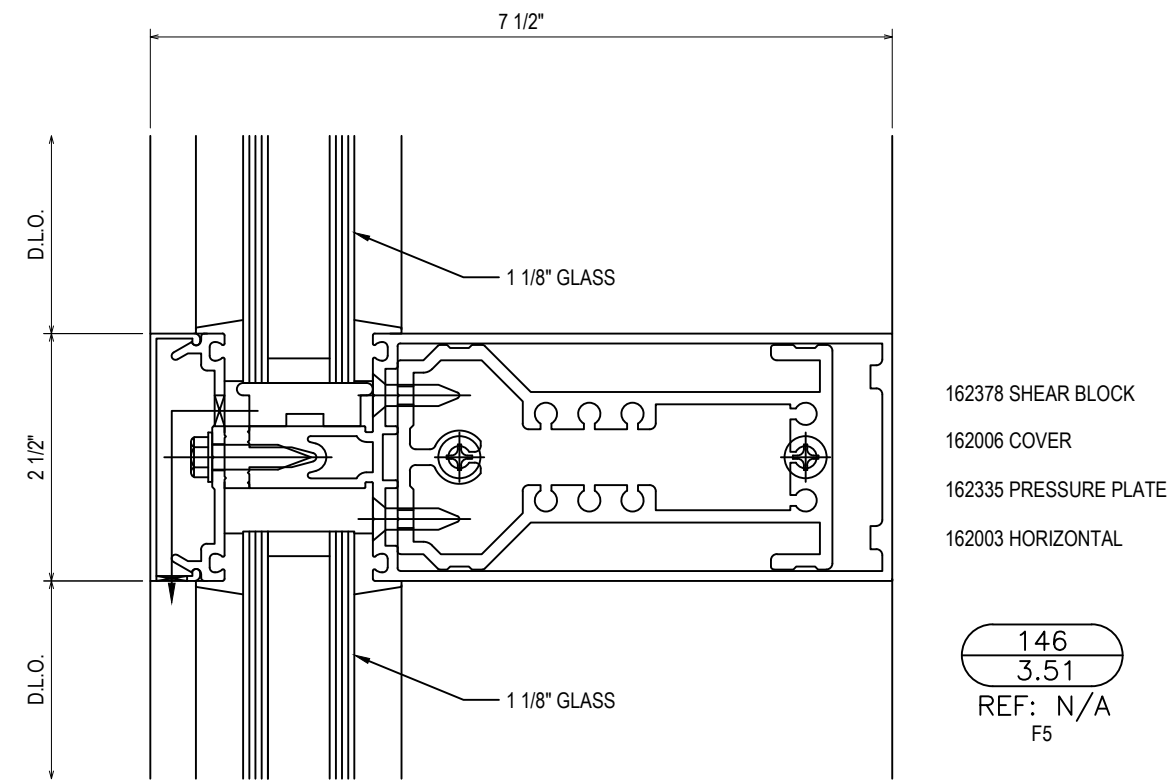
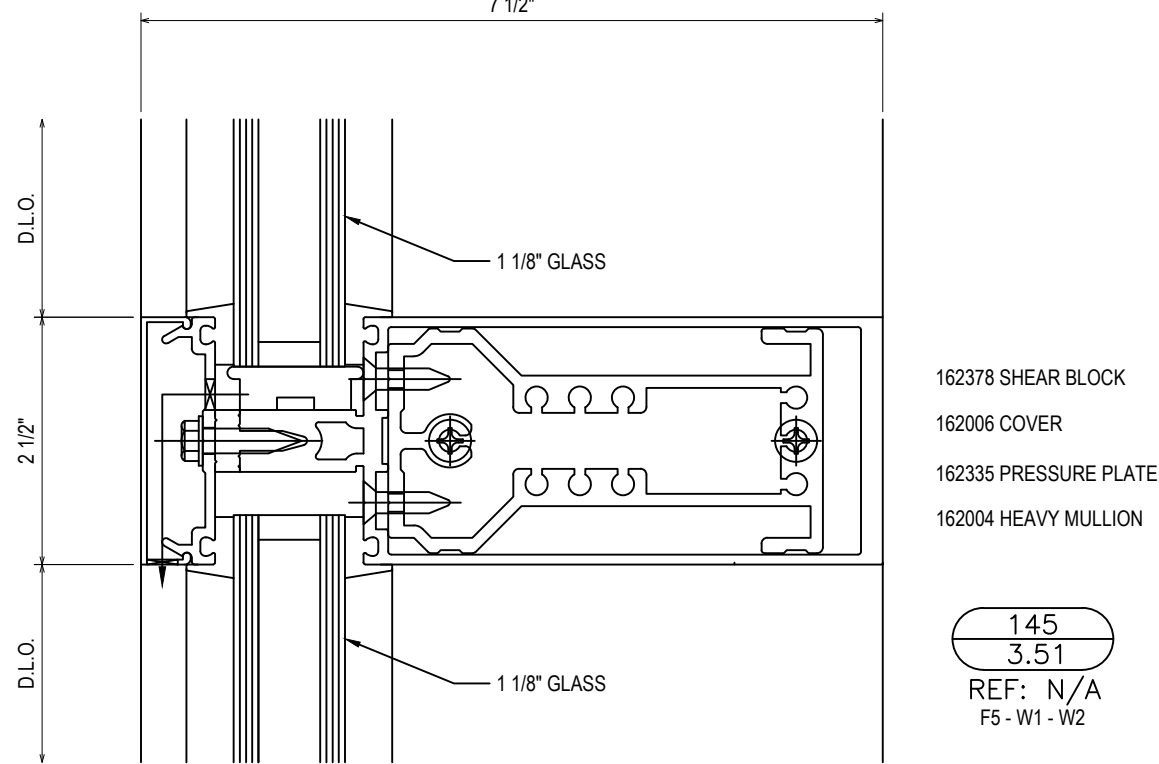
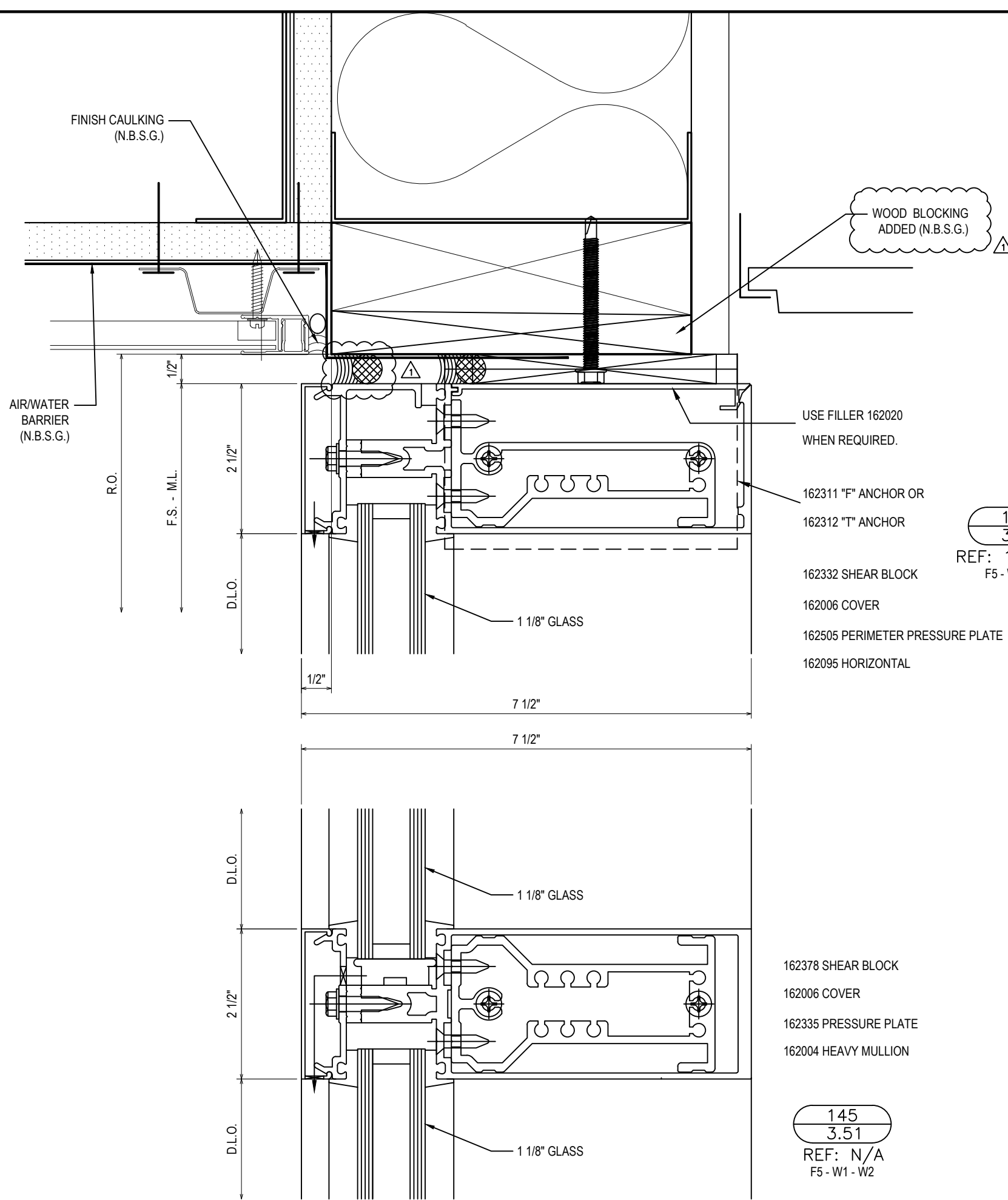


NO	DESCRIPTION	DATE
1	1ST SUBMISSION	01.07.20
2	1ST REVISION	01.23.20
3	2ND REVISION	03.11.20

PROJECT: INNOVATIVE DENTAL  
CENTER FOR GENERAL &  
ADVANCED DENTISTRY  
LOCATION: 3192 E. FARM ROAD 188  
SPRINGFIELD, MO 65721

SPRINGFIELD GLASS COMPANY  
2503 NORTH OAK GROVE AVE.  
SPRINGFIELD, MO 65803  
P: 417.883.6555

DRAWN BY:	DATE:
RA	01.07.20
CHECKED BY:	DATE:
TF	01.07.20

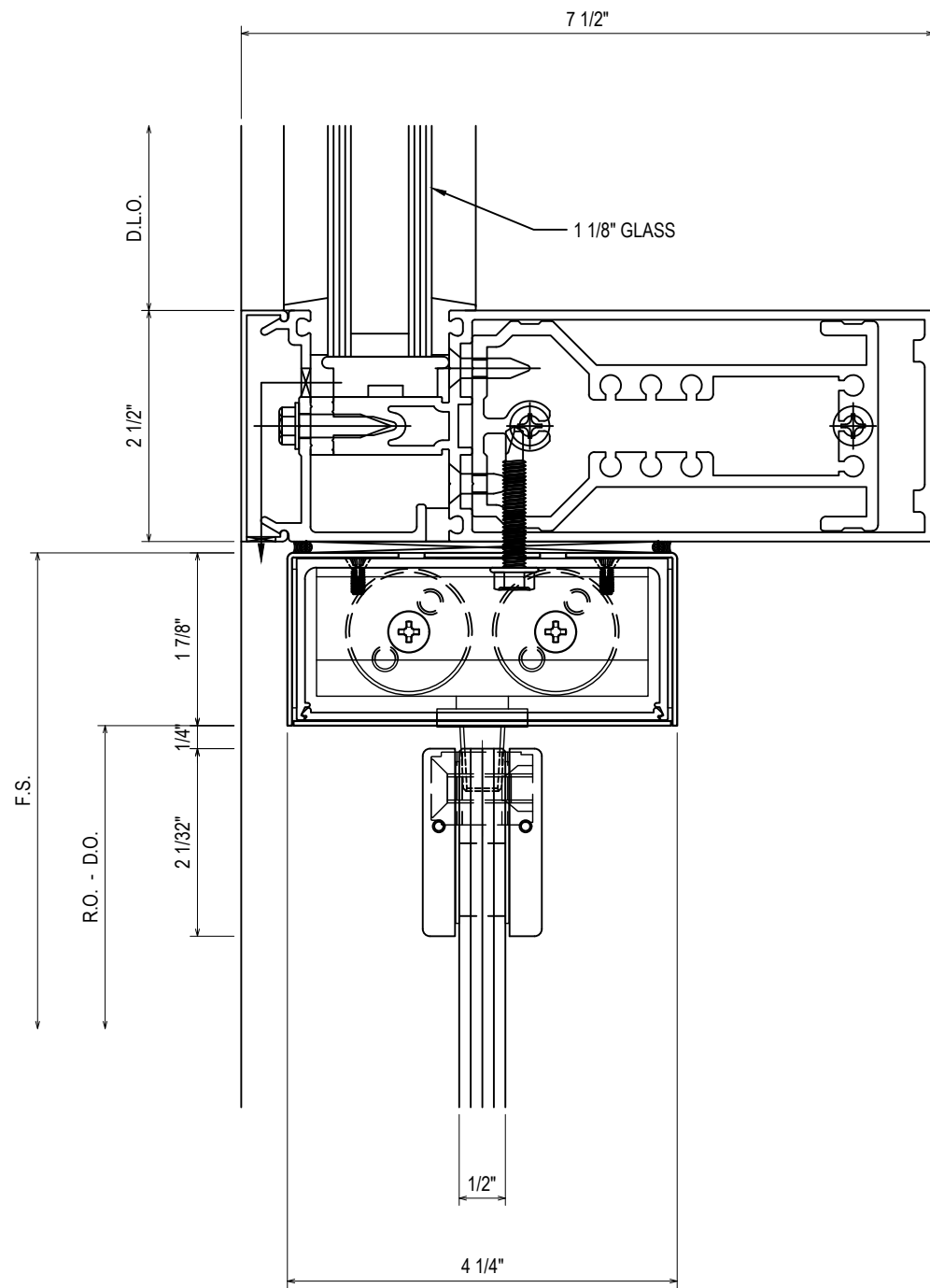


1ST SUBMISSION	01.07.20
1ST REVISION	01.23.20
2ND REVISION	03.11.20
NO	DESCRIPTION
	DRAWING SUBMISSION

PROJECT: INNOVATIVE DENTAL CENTER FOR GENERAL & ADVANCED DENTISTRY  
 LOCATION: 3192 E. FARM ROAD 188 SPRINGFIELD, MO 65721

SPRINGFIELD GLASS COMPANY  
 2503 NORTH OAK GROVE AVE.  
 SPRINGFIELD, MO 65803  
 P: 417.883.6555

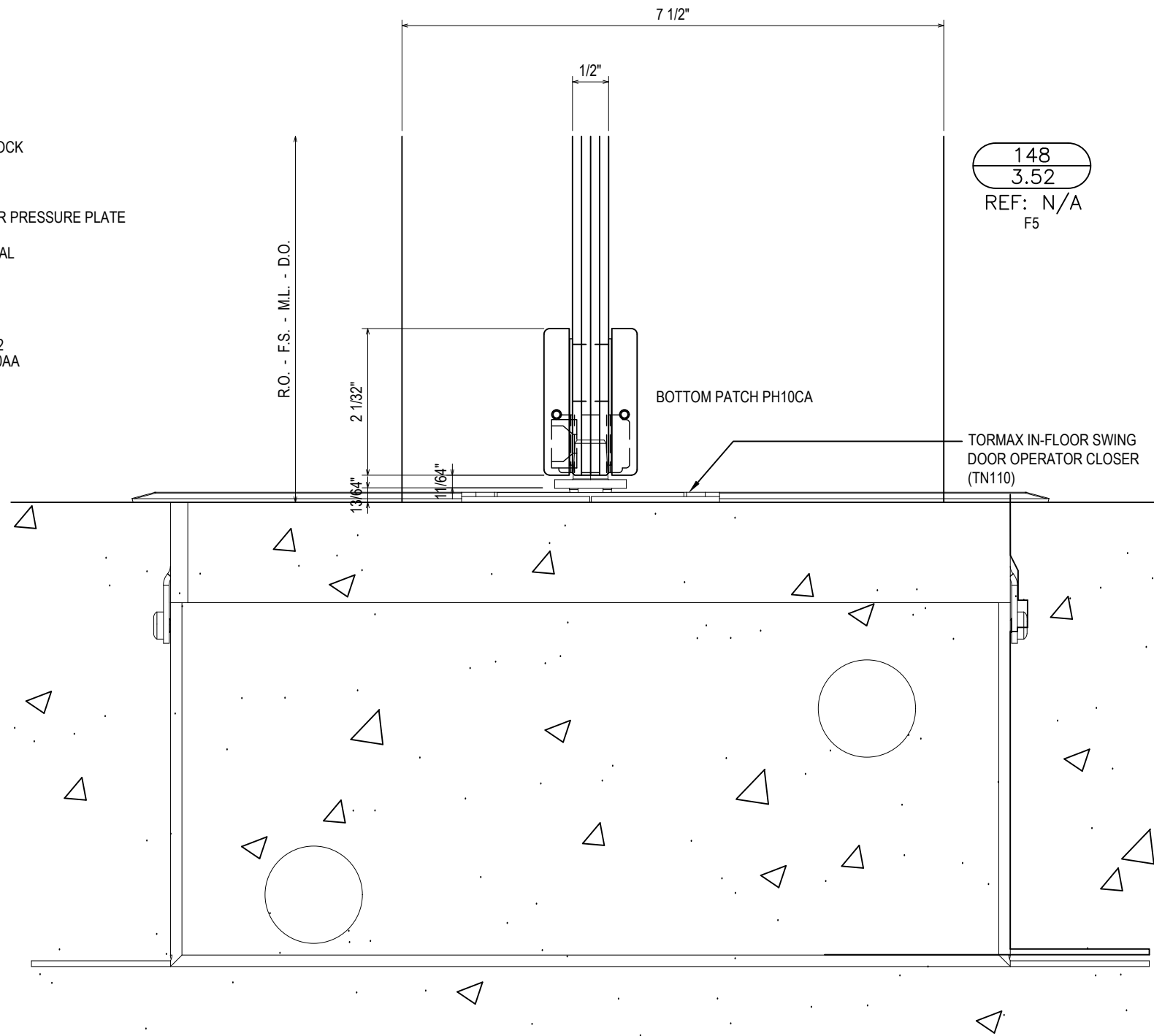
DRAWN BY:	DATE:
RA	01.07.20
CHECKED BY:	DATE:
TF	01.07.20



- 162378 SHEAR BLOCK
- 162006 COVER
- 162505 PERIMETER PRESSURE PLATE
- 162003 HORIZONTAL

CLOSER CRL9772  
TOP PATCH PH20AA

147  
3.52  
REF: N/A  
F5



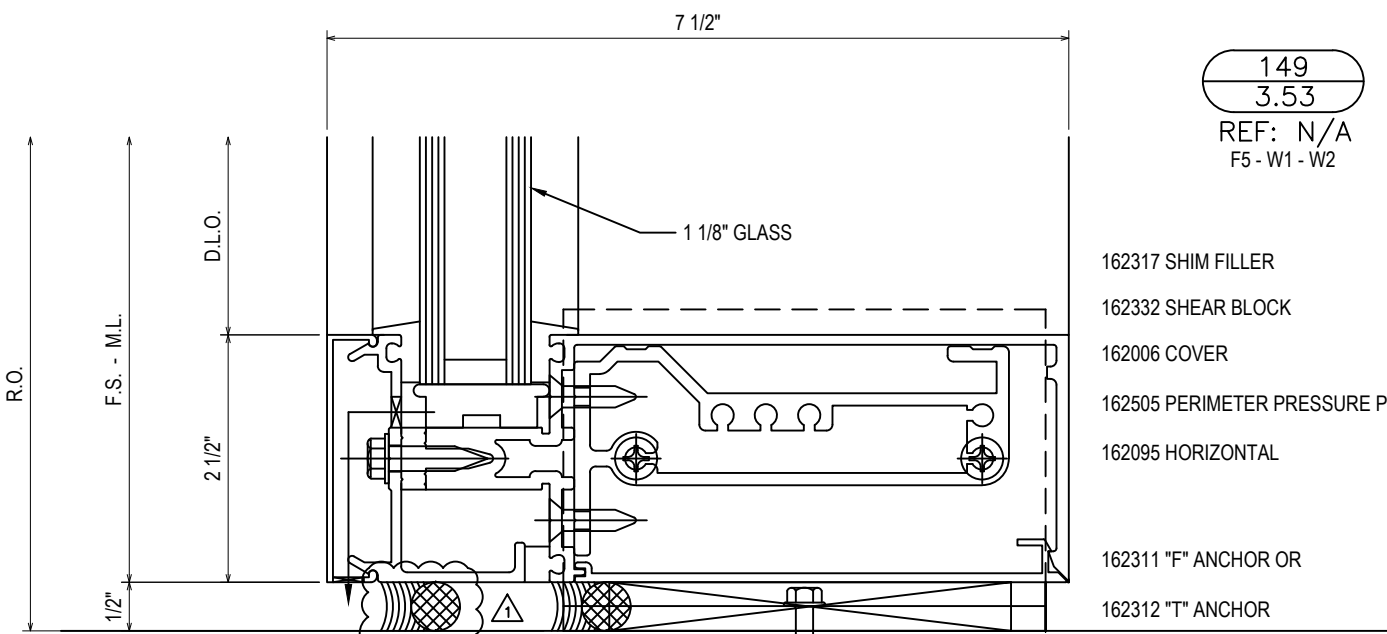
148  
3.52  
REF: N/A  
F5

NO	DESCRIPTION	DATE
1	1ST SUBMISSION	01.07.20
1	1ST REVISION	01.23.20
2	2ND REVISION	03.11.20
	DRAWING SUBMISSION	

PROJECT: INNOVATIVE DENTAL  
CENTER FOR GENERAL &  
ADVANCED DENTISTRY  
LOCATION: 3192 E. FARM ROAD 188  
SPRINGFIELD, MO 65721

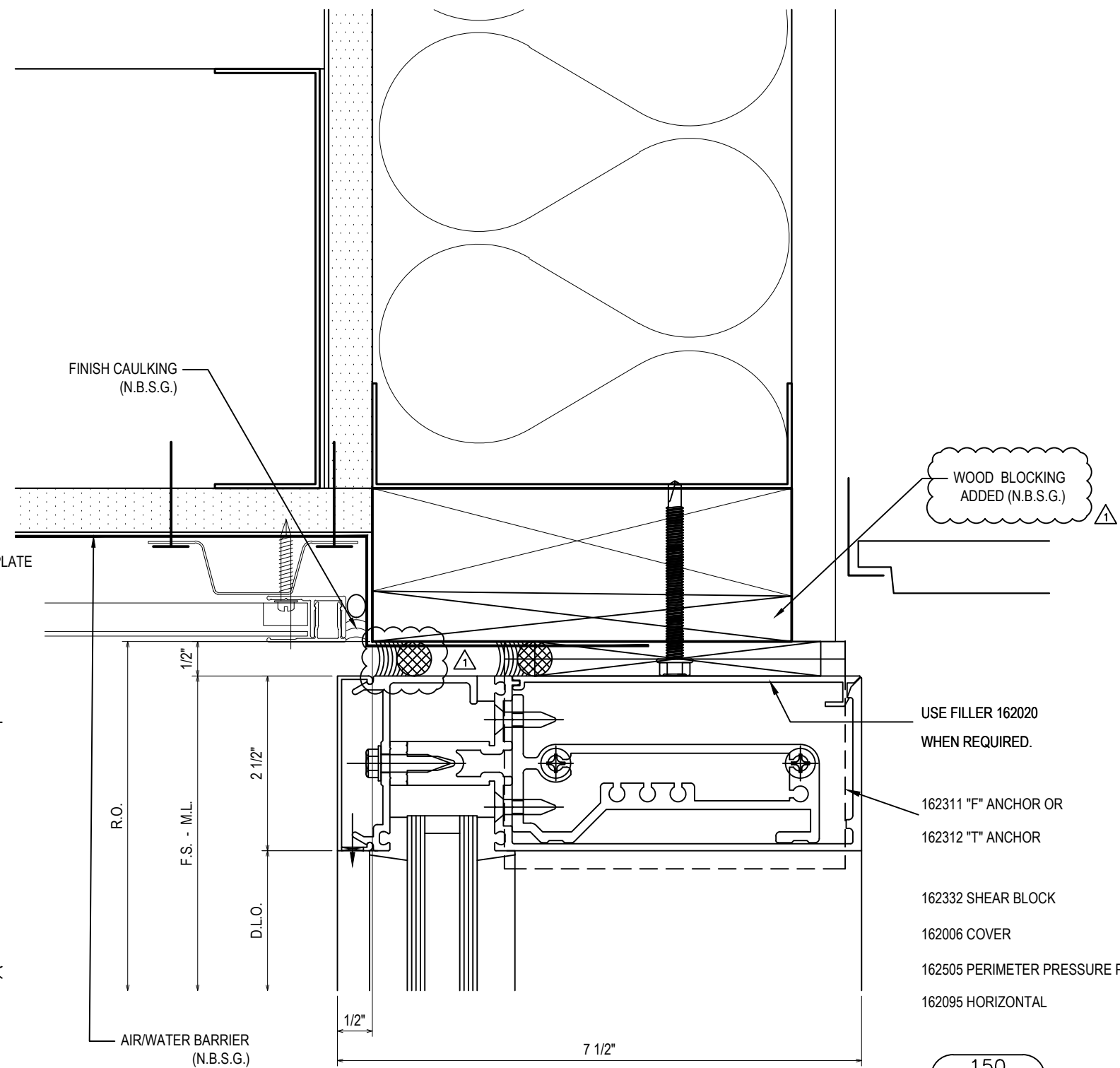
SPRINGFIELD GLASS COMPANY  
2503 NORTH OAK GROVE AVE.  
SPRINGFIELD, MO 65803  
P: 417.883.6555

DRAWN BY:	RA	DATE:	01.07.20
CHECKED BY:	TF	DATE:	01.07.20



149  
3.53  
REF: N/A  
F5 - W1 - W2

- 162317 SHIM FILLER
- 162332 SHEAR BLOCK
- 162006 COVER
- 162505 PERIMETER PRESSURE PLATE
- 162095 HORIZONTAL
- 162311 "F" ANCHOR OR
- 162312 "T" ANCHOR



150  
3.53  
REF: 15/A6-3  
F18 - W3

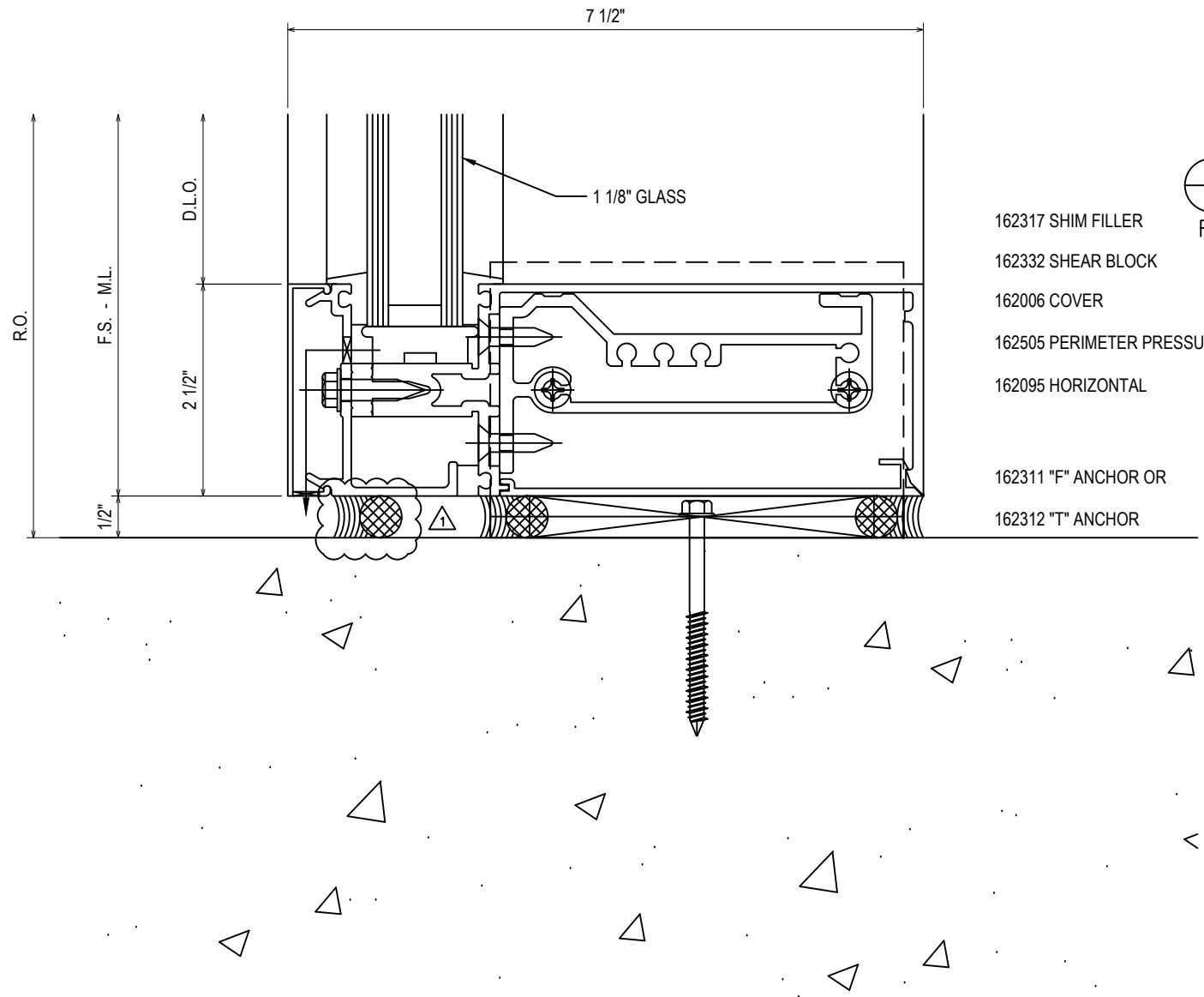
- USE FILLER 162020 WHEN REQUIRED.
- 162311 "F" ANCHOR OR 162312 "T" ANCHOR
- 162332 SHEAR BLOCK
- 162006 COVER
- 162505 PERIMETER PRESSURE PLATE
- 162095 HORIZONTAL

NO	DESCRIPTION	DATE
1	1ST SUBMISSION	01.07.20
1	1ST REVISION	01.23.20
2	2ND REVISION	03.11.20
	DRAWING SUBMISSION	

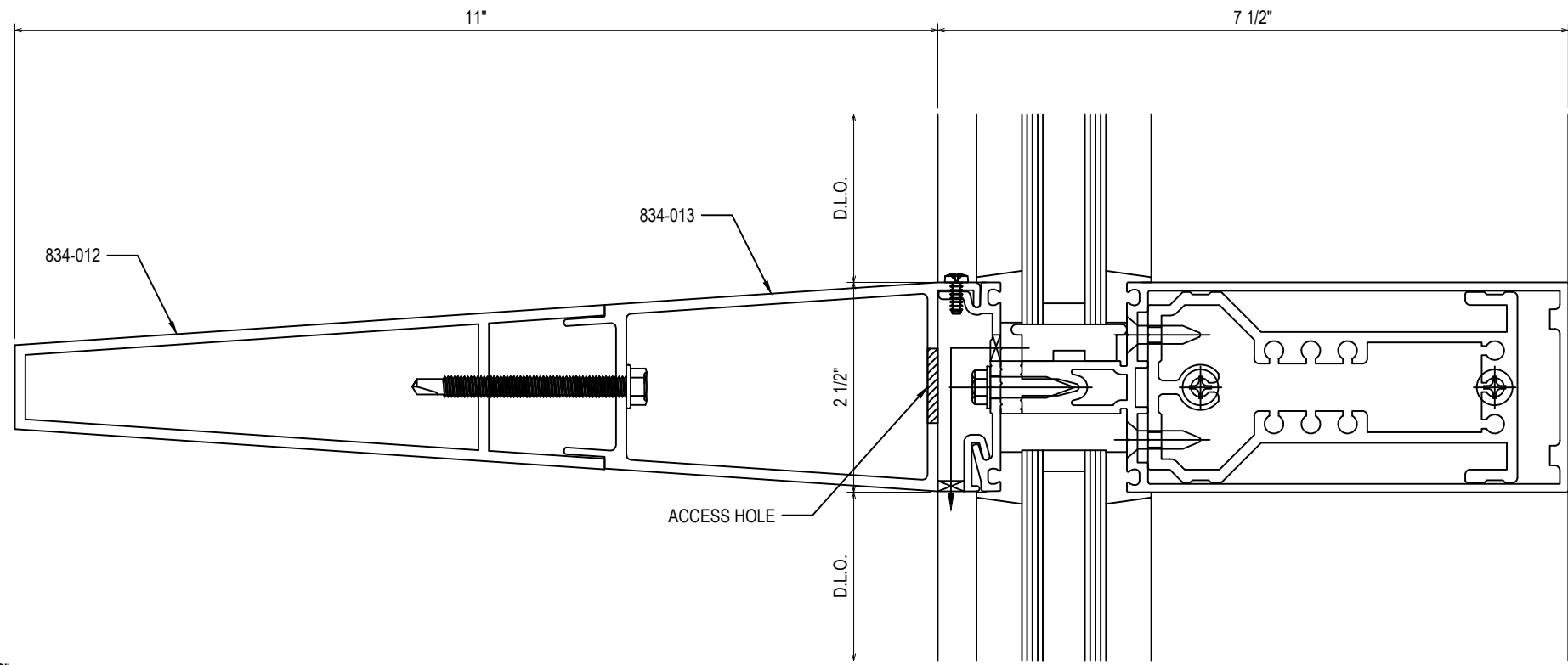
SPRINGFIELD GLASS COMPANY  
2503 NORTH OAK GROVE AVE.  
SPRINGFIELD, MO 65803  
P: 417.883.6555

PROJECT: INNOVATIVE DENTAL CENTER FOR GENERAL & ADVANCED DENTISTRY  
LOCATION: 3192 E. FARM ROAD 188 SPRINGFIELD, MO 65721

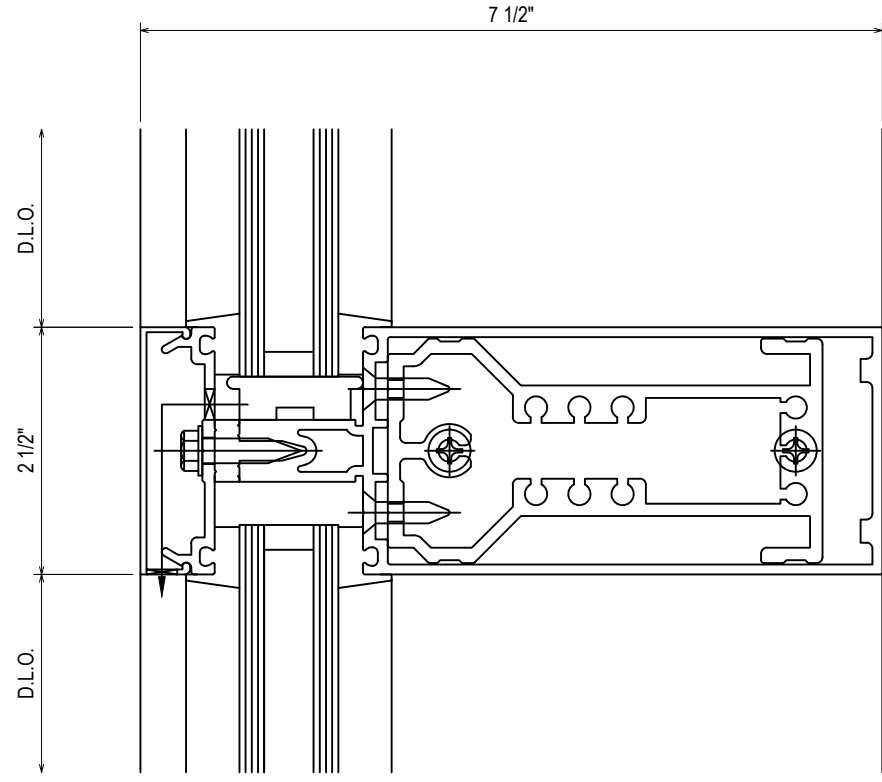
DRAWN BY:	DATE:
RA	01.07.20
CHECKED BY:	DATE:
TF	01.07.20



151  
3.54  
REF: N/A  
F18 - W3



152  
3.54  
REF: N/A  
F18 - W3



153  
3.54  
REF: N/A  
F18 - W3

162378 SHEAR BLOCK  
128920 PRESSURE PLATE  
162003 HORIZONTAL

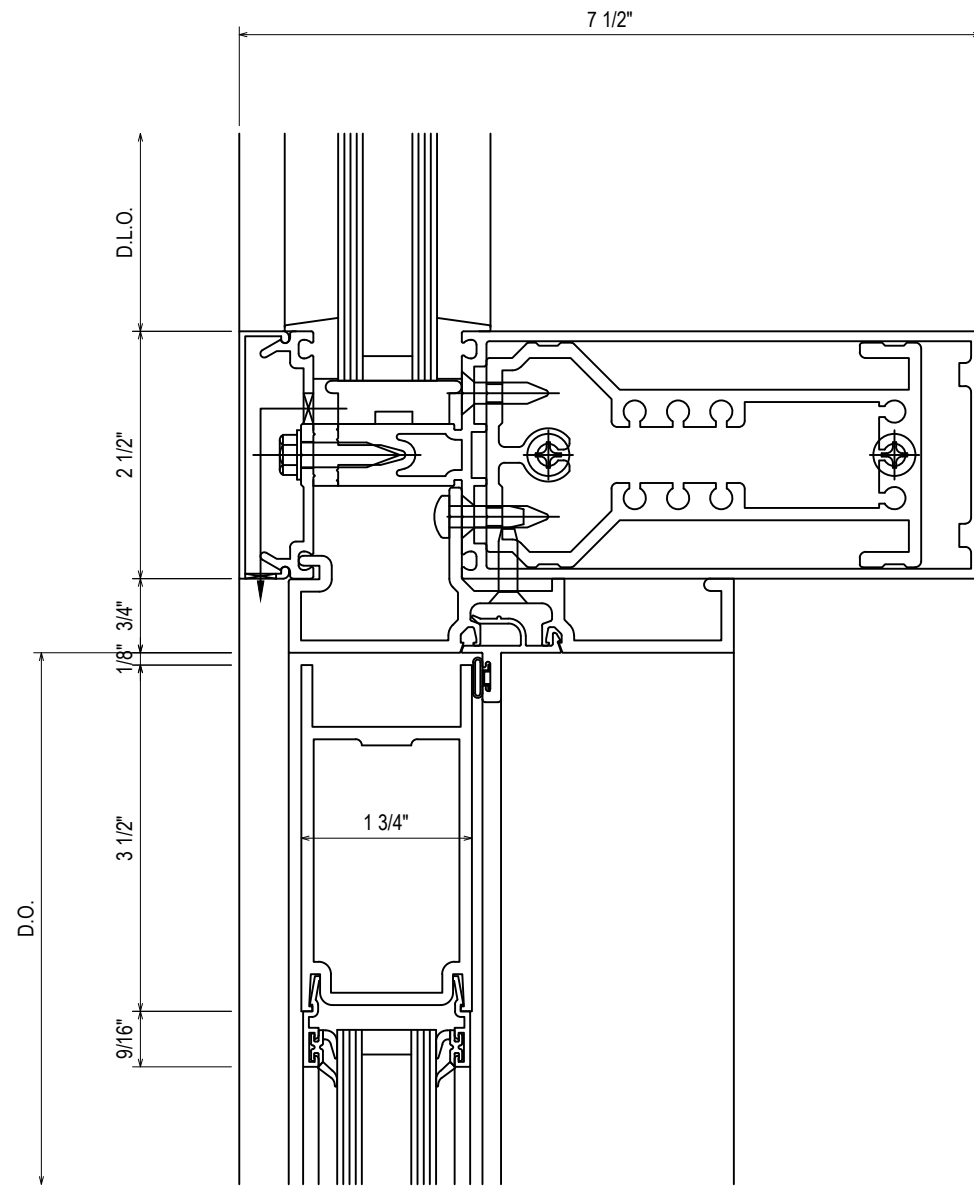
162378 SHEAR BLOCK  
162006 COVER  
162335 PRESSURE PLATE  
162003 HORIZONTAL

1ST SUBMISSION	01.07.20
1ST REVISION	01.23.20
2ND REVISION	03.11.20
NO	DESCRIPTION
	DRAWING SUBMISSION

SPRINGFIELD GLASS COMPANY  
2503 NORTH OAK GROVE AVE.  
SPRINGFIELD, MO 65803  
P: 417.883.6555

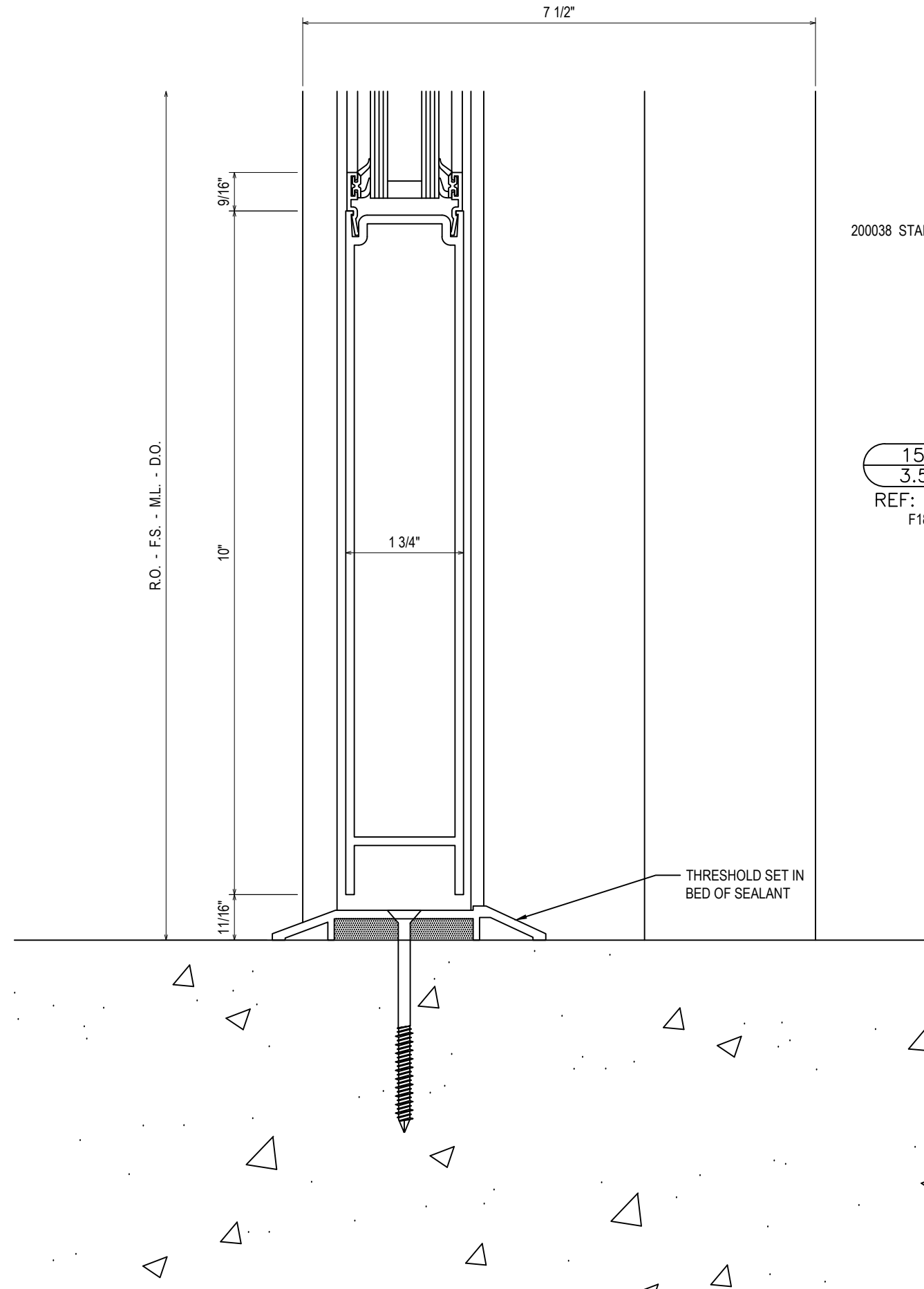
PROJECT: INNOVATIVE DENTAL  
CENTER FOR GENERAL &  
ADVANCED DENTISTRY  
LOCATION: 3192 E. FARM ROAD 188  
SPRINGFIELD, MO 65721

DRAWN BY:	DATE:
RA	01.07.20
CHECKED BY:	DATE:
TF	01.07.20



- 162378 SHEAR BLOCK
- 162006 COVER
- 162335 PRESSURE PLATE
- 162003 HORIZONTAL
- 162043 DOOR ADAPTER
- 450520 DOOR STOP ASS'Y

154  
3.55  
REF: N/A  
F18



155  
3.55  
REF: N/A  
F18

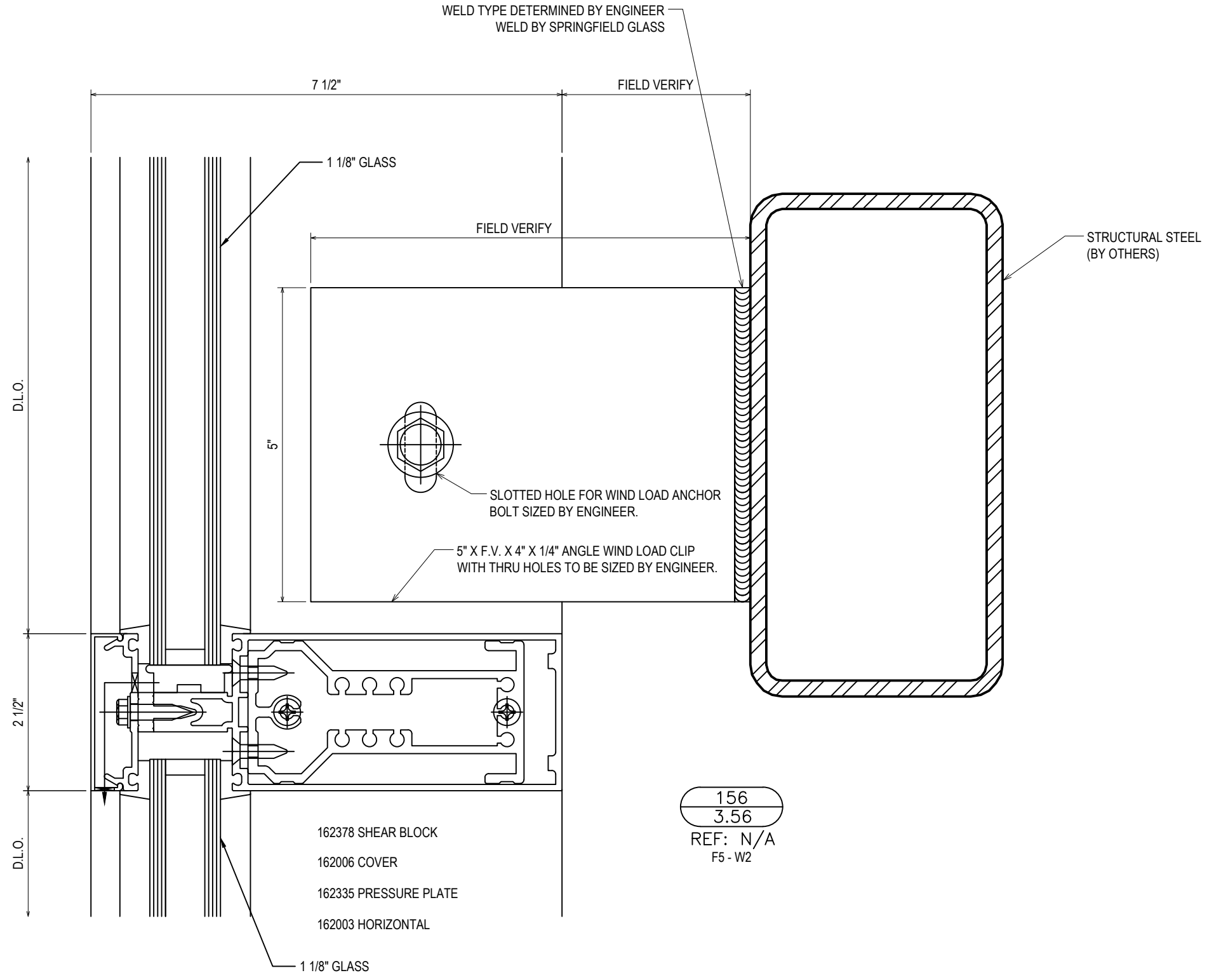
200038 STANDARD 10" RAIL

PROJECT: INNOVATIVE DENTAL CENTER FOR GENERAL & ADVANCED DENTISTRY		LOCATION: 3192 E. FARM ROAD 188 SPRINGFIELD, MO 65721	
1ST SUBMISSION	01.07.20	NO	DESCRIPTION
1ST REVISION	01.23.20	NO	DRAWING SUBMISSION
2ND REVISION	03.11.20	NO	
DATE		DATE	

SPRINGFIELD GLASS COMPANY  
2503 NORTH OAK GROVE AVE.  
SPRINGFIELD, MO 65803  
P: 417.883.6555

DRAWN BY:	DATE:
RA	01.07.20
CHECKED BY:	DATE:
TF	01.07.20

3.55



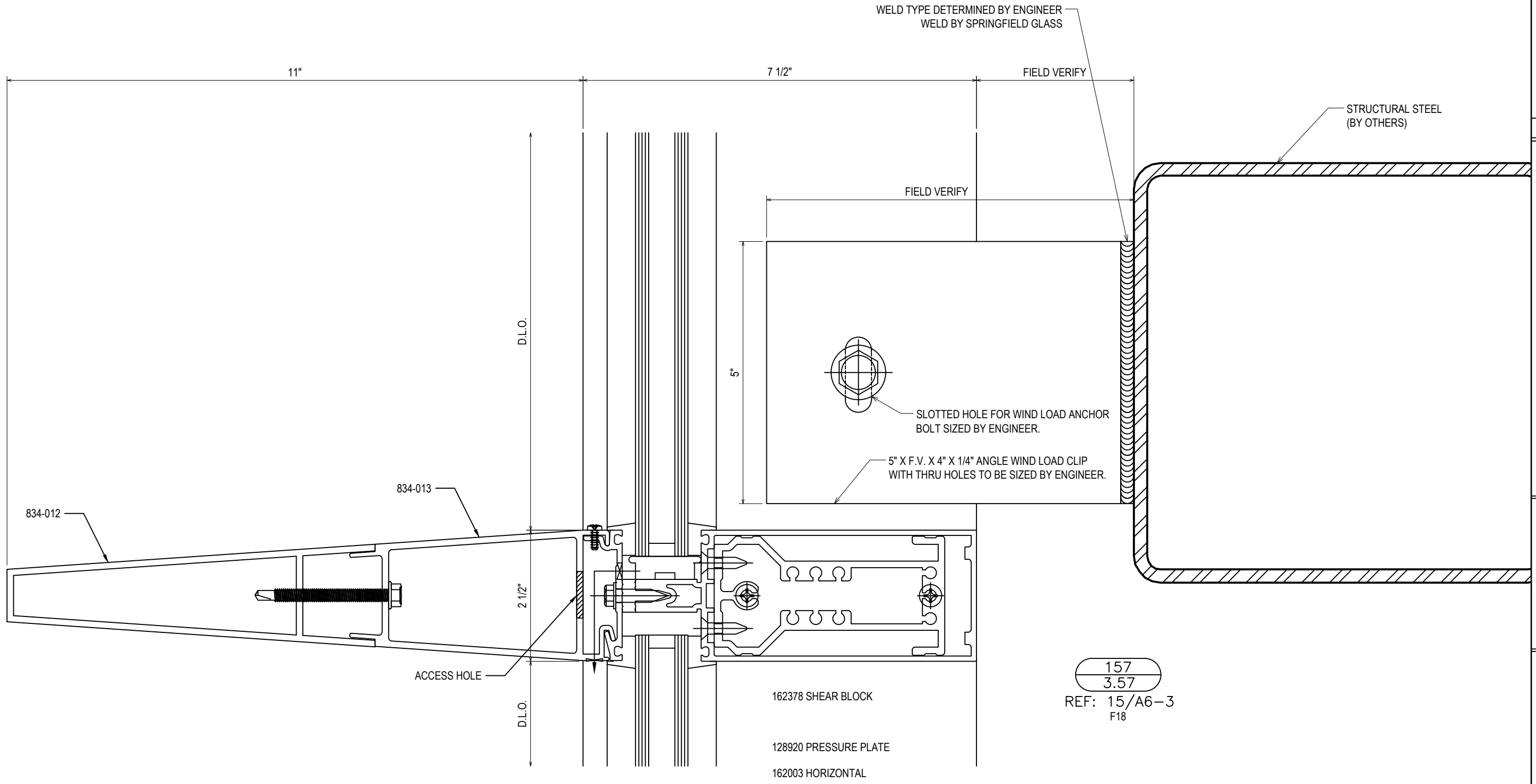
1ST SUBMISSION	01.07.20
1ST REVISION	01.23.20
2ND REVISION	03.11.20
NO	DATE
DESCRIPTION	DRAWING SUBMISSION

SPRINGFIELD GLASS COMPANY  
 2503 NORTH OAK GROVE AVE.  
 SPRINGFIELD, MO 65803  
 P: 417.883.6555

PROJECT: INNOVATIVE DENTAL  
 CENTER FOR GENERAL &  
 ADVANCED DENTISTRY

LOCATION: 3192 E. FARM ROAD 188  
 SPRINGFIELD, MO 65721

DRAWN BY:	DATE:
RA	01.07.20
CHECKED BY:	DATE:
TF	01.07.20



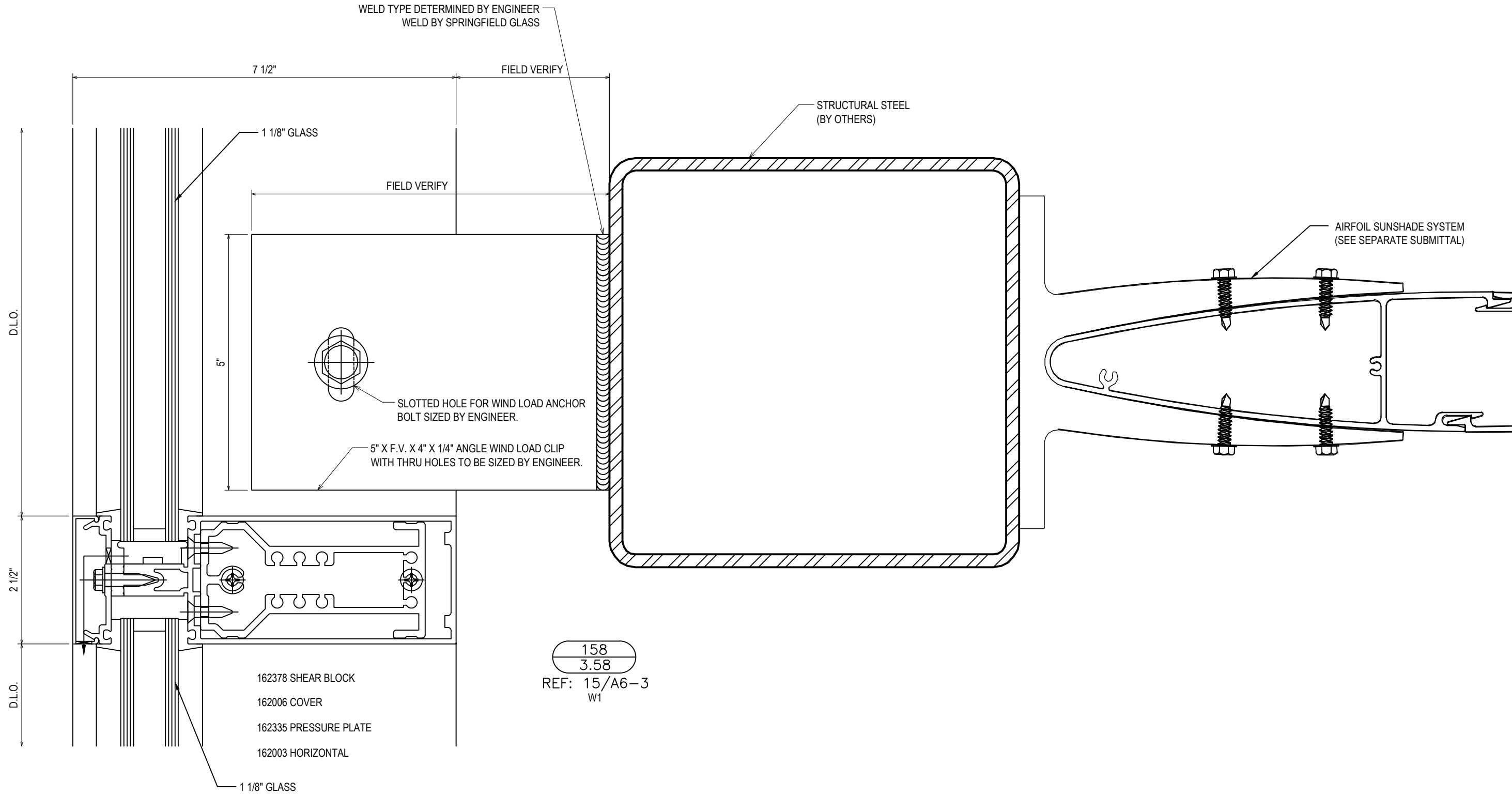
1ST SUBMISSION	01.07.20
1ST REVISION	01.23.20
2ND REVISION	03.11.20
NO	DATE
DESCRIPTION	DRAWING SUBMISSION

SPRINGFIELD GLASS COMPANY  
 2503 NORTH OAK GROVE AVE.  
 SPRINGFIELD, MO 65803  
 P: 417.883.6555

PROJECT: INNOVATIVE DENTAL  
 CENTER FOR GENERAL &  
 ADVANCED DENTISTRY  
 LOCATION: 3192 E. FARM ROAD 188  
 SPRINGFIELD, MO 65721

DRAWN BY:	DATE:
RA	01.07.20
CHECKED BY:	DATE:
TF	01.07.20





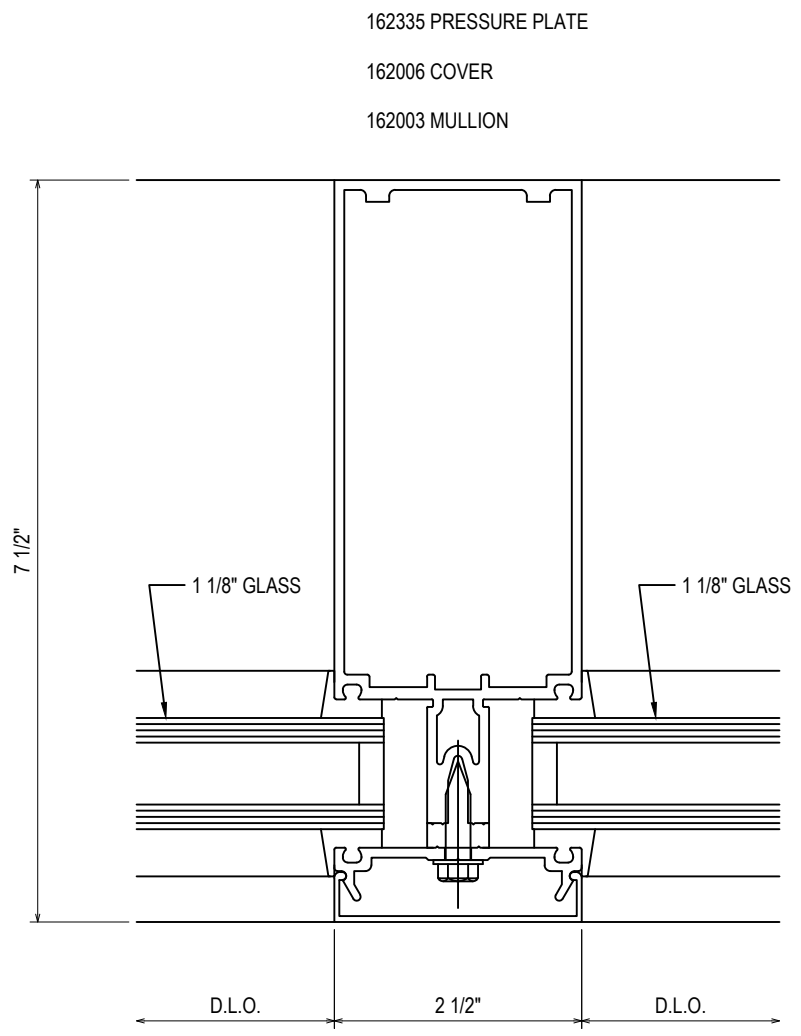
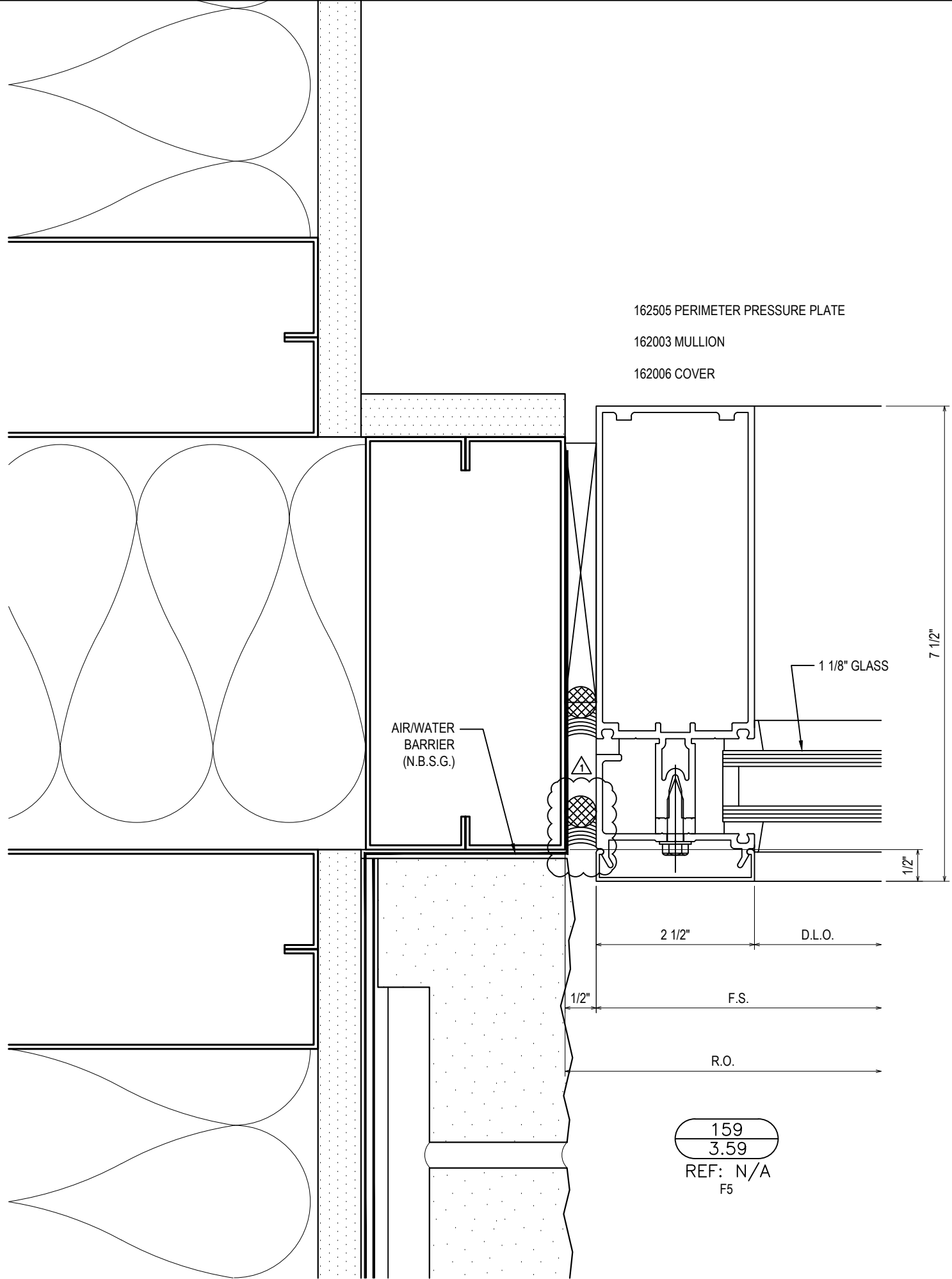
1ST SUBMISSION	01.07.20
1ST REVISION	01.23.20
2ND REVISION	03.11.20
NO	DESCRIPTION
	DRAWING SUBMISSION
	DATE

PROJECT: INNOVATIVE DENTAL  
CENTER FOR GENERAL &  
ADVANCED DENTISTRY

LOCATION: 3192 E. FARM ROAD 188  
SPRINGFIELD, MO 65721

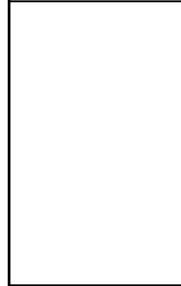
SPRINGFIELD GLASS COMPANY  
2503 NORTH OAK GROVE AVE.  
SPRINGFIELD, MO 65803  
P: 417.883.6555

DRAWN BY:	DATE:
RA	01.07.20
CHECKED BY:	DATE:
TF	01.07.20



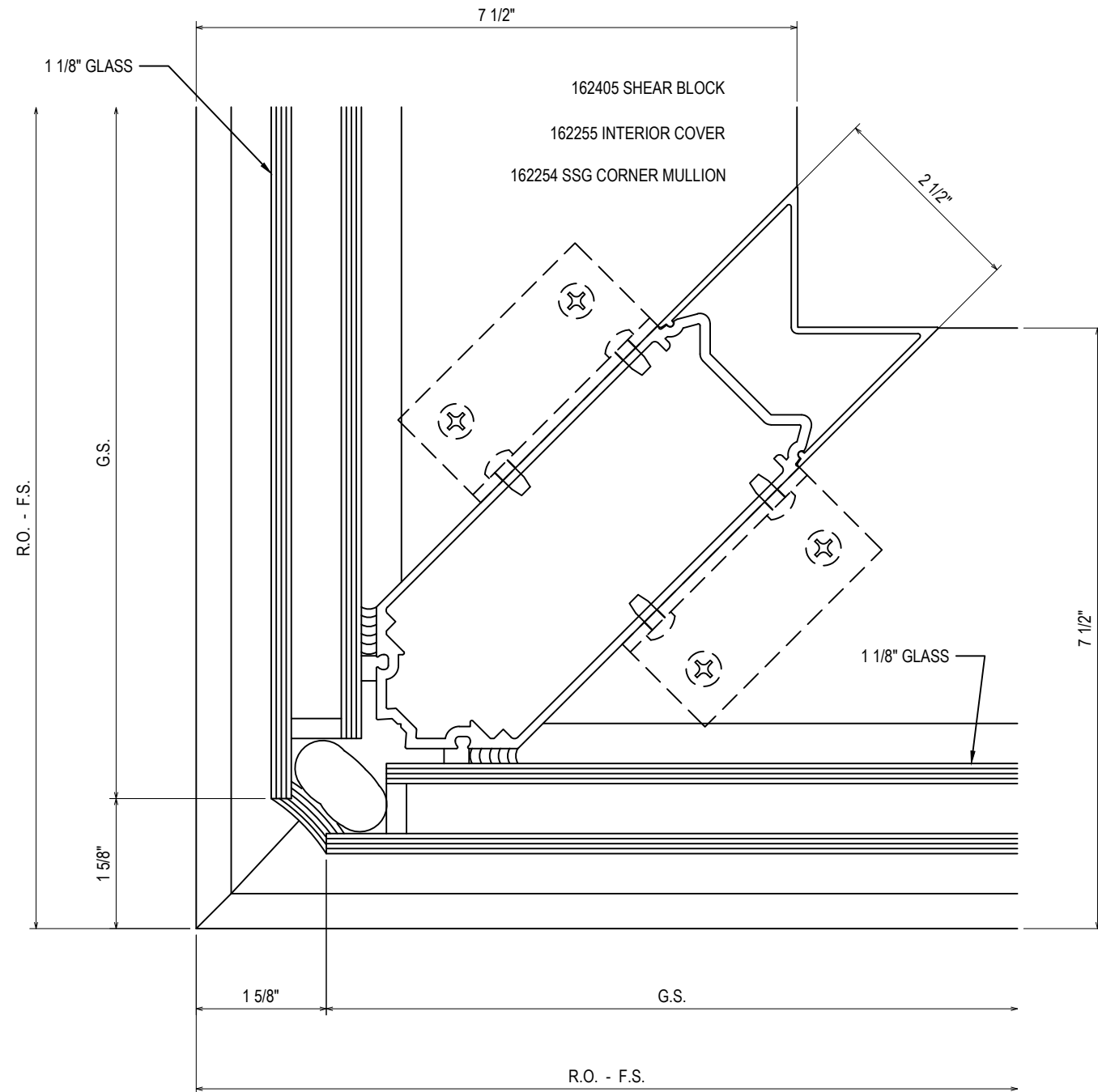
1ST SUBMISSION	01.07.20
1ST REVISION	01.23.20
2ND REVISION	03.11.20
NO	DESCRIPTION
	DRAWING SUBMISSION

SPRINGFIELD GLASS COMPANY  
2503 NORTH OAK GROVE AVE.  
SPRINGFIELD, MO 65803  
P: 417.883.6555

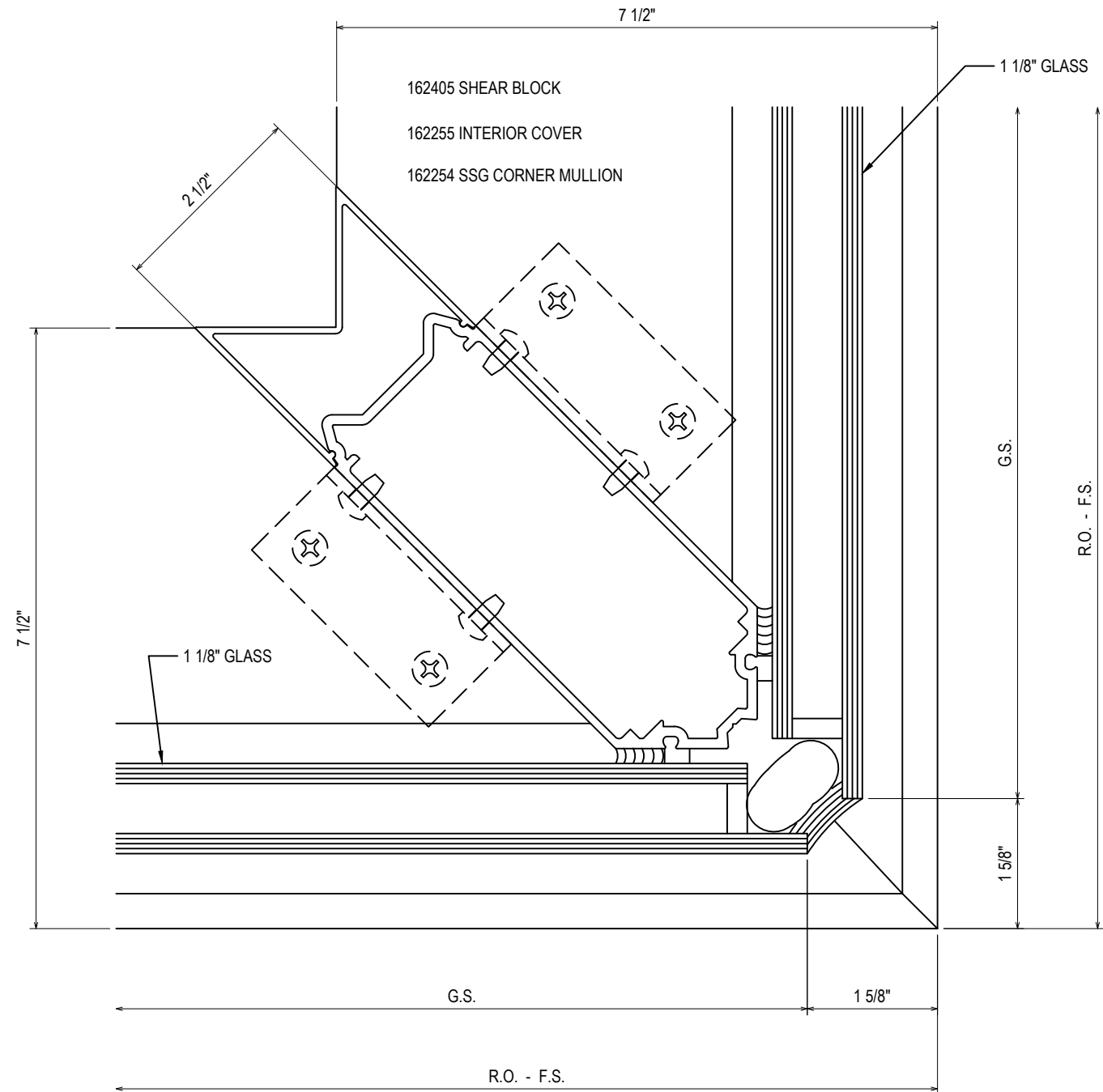


PROJECT: INNOVATIVE DENTAL CENTER FOR GENERAL & ADVANCED DENTISTRY  
LOCATION: 3192 E. FARM ROAD 188 SPRINGFIELD, MO 65721

DRAWN BY:	DATE:
RA	01.07.20
CHECKED BY:	DATE:
TF	01.07.20



161  
3.60  
REF: N/A  
W1 - W2



162  
3.60  
REF: N/A  
F5 - W1

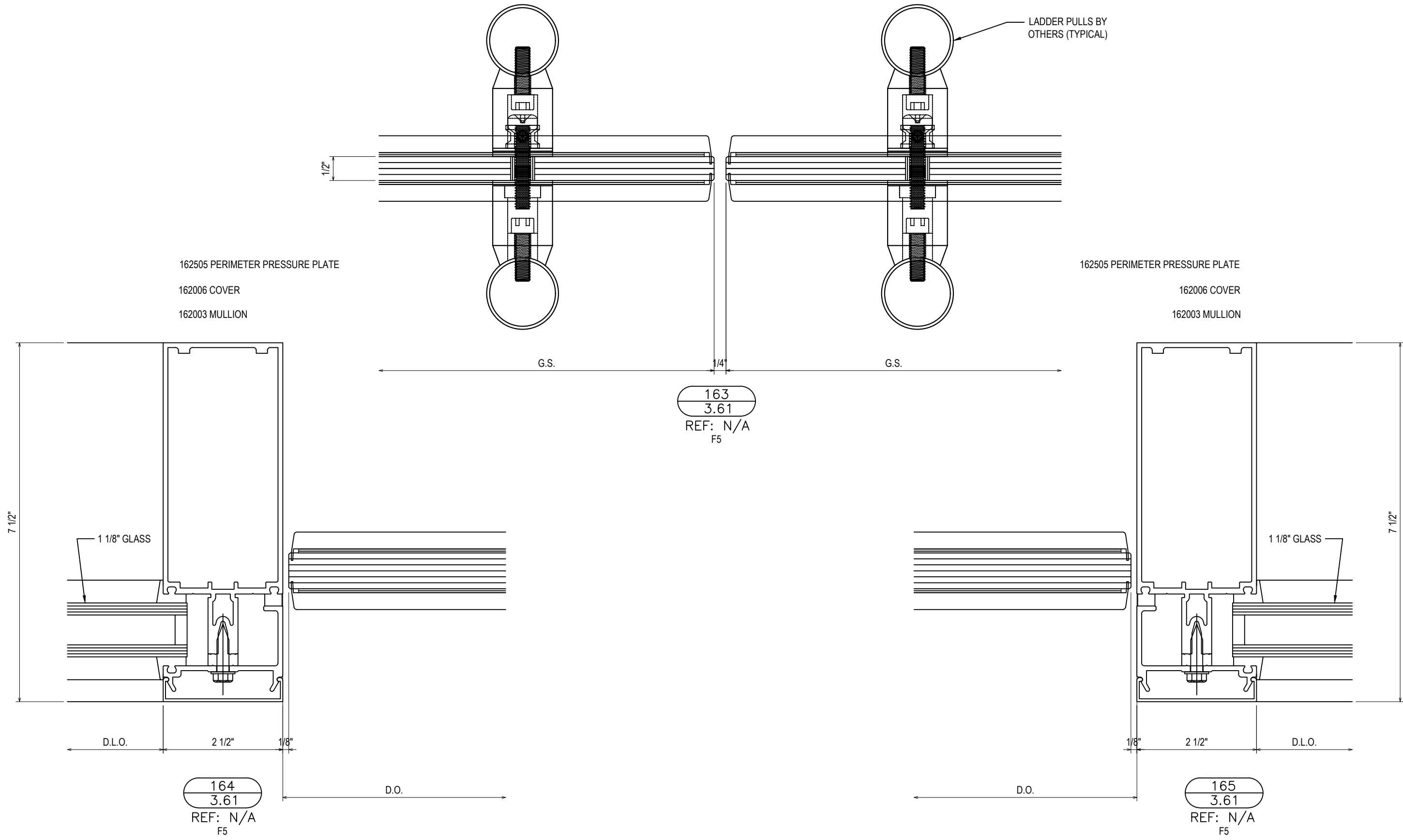
1ST SUBMISSION	01.07.20
1ST REVISION	01.23.20
2ND REVISION	03.11.20
NO	DATE
DRAWING SUBMISSION	

PROJECT: INNOVATIVE DENTAL  
CENTER FOR GENERAL &  
ADVANCED DENTISTRY  
LOCATION: 3192 E. FARM ROAD 188  
SPRINGFIELD, MO 65721

SPRINGFIELD GLASS COMPANY  
2503 NORTH OAK GROVE AVE.  
SPRINGFIELD, MO 65803  
P: 417.883.6555

DATE	01.07.20
DATE	01.07.20
DATE	01.07.20

DRAWN BY:	RA	DATE:	01.07.20
CHECKED BY:	TF	DATE:	01.07.20



1	1ST SUBMISSION	01.07.20
2	1ST REVISION	01.23.20
3	2ND REVISION	03.11.20
NO	DESCRIPTION	DATE
DRAWING SUBMISSION		

PROJECT: INNOVATIVE DENTAL CENTER FOR GENERAL & ADVANCED DENTISTRY		
LOCATION: 3192 E. FARM ROAD 188 SPRINGFIELD, MO 65721		
DRAWING SUBMISSION		

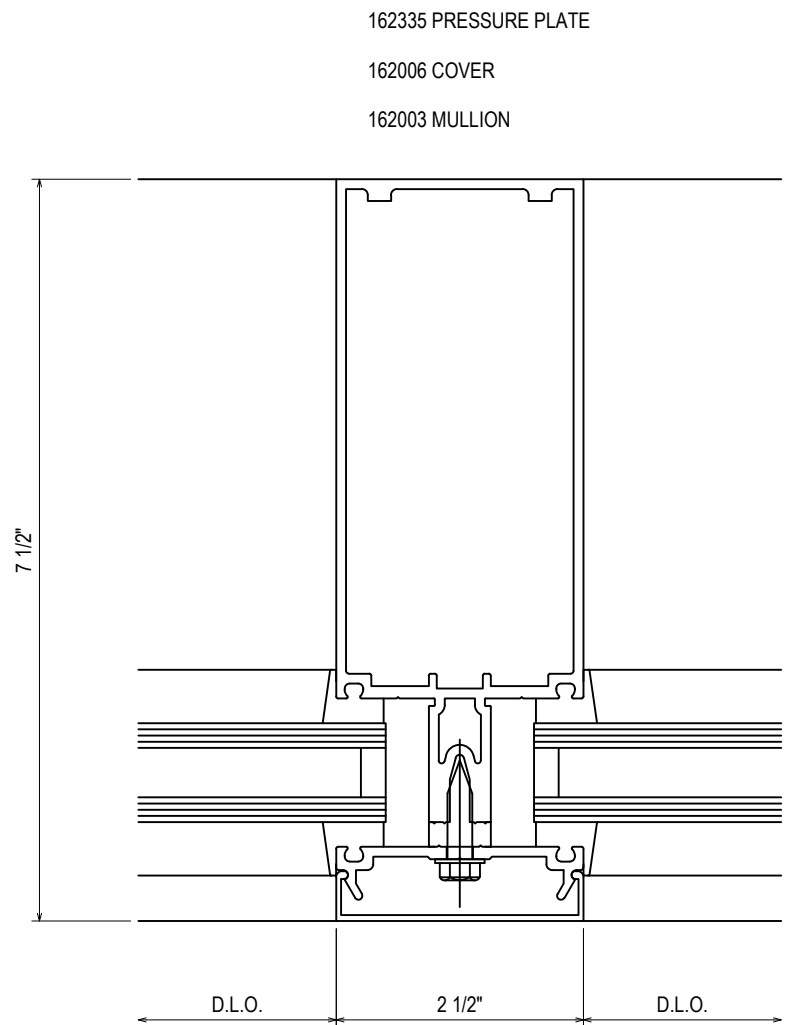
SPRINGFIELD GLASS COMPANY  
 2503 NORTH OAK GROVE AVE.  
 SPRINGFIELD, MO 65803  
 P: 417.883.6555

163	3.61	REF: N/A	F5
-----	------	----------	----

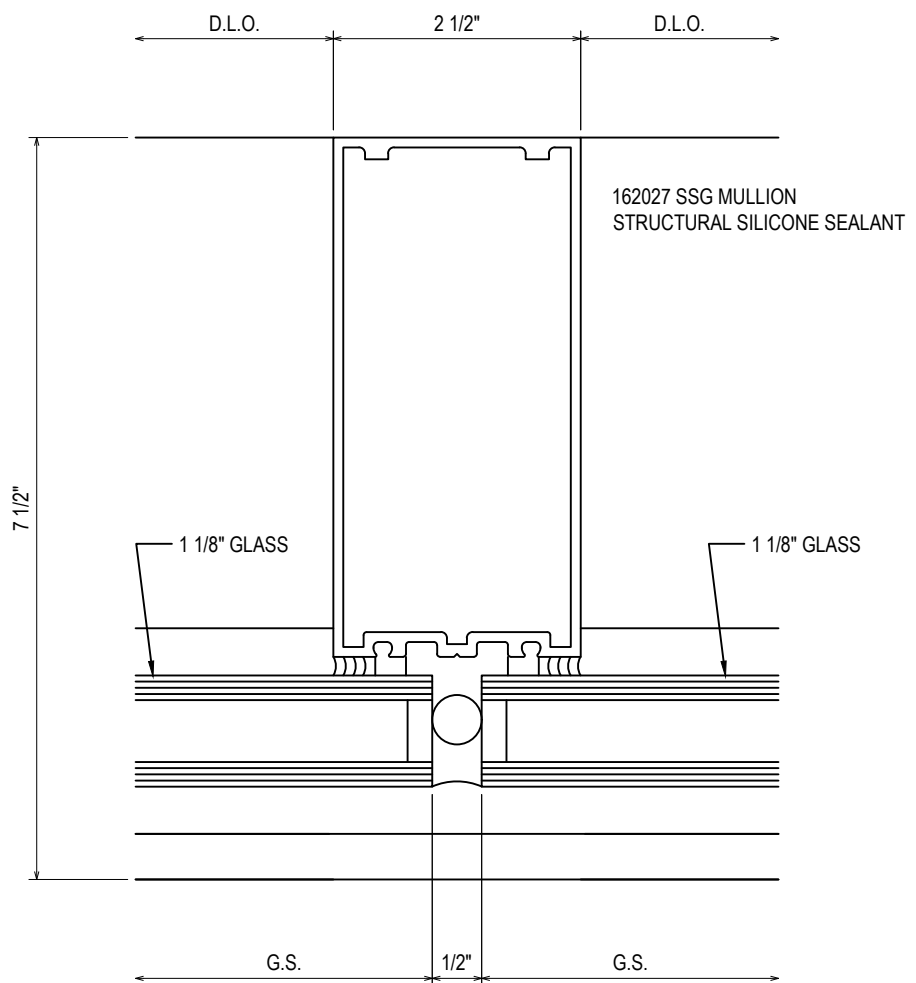
164	3.61	REF: N/A	F5
-----	------	----------	----

165	3.61	REF: N/A	F5
-----	------	----------	----

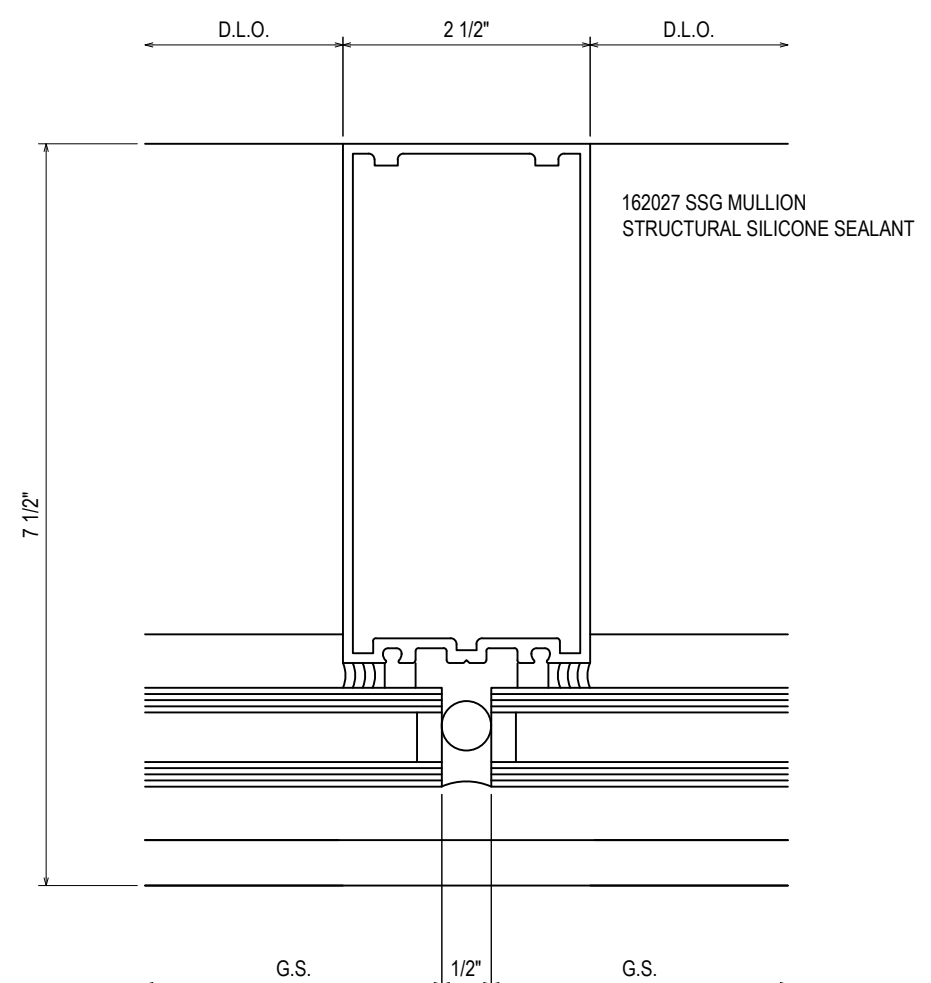
DRAWN BY:	DATE:
RA	01.07.20
CHECKED BY:	DATE:
TF	01.07.20



166  
3.62  
REF: N/A  
F18 - W3



167  
3.62  
REF: N/A  
W1 - W2



168  
3.62  
REF: N/A  
W3

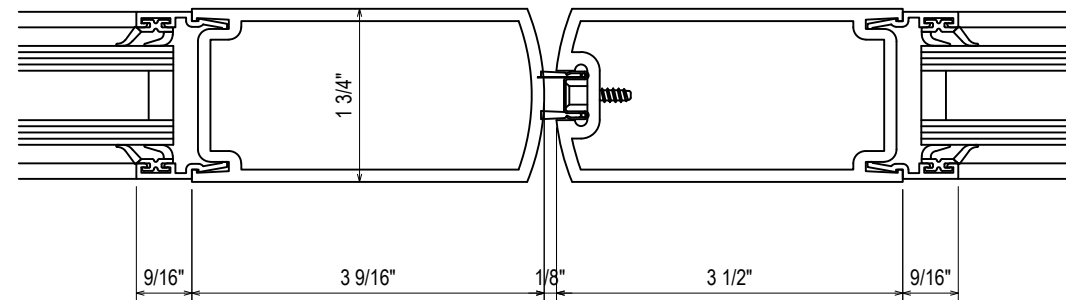
1ST SUBMISSION	01.07.20
1ST REVISION	01.23.20
2ND REVISION	03.11.20
NO	DATE
DESCRIPTION	DRAWING SUBMISSION

SPRINGFIELD GLASS COMPANY  
2503 NORTH OAK GROVE AVE.  
SPRINGFIELD, MO 65803  
P: 417.883.6555

PROJECT: INNOVATIVE DENTAL  
CENTER FOR GENERAL &  
ADVANCED DENTISTRY  
LOCATION: 3192 E. FARM ROAD 188  
SPRINGFIELD, MO 65721

DRAWN BY:	DATE:
RA	01.07.20
CHECKED BY:	DATE:
TF	01.07.20

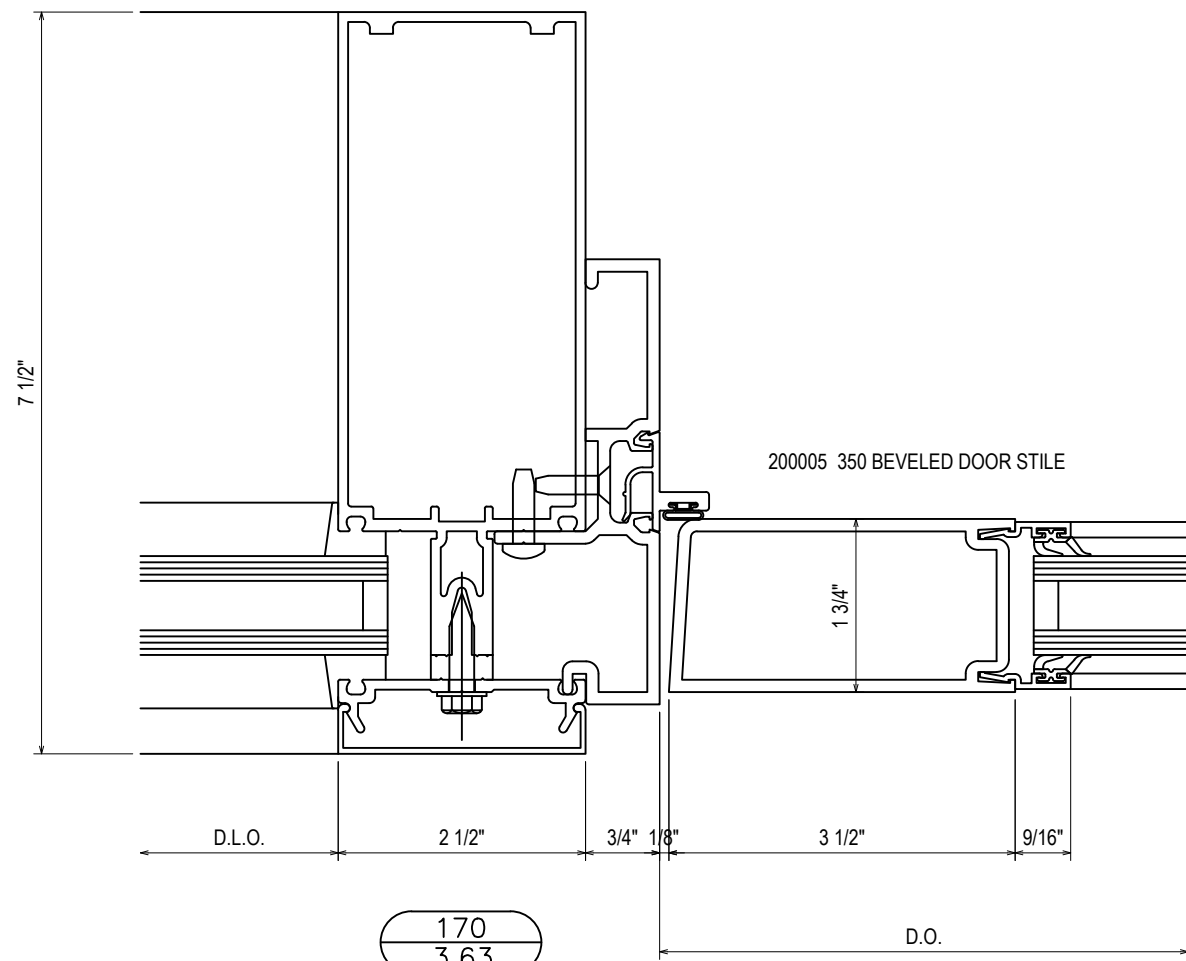
200006 350 ACTIVE STILE  
 200007 350 INACTIVE STILE  
 200496 ADJUSTABLE ASTRAGAL



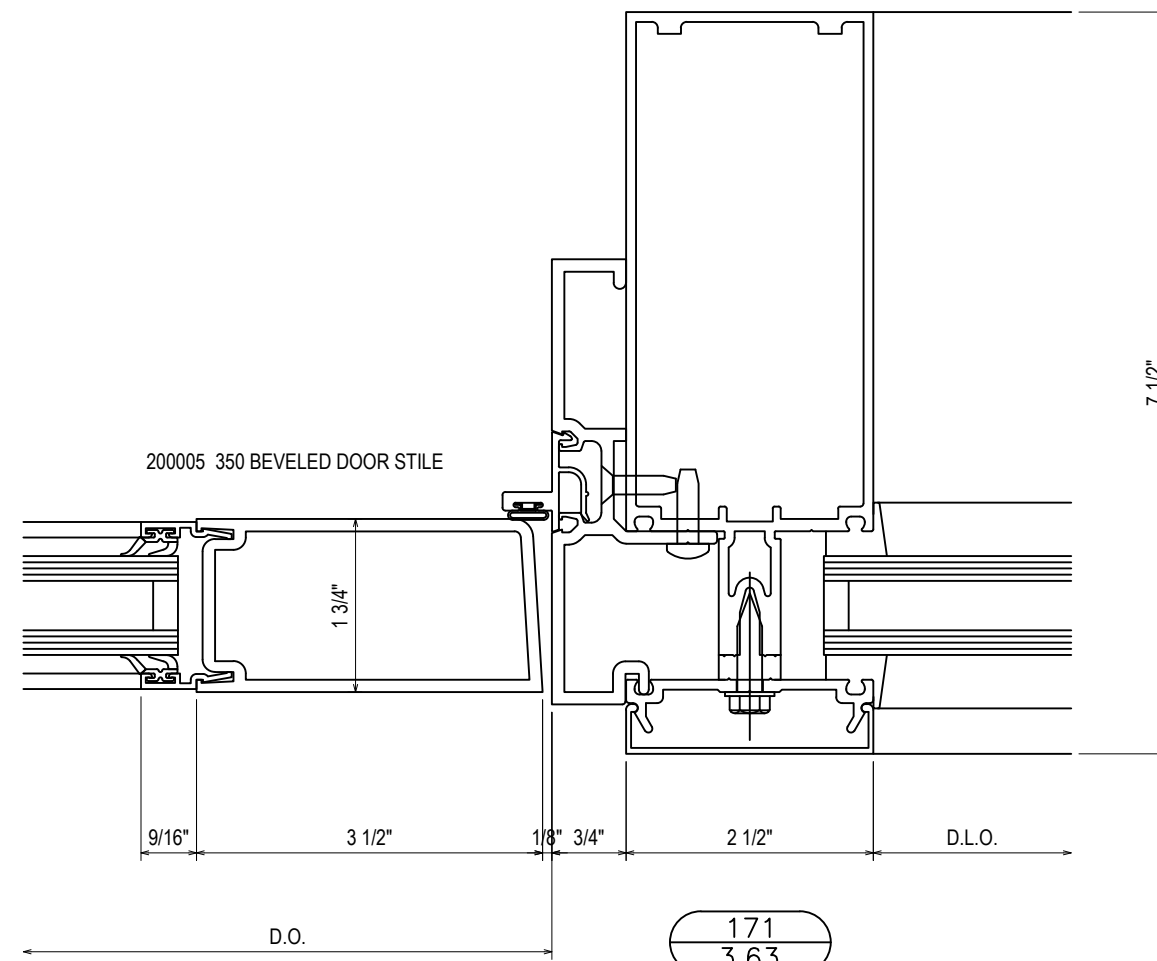
162335 PRESSURE PLATE  
 162006 COVER  
 162003 MULLION

162335 PRESSURE PLATE  
 162006 COVER  
 162003 MULLION

169  
 3.63  
 REF: N/A  
 F18



170  
 3.63  
 REF: N/A  
 F18



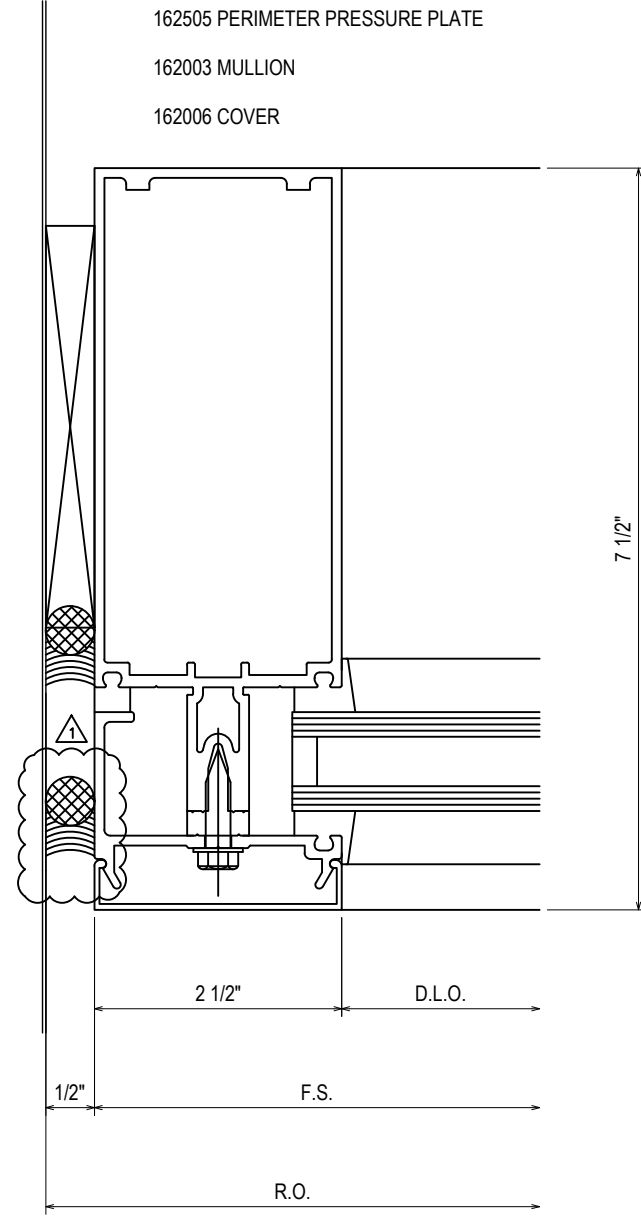
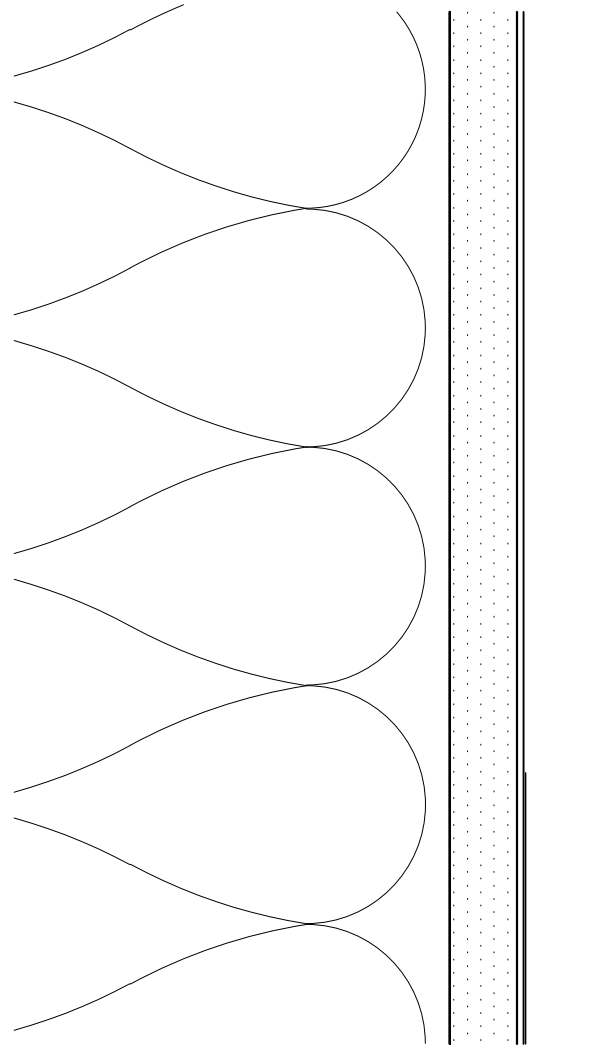
171  
 3.63  
 REF: N/A  
 F18

NO	DESCRIPTION	DATE
1	1ST SUBMISSION	01.07.20
1	1ST REVISION	01.23.20
2	2ND REVISION	03.11.20
NO	DESCRIPTION	DATE
	DRAWING SUBMISSION	

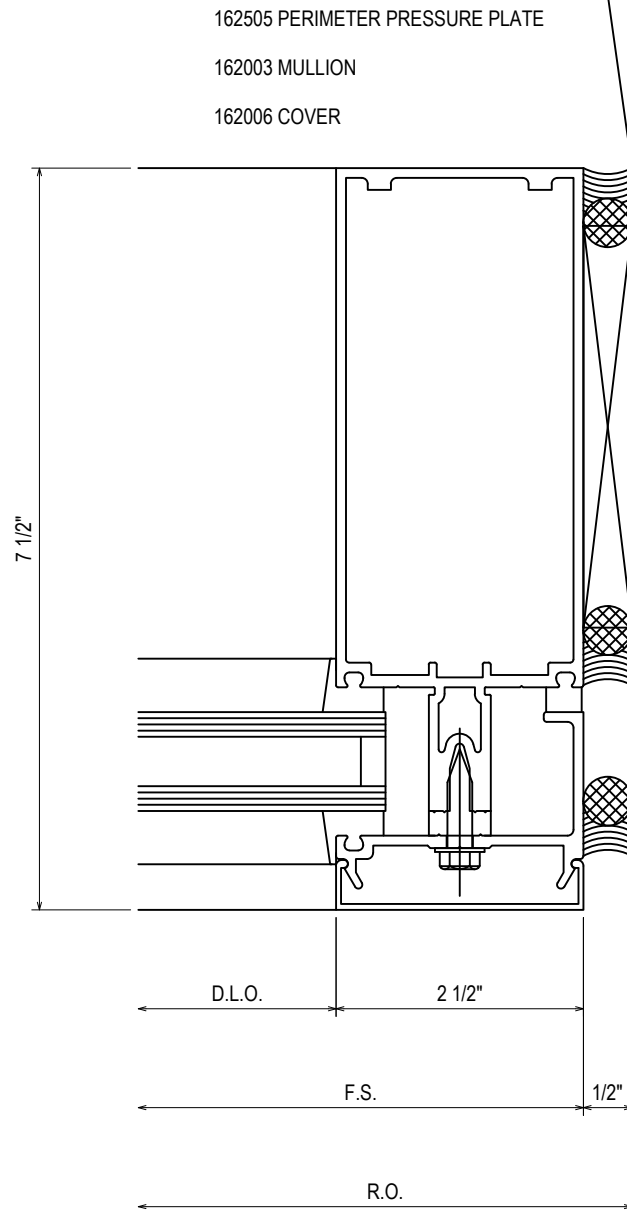
SPRINGFIELD GLASS COMPANY  
 2503 NORTH OAK GROVE AVE.  
 SPRINGFIELD, MO 65803  
 P: 417.883.6555

PROJECT: INNOVATIVE DENTAL  
 CENTER FOR GENERAL &  
 ADVANCED DENTISTRY  
 LOCATION: 3192 E. FARM ROAD 188  
 SPRINGFIELD, MO 65721

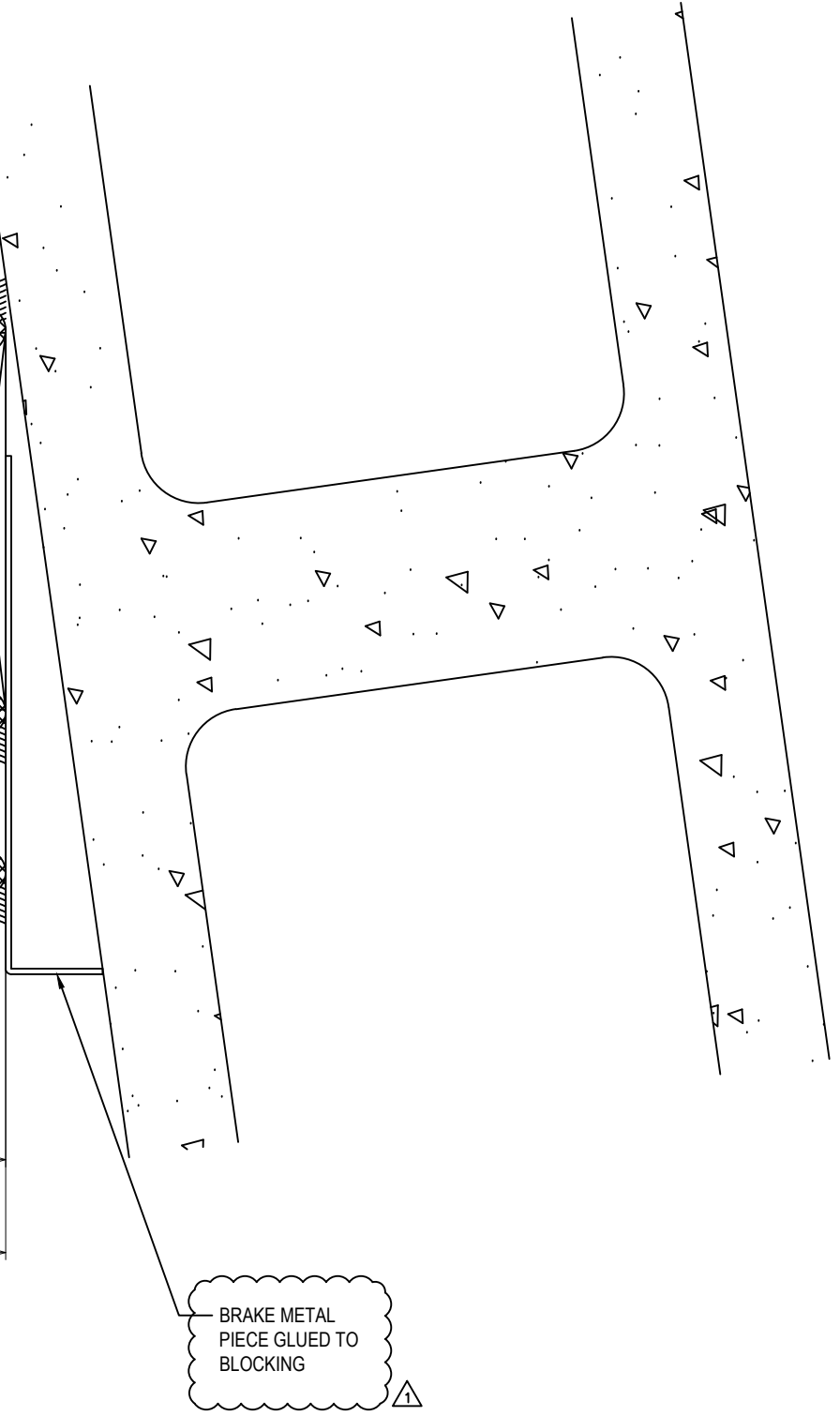
DRAWN BY:	DATE:
RA	01.07.20
CHECKED BY:	DATE:
TF	01.07.20



172  
3.64  
REF: N/A  
F18



173  
3.64  
REF: N/A  
F18



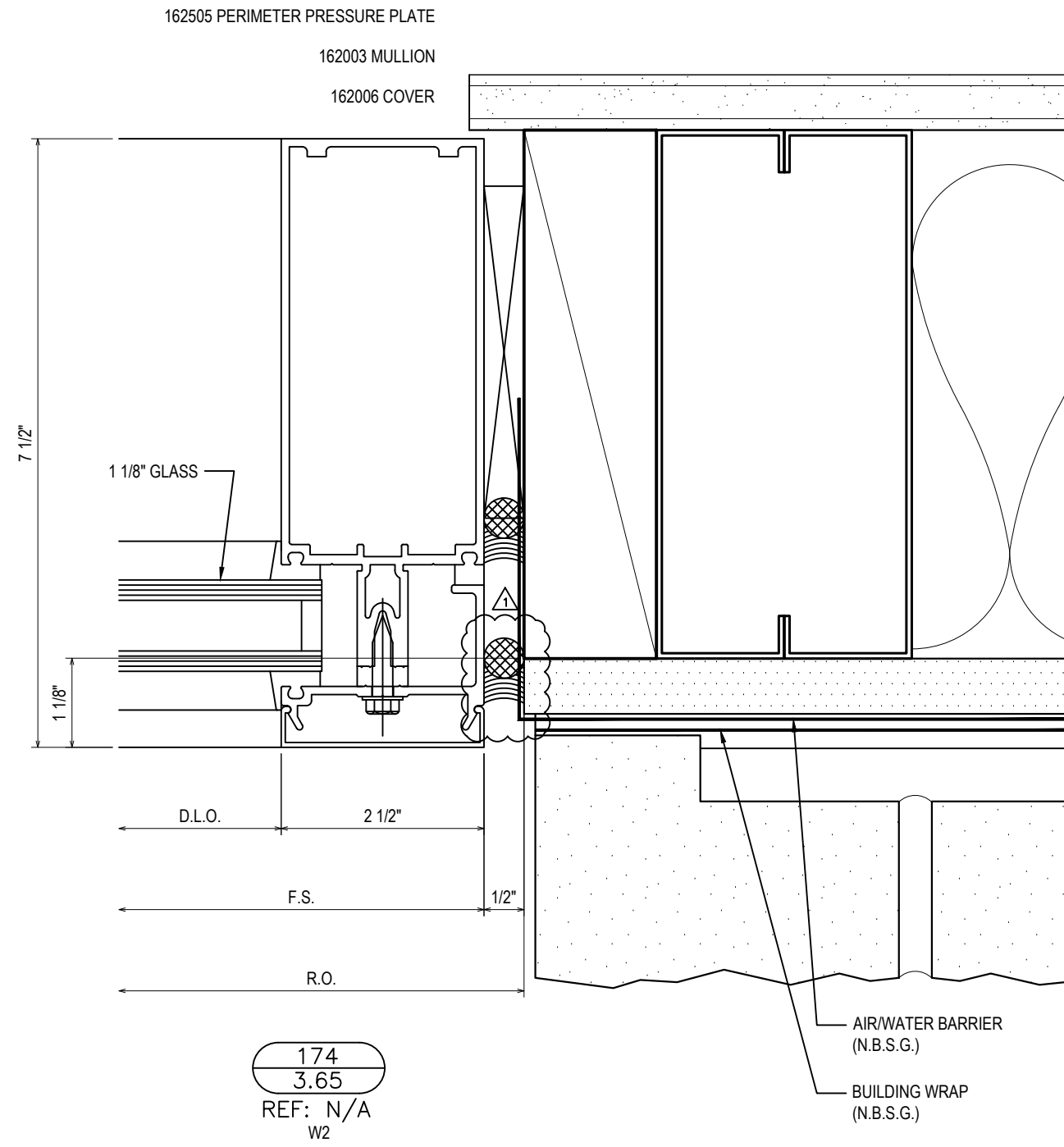
NO	DESCRIPTION	DATE
1	1ST SUBMISSION	01.07.20
1	1ST REVISION	01.23.20
2	2ND REVISION	03.11.20
	DRAWING SUBMISSION	

SPRINGFIELD GLASS COMPANY  
2503 NORTH OAK GROVE AVE.  
SPRINGFIELD, MO 65803  
P: 417.883.6555



PROJECT: INNOVATIVE DENTAL  
CENTER FOR GENERAL &  
ADVANCED DENTISTRY  
LOCATION: 3192 E. FARM ROAD 188  
SPRINGFIELD, MO 65721

DRAWN BY:	RA	DATE:	01.07.20
CHECKED BY:	TF	DATE:	01.07.20



1ST SUBMISSION	01.07.20
1ST REVISION	01.23.20
2ND REVISION	03.11.20
NO	DATE
DRAWING SUBMISSION	

SPRINGFIELD GLASS COMPANY  
 2503 NORTH OAK GROVE AVE.  
 SPRINGFIELD, MO 65803  
 P: 417.883.6555

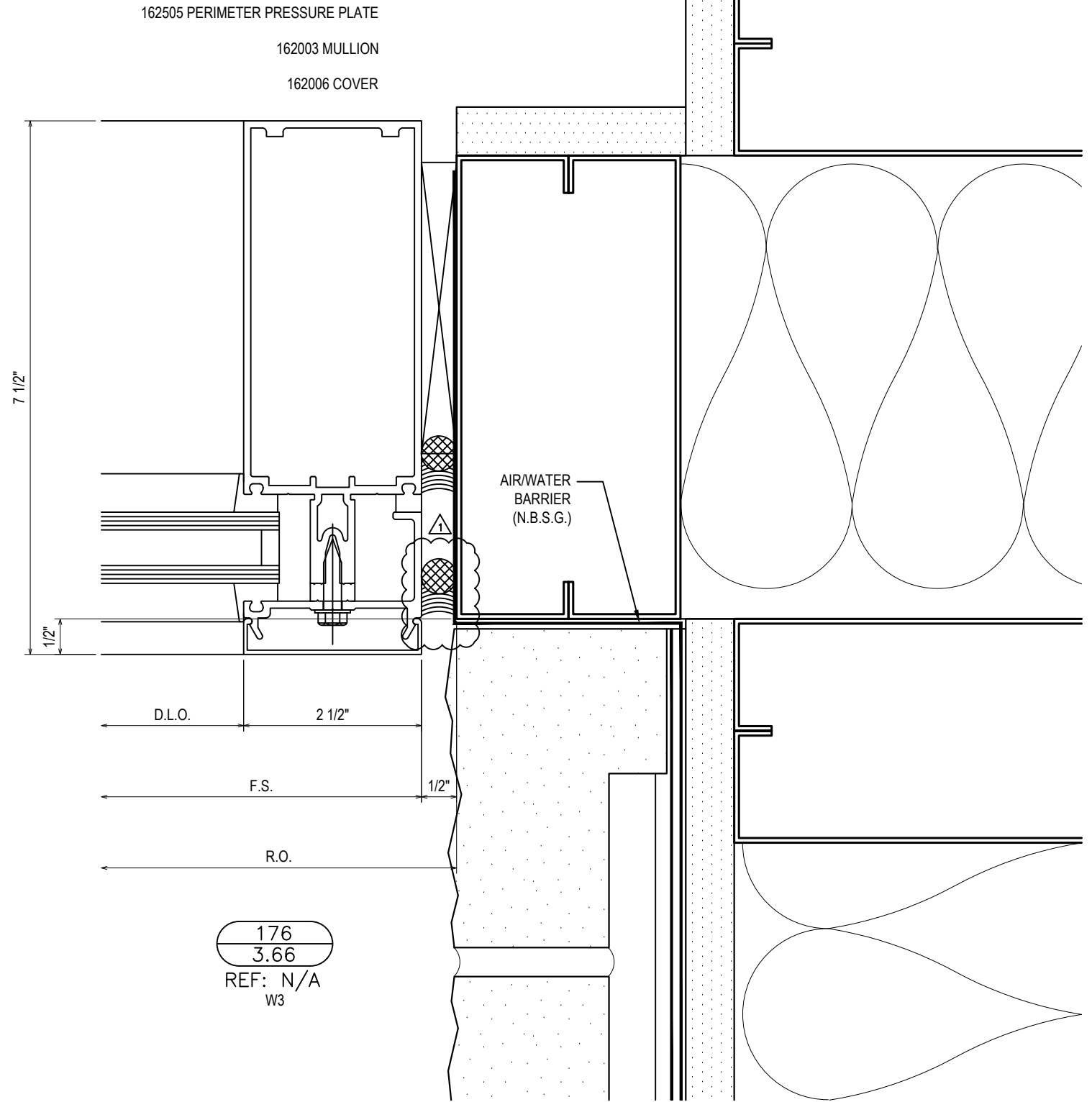
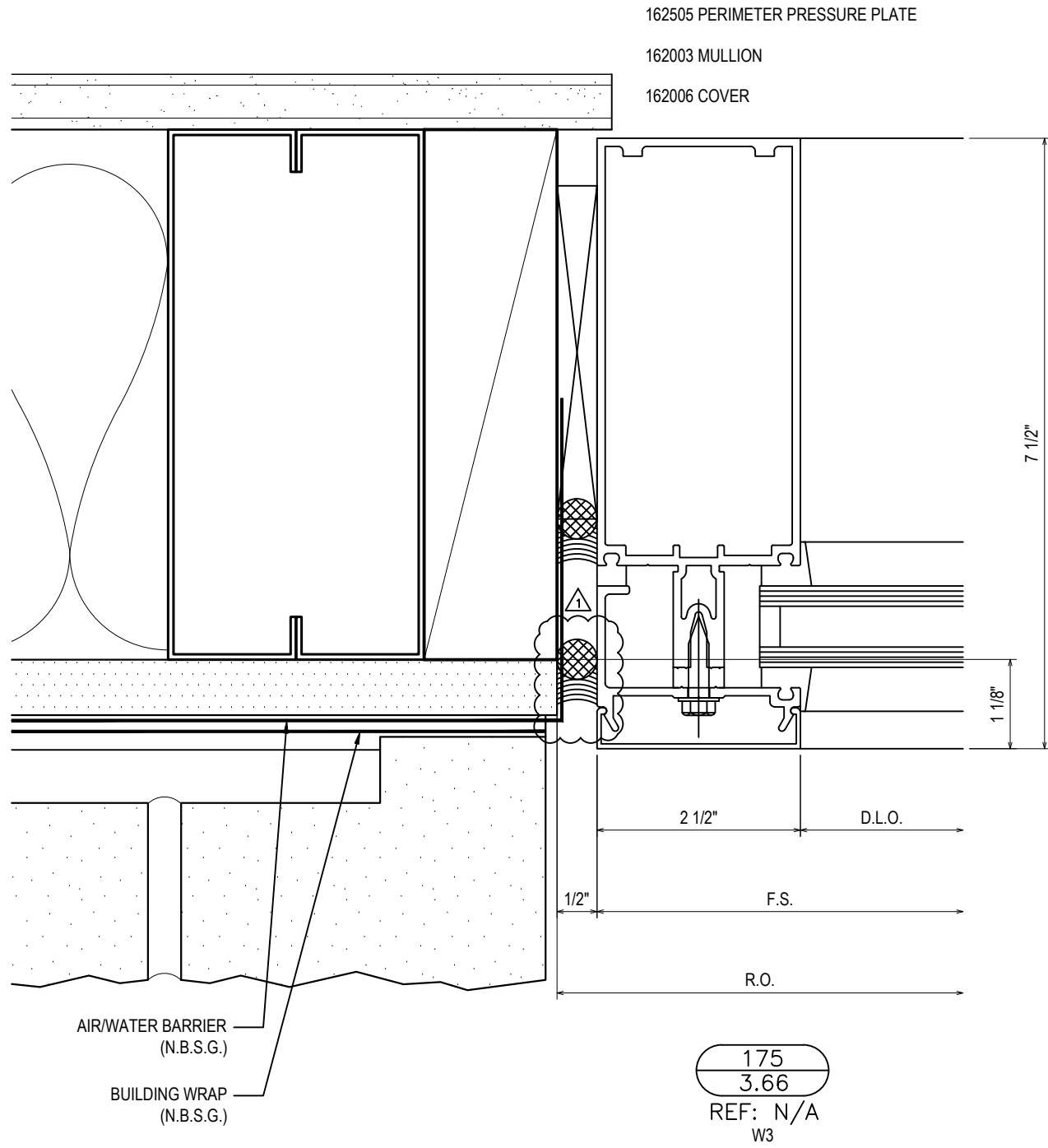
PROJECT: INNOVATIVE DENTAL  
 CENTER FOR GENERAL &  
 ADVANCED DENTISTRY

LOCATION: 3192 E. FARM ROAD 188  
 SPRINGFIELD, MO 65721

DRAWN BY:	DATE:
RA	01.07.20
CHECKED BY:	DATE:
TF	01.07.20

**3.65**





1ST SUBMISSION	01.07.20
1ST REVISION	01.23.20
2ND REVISION	03.11.20
NO	DATE
DRAWING SUBMISSION	

PROJECT: INNOVATIVE DENTAL  
CENTER FOR GENERAL &  
ADVANCED DENTISTRY

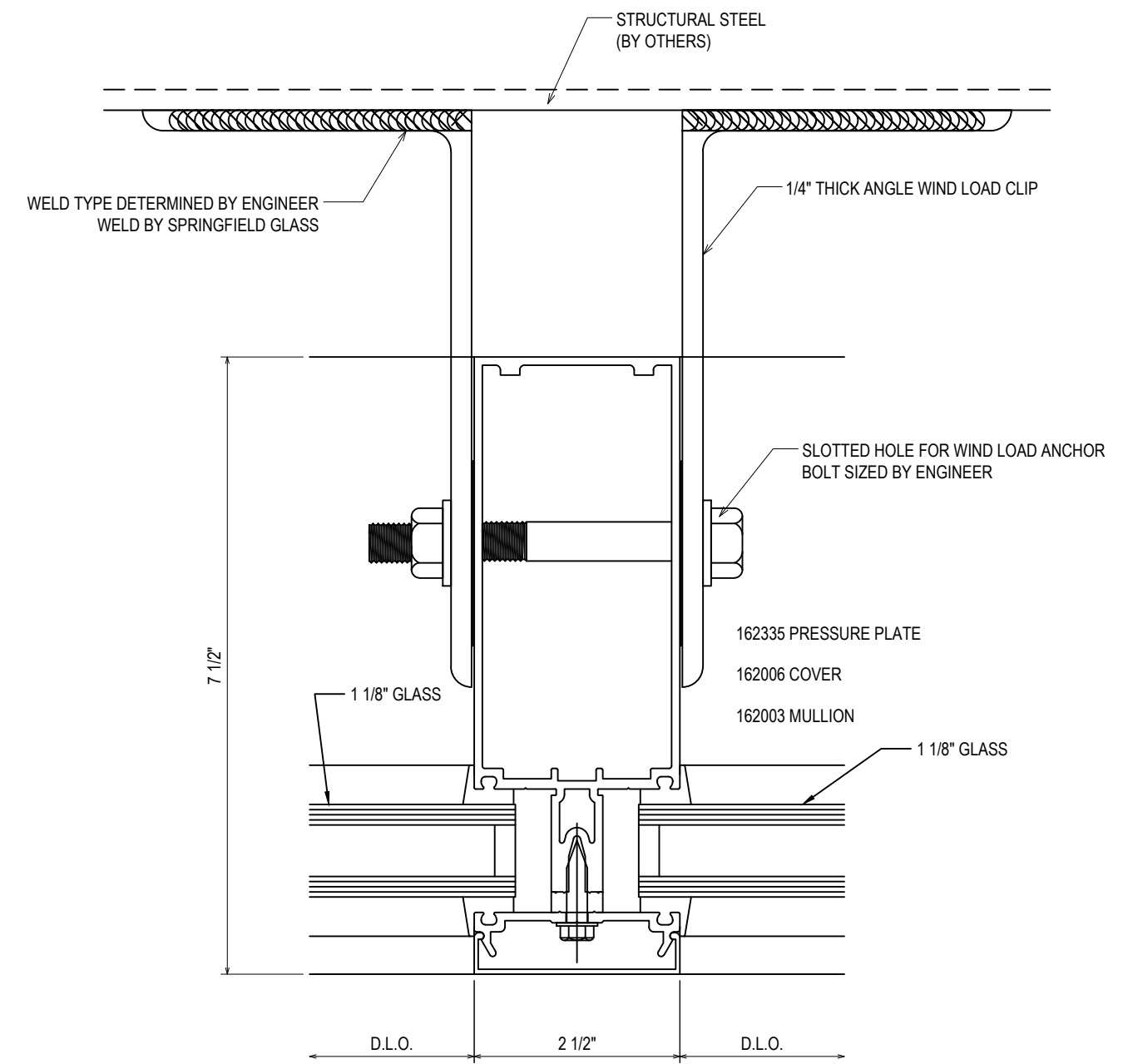
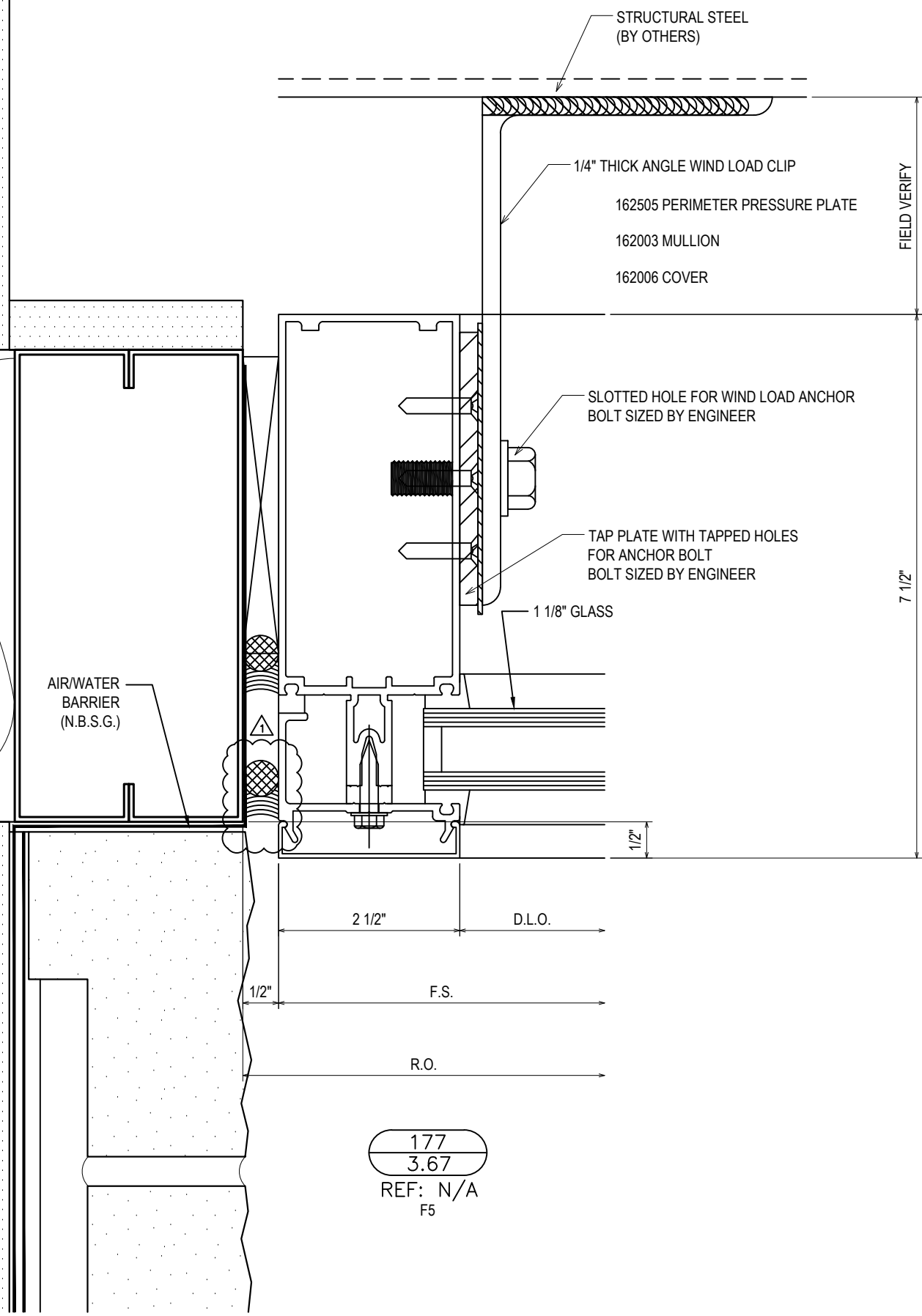
LOCATION: 3192 E. FARM ROAD 188  
SPRINGFIELD, MO 65721

SPRINGFIELD GLASS COMPANY  
2503 NORTH OAK GROVE AVE.  
SPRINGFIELD, MO 65803  
P: 417.883.6555

DRAWN BY:	DATE:
RA	01.07.20
CHECKED BY:	DATE:
TF	01.07.20

PROJECT: INNOVATIVE DENTAL CENTER FOR GENERAL & ADVANCED DENTISTRY	
LOCATION: 3192 E. FARM ROAD 188 SPRINGFIELD, MO 65721	

DRAWN BY:	DATE:
RA	01.07.20
CHECKED BY:	DATE:
TF	01.07.20



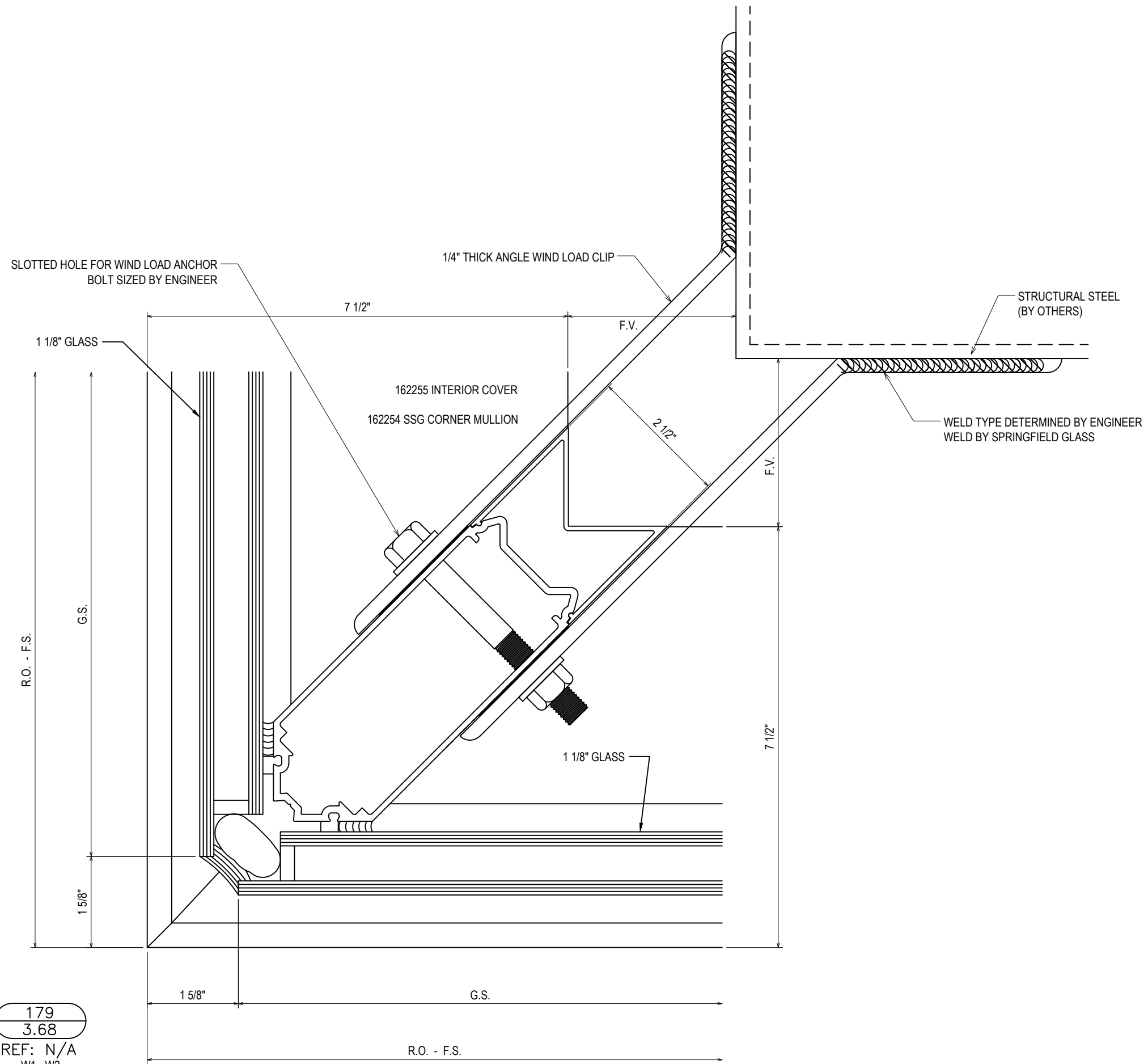
1ST SUBMISSION	01.07.20
1ST REVISION	01.23.20
2ND REVISION	03.11.20
NO	DATE
DESCRIPTION	DRAWING SUBMISSION

SPRINGFIELD GLASS COMPANY  
2503 NORTH OAK GROVE AVE.  
SPRINGFIELD, MO 65803  
P: 417.883.6555

PROJECT: INNOVATIVE DENTAL CENTER FOR GENERAL & ADVANCED DENTISTRY  
LOCATION: 3192 E. FARM ROAD 188 SPRINGFIELD, MO 65721

DRAWN BY: RA	DATE: 01.07.20
CHECKED BY: TF	DATE: 01.07.20

179  
3.68  
REF: N/A  
W1 - W2



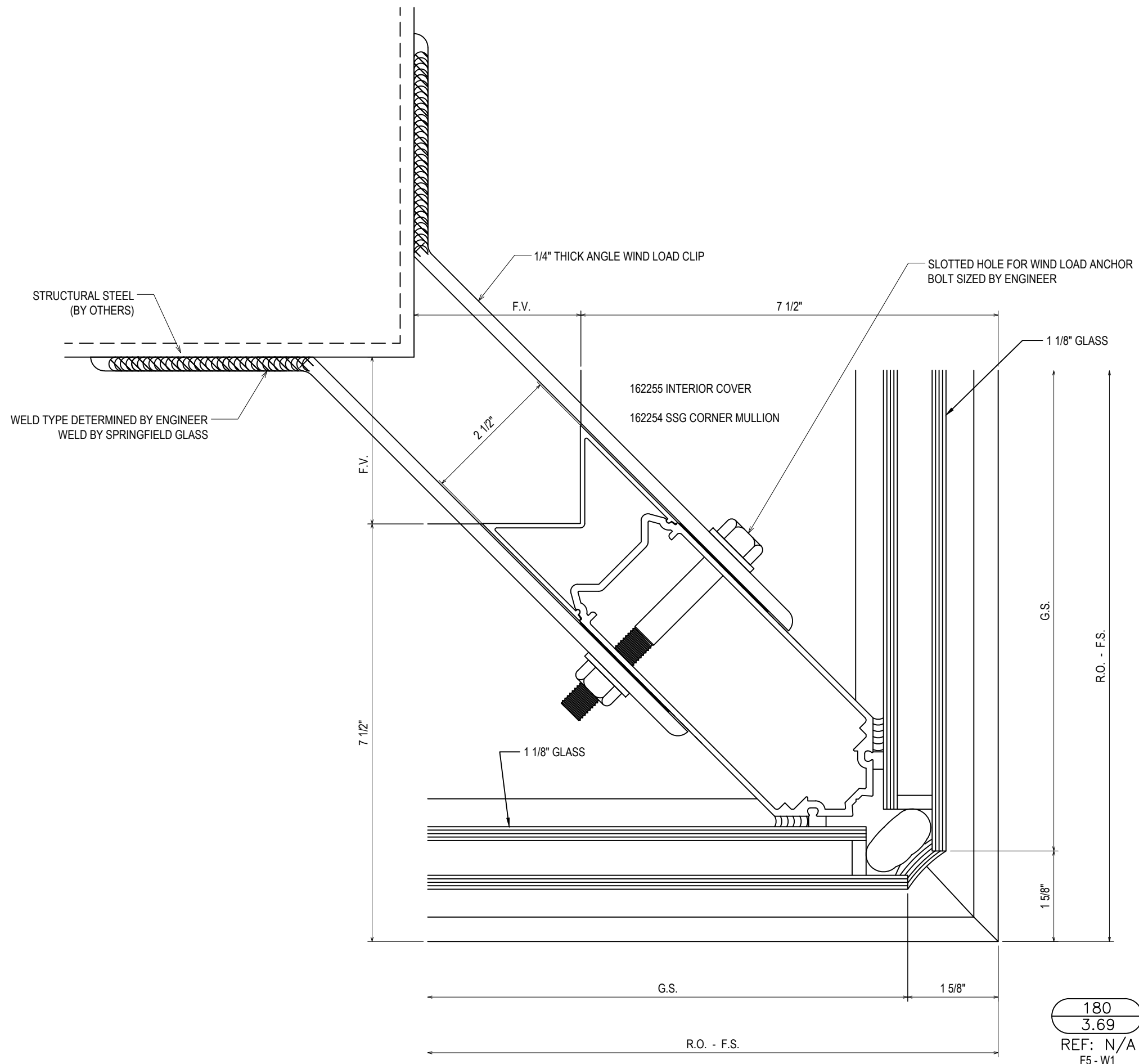
1ST SUBMISSION	01.07.20
1ST REVISION	01.23.20
2ND REVISION	03.11.20
NO	DESCRIPTION
	DRAWING SUBMISSION

SPRINGFIELD GLASS COMPANY  
2503 NORTH OAK GROVE AVE.  
SPRINGFIELD, MO 65803  
P: 417.883.6555

PROJECT: INNOVATIVE DENTAL  
CENTER FOR GENERAL &  
ADVANCED DENTISTRY  
LOCATION: 3192 E. FARM ROAD 188  
SPRINGFIELD, MO 65721

DRAWN BY:	DATE:
RA	01.07.20
CHECKED BY:	DATE:
TF	01.07.20

3.68



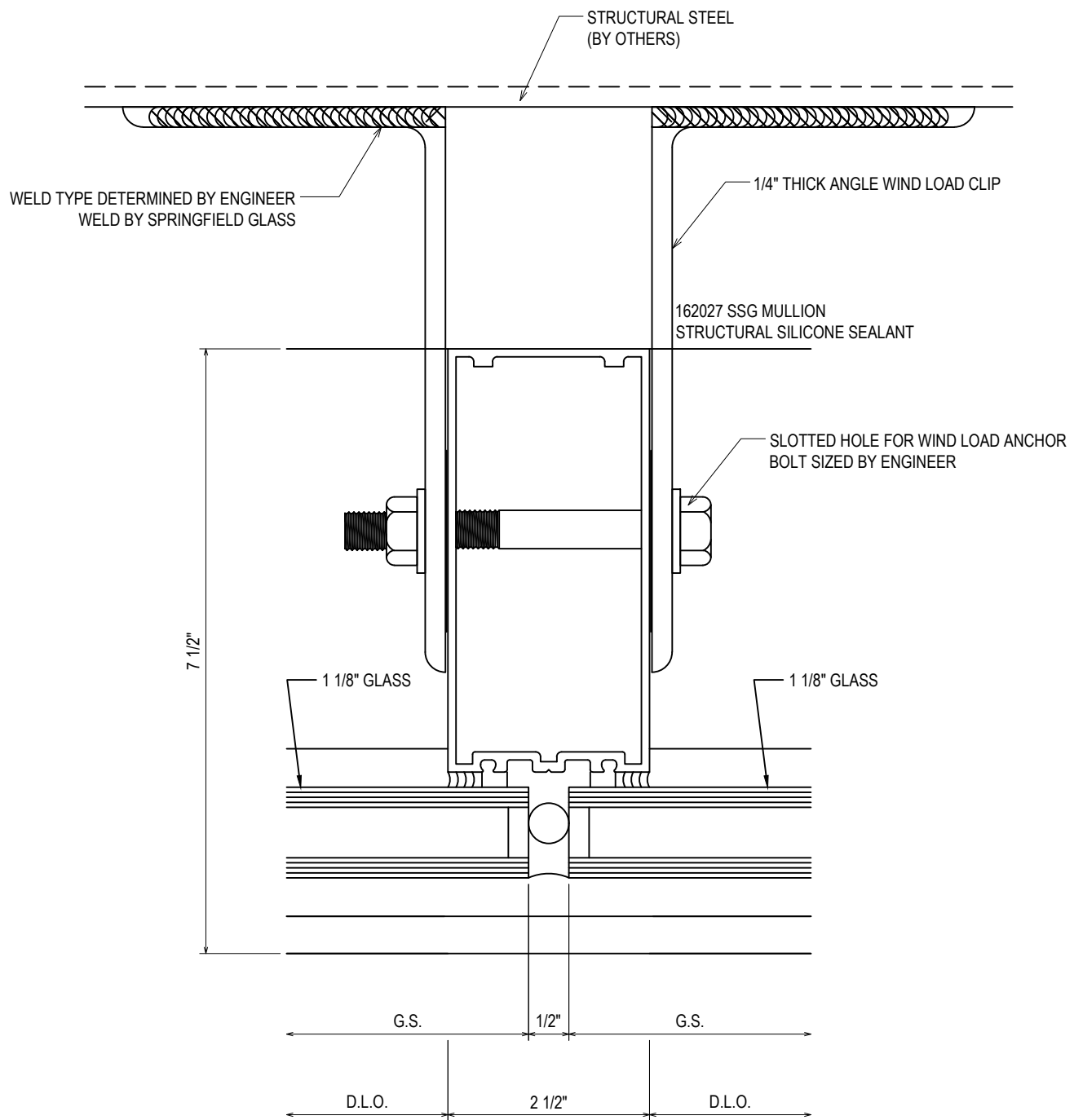
1ST SUBMISSION	01.07.20
1ST REVISION	01.23.20
2ND REVISION	03.11.20
NO	DATE
DRAWING SUBMISSION	

SPRINGFIELD GLASS COMPANY  
 2503 NORTH OAK GROVE AVE.  
 SPRINGFIELD, MO 65803  
 P: 417.883.6555

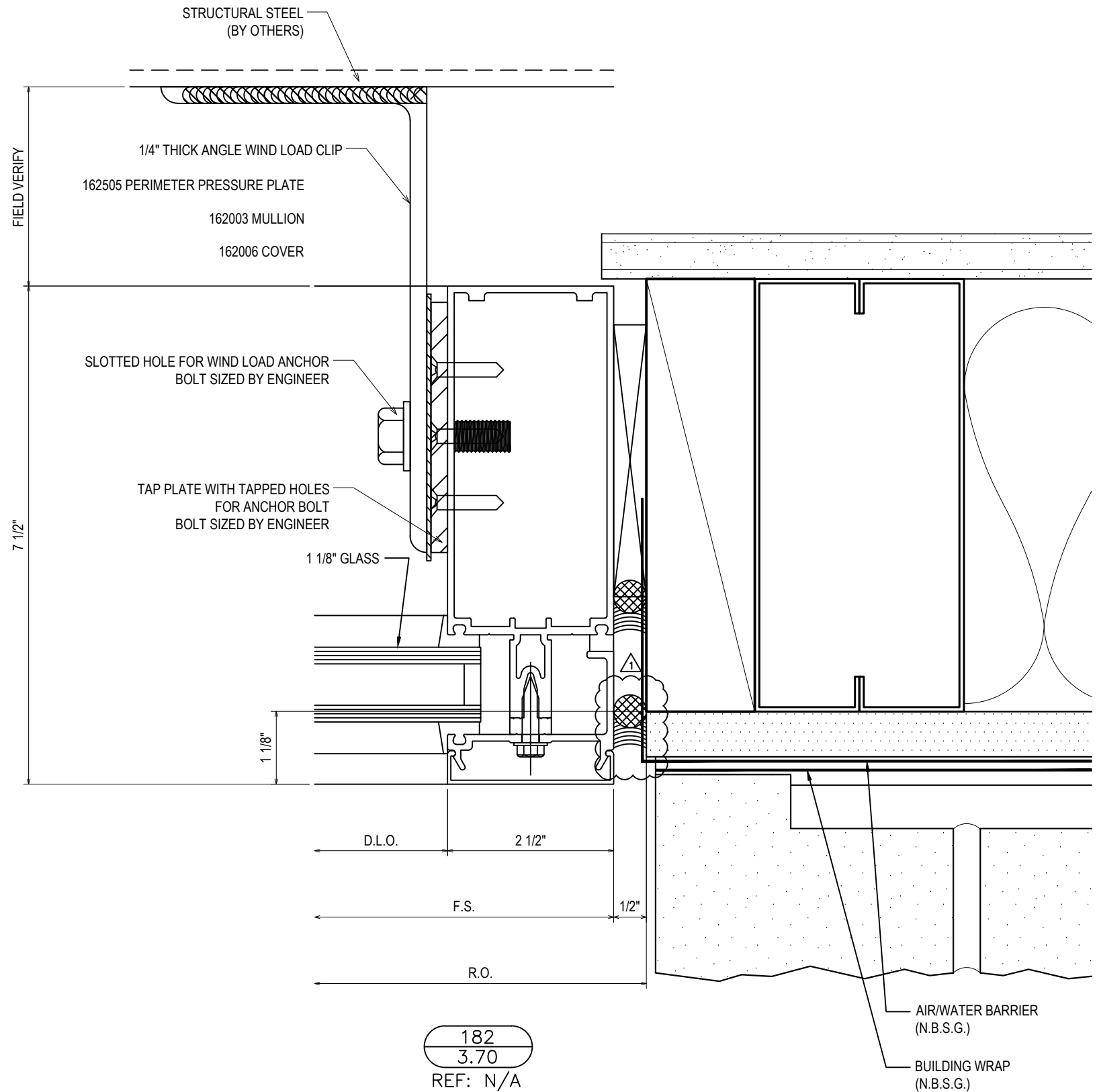
PROJECT: INNOVATIVE DENTAL  
 CENTER FOR GENERAL &  
 ADVANCED DENTISTRY  
 LOCATION: 3192 E. FARM ROAD 188  
 SPRINGFIELD, MO 65721

DRAWN BY:	DATE:
RA	01.07.20
CHECKED BY:	DATE:
TF	01.07.20

**3.69**



181  
3.70  
REF: N/A  
W1 - W2

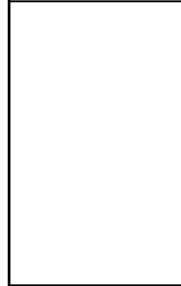


182  
3.70  
REF: N/A  
W2

1ST SUBMISSION	01.07.20
1ST REVISION	01.23.20
2ND REVISION	03.11.20
NO	DATE
DESCRIPTION	
DRAWING SUBMISSION	

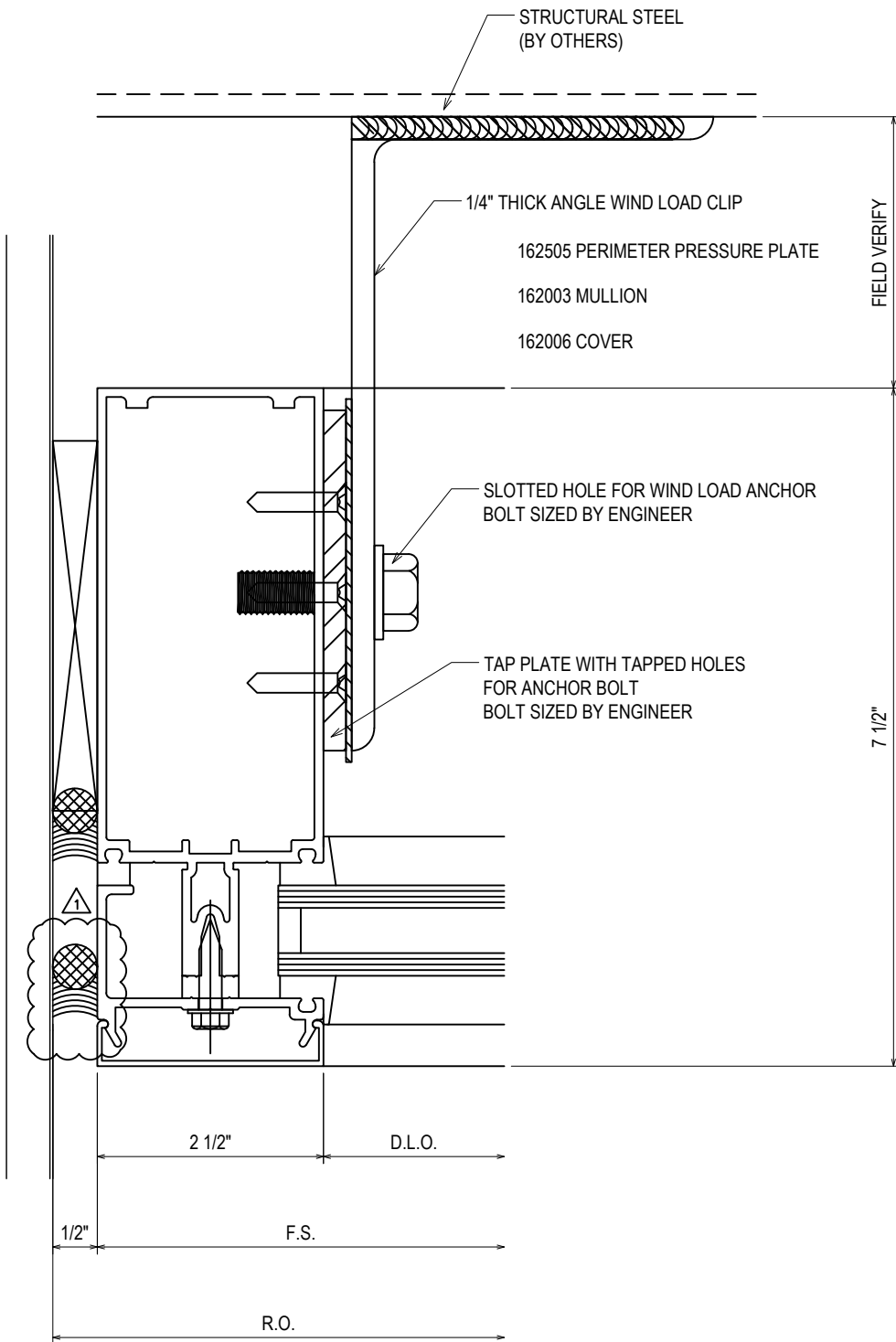
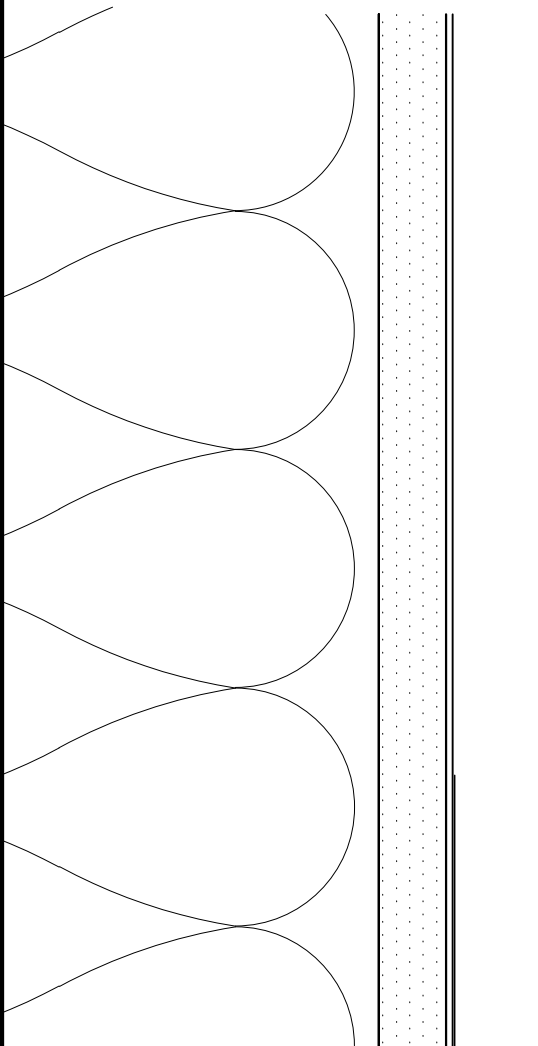
PROJECT: INNOVATIVE DENTAL  
CENTER FOR GENERAL &  
ADVANCED DENTISTRY  
LOCATION: 3192 E. FARM ROAD 188  
SPRINGFIELD, MO 65721

SPRINGFIELD GLASS COMPANY  
2503 NORTH OAK GROVE AVE.  
SPRINGFIELD, MO 65803  
P: 417.883.6555

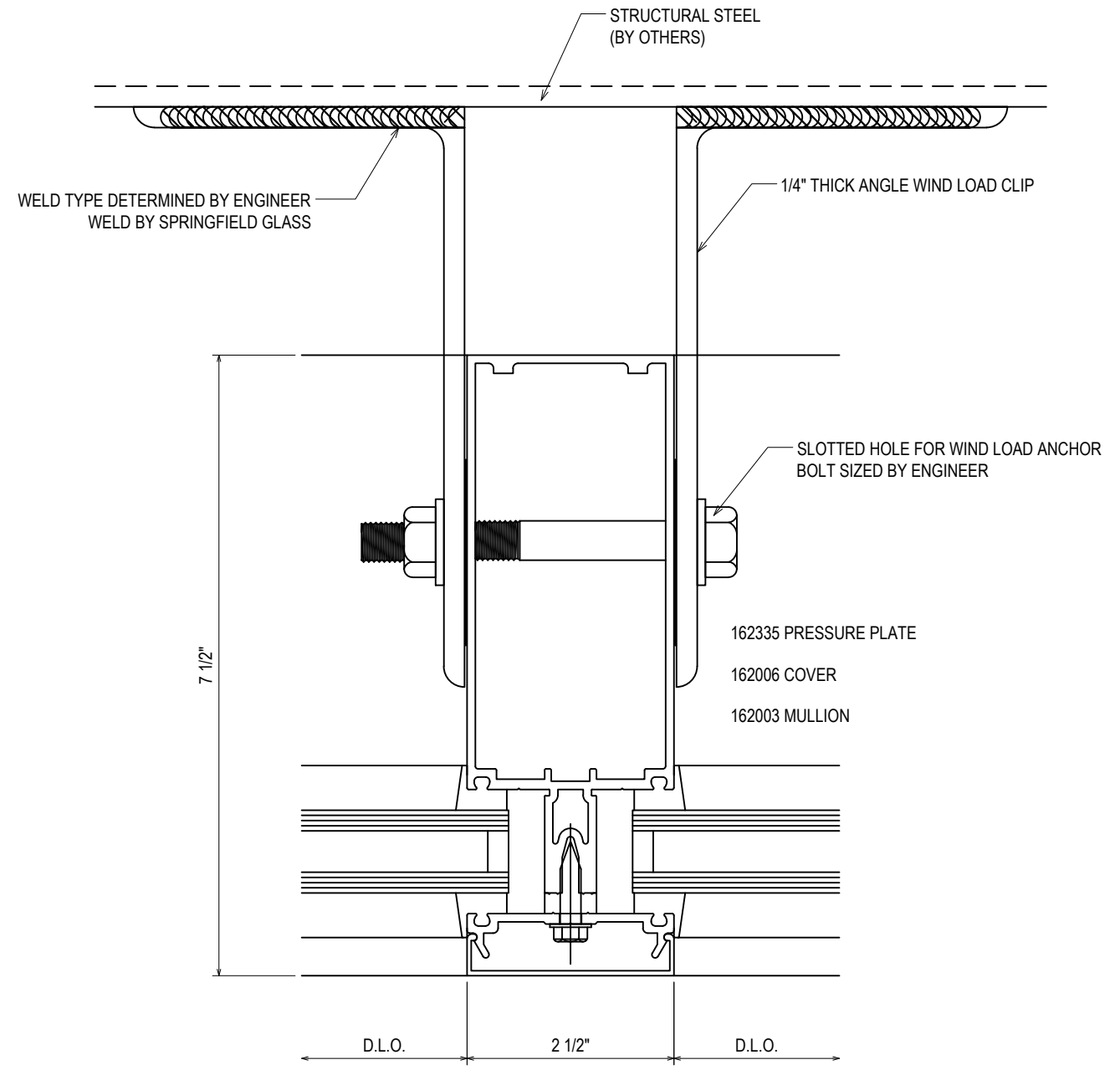


AIR/WATER BARRIER (N.B.S.G.)  
BUILDING WRAP (N.B.S.G.)

DRAWN BY:	DATE:
RA	01.07.20
CHECKED BY:	DATE:
TF	01.07.20



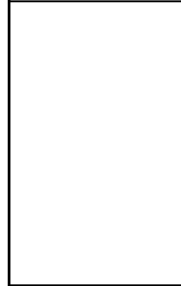
183  
3.71  
REF: N/A  
F18



184  
3.71  
REF: N/A  
F18

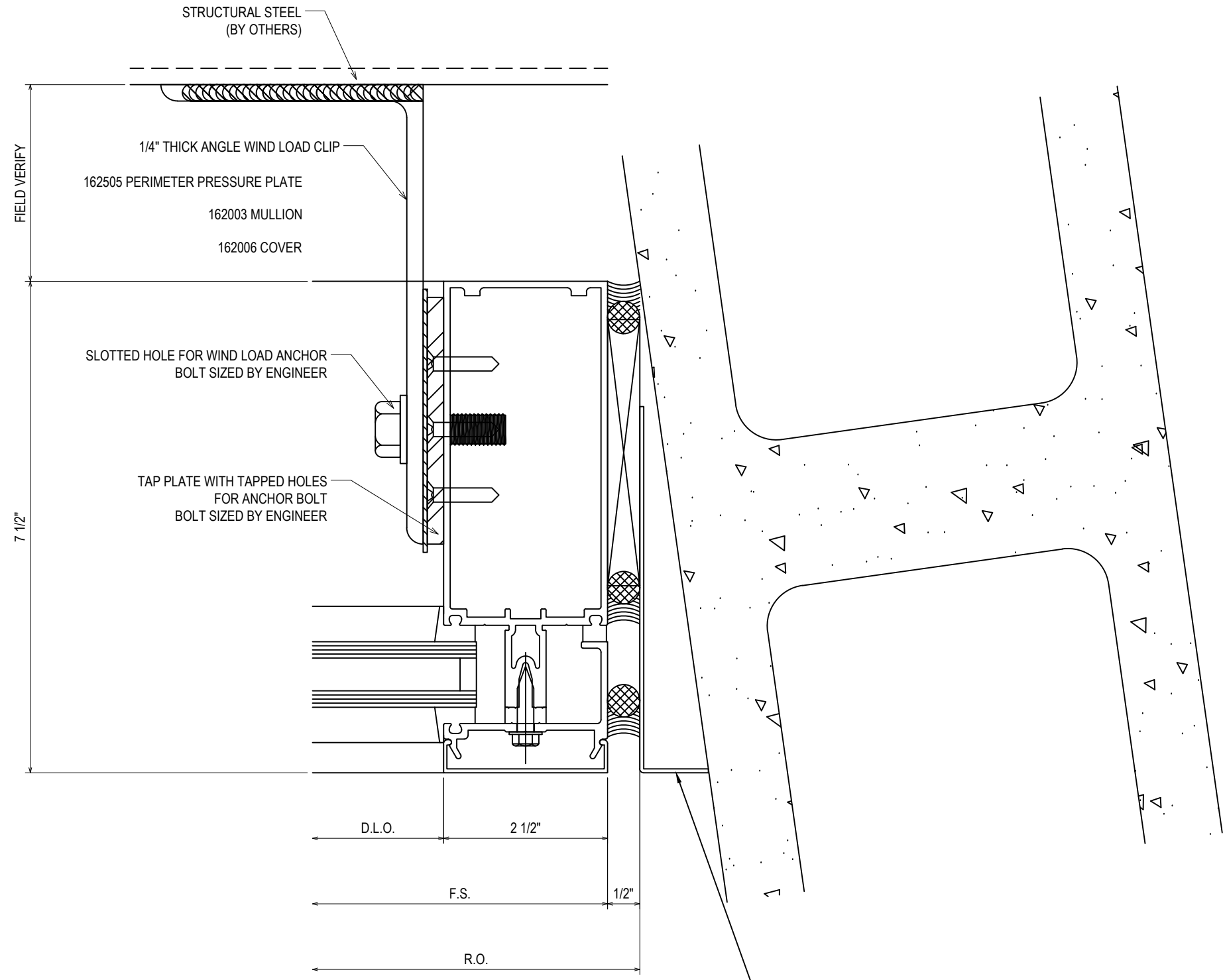
1ST SUBMISSION	01.07.20
1ST REVISION	01.23.20
2ND REVISION	03.11.20
NO	DESCRIPTION
	DRAWING SUBMISSION

SPRINGFIELD GLASS COMPANY  
2503 NORTH OAK GROVE AVE.  
SPRINGFIELD, MO 65803  
P: 417.883.6555



PROJECT: INNOVATIVE DENTAL CENTER FOR GENERAL & ADVANCED DENTISTRY  
LOCATION: 3192 E. FARM ROAD 188 SPRINGFIELD, MO 65721

DRAWN BY:	DATE:
RA	01.07.20
CHECKED BY:	DATE:
TF	01.07.20



185  
3.72  
REF: N/A  
F18

BRAKE METAL PIECE GLUED TO BLOCKING

1ST SUBMISSION	01.07.20
1ST REVISION	01.23.20
2ND REVISION	03.11.20
NO	DATE
DRAWING SUBMISSION	

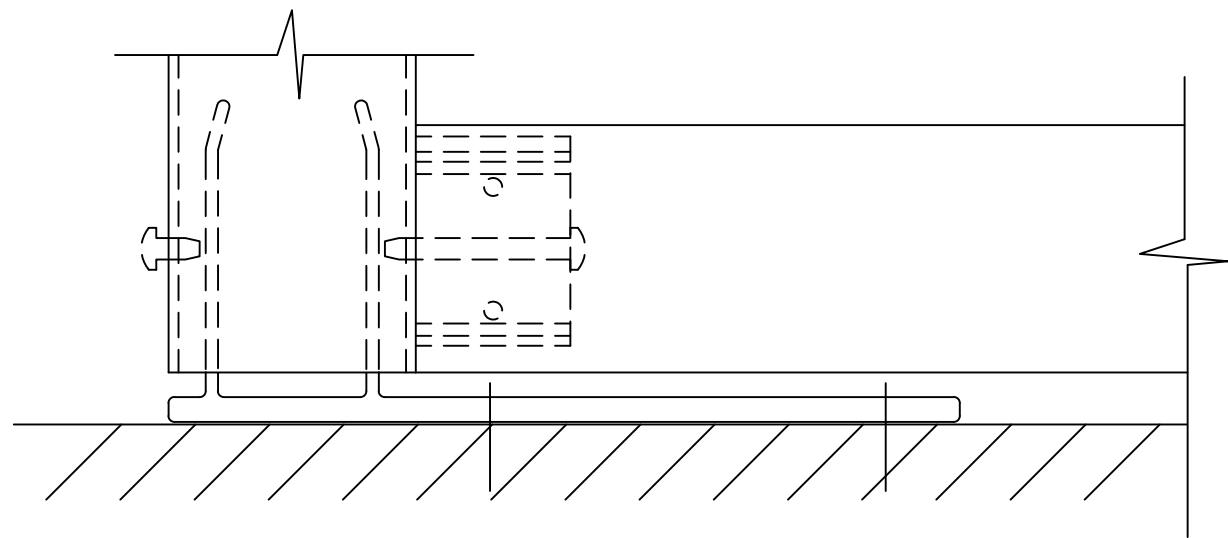
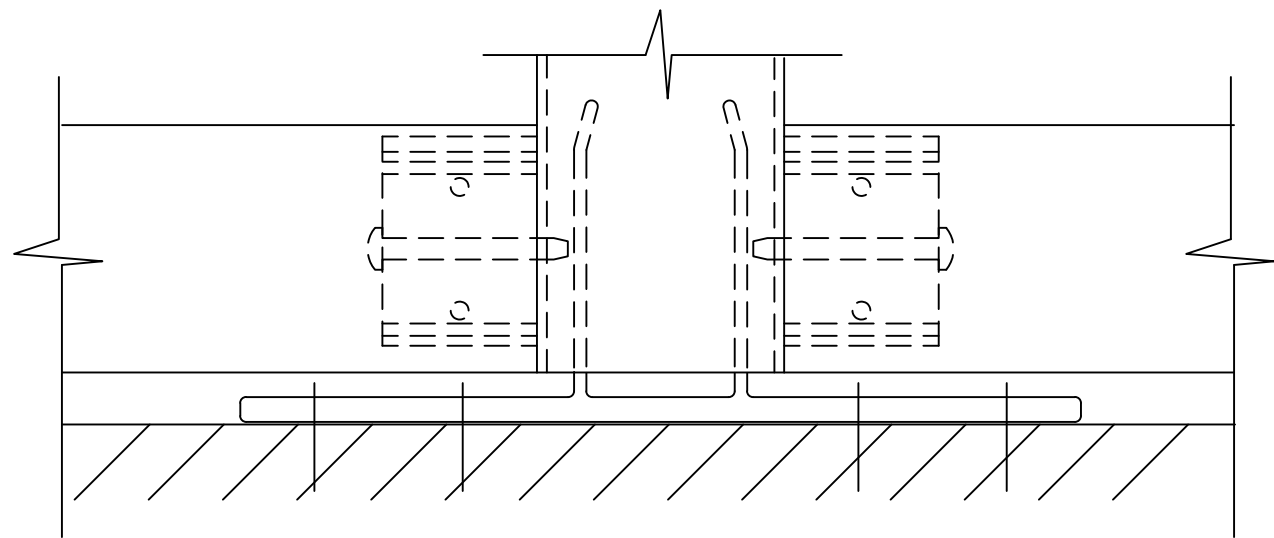
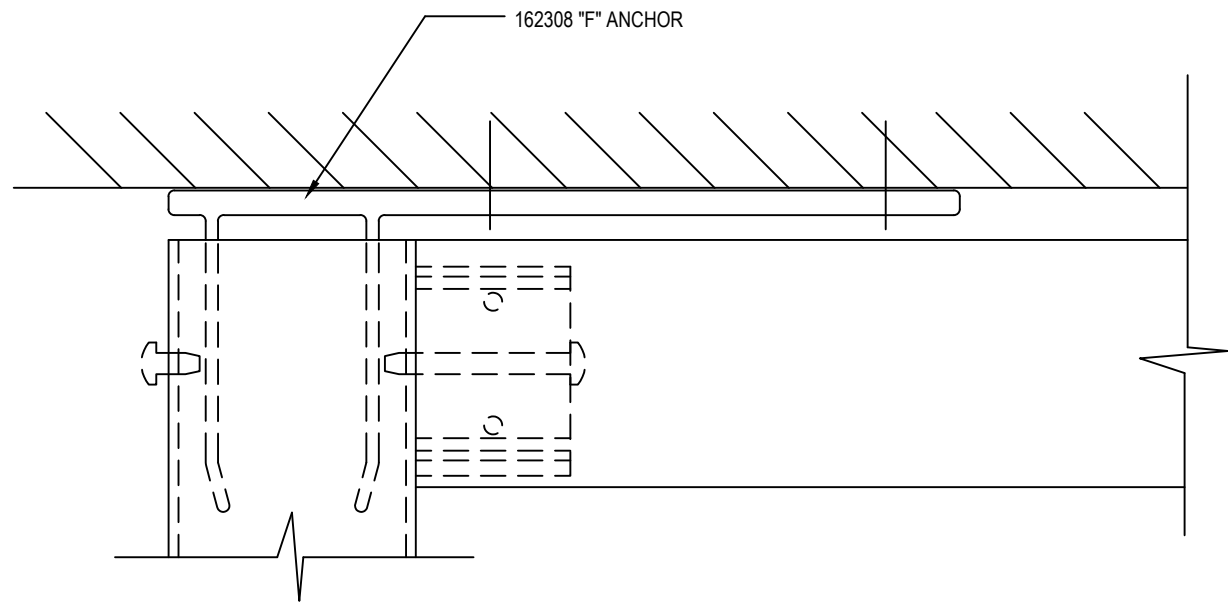
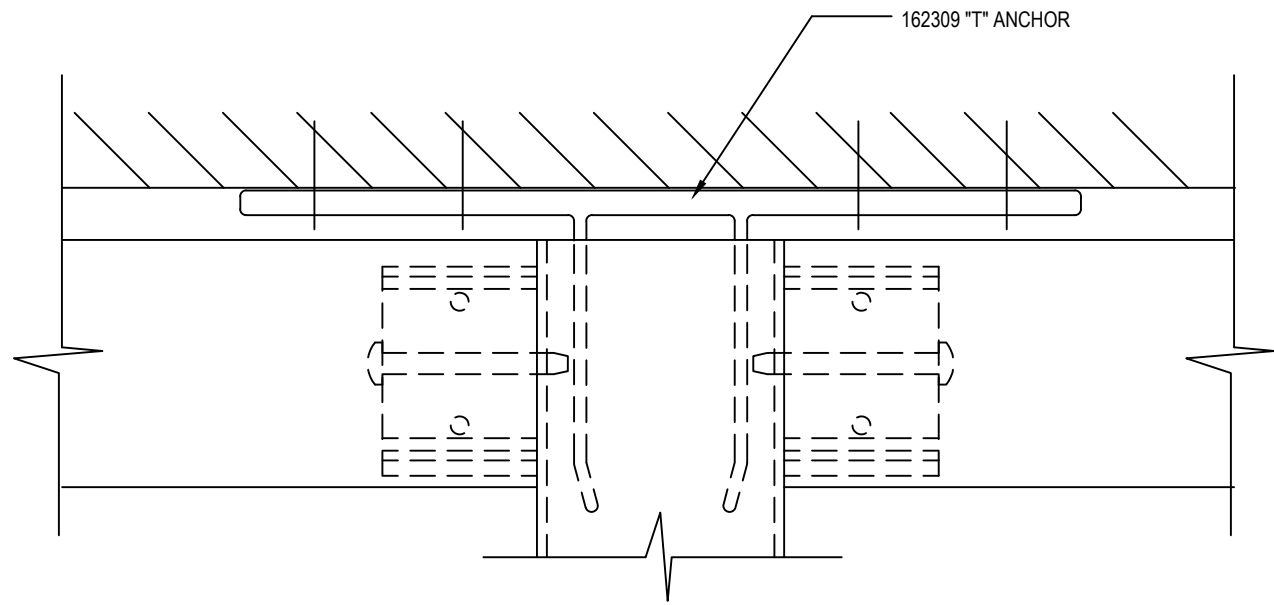
SPRINGFIELD GLASS COMPANY  
2503 NORTH OAK GROVE AVE.  
SPRINGFIELD, MO 65803  
P: 417.883.6555

PROJECT: INNOVATIVE DENTAL CENTER FOR GENERAL & ADVANCED DENTISTRY

LOCATION: 3192 E. FARM ROAD 188  
SPRINGFIELD, MO 65721

DRAWN BY:	DATE:
RA	01.07.20
CHECKED BY:	DATE:
TF	01.07.20

3.72



186  
3.73  
REF: N/A  
TYPICAL "T" & "F" ANCHORS  
FOR 6" DEPTH CURTAIN WALL

1ST SUBMISSION	01.07.20
1ST REVISION	01.23.20
2ND REVISION	03.11.20
NO	DATE
DRAWING SUBMISSION	

PROJECT: INNOVATIVE DENTAL  
CENTER FOR GENERAL &  
ADVANCED DENTISTRY  
LOCATION: 3192 E. FARM ROAD 188  
SPRINGFIELD, MO 65721

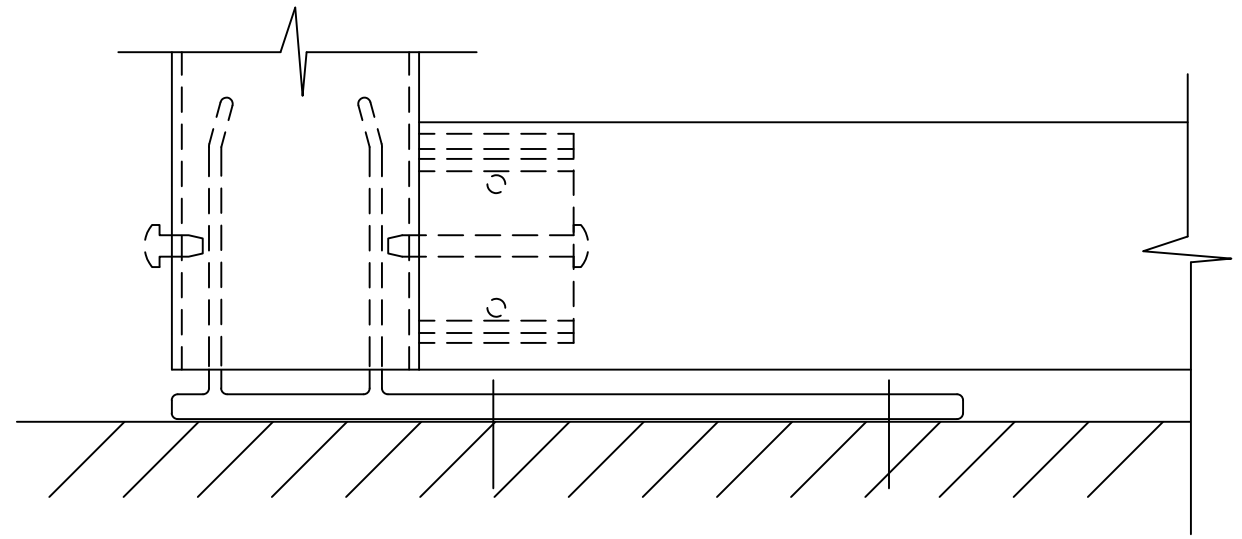
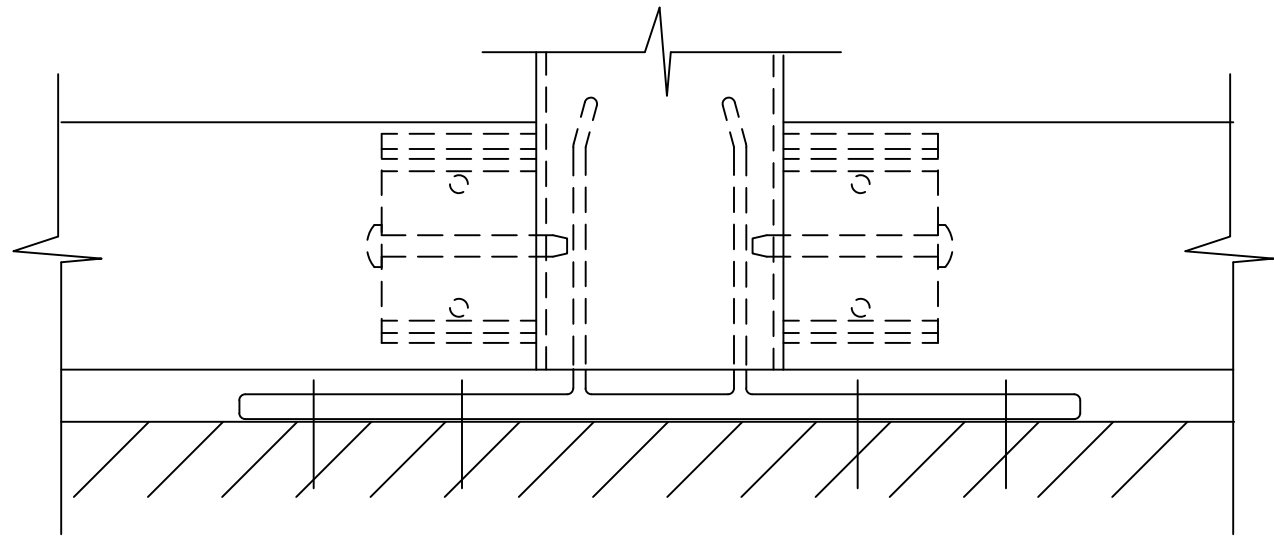
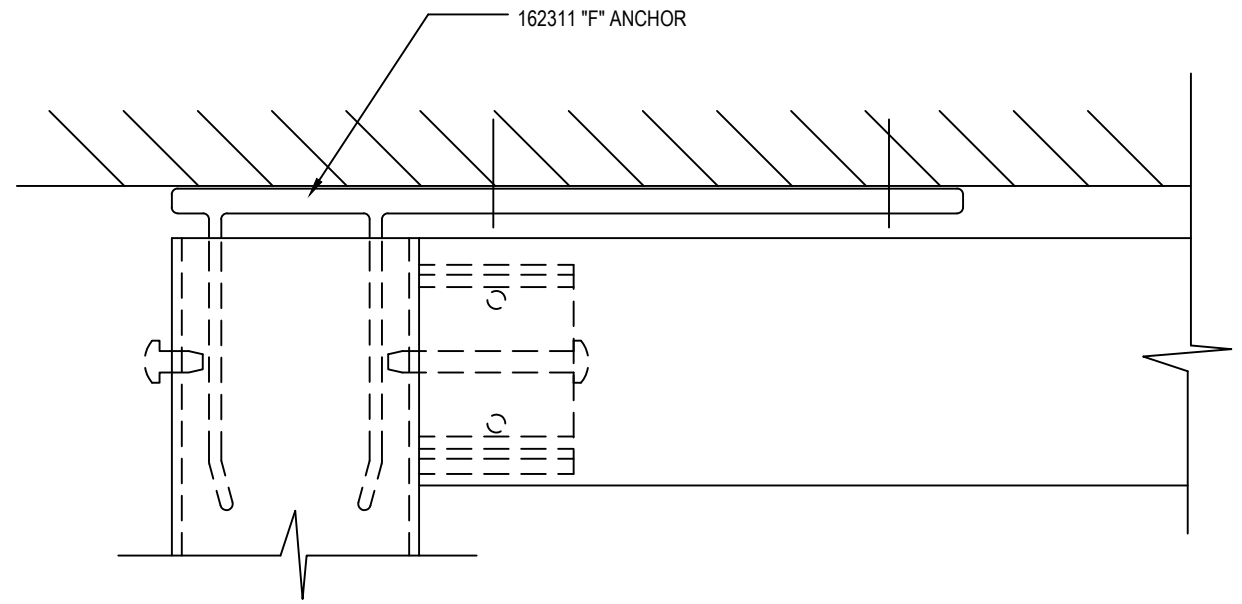
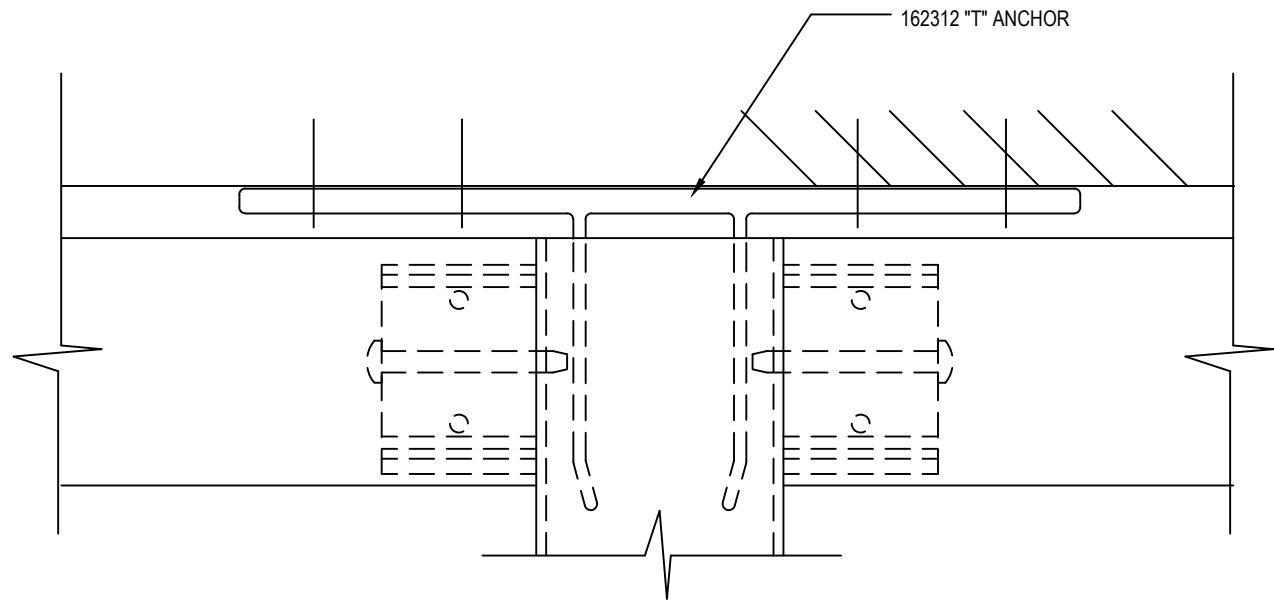
SPRINGFIELD GLASS COMPANY  
2503 NORTH OAK GROVE AVE.  
SPRINGFIELD, MO 65803  
P: 417.883.6555

PROJECT: INNOVATIVE DENTAL  
CENTER FOR GENERAL &  
ADVANCED DENTISTRY  
LOCATION: 3192 E. FARM ROAD 188  
SPRINGFIELD, MO 65721

DRAWN BY:	DATE:
RA	01.07.20
CHECKED BY:	DATE:
TF	01.07.20

**3.73**





187  
3.74

REF: N/A  
TYPICAL "T" & "F" ANCHORS  
FOR 7 1/2" DEPTH CURTAIN WALL

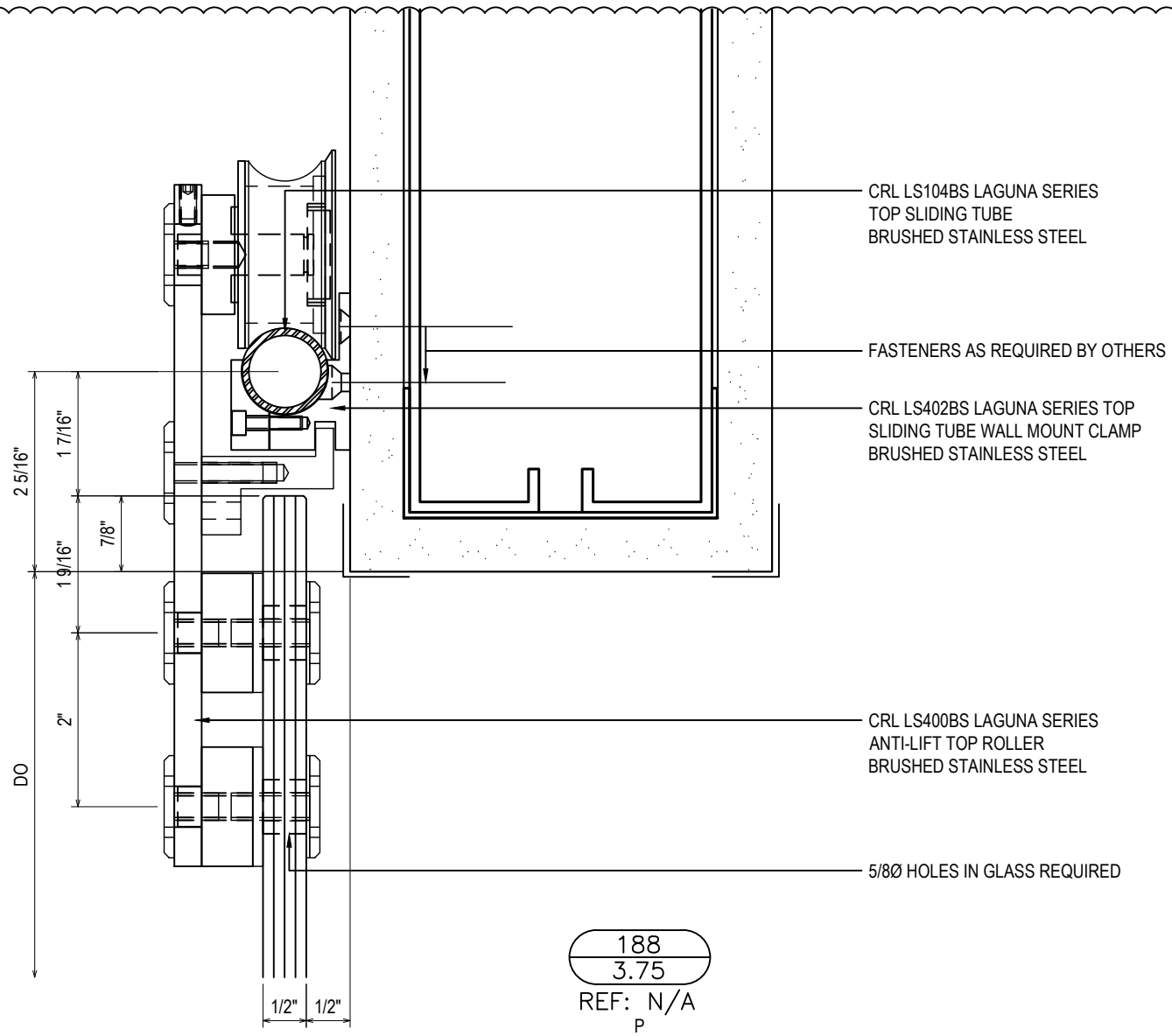
1ST SUBMISSION	01.07.20
1ST REVISION	01.23.20
2ND REVISION	03.11.20
NO	DATE
DRAWING SUBMISSION	

PROJECT: INNOVATIVE DENTAL  
CENTER FOR GENERAL &  
ADVANCED DENTISTRY  
LOCATION: 3192 E. FARM ROAD 188  
SPRINGFIELD, MO 65721

SPRINGFIELD GLASS COMPANY  
2503 NORTH OAK GROVE AVE.  
SPRINGFIELD, MO 65803  
P: 417.883.6555

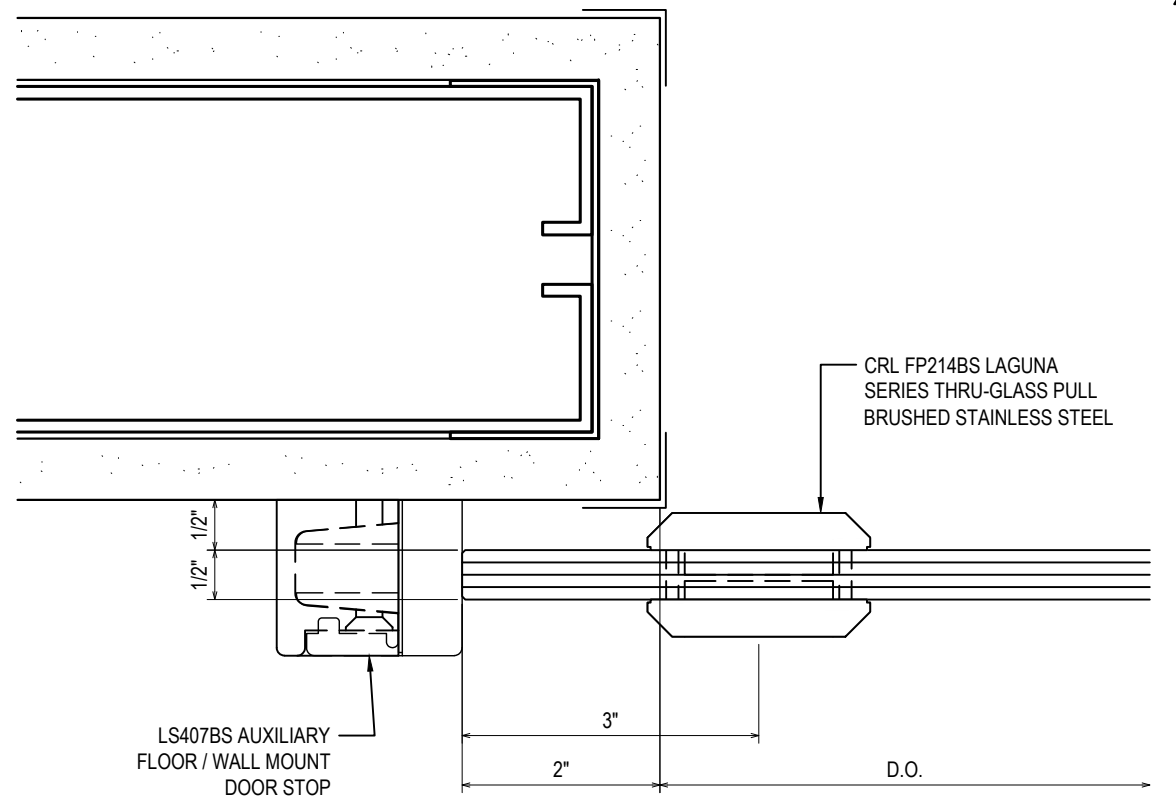
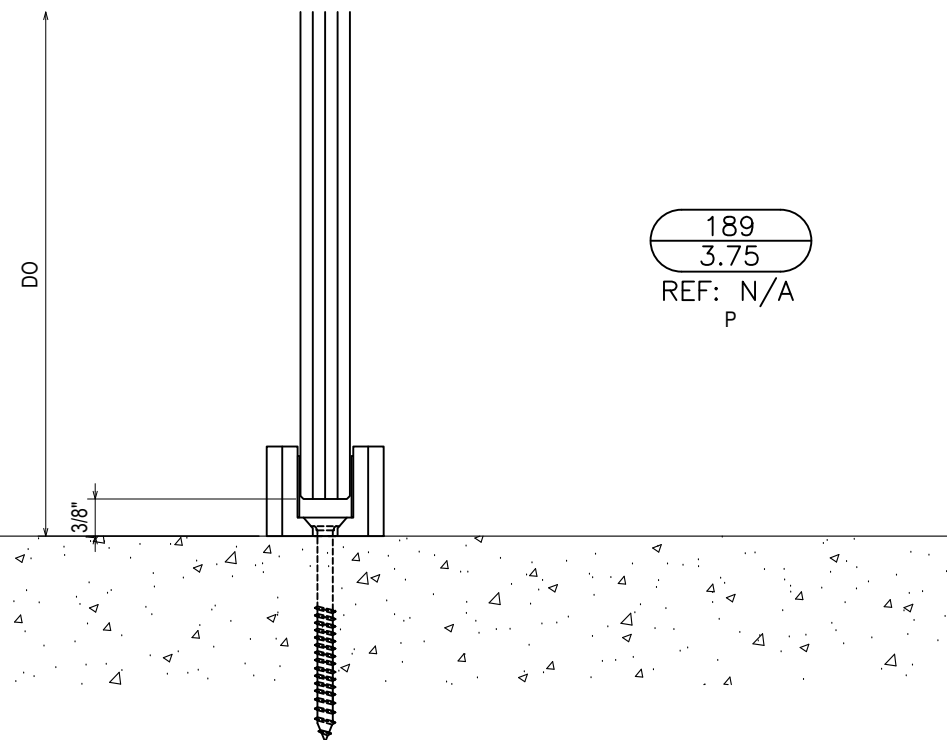
DRAWN BY:	DATE:
RA	01.07.20
CHECKED BY:	DATE:
TF	01.07.20

**3.74**

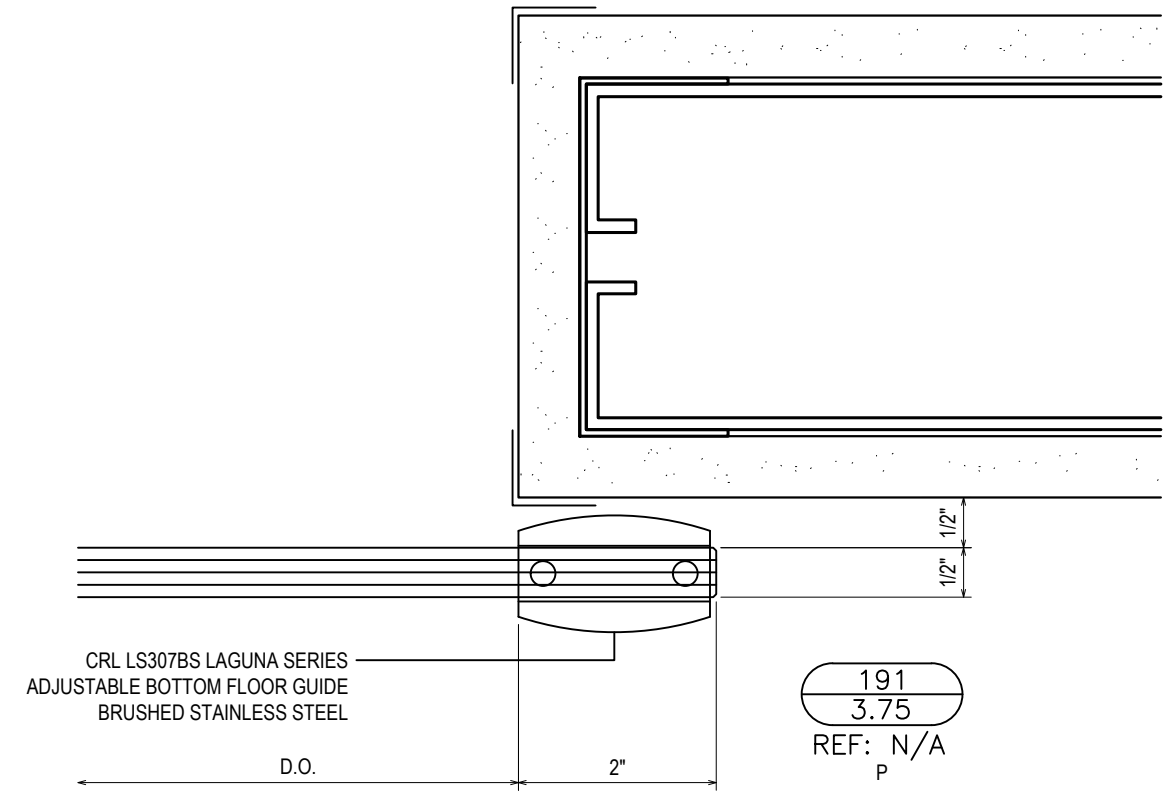


188  
3.75  
REF: N/A  
P

189  
3.75  
REF: N/A  
P



190  
3.75  
REF: N/A  
P



191  
3.75  
REF: N/A  
P

1ST SUBMISSION	01.07.20
1ST REVISION	01.23.20
2ND REVISION	03.11.20
NO	DATE
DRAWING SUBMISSION	

PROJECT: INNOVATIVE DENTAL CENTER FOR GENERAL & ADVANCED DENTISTRY  
 LOCATION: 3192 E. FARM ROAD 188 SPRINGFIELD, MO 65721

SPRINGFIELD GLASS COMPANY  
 2503 NORTH OAK GROVE AVE.  
 SPRINGFIELD, MO 65803  
 P: 417.883.6555

DRAWN BY:	DATE:
RA	01.07.20
CHECKED BY:	DATE:
TF	01.07.20