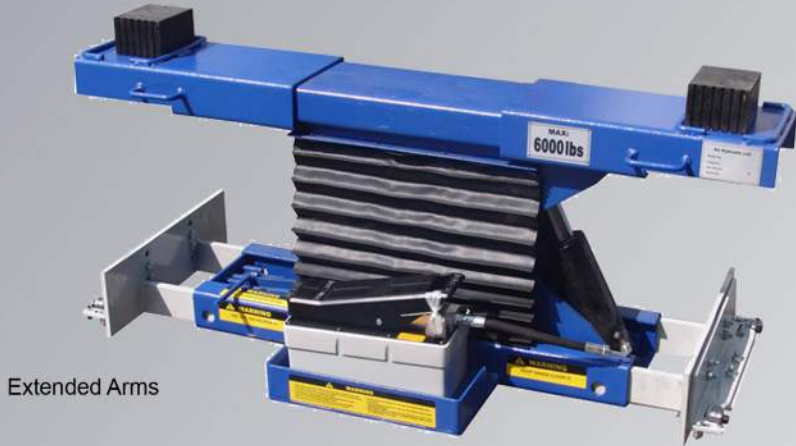


RAJ-6K Rolling Air Jack

The RAJ-6K Rolling Air Jack is a high quality, scissor type rolling bridge Jack with Air/Hydraulic operation that includes exclusive telescoping Universal Roller Body Bracket Assemblies designed for either High Mount or Low Mount applications.

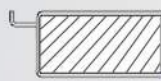
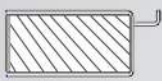


Extended Arms

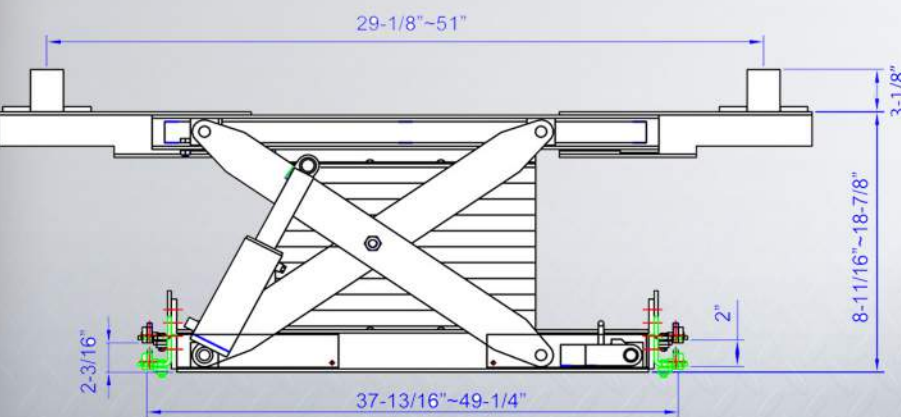
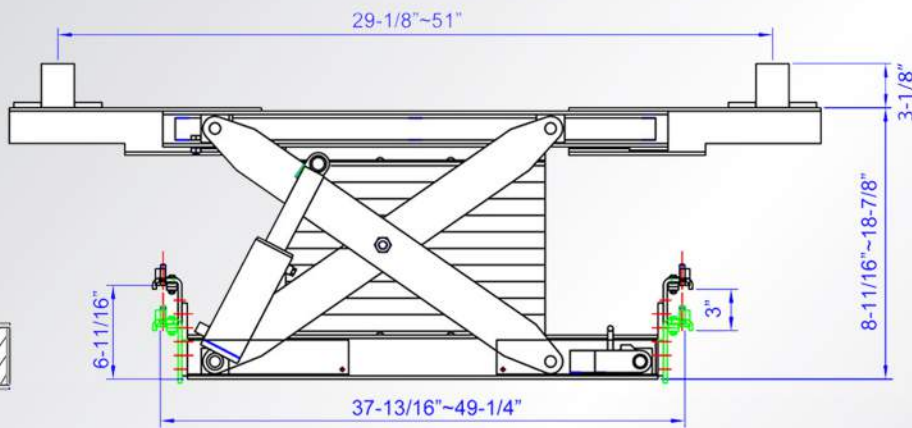
RAJ-6K-L & RAJ-6K-H Dimensions

RAJ-6K-L 'Low Mount' - Bracket Configurations

'Low Mount' model incorporates adjustable height Roller Body Brackets suitable for Four Post Lifts with medium to high mount jack rails, to avoid high profile Jacks from touching the ground when lift is fully lowered. Three 1" adjustable mounting heights positions available.



Ideal for the higher rail on the track

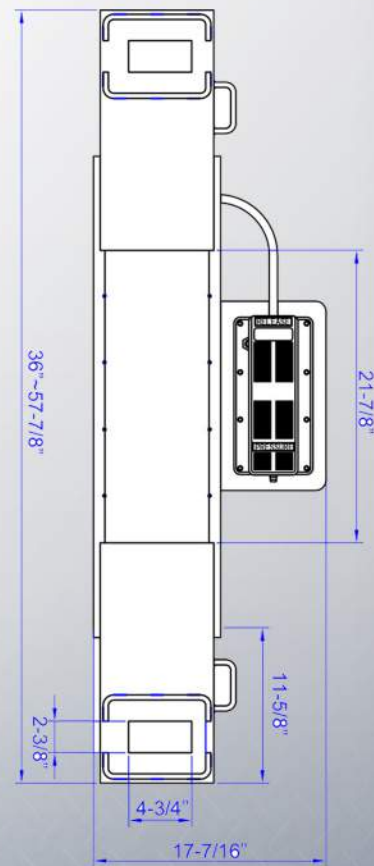


RAJ-6K-H 'High Mount' - Bracket Configurations

'High Mount' model incorporates adjustable height Roller Body Brackets suitable for Four Post lifts with low mount jack rails, to avoid high profile Jacks from touching the ground when lift is fully lowered Three adjustable mounting heights positions available.



Ideal for the lower rail on the track



Features

- Universal roller body design w/dual 'spring loaded' precision roller bearing and guide wheels w/adjustable height for low, medium and high jack rail configurations
- Rolls on top edge of jack rails for smooth maneuverability
- Telescoping support arms
- Air/Hydraulic operation
- Dual protective scissor skirts
- Two locking height positions
- Rubber height adapters (1 pair)
- Ships in durable wooden crate

Specifications

	RAJ-6K
• Lift Capacity	6,000 lbs.
• Telescoping Support Arms Min./Max	37-3/4" - 49-1/4" (Roller Body Wheel Center)
• Lifting Arms - Min./Max.	29-1/8" - 18-7/8"
• Lifting Height - Min./Max.	9" - 7"
• 'High Mount' - adjustable Roller Body Bracket Height	2"
• 'Low Mount' - adjustable Roller Body Bracket Height	3"
• Rubber Adapter Heights	3-1/8" (1 Pair)
• Locking Positions	2 each
• Required Power	100 - 125 PSI / 10-20 CFM
• Ship Weight	325 lbs.
• Package Size	42" x 23.5" x 14"

Recommended RAJ-6K model & Lift Combo

Lift Model	RAJ-6K-H	RAJ-6K-L
SL-12K-A	X	
FP12K-K		X
FP14K		O
FP14KA	O	
FP14K-C		O
FP14KA-C	O	
FP14KO-A	O	

X = Recommended / O = Acceptable