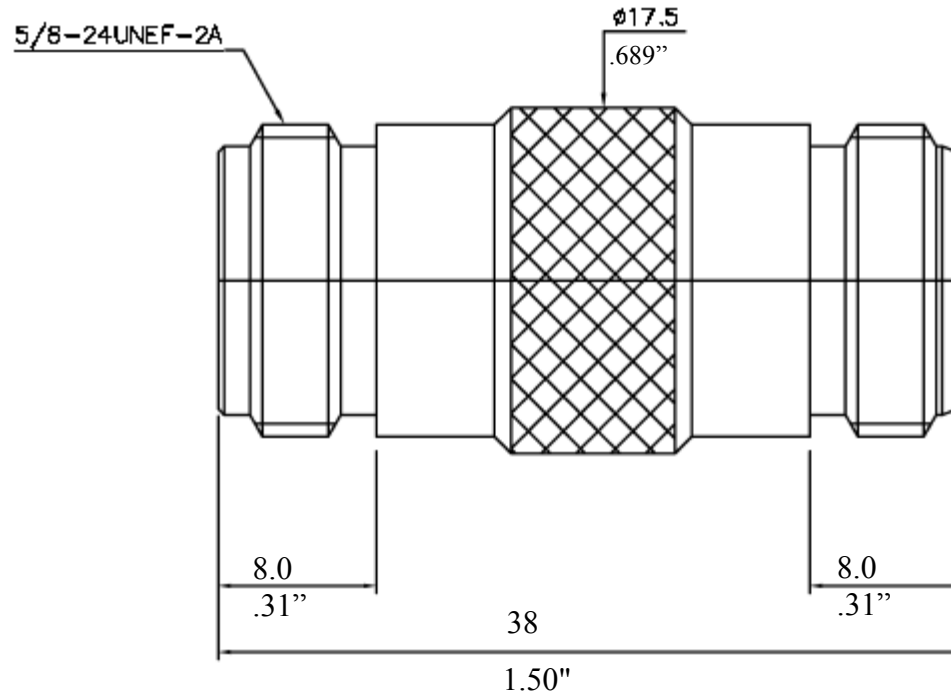


Specifications

Frequency range ; DC-11 GHz
 Nominal Impedance ; 50 OHm
 Working voltage; 1 000V rms
 Proof Voltage ; 2500 Vol ts
 VSWR; 1 .25:1 max.
 Oper. Temperature range ; -55-+145"C
 IP Grade; IP67

RoHS Compliant



Adapter Part

Material

Plating

Cap, Body	Brass	Nickel
Center contact	Beryllium Copper	Gold
Insulator	PTFE	N/A



Premier RF
 17 Roslyn CT
 Patchogue, NY 11772
 PH: 631-447-3804
 sales@premier rf.com
 www.premier rf.com

	PART NUMBER	PRF-AD2F2F
03/10/2012	DESCRIPTION	N FEMALE TO N FEMALE ADAPTER, DC-11 GHz
APPROVED		
C. Smith		