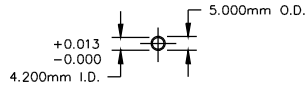
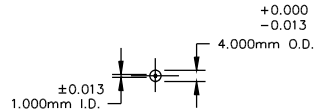


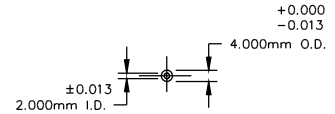
SECTION A-A



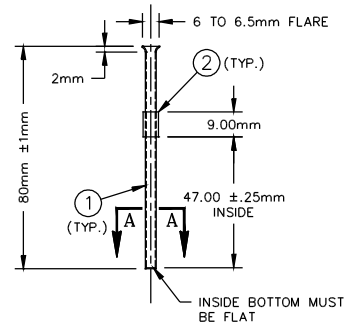
SECTION B-B



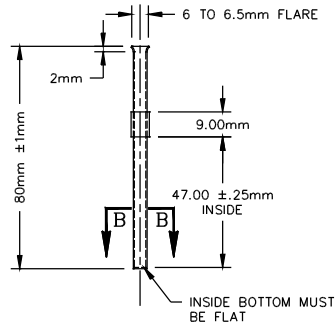
SECTION C-C



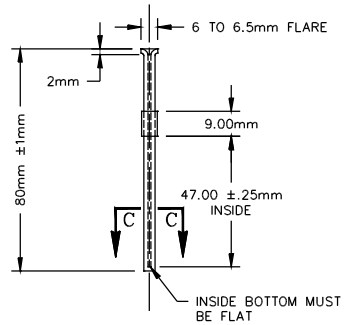
SECTION D-D



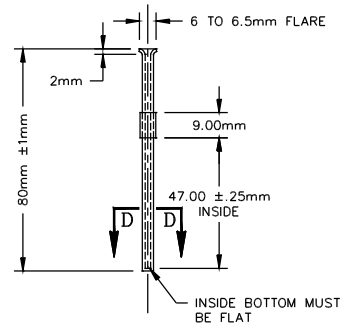
STANDARD
SAMPLE TUBE
PART NO. 3200



LARGE
SAMPLE TUBE
PART NO. 3205



ULTRA-THIN BORE
SAMPLE TUBE
PART NO. 3201



THIN-BORE
SAMPLE TUBE
PART NO. 3202