

Foundation Screw-In Bollard Foundation



FIXTURE TYPE: _____

PROJECT NAME: _____

A three foot galvanized screw-in foundation for bollards as an alternative to concrete.

FEATURES:

- Faster foundation assembly
- Low installation cost
- Minimal disturbance of landscape
- Ideal for pre-existing sites

SPECIFICATIONS:

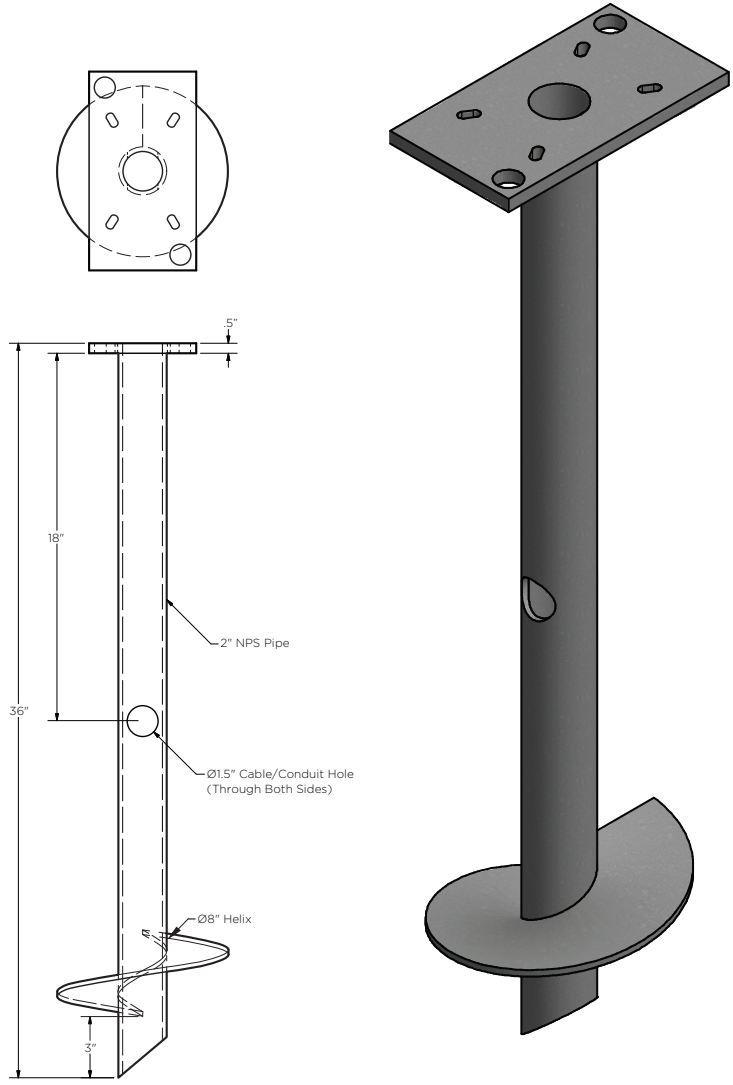
CONSTRUCTION: 2" diameter NPS pipe 3' long* with a 1/2" mounting plate and 8" diameter helix.

FINISHES AND MATERIALS: Galvanized

HARDWARE: All fasteners are stainless steel.

FIXTURE MOUNTING: 9" x 5" x 1/2" plate attaches to bollard baseplate with four 3/8" carriage bolts.

*Consult local codes for Northern regions to determine if pipe length needs to increase to account for frost depth.



ORDERING GUIDE:

SCW		
1	2	3

1 | Series
SCW | Screw-In Foundation

2 | Length
36 | 36" Pipe Length

3 | Mounting Plate
MAC | Mac Family
LUCA | Luca Family

support@solarbollards.com
www.solarbollards.com
808.833.6020 x1
big solutions *small* footprints

