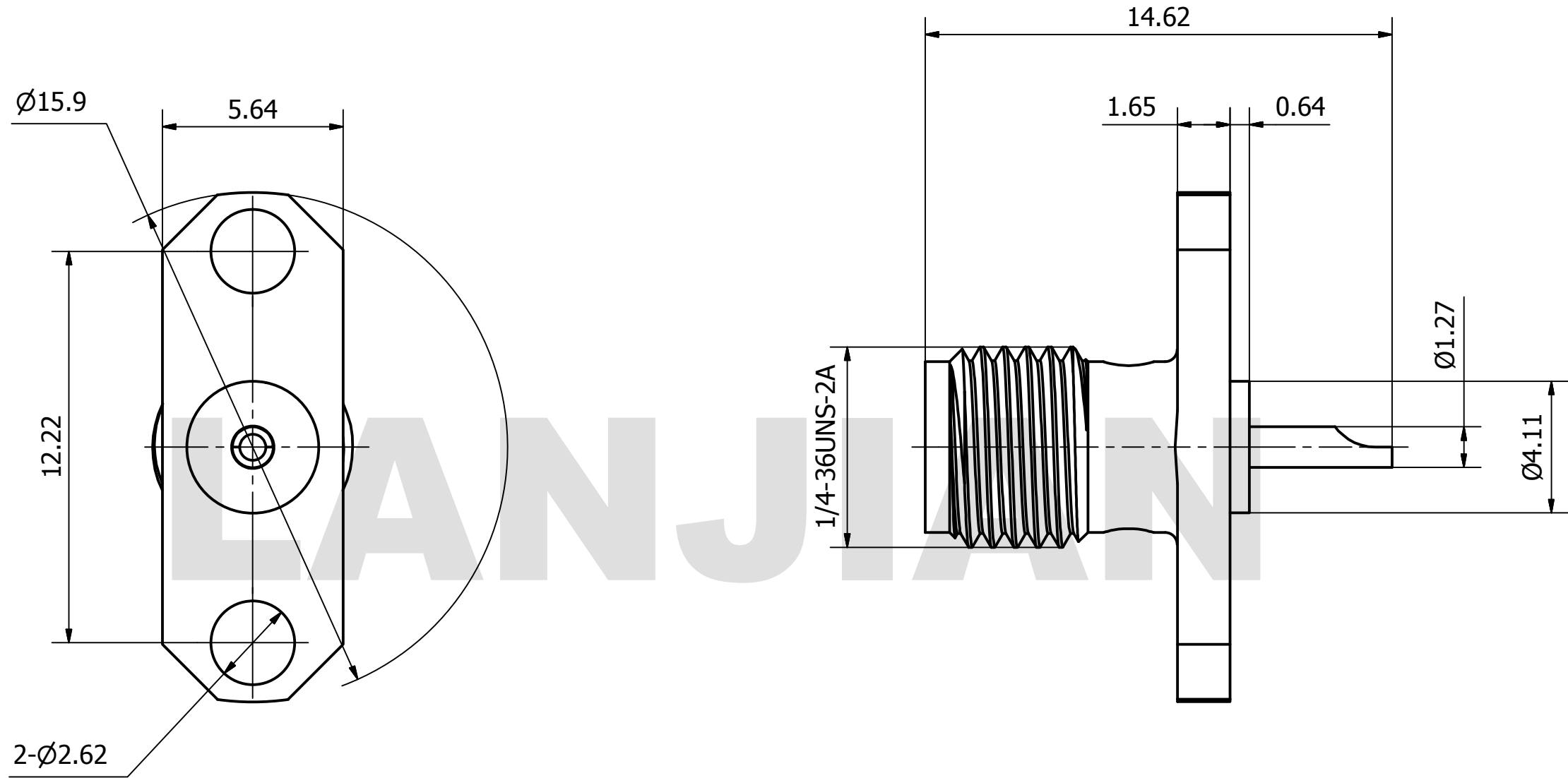


PRODUCT DATA SHEET



MATERIAL:
BODY: STAINLESS STEEL PER AMS-5640,
 ALLOY UNS S30300
CONTACT: BERYLLIUM COPPER PER ASTM B196.
 ALLOY NO. UNS C17300
INSULATOR: PTFE PER ASTM D1710

THIS DOCUMENT CONTAINS CONFIDENTIAL AND PROPRIETARY INFORMATION THAT CANNOT BE REPRODUCED OR DIVULGED, IN WHOLE OR IN PART, WITHOUT WRITTEN AUTHORIZATION FROM "LANJIAN ELECTRONICS"	MATERIAL :			 38 Hengtong Road, Xinqu Dingmao Zhenjiang, 212009, Jiangsu, P. R. China
	UNLESS OTHERWISE SPECIFIED: DIMENSIONS IN MM			
	TOLERANCES :			
	X.X	± 0.20	ANGULAR : ± 1°	DEBURR AND BREAK SHARP EDGES
	X.XX	± 0.10	FILLETS R/C : ± 0.10	
	X.XXX	± 0.01	SURFACE FINISH : Ra 1.6	
	NAME	DATE	SIGNATURE	
DRAWN				
CHK'D				
APPV'D				
MFG				
PROJECTION	SIZE	SCALE		
	A3	6 : 1		
DO NOT SCALE THE DRAWING			PAGE 1 / 1	

LANJIAN ELECTRONICS
 38 Hengtong Road, Xinqu Dingmao
 Zhenjiang, 212009, Jiangsu, P. R. China

TITLE
SMA00047/1145-1
 straight jack connector

DWG No. GCPZ3.660.A.002
 REV. 1 / 1