

**B30 & B60**

U. S. Suggested Retail Price List  
Jan-18

Phone: 260-665-2769

Fax: 260-665-3047

Email: [iim@mobility-usa.com](mailto:iim@mobility-usa.com)

[www.mobility-usa.com](http://www.mobility-usa.com)

Quote: \_\_\_\_\_

P.O. \_\_\_\_\_

**Bill To**

Dealer: \_\_\_\_\_ Contact: \_\_\_\_\_

Address: \_\_\_\_\_

City: \_\_\_\_\_ State: \_\_\_\_\_ Zip: \_\_\_\_\_

Phone: \_\_\_\_\_ Fax: \_\_\_\_\_

Email: \_\_\_\_\_ Mark For: \_\_\_\_\_

**Ship To Same as Bill To \_\_\_\_\_**

Dealer: \_\_\_\_\_ Contact: \_\_\_\_\_

Address: \_\_\_\_\_

City: \_\_\_\_\_ State: \_\_\_\_\_ Zip: \_\_\_\_\_

Phone: \_\_\_\_\_ Fax: \_\_\_\_\_

Email: \_\_\_\_\_ Mark For: \_\_\_\_\_

**Juditta Features and Specifications**

- **Frame** - steel, grey painted with non-toxic epoxy powder paint
- **Upholstery** - breathable, fire-retardant, attaches to the seat with buttons, easily removable, and machine washable or wipeable
- **Headrest** - adjustable in height, angle, depth, and side to side; provides stability to the user without obstructing the lateral movement of the head; insuring proper alignment between head and trunk. Made out of a special anti-bacterial closed cell, highly resistant to external chemical agents.
- **Backrest** - gives a proper alignment to the trunk and doesn't generate any pressure on the spine; height adj; tilt 13°-38°
- **Armrest** - flip open to be positioned behind the backrest for easy transfer
- **Seat Bottom** - adjustable inclination of 10° to 35° due to gas springs, inclined by 10° to prevent user from sliding forward
- **Legrests** - corner protectors padded for knee, swing away leg support adjustable in height and angle to help the user to get close for transitioning
- **Footplates** - flip up and height adjustable, easy access to elevators and small rooms
- **Wheels** - 6.7" swivelling solid front and 12" or 22" solid rear, drum brakes are engageable with single control pedal, 3" anti-tip wheels

**Juditta Seat Size** select one

Quantity	Part Number	Description	Price
_____	JUDI16	<b>Juditta 16"</b>	\$2,100.00
_____	JUDI18	<b>Juditta 18"</b>	\$2,200.00
_____	JUDI20	<b>Juditta 20"</b>	\$2,300.00

**Juditta Wheel Size** select one

Quantity	Part Number	Description	Price
_____	JUDIB30	<b>12" Rear Wheels</b> 8" front swivelling wheels & 12" rear wheels	N/C
_____	JUDIB60	<b>22" Rear Wheels</b> 8" front swivelling wheels & 22" rear wheels	\$400.00



JUDIB30



JUDIB60

**Upholstery** select one

Part Number	Description	Price
171491	<b>Breathable Upholstery 16"</b>	N/C
171425	<b>Breathable Upholstery 18"</b>	N/C
171426	<b>Breathable Upholstery 20"</b>	N/C
100496	<b>Wipeable Upholstery 16"</b>	N/C
100497	<b>Wipeable Upholstery 18"</b>	N/C
100498	<b>Wipeable Upholstery 20"</b>	N/C

**Required Parts**

Part Number	Description	Price
J930	<b>Headrest</b> height, angle, depth, and side to side adj requires J930-HW	\$200.00
J930-HW	<b>Headrest Hardware</b>	\$225.00
J931	<b>Manual Legrests</b> (pair) elevating, swing away, removable	\$900.00

**Calf Support** select one

Part Number	Description	Price
JUDICP	<b>Calf Pads</b> requires JUDICP-HW	\$160.00
JUDICP-HW	<b>Swing Away Hardware</b>	\$250.00
G916-40	<b>Padded Calf Strap</b> alternative to calf pads 16"	\$245.00
G916-45	<b>Padded Calf Strap</b> alternative to calf pads 18"	\$255.00
G916-50	<b>Padded Calf Strap</b> alternative to calf pads 20"	\$265.00

**Arm Pads**

Part Number	Description	Price
J912	<b>Standard Armpads</b> 16.5" x 3" (pair)	N/C

**Positioning Options**

Part Number	Description	Price
G828	<b>Abdominal Belt</b>	\$85.00
G834	<b>Abduction Block</b>	\$165.00



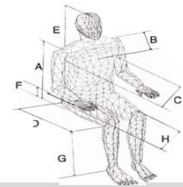
## Accessories

Part Number	Description	Price	
G824-R40	<b>Reclinable Tray</b> adj in tilt and depth 16"	\$355.00	
G824-R45	<b>Reclinable Tray</b> adj in tilt and depth 18"	\$355.00	
G824-R50	<b>Reclinable Tray</b> adj in tilt and depth 20"	\$355.00	
G896-40	<b>Padded Removable Tray Covering</b> 16"	\$105.00	
G896-45	<b>Padded Removable Tray Covering</b> 18"	\$105.00	
G896-50	<b>Padded Removable Tray Covering</b> 20"	\$105.00	
G933	<b>IV Pole</b>	\$260.00	
J914	<b>Footrest Lock</b>	\$225.00	
J905	<b>Hand Brakes</b> - set for rear wheel lock	\$260.00	
G892-40	<b>Removable Footplate Covering</b> 16"	\$160.00	
G892-45	<b>Removable Footplate Covering</b> 18"	\$160.00	
G892-50	<b>Removable Footplate Covering</b> 20"	\$160.00	
J891	<b>Tie Down Hooks</b> Intended for forward-facing transport of the chair in a motor vehicle. Conforms with ISO 7176/19 and ANSI RESNA WC/19	N/C	
171491	<b>Extra Set of Breathable Upholstery</b> 16"	\$550.00	
171425	<b>Extra Set of Breathable Upholstery</b> 18"	\$550.00	
171426	<b>Extra Set of Breathable Upholstery</b> 20"	\$550.00	
100496	<b>Extra Set of Wipeable Upholstery</b> 16"	\$550.00	
100497	<b>Extra Set of Wipeable Upholstery</b> 18"	\$550.00	
100498	<b>Extra Set of Wipeable Upholstery</b> 20"	\$550.00	
LGSVC	<b>Lift Gate Service</b> For facilities without a loading dock	\$105.00*	

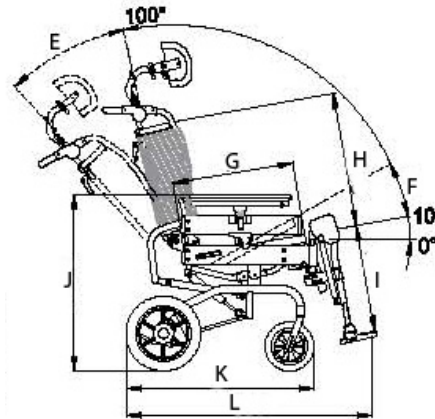
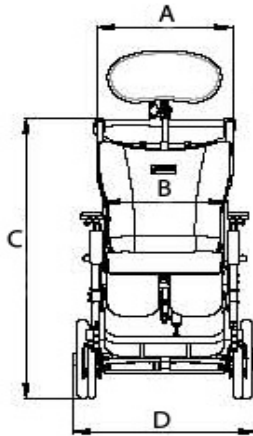
\*Discounts do not apply

**Client Measurements**

A Back height: \_\_\_\_\_ F Lower leg length: \_\_\_\_\_  
 B Chest depth: \_\_\_\_\_ G Head height: \_\_\_\_\_  
 C Chest width: \_\_\_\_\_ H Arm height: \_\_\_\_\_  
 D Seat depth: \_\_\_\_\_ Age: \_\_\_\_\_  
 E Seat width: \_\_\_\_\_ Weight: \_\_\_\_\_

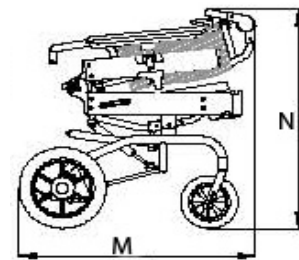


**Dimensions**



Measurements in Inches

Juditta	Size 16	Size 18	Size 20
Max Capacity	264.5 lbs	286.5 lbs	308.5 lbs
Unit Weight B30	84 lbs	86 lbs	88 lbs
Unit Weight B60	90 lbs	92.5 lbs	95 lbs
A	18.5	20.5	22.5
B	16	18	20
C	40.5 - 43	40.5 - 43	40.5 - 43
D B30	24.5	26	28
D B60	27	29	31
E	13° - 38°	13° - 38°	13° - 38°
F	10° - 35°	10° - 35°	10° - 35°
G	16,17,18,19	16,17,18,19	16,17,18,19
H	22 - 24.5	22 - 24.5	22 - 24.5
I	14.5 - 19	14.5 - 19	14.5 - 19
J	28 - 31.5	28 - 31.5	28 - 31.5
K	30.5	30.5	30.5
L	39.5	39.5	39.5
M B30	31	31	31
M B60	34	34	34
N	31	31	31



Note: All specification and prices are subject to change without notice. Prices listed are only valid if ordering with a chair. For coverage information, verify the policy of the appropriate payer. It is recommended to contact Innovation In Motion with any questions regarding proper ordering of the chair at 1-260-665-2769.