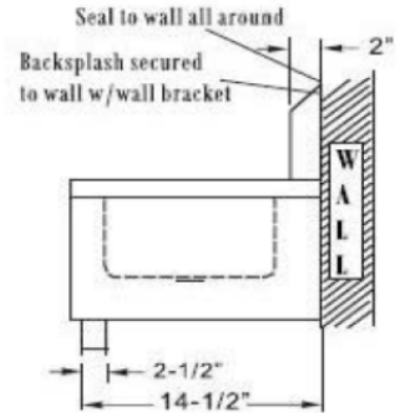
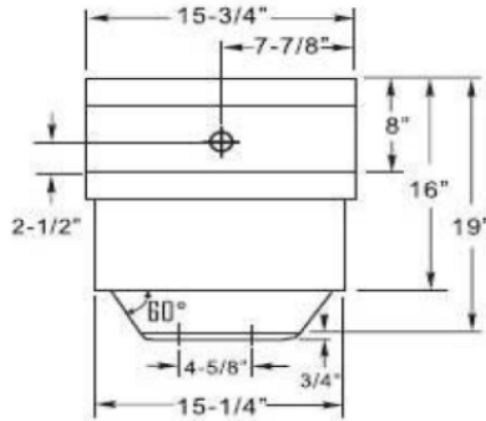
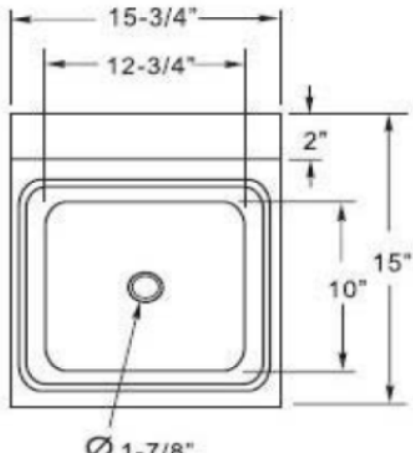


WICKETTS STAINLESS

Stainless Steel Hand Sink
WHS 1615-KSSG KNEE VALVE

SPECIFICATION



Product #	Description
WHS 1615-KSSG	16 x 15 Wall Mount Hand Sink With Knee Valve; Side Splashes Lead Free Faucet

Wicketts Stainless, LLC
2618 San Miguel Bldg. # 376
Newport Beach, CA 92660
Tel: 951-858-2548
Fax: 951-638-9059
sales@wickettsstainless.com
www.wickettsstainless.com



M-080136

Approved for Manufacturing
Company: _____
Signature: _____
Print: _____ Date: ____/____/____