



## BG61 Bore Gauge



Workpiece Measurement



Radio Transmission



Wear-Free Measuring Mechanism



Mass Production



Diameter Measurement



Position Measurement



Roundness Measurement



Cylindricity Measurement



Concentricity Measurement



Bore Gauge **BG61**

**BLUM**  
focus on productivity



# BG61 | Bore Gauge | Tactile workpiece measuring system with BRC radio transmission

## Customized solution for determination of multiple characteristics in bore production

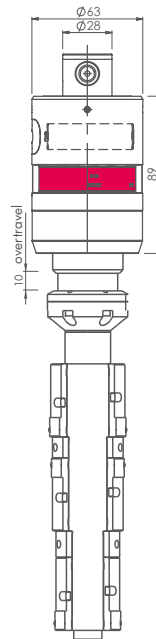
- Solution with up to 8 individual measuring elements
- Measurement of diameter, position, cylindricity, roundness and concentricity
- Instant process control due to calculation of tool compensation values
- Machine-independent measuring system

### Your benefit:

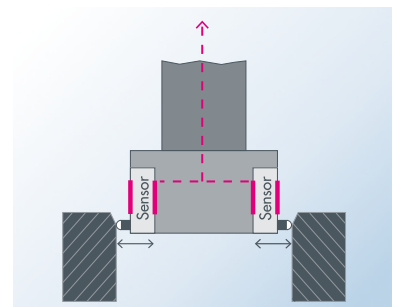
- Extremely fast measurement
- Measurement in initial setting
- Easy pairing procedure between BG and receiver
- Use of up to 16 measuring systems with one receiver
- Elimination of costly post-process measuring station
- High production quality and increased productivity
- Robust design

### BRC Radio Technology

Sequential use of up to 16 measuring systems with one radio receiver.



BG61 in cylinder block production



Measuring principle BG61

### Technical data

Protection class	IP67
Resolution	12 Bit / 0,15 µm
Linearity	1 % of the measuring range
Collision protection: max. overtravel	Z: 6 mm   X/Y: 6°
Max. feed	without limiting
Signal transmission	Radio (BRC Technology)
Frequency band	2,4000 – 2,4835 GHz
Transmission power	0 dBm
Operating range	15 m
Battery (2 pieces)	Saft Lithium LS14500 (AA 3,6V)
Mass	1,2 kg bis 1,5 kg (depending from type)
Tool holder	BTH 50 (HSK, SK, BT, VDI, ...)
Storage/Operating temperature	-20 °C ... +70 °C   +5 °C ... +50 °C



Process control & logging with IF48



focus on productivity

### Blum worldwide Service & Support

More than 40 subsidiaries and service offices.

[www.blum-novotest.com](http://www.blum-novotest.com)

### Blum-Novotest Ltd.

33 Townfields  
Lichfield, Staffordshire  
WS13 8AA, United Kingdom

Phone: +44 1543 257111

Fax: +44 1543 251746

E-Mail: [info@blum-novotest.co.uk](mailto:info@blum-novotest.co.uk)

### Blum LMT, Inc.

4144 Olympic Boulevard  
Erlanger, KY 41018  
USA

Phone: +1 (859) 344 6789

Fax: +1 (859) 344 6799

E-Mail: [solutions@blumlmt.com](mailto:solutions@blumlmt.com)