

JUNIOR HIGH SCHOOL 6

LAMAR CISD

7500 KOEBLEN RD
RICHMOND TX, 77469

ARCHITECT:
PBK, INC.
11 GREENWAY PLAZA SUITE 2210
HOUSTON, TEXAS 77046-1104
P: 713.965.0608
WWW.PBK.COM

GENERAL CONTRACTOR
DRYMALLA CONSTRUCTION COMPANY, INC.
608 HARBERT STREET
COLUMBUS, TEXAS 78934
P: 979.732.5731

ERECTOR

THE THEUT COMPANY, LLC
P.O. BOX 894
1317 BUSINESS 71 N
COLUMBUS, TX 78934
P: 979.732.2201

LEGENDS/SYMBOLS

	FINISHED WOOD		PLYWOOD
	DIMENSION LUMBER		BATT INSULATION
	FACE BRICK		GROUT
	RIGID INSULATION		GLAZED TILE
	CUT STONE		MARBLE
	CONCRETE		ACOUSTICAL CEILING
	CONCRETE BLOCK		SHIM PACK
	STEEL IN SECTION		ALUMINUM

DENOTES BLOCKING OR SHIM, NOT CONTINUOUS, NOT NECESSARILY ONE PIECE & NOT BY THEUT CO., LLC
 DENOTES BACKER ROD OR CAULK ROPE
 ANCHOR LOCATION
 FASTENER LOCATION
 DIMENSIONAL REFERENCE / ELEVATION
 GLAZING INDICATION NUMBER
 2 → DETAIL NUMBER
 3.01 → SHEET NUMBER

DETAIL TAG
 X → SHOP DRAWING DETAIL NUMBER
 3.XX → SHOP DRAWING SHEET NUMBER
REF: XX/XX → ARCH. DRAWING DETAIL REFERENCE
 XX → SHOP DRAWING ELEVATION REFERENCE

1 → WINDOW MARK
 Δ → REVISION NO. (SMALL TRIANGLE)
 A → DOOR NUMBERS
 A → ELEVATION LOCATION-VIEW POINT
 3.01 → ELEVATION MARK/TITLE
 → ELEVATION SHEET NUMBER
 N → DENOTES NORTH DIRECTION

ABBREVIATIONS

A/C = ACCESS CONTROLLED	N.I.C. = NOT IN CONTRACT
A.F.F. = ABOVE FINISHED FLOOR	N.T.S. = NOT TO SCALE
ALUM. = ALUMINUM STOREFRONT	O.D. = OPENING DIMENSION
B.O. = BY OTHERS	O.F.D. = OVERALL FRAME DIMENSION
B.O.H. = BOTTOM OF HORIZONTAL	P.S. = PANEL SIZE
C.L. = CENTER LINE	REF. = REFERENCE
DIM. = DIMENSION	R.O. = ROUGH OPENING
D.L.O. = DAYLIGHT OPENING	T.O.F.F. = TOP OF FINISHED FLOOR
D.L. = DEAD LOAD (ANCHOR)	T.O.H. = TOP OF HORIZONTAL
D.O. = DOOR OPENING	B.O.M.R. = BOTTOM OF MID RAIL
EL. = ELEVATION	T.O.S. = TOP OF SLAB
F.S. = FRAME SIZE	T.O.STL. = TOP OF STEEL
F.F. = FINISH FLOOR	T.O.R. = TOP OF RAIL
G.C. = GENERAL CONTRACTOR	U.N.O. = UNLESS NOTED OTHERWISE
M.O. = MASONRY OPENING	W.D. = WINDOW DIMENSION
M.L. = MULLION LENGTH	W.L. = WIND LOAD (ANCHOR)
N.B.T. = NOT BY THEUT	W.P. = WORKING POINT

THE FOLLOWING DOCUMENTS WERE USED TO PRODUCE SHOP DRAWINGS

ARCHITECTURAL DRAWINGS DATED: 03.06.19

CUSTOMER TAKEOFF: YES

SPECIFICATIONS: YES

ADDENDUM: (CLA 28 - 08.30.19)

OTHER: N/A

INDEX

SHEET NUMBER	DESCRIPTION
.01	COVER SHEET
.02	DOOR SCHEDULE
.03	GLASS & WINDOW SYSTEM SCHEDULES
1.01 - 1.11	FLOOR PLANS
2.01 - 2.06	EXTERIOR CURTAIN WALL (RELIANCE) ELEVATIONS
2.07 - 2.09	EXTERIOR STOREFRONT (FG-3000T) ELEVATIONS
2.10	INTERIOR CURTAIN WALL (RELIANCE) ELEVATION
2.11	INTERIOR STOREFRONT (FG-3000) ELEVATION
2.12 - 2.17	INTERIOR STOREFRONT (FG-2000) ELEVATIONS
3.01 - 3.07	EXTERIOR CURTAIN WALL (RELIANCE) DETAILS
3.08 - 3.10	EXTERIOR STOREFRONT (FG-3000T) DETAILS
3.11 - 3.12	INTERIOR CURTAIN WALL (RELIANCE) DETAILS
3.12 - 3.13	INTERIOR STOREFRONT (FG-3000) DETAILS
3.13 - 3.15	INTERIOR STOREFRONT (FG-2000) DETAILS

09.12.19	1ST SUBMISSION			
12.19.19	1ST REVISION	1		
4.16.20	2ND REVISION (ENGINEERING)	2		
			NO	
				DATE
				DESCRIPTION
				DRAWING SUBMISSION
ERECTOR: THE THEUT COMPANY 1317 HWY. 71 WEST COLUMBUS, TX 78934 979.732.2201				
PROJECT: JUNIOR HIGH SCHOOL 6 LAMAR CISD LOCATION: 7500 KOEBLEN RD RICHMOND TX, 77469				
DRAWN BY:	RA	DATE:	09.12.19	
CHECKED BY:	ST	DATE:	09.12.19	
.01				

DOOR SCHEDULE

DOOR	SIZE	HAND	DOOR TYPE	FRAME	FRAMING	HARDWARE	LOCATION
1100A	6'-0" X 6'-10"	PRSO	ALUM	22	RELIANCE (7 1/4")	4	1101 VESTIBULE
1100B	6'-0" X 6'-10"	PRSO	ALUM	22	RELIANCE (7 1/4")	4	1101 VESTIBULE
1101A	6'-0" X 6'-10"	PRSO	ALUM	14	FG-2000	5	1101 VESTIBULE
1101B	6'-0" X 6'-10"	PRSO	ALUM	14	FG-2000	5	1101 VESTIBULE
1103A	3'-0" X 6'-10"	LH-HLSI	ALUM	10.2	FG-2000	28	1103 OFFICE MAIN
1103B	3'-0" X 6'-10"	RH-HLSO	ALUM	11 OPP	FG-2000	28	1103 OFFICE MAIN
1103C	3'-0" X 6'-10"	LH-HRSO	ALUM	10.1	FG-2000	13	1103 OFFICE MAIN
1130A	3'-0" X 6'-10"	LH-HRSO	ALUM	11	FG-2000	28	1130 SUITE CONSELOR
1139A	3'-0" X 6'-10"	LH-HRSO	ALUM	10	FG-2000	30	1139 SUITE CONSELOR
1142A	3'-0" X 6'-10"	LH-HRSO	ALUM	9.1	FG-3000	3	1142 CORRIDOR
2114A	6'-0" X 6'-10"	PRSO	ALUM	23	RELIANCE (7 1/4")	23	2114 CORRIDOR
2114B	6'-0" X 6'-10"	PRSO	ALUM	23	RELIANCE (7 1/4")	23	2114 CORRIDOR
3100A	6'-0" X 6'-10"	PRSO	ALUM	16	RELIANCE (7 1/4")	16	3100 CORRIDOR
3100B	6'-0" X 6'-10"	PRSO	ALUM	16	RELIANCE (7 1/4")	16	3100 CORRIDOR
3116A	6'-0" X 6'-10"	PRSO	ALUM	23	RELIANCE (7 1/4")	4	3116 CORRIDOR
3116B	6'-0" X 6'-10"	PRSO	ALUM	23	RELIANCE (7 1/4")	4	3116 CORRIDOR
4103B	3'-0" X 6'-10"	RH-HLSO	H.M. (N.B.T.)	1	FG-3000	3	4103 LGI
4104A	6'-0" X 6'-10"	PRSO	ALUM	21	FG-3000	6	4104 LIBRARY
4104B	3'-0" X 6'-10"	RH-HLSO	ALUM	3	FG-3000	3	4104 LIBRARY
4104C	3'-0" X 6'-10"	LH-HRSO	ALUM	3 OPP	FG-3000	3	4104 LIBRARY
4113	3'-0" X 6'-10"	LH-HRSO	ALUM	9	FG-3000	3	4114 CORRIDOR
5100A	6'-0" X 6'-10"	PRSO	ALUM	16	RELIANCE (7 1/4")	1	5100 CORRIDOR MAIN
5100B	6'-0" X 6'-10"	PRSO	ALUM	16	RELIANCE (7 1/4")	5	5100 CORRIDOR MAIN
6110A	6'-0" X 6'-10"	PRSO	ALUM	18	RELIANCE (7 1/4")	4	6110 CORRIDOR
6110B	6'-0" X 6'-10"	PRSO	ALUM	18	RELIANCE (7 1/4")	4	6110 CORRIDOR
6111A	6'-0" X 6'-10"	PRSO	ALUM	18.1	FG-2000	6	6111 CAFETORIUM
6111B	6'-0" X 6'-10"	PRSO	ALUM	18.1	FG-2000	6	6111 CAFETORIUM
6111C	3'-0" X 6'-10"	LH-HRSO	ALUM	13	FG-2000	7	6111 CAFETORIUM
6111D	6'-0" X 6'-10"	PRSO	ALUM	20	FG-2000	8	6111 CAFETORIUM
6111E	3'-0" X 6'-10"	RH-HLSO	ALUM	20	FG-2000	7	6111 CAFETORIUM
6111F	3'-0" X 6'-10"	LH-HRSO	ALUM	20 OPP	FG-2000	7	6111 CAFETORIUM
6111G	6'-0" X 6'-10"	PRSO	ALUM	20 OPP	FG-2000	8	6111 CAFETORIUM
6111H	3'-0" X 6'-10"	RH-HLSO	ALUM	13 OPP	FG-2000	7	6111 CAFETORIUM
7147A	6'-0" X 6'-10"	PRSO	ALUM	24	RELIANCE (7 1/4")	4	7147 CORRIDOR
7147B	6'-0" X 6'-10"	PRSO	ALUM	24	RELIANCE (7 1/4")	4	7147 CORRIDOR
7148A	6'-0" X 6'-10"	PRSO	ALUM	17	FG-3000	4	7148 CORRIDOR

DOOR NOTES:

1) ALUMINUM STOREFRONT DOORS ARE TO BE OLDCASTLE B.E. WIDE STILE (1 3/4" THICK) WITH 6 1/2" TOP RAIL, 6 1/2" MID RAIL AND 10" BOTTOM RAIL.

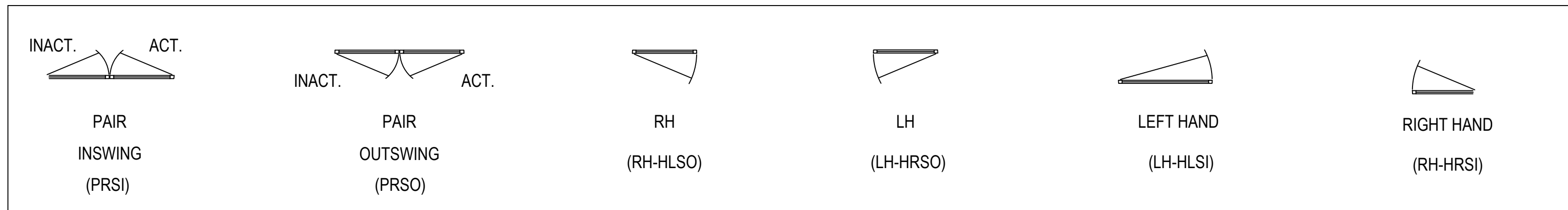
2) EXTERIOR DOORS RECEIVE 1" INSULATED GLASS.

3) INTERIOR DOORS RECEIVE 1/4" TEMPERED GLASS.

DOOR HARDWARE NOTES:

1) ALL HARDWARE IS SUPPLIED BY OTHERS. THEUT GLASS WILL PREP AND INSTALL THE HARDWARE PER THE APPROVED HARDWARE SCHEDULE. AN APPROVED HARDWARE SCHEDULE MUST BE SUPPLIED. ANY DELAY IN RECEIVING AN APPROVED HARDWARE SCHEDULE WILL RESULT IN A DIRECT DELAY OF THE DOOR FABRICATION.

2) ALL HARDWARE MUST BE SUPPLIED TO THEUT GLASS. PLEASE MARK EACH BOX CLEARLY WITH DOOR NUMBERS. ANY DELAY IN RECEIVING THE HARDWARE WILL RESULT IN A DIRECT DELAY IN DOOR SHIPMENT.



1ST SUBMISSION	12.19.19	THE THEUT COMPANY 1317 HWY. 71 WEST COLUMBUS, TX 78934 979.732.2201	1ST REVISION	4.16.20	DATE
2	1		2	1	DATE
DESCRIPTION			DRAWING SUBMISSION		DATE
ERECTOR:		PROJECT: JUNIOR HIGH SCHOOL 6 LAMAR CISD LOCATION: 7500 KOEBLEN RD RICHMOND TX, 77469			
DRAWN BY:	DATE:				
RA	09.12.19				
CHECKED BY:	DATE:				
ST	09.12.19				
.02					

GLASS SCHEDULE

GLAZING	
G1	1" INSULATED VISION -1/4" CLEAR TEMPERED WITH GUARDIAN SNX 62/27 ON (#2) SURFACE -1/2" BLACK AIR SPACE -1/4" CLEAR TEMPERED
G2	1/2" CLEAR TEMPERED
G3	1/4" CLEAR TEMPERED
G5	1" SPANDREL (MAPES PANELS) FINISH TO MATCH FRAME
<h3 style="margin: 0;">GLASS ILLUSTRATION</h3>	

GLASS/GLAZING NOTES:

ALL GLAZING TYPES LISTED HERE ARE BASIC DESCRIPTIONS.
REFERENCE THEUT'S SEPARATE SUBMITTALS FOR A COMPLETE
GLASS SCHEDULE.

ARCHITECT TO CHOOSE GLASS TINT AND MAKE UP FROM PROVIDED SAMPLES.

SPECIAL NOTES:

- SEE SEPARATE SAMPLES FOR GLASS MAKE UP.
- ALL WATER PROOFING MEMBRANE AND THRU WALL FLASHING IS SUPPLIED AND INSTALLED BY OTHERS. WATER PROOFING MEMBRANE MUST RETURN PAST THE "DRY LINE" OF THE WINDOW SYSTEM.
- PERIMETER SUBSTRATE MUST RETURN BEHIND STOREFRONT FRAME TO ALLOW FOR PROPER CAULKING TO MAINTAIN A WATERPROOF CONDITION.
- ALL BLOCKING AND STRUCTURAL SUPPORT IS SUPPLIED AND INSTALLED BY OTHERS.
- ALL ELEVATIONS ARE VIEWED FROM THE EXTERIOR UNLESS NOTED OTHERWISE.
- BREAK METAL FLASHING AT STOREFRONT SILLS BY THEUT.

WINDOW SYSTEMS:

EXTERIOR CURTAINWALLS:
OLDCASTLE B.E. RELIANCE - 2 1/2" X 7 1/4"
TO ACCEPT 1" GLASS.

EXTERIOR STOREFRONT:
OLDCASTLE B.E. FG-3000T - 2" X 4 1/2"
CENTER SET TO ACCEPT 1" GLASS.

INTERIOR CURTAINWALLS:
OLDCASTLE B.E. RELIANCE - 2 1/2" X 6 1/2"
TO ACCEPT 1/4" GLASS.

INTERIOR STOREFRONT:
OLDCASTLE B.E. FG-3000 - 2" X 4 1/2"
CENTER SET TO ACCEPT 1/2" GLASS.

OLDCASTLE B.E. FG-2000 - 1 3/4" X 4 1/2"
CENTER SET TO ACCEPT 1/4" GLASS.

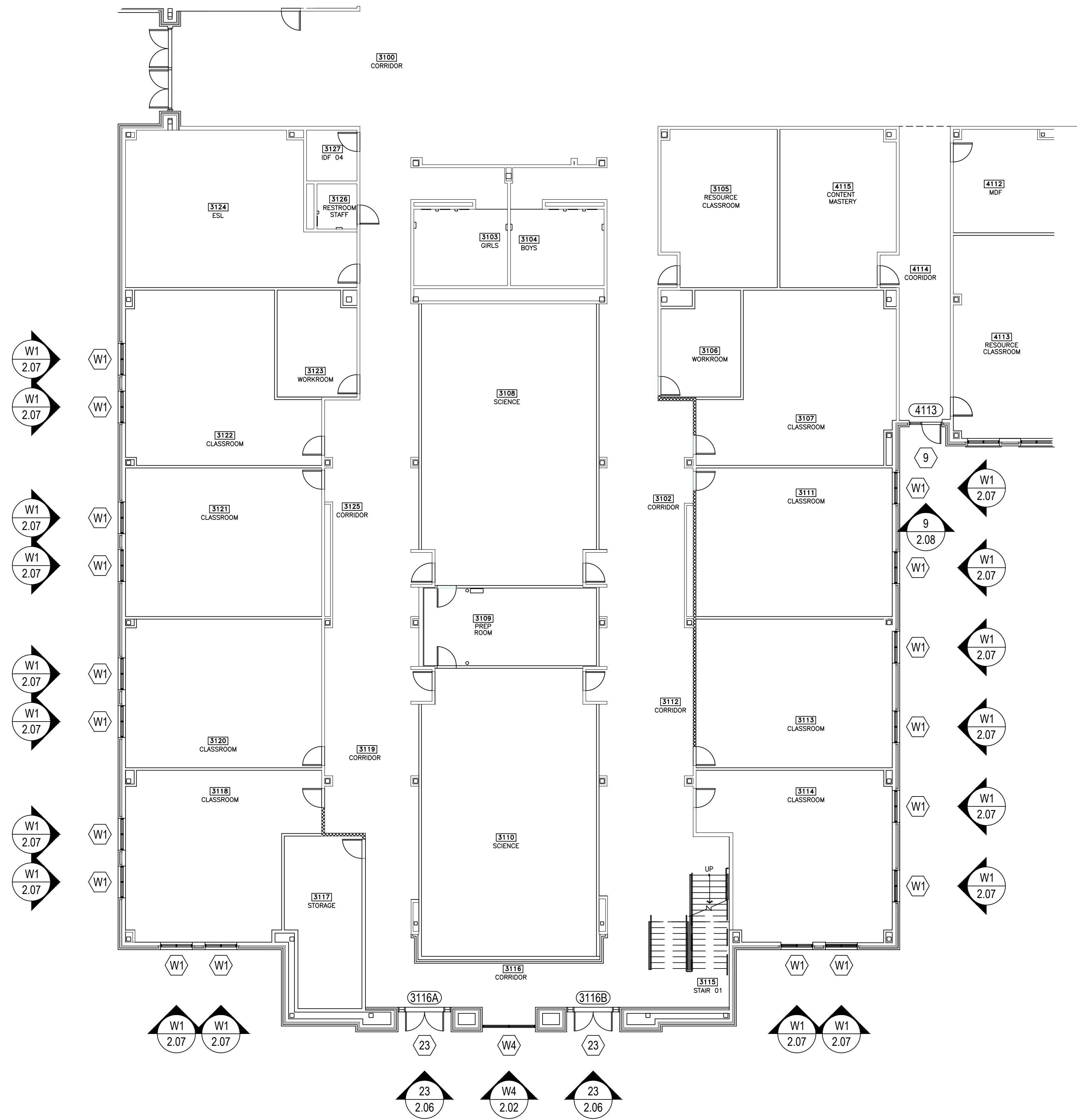
ALUMINUM DOORS:
OLDCASTLE B.E. (1 3/4" THICK) WIDE STILE DOORS
6 1/2" TOP RAIL, 6 1/2" MID RAIL AND 10" BOTTOM RAIL.
EXTERIOR TO ACCEPT 1" GLASS.
INTERIOR TO ACCEPT 1/4" GLASS.

FINISH:
CLASS I CLEAR ANODIZED

EXCLUSIONS:

- UNLESS STATED OTHERWISE.
THE FOLLOWING ITEMS ARE NOT SUPPLIED BY THEUT CO., LLC
- A. HOLLOW METAL FRAMING
 - B. WOOD DOORS
 - C. STRUCTURAL SUPPORT OR BLOCKING.
 - D. FINAL CLEANING OF GLASS OR METAL.
 - E. PROTECTION OF WORK IN PLACE.
 - F. FIRE PROOFING
 - G. HOLLOW METAL DOORS
 - H. FLASHING UNLESS OTHERWISE NOTED
 - I. EXPANSION JOINTS
 - J. METAL PANELING

PROJECT:	JUNIOR HIGH SCHOOL 6	1ST SUBMISSION	09.12.19	
	LAMAR CISD	1ST REVISION	12.19.19	
		2ND REVISION (ENGINEERING)	4.16.20	
			DATE	DRAWING SUBMISSION
ERECTOR:	THE THEUT COMPANY 1317 HWY. 71 WEST COLUMBUS, TX 78934 979.732.2201			
DRAWN BY:	RA	DATE:	09.12.19	
CHECKED BY:	ST	DATE:	09.12.19	
.03				

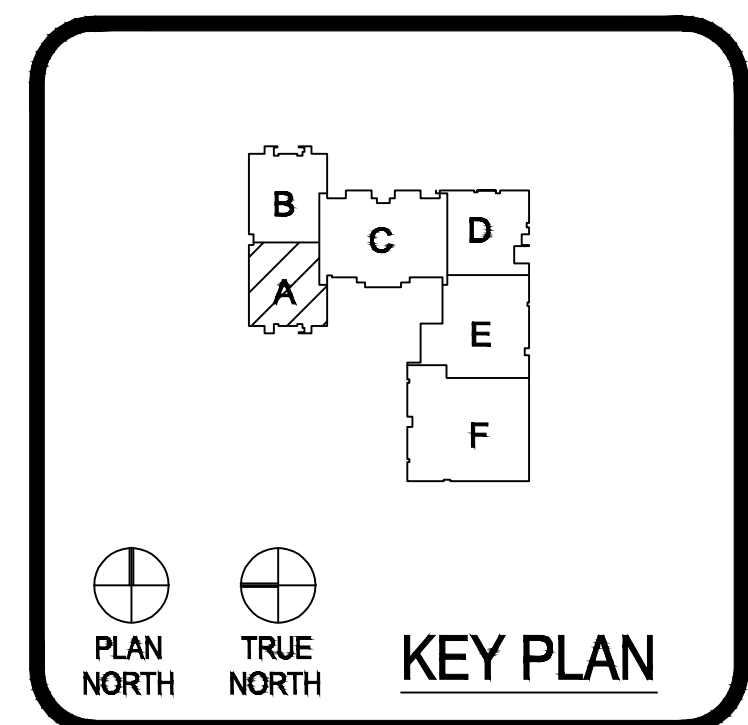


ARCH / G.C. NOTE:

FLOOR PLANS ARE PROVIDED FOR OPENING TYPE LOCATION ONLY. REFER TO SPECIFIC MARK ELEVATIONS FOR SIZE REFERENCE DIMENSIONING, MULLION SPACING, ETC.

FIRST FLOOR PLAN AREA 'A'

NTS ARCH. REF.: A-101A

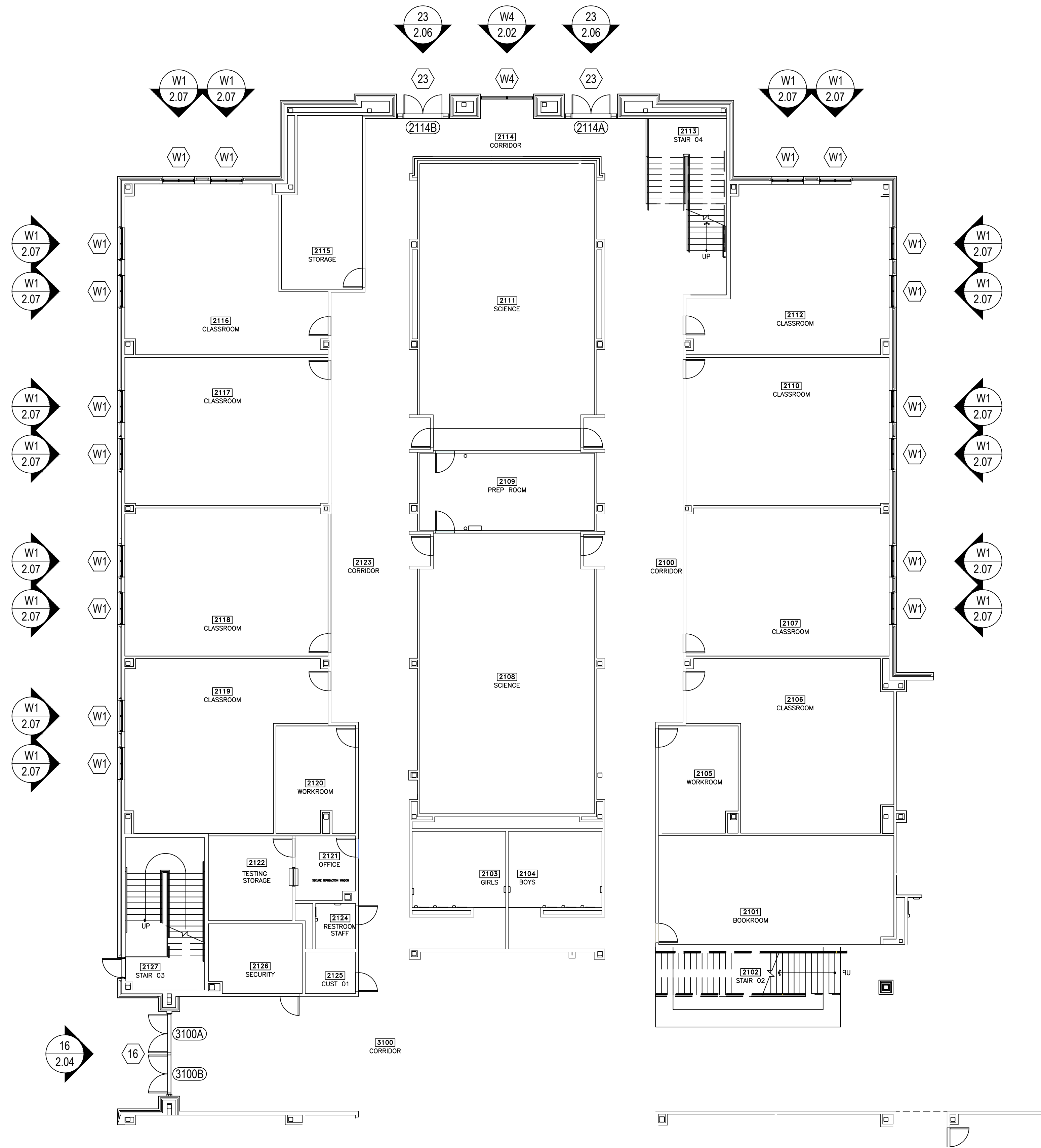


1ST SUBMISSION	09.12.19
1 1ST REVISION	12.19.19
2 2ND REVISION (ENGINEERING)	4.16.20
DATE	

ERECTOR:
THE THEUT COMPANY
 1317 HWY. 71 WEST
 COLUMBUS, TX 78934
 979.732.2201

PROJECT: JUNIOR HIGH SCHOOL 6
 LAMAR CISD
 LOCATION: 7500 KOEBLEN RD
 RICHMOND TX, 77469

DRAWN BY: RA	DATE: 09.12.19
CHECKED BY: ST	DATE: 09.12.19



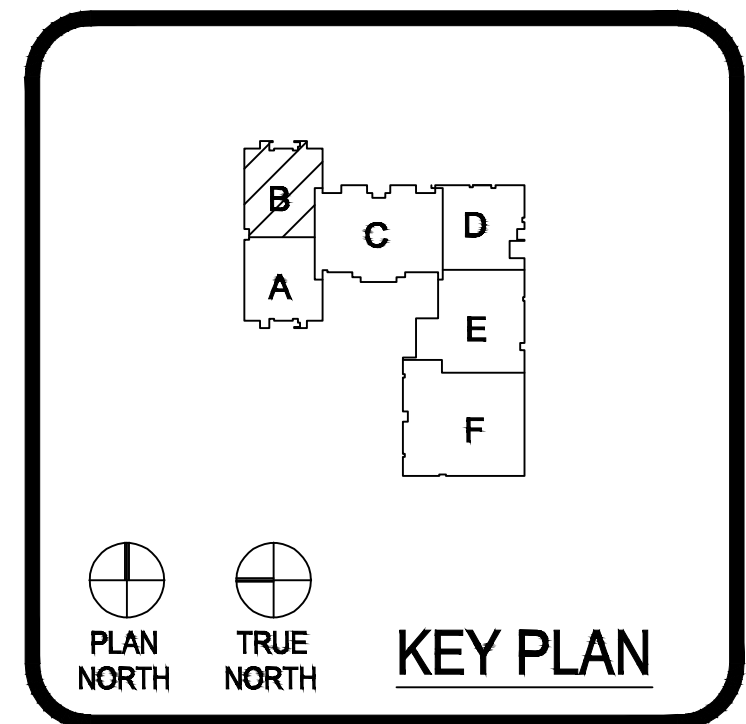
ARCH / G.C. NOTE:

FLOOR PLANS ARE PROVIDED FOR OPENING TYPE LOCATION ONLY. REFER TO SPECIFIC MARK ELEVATIONS FOR SIZE REFERENCE DIMENSIONING, MULLION SPACING, ETC.

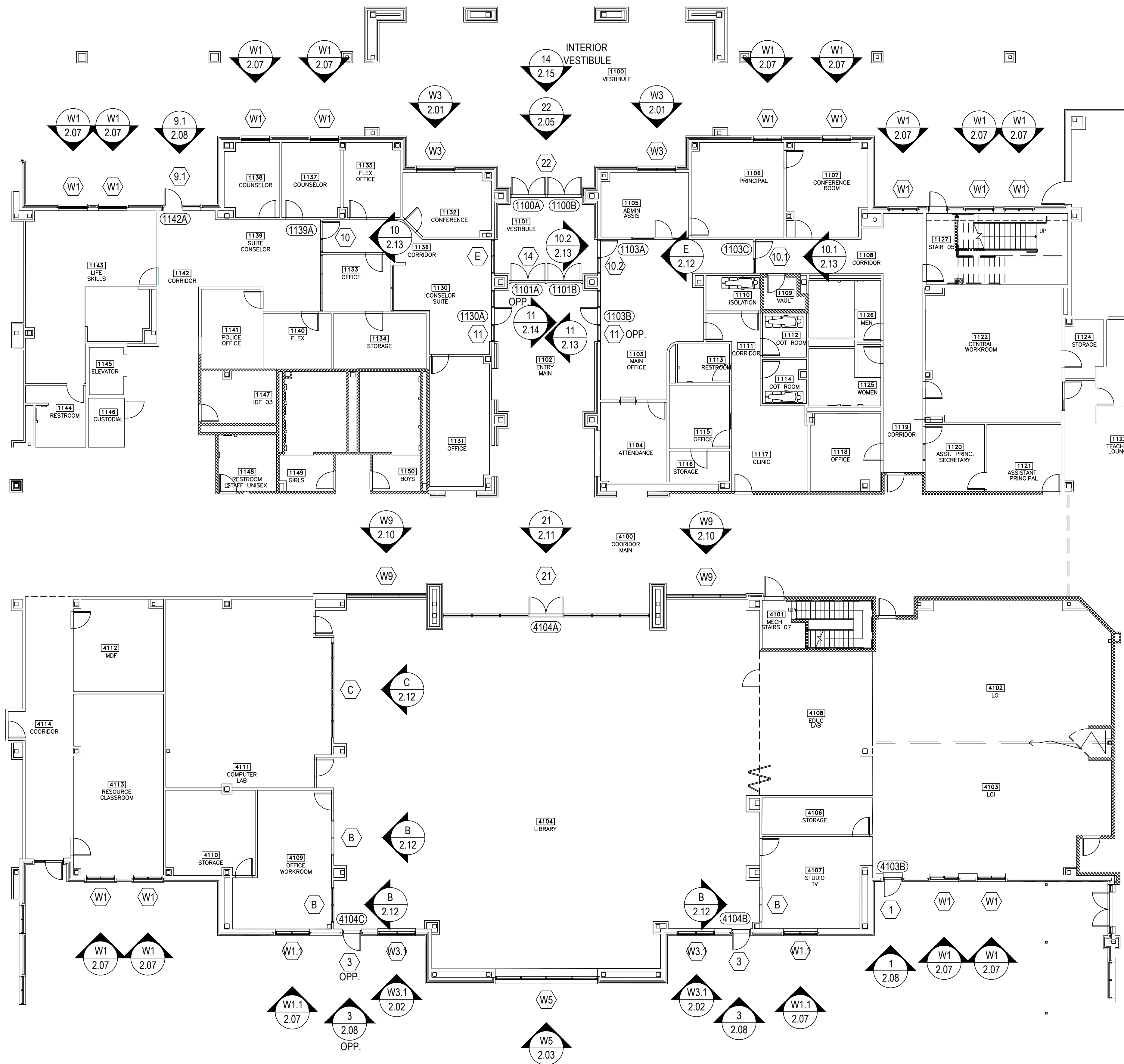
FIRST FLOOR PLAN AREA 'B'

NTS

ARCH. REF.: A-101B



PROJECT:	JUNIOR HIGH SCHOOL 6	1ST SUBMISSION	09.12.19
LOCATION:	LAMAR CISD	1ST REVISION	12.19.19
LOCATION:	7500 KOEBLEN RD	2ND REVISION (ENGINEERING)	4.16.20
LOCATION:	RICHMOND TX, 77469	DATE	
ERECTOR:	THE THEUT COMPANY 1317 HWY. 71 WEST COLUMBUS, TX 78934 979.732.2201	DRAWING SUBMISSION	

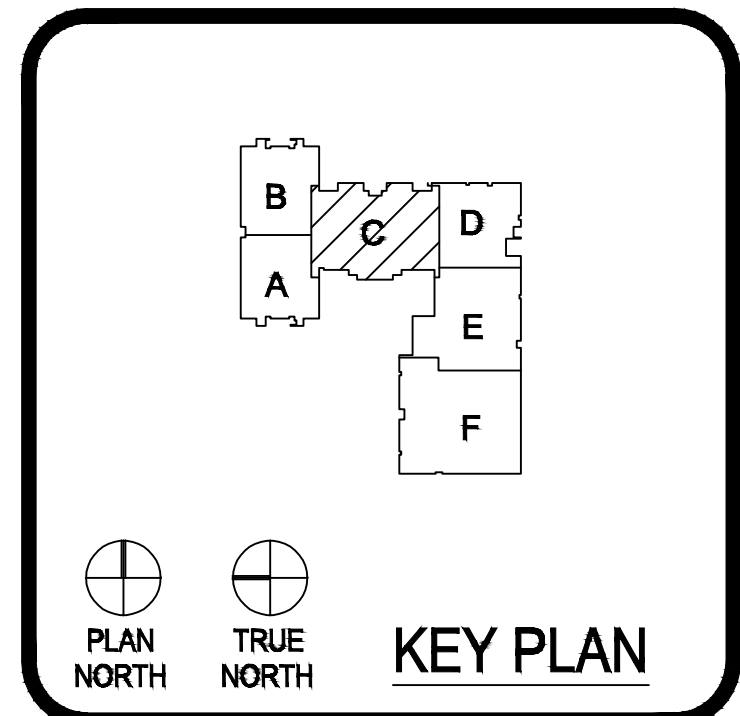


FIRST FLOOR PLAN AREA 'C'

NTS ARCH. REF.: A-101C

ARCH / G.C. NOTE:

FLOOR PLANS ARE PROVIDED FOR OPENING TYPE LOCATION ONLY. REFER TO SPECIFIC MARK ELEVATIONS FOR SIZE REFERENCE DIMENSIONING, MULLION SPACING, ETC.



09.12.19	1ST SUBMISSION
12.19.19	1ST REVISION
4.16.20	2ND REVISION (ENGINEERING)
	DATE

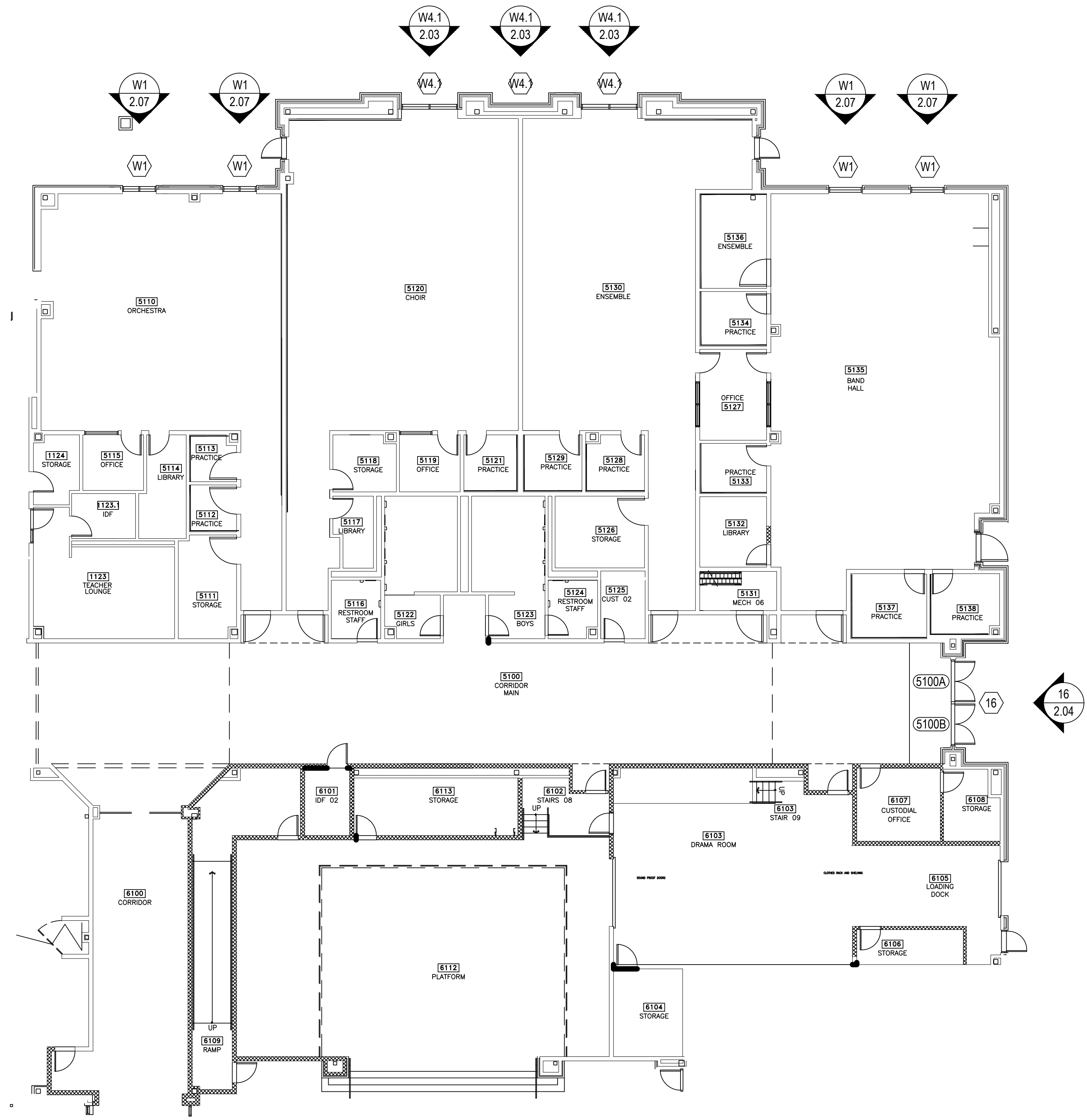
ERECTOR:
THE THEUT COMPANY
 1317 HWY. 71 WEST
 COLUMBUS, TX 78934
 979.732.2201

PROJECT: JUNIOR HIGH SCHOOL 6
 LAMAR CISD
 LOCATION: 7500 KOEBLEN RD
 RICHMOND TX, 77469

DRAWN BY: RA	DATE: 09.12.19
CHECKED BY: ST	DATE: 09.12.19

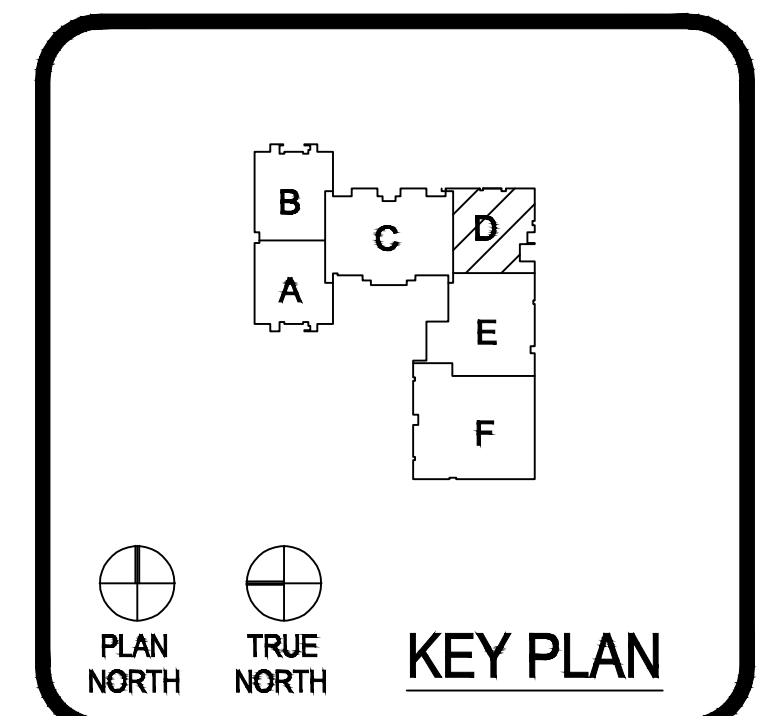
ARCH / G.C. NOTE:

FLOOR PLANS ARE PROVIDED FOR OPENING TYPE LOCATION ONLY. REFER TO SPECIFIC MARK ELEVATIONS FOR SIZE REFERENCE DIMENSIONING, MULLION SPACING, ETC.

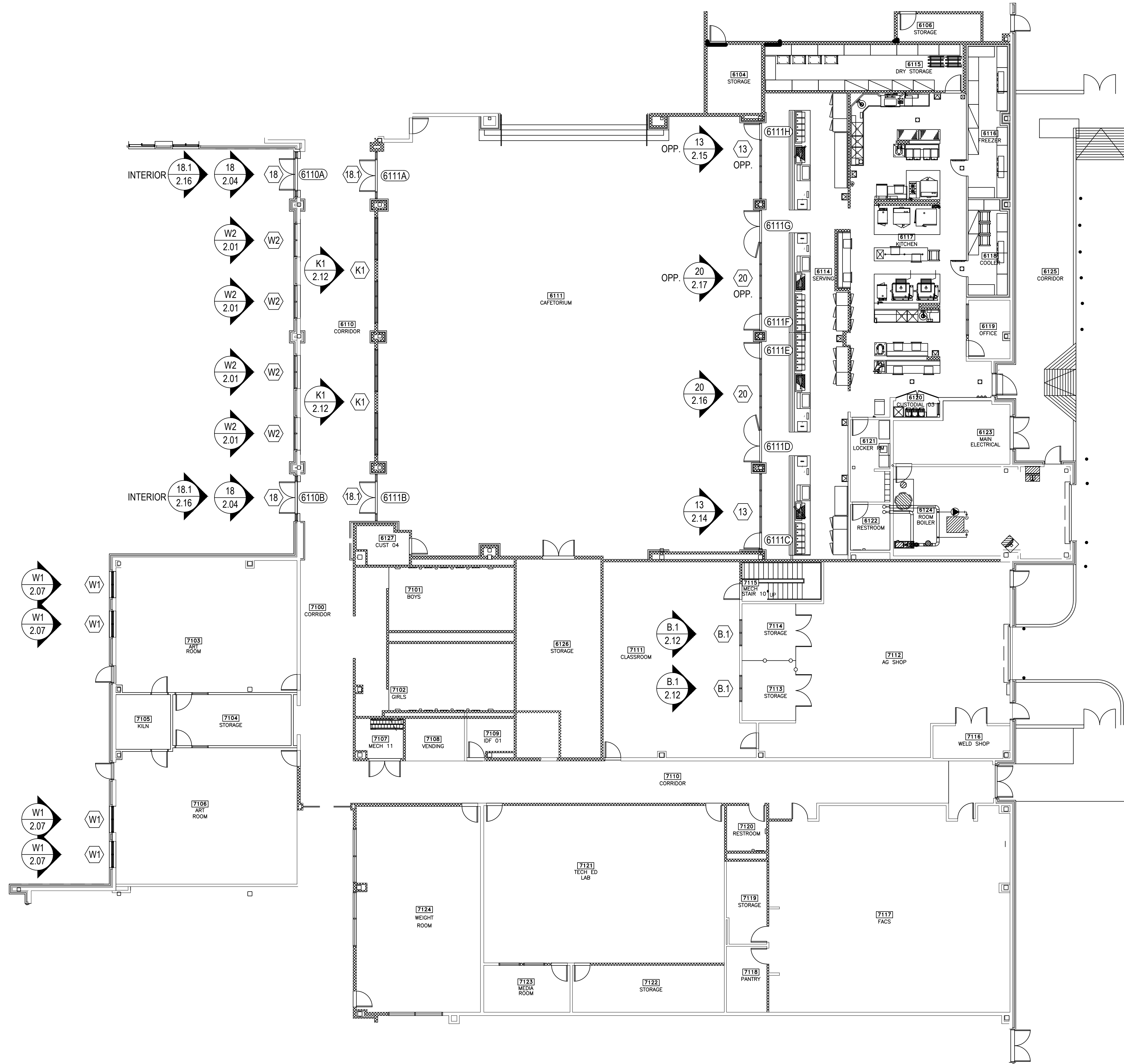


FIRST FLOOR PLAN AREA 'D'

NTS ARCH. REF.: A-101D



PROJECT:	JUNIOR HIGH SCHOOL 6	ERECTOR:	THE THEUT COMPANY	1ST SUBMISSION	09.12.19
	LAMAR CISD		1317 HWY. 71 WEST	1ST REVISION	12.19.19
			COLUMBUS, TX 78934	2ND REVISION (ENGINEERING)	4.16.20
			979.732.2201		DATE
LOCATION:	7500 KOEBLEN RD				
	RICHMOND TX, 77469				
DRAWN BY:	RA	DATE:	09.12.19		
CHECKED BY:	ST	DATE:	09.12.19		
1.04					

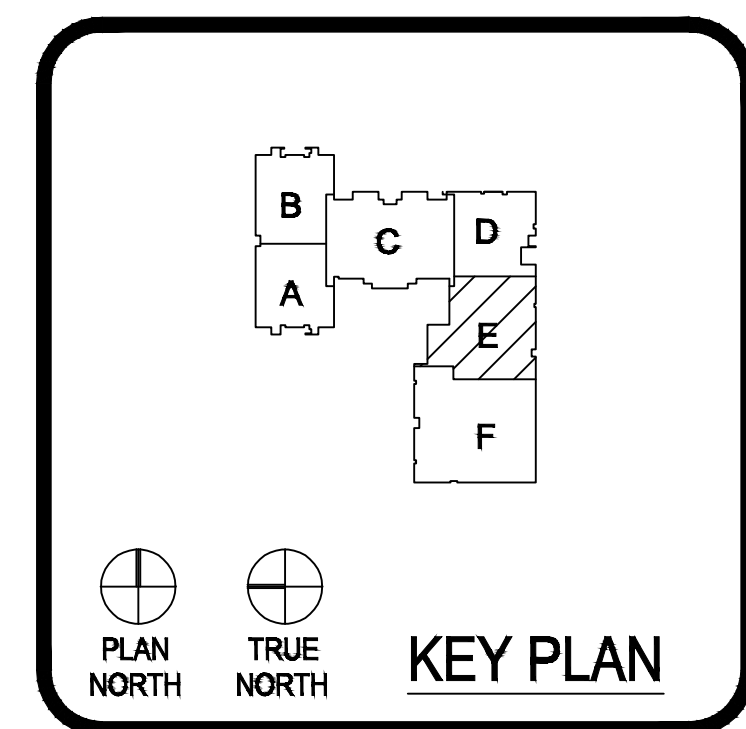


ARCH / G.C. NOTE:

FLOOR PLANS ARE PROVIDED FOR OPENING TYPE LOCATION ONLY. REFER TO SPECIFIC MARK ELEVATIONS FOR SIZE REFERENCE DIMENSIONING, MULLION SPACING, ETC.

FIRST FLOOR PLAN AREA 'E'

NTS ARCH. REF.: A-101E

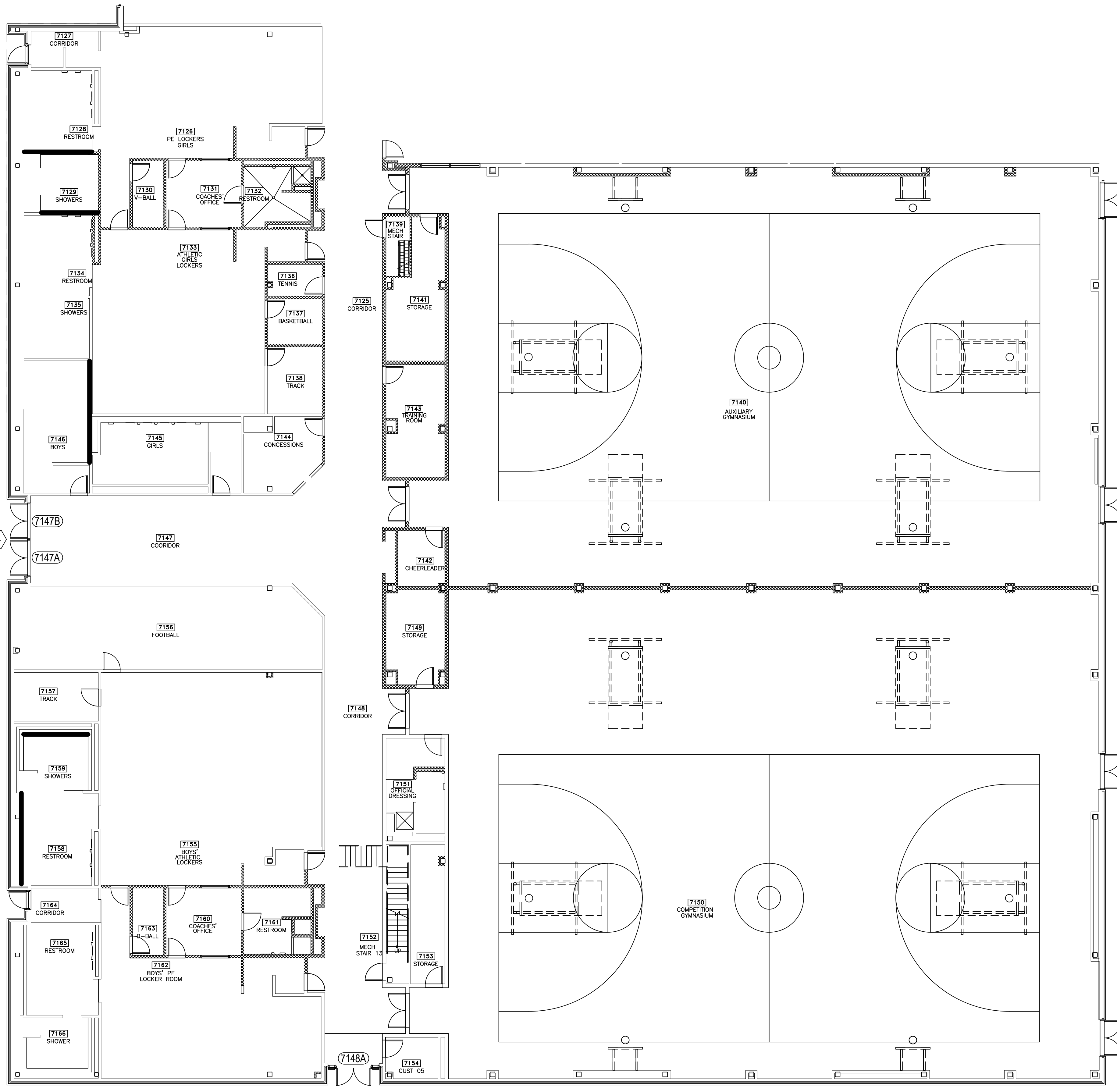


1ST SUBMISSION	09.12.19
1 1ST REVISION	12.19.19
2 2ND REVISION (ENGINEERING)	4.16.20
DATE	

ERECTOR:
THE THEUT COMPANY
 1317 HWY. 71 WEST
 COLUMBUS, TX 78934
 979.732.2201

PROJECT: JUNIOR HIGH SCHOOL 6
 LAMAR CISD
 LOCATION: 7500 KOEBLEN RD
 RICHMOND TX, 77469

DRAWN BY: RA	DATE: 09.12.19
CHECKED BY: ST	DATE: 09.12.19



24
2.06

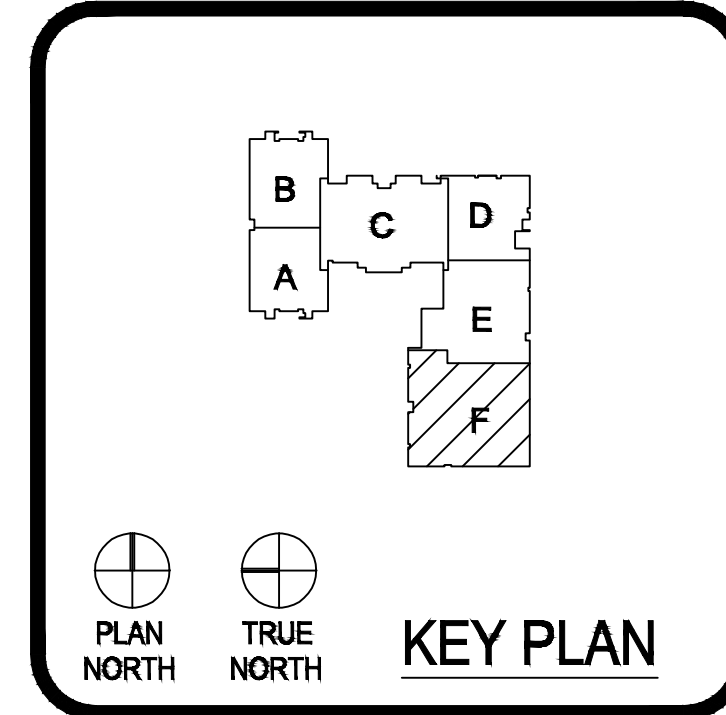
17
2.09

FIRST FLOOR PLAN AREA 'F'

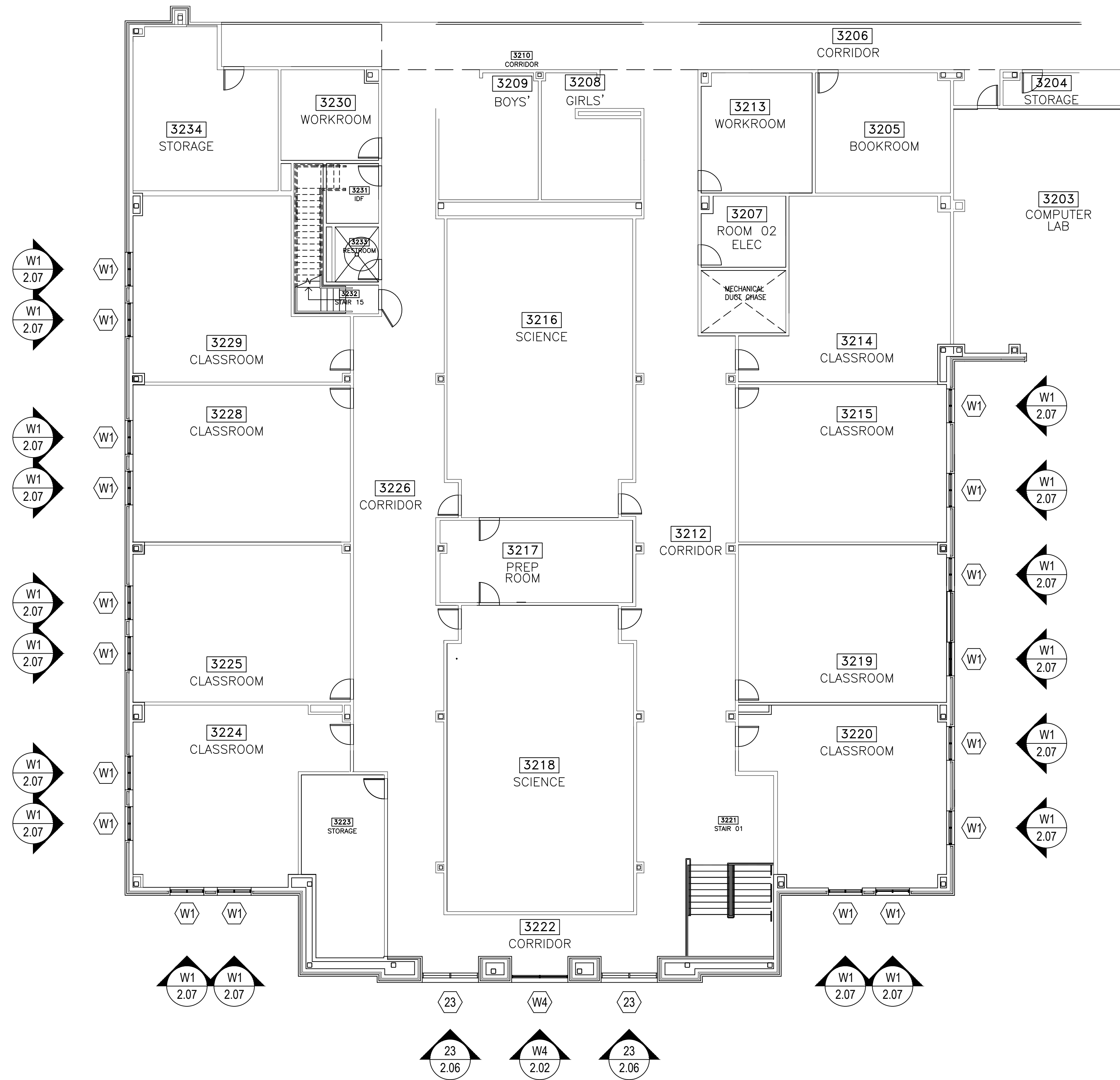
NTS ARCH. REF.: A-101F

ARCH / G.C. NOTE:

FLOOR PLANS ARE PROVIDED FOR OPENING TYPE LOCATION ONLY. REFER TO SPECIFIC MARK ELEVATIONS FOR SIZE REFERENCE DIMENSIONING, MULLION SPACING, ETC.



PROJECT:	JUNIOR HIGH SCHOOL 6	ERECTOR:	THE THEUT COMPANY
LOCATION:	LAMAR CISD 7500 KOEBLEN RD RICHMOND TX, 77469	1ST SUBMISSION	09.12.19
DRAWN BY:	RA	1ST REVISION	12.19.19
CHECKED BY:	ST	2ND REVISION (ENGINEERING)	4.16.20
DATE:	09.12.19	DATE:	
		DRAWING SUBMISSION	

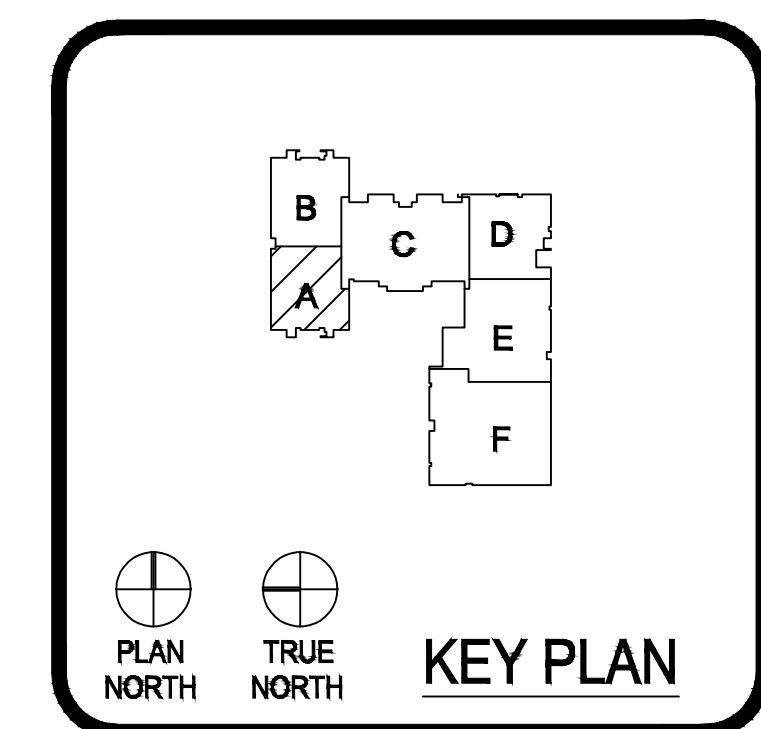


ARCH / G.C. NOTE:

FLOOR PLANS ARE PROVIDED FOR OPENING TYPE LOCATION ONLY. REFER TO SPECIFIC MARK ELEVATIONS FOR SIZE REFERENCE DIMENSIONING, MULLION SPACING, ETC.

SECOND FLOOR PLAN AREA 'A2'

NTS ARCH. REF.: A-102A

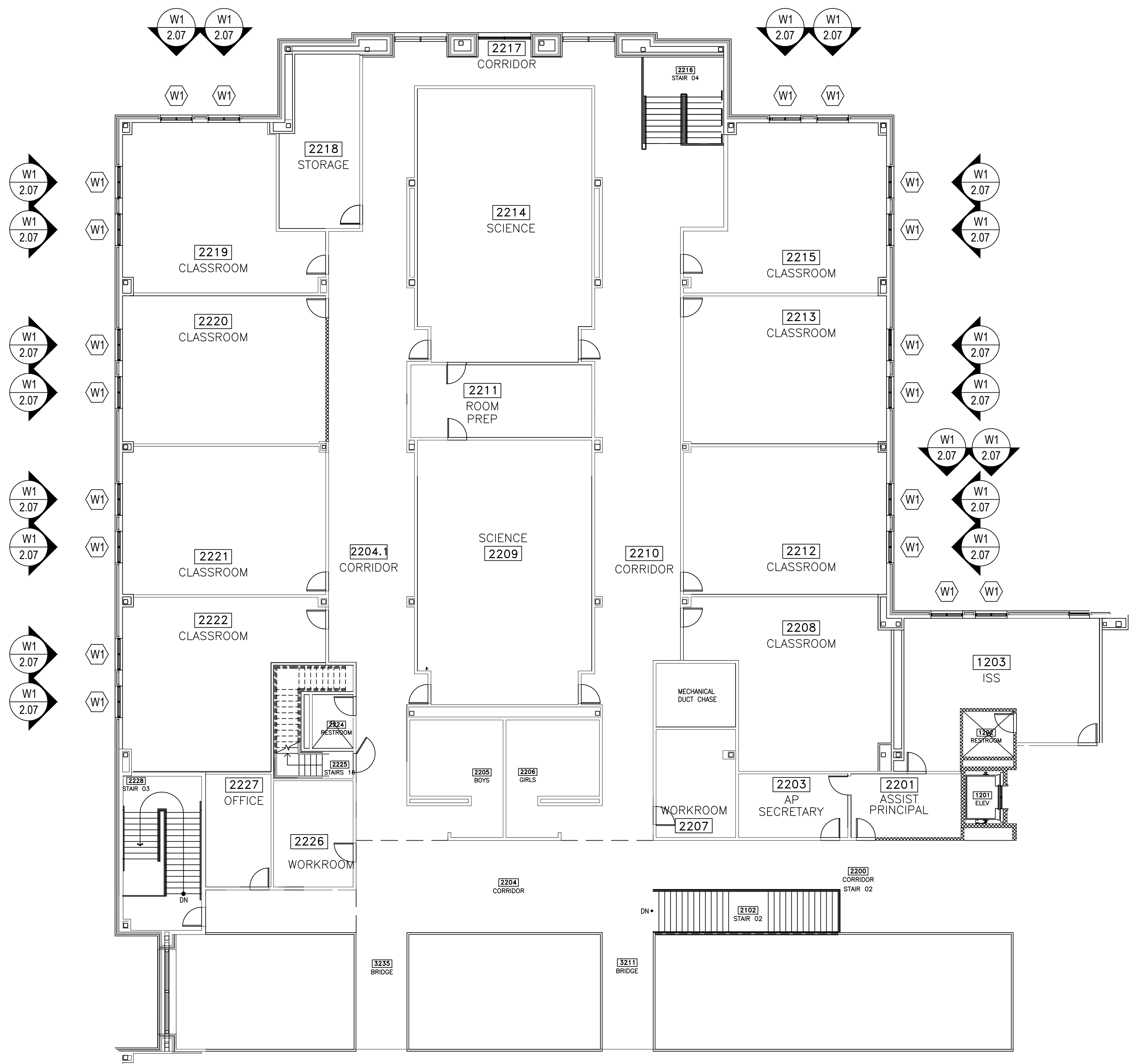


1ST SUBMISSION	09.12.19
1 1ST REVISION	12.19.19
2 2ND REVISION (ENGINEERING)	4.16.20
DATE	
DRAWING SUBMISSION	

ERECTOR:
THE THEUT COMPANY
 1317 HWY. 71 WEST
 COLUMBUS, TX 78934
 979.732.2201

PROJECT: JUNIOR HIGH SCHOOL 6
 LAMAR CISD
 LOCATION: 7500 KOEBLEN RD
 RICHMOND TX, 77469

DRAWN BY:	DATE:
RA	09.12.19
CHECKED BY:	DATE:
ST	09.12.19

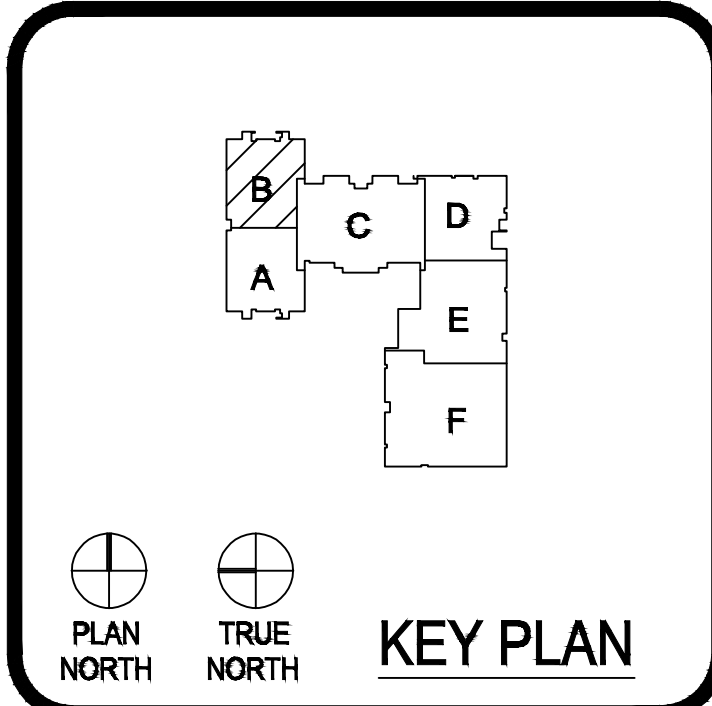


ARCH / G.C. NOTE:

FLOOR PLANS ARE PROVIDED FOR OPENING TYPE LOCATION ONLY. REFER TO SPECIFIC MARK ELEVATIONS FOR SIZE REFERENCE DIMENSIONING, MULLION SPACING, ETC.

SECOND FLOOR PLAN AREA 'B2'

NTS ARCH. REF.: A-102B

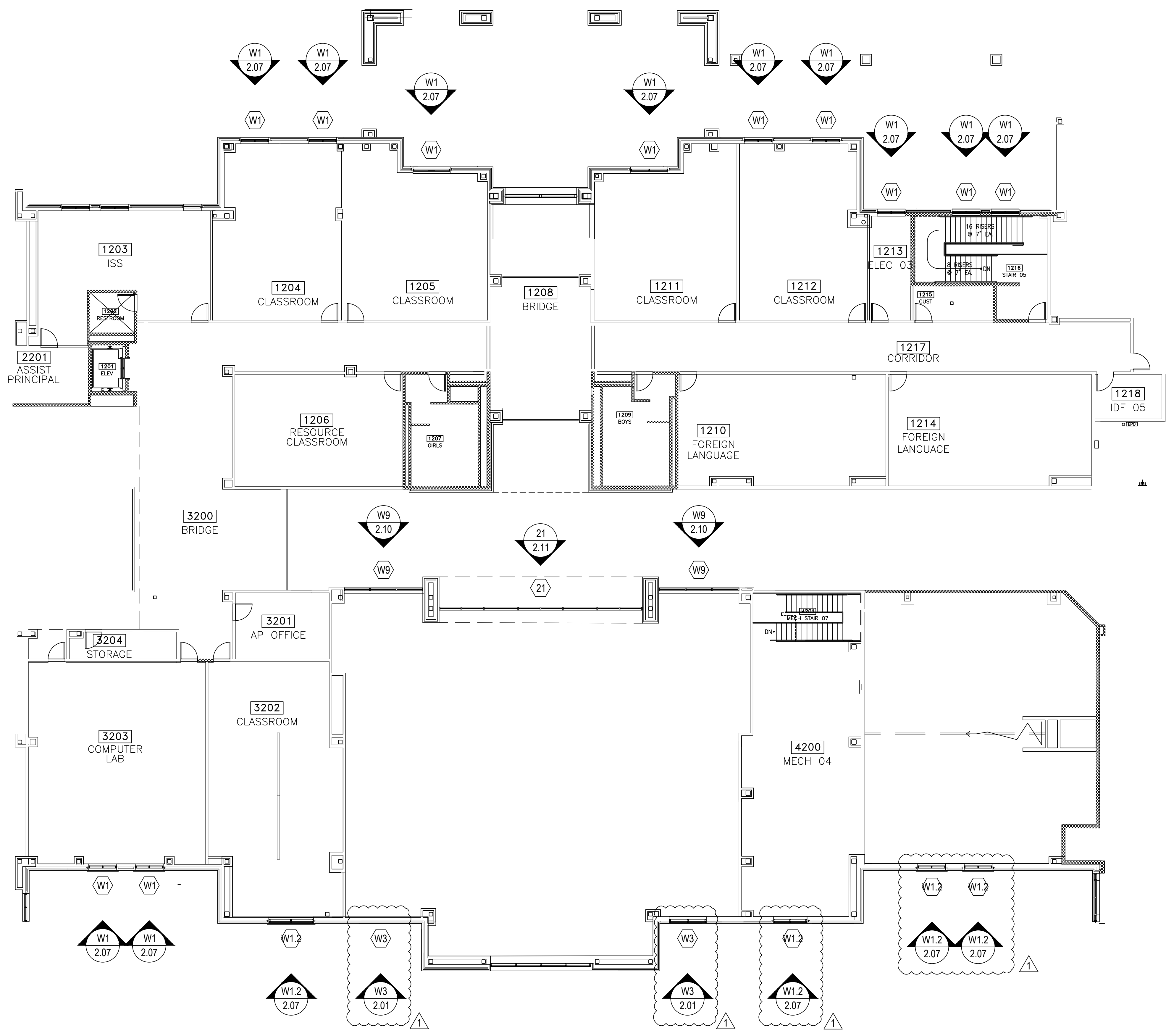


1ST SUBMISSION	09.12.19
1 1ST REVISION	12.19.19
2 2ND REVISION (ENGINEERING)	4.16.20
DATE	
DRAWING SUBMISSION	

ERECTOR:
THE THEUT COMPANY
 1317 HWY. 71 WEST
 COLUMBUS, TX 78934
 979.732.2201

PROJECT: JUNIOR HIGH SCHOOL 6
 LAMAR CISD
 LOCATION: 7500 KOEBLEN RD
 RICHMOND TX, 77469

DRAWN BY:	DATE:
RA	09.12.19
CHECKED BY:	DATE:
ST	09.12.19

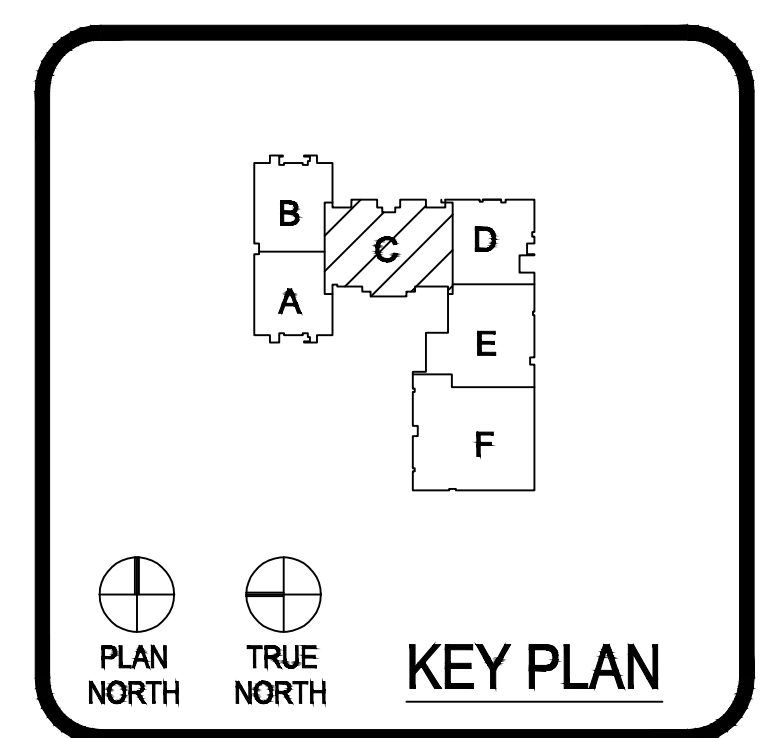


ARCH / G.C. NOTE:

FLOOR PLANS ARE PROVIDED FOR OPENING TYPE LOCATION ONLY. REFER TO SPECIFIC MARK ELEVATIONS FOR SIZE REFERENCE DIMENSIONING, MULLION SPACING, ETC.

SECOND FLOOR PLAN AREA 'C2'

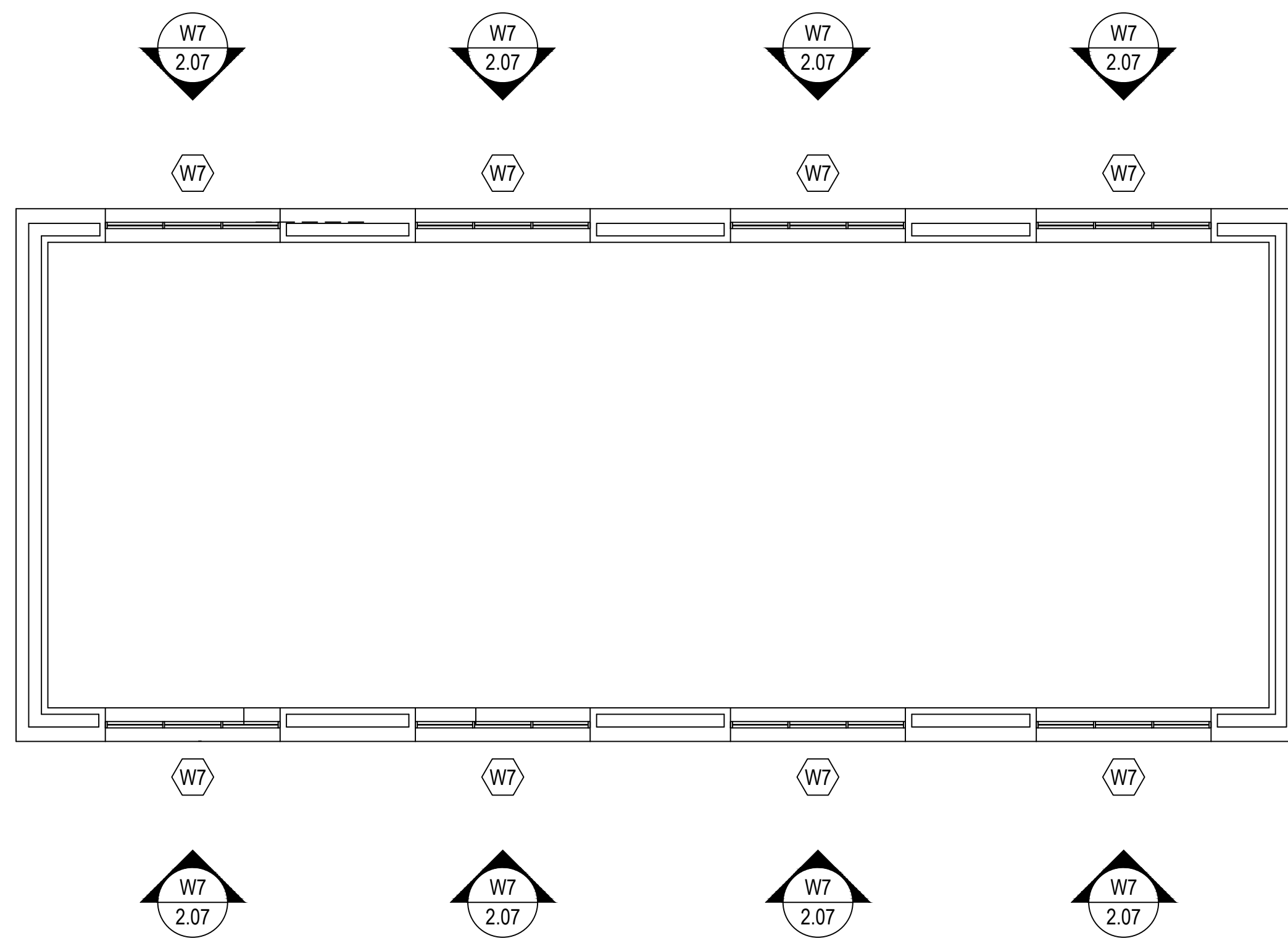
NTS ARCH. REF.: A-102C



PROJECT:	JUNIOR HIGH SCHOOL 6	DATE:	09.12.19
LOCATION:	LAMAR CISD 7500 KOEBLEN RD RICHMOND TX, 77469	CHECKED BY:	ST
ERECTOR:	THE THEUT COMPANY 1317 HWY. 71 WEST COLUMBUS, TX 78934 979.732.2201	DATE:	09.12.19
1ST SUBMISSION	09.12.19	DATE:	09.12.19
1 1ST REVISION	12.19.19	DATE:	09.12.19
2 2ND REVISION (ENGINEERING)	4.16.20	DATE:	09.12.19
DRAWING SUBMISSION		DATE:	

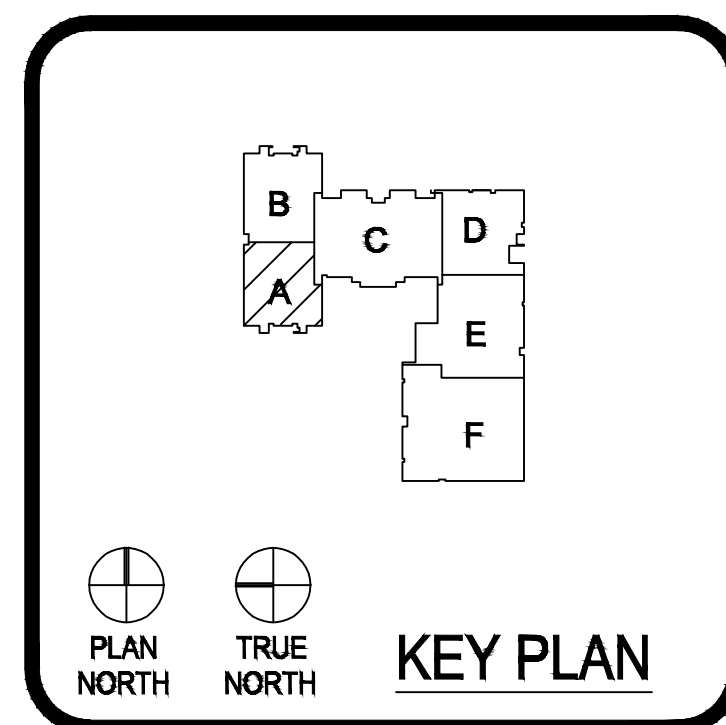
ARCH / G.C. NOTE:

FLOOR PLANS ARE PROVIDED FOR OPENING TYPE LOCATION ONLY. REFER TO SPECIFIC MARK ELEVATIONS FOR SIZE REFERENCE DIMENSIONING, MULLION SPACING, ETC.



THIRD FLOOR PLAN AREA 'A3'

NTS ARCH. REF.: A-103A



1ST SUBMISSION	09.12.19
1 1ST REVISION	12.19.19
2 2ND REVISION (ENGINEERING)	4.16.20
DATE	
DRAWING SUBMISSION	

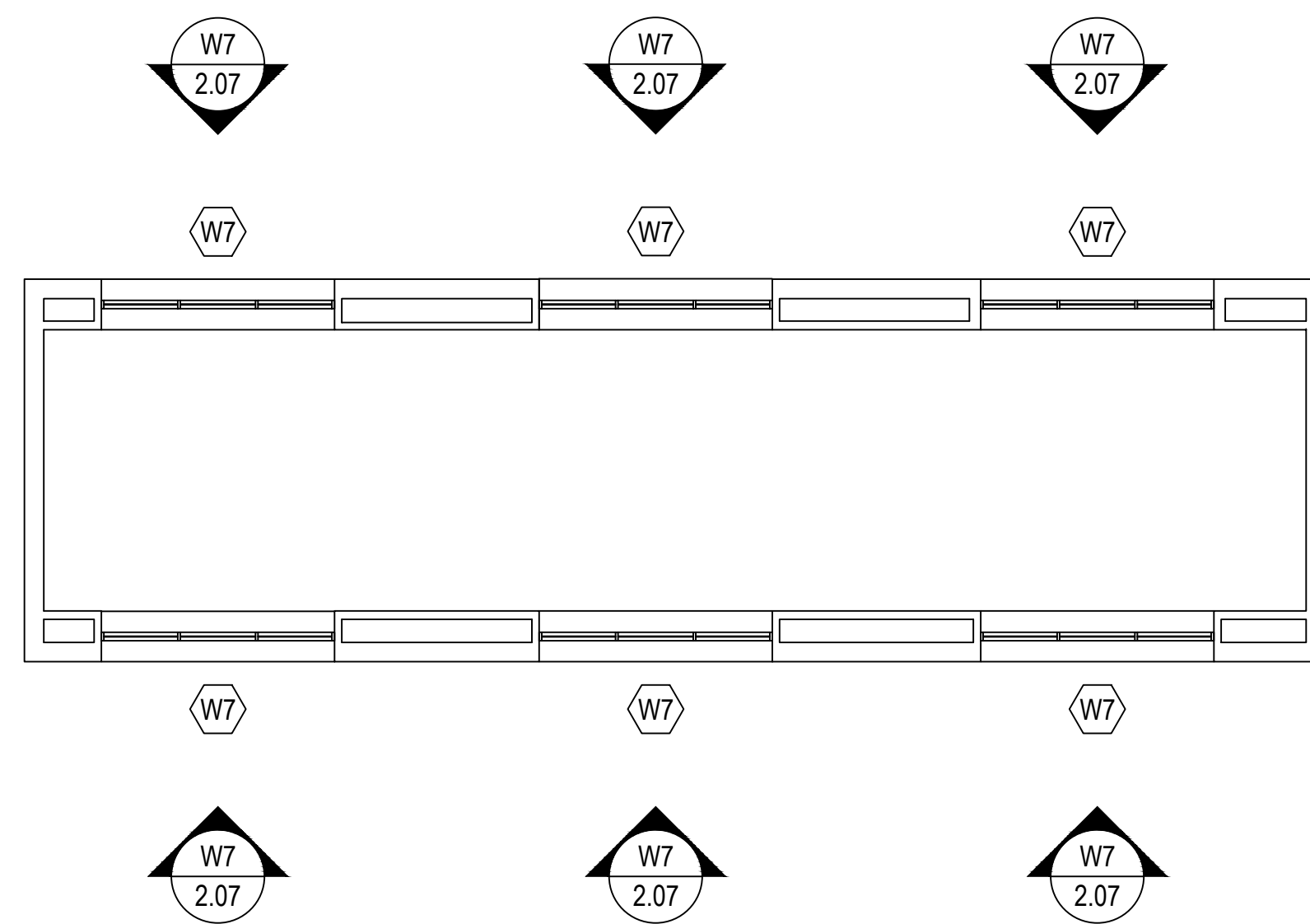
ERECTOR:
THE THEUT COMPANY
 1317 HWY. 71 WEST
 COLUMBUS, TX 78934
 979.732.2201

PROJECT: JUNIOR HIGH SCHOOL 6
 LAMAR CISD
 LOCATION: 7500 KOEBLEN RD
 RICHMOND TX, 77469

DRAWN BY: RA	DATE: 09.12.19
CHECKED BY: ST	DATE: 09.12.19

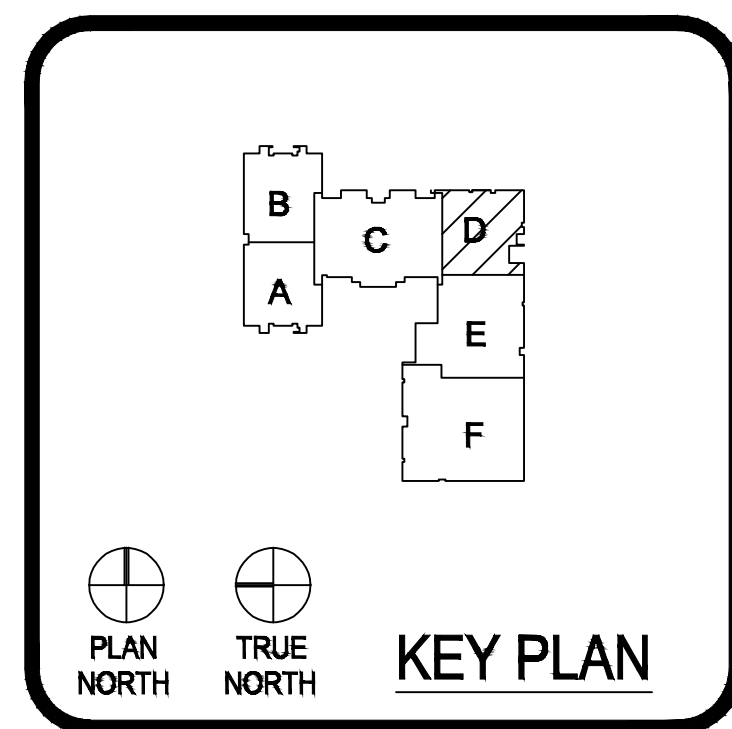
ARCH / G.C. NOTE:

FLOOR PLANS ARE PROVIDED FOR OPENING TYPE LOCATION ONLY. REFER TO SPECIFIC MARK ELEVATIONS FOR SIZE REFERENCE DIMENSIONING, MULLION SPACING, ETC.

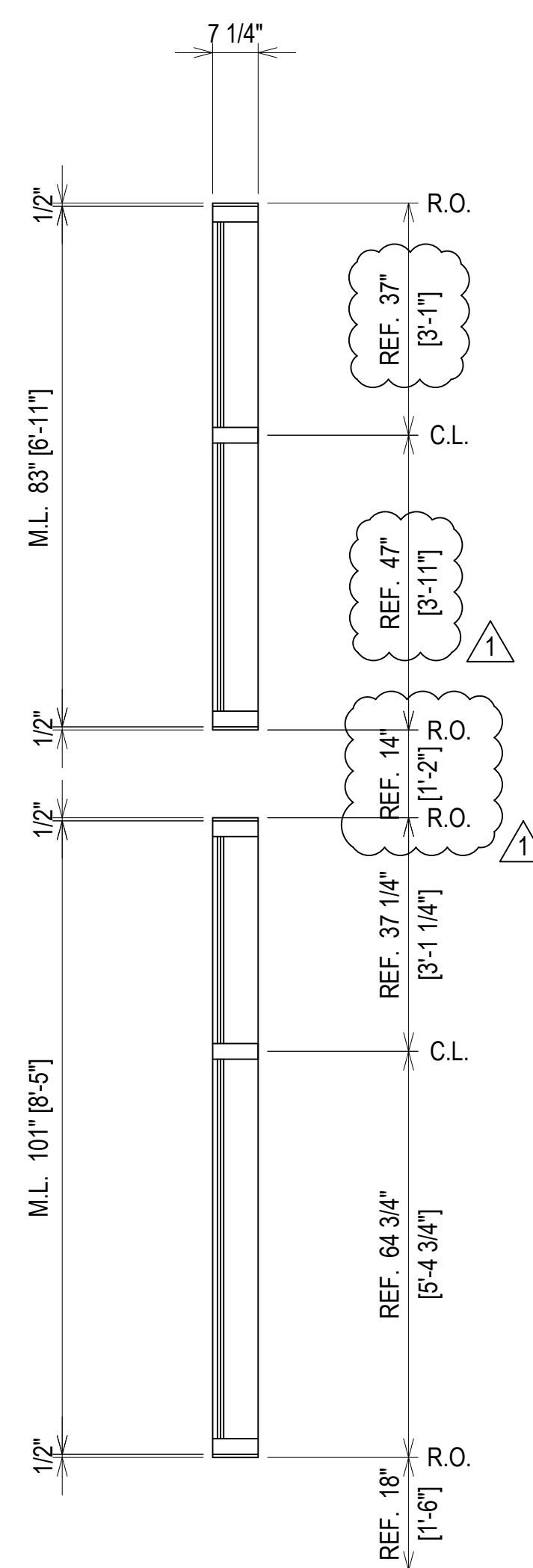
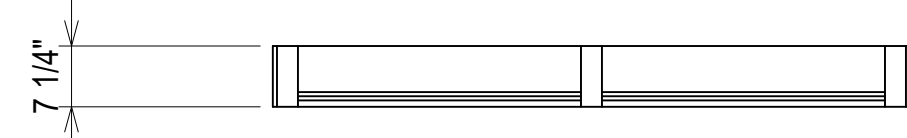
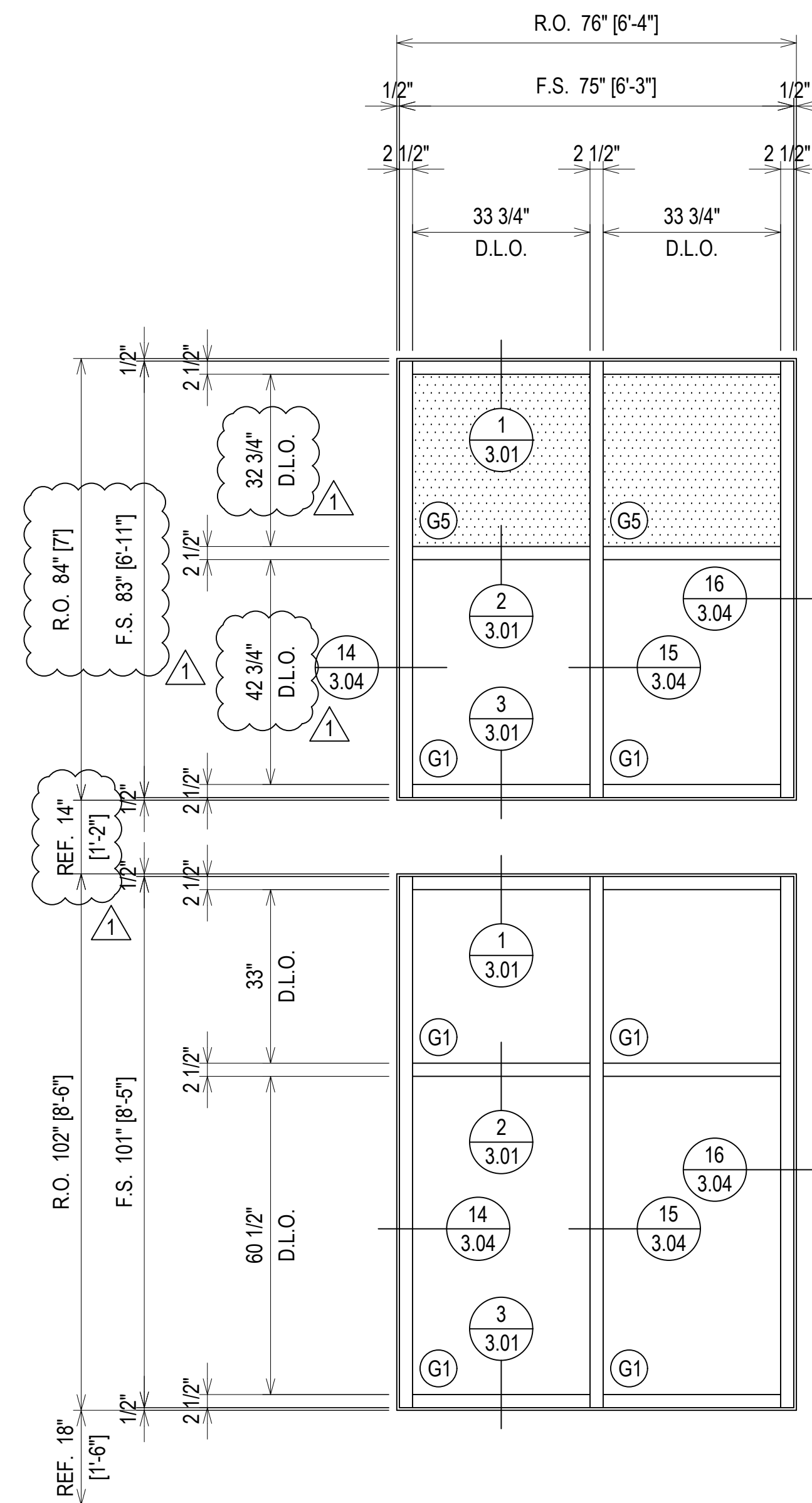
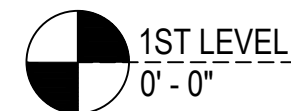


THIRD FLOOR PLAN AREA 'D3'

NTS ARCH. REF.: A-103D



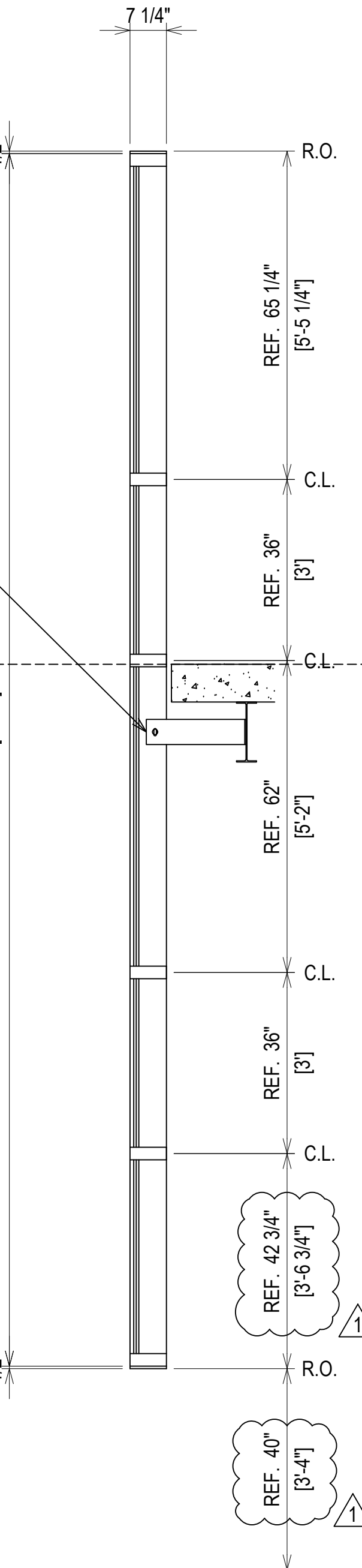
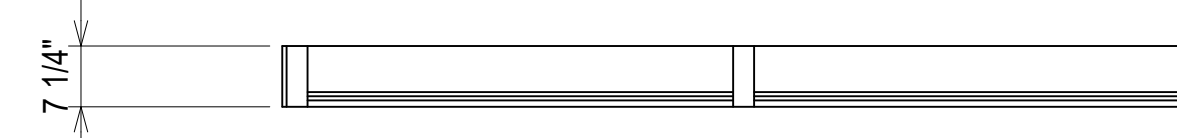
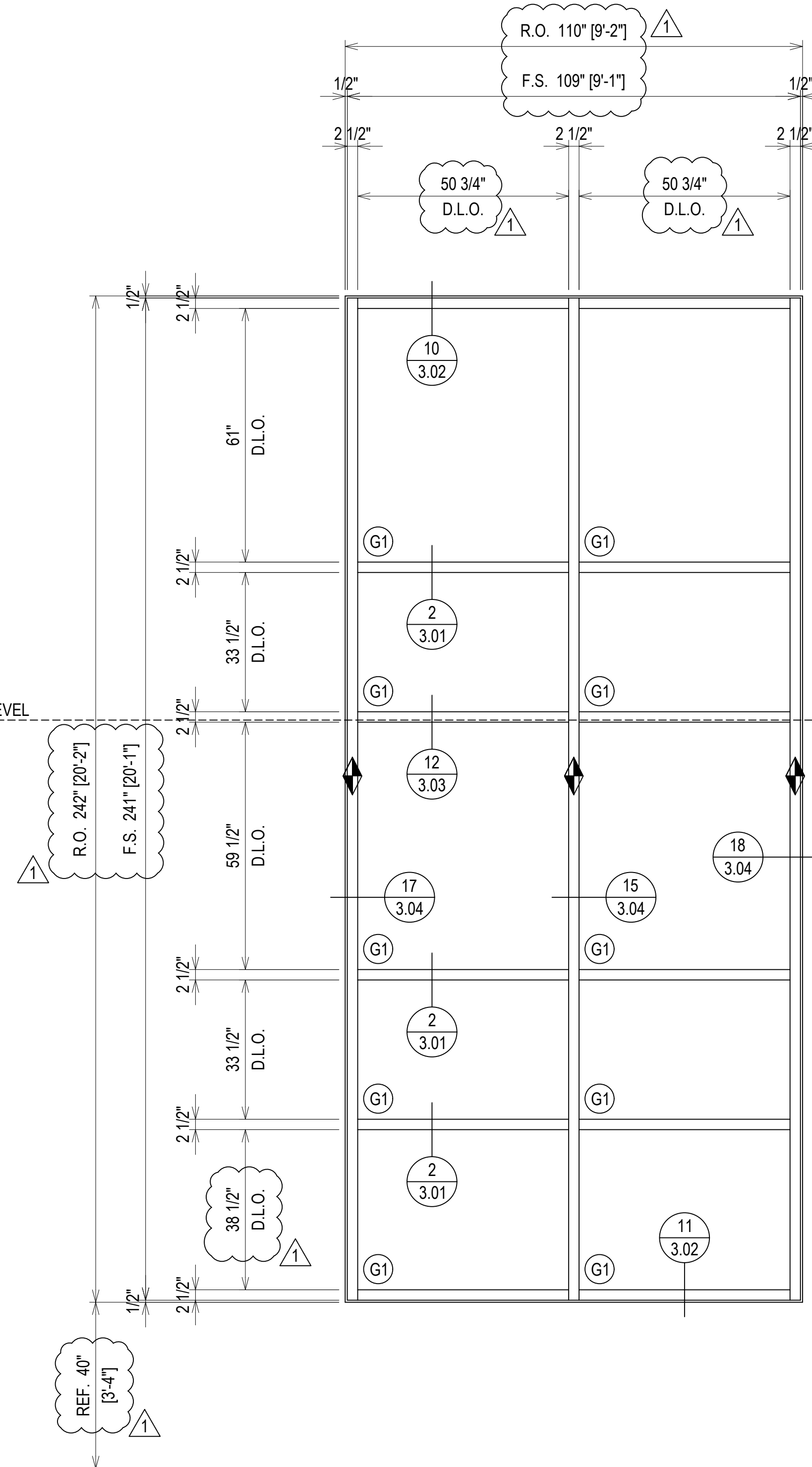
PROJECT:	JUNIOR HIGH SCHOOL 6	1ST SUBMISSION	09.12.19
LOCATION:	LAMAR CISD	1 1ST REVISION	12.19.19
	7500 KOEBLEN RD	2 2ND REVISION (ENGINEERING)	4.16.20
	RICHMOND TX, 77469		DATE
			DRAWING SUBMISSION
ERECTOR: THE THEUT COMPANY 1317 HWY. 71 WEST COLUMBUS, TX 78934 979.732.2201			
DRAWN BY:	RA	DATE:	09.12.19
CHECKED BY:	ST	DATE:	09.12.19
1.11			



ARCH. REF.: N/A

ELEVATION W2

SCALE: 1/2" = 1'-0"
 OLDCASTLE B.E. RELIANCE - 2 1/2" X 7 1/4"
 EXTERIOR CURTAIN WALL
 1" INSULATED GLASS
 QUANTITY: 4



ARCH. REF.: N/A

ELEVATION W3

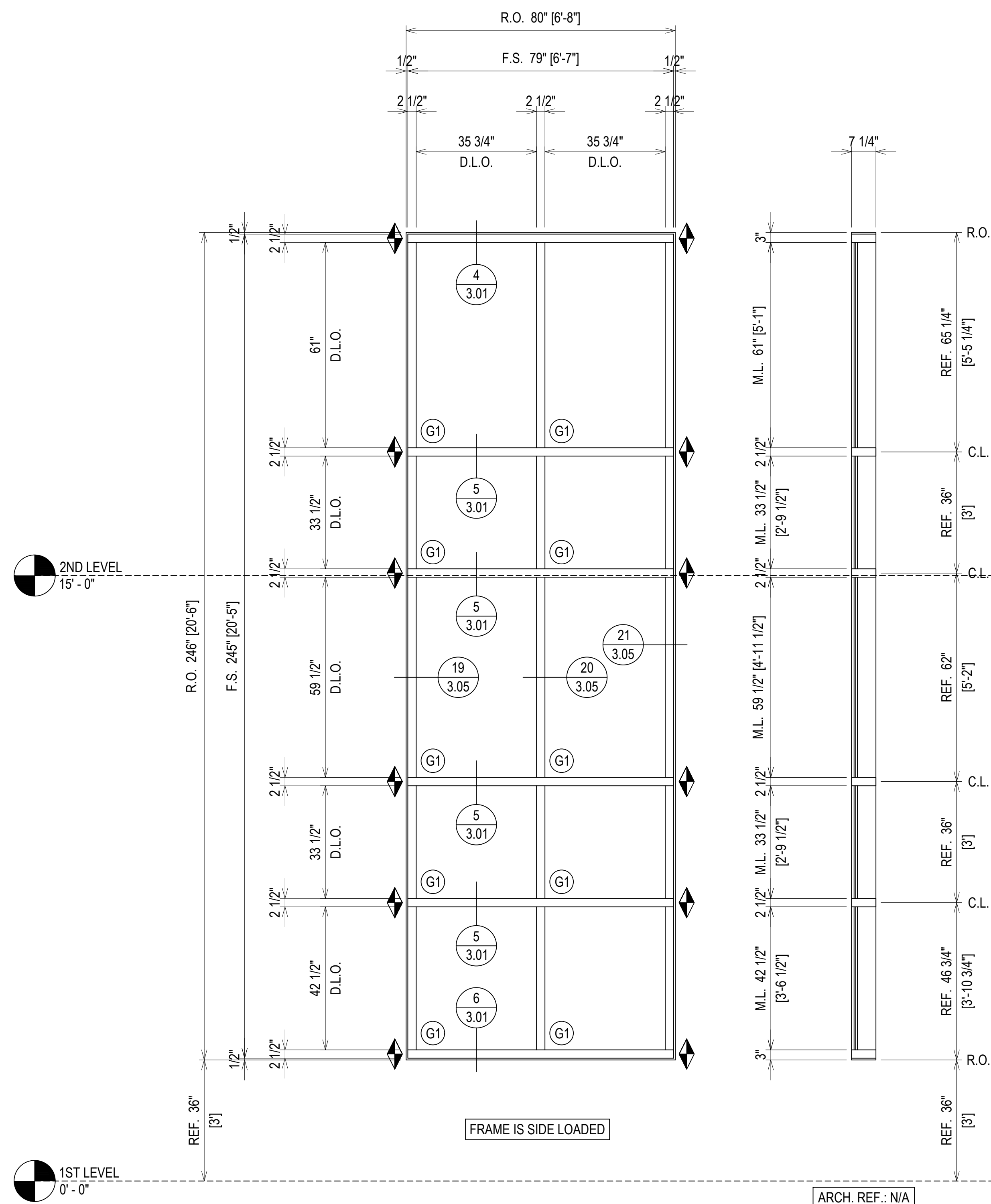
SCALE: 1/2" = 1'-0"
 OLDCASTLE B.E. RELIANCE - 2 1/2" X 7 1/4"
 EXTERIOR CURTAIN WALL
 1" INSULATED GLASS
 QUANTITY: 4

WIND LOAD ANCHOR
 28 3.07 29 3.07 30 3.07

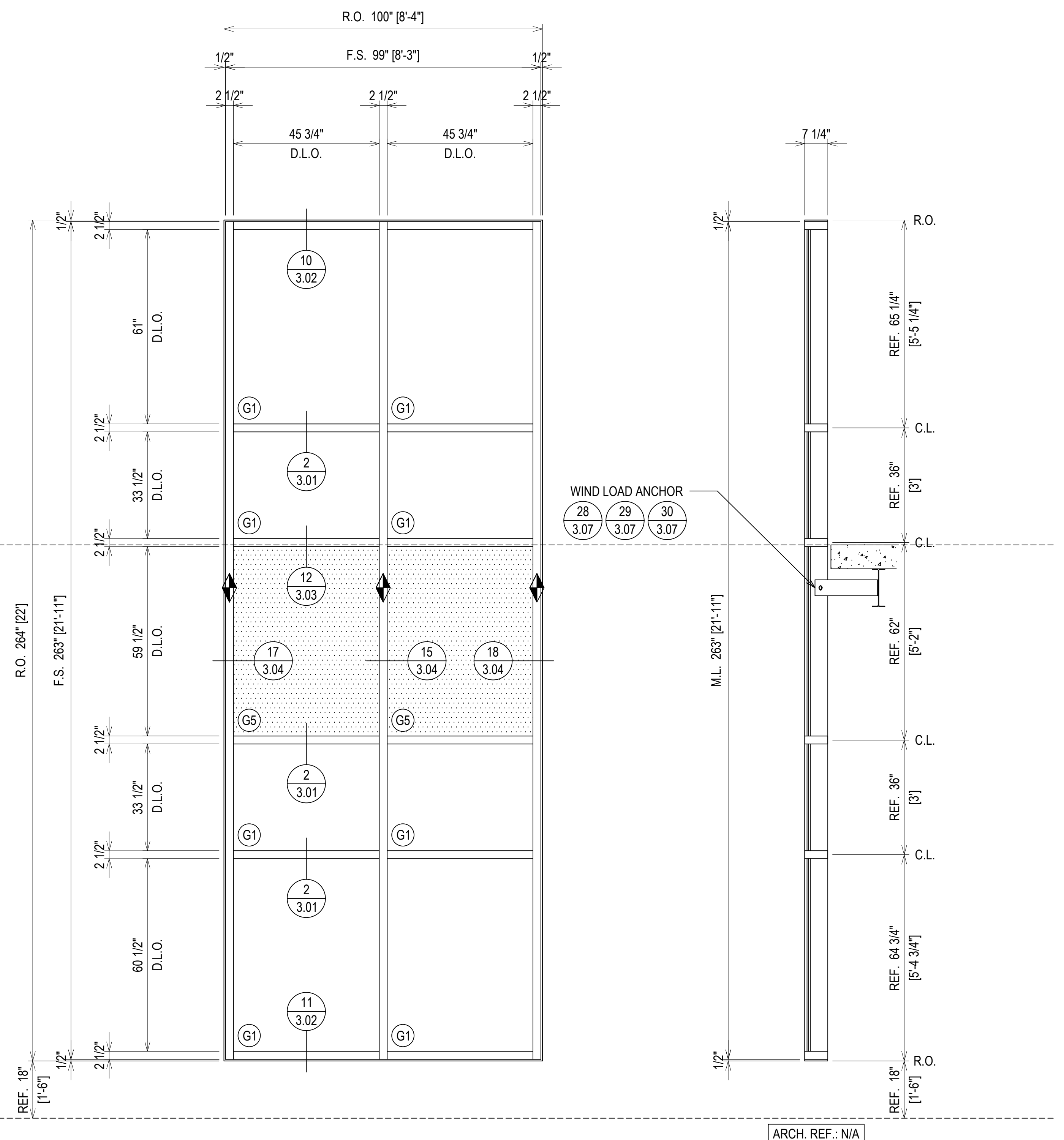
PROJECT:	JUNIOR HIGH SCHOOL 6	1ST SUBMISSION	09.12.19
	LAMAR CISD	1ST REVISION	12.19.19
LOCATION:	7500 KOEBLEN RD	2ND REVISION (ENGINEERING)	4.16.20
	RICHMOND TX, 77469	NO	
		DESCRIPTION	DATE
		DRAWING SUBMISSION	

ERECTOR:
THE THEUT COMPANY
 1317 HWY. 71 WEST
 COLUMBUS, TX 78934
 979.732.2201

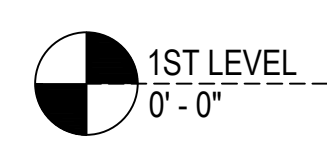
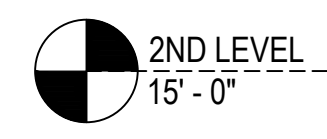
ERECTOR / G.C. NOTE:
 PLEASE FIELD VERIFY ALL DIMENSIONS



ELEVATION W3.1
 SCALE: 1/2" = 1'-0"
 OLDCASTLE B.E. RELIANCE - 2 1/2" X 7 1/4"
 EXTERIOR CURTAIN WALL
 1" INSULATED GLASS
 QUANTITY: 2

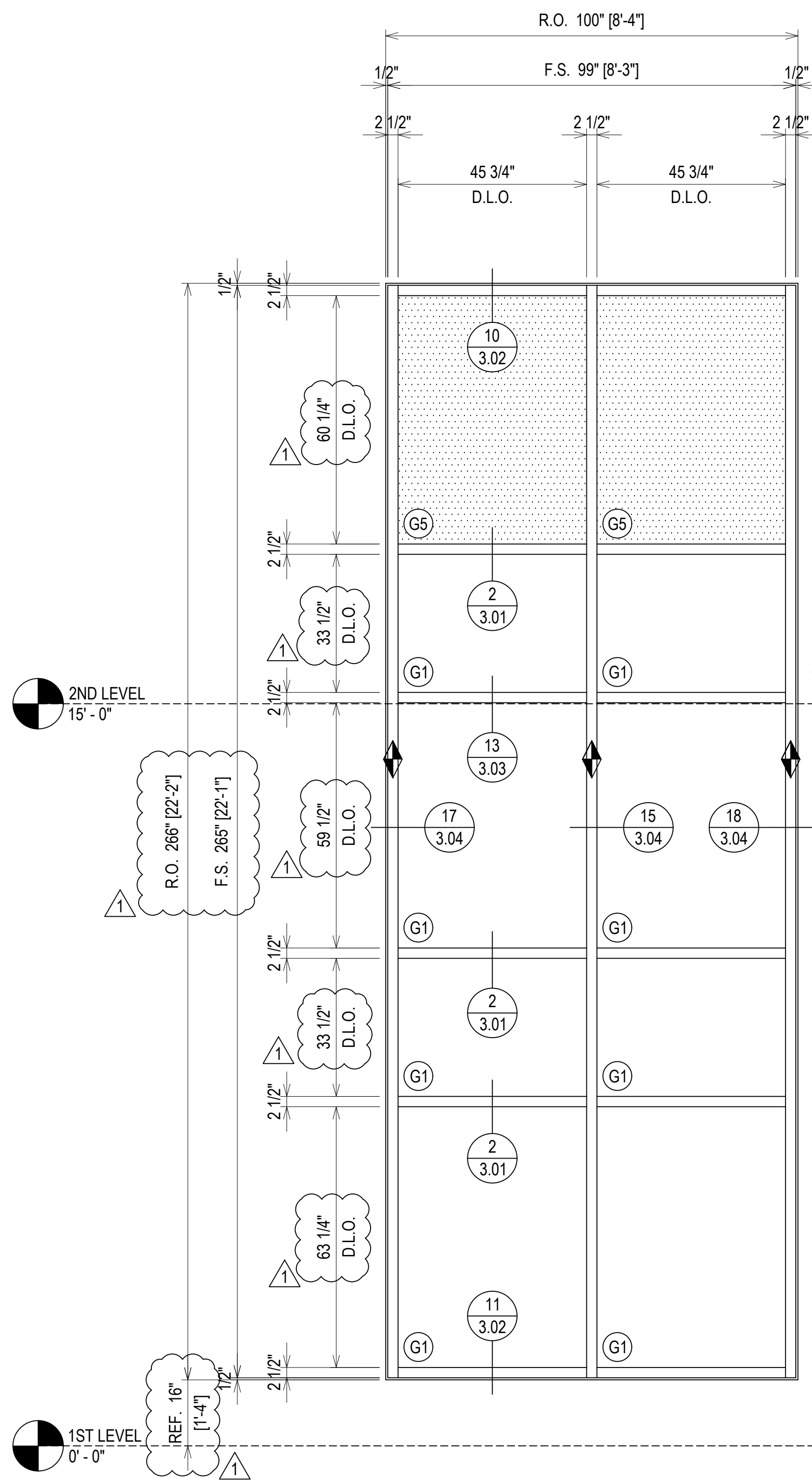


ELEVATION W4
 SCALE: 1/2" = 1'-0"
 OLDCASTLE B.E. RELIANCE - 2 1/2" X 7 1/4"
 EXTERIOR CURTAIN WALL
 1" INSULATED GLASS
 QUANTITY: 2



PROJECT:	JUNIOR HIGH SCHOOL 6	ERECTOR:	THE THEUT COMPANY
	LAMAR CISD		1317 HWY. 71 WEST
			COLUMBUS, TX 78934
			979.732.2201
LOCATION:	7500 KOEBLEN RD		
	RICHMOND TX, 77469		
DRAWN BY:	RA	DATE:	09.12.19
CHECKED BY:	ST	DATE:	09.12.19
1ST SUBMISSION		09.12.19	
1ST REVISION	1	12.19.19	
2ND REVISION (ENGINEERING)	2	4.16.20	
DESCRIPTION	NO		
DRAWING SUBMISSION			

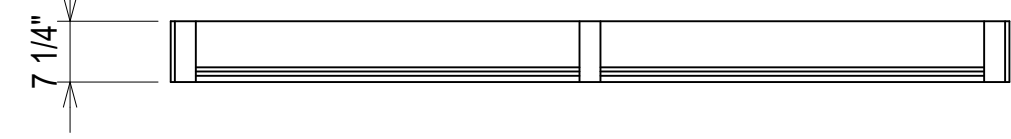
ERECTOR / G.C. NOTE:
 PLEASE FIELD VERIFY ALL DIMENSIONS



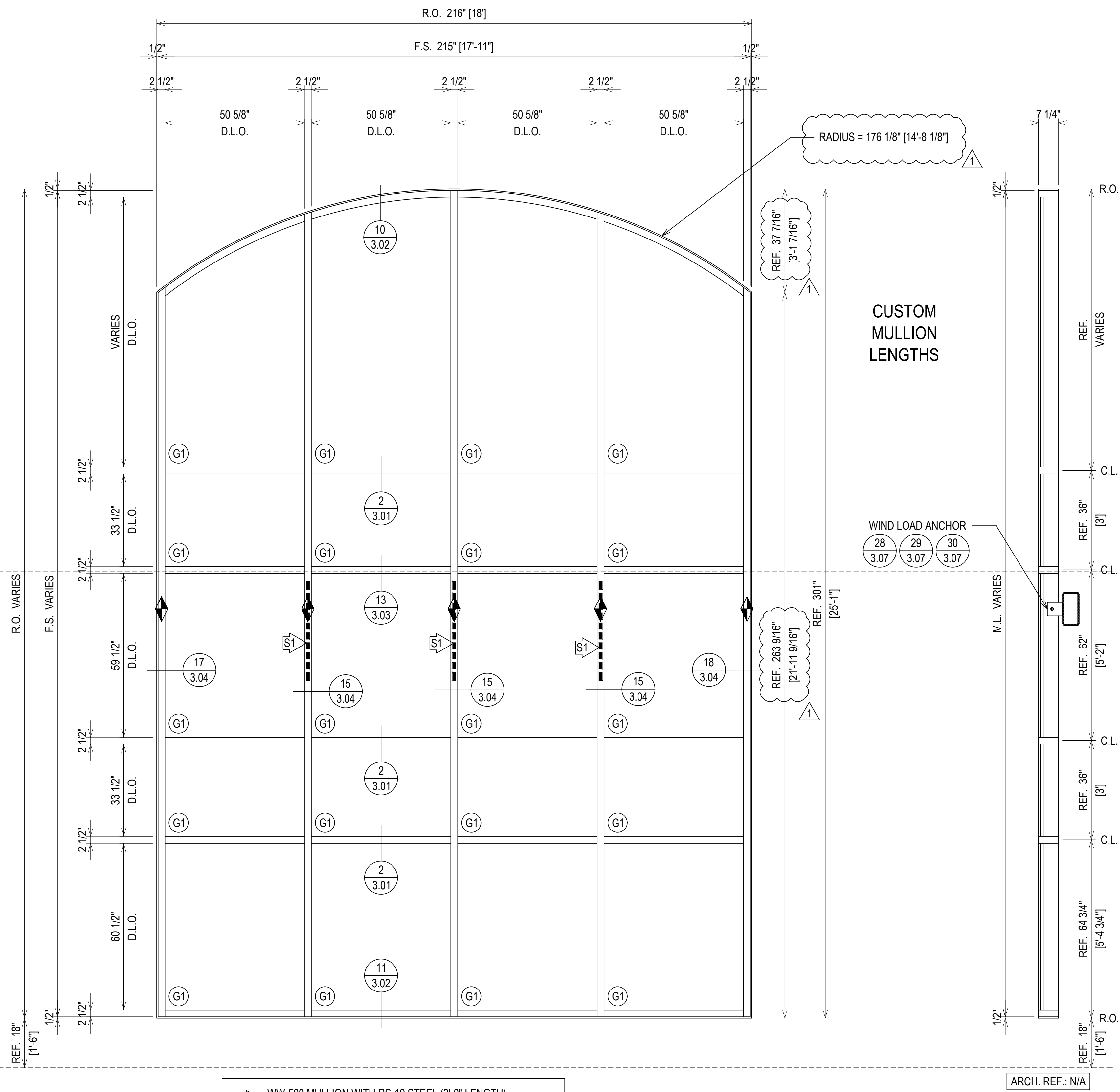
2ND LEVEL
15'-0"

1ST LEVEL
0'-0"

WIND LOAD ANCHOR
28 3.07 29 3.07 30 3.07



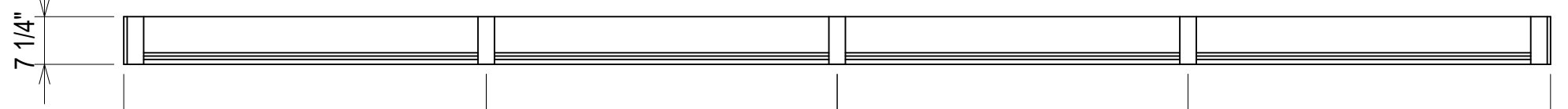
ELEVATION W4.1
SCALE: 1/2" = 1'-0"
OLDCASTLE B.E. RELIANCE - 2 1/2" X 7 1/4"
EXTERIOR CURTAIN WALL
1" INSULATED GLASS
QUANTITY: 3



2ND LEVEL
15'-0"

1ST LEVEL
0'-0"

WIND LOAD ANCHOR
28 3.07 29 3.07 30 3.07



ELEVATION W5
SCALE: 1/2" = 1'-0"
OLDCASTLE B.E. RELIANCE - 2 1/2" X 7 1/4"
EXTERIOR CURTAIN WALL
1" INSULATED GLASS
QUANTITY: 1

WW-500 MULLION WITH RS-19 STEEL (3'-0" LENGTH)
LOCATED 122" - 158" FROM THE BOTTOM OF THE MULLION

ERECTOR / G.C. NOTE:
PLEASE FIELD VERIFY ALL DIMENSIONS

PROJECT:	JUNIOR HIGH SCHOOL 6
LOCATION:	LAMAR CISD 7500 KOEBLEN RD RICHMOND TX, 77469
ERECTOR:	THE THEUT COMPANY 1317 HWY. 71 WEST COLUMBUS, TX 78934 979.732.2201
1ST SUBMISSION	09.12.19
1ST REVISION	12.19.19
2ND REVISION (ENGINEERING)	4.16.20
NO	
DESCRIPTION	DRAWING SUBMISSION
DATE	

09.12.19	1ST SUBMISSION	NO	
12.19.19	1ST REVISION	1	
4.16.20	2ND REVISION (ENGINEERING)	2	
		NO	
			DATE
			DESCRIPTION
			DRAWING SUBMISSION

ERECTOR:
THE THEUT COMPANY
 1317 HWY. 71 WEST
 COLUMBUS, TX 78934
 979.732.2201

PROJECT: JUNIOR HIGH SCHOOL 6
 LAMAR CISD
 LOCATION: 7500 KOEBLEN RD
 RICHMOND TX, 77469

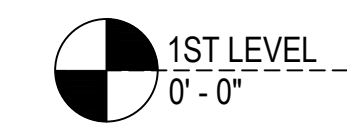
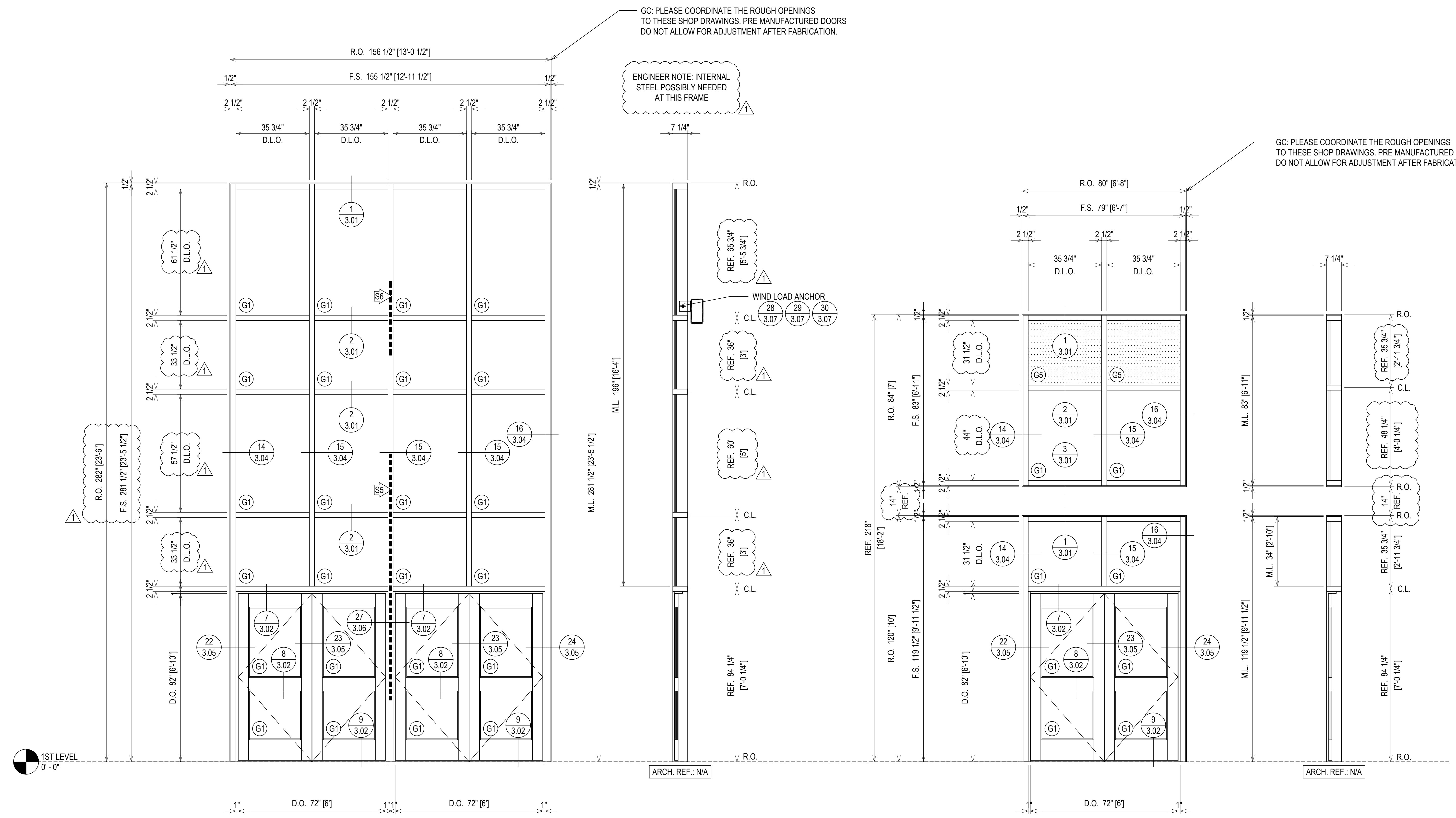
DRAWN BY:	DATE:
RA	09.12.19
CHECKED BY:	DATE:
ST	09.12.19

2.04

GC: PLEASE COORDINATE THE ROUGH OPENINGS TO THESE SHOP DRAWINGS. PRE MANUFACTURED DOORS DO NOT ALLOW FOR ADJUSTMENT AFTER FABRICATION.

ENGINEER NOTE: INTERNAL STEEL POSSIBLY NEEDED AT THIS FRAME

GC: PLEASE COORDINATE THE ROUGH OPENINGS TO THESE SHOP DRAWINGS. PRE MANUFACTURED DOORS DO NOT ALLOW FOR ADJUSTMENT AFTER FABRICATION.



- WW-500 MULLION WITH RS-19/PP-16 NESTED STEEL (10'-0" LENGTH) LOCATED 30" - 150" FROM THE BOTTOM OF THE MULLION
- WW-500 MULLION WITH RS-19 STEEL (3'-0" LENGTH) LOCATED 198" - 234" FROM THE BOTTOM OF THE MULLION

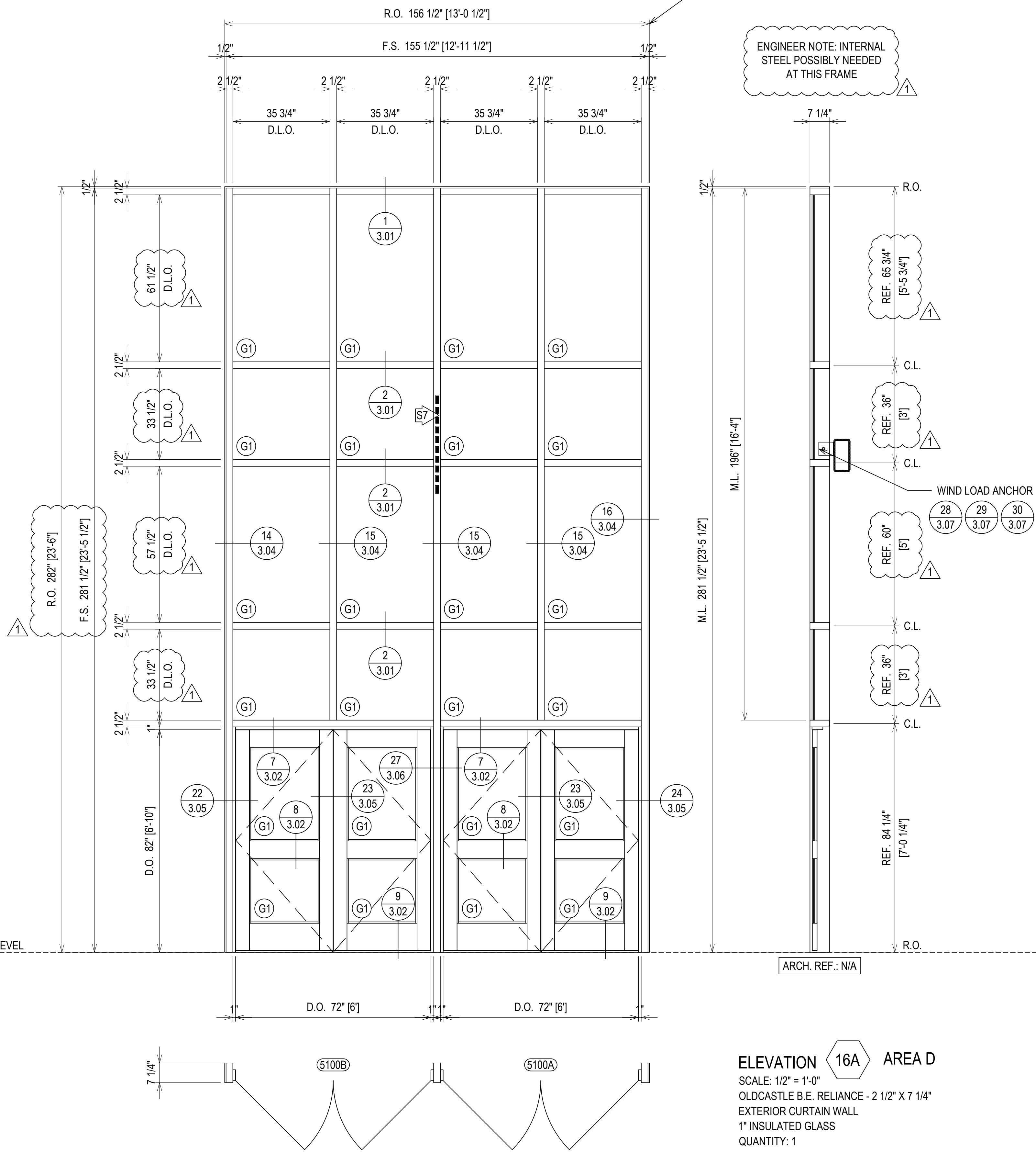
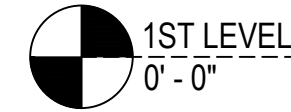
ELEVATION 16 AREA B
 SCALE: 1/2" = 1'-0"
 OLDCASTLE B.E. RELIANCE - 2 1/2" X 7 1/4"
 EXTERIOR CURTAIN WALL
 1" INSULATED GLASS
 QUANTITY: 1

ELEVATION 18
 SCALE: 1/2" = 1'-0"
 OLDCASTLE B.E. RELIANCE - 2 1/2" X 7 1/4"
 EXTERIOR CURTAIN WALL
 1" INSULATED GLASS
 QUANTITY: 2

ERECTOR / G.C. NOTE:
 PLEASE FIELD VERIFY ALL DIMENSIONS

GC: PLEASE COORDINATE THE ROUGH OPENINGS TO THESE SHOP DRAWINGS. PRE MANUFACTURED DOORS DO NOT ALLOW FOR ADJUSTMENT AFTER FABRICATION.

ENGINEER NOTE: INTERNAL STEEL POSSIBLY NEEDED AT THIS FRAME



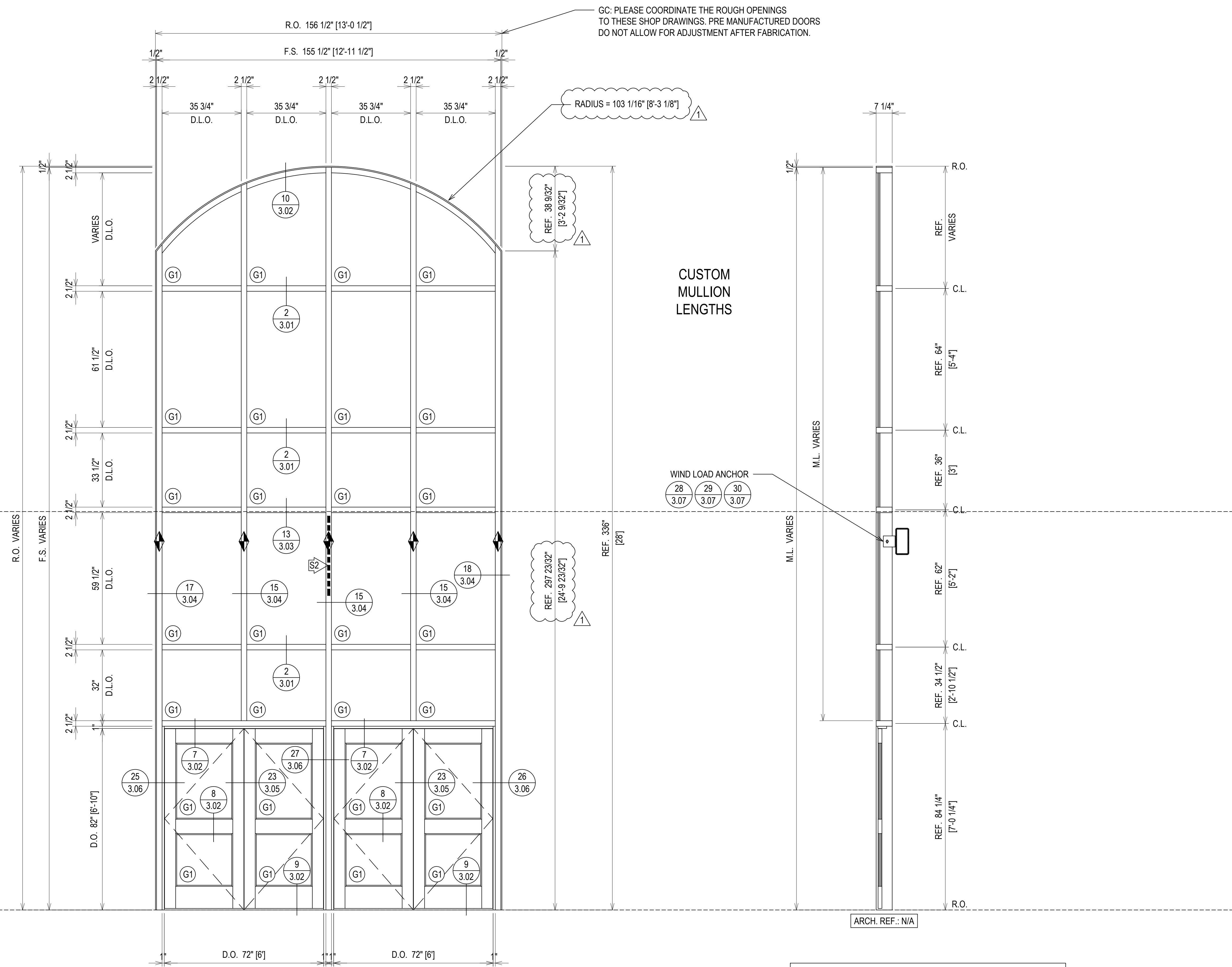
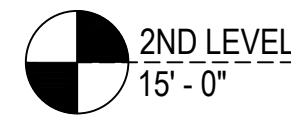
ELEVATION 16A AREA D
 SCALE: 1/2" = 1'-0"
 OLDCASTLE B.E. RELIANCE - 2 1/2" X 7 1/4"
 EXTERIOR CURTAIN WALL
 1" INSULATED GLASS
 QUANTITY: 1

1ST SUBMISSION	09.12.19
1ST REVISION	12.19.19
2ND REVISION (ENGINEERING)	4.16.20
NO	DATE
NO	DESCRIPTION
NO	DRAWING SUBMISSION

ERECTOR:
THE THEUT COMPANY
 1317 HWY. 71 WEST
 COLUMBUS, TX 78934
 979.732.2201

PROJECT: JUNIOR HIGH SCHOOL 6
 LAMAR CISD
 LOCATION: 7500 KOEBLEN RD
 RICHMOND TX, 77469

DRAWN BY: RA	DATE: 09.12.19
CHECKED BY: ST	DATE: 09.12.19



GC: PLEASE COORDINATE THE ROUGH OPENINGS TO THESE SHOP DRAWINGS. PRE MANUFACTURED DOORS DO NOT ALLOW FOR ADJUSTMENT AFTER FABRICATION.

CUSTOM MULLION LENGTHS

RADIUS = 103 1/16" [8'-3 1/8"]

REF. 38 9/32" [3'-2 9/32"]

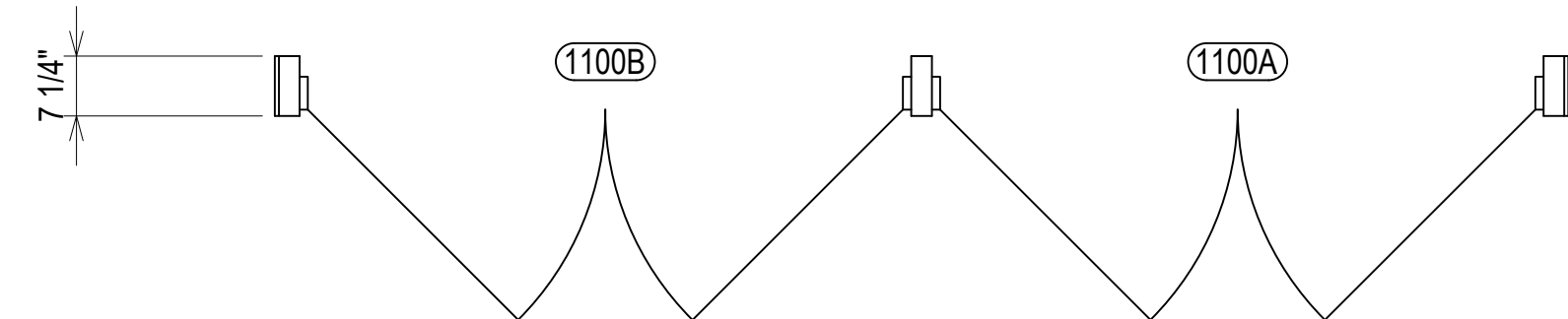
REF. 297 23/32" [24'-9 23/32"]

REF. 336" [28']

WIND LOAD ANCHOR
28 3.07 29 3.07 30 3.07

WIND LOAD ANCHOR

ARCH. REF.: N/A



ELEVATION 22
SCALE: 1/2" = 1'-0"
OLDCASTLE B.E. RELIANCE - 2 1/2" X 7 1/4"
EXTERIOR CURTAIN WALL
1" INSULATED GLASS
QUANTITY: 1

WW-500 MULLION WITH RS-19 STEEL (3'-0" LENGTH)
LOCATED 142" - 178" FROM THE BOTTOM OF THE MULLION

ERECTOR / G.C. NOTE:
PLEASE FIELD VERIFY ALL DIMENSIONS

PROJECT:	JUNIOR HIGH SCHOOL 6	ERECTOR:	THE THEUT COMPANY
LOCATION:	LAMAR CISD 7500 KOEBLEN RD RICHMOND TX, 77469	1317 HWY. 71 WEST COLUMBUS, TX 78934	979.732.2201
DRAWN BY:	RA	DATE:	09.12.19
CHECKED BY:	ST	DATE:	09.12.19
1ST SUBMISSION	09.12.19	1ST REVISION	12.19.19
2ND REVISION (ENGINEERING)	4.16.20	NO	NO
DESCRIPTION	DRAWING SUBMISSION	DATE	

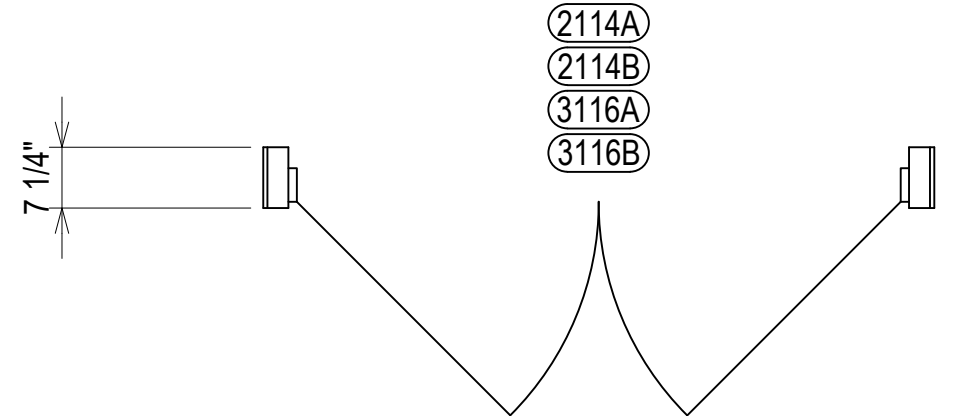
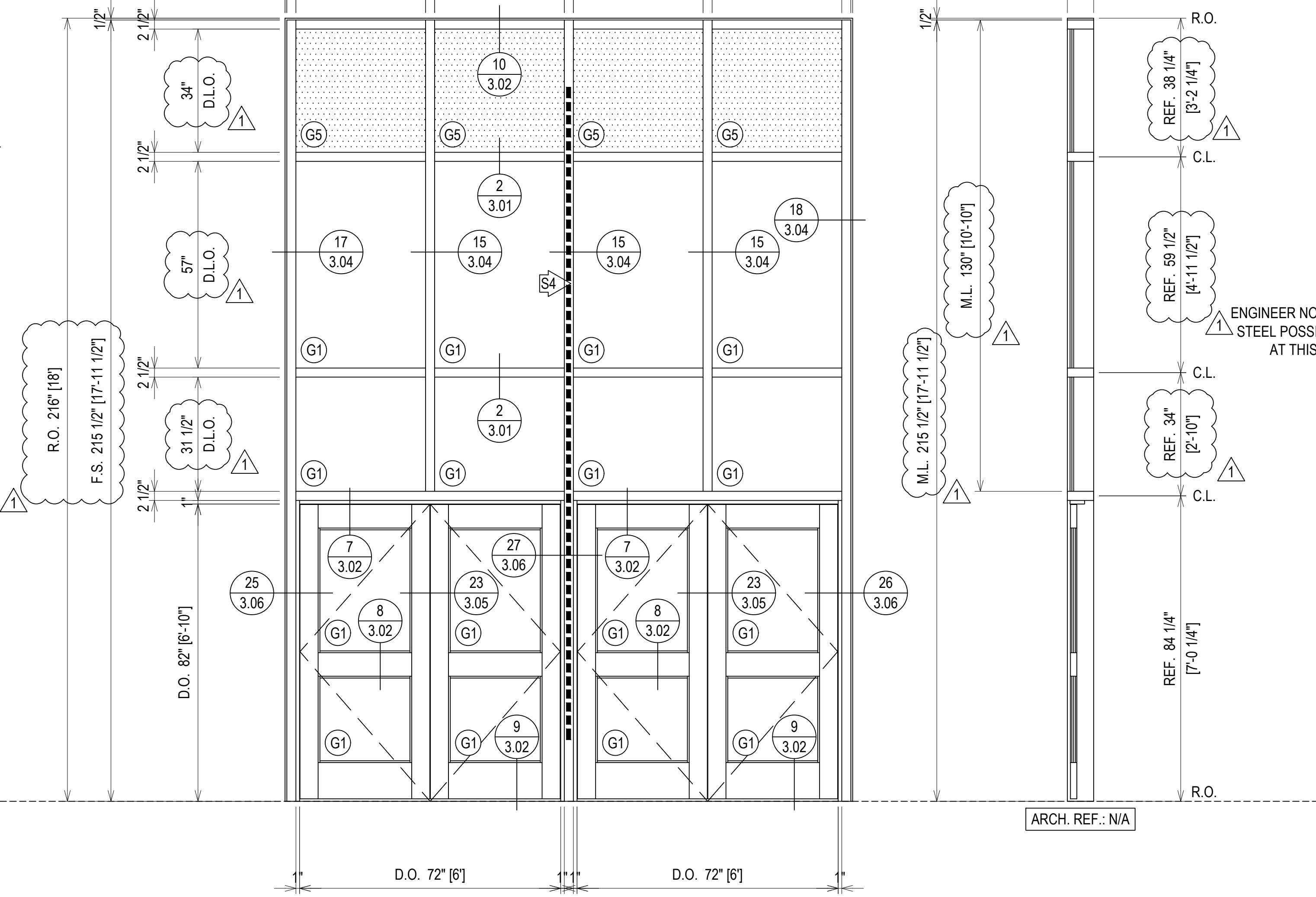
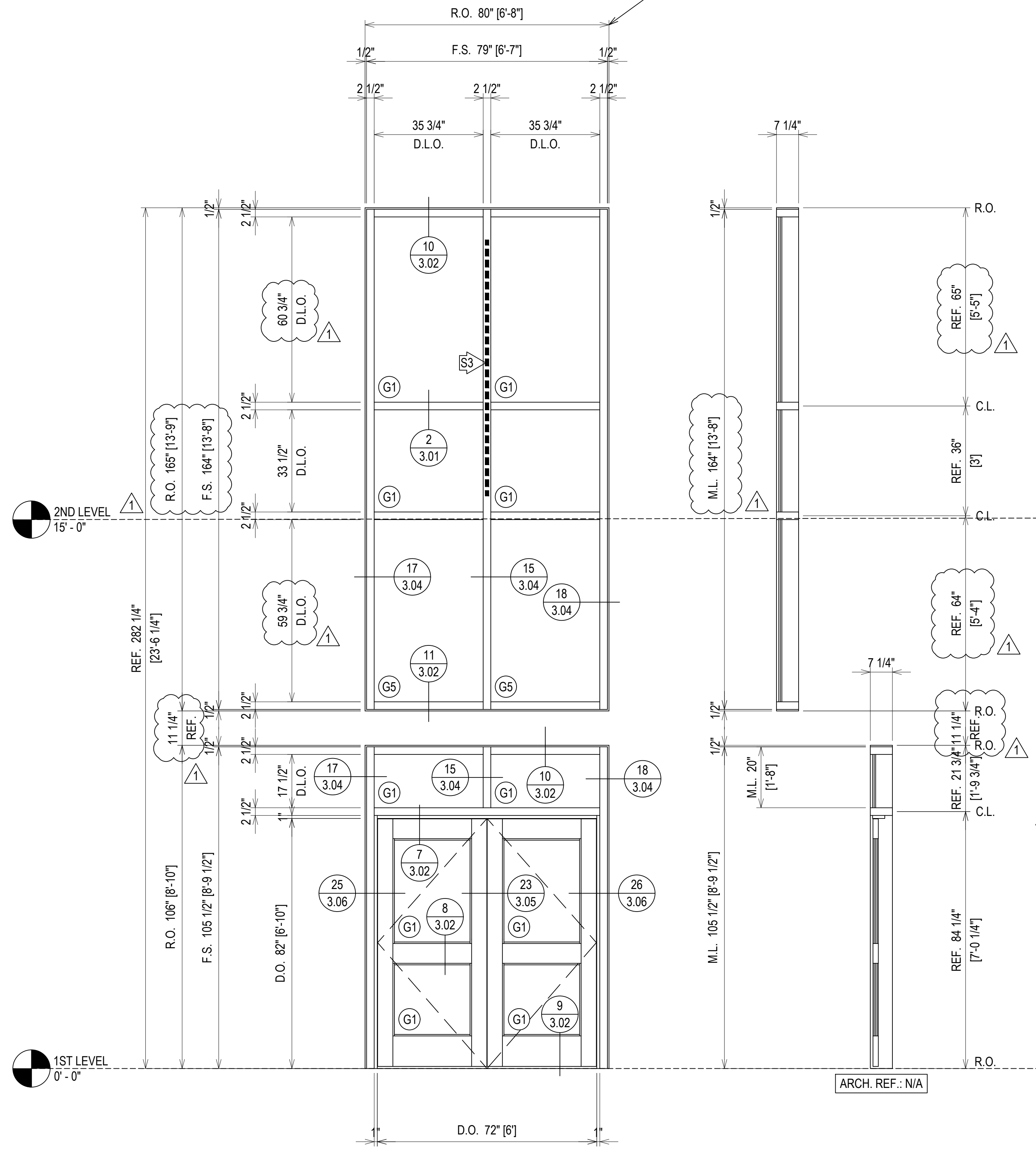
2.05

S3 WW-500 MULLION WITH RS-19 STEEL (7'-0" LENGTH)
LOCATED 70" - 124" FROM THE BOTTOM OF THE MULLION

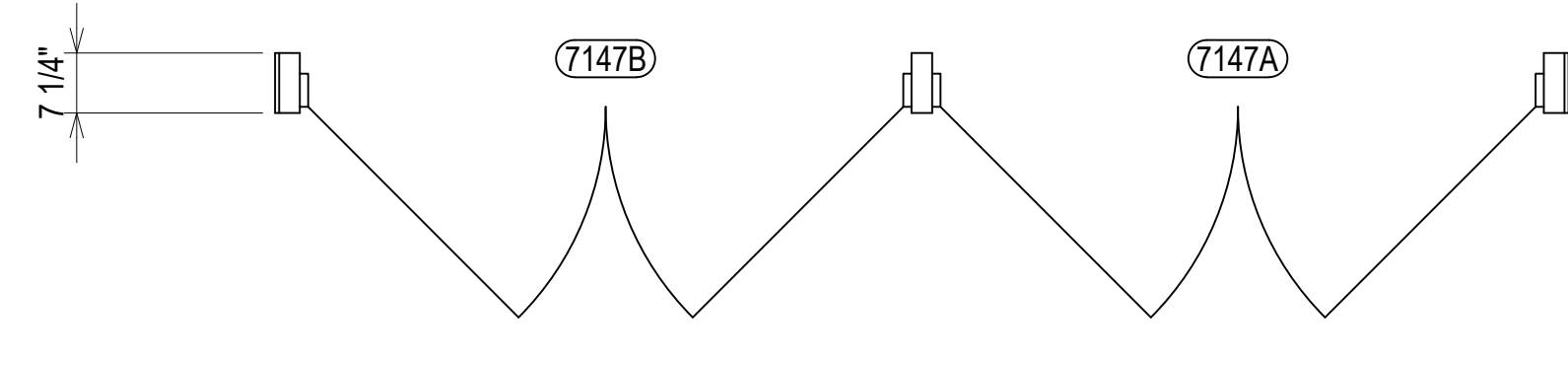
GC: PLEASE COORDINATE THE ROUGH OPENINGS
TO THESE SHOP DRAWINGS. PRE MANUFACTURED DOORS
DO NOT ALLOW FOR ADJUSTMENT AFTER FABRICATION.

S4 WW-500 MULLION WITH RS-19/PP-16 NESTED STEEL (15'-0" LENGTH)
LOCATED 17" - 197" FROM THE BOTTOM OF THE MULLION

GC: PLEASE COORDINATE THE ROUGH OPENINGS
TO THESE SHOP DRAWINGS. PRE MANUFACTURED DOORS
DO NOT ALLOW FOR ADJUSTMENT AFTER FABRICATION.



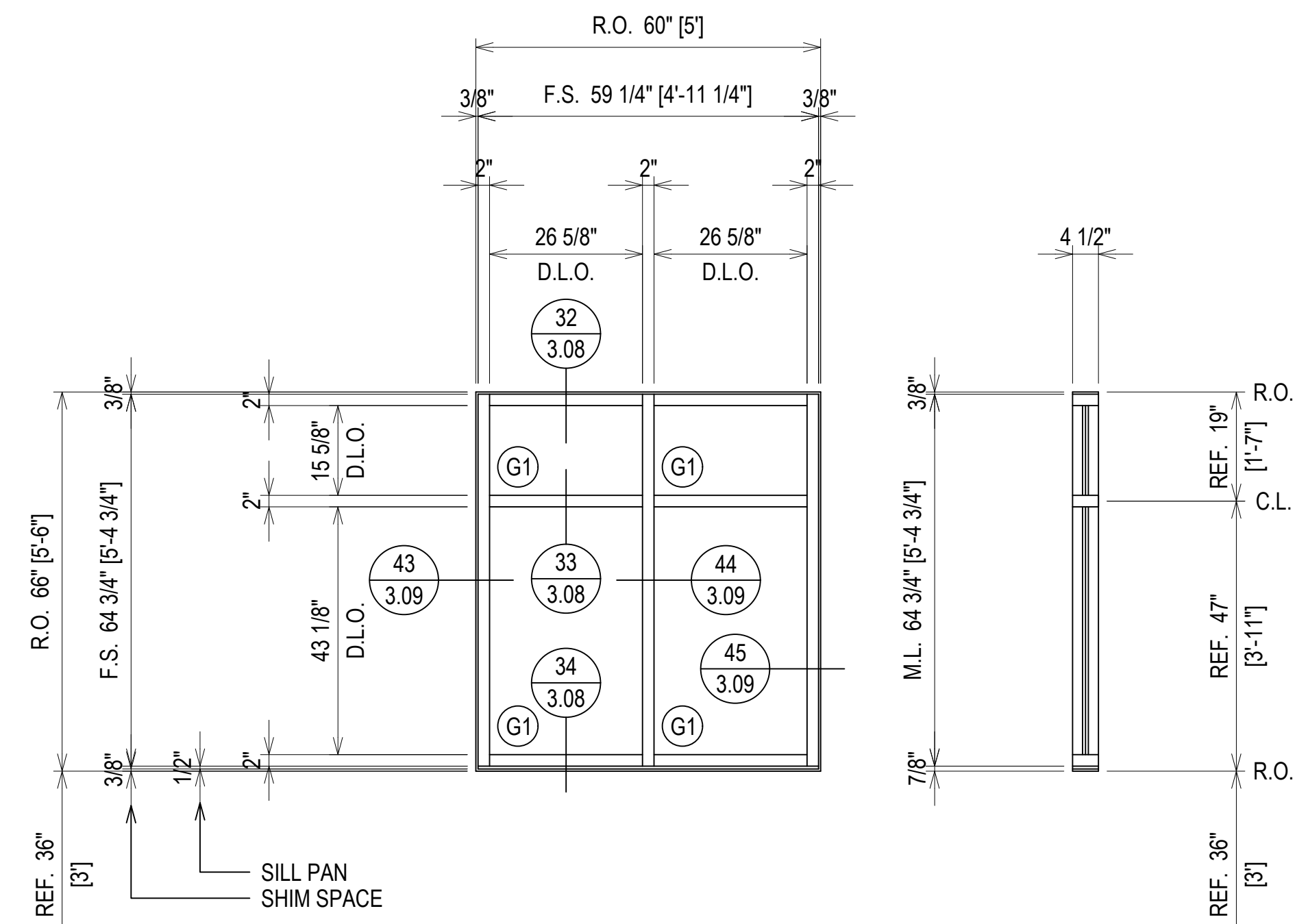
ELEVATION 23
SCALE: 1/2" = 1'-0"
OLDCASTLE B.E. RELIANCE - 2 1/2" X 7 1/4"
EXTERIOR CURTAIN WALL
1" INSULATED GLASS
QUANTITY: 4



ELEVATION 24
SCALE: 1/2" = 1'-0"
OLDCASTLE B.E. RELIANCE - 2 1/2" X 7 1/4"
EXTERIOR CURTAIN WALL
1" INSULATED GLASS
QUANTITY: 1

ERECTOR / G.C. NOTE:
PLEASE FIELD VERIFY ALL DIMENSIONS

PROJECT:	JUNIOR HIGH SCHOOL 6
ERECTOR:	THE THEUT COMPANY 1317 HWY. 71 WEST COLUMBUS, TX 78934 979.732.2201
LOCATION:	7500 KOEBLEN RD RICHMOND TX, 77469
DATE:	09.12.19
DESCRIPTION:	DRAWING SUBMISSION
NO	NO
DATE	DATE
1ST SUBMISSION	09.12.19
1ST REVISION	12.19.19
2ND REVISION (ENGINEERING)	4.16.20



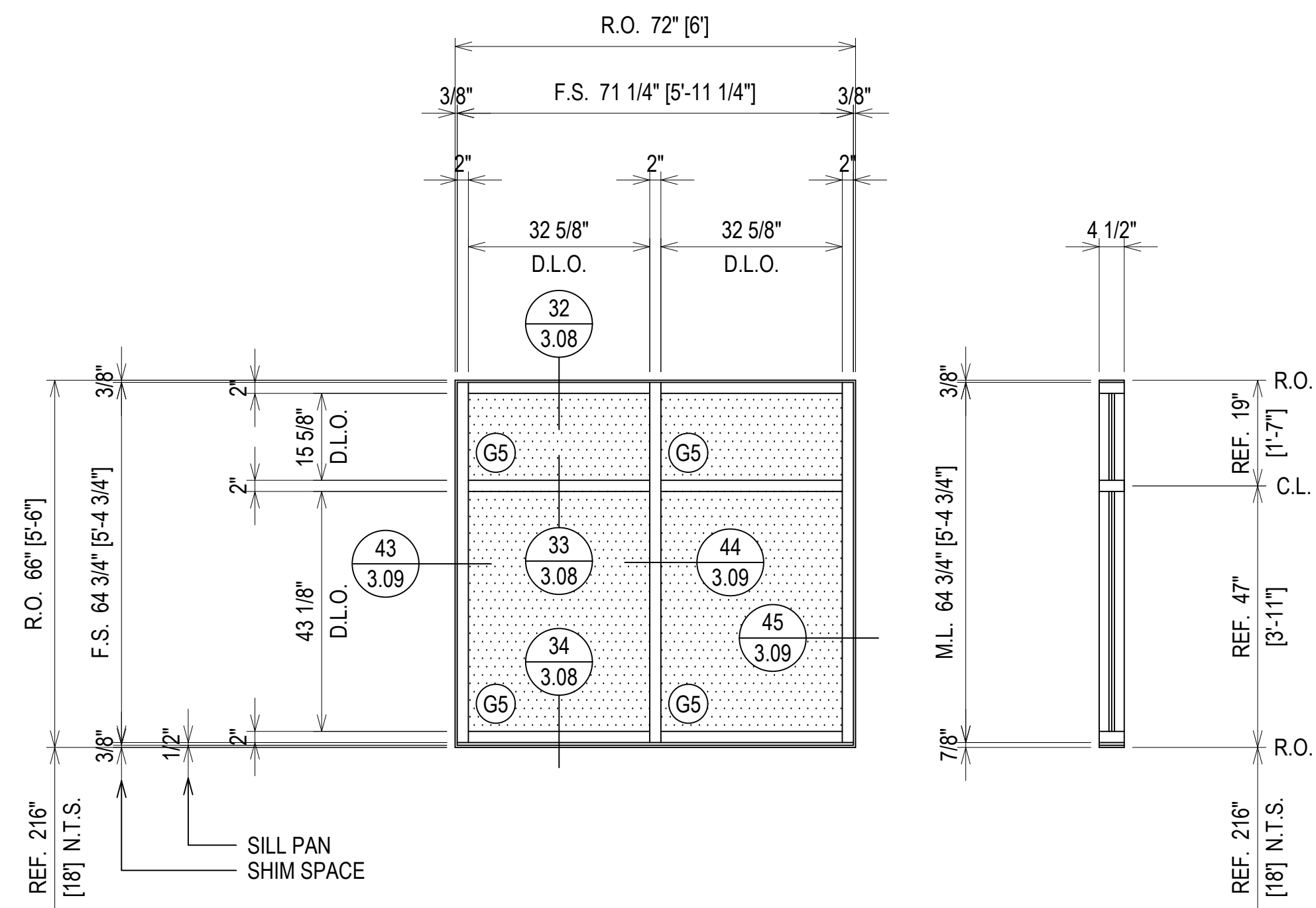
ELEVATION W1.1

SCALE: 1/2" = 1'-0"
 OLDCASTLE B.E. FG-3000T - 2" X 4 1/2"
 EXTERIOR STOREFRONT
 1" INSULATED GLASS (CENTER SET)
 QUANTITY: 106



ELEVATION W1.2

SCALE: 1/2" = 1'-0"
 OLDCASTLE B.E. FG-3000T - 2" X 4 1/2"
 EXTERIOR STOREFRONT
 1" INSULATED GLASS (CENTER SET)
 QUANTITY: 2



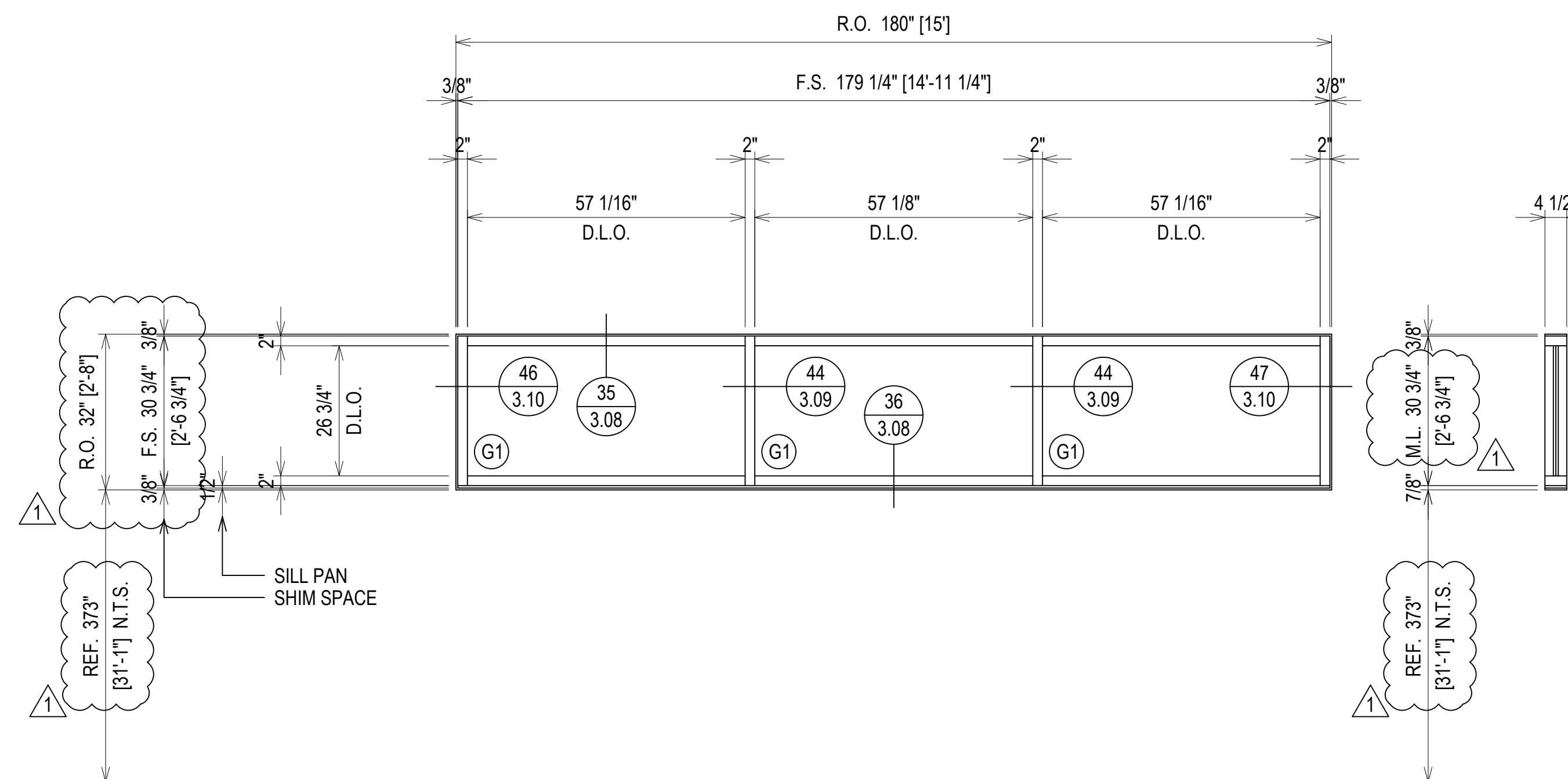
ELEVATION W1.2

SCALE: 1/2" = 1'-0"
 OLDCASTLE B.E. FG-3000T - 2" X 4 1/2"
 EXTERIOR STOREFRONT
 1" INSULATED GLASS (CENTER SET)
 QUANTITY: 4



ELEVATION W7

SCALE: 1/2" = 1'-0"
 OLDCASTLE B.E. FG-3000T - 2" X 4 1/2"
 EXTERIOR STOREFRONT
 1" INSULATED GLASS (CENTER SET)
 QUANTITY: 14



ERECTOR / G.C. NOTE:
 PLEASE FIELD VERIFY ALL DIMENSIONS

ERECTOR:	1ST SUBMISSION	09.12.19
	1ST REVISION	12.19.19
	2ND REVISION (ENGINEERING)	4.16.20
	NO	NO
	DESCRIPTION	DATE
	DRAWING SUBMISSION	

THE THEUT COMPANY
 1317 HWY. 71 WEST
 COLUMBUS, TX 78934
 979.732.2201

PROJECT: JUNIOR HIGH SCHOOL 6
 LAMAR CISD
 LOCATION: 7500 KOEBLEN RD
 RICHMOND TX, 77469

DRAWN BY:	DATE:
RA	09.12.19
CHECKED BY:	DATE:
ST	09.12.19

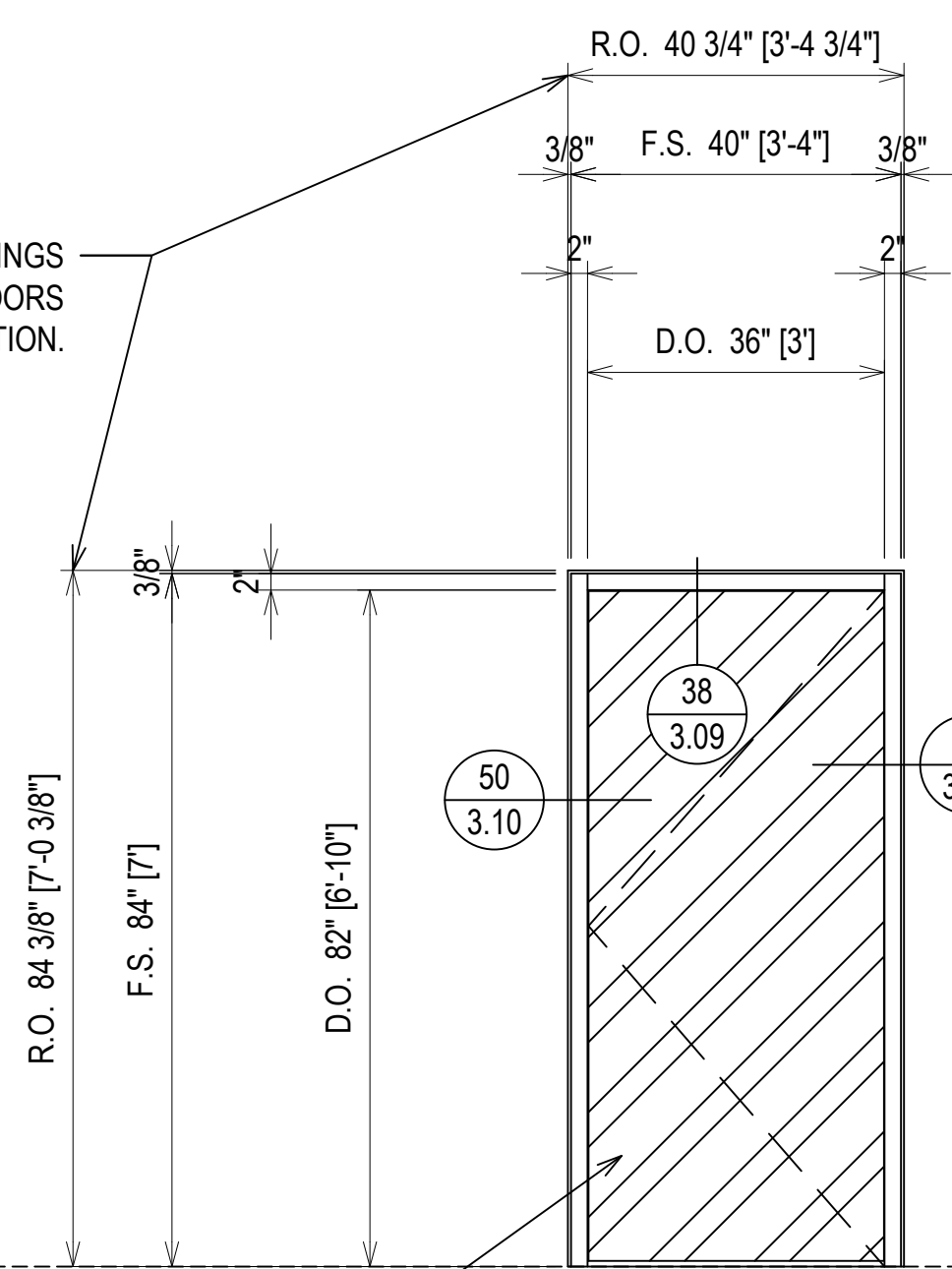
GC: PLEASE COORDINATE THE ROUGH OPENINGS TO THESE SHOP DRAWINGS. PRE MANUFACTURED DOORS DO NOT ALLOW FOR ADJUSTMENT AFTER FABRICATION.

GC: PLEASE COORDINATE THE ROUGH OPENINGS TO THESE SHOP DRAWINGS. PRE MANUFACTURED DOORS DO NOT ALLOW FOR ADJUSTMENT AFTER FABRICATION.

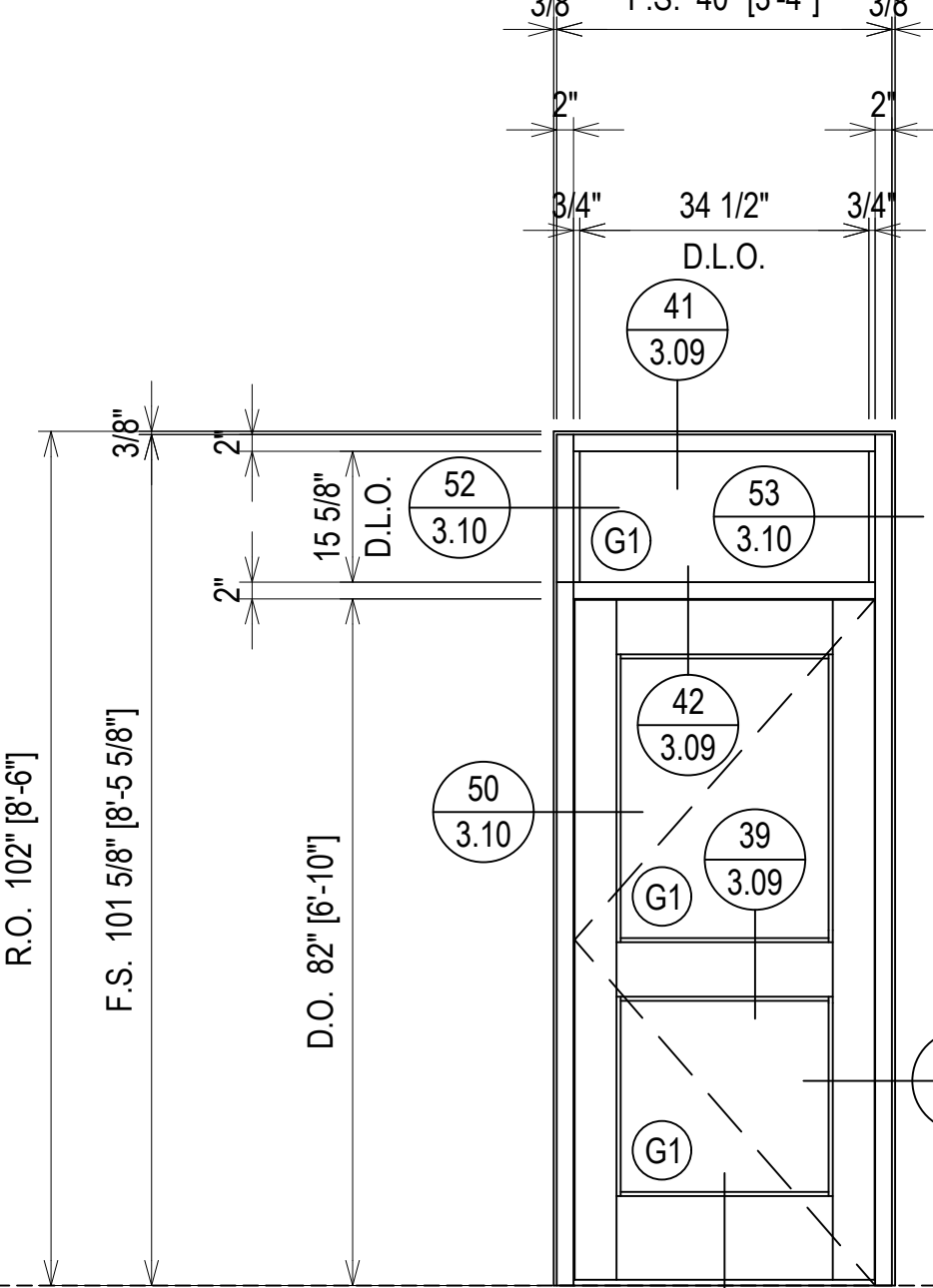
GC: PLEASE COORDINATE THE ROUGH OPENINGS TO THESE SHOP DRAWINGS. PRE MANUFACTURED DOORS DO NOT ALLOW FOR ADJUSTMENT AFTER FABRICATION.



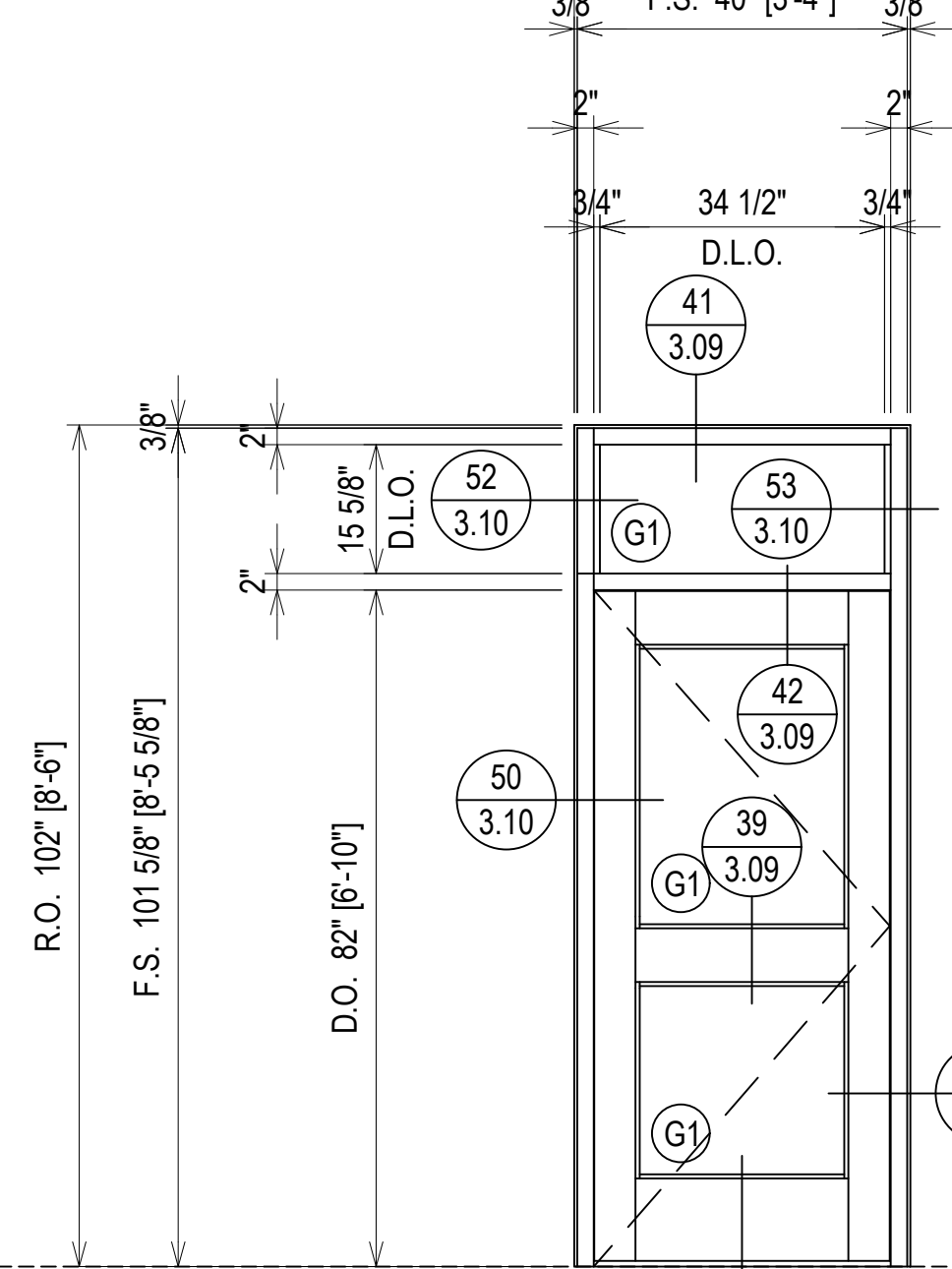
HOLLOW METAL FLUSH EXIT DOOR (N.B.T.)



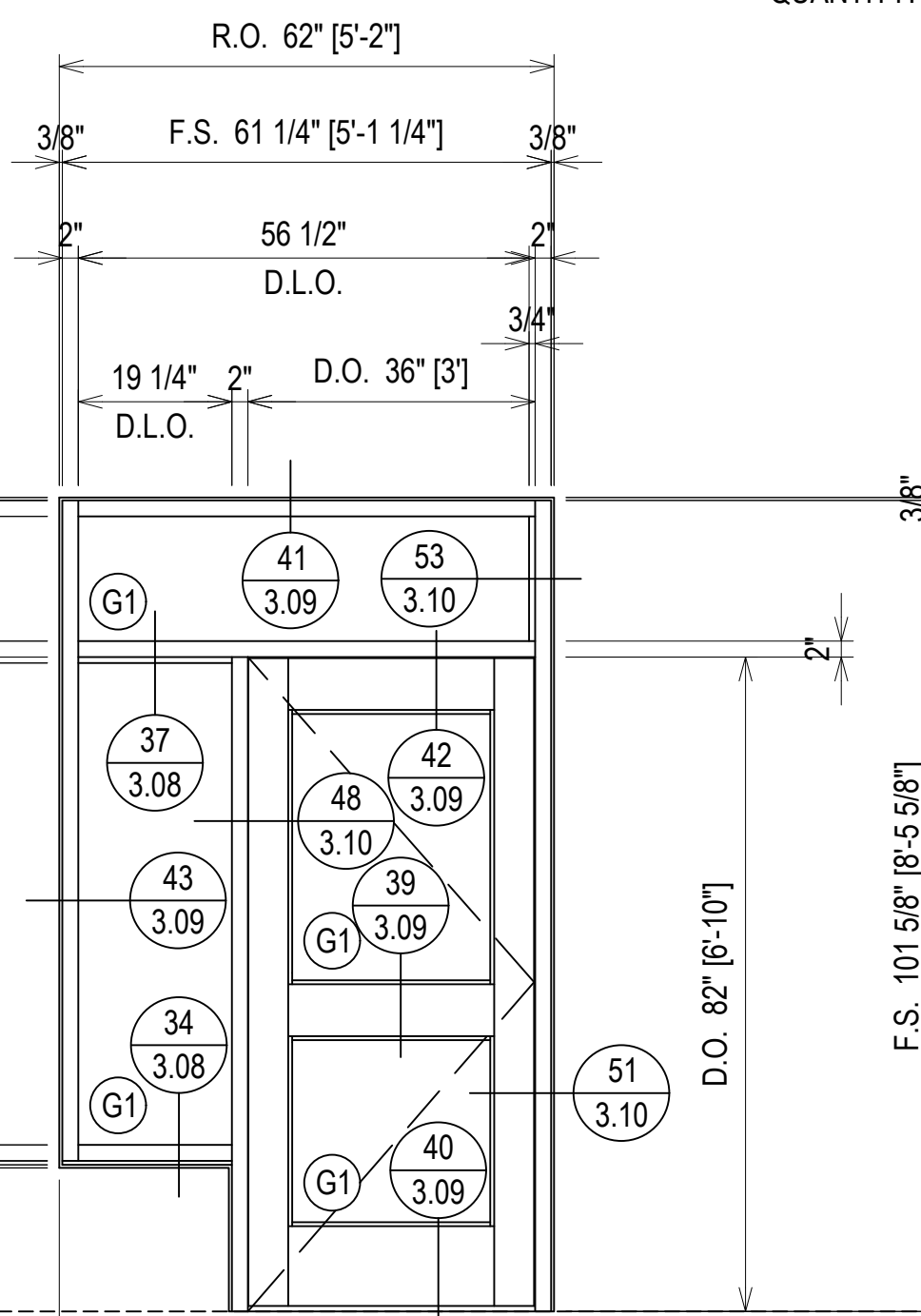
ELEVATION 1
SCALE: 1/2" = 1'-0"
OLDCASTLE B.E. FG-3000 - 2' X 4 1/2'
EXTERIOR STOREFRONT
1" INSULATED GLASS (CENTER SET)
QUANTITY: 1



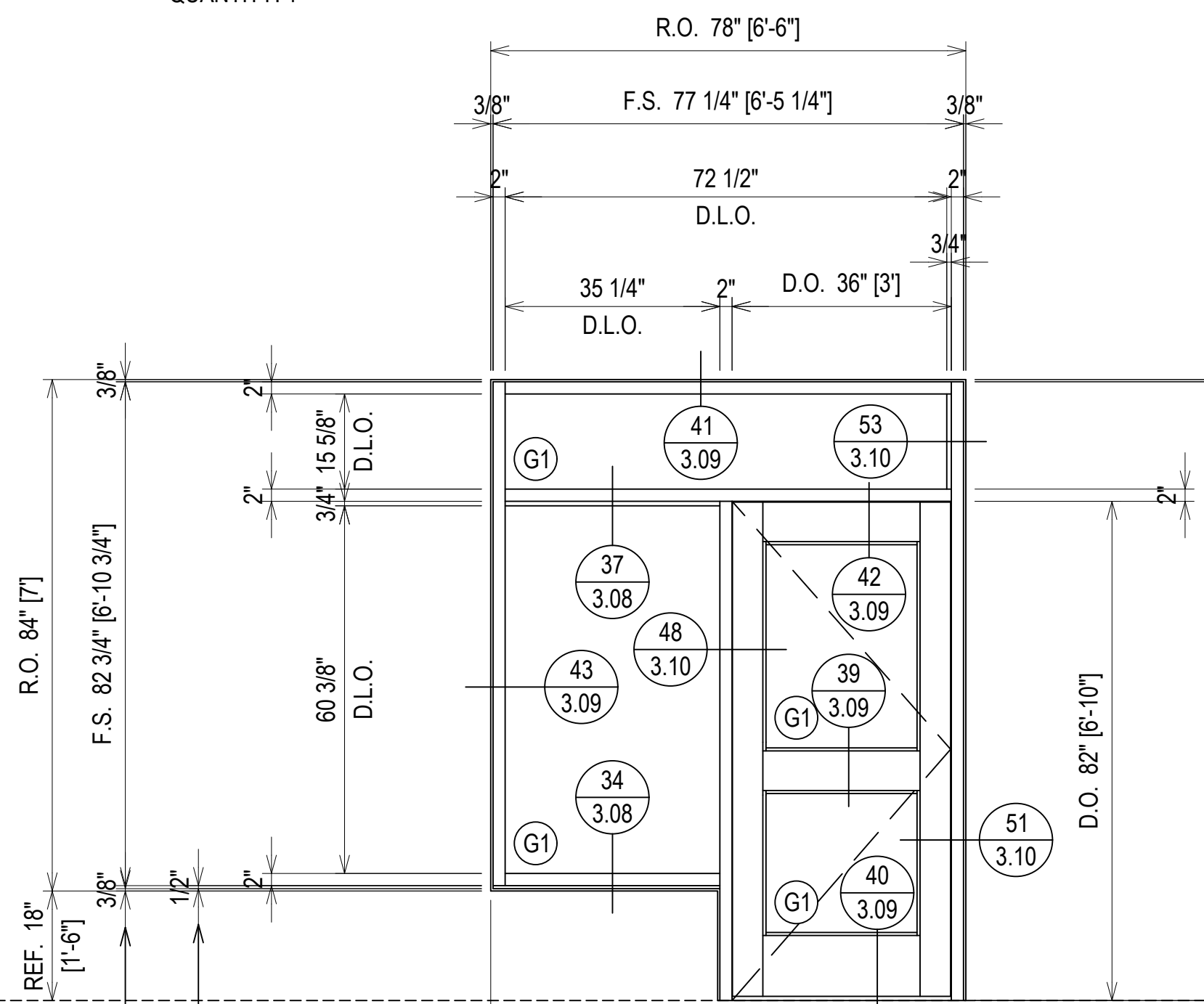
ELEVATION 3
SCALE: 1/2" = 1'-0"
OLDCASTLE B.E. FG-3000T - 2' X 4 1/2'
EXTERIOR STOREFRONT
1" INSULATED GLASS (CENTER SET)
QUANTITY: 1



ELEVATION 3 OPP.
SCALE: 1/2" = 1'-0"
OLDCASTLE B.E. FG-3000T - 2' X 4 1/2'
EXTERIOR STOREFRONT
1" INSULATED GLASS (CENTER SET)
QUANTITY: 1



ELEVATION 9
SCALE: 1/2" = 1'-0"
OLDCASTLE B.E. FG-3000T - 2' X 4 1/2'
EXTERIOR STOREFRONT
1" INSULATED GLASS (CENTER SET)
QUANTITY: 1



ELEVATION 9.1
SCALE: 1/2" = 1'-0"
OLDCASTLE B.E. FG-3000T - 2' X 4 1/2'
EXTERIOR STOREFRONT
1" INSULATED GLASS (CENTER SET)
QUANTITY: 1

GC: PLEASE COORDINATE THE ROUGH OPENINGS TO THESE SHOP DRAWINGS. PRE MANUFACTURED DOORS DO NOT ALLOW FOR ADJUSTMENT AFTER FABRICATION.

GC: PLEASE COORDINATE THE ROUGH OPENINGS TO THESE SHOP DRAWINGS. PRE MANUFACTURED DOORS DO NOT ALLOW FOR ADJUSTMENT AFTER FABRICATION.

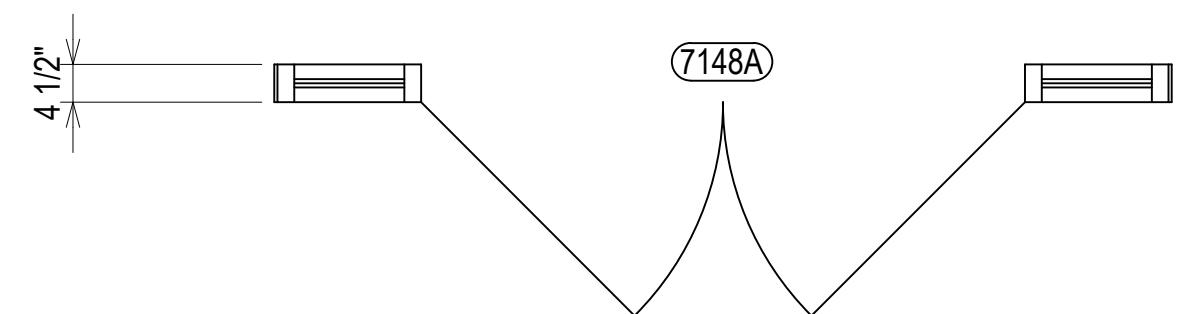
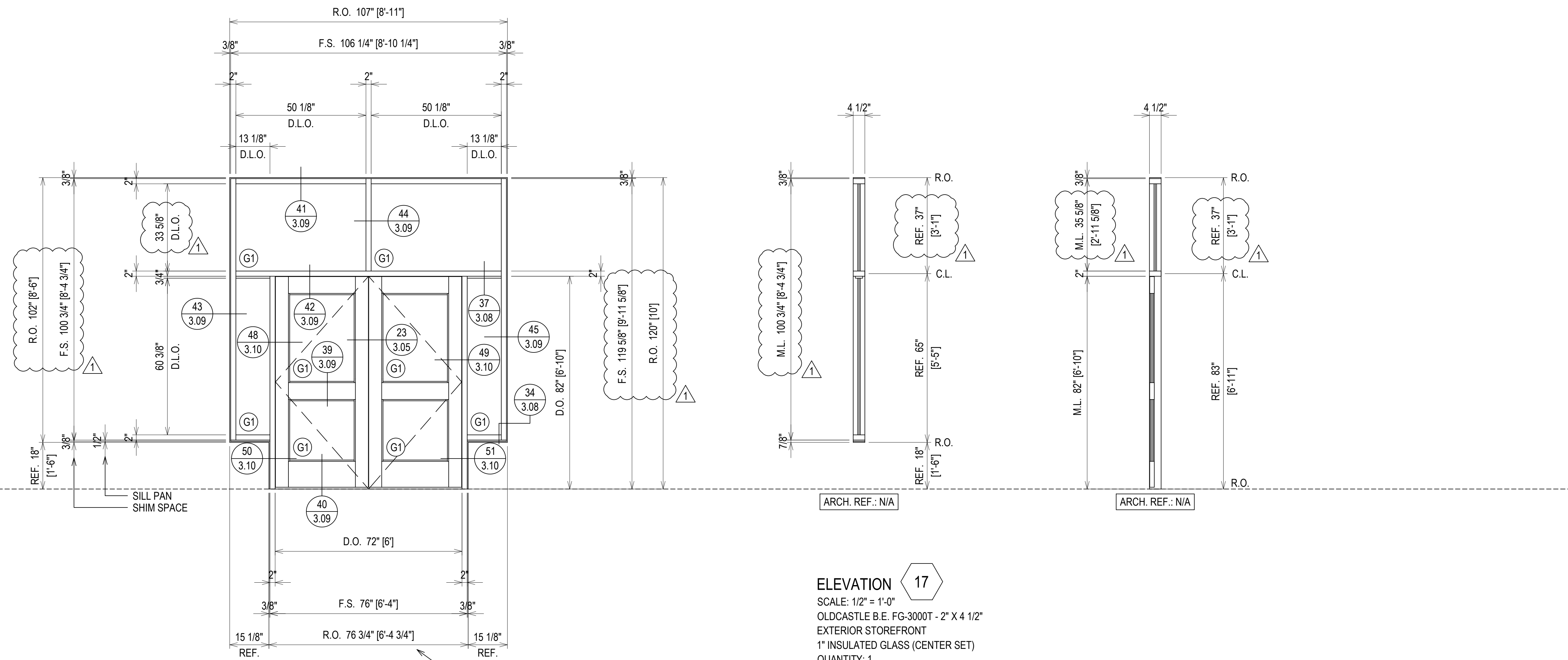
1ST SUBMISSION	09.12.19
1ST REVISION	12.19.19
2ND REVISION (ENGINEERING)	4.16.20
NO	NO
DESCRIPTION	DATE
DRAWING SUBMISSION	

ERECTOR:
THE THEUT COMPANY
1317 HWY. 71 WEST
COLUMBUS, TX 78934
979.732.2201

PROJECT: JUNIOR HIGH SCHOOL 6
LAMAR CISD
LOCATION: 7500 KOEBLEN RD
RICHMOND TX, 77469

DRAWN BY: RA	DATE: 09.12.19
CHECKED BY: ST	DATE: 09.12.19

ERECTOR / G.C. NOTE:
PLEASE FIELD VERIFY ALL DIMENSIONS



GC: PLEASE COORDINATE THE ROUGH OPENINGS TO THESE SHOP DRAWINGS. PRE MANUFACTURED DOORS DO NOT ALLOW FOR ADJUSTMENT AFTER FABRICATION.

ELEVATION 17
 SCALE: 1/2" = 1'-0"
 OLDCASTLE B.E. FG-3000T - 2" X 4 1/2"
 EXTERIOR STOREFRONT
 1" INSULATED GLASS (CENTER SET)
 QUANTITY: 1

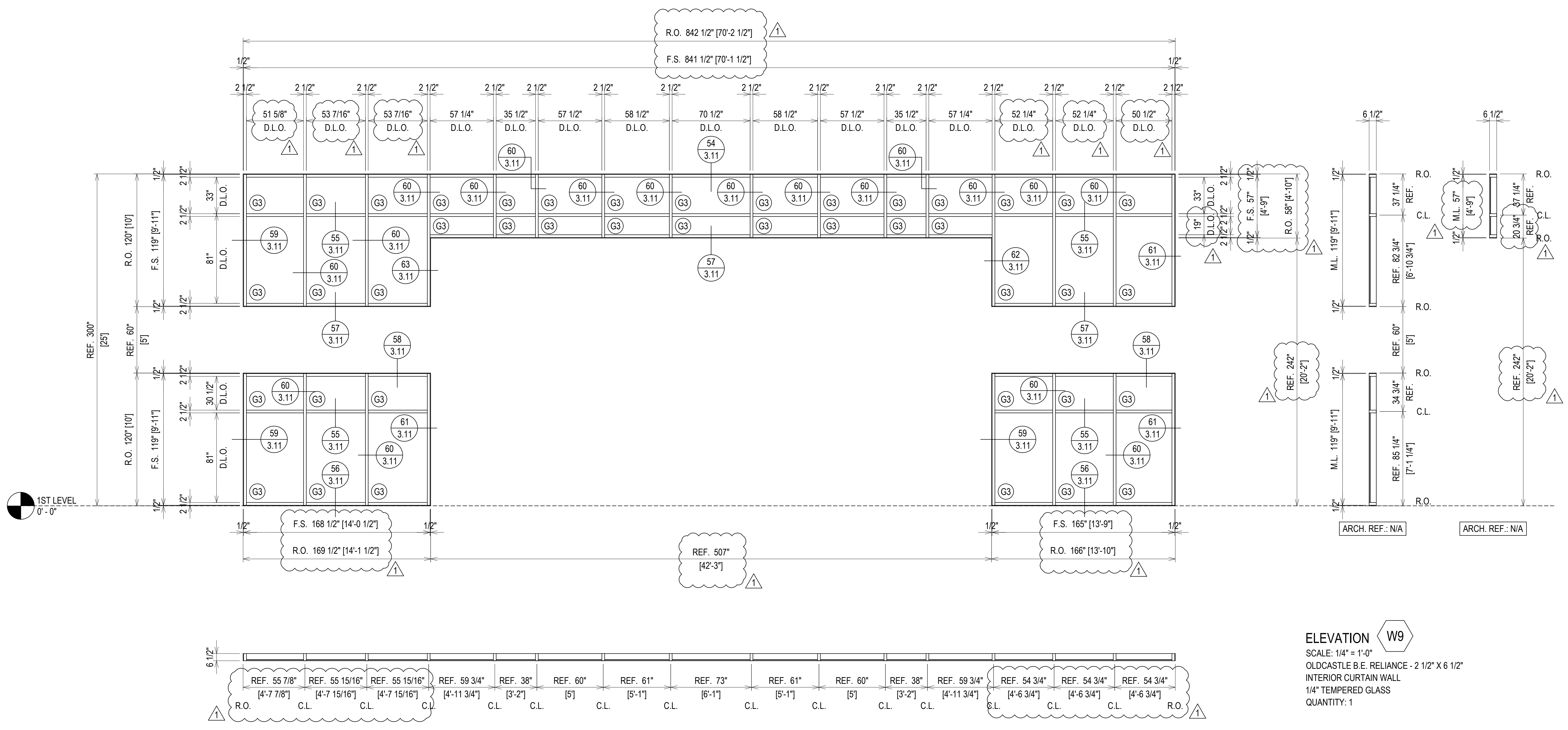
1ST SUBMISSION	09.12.19
1ST REVISION	12.19.19
2ND REVISION (ENGINEERING)	4.16.20
NO	DATE
DRAWING SUBMISSION	

ERECTOR:
THE THEUT COMPANY
 1317 HWY. 71 WEST
 COLUMBUS, TX 78934
 979.732.2201

PROJECT: JUNIOR HIGH SCHOOL 6
 LAMAR CISD
 LOCATION: 7500 KOEBLEN RD
 RICHMOND TX, 77469

DRAWN BY: RA	DATE: 09.12.19
CHECKED BY: ST	DATE: 09.12.19

ERECTOR / G.C. NOTE:
 PLEASE FIELD VERIFY ALL DIMENSIONS



ELEVATION W9
 SCALE: 1/4" = 1'-0"
 OLDCASTLE B.E. RELIANCE - 2 1/2" X 6 1/2"
 INTERIOR CURTAIN WALL
 1/4" TEMPERED GLASS
 QUANTITY: 1

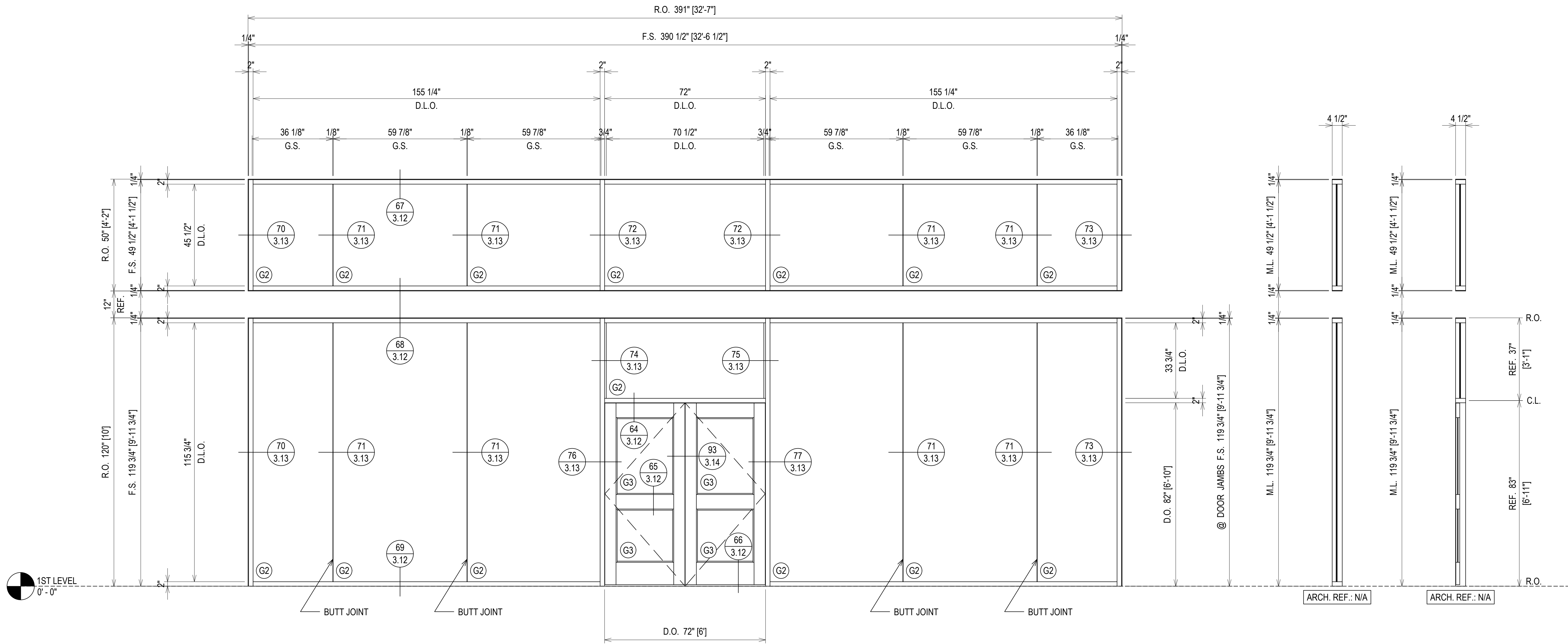
1ST SUBMISSION	09.12.19
1ST REVISION	12.19.19
2ND REVISION (ENGINEERING)	4.16.20
NO	NO
DESCRIPTION	DATE
DRAWING SUBMISSION	

ERECTOR:
THE THEUT COMPANY
 1317 HWY. 71 WEST
 COLUMBUS, TX 78934
 979.732.2201

PROJECT: JUNIOR HIGH SCHOOL 6
 LAMAR CISD
 LOCATION: 7500 KOEBLEN RD
 RICHMOND TX, 77469

DRAWN BY: RA	DATE: 09.12.19
CHECKED BY: ST	DATE: 09.12.19

ERECTOR / G.C. NOTE:
 PLEASE FIELD VERIFY ALL DIMENSIONS

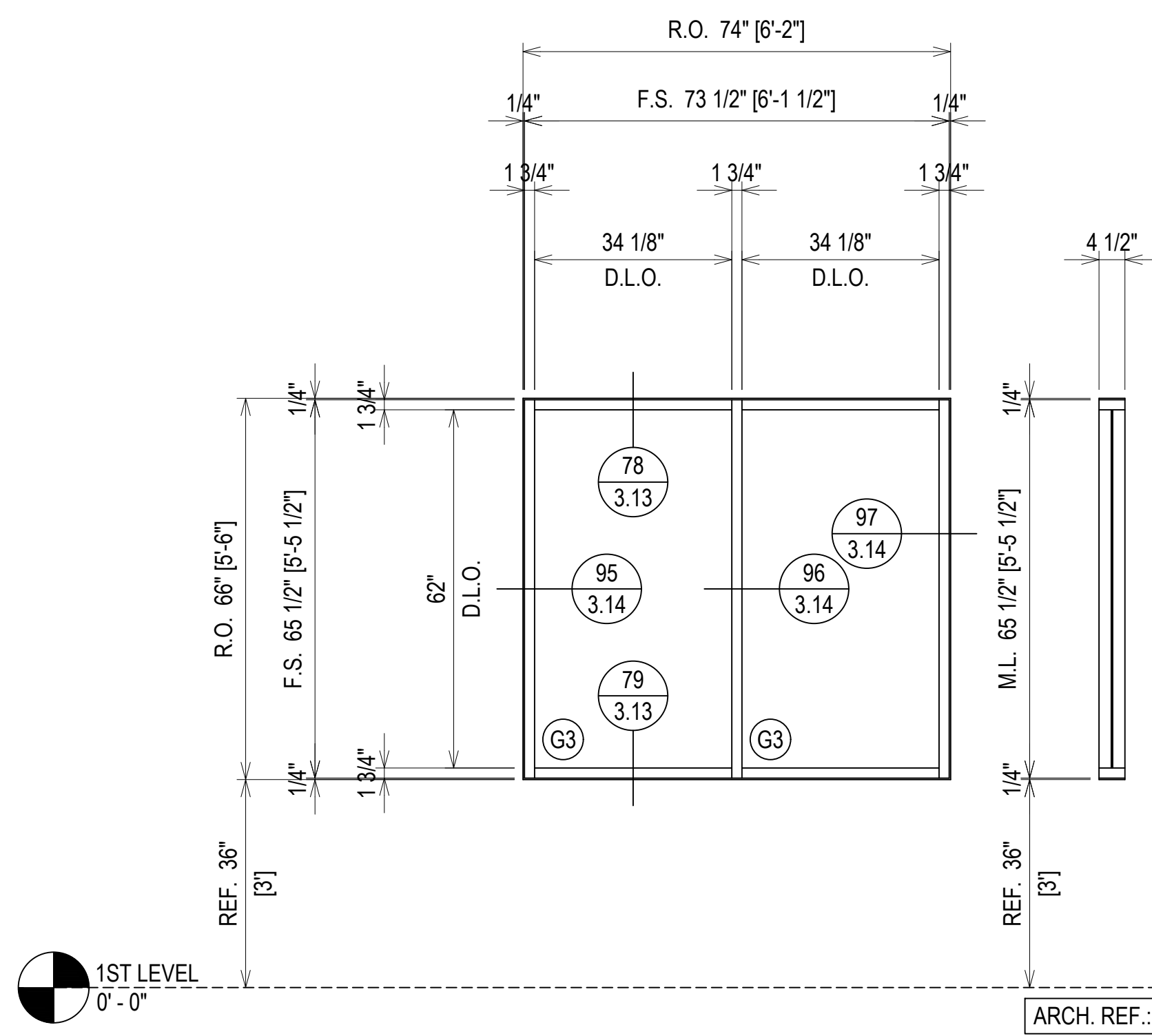


ELEVATION 21
 SCALE: 1/2" = 1'-0"
 OLDCASTLE B.E. FG-3000 - 2" X 4 1/2"
 INTERIOR STOREFRONT
 1/2" TEMPERED GLASS (CENTER SET)
 QUANTITY: 1

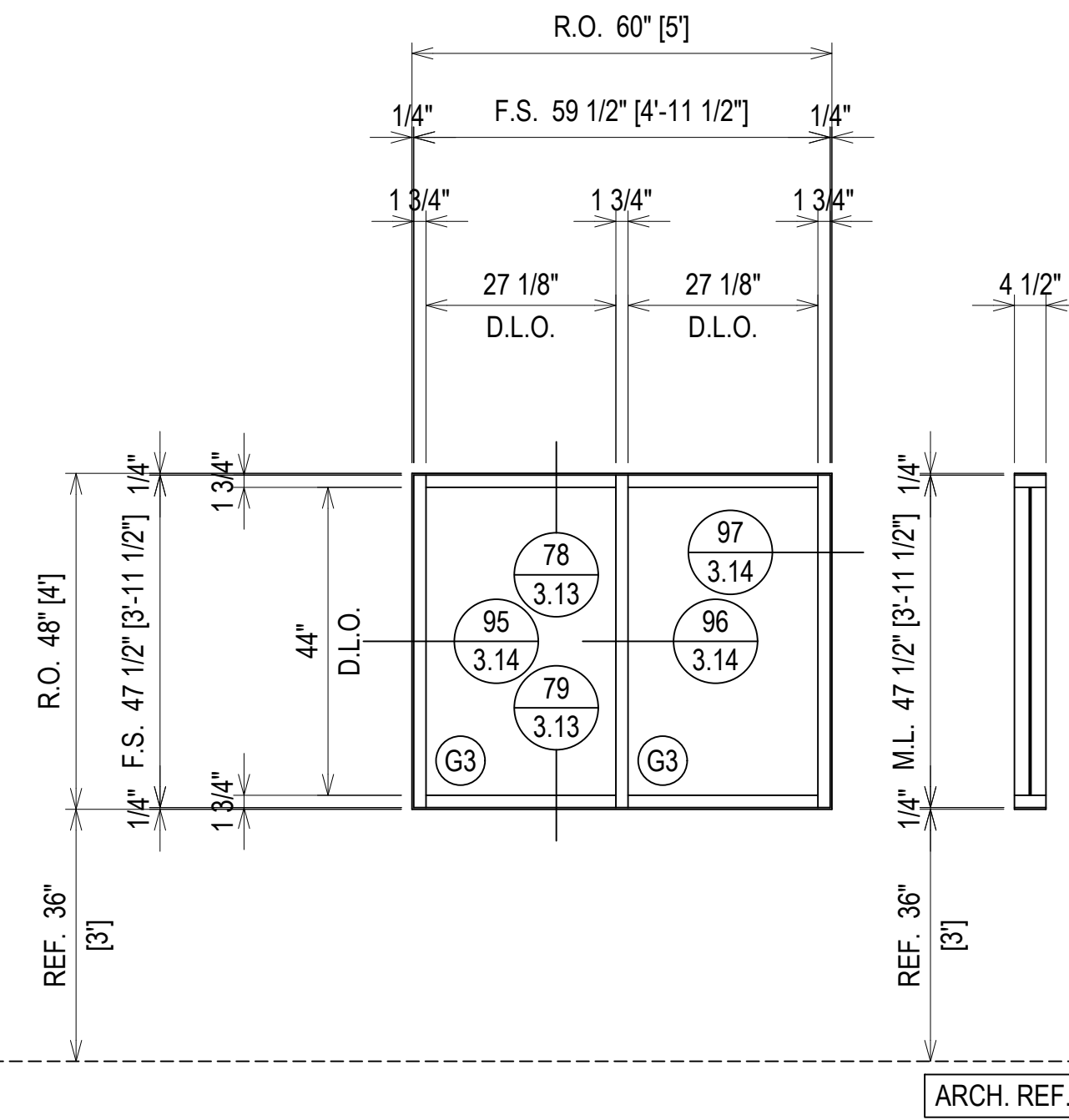
ERECTOR / G.C. NOTE:
 PLEASE FIELD VERIFY ALL DIMENSIONS

PROJECT:	JUNIOR HIGH SCHOOL 6	ERECTOR:	THE THEUT COMPANY
	LAMAR CISD		1317 HWY. 71 WEST
			COLUMBUS, TX 78934
			979.732.2201
LOCATION:	7500 KOEBLEN RD		
	RICHMOND TX, 77469		
DRAWN BY:	RA	DATE:	09.12.19
CHECKED BY:	ST	DATE:	09.12.19
1ST SUBMISSION		1ST REVISION	12.19.19
		2ND REVISION (ENGINEERING)	4.16.20
		DESCRIPTION	
		NO	
		DATE	
		DRAWING SUBMISSION	

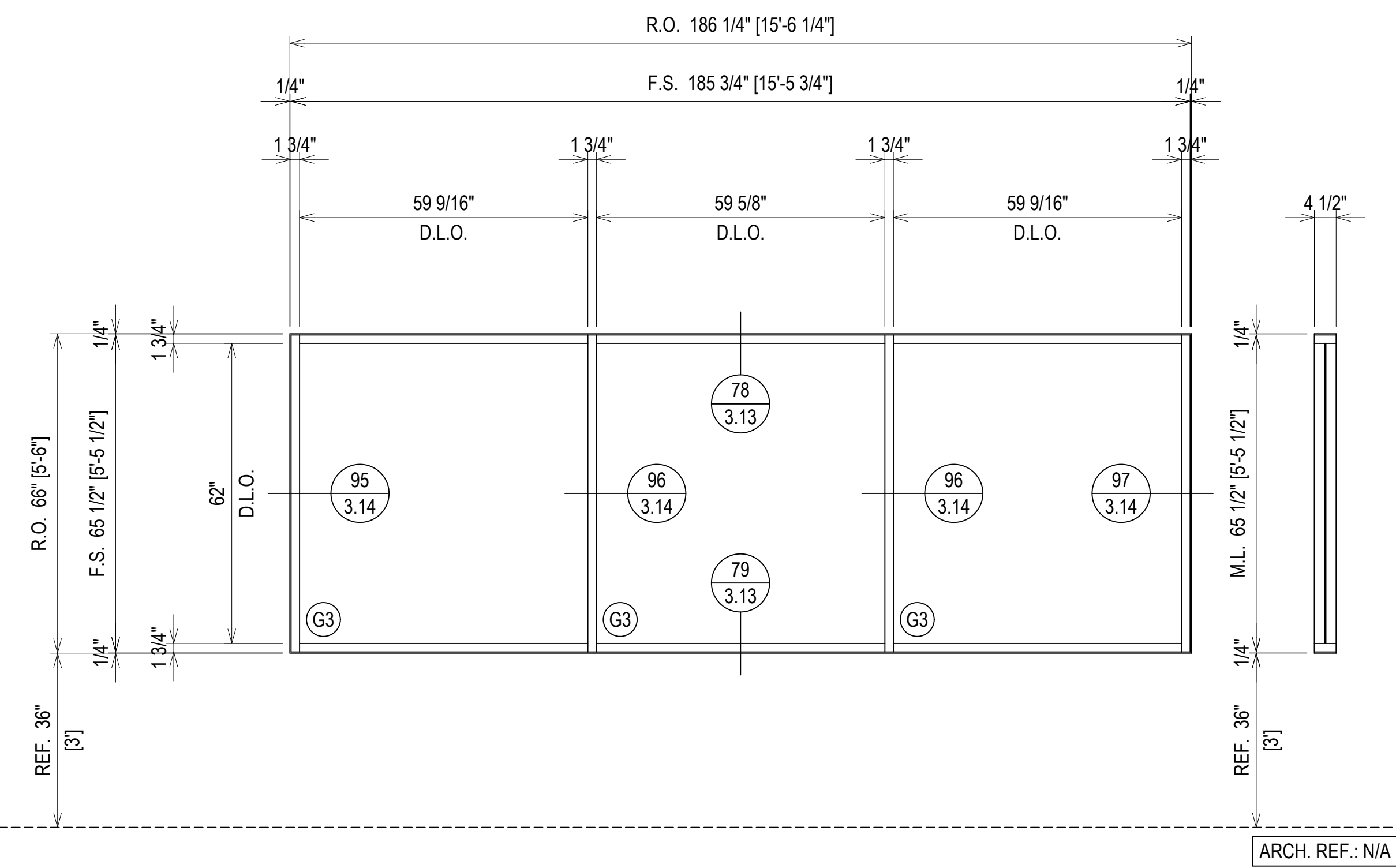
2.11



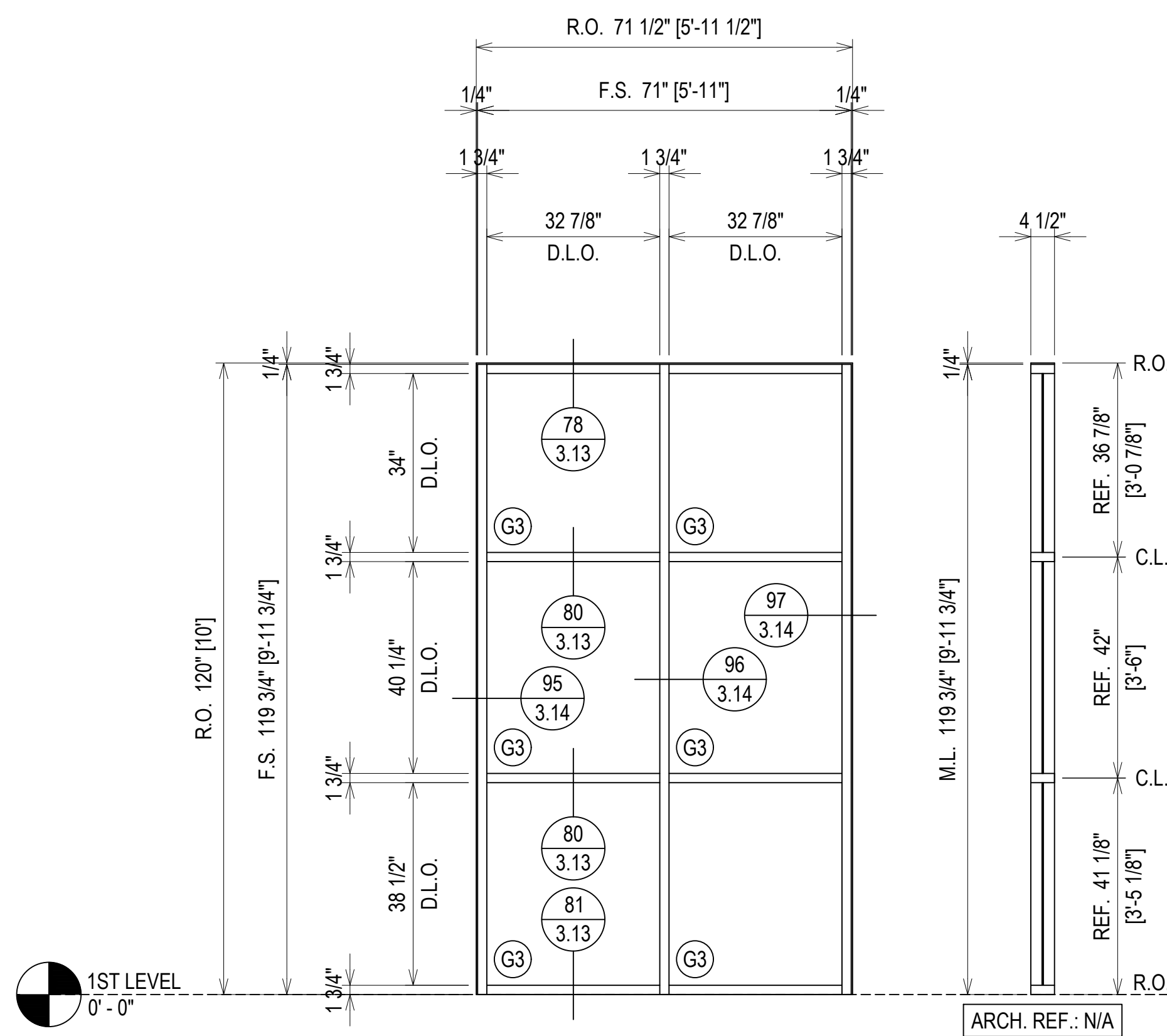
ELEVATION B
 SCALE: 1/2" = 1'-0"
 OLDCASTLE B.E. FG-2000 - 1 3/4" X 4 1/2"
 INTERIOR STOREFRONT
 1/4" TEMPERED GLASS (CENTER SET)
 QUANTITY: 3



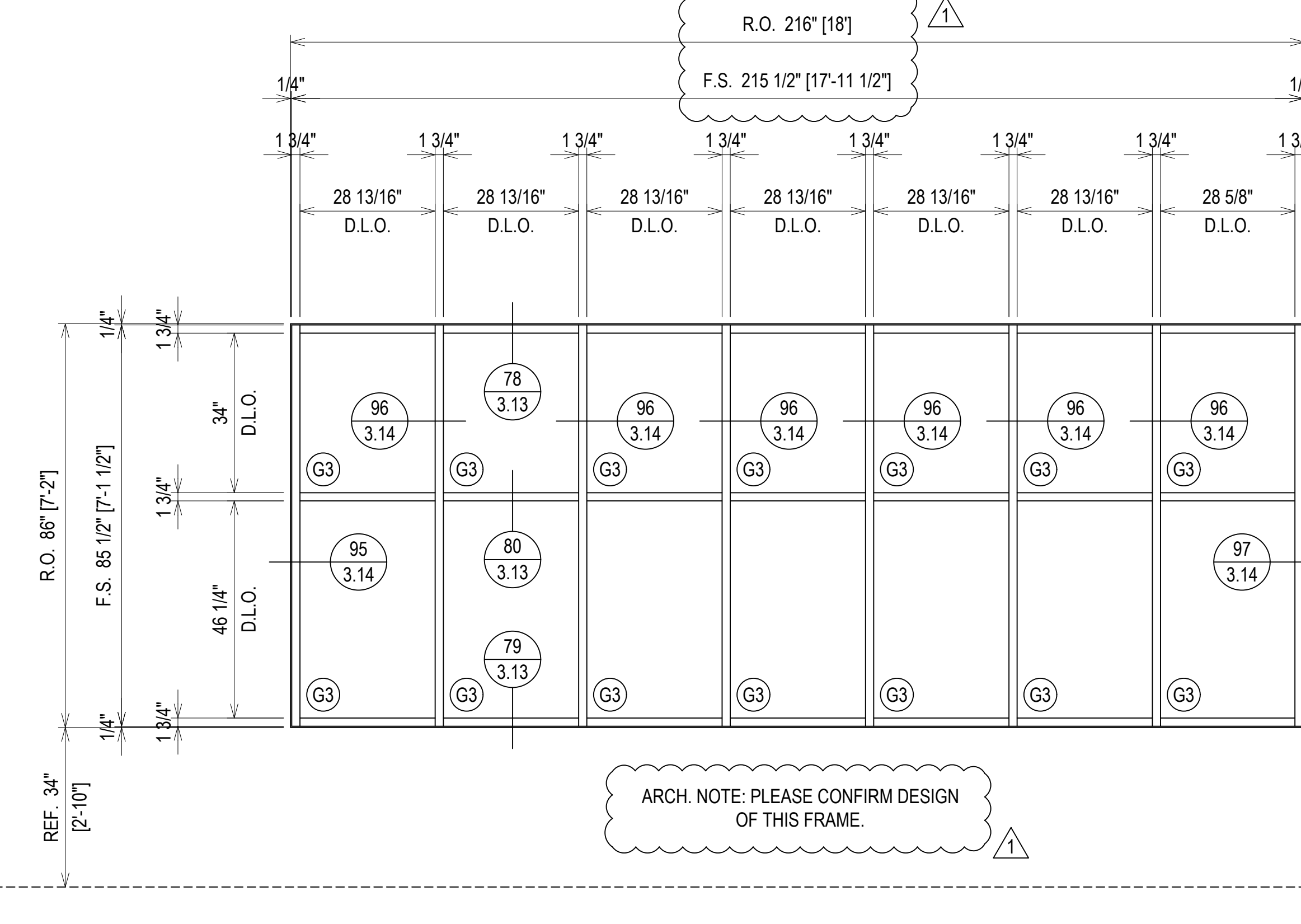
ELEVATION B.1
 SCALE: 1/2" = 1'-0"
 OLDCASTLE B.E. FG-2000 - 1 3/4" X 4 1/2"
 INTERIOR STOREFRONT
 1/4" TEMPERED GLASS (CENTER SET)
 QUANTITY: 2



ELEVATION C
 SCALE: 1/2" = 1'-0"
 OLDCASTLE B.E. FG-2000 - 1 3/4" X 4 1/2"
 INTERIOR STOREFRONT
 1/4" TEMPERED GLASS (CENTER SET)
 QUANTITY: 1

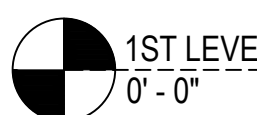
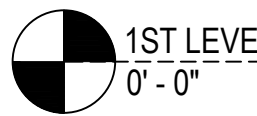


ELEVATION E
 SCALE: 1/2" = 1'-0"
 OLDCASTLE B.E. FG-2000 - 1 3/4" X 4 1/2"
 INTERIOR STOREFRONT
 1/4" TEMPERED GLASS (CENTER SET)
 QUANTITY: 1



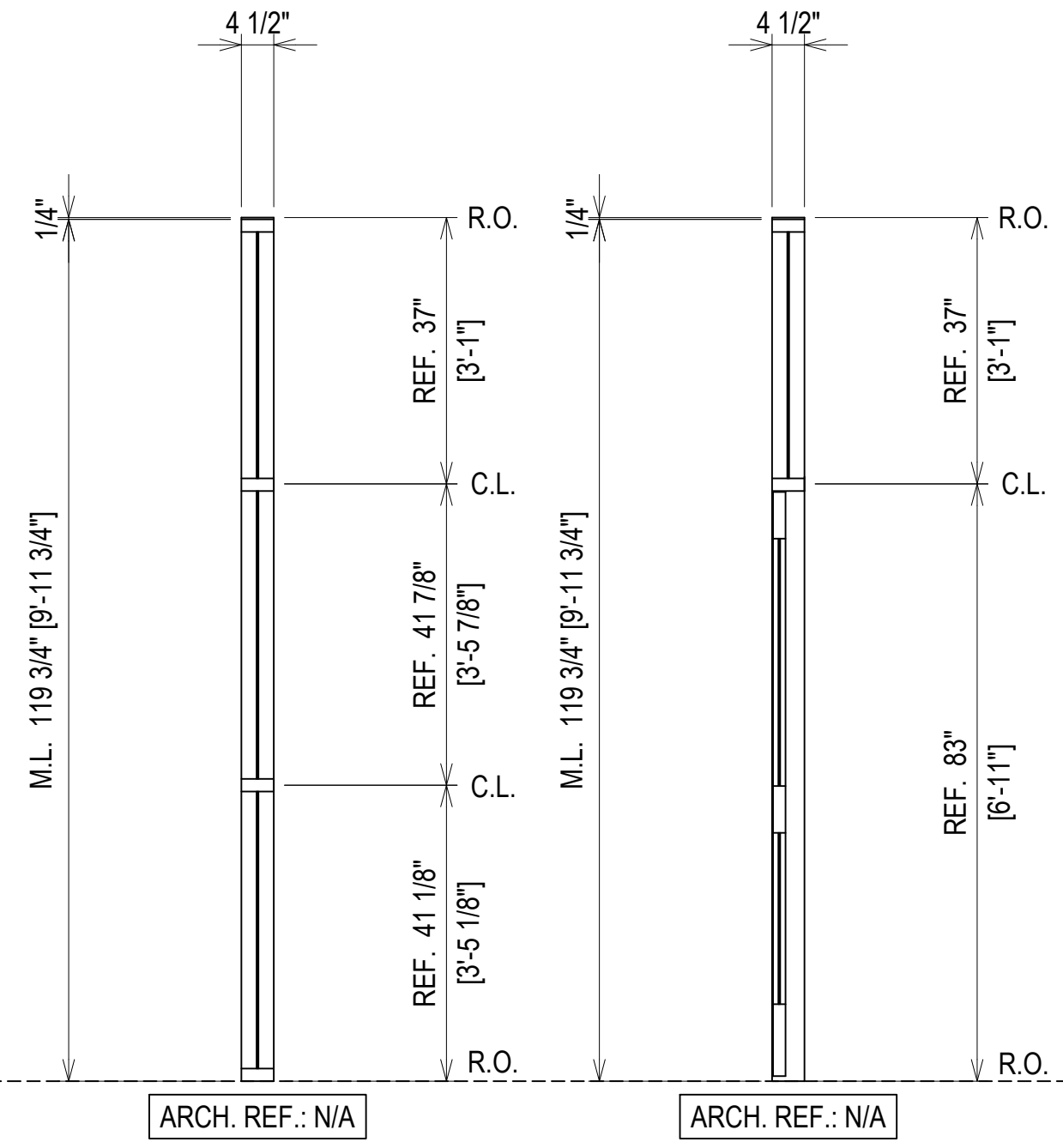
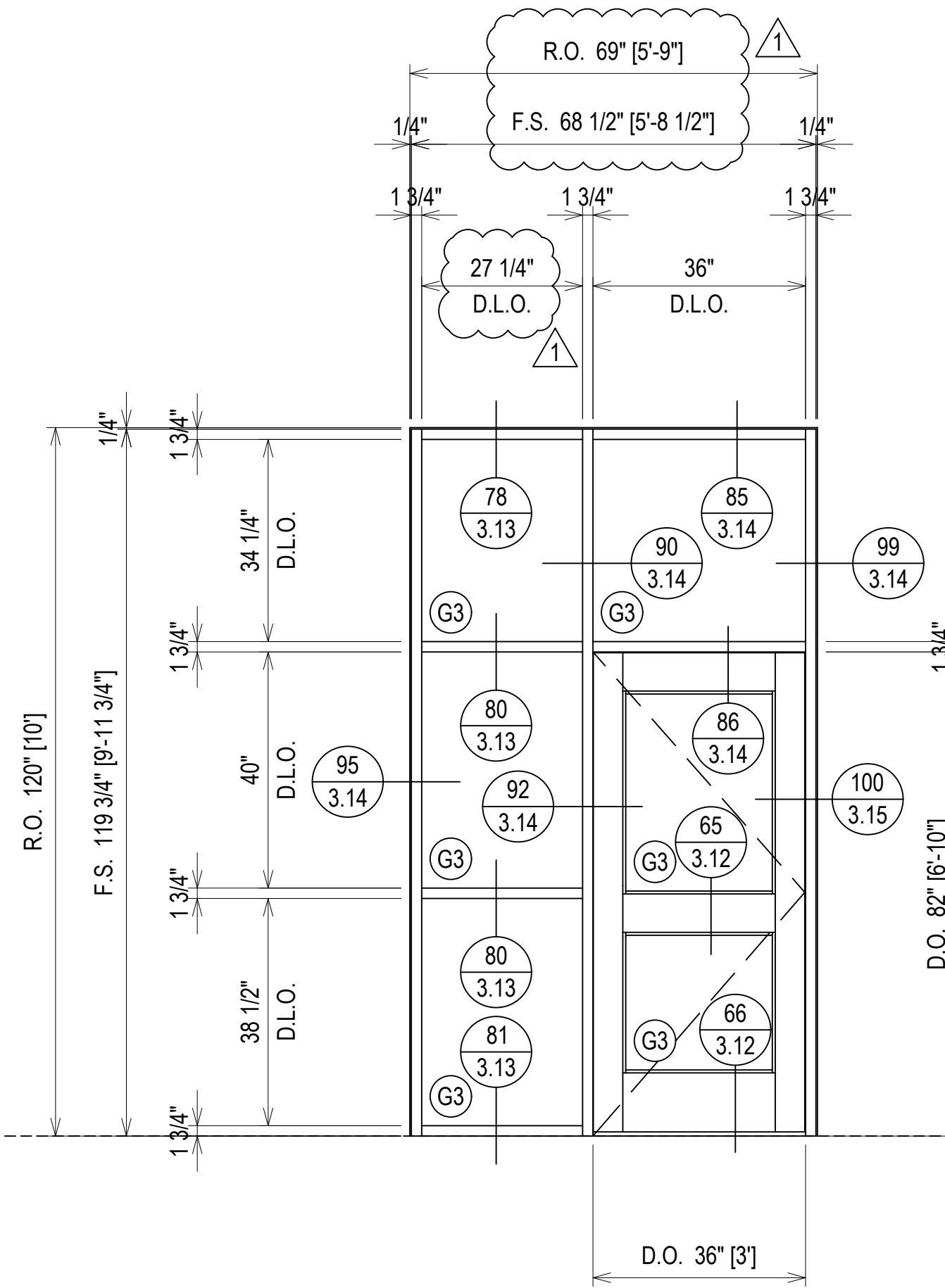
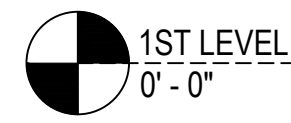
ELEVATION K1
 SCALE: 1/2" = 1'-0"
 OLDCASTLE B.E. FG-2000 - 1 3/4" X 4 1/2"
 INTERIOR STOREFRONT
 1/4" TEMPERED GLASS (CENTER SET)
 QUANTITY: 2

ARCH. NOTE: PLEASE CONFIRM DESIGN OF THIS FRAME.



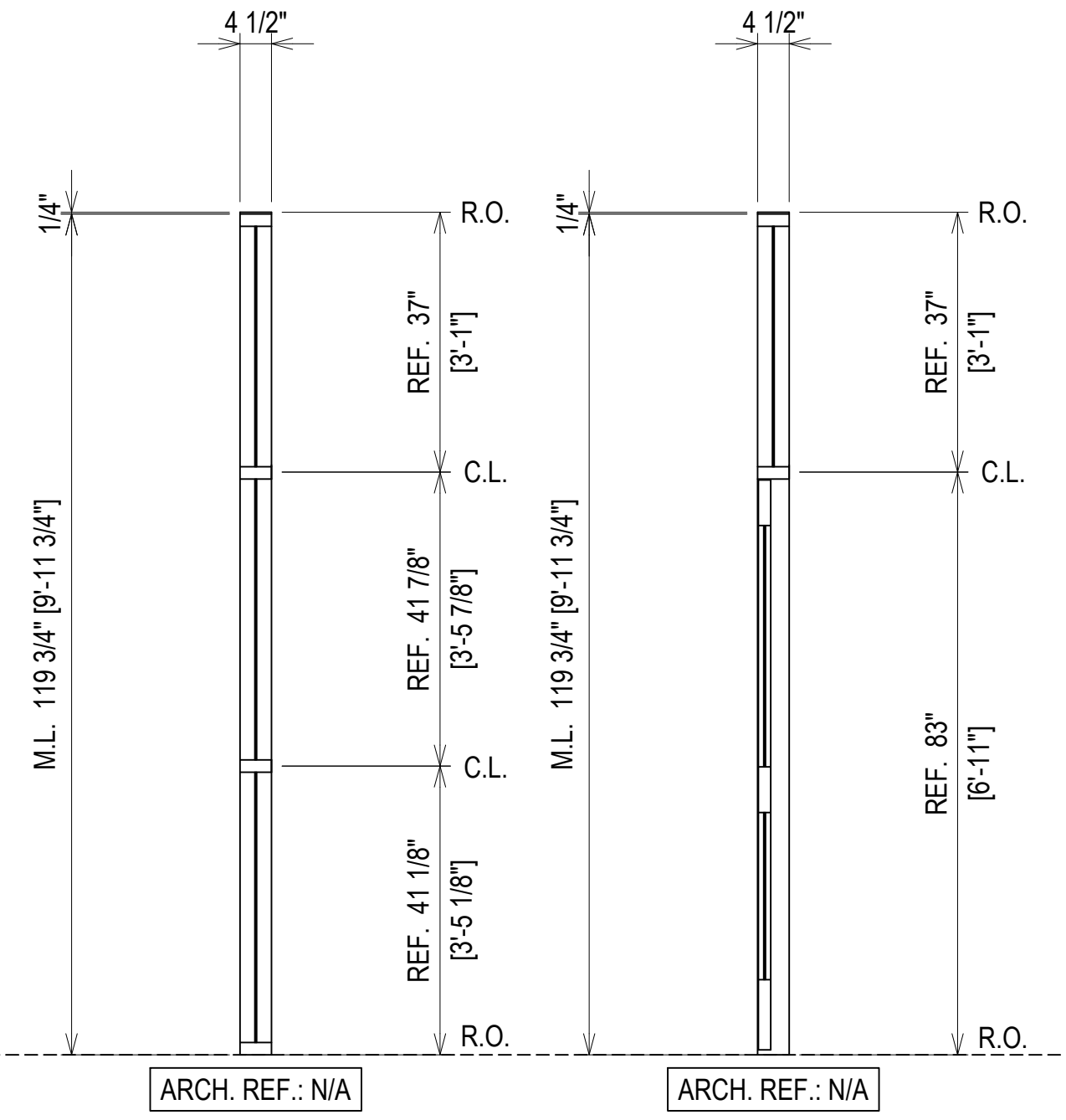
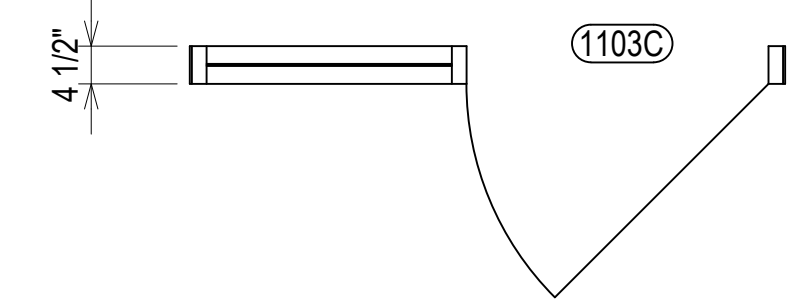
PROJECT:	JUNIOR HIGH SCHOOL 6	ERECTOR:	THE THEUT COMPANY	DATE:	09.12.19
LOCATION:	LAMAR CISD	1ST SUBMISSION	1317 HWY. 71 WEST	1ST REVISION	12.19.19
	7500 KOEBLEN RD	2ND REVISION (ENGINEERING)	COLUMBUS, TX 78934	NO	4.16.20
	RICHMOND TX, 77469	DESCRIPTION	979.732.2201	DRAWING SUBMISSION	DATE
DRAWN BY:	RA	DATE:	09.12.19		
CHECKED BY:	ST	DATE:	09.12.19		

ERECTOR / G.C. NOTE:
 PLEASE FIELD VERIFY ALL DIMENSIONS



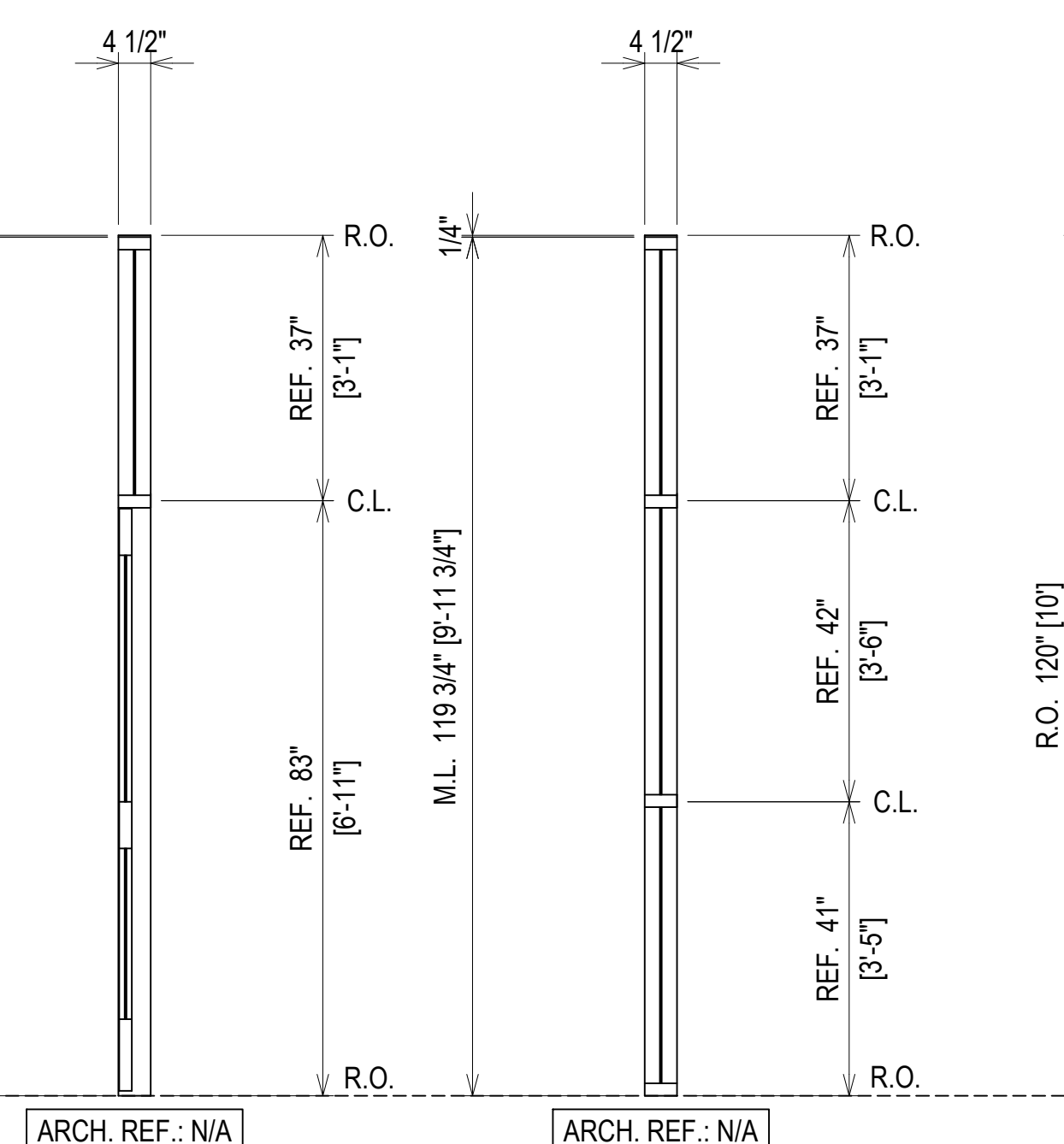
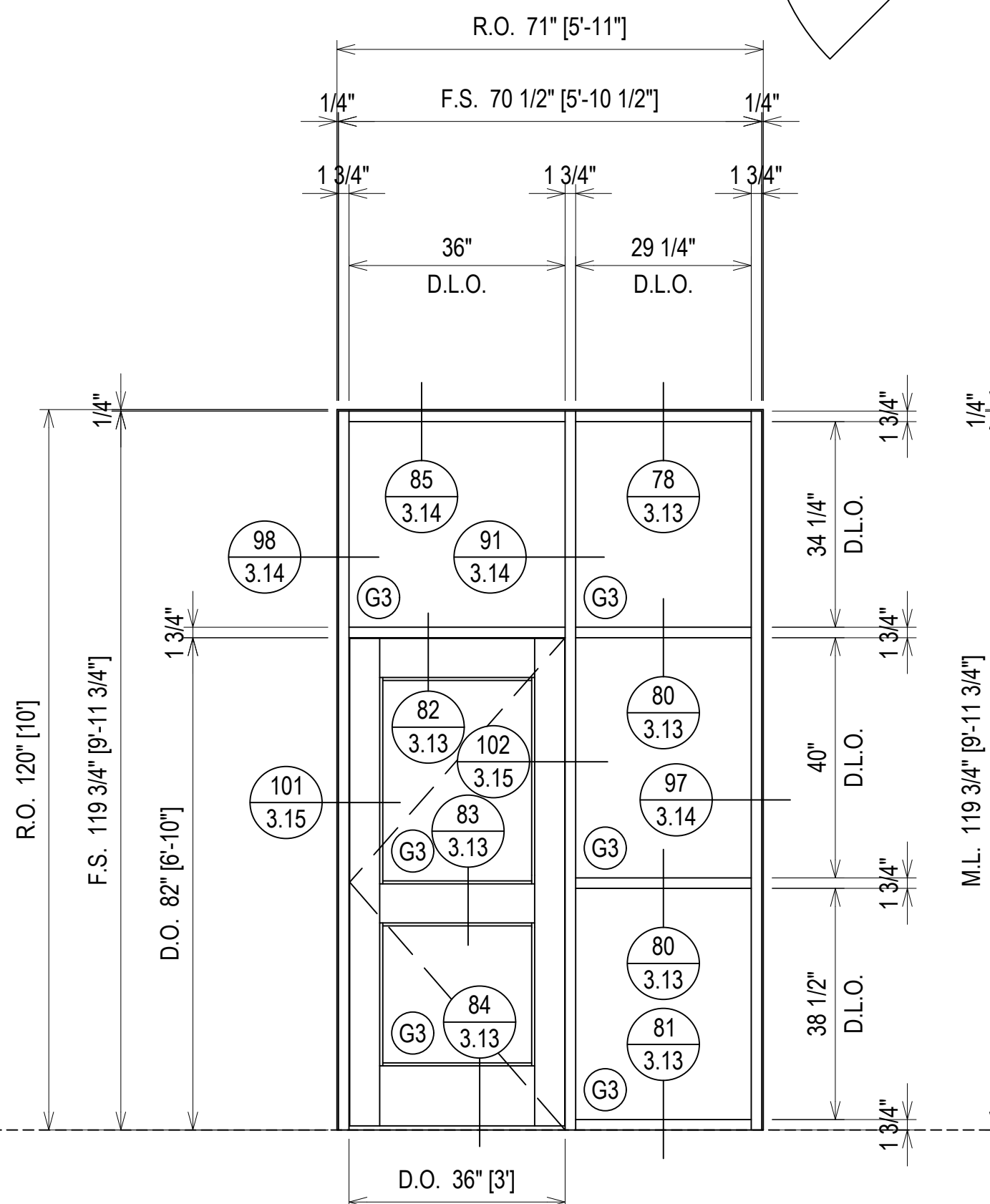
ELEVATION 10

SCALE: 1/2" = 1'-0"
 OLDCASTLE B.E. FG-2000 - 1 3/4" X 4 1/2"
 INTERIOR STOREFRONT
 1/4" TEMPERED GLASS (CENTER SET)
 QUANTITY: 1



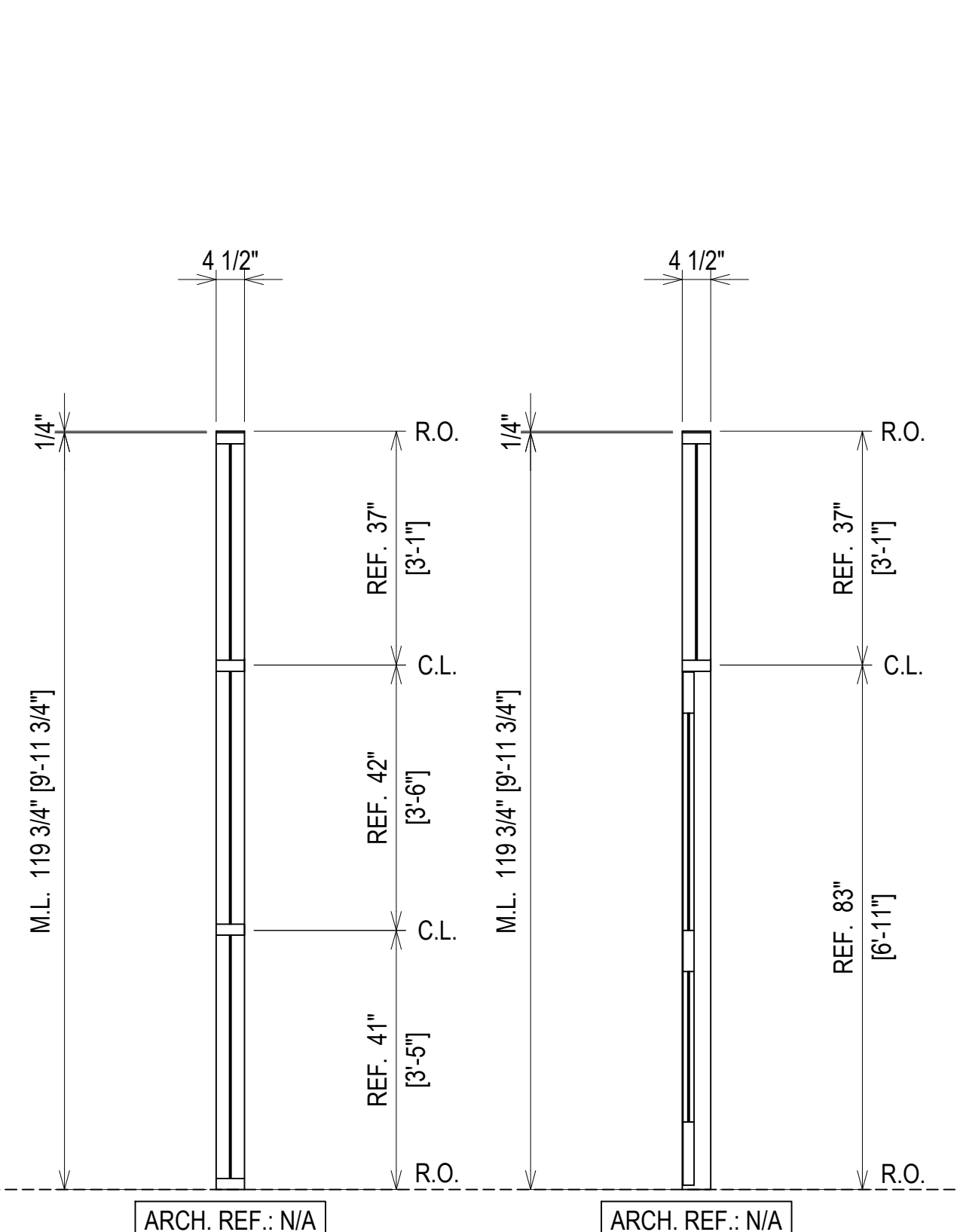
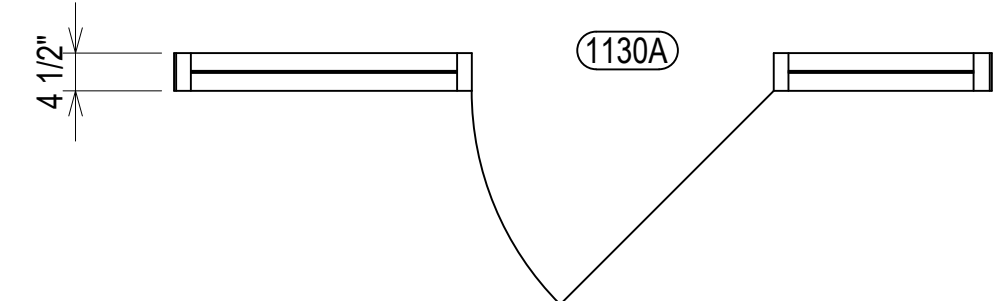
ELEVATION 10.1

SCALE: 1/2" = 1'-0"
 OLDCASTLE B.E. FG-2000 - 1 3/4" X 4 1/2"
 INTERIOR STOREFRONT
 1/4" TEMPERED GLASS (CENTER SET)
 QUANTITY: 1



ELEVATION 10.2

SCALE: 1/2" = 1'-0"
 OLDCASTLE B.E. FG-2000 - 1 3/4" X 4 1/2"
 INTERIOR STOREFRONT
 1/4" TEMPERED GLASS (CENTER SET)
 QUANTITY: 1



ELEVATION 11

SCALE: 1/2" = 1'-0"
 OLDCASTLE B.E. FG-2000 - 1 3/4" X 4 1/2"
 INTERIOR STOREFRONT
 1/4" TEMPERED GLASS (CENTER SET)
 QUANTITY: 1

ERECTOR / G.C. NOTE:
 PLEASE FIELD VERIFY ALL DIMENSIONS

PROJECT:	JUNIOR HIGH SCHOOL 6	ERECTOR:	THE THEUT COMPANY
LOCATION:	LAMAR CISD 7500 KOEBLEN RD RICHMOND TX, 77469	1ST SUBMISSION	09.12.19
DRAWN BY:	RA	1ST REVISION	12.19.19
CHECKED BY:	ST	2ND REVISION (ENGINEERING)	4.16.20
DATE:	09.12.19	DESCRIPTION	DRAWING SUBMISSION
DATE:	09.12.19	NO	DATE

1ST SUBMISSION	09.12.19
1ST REVISION	12.19.19
2ND REVISION (ENGINEERING)	4.16.20
NO	DATE
DRAWING SUBMISSION	

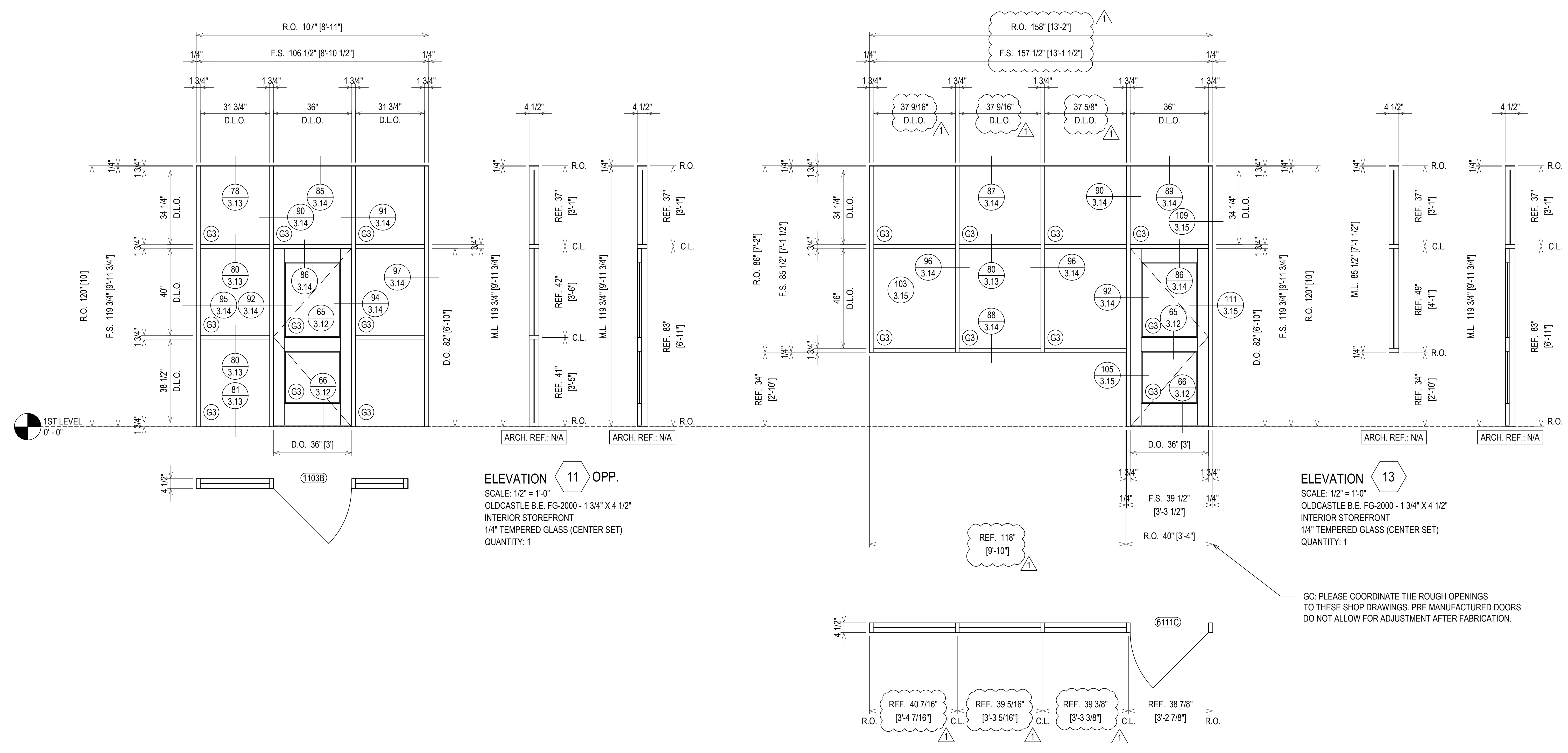
ERECTOR:
THE THEUT COMPANY
 1317 HWY. 71 WEST
 COLUMBUS, TX 78934
 979.732.2201

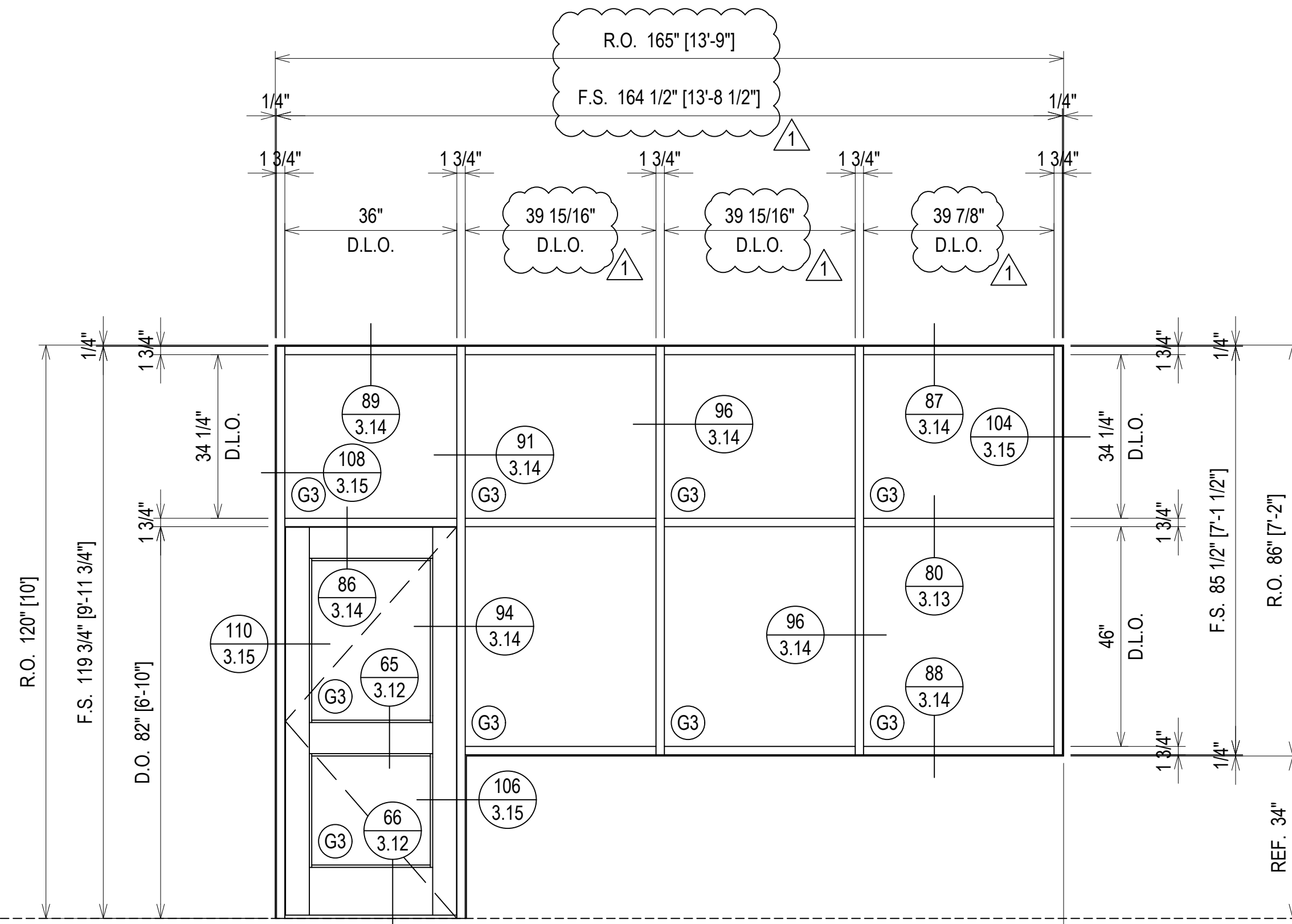
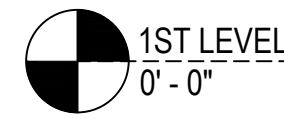
PROJECT: JUNIOR HIGH SCHOOL 6
 LAMAR CISD
 LOCATION: 7500 KOEBLEN RD
 RICHMOND TX, 77469

DRAWN BY: RA	DATE: 09.12.19
CHECKED BY: ST	DATE: 09.12.19

ERECTOR / G.C. NOTE:
 PLEASE FIELD VERIFY ALL DIMENSIONS

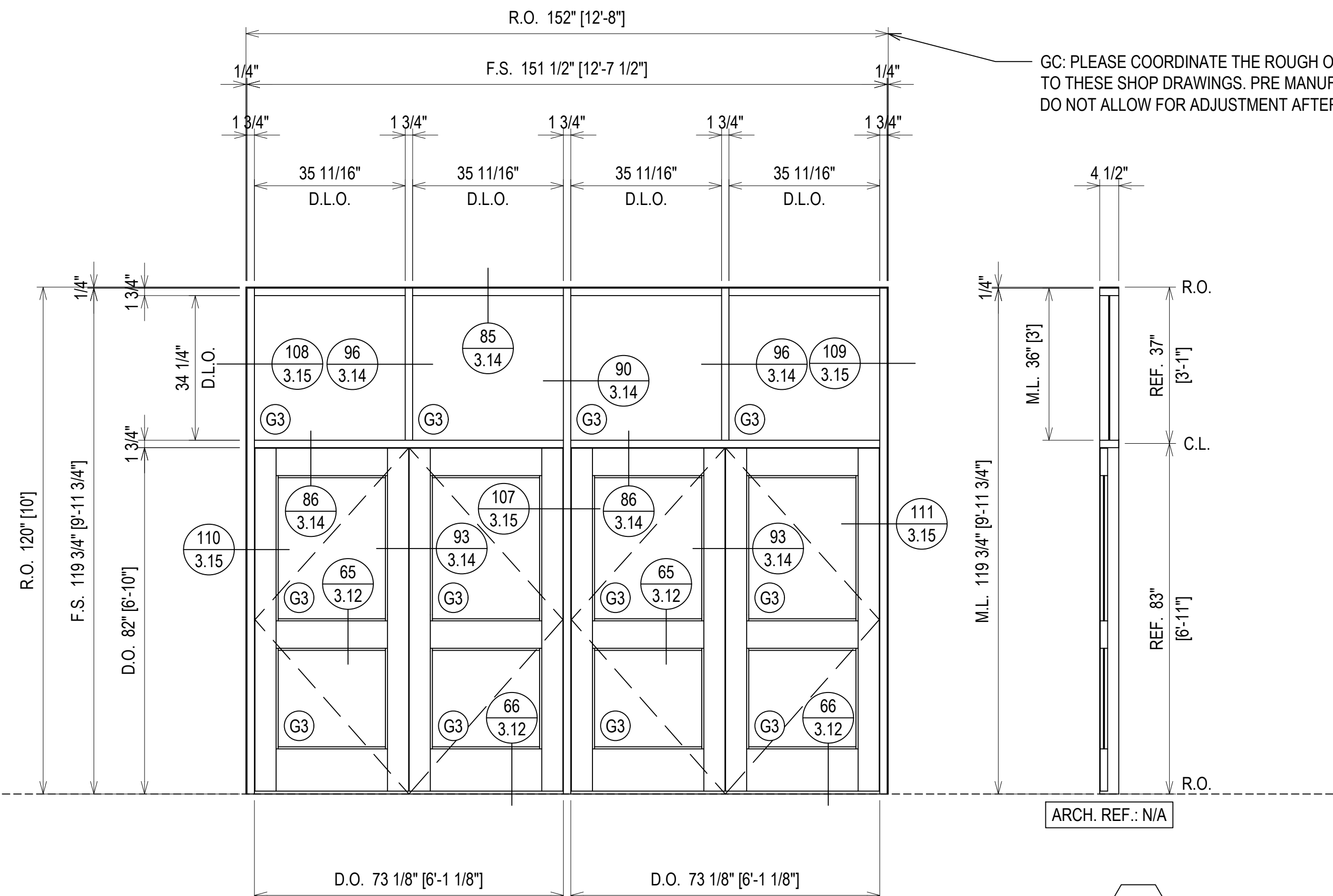
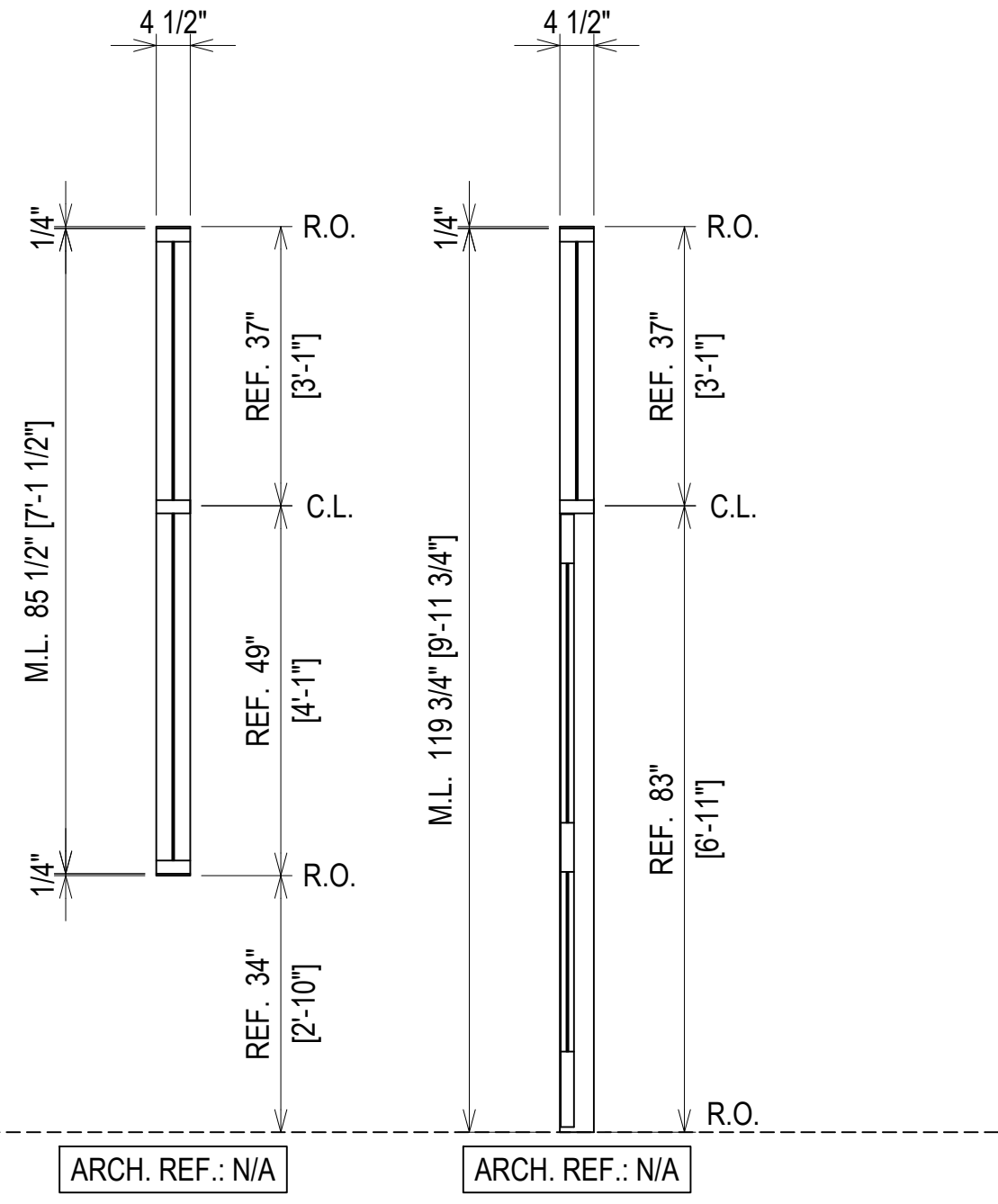
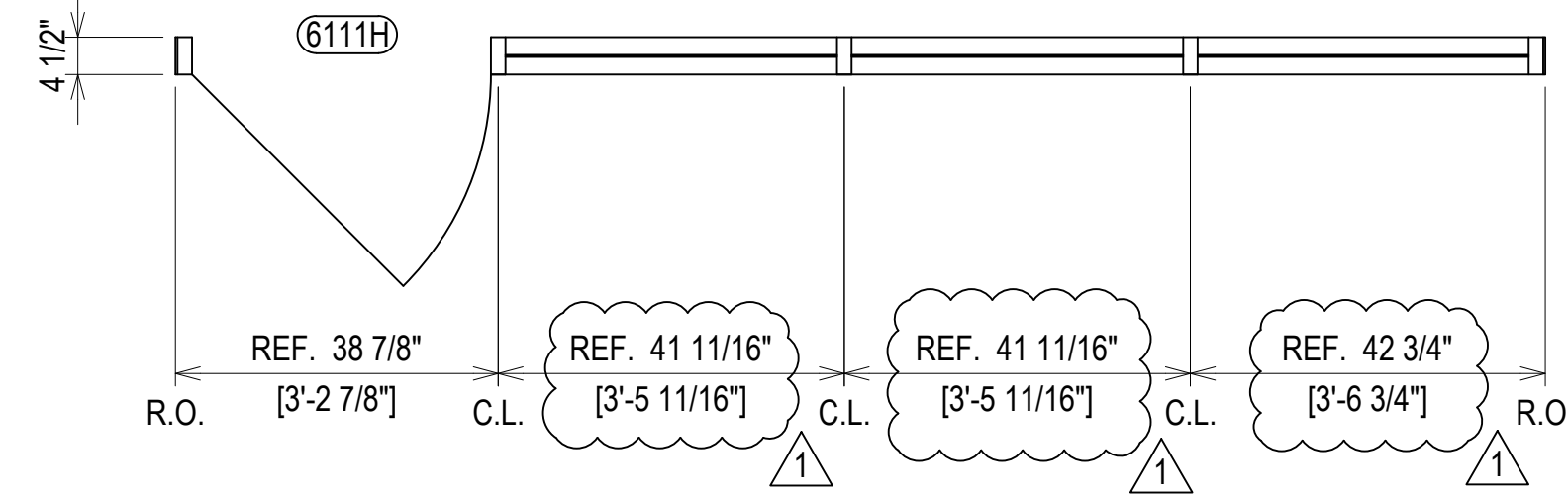
2.14





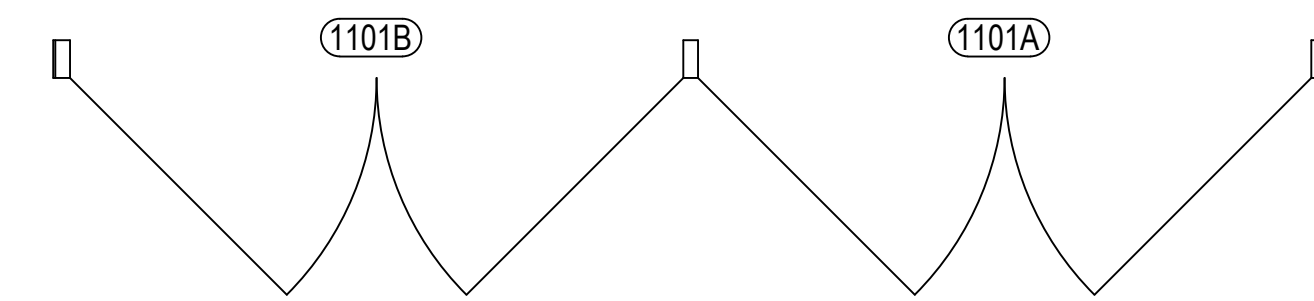
GC: PLEASE COORDINATE THE ROUGH OPENINGS TO THESE SHOP DRAWINGS. PRE MANUFACTURED DOORS DO NOT ALLOW FOR ADJUSTMENT AFTER FABRICATION.

ELEVATION 13 OPP.
 SCALE: 1/2" = 1'-0"
 OLDCASTLE B.E. FG-2000 - 1 3/4" X 4 1/2"
 INTERIOR STOREFRONT
 1/4" TEMPERED GLASS (CENTER SET)
 QUANTITY: 1



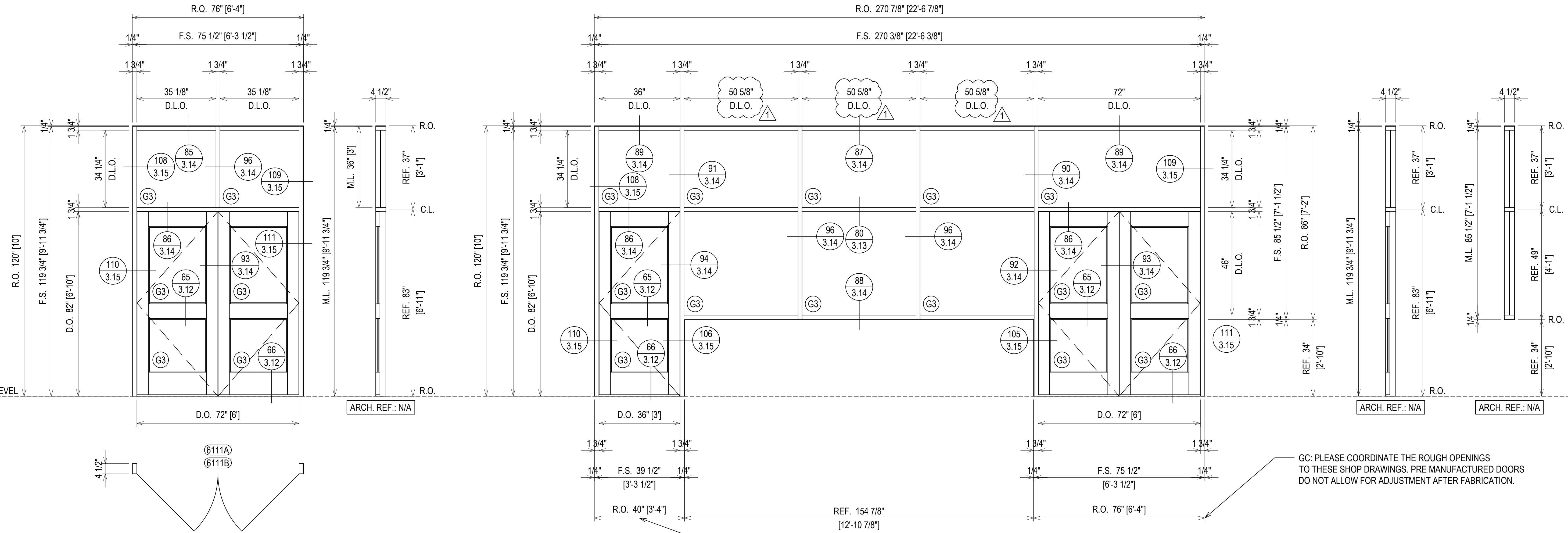
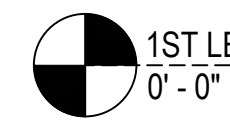
GC: PLEASE COORDINATE THE ROUGH OPENINGS TO THESE SHOP DRAWINGS. PRE MANUFACTURED DOORS DO NOT ALLOW FOR ADJUSTMENT AFTER FABRICATION.

ELEVATION 14
 SCALE: 1/2" = 1'-0"
 OLDCASTLE B.E. FG-2000 - 1 3/4" X 4 1/2"
 INTERIOR STOREFRONT
 1/4" TEMPERED GLASS (CENTER SET)
 QUANTITY: 1



ERECTOR / G.C. NOTE:
 PLEASE FIELD VERIFY ALL DIMENSIONS

PROJECT:	JUNIOR HIGH SCHOOL 6	ERECTOR:	THE THEUT COMPANY
LOCATION:	LAMAR CISD 7500 KOEBLEN RD RICHMOND TX, 77469	1ST SUBMISSION	09.12.19
DRAWN BY:	RA	1ST REVISION	12.19.19
CHECKED BY:	ST	2ND REVISION (ENGINEERING)	4.16.20
DATE:	09.12.19	NO	DESCRIPTION
DATE:	09.12.19	NO	DATE
			DRAWING SUBMISSION



ELEVATION 18.1
 SCALE: 1/2" = 1'-0"
 OLDCASTLE B.E. FG-2000 - 1 3/4" X 4 1/2"
 INTERIOR STOREFRONT
 1/4" TEMPERED GLASS (CENTER SET)
 QUANTITY: 2

ELEVATION 20
 SCALE: 1/2" = 1'-0"
 OLDCASTLE B.E. FG-2000 - 1 3/4" X 4 1/2"
 INTERIOR STOREFRONT
 1/4" TEMPERED GLASS (CENTER SET)
 QUANTITY: 1

GC: PLEASE COORDINATE THE ROUGH OPENINGS TO THESE SHOP DRAWINGS. PRE MANUFACTURED DOORS DO NOT ALLOW FOR ADJUSTMENT AFTER FABRICATION.

GC: PLEASE COORDINATE THE ROUGH OPENINGS TO THESE SHOP DRAWINGS. PRE MANUFACTURED DOORS DO NOT ALLOW FOR ADJUSTMENT AFTER FABRICATION.

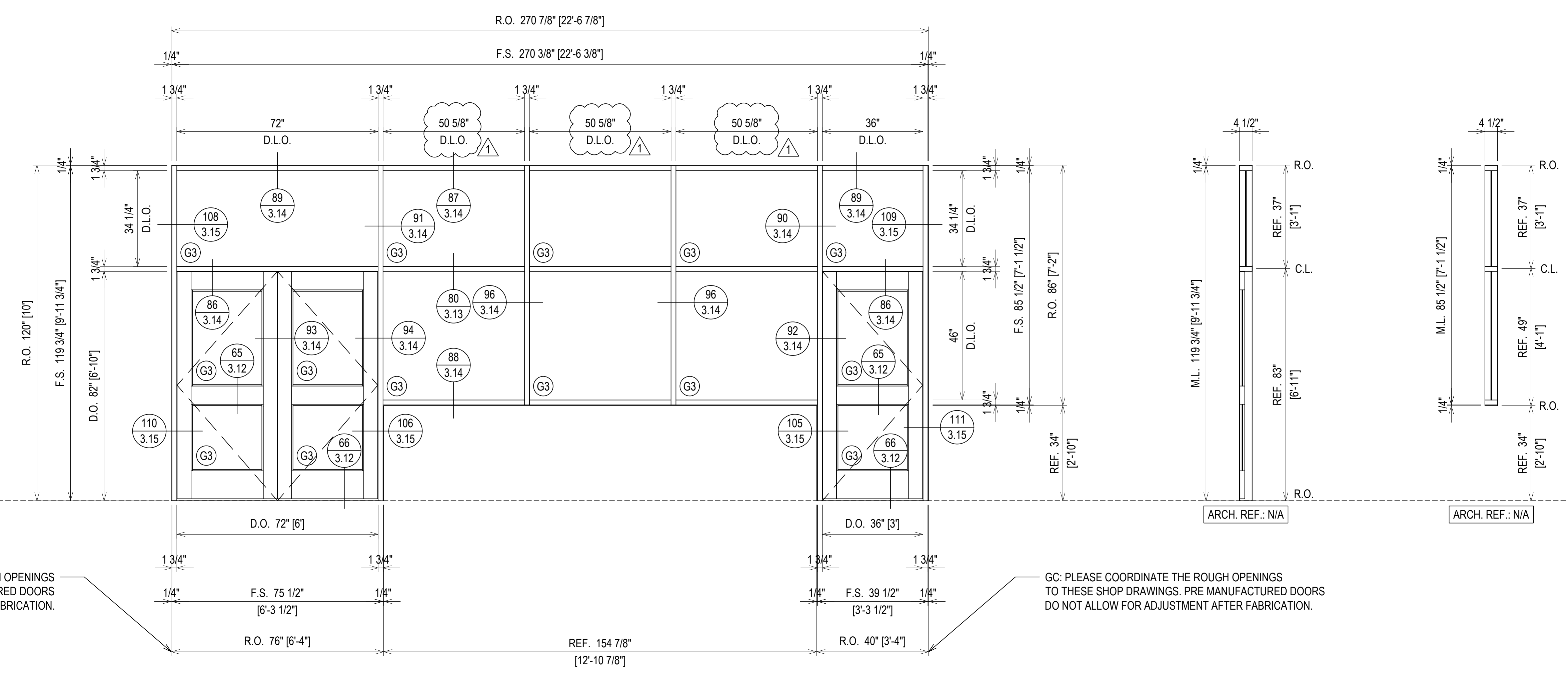
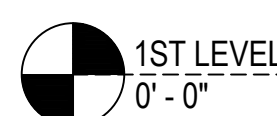
1ST SUBMISSION	09.12.19
1ST REVISION	12.19.19
2ND REVISION (ENGINEERING)	4.16.20
NO	DATE
NO	DESCRIPTION
NO	DRAWING SUBMISSION

ERECTOR:
THE THEUT COMPANY
 1317 HWY. 71 WEST
 COLUMBUS, TX 78934
 979.732.2201

PROJECT: JUNIOR HIGH SCHOOL 6
 LAMAR CISD
 LOCATION: 7500 KOEBLEN RD
 RICHMOND TX, 77469

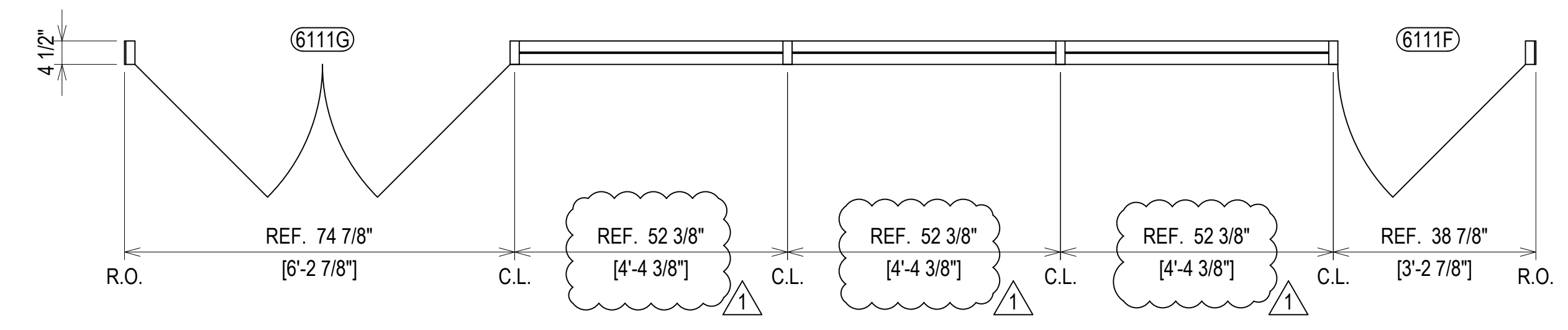
DRAWN BY:	DATE:
RA	09.12.19
CHECKED BY:	DATE:
ST	09.12.19

ERECTOR / G.C. NOTE:
 PLEASE FIELD VERIFY ALL DIMENSIONS



GC: PLEASE COORDINATE THE ROUGH OPENINGS TO THESE SHOP DRAWINGS. PRE MANUFACTURED DOORS DO NOT ALLOW FOR ADJUSTMENT AFTER FABRICATION.

GC: PLEASE COORDINATE THE ROUGH OPENINGS TO THESE SHOP DRAWINGS. PRE MANUFACTURED DOORS DO NOT ALLOW FOR ADJUSTMENT AFTER FABRICATION.



ELEVATION 20 OPP.
 SCALE: 1/2" = 1'-0"
 OLDCASTLE B.E. FG-2000 - 1 3/4" X 4 1/2"
 INTERIOR STOREFRONT
 1/4" TEMPERED GLASS (CENTER SET)
 QUANTITY: 1

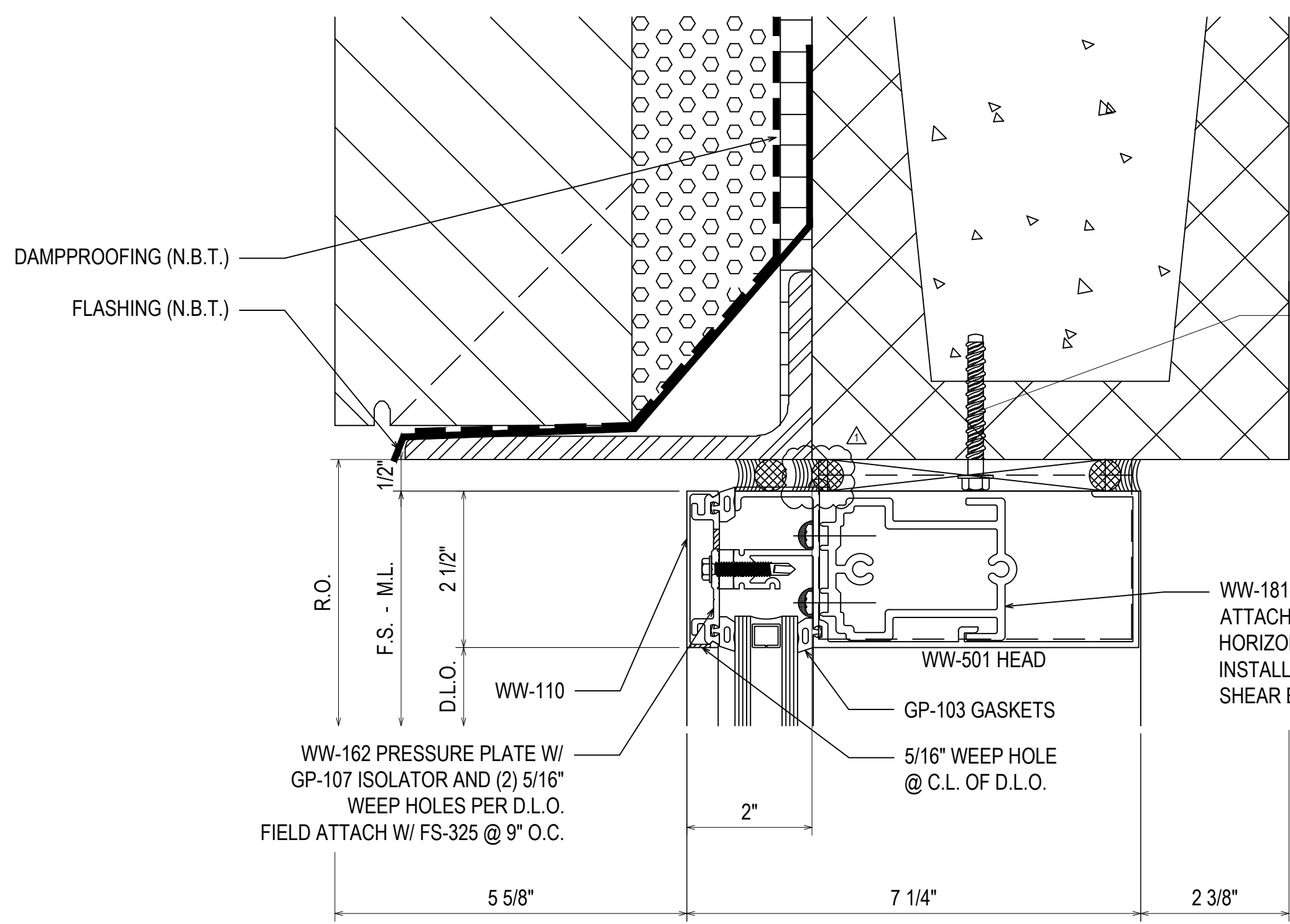
1ST SUBMISSION	09.12.19
1 1ST REVISION	12.19.19
2 2ND REVISION (ENGINEERING)	4.16.20
NO	DATE
DRAWING SUBMISSION	

ERECTOR:
THE THEUT COMPANY
 1317 HWY. 71 WEST
 COLUMBUS, TX 78934
 979.732.2201

PROJECT: JUNIOR HIGH SCHOOL 6
 LAMAR CISD
 LOCATION: 7500 KOEBLEN RD
 RICHMOND TX, 77469

DRAWN BY: RA	DATE: 09.12.19
CHECKED BY: ST	DATE: 09.12.19

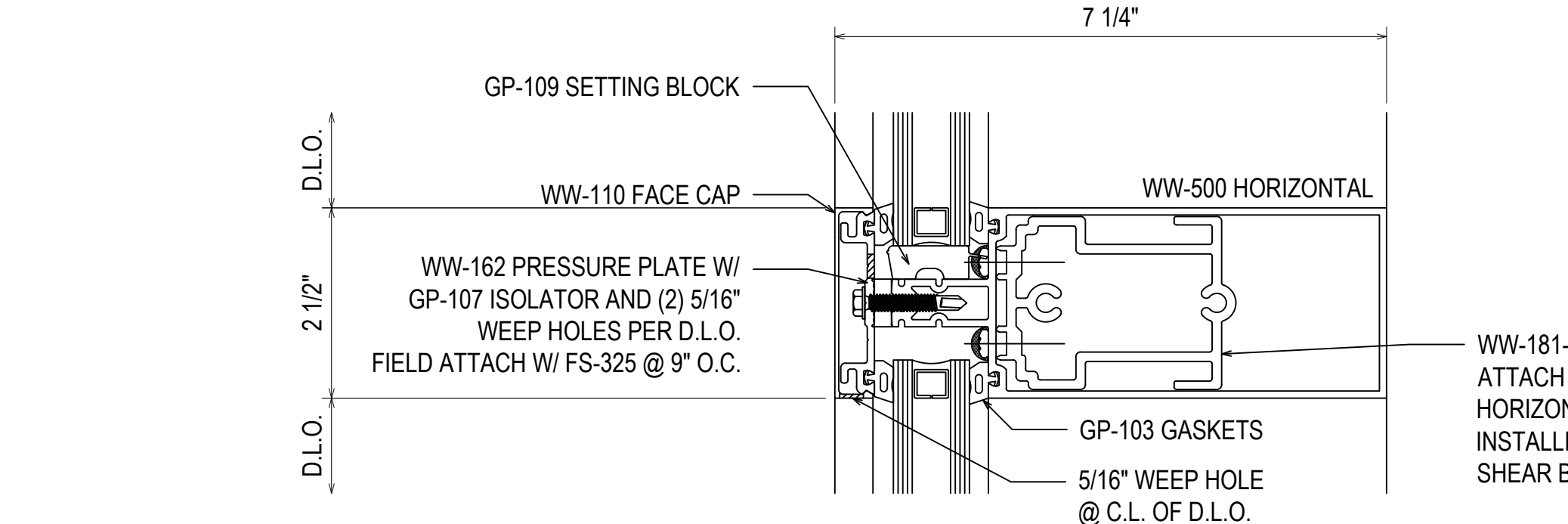
ERECTOR / G.C. NOTE:
 PLEASE FIELD VERIFY ALL DIMENSIONS



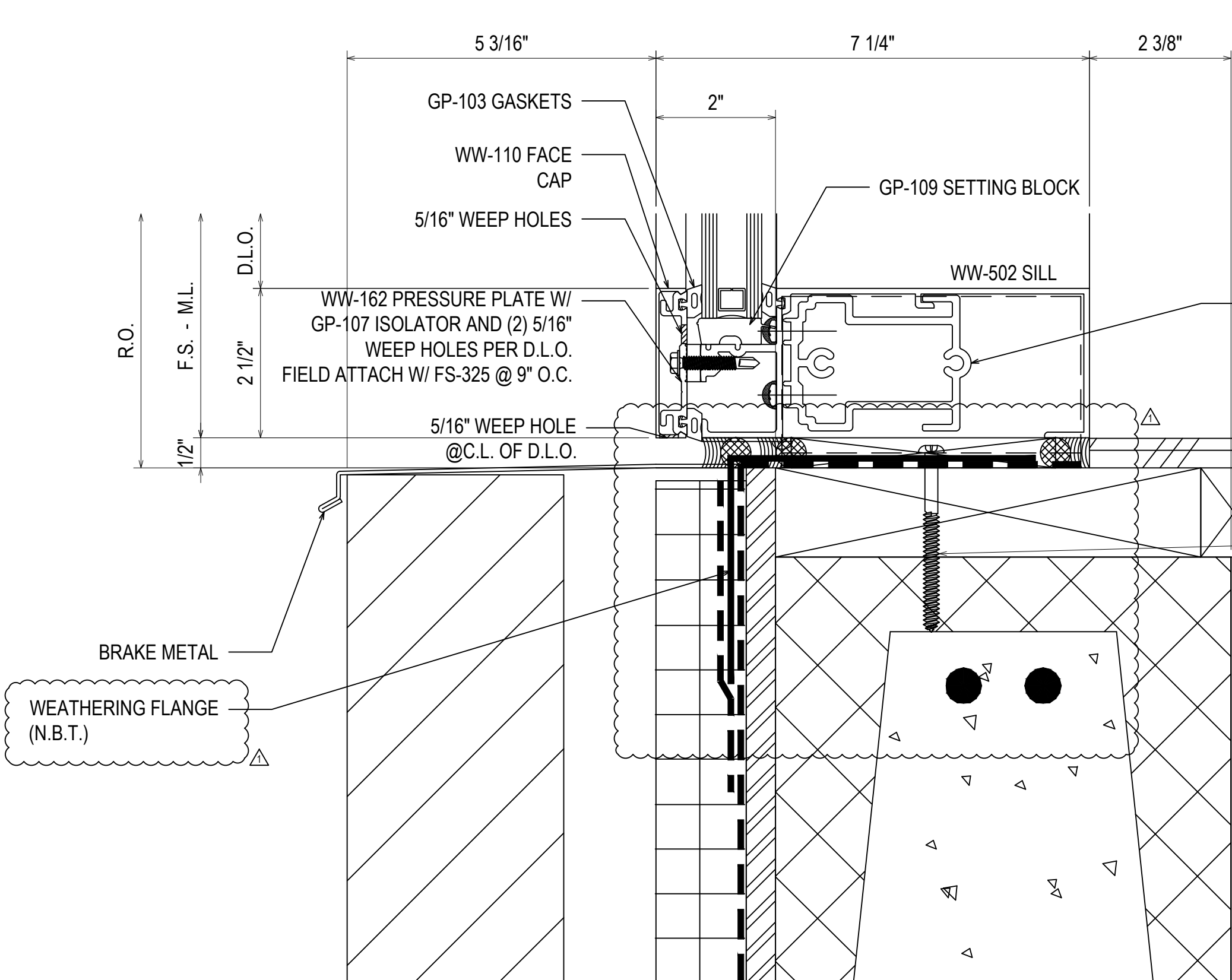
F-/U-CLIP SECURED USING TWO 3/8" HILTI KWIK HUS EZ ANCHORS
 MINIMUM 2-1/2" EMBEDMENT
 MINIMUM 3" EDGE DISTANCE
 MINIMUM 3" ANCHOR SPACING

T-CLIP SECURED USING TWO 3/8" HILTI KWIK HUS EZ ANCHORS
 MINIMUM 2-1/2" EMBEDMENT
 MINIMUM 3" EDGE DISTANCE
 MINIMUM 3" ANCHOR SPACING
 ONE ANCHOR ON EACH SIDE OF MULLION

1
 3.01
 REF: 18/A-543
 W2 - 16 - 18



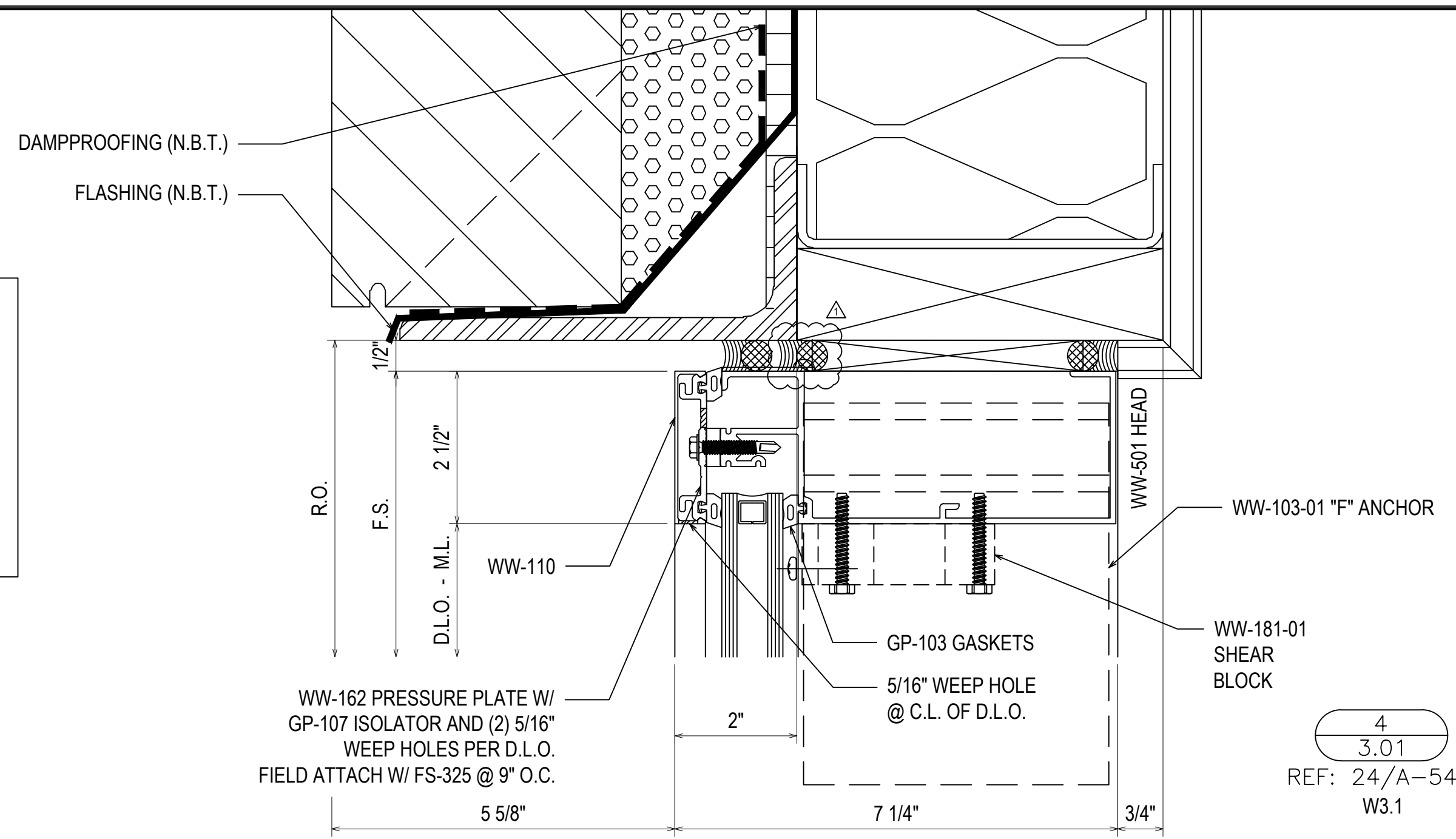
2
 3.01
 REF: N/A
 TYPICAL



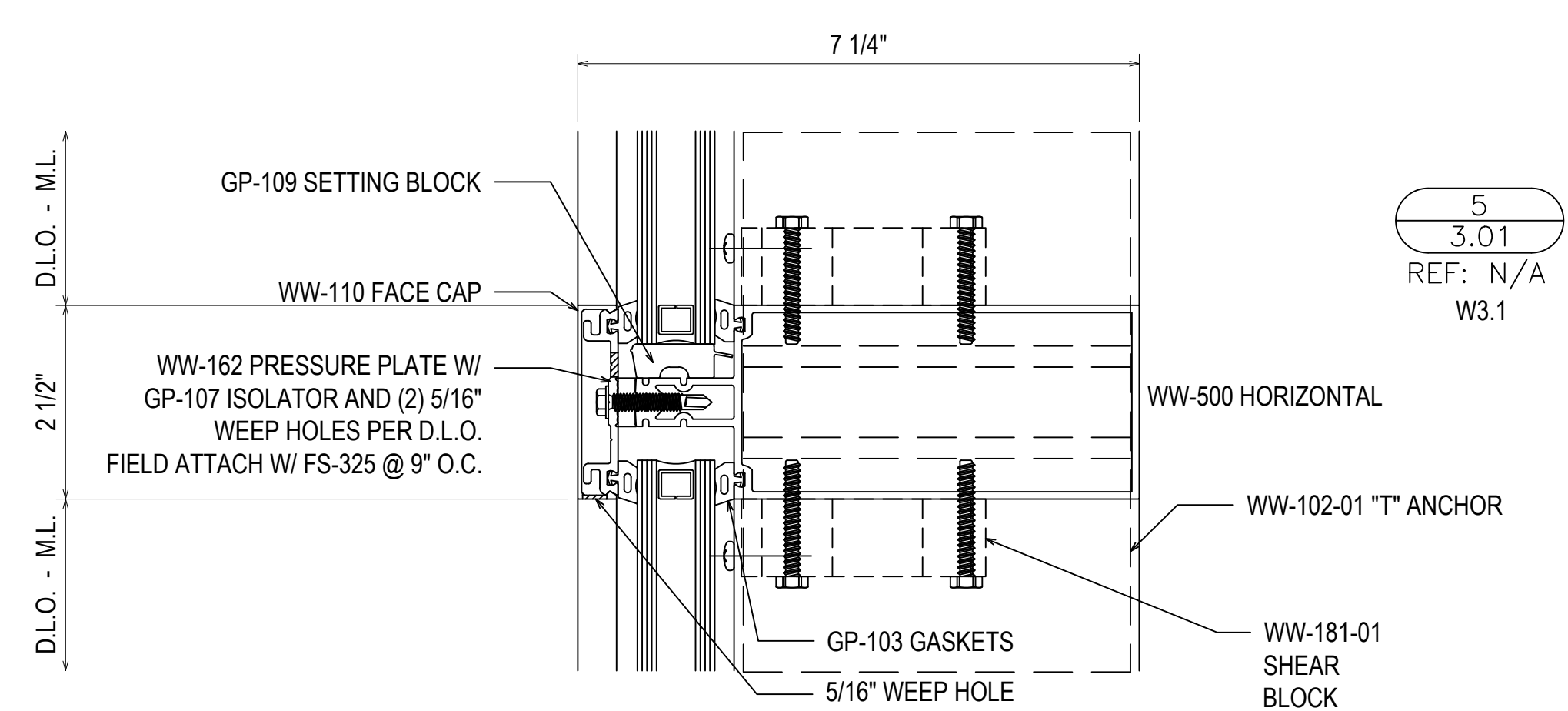
3
 3.01
 REF: 6/A-543
 W2 - 18

F-/U-CLIP SECURED USING TWO 3/8" HILTI KWIK HUS EZ ANCHORS
 MINIMUM 2-1/2" EMBEDMENT
 MINIMUM 3" EDGE DISTANCE
 MINIMUM 3" ANCHOR SPACING

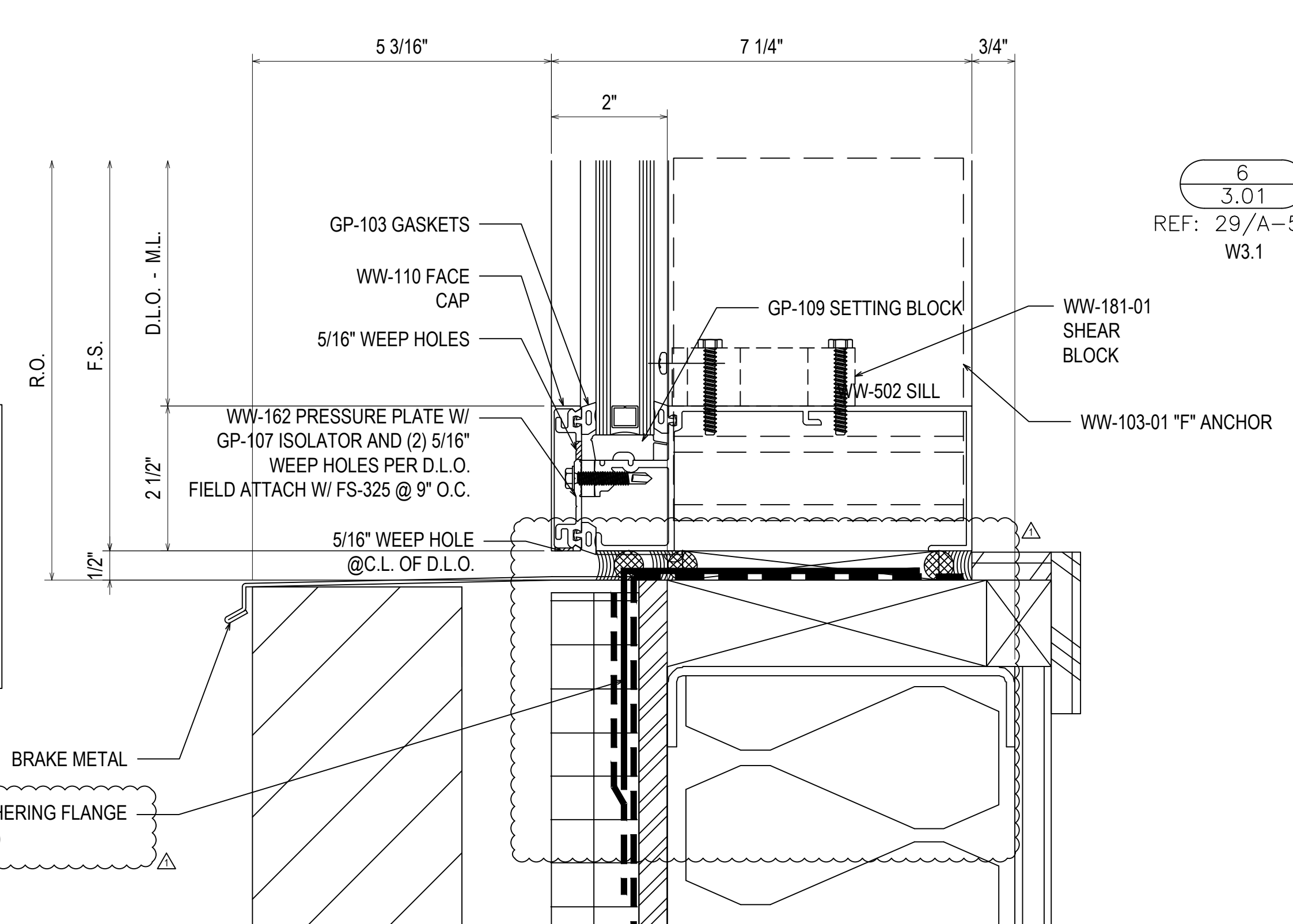
T-CLIP SECURED USING TWO 3/8" HILTI KWIK HUS EZ ANCHORS
 MINIMUM 2-1/2" EMBEDMENT
 MINIMUM 3" EDGE DISTANCE
 MINIMUM 3" ANCHOR SPACING
 ONE ANCHOR ON EACH SIDE OF MULLION



4
 3.01
 REF: 24/A-543
 W3.1

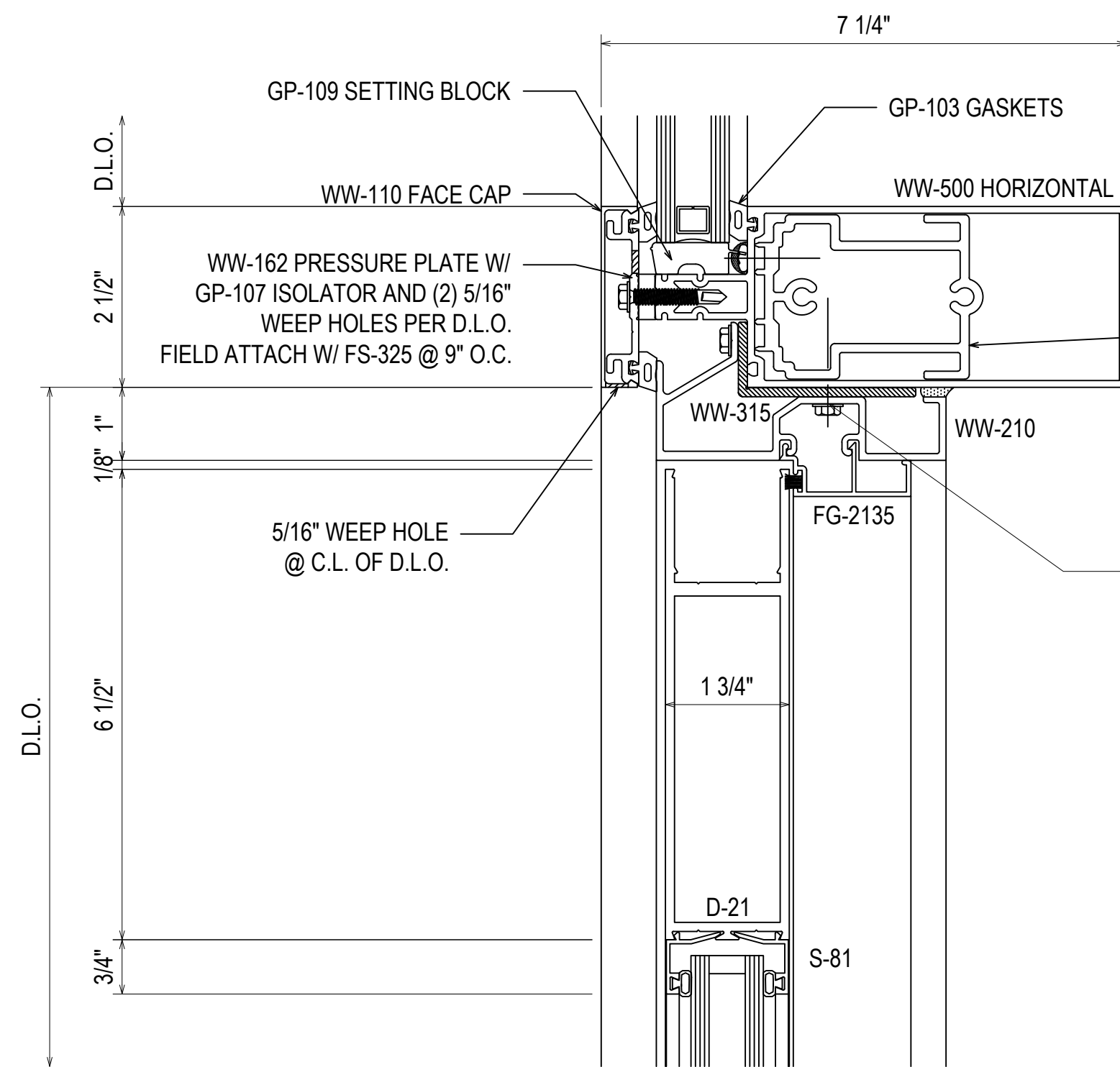


5
 3.01
 REF: N/A
 W3.1



6
 3.01
 REF: 29/A-543
 W3.1

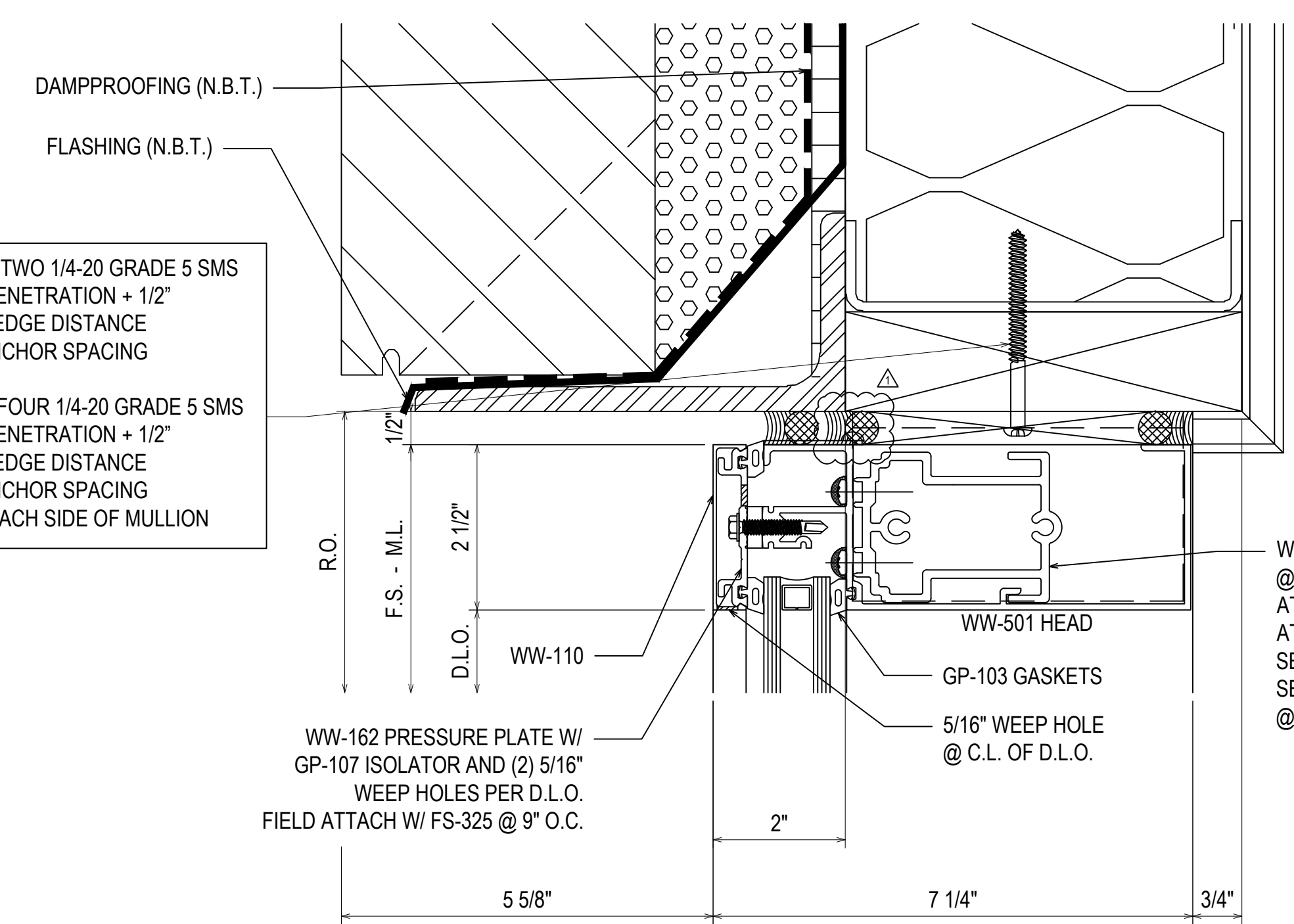
PROJECT:	JUNIOR HIGH SCHOOL 6	ERECTOR:	THE THEUT COMPANY
LOCATION:	LAMAR CISD 7500 KOEBLEN RD RICHMOND TX, 77469	NO	1317 HWY. 71 WEST COLUMBUS, TX 78934
DATE:	09.12.19	DESCRIPTION	979.732.2201
CHECKED BY:	ST	DRAWING SUBMISSION	
DRAWN BY:	RA		
DATE:	09.12.19		
CHECKED BY:	ST		
DATE:	09.12.19		
1ST SUBMISSION	09.12.19		
1ST REVISION	12.19.19		
2ND REVISION (ENGINEERING)	4.16.20		



WW-181-01 SHEAR BLOCK
ATTACH TO VERTICAL W/ FS-9, ATTACH TO
HORIZONTAL W/ FS-115. SEAL PRIOR TO
INSTALLING HORIZONTAL. SEE TOP VIEW FOR
SHEAR BLOCK AT CORNERS.

#12-24 GRADE 5 SMS WITH A MINIMUM FULL PENETRATION + 1/2"
MINIMUM 3/8" EDGE DISTANCE
SPACED 3" FROM END AND 24" O.C. THEREAFTER

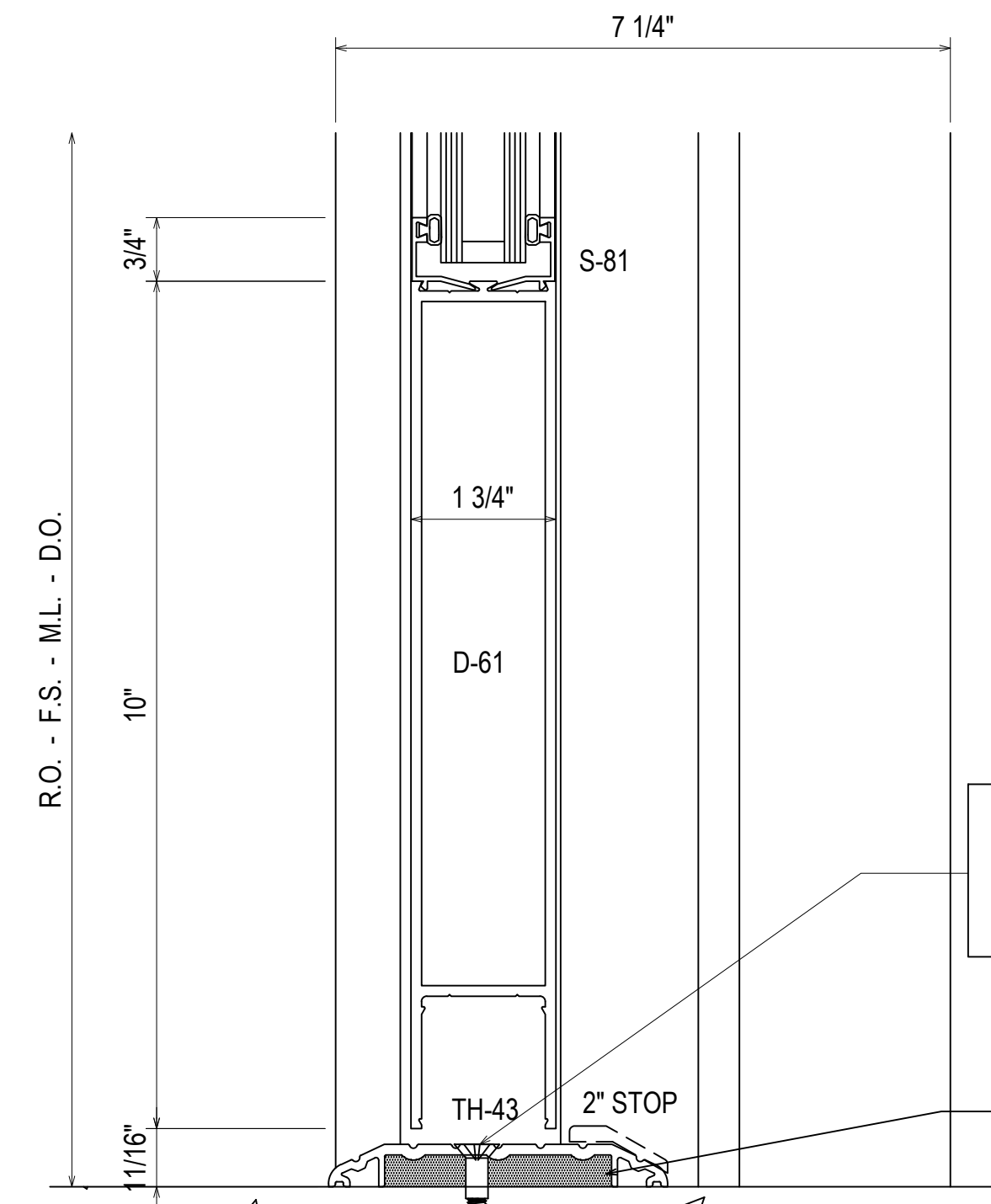
7
3.02
REF: N/A
16 - 18 - 22 - 23 - 24



F-CLIP SECURED USING TWO 1/4-20 GRADE 5 SMS
MINIMUM FULL PENETRATION + 1/2"
MINIMUM 3/4" EDGE DISTANCE
MINIMUM 1" ANCHOR SPACING

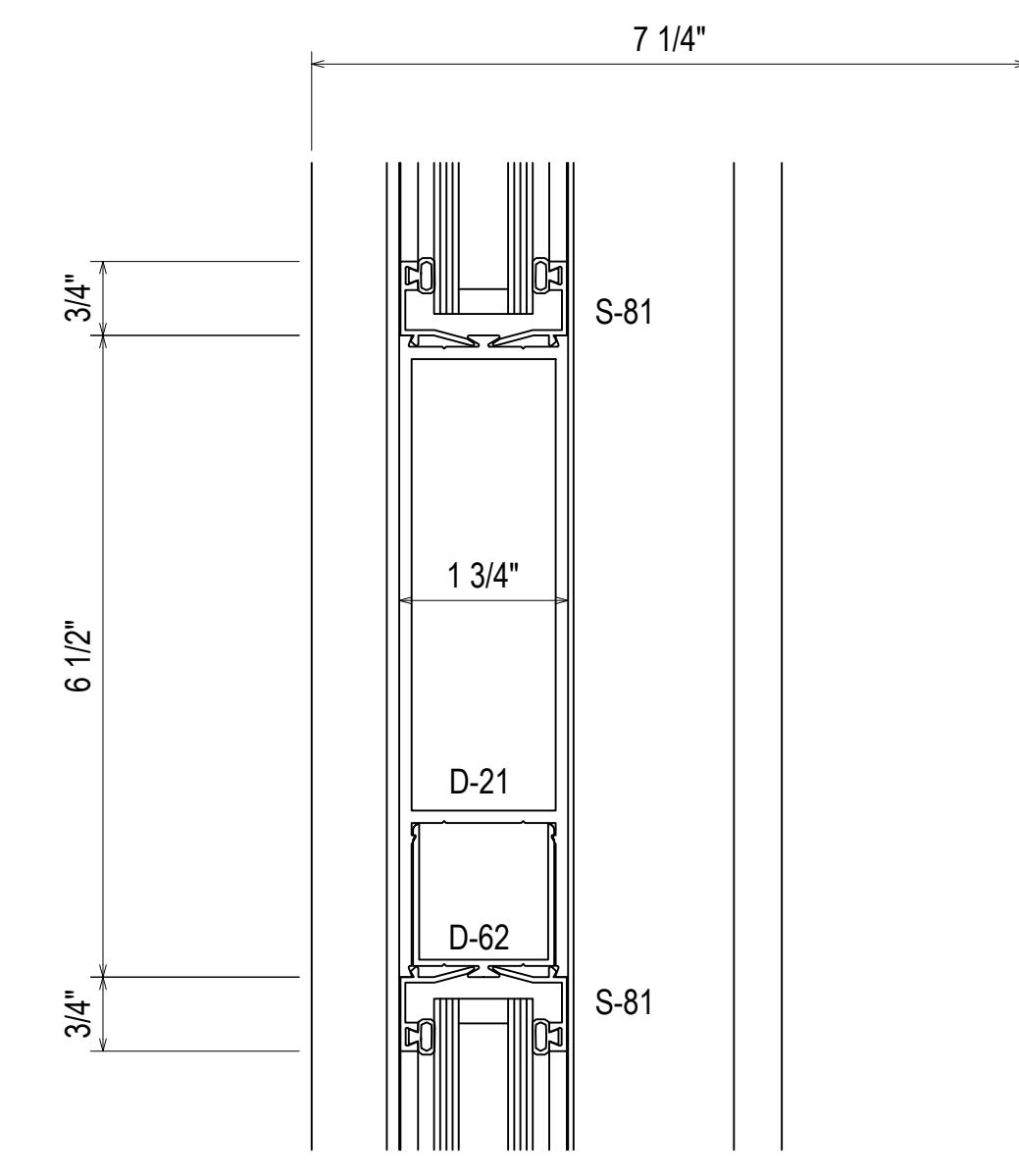
T-CLIP SECURED USING FOUR 1/4-20 GRADE 5 SMS
MINIMUM FULL PENETRATION + 1/2"
MINIMUM 3/4" EDGE DISTANCE
MINIMUM 1" ANCHOR SPACING
TWO ANCHORS ON EACH SIDE OF MULLION

10
3.02
REF: 24/A-543
W3 - W4 - W4.1 - W5 - 23
23 - 24

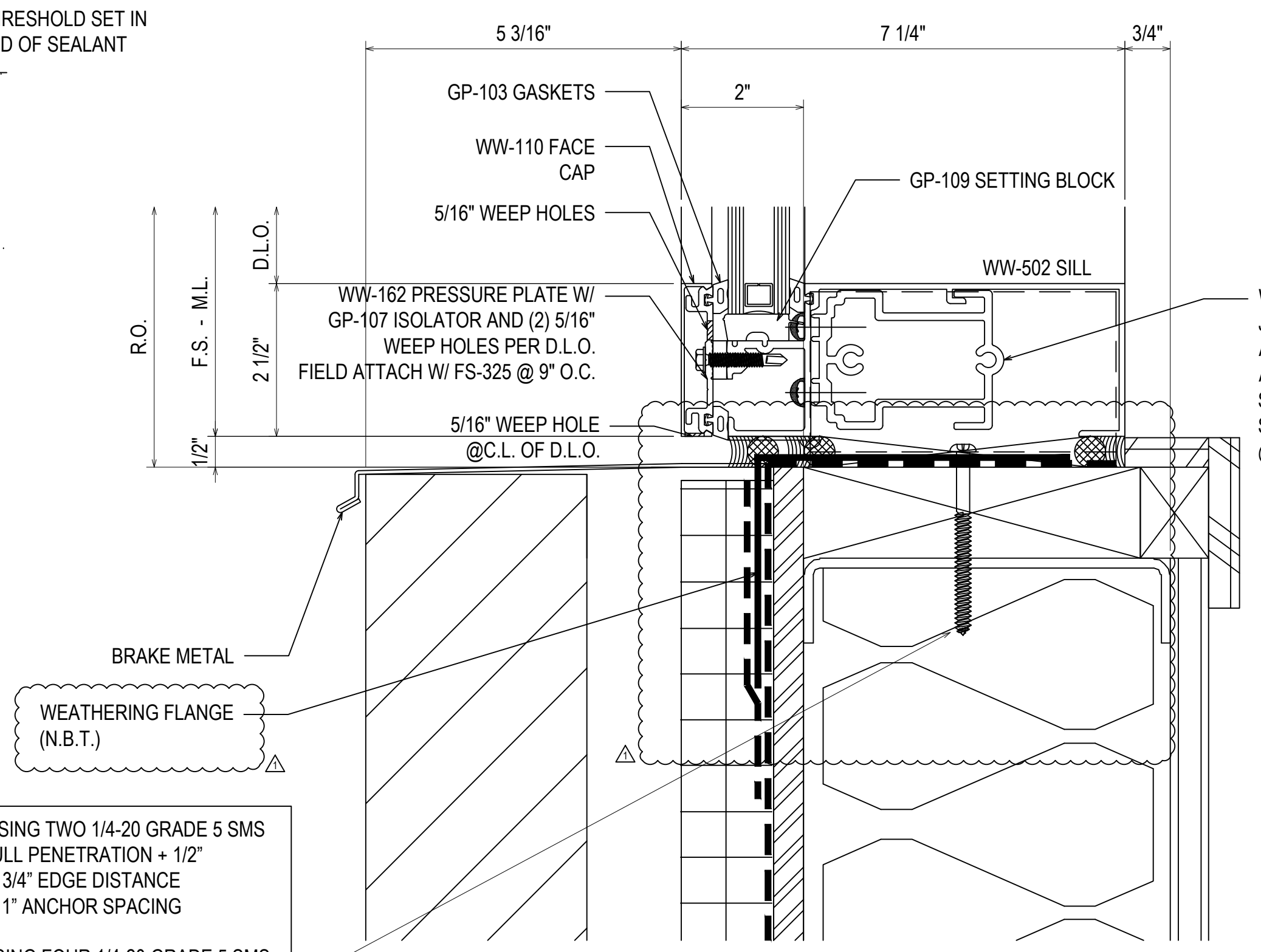


1/4" COUNTERSUNK HILTI KWIK CON II WITH MINIMUM 1-3/4" EMBEDMENT
MINIMUM 1-1/2" EDGE DISTANCE
SPACED 3" FROM END AND 18" O.C. THEREAFTER

9
3.02
REF: N/A
16 - 18 - 22 - 23 - 24



8
3.02
REF: N/A
16 - 18 - 22 - 23 - 24

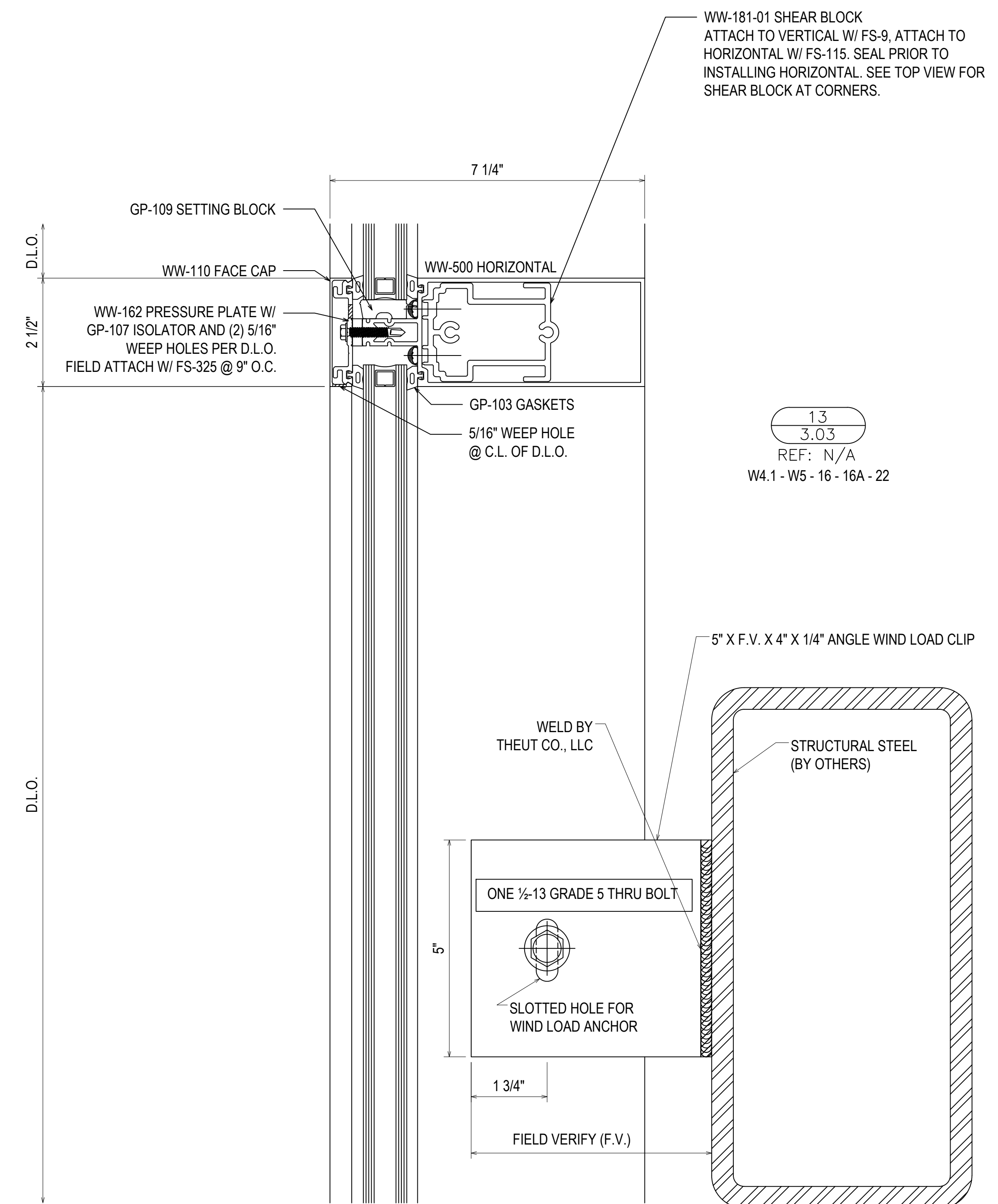
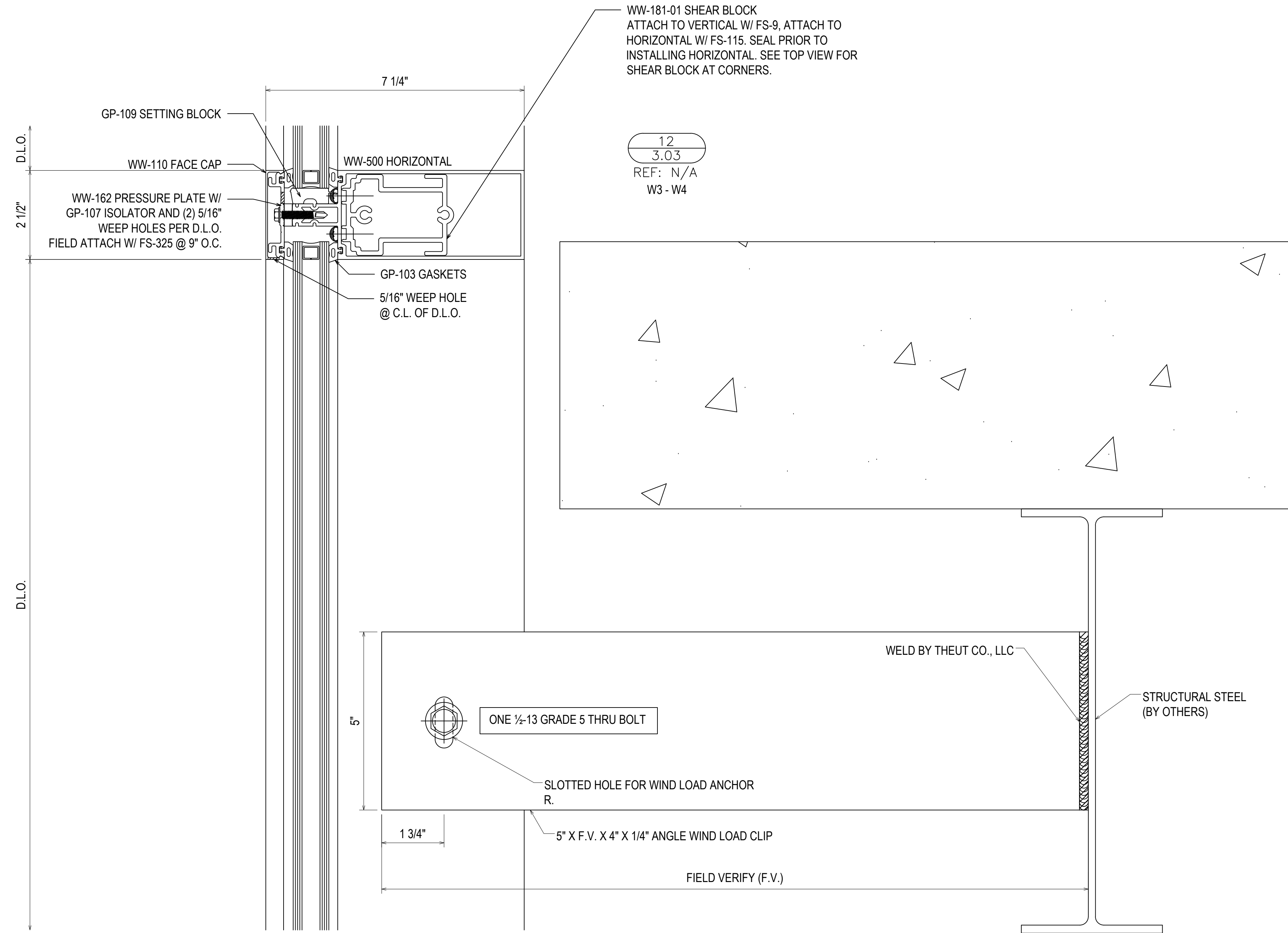


F-CLIP SECURED USING TWO 1/4-20 GRADE 5 SMS
MINIMUM FULL PENETRATION + 1/2"
MINIMUM 3/4" EDGE DISTANCE
MINIMUM 1" ANCHOR SPACING

T-CLIP SECURED USING FOUR 1/4-20 GRADE 5 SMS
MINIMUM FULL PENETRATION + 1/2"
MINIMUM 3/4" EDGE DISTANCE
MINIMUM 1" ANCHOR SPACING
TWO ANCHORS ON EACH SIDE OF MULLION

11
3.02
REF: 29/A-543
W3 - W4 - W4.1 - W5 - 23

PROJECT:	JUNIOR HIGH SCHOOL 6	DATE:	09.12.19
DRAWN BY:	LAMAR CISD	CHECKED BY:	ST
LOCATION:	7500 KOEBLEN RD	DATE:	09.12.19
	RICHMOND TX, 77469		
ERECTOR:	THE THEUT COMPANY 1317 HWY. 71 WEST COLUMBUS, TX 78934 979.732.2201	DESCRIPTION:	DRAWING SUBMISSION
1ST SUBMISSION	09.12.19	NO	
1ST REVISION	12.19.19	NO	
2ND REVISION (ENGINEERING)	4.16.20	NO	



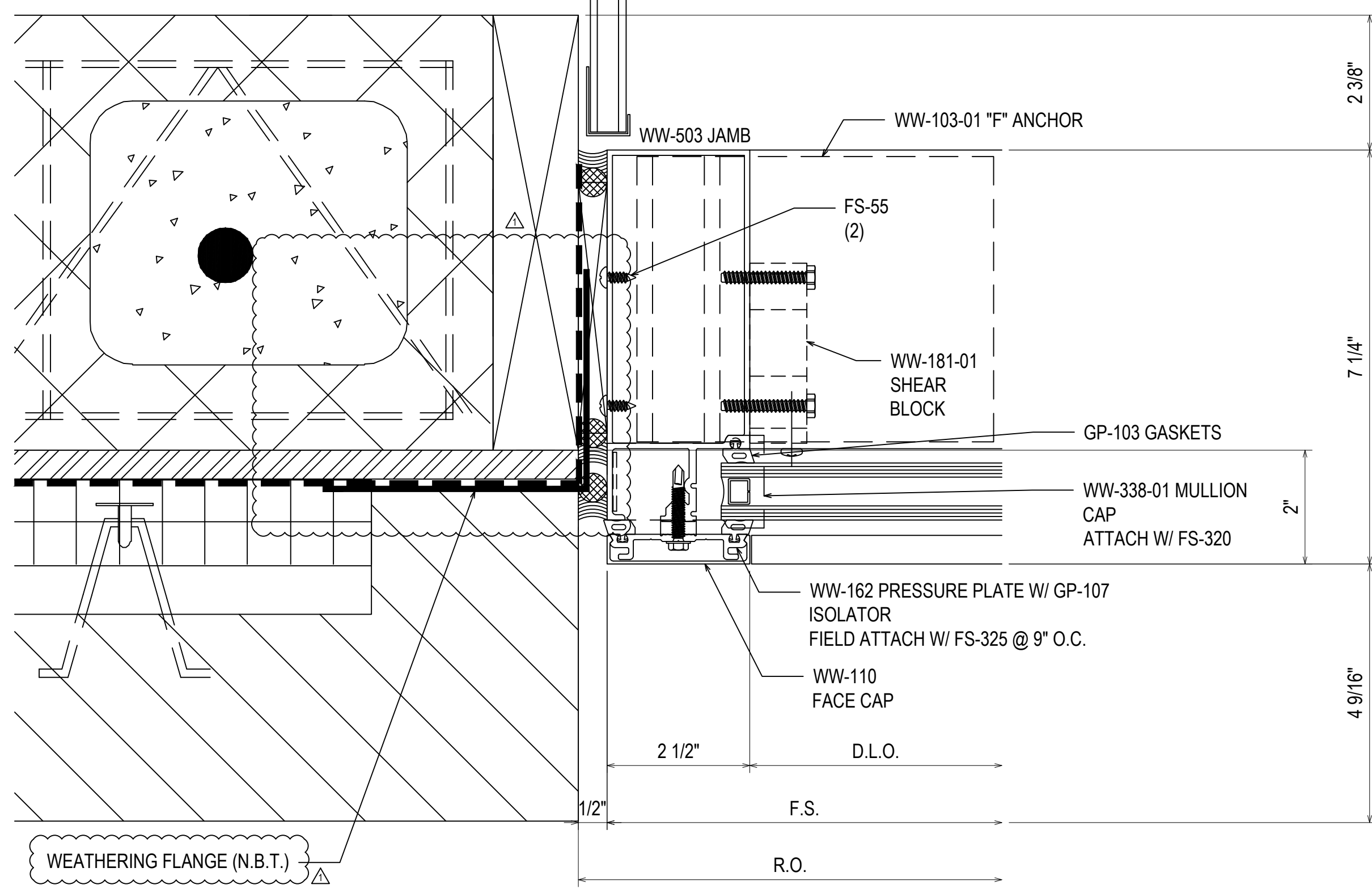
1ST SUBMISSION	09.12.19
1 1ST REVISION	12.19.19
2 2ND REVISION (ENGINEERING)	4.16.20
NO	DATE
DRAWING SUBMISSION	

ERECTOR:
THE THEUT COMPANY
1317 HWY. 71 WEST
COLUMBUS, TX 78934
979.732.2201

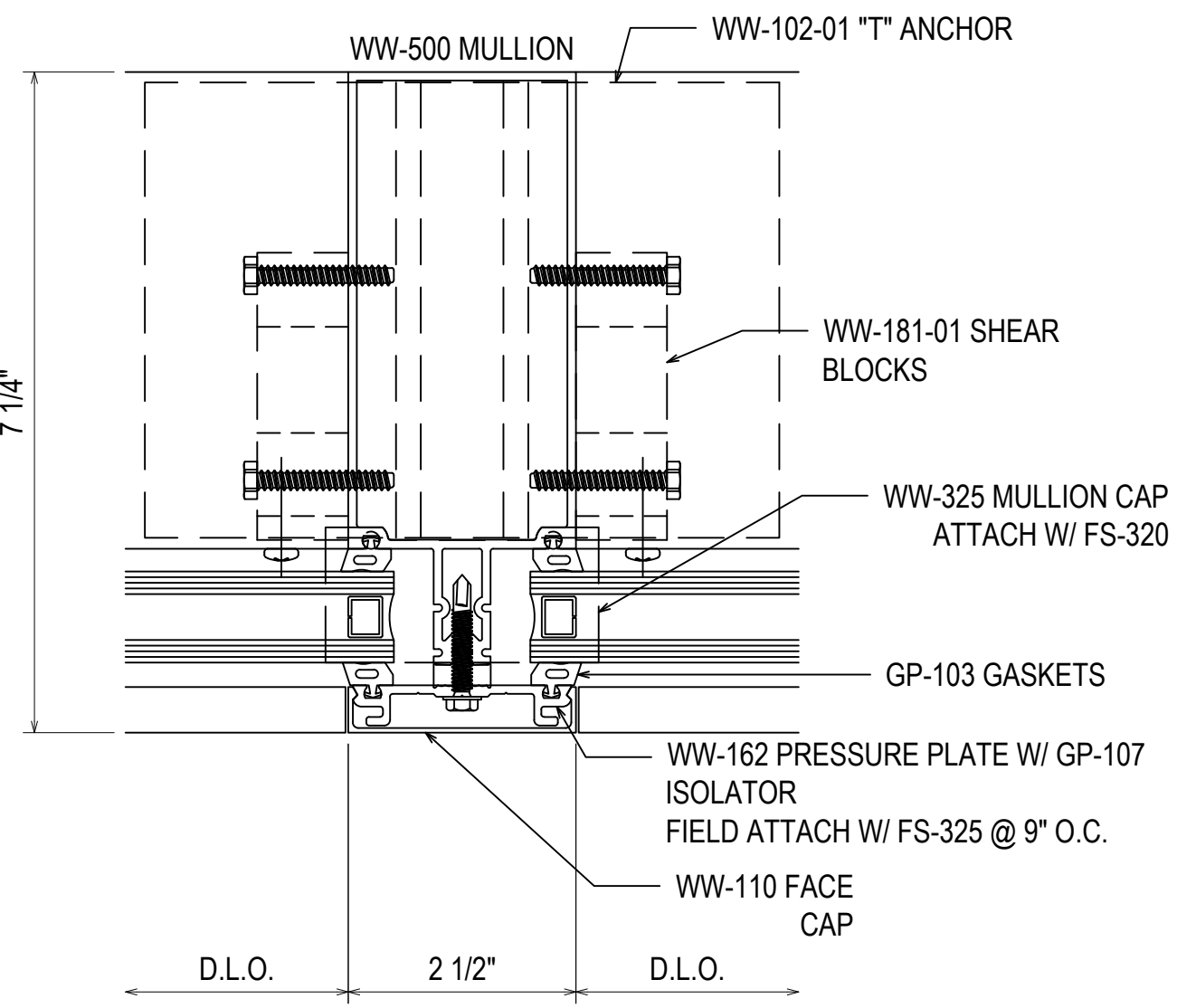
PROJECT: JUNIOR HIGH SCHOOL 6
LAMAR CISD
LOCATION: 7500 KOEBLEN RD
RICHMOND TX, 77469

DRAWN BY: RA	DATE: 09.12.19
CHECKED BY: ST	DATE: 09.12.19

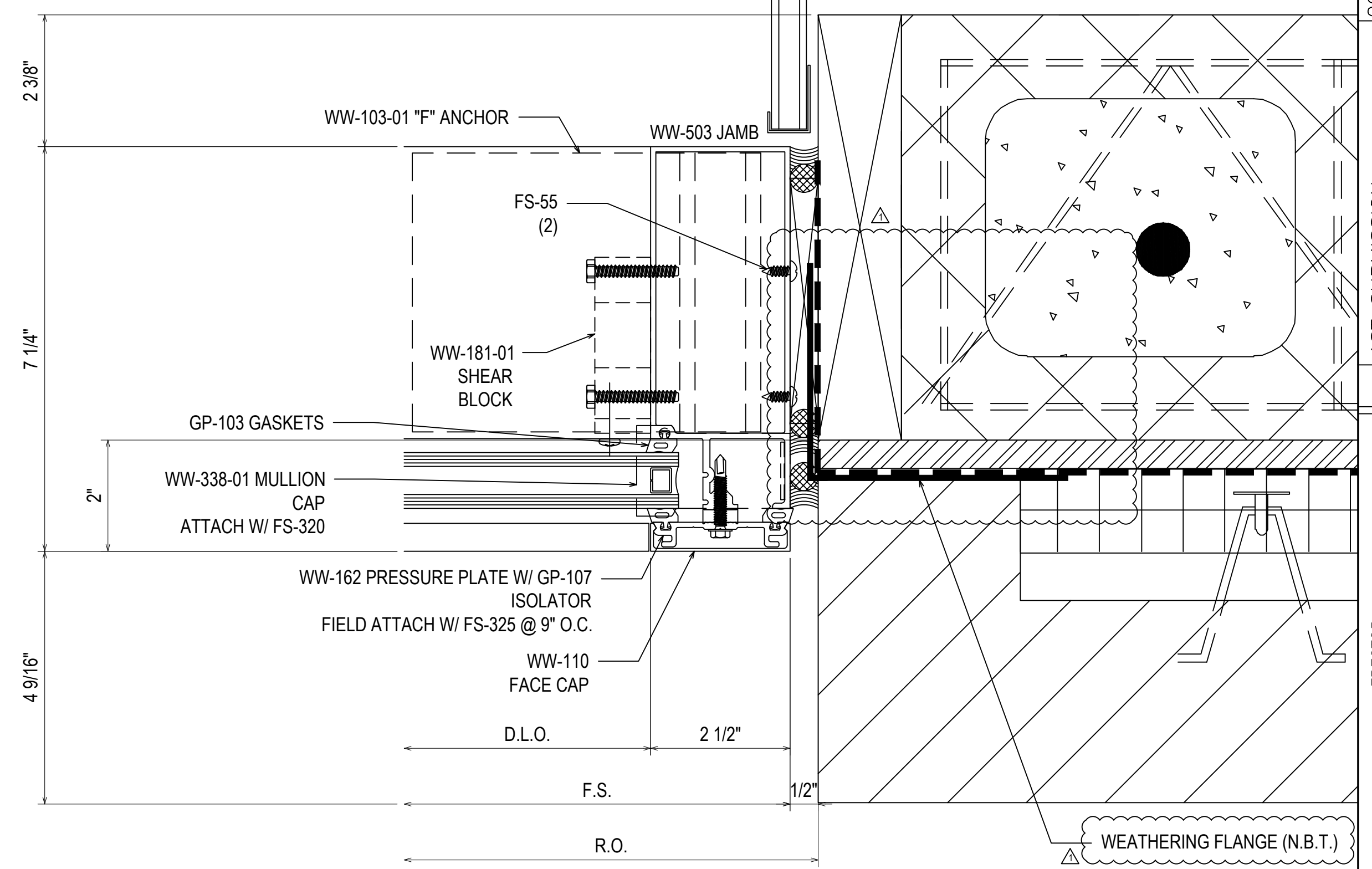
3.03



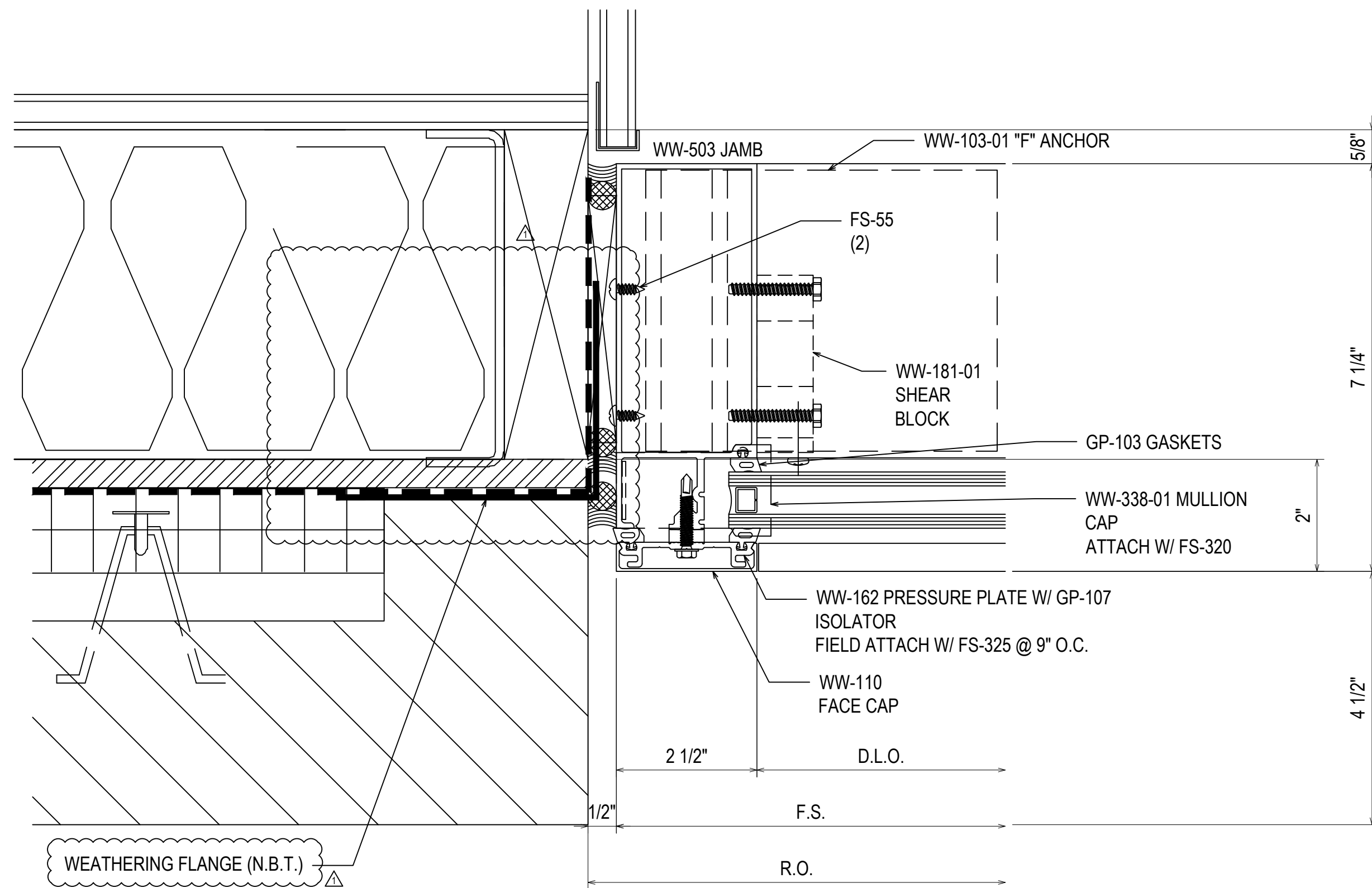
14
3.04
REF: 12/A-543
W2-16-18



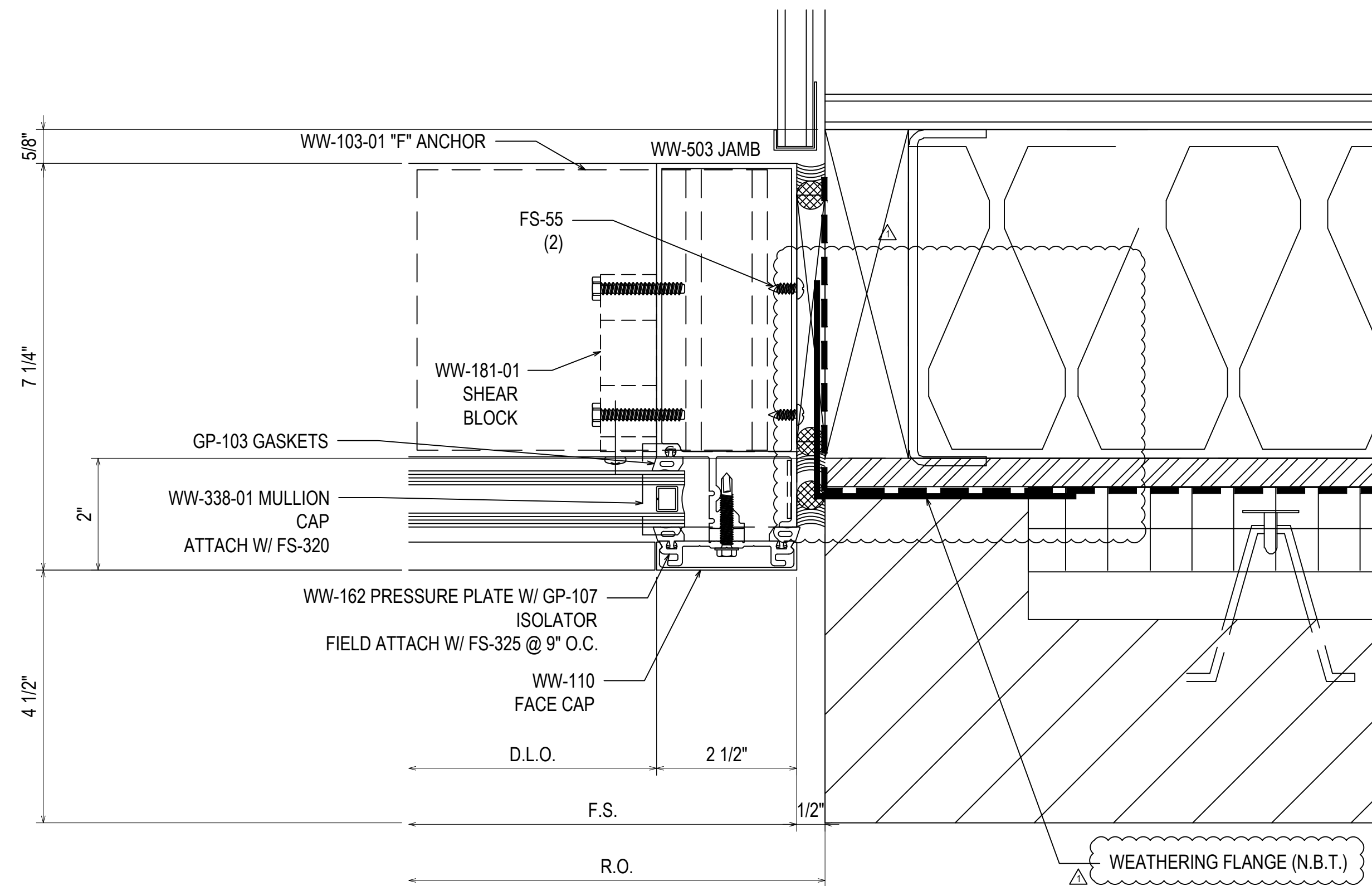
15
3.04
REF: N/A
TYPICAL



16
3.04
REF: 12/A-543
W2-16-18



17
3.04
REF: 23/A-543
W3-W4-W4.1-W5-22
23-24



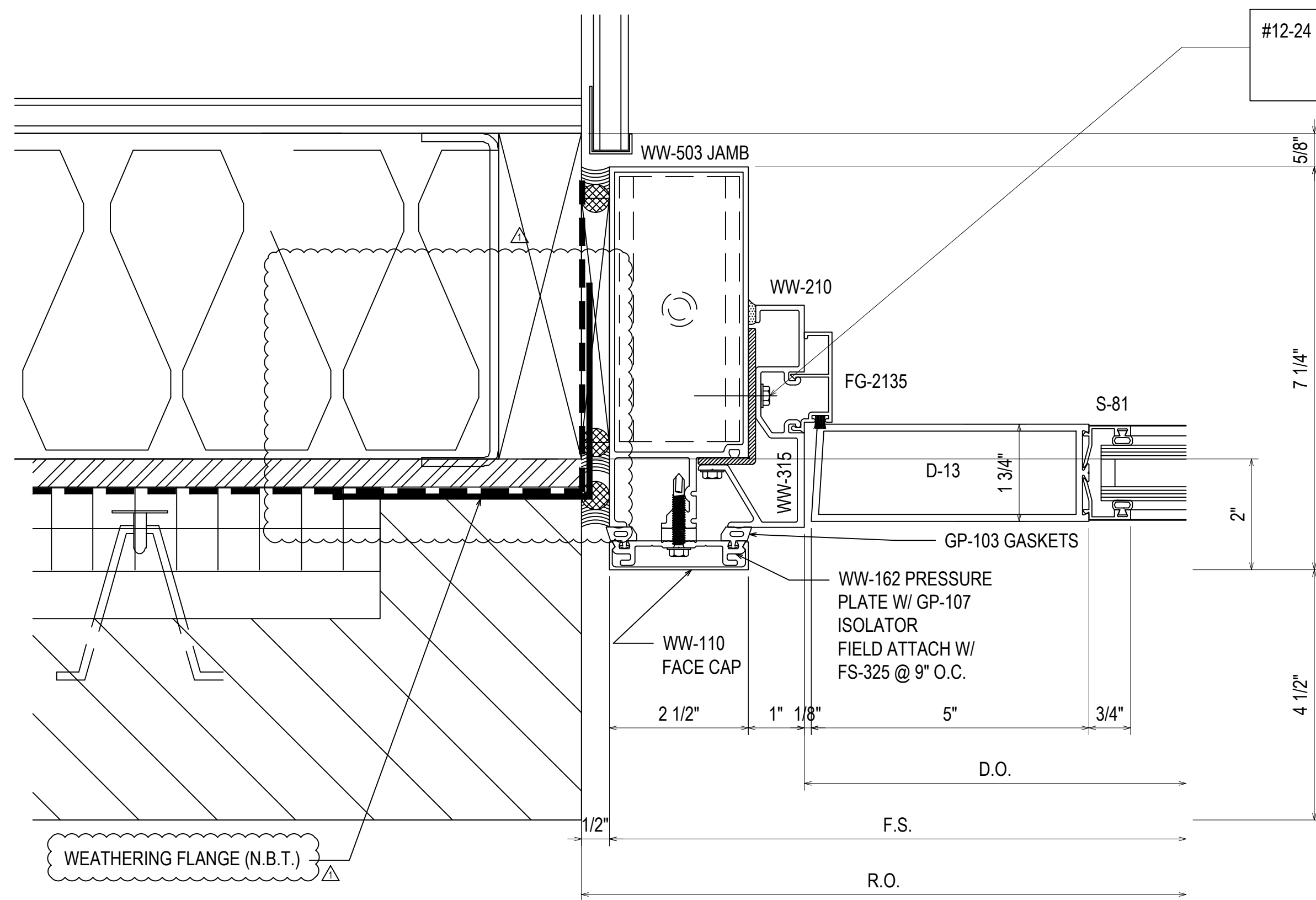
18
3.04
REF: 23/A-543
W3-W4-W4.1-W5-22
23-24

09.12.19	1ST SUBMISSION	DATE
12.19.19	1ST REVISION	DATE
4.16.20	2ND REVISION (ENGINEERING)	DATE
NO	DESCRIPTION	NO
	DRAWING SUBMISSION	

ERECTOR:
THE THEUT COMPANY
1317 HWY. 71 WEST
COLUMBUS, TX 78934
979.732.2201

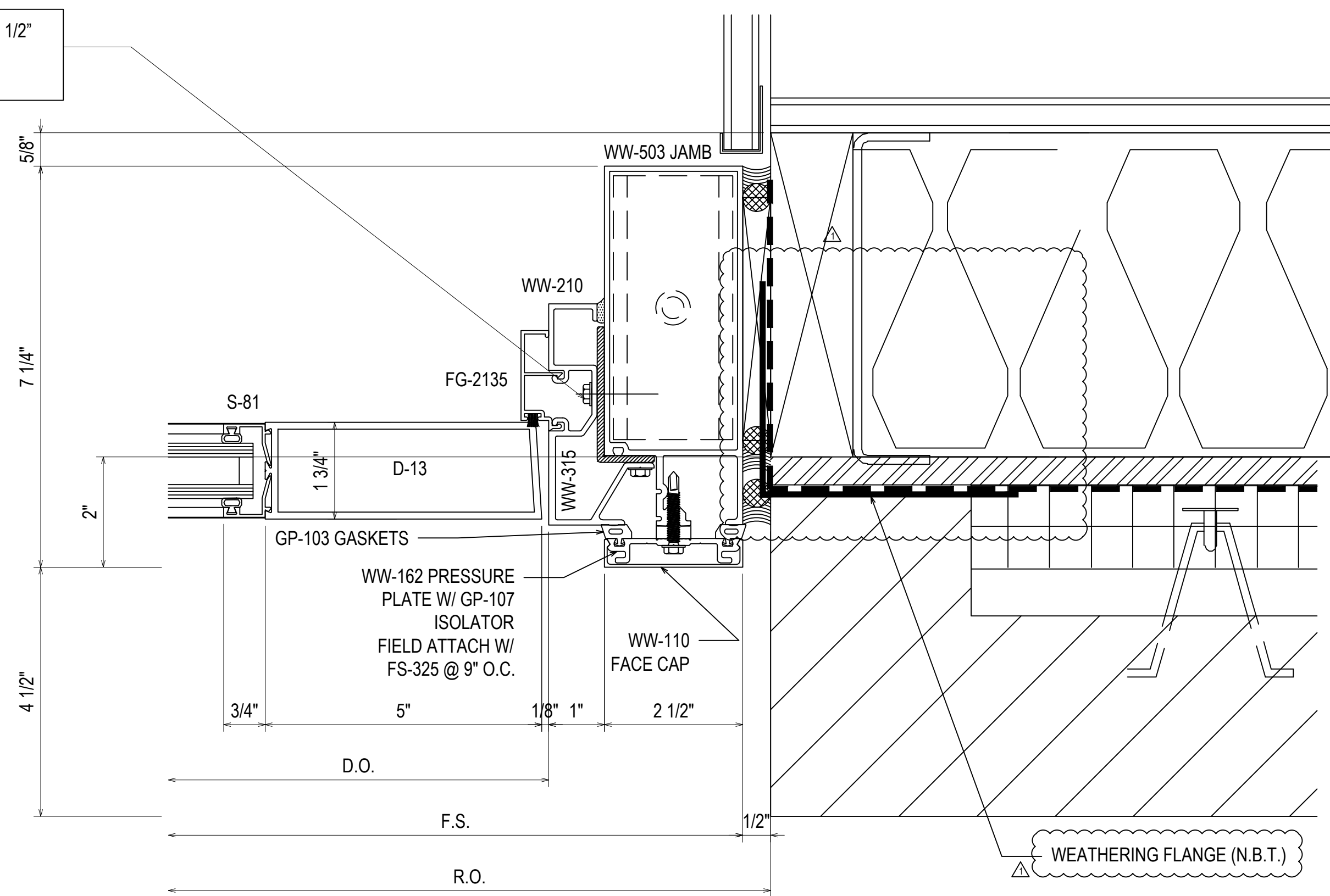
PROJECT: JUNIOR HIGH SCHOOL 6
LAMAR CISD
LOCATION: 7500 KOEBLEN RD
RICHMOND TX, 77469

DRAWN BY: RA	DATE: 09.12.19
CHECKED BY: ST	DATE: 09.12.19

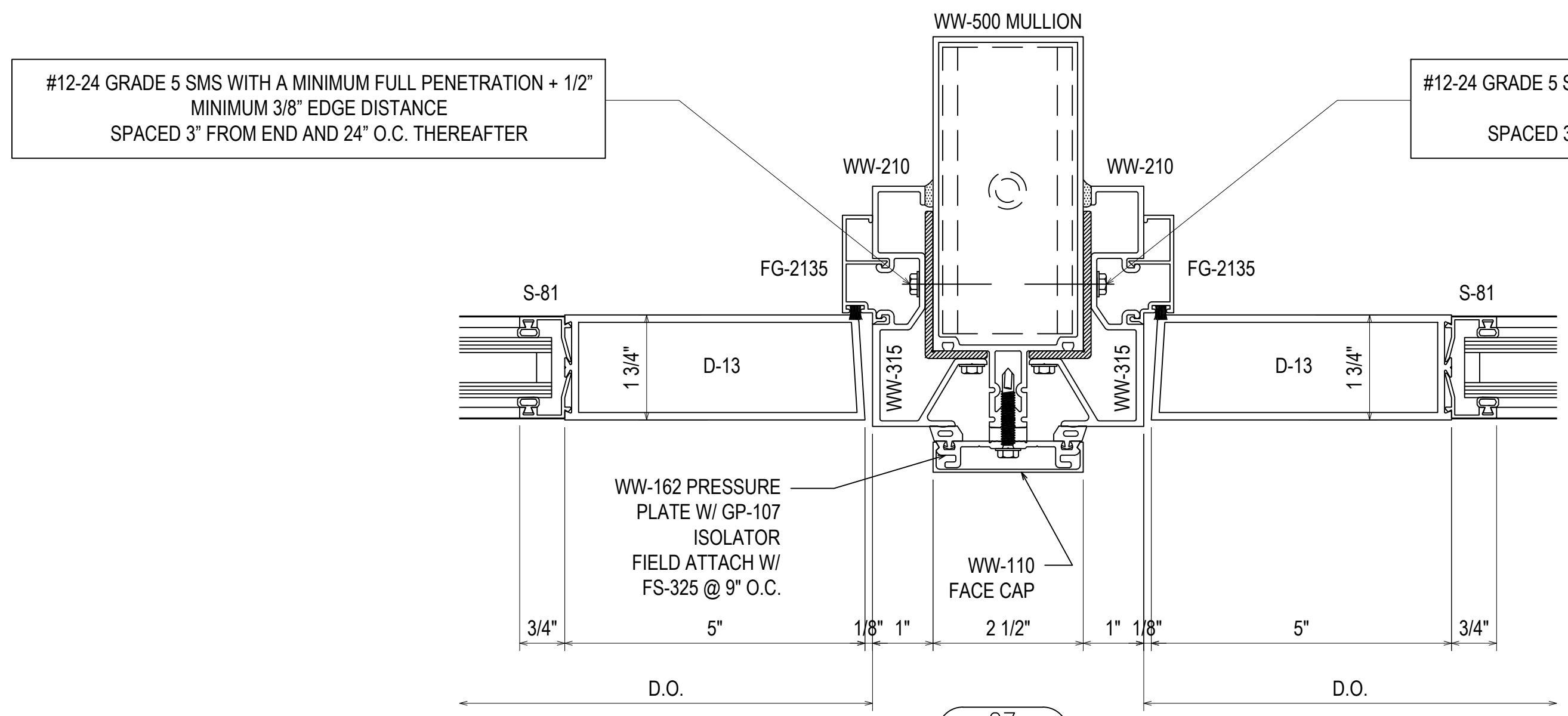


#12-24 GRADE 5 SMS WITH A MINIMUM FULL PENETRATION + 1/2"
MINIMUM 3/8" EDGE DISTANCE
SPACED 3" FROM END AND 24" O.C. THEREAFTER

25
3.06
REF: 23/A-543
22-23-24



26
3.06
REF: 23/A-543
22-23-24



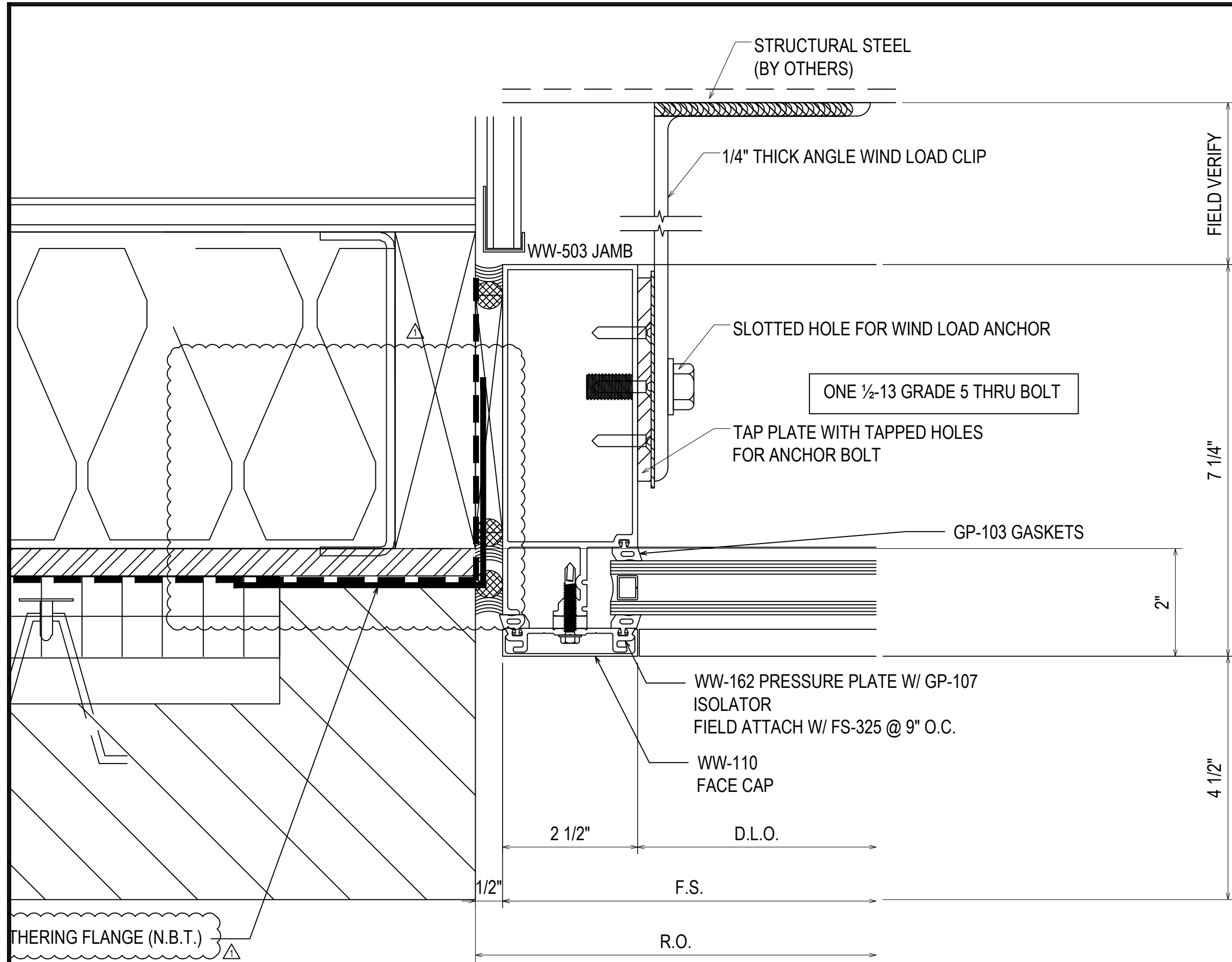
#12-24 GRADE 5 SMS WITH A MINIMUM FULL PENETRATION + 1/2"
MINIMUM 3/8" EDGE DISTANCE
SPACED 3" FROM END AND 24" O.C. THEREAFTER

#12-24 GRADE 5 SMS WITH A MINIMUM FULL PENETRATION + 1/2"
MINIMUM 3/8" EDGE DISTANCE
SPACED 3" FROM END AND 24" O.C. THEREAFTER

27
3.06
REF: N/A
16-22-24

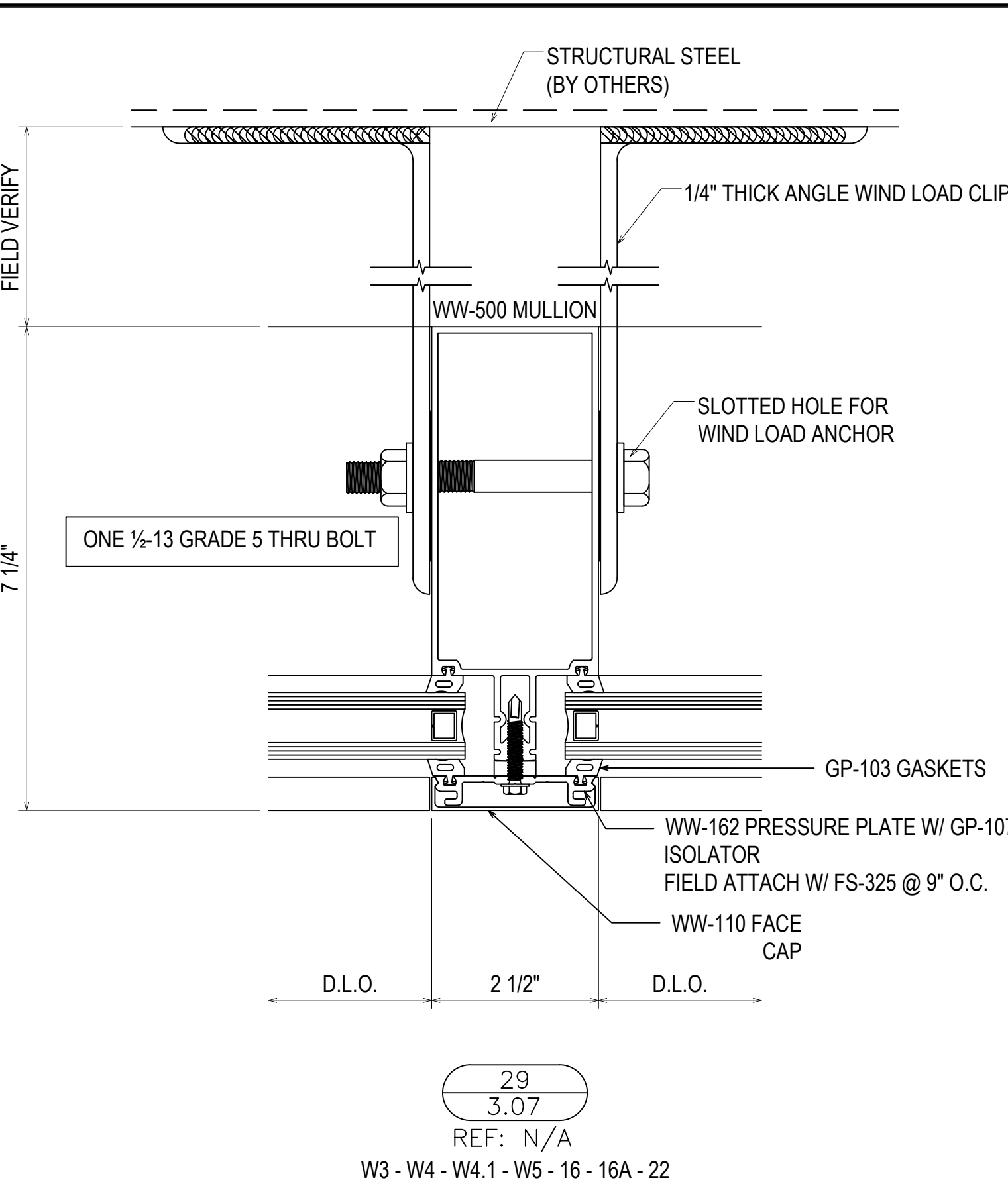
PROJECT:	JUNIOR HIGH SCHOOL 6	ERECTOR:	THE THEUT COMPANY
	LAMAR CISD		1317 HWY. 71 WEST
			COLUMBUS, TX 78934
			979.732.2201
LOCATION:	7500 KOEBLEN RD	DATE:	09.12.19
	RICHMOND TX, 77469	CHECKED BY:	ST
		DATE:	09.12.19
		DESCRIPTION:	DRAWING SUBMISSION
		NO	
		1ST SUBMISSION	09.12.19
		1ST REVISION	12.19.19
		2ND REVISION (ENGINEERING)	4.16.20

3.06



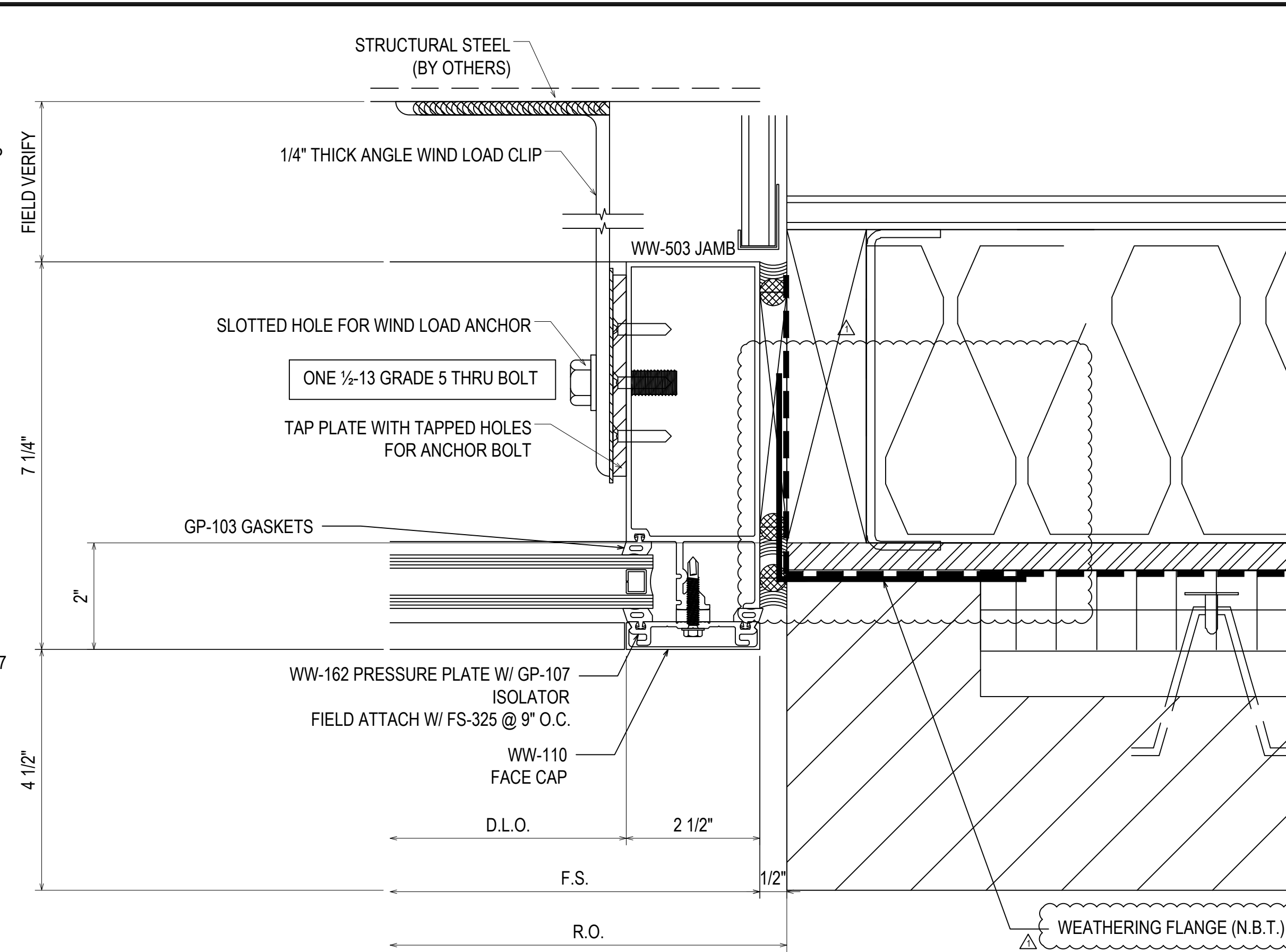
28
3.07

REF: 23/A-543
W3 - W4 - W4.1 - W5 - 16 - 16A - 22



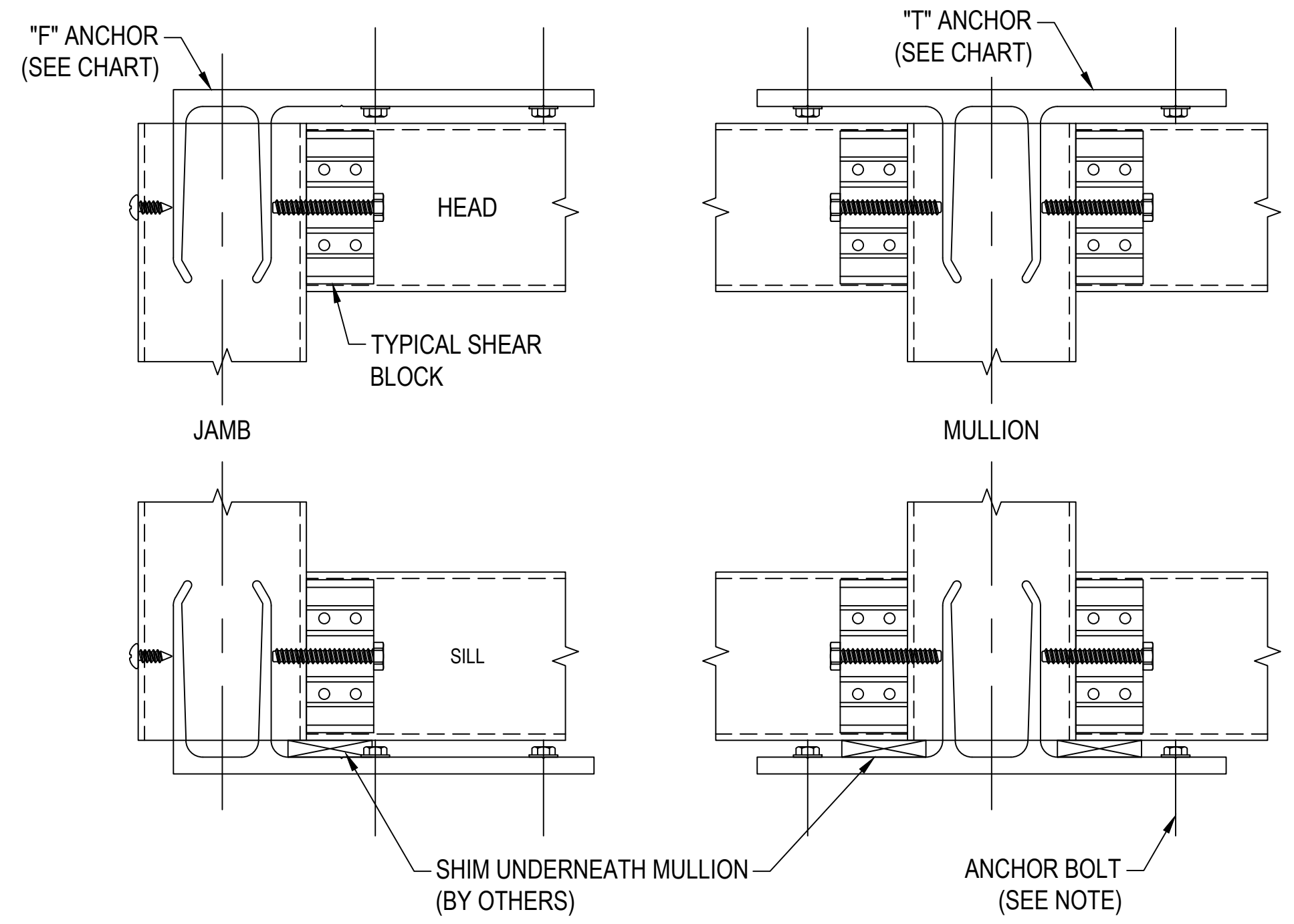
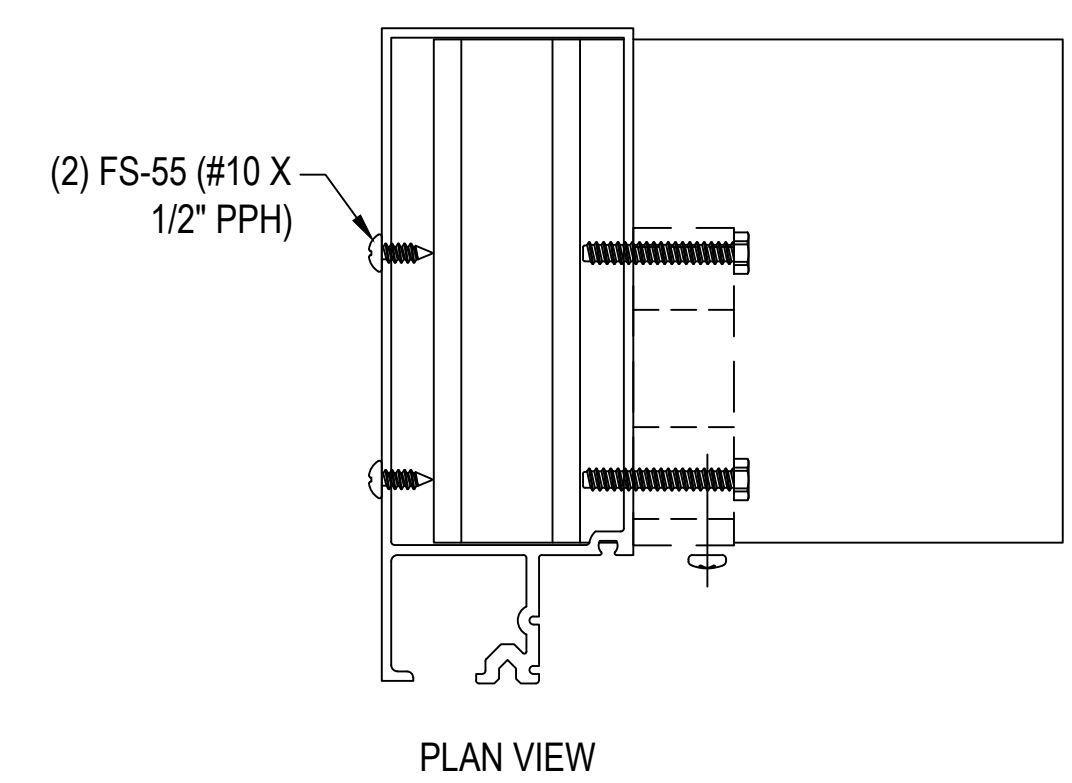
29
3.07

REF: N/A
W3 - W4 - W4.1 - W5 - 16 - 16A - 22



30
3.07

REF: 23/A-543
W3 - W4 - W4.1 - W5 - 16 - 16A - 22



31
3.07

REF: N/A
TYPICAL "T" & "F" ANCHORS

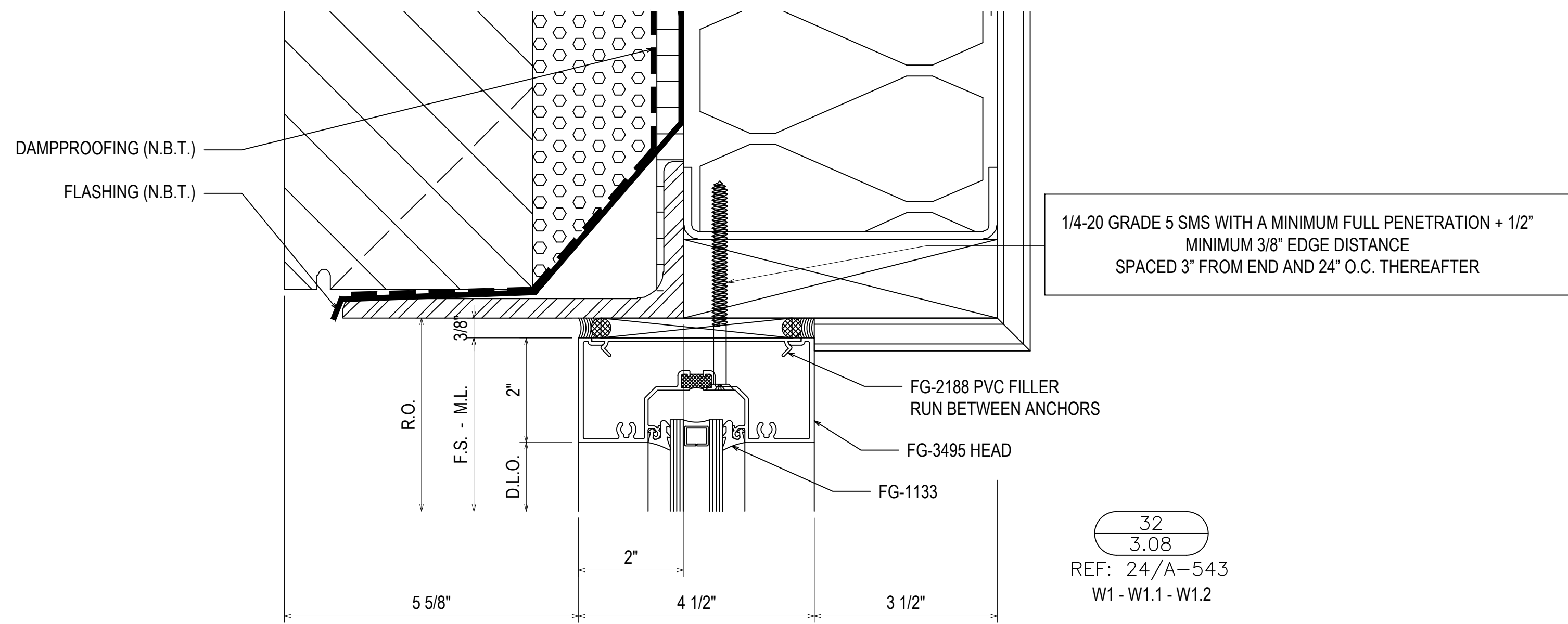
"F" ANCHOR CHART	
PART NO.	MULLION
WW-103-01	WW-500 / WW-503 / WW-550 / WW-553
WW-103-02	WW-504 / WW-510 / WW-560
WW-103-03	WW-400 / WW-403 / WW-450 / WW-453
WW-103-04	WW-404 / WW-410 / WW-460
WW-106-01	WW-800 / WW-804 / WW-850
WW-106-02	WW-810

"T" ANCHOR CHART	
PART NO.	MULLION
WW-102-01	WW-500 / WW-550
WW-102-02	WW-504 / WW-510 / WW-560
WW-102-03	WW-400 / WW-450
WW-102-04	WW-404 / WW-410 / WW-460
WW-102-05	WW-240 (90° CORNER)
WW-102-06	WW-230 (135° CORNER)
WW-102-07	WW-241 (135° INSIDE SSG CORNER)
WW-105-01	WW-800 / WW-804 / WW-850
WW-105-02	WW-810
WW-105-06	WW-1175 (90° OUTSIDE CORNER)

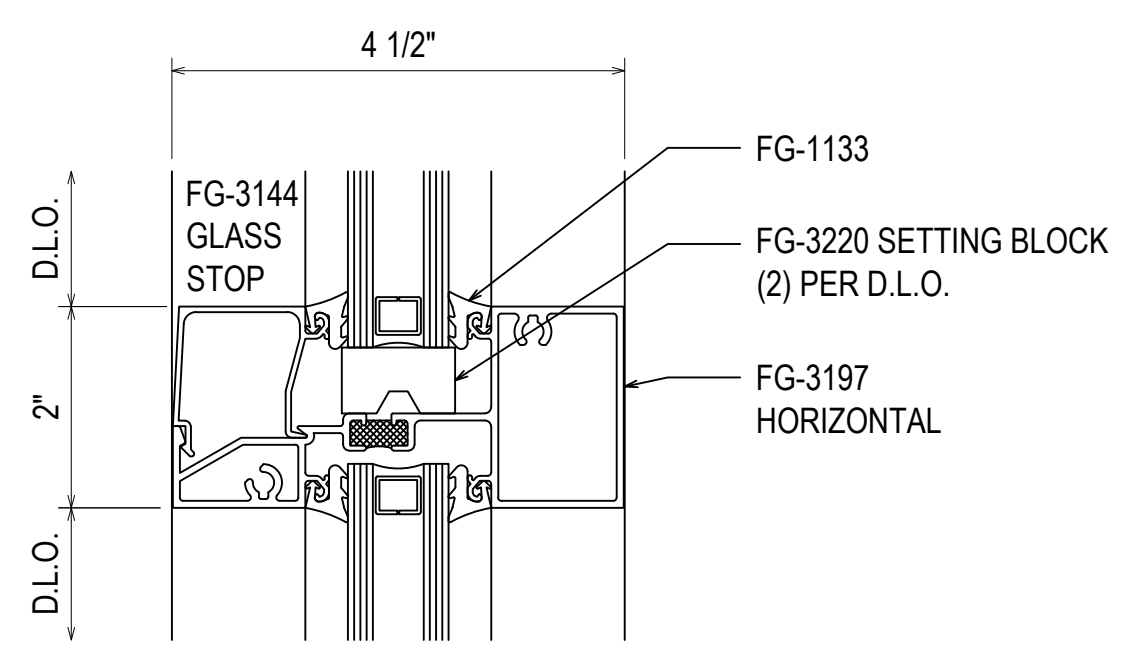
09.12.19	1ST SUBMISSION	ERECTOR:	THE THEUT COMPANY 1317 HWY. 71 WEST COLUMBUS, TX 78934 979.732.2201
12.19.19	1 1ST REVISION		
4.16.20	2 2ND REVISION (ENGINEERING)		
	NO	DESCRIPTION	DRAWING SUBMISSION
		DATE	

PROJECT:	JUNIOR HIGH SCHOOL 6
LOCATION:	LAMAR CISD 7500 KOEBLEN RD RICHMOND TX, 77469
DRAWN BY:	RA
CHECKED BY:	ST
DATE:	09.12.19
DATE:	09.12.19

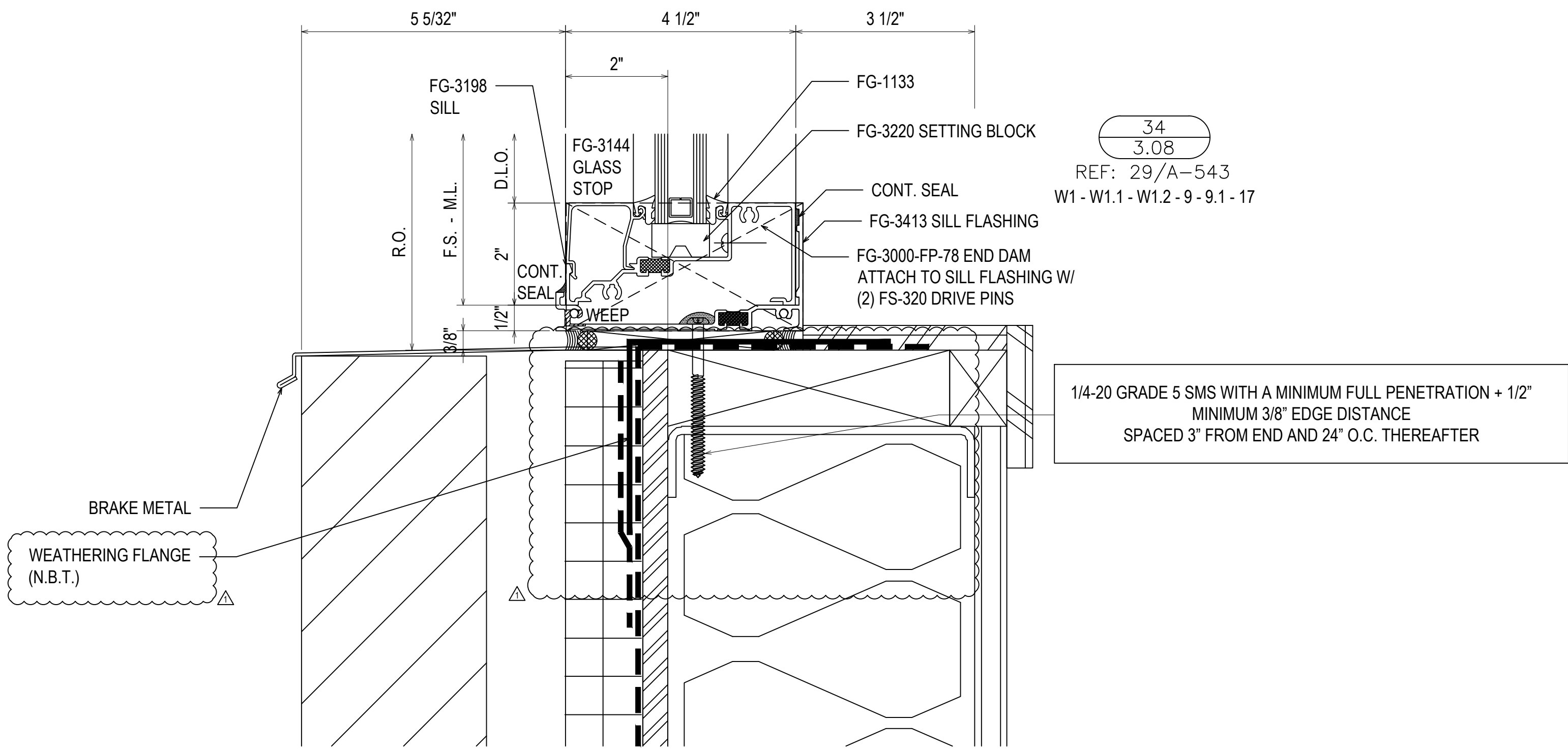
3.07



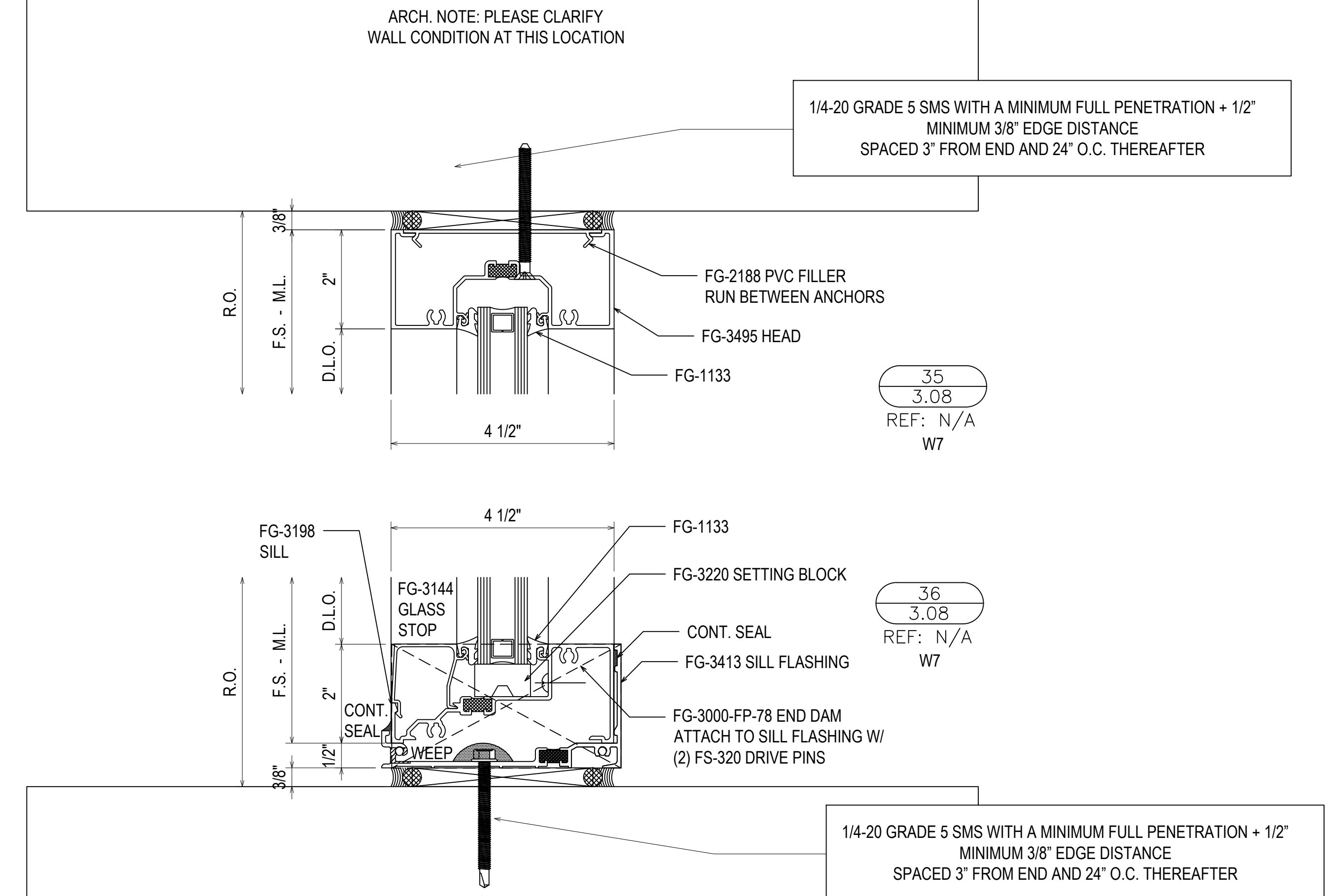
32
3.08
REF: 24/A-543
W1 - W1.1 - W1.2



33
3.08
REF: N/A
TYPICAL

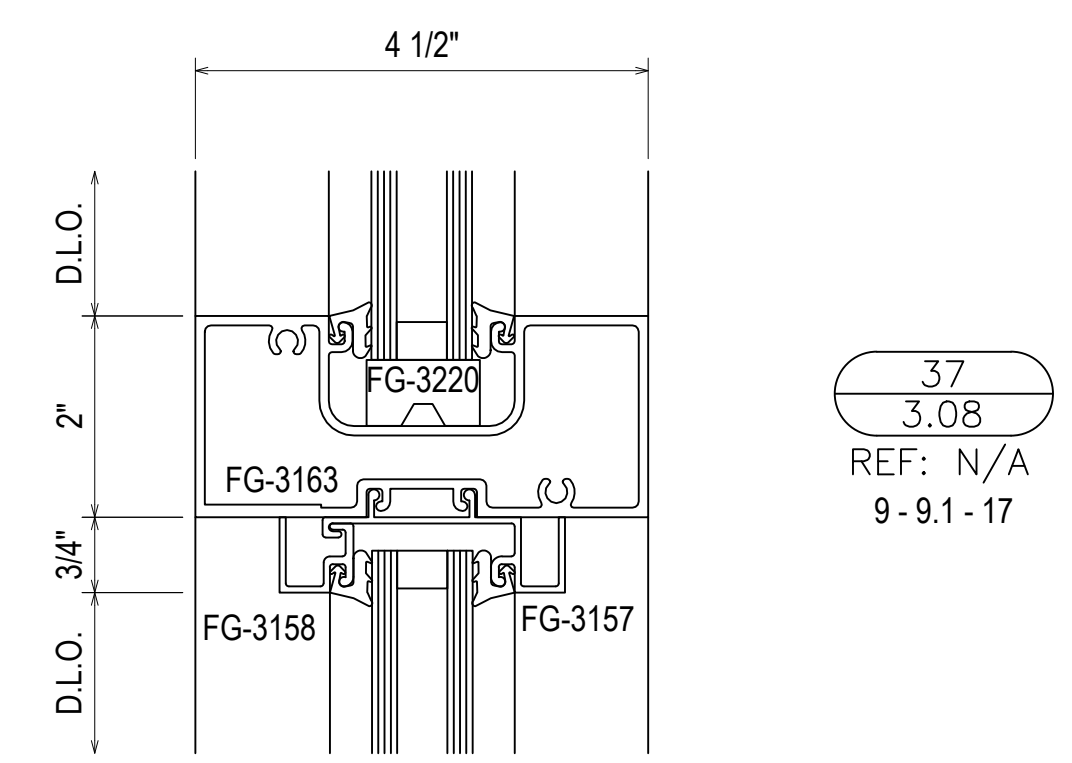


34
3.08
REF: 29/A-543
W1 - W1.1 - W1.2 - 9 - 9.1 - 17



35
3.08
REF: N/A
W7

36
3.08
REF: N/A
W7



37
3.08
REF: N/A
9 - 9.1 - 17

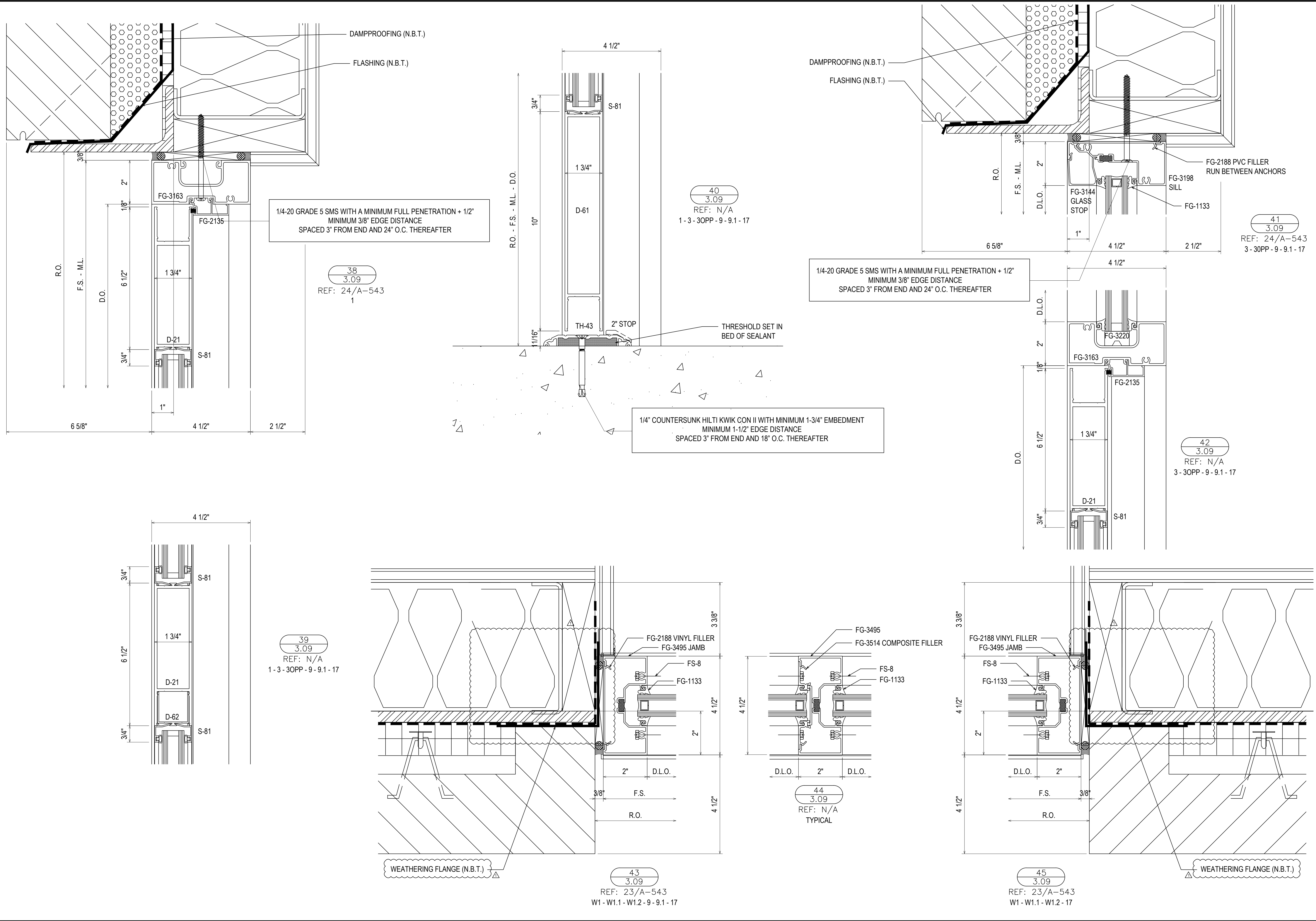
1ST SUBMISSION	09.12.19
1ST REVISION	12.19.19
2ND REVISION (ENGINEERING)	4.16.20
NO	DATE
NO	DESCRIPTION
NO	DRAWING SUBMISSION

ERECTOR:
THE THEUT COMPANY
1317 HWY. 71 WEST
COLUMBUS, TX 78934
979.732.2201

PROJECT: JUNIOR HIGH SCHOOL 6
LAMAR CISD
LOCATION: 7500 KOEBLEN RD
RICHMOND TX, 77469

DRAWN BY: RA DATE: 09.12.19
CHECKED BY: ST DATE: 09.12.19

3.08



1/4-20 GRADE 5 SMS WITH A MINIMUM FULL PENETRATION + 1/2" MINIMUM 3/8" EDGE DISTANCE SPACED 3" FROM END AND 24" O.C. THEREAFTER

1/4" COUNTERSUNK HILTI KWIK CON II WITH MINIMUM 1-3/4" EMBEDMENT MINIMUM 1-1/2" EDGE DISTANCE SPACED 3" FROM END AND 18" O.C. THEREAFTER

39
3.09
REF: N/A
1-3-30PP-9-9.1-17

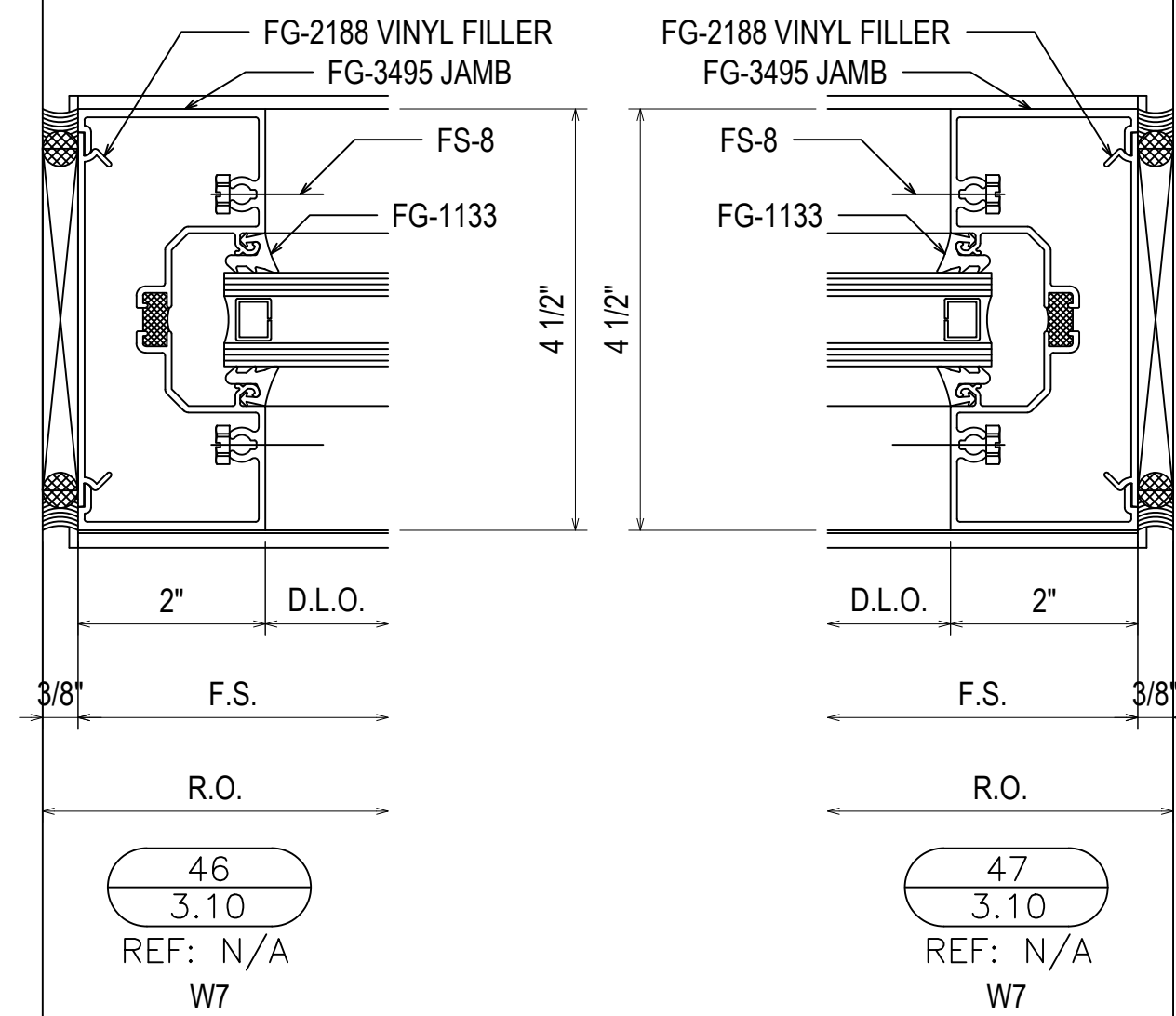
43
3.09
REF: 23/A-543
W1-W1.1-W1.2-9-9.1-17

44
3.09
REF: N/A
TYPICAL

45
3.09
REF: 23/A-543
W1-W1.1-W1.2-17

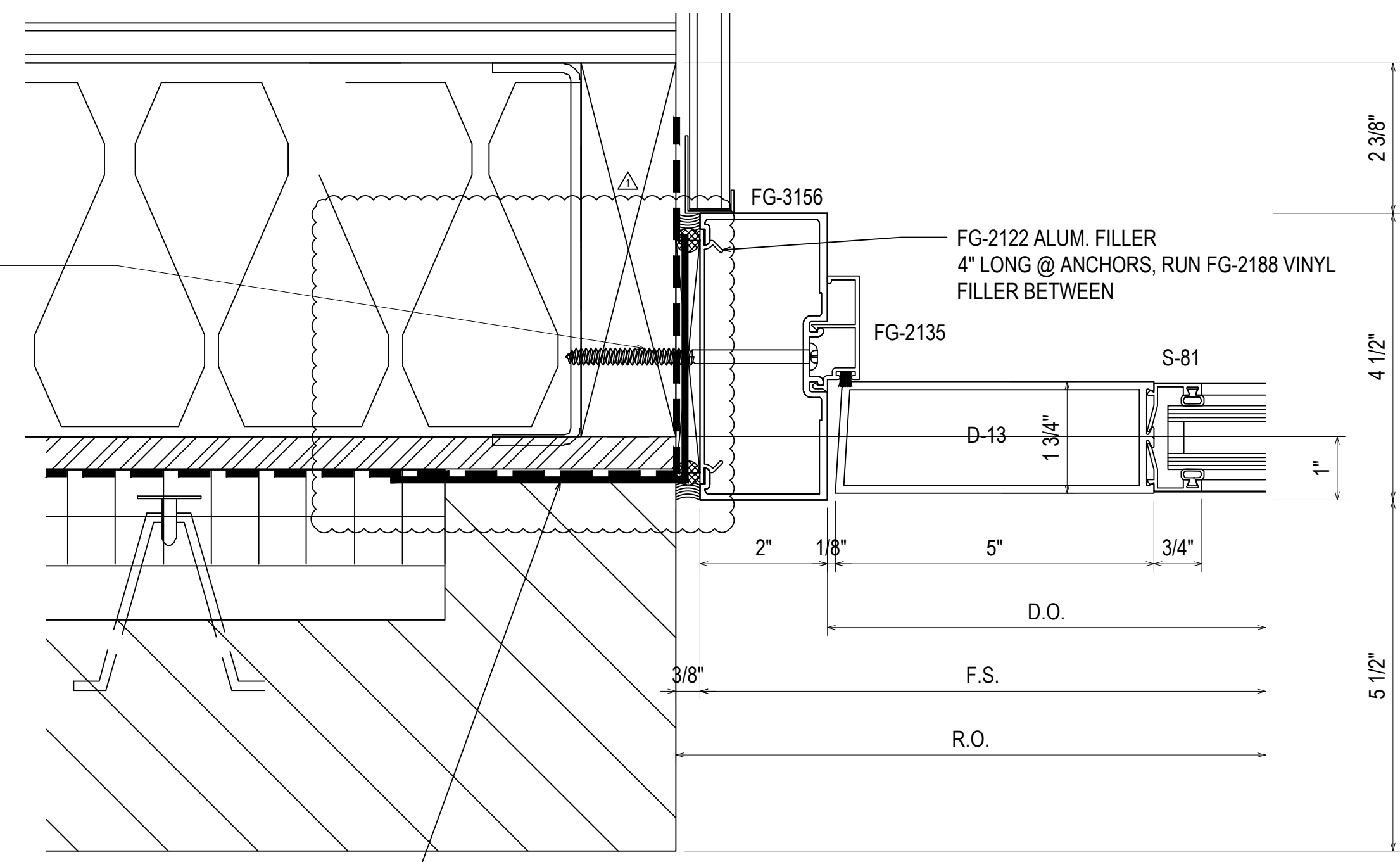
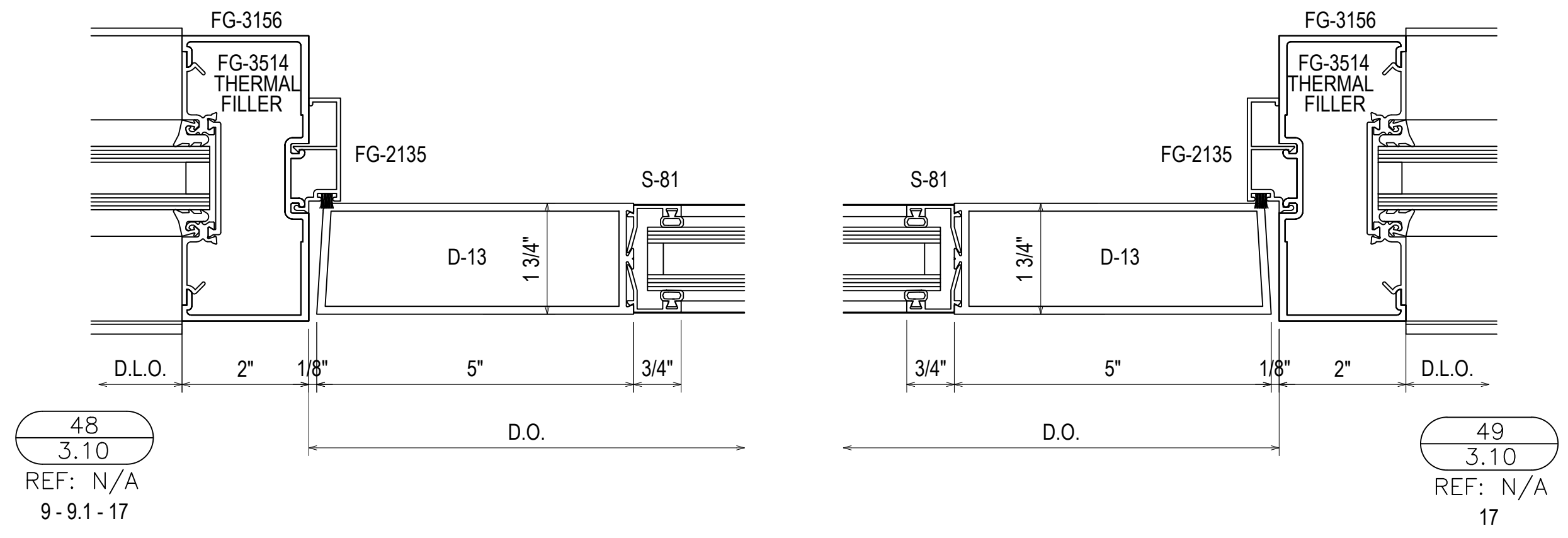
09.12.19	1ST SUBMISSION	ERECTOR:	THE THEUT COMPANY 1317 HWY. 71 WEST COLUMBUS, TX 78934 979.732.2201
12.19.19	1ST REVISION		
4.16.20	2ND REVISION (ENGINEERING)		
		NO	DESCRIPTION
			DATE
			DRAWING SUBMISSION
PROJECT:	JUNIOR HIGH SCHOOL 6	LOCATION:	7500 KOEBLEN RD RICHMOND TX, 77469
DRAWN BY:	RA	DATE:	09.12.19
CHECKED BY:	ST	DATE:	09.12.19
3.09			

ARCH. NOTE: PLEASE CLARIFY WALL CONDITION AT THIS LOCATION



ARCH. NOTE: PLEASE CLARIFY WALL CONDITION AT THIS LOCATION

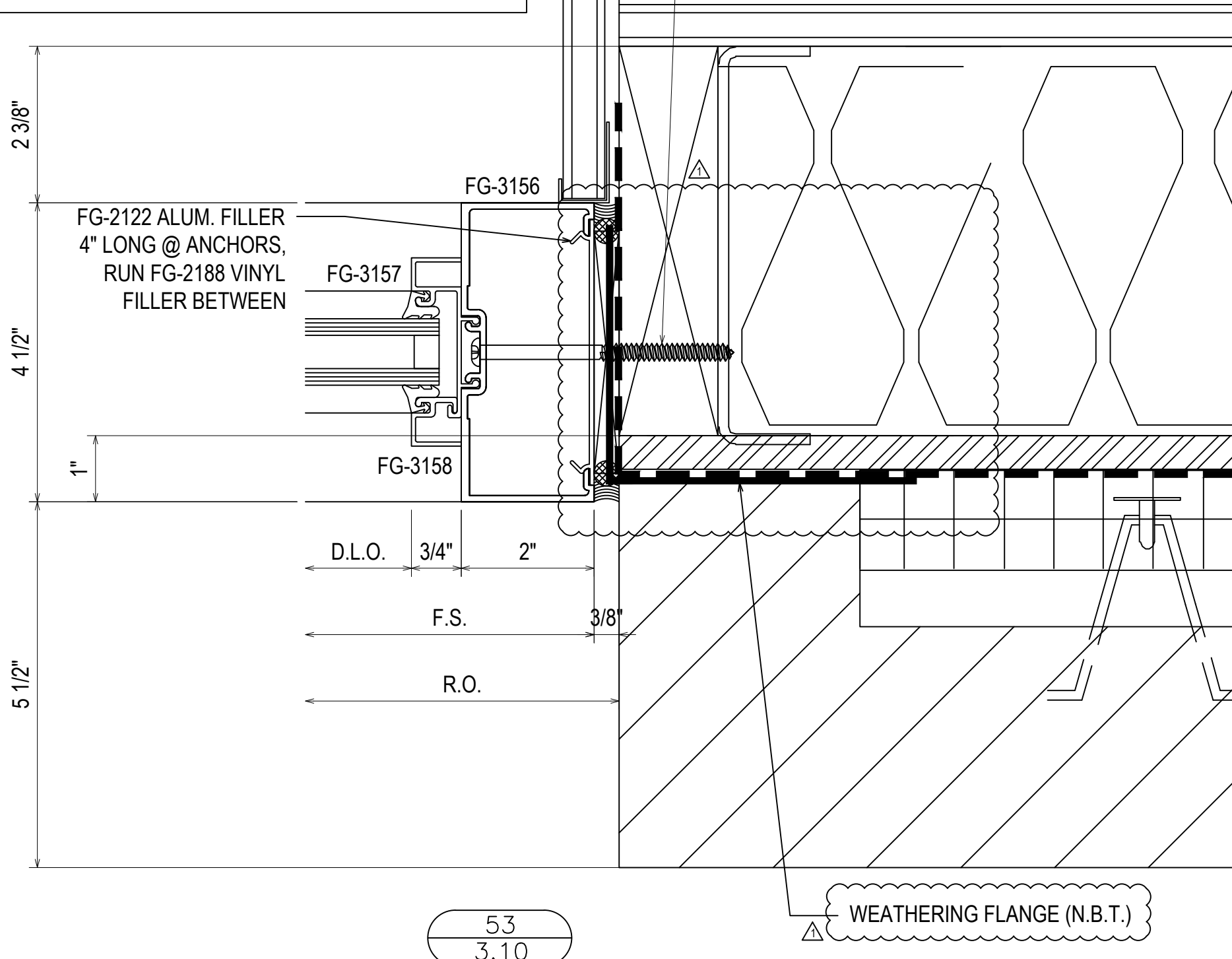
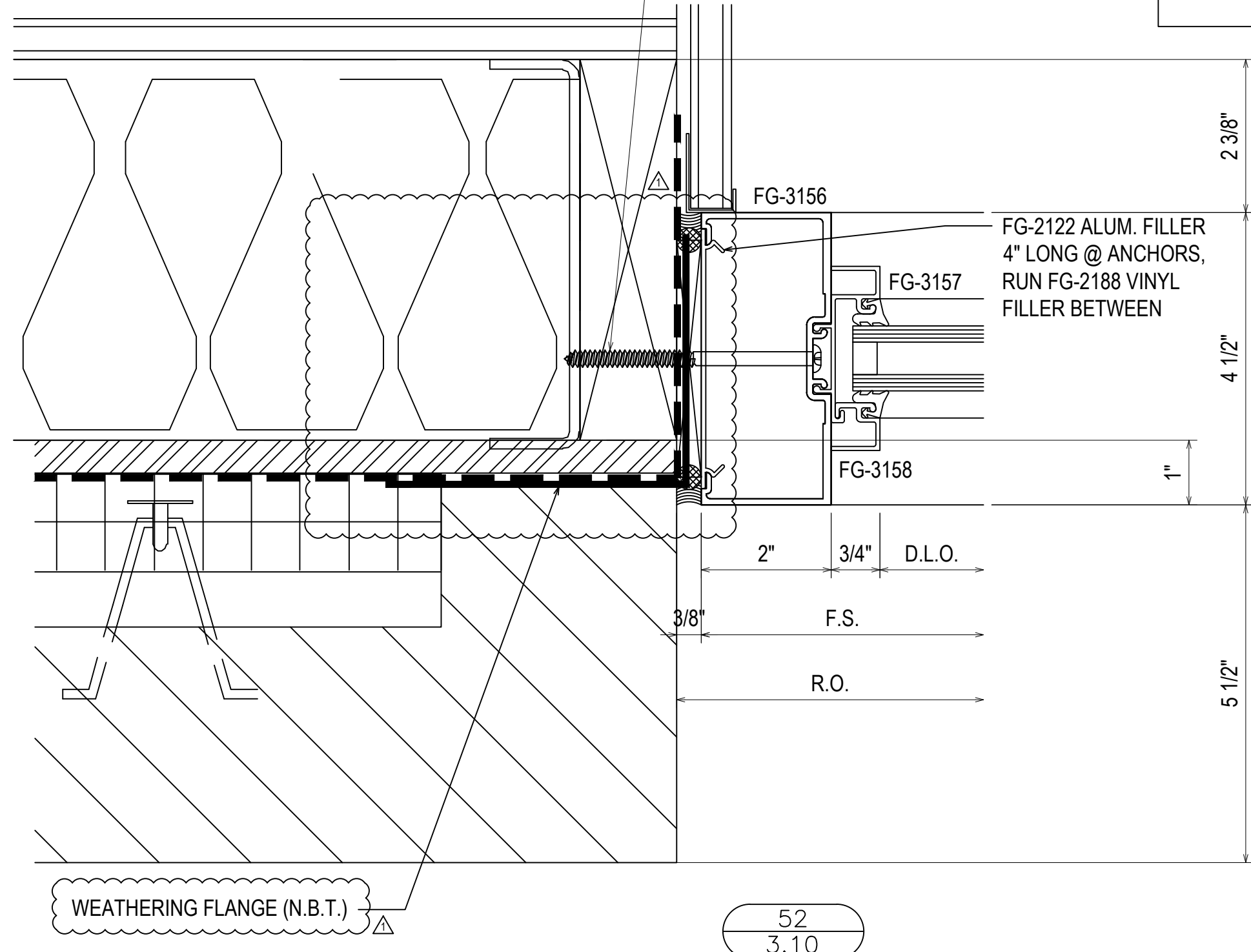
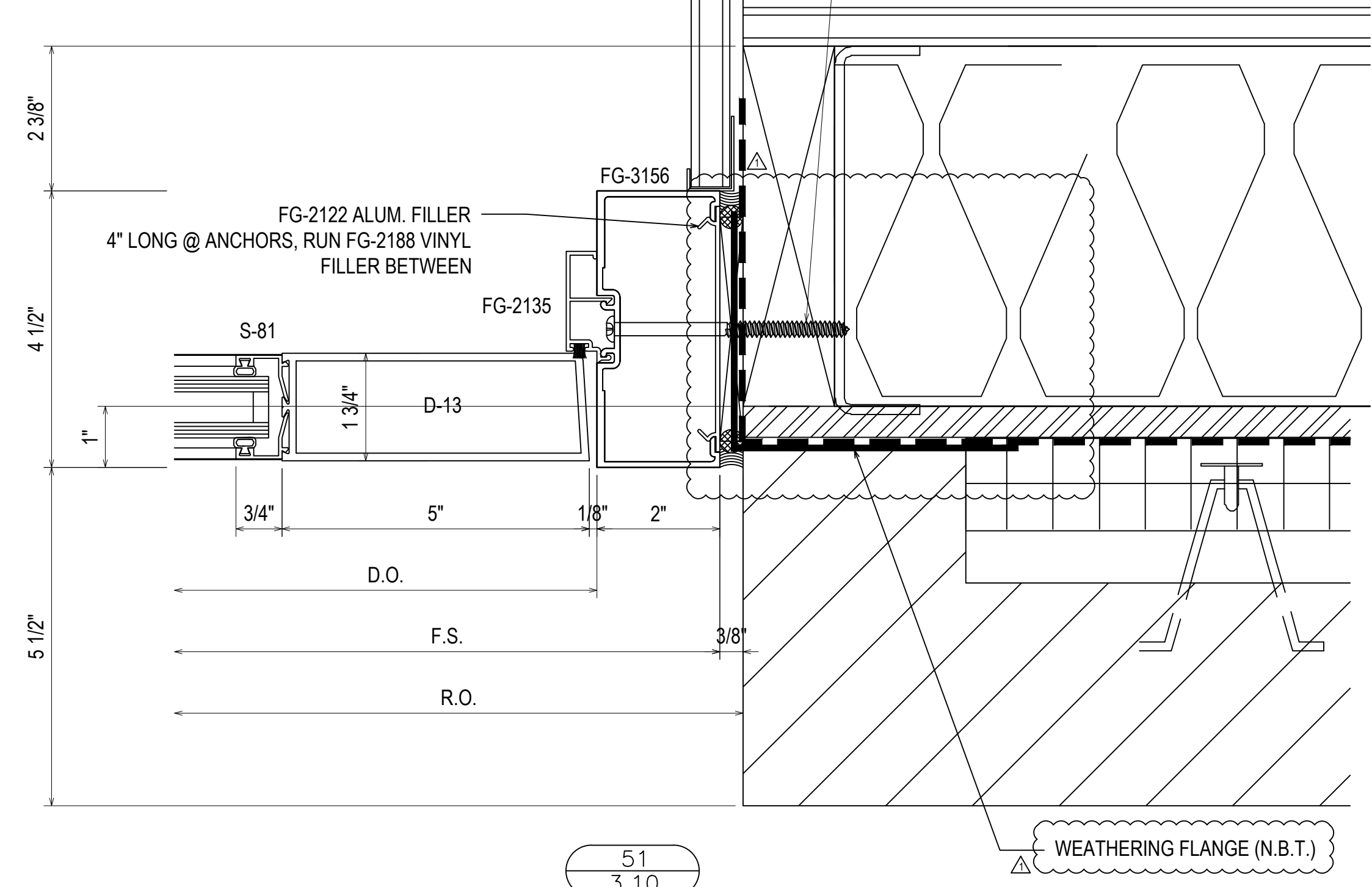
1/4-20 GRADE 5 SMS WITH A MINIMUM FULL PENETRATION + 1/2"
MINIMUM 3/8" EDGE DISTANCE
SPACED 3" FROM END AND 24" O.C. THEREAFTER



1/4-20 GRADE 5 SMS WITH A MINIMUM FULL PENETRATION + 1/2"
MINIMUM 3/8" EDGE DISTANCE
SPACED 3" FROM END AND 24" O.C. THEREAFTER

1/4-20 GRADE 5 SMS WITH A MINIMUM FULL PENETRATION + 1/2"
MINIMUM 3/8" EDGE DISTANCE
SPACED 3" FROM END AND 24" O.C. THEREAFTER

1/4-20 GRADE 5 SMS WITH A MINIMUM FULL PENETRATION + 1/2"
MINIMUM 3/8" EDGE DISTANCE
SPACED 3" FROM END AND 24" O.C. THEREAFTER

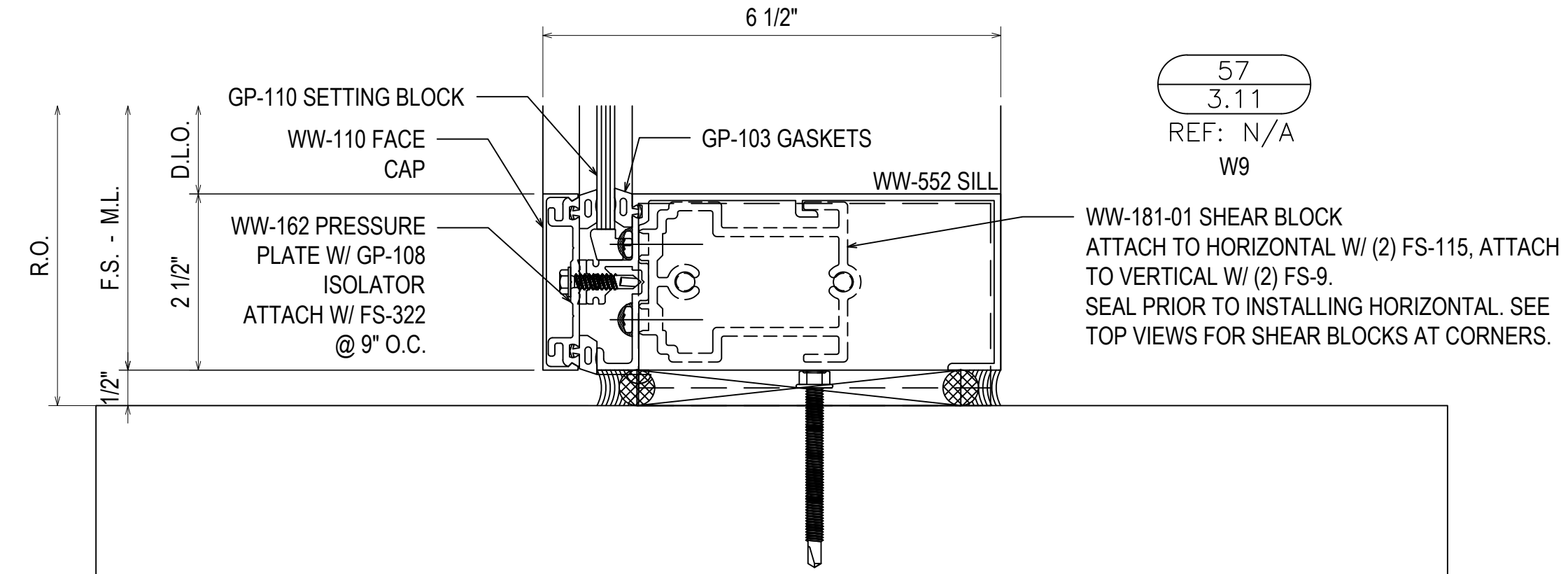
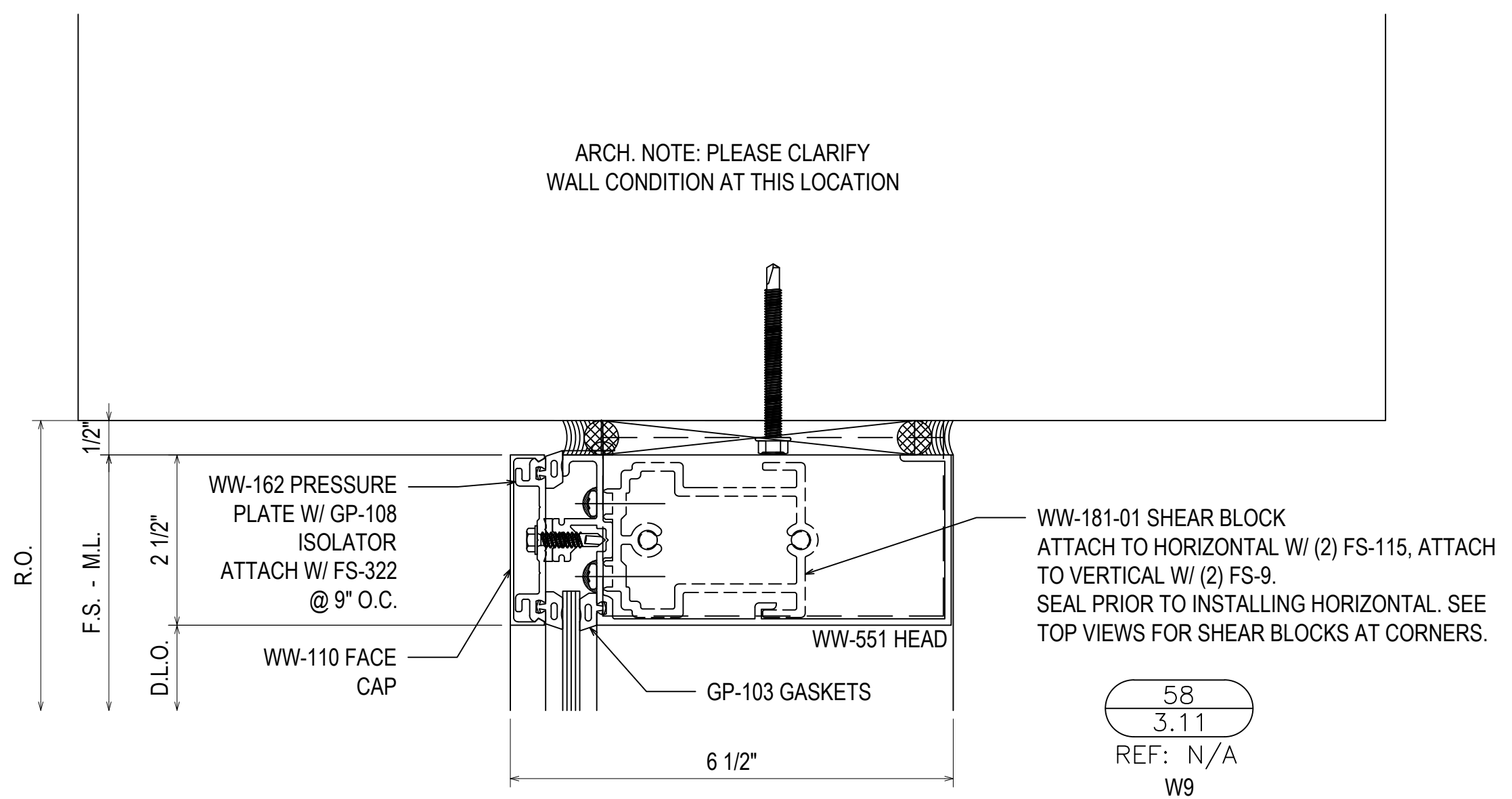
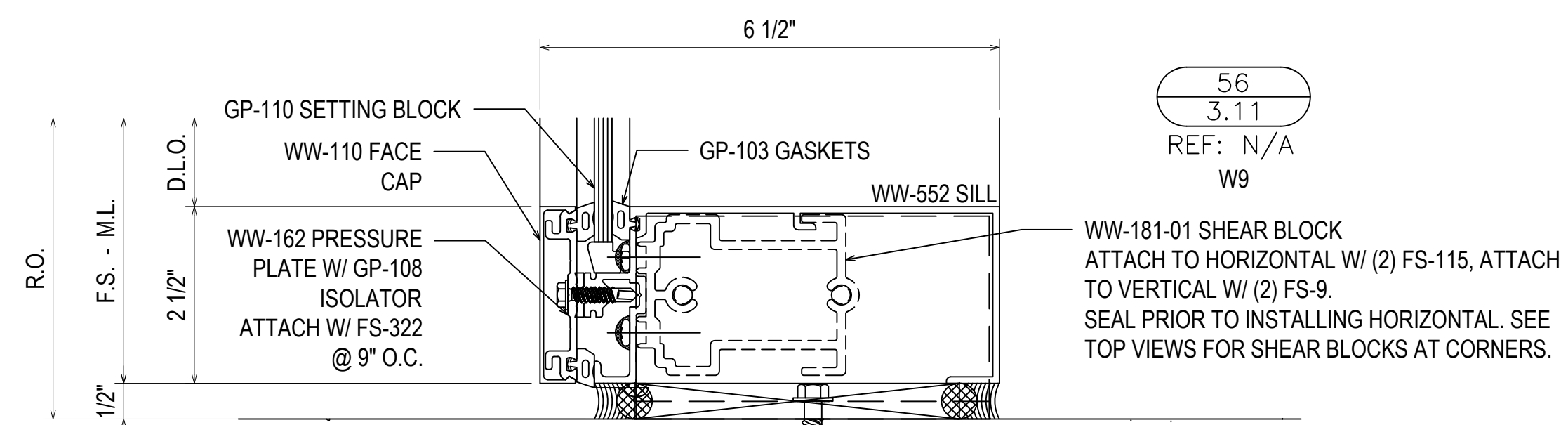
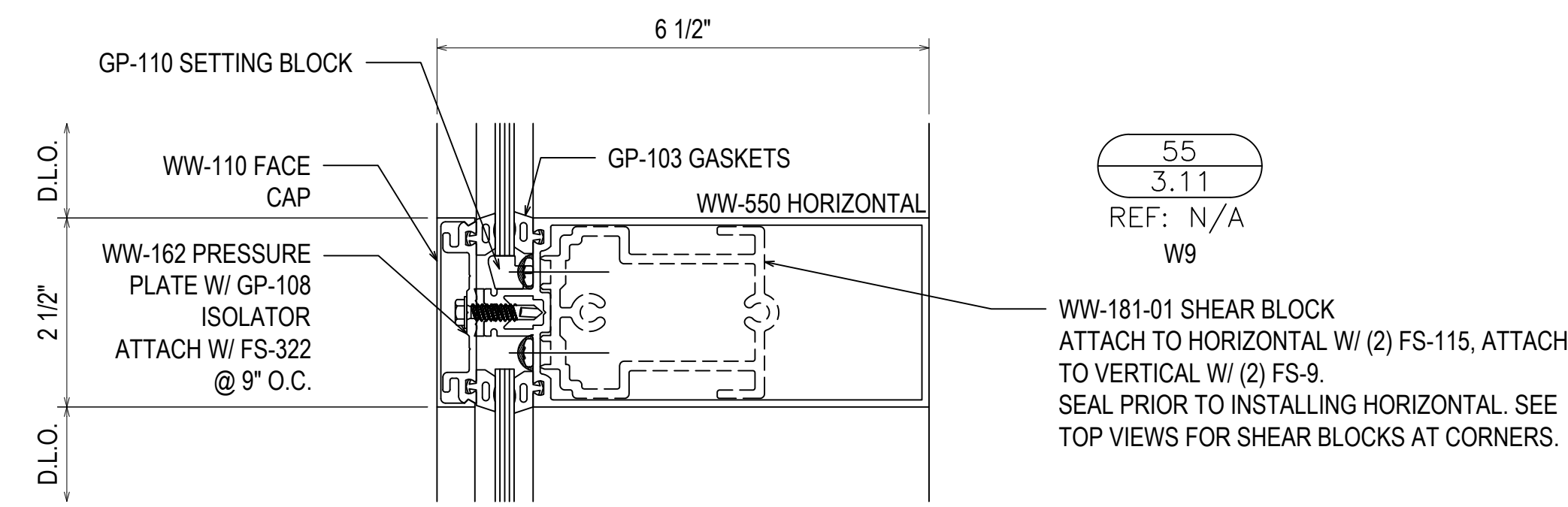
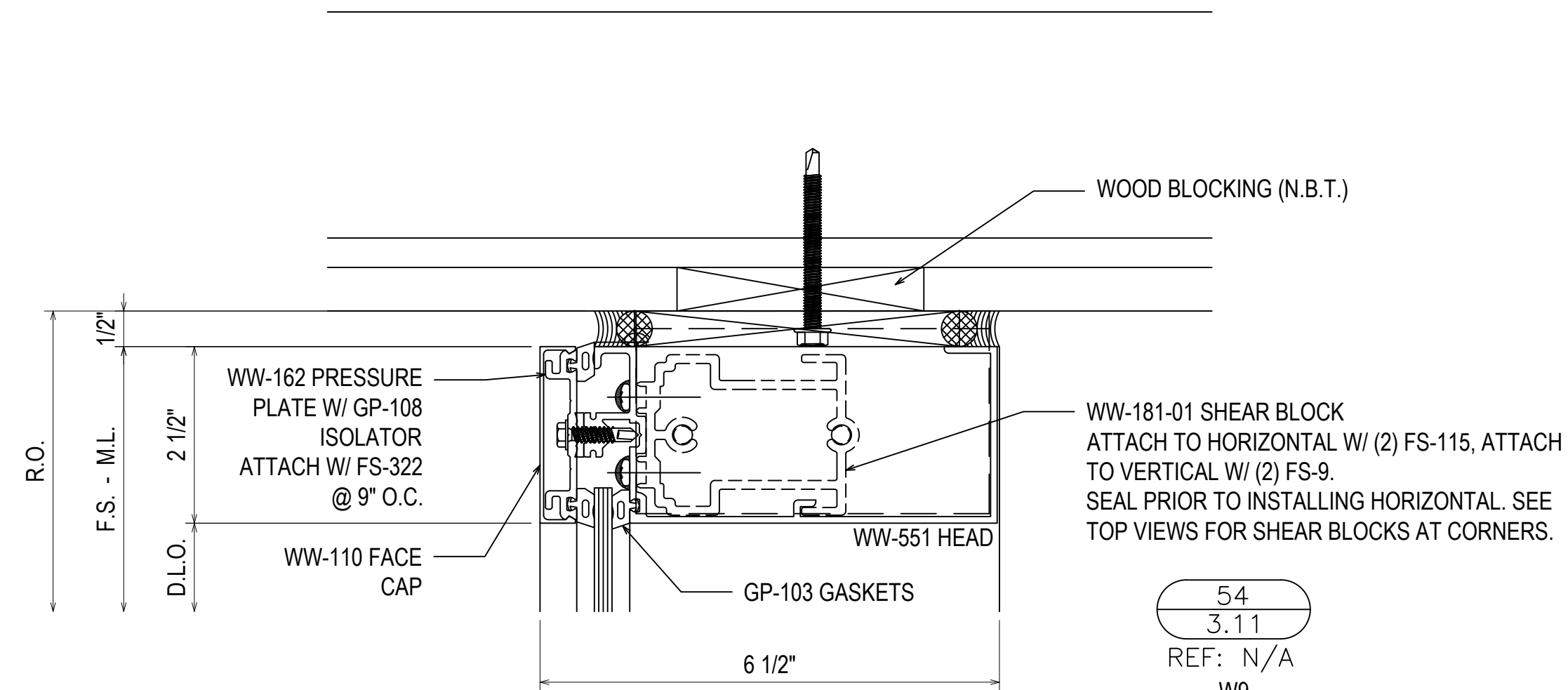


09.12.19	1ST SUBMISSION
12.19.19	1ST REVISION
4.16.20	2ND REVISION (ENGINEERING)
DATE	DESCRIPTION
	DRAWING SUBMISSION

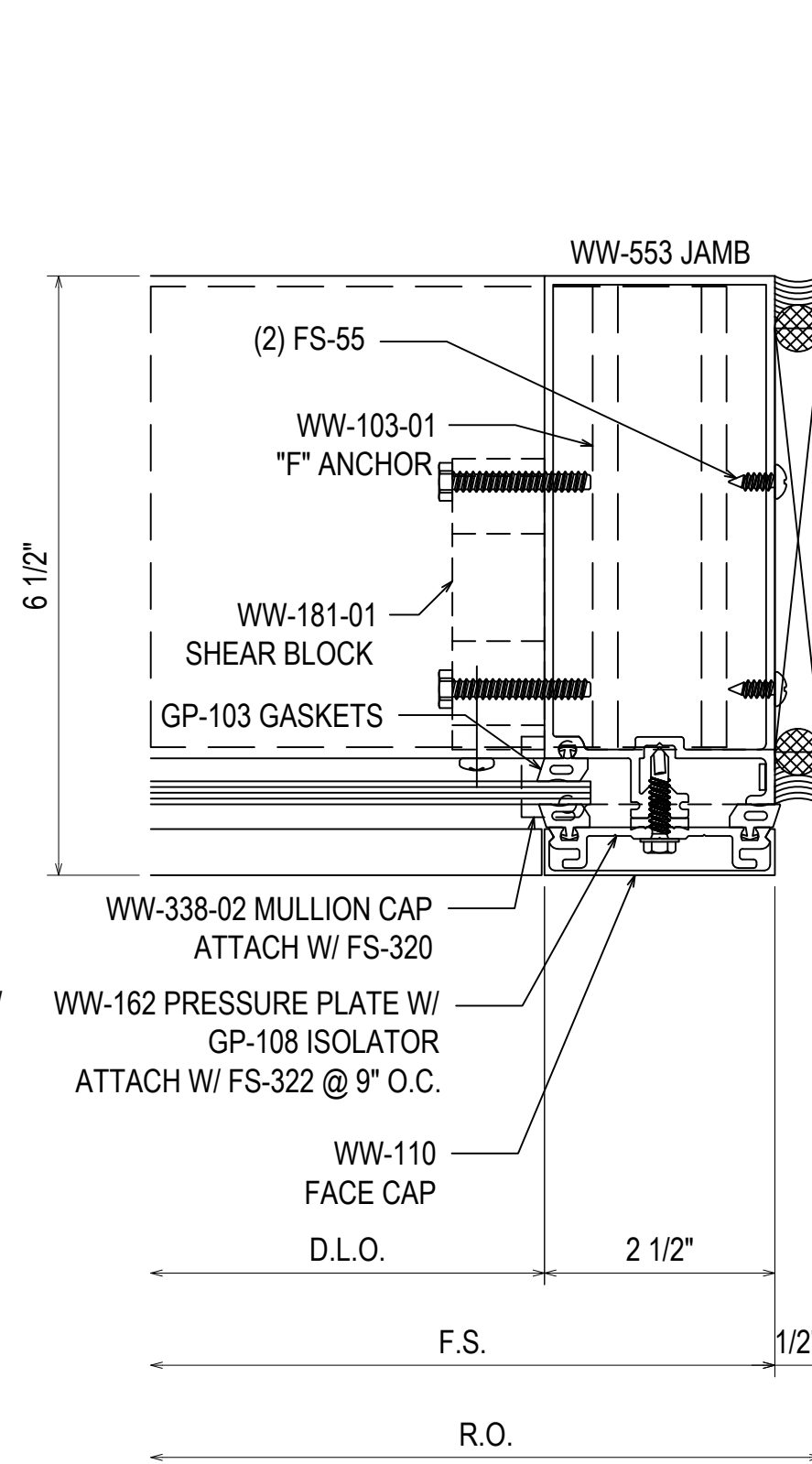
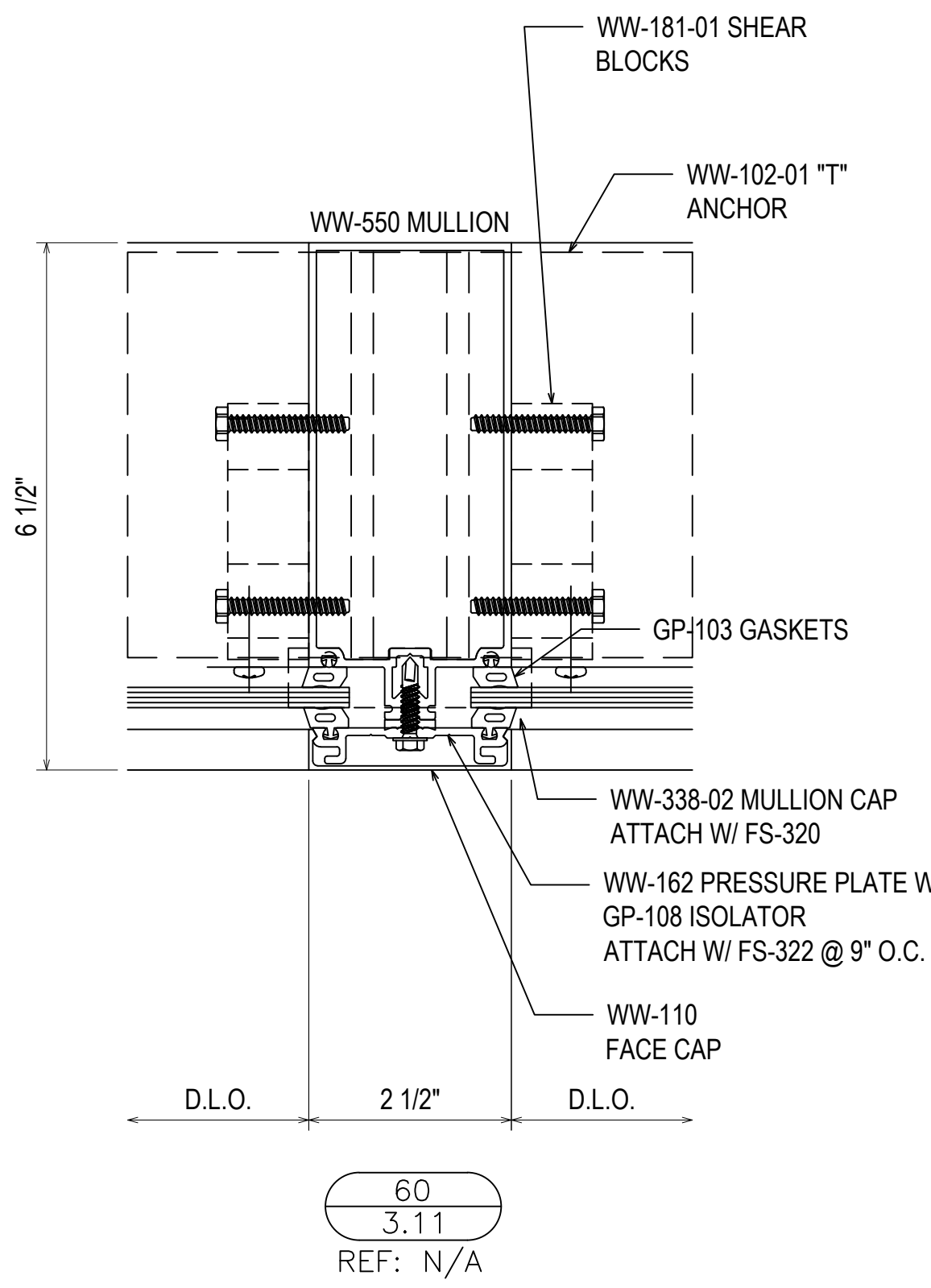
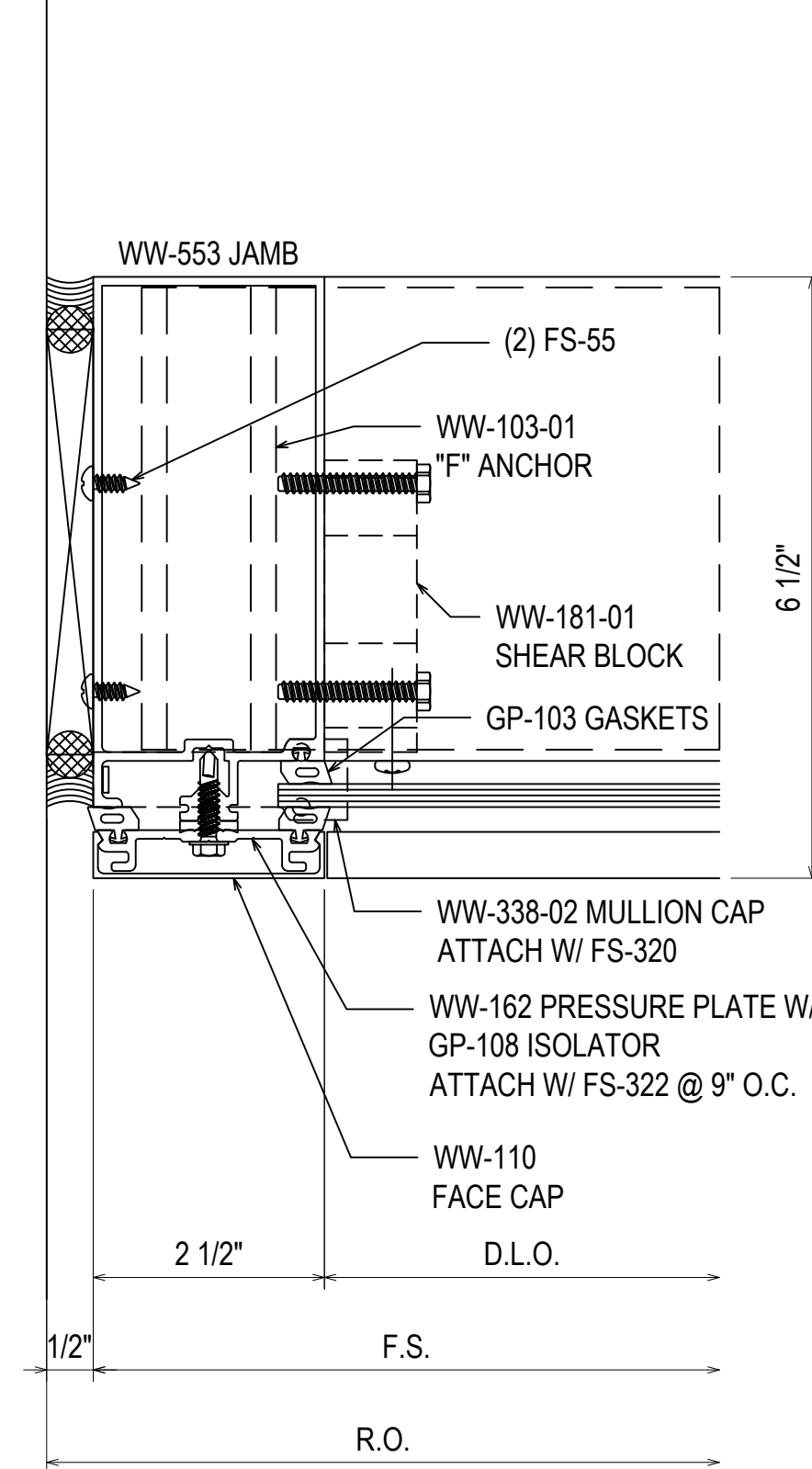
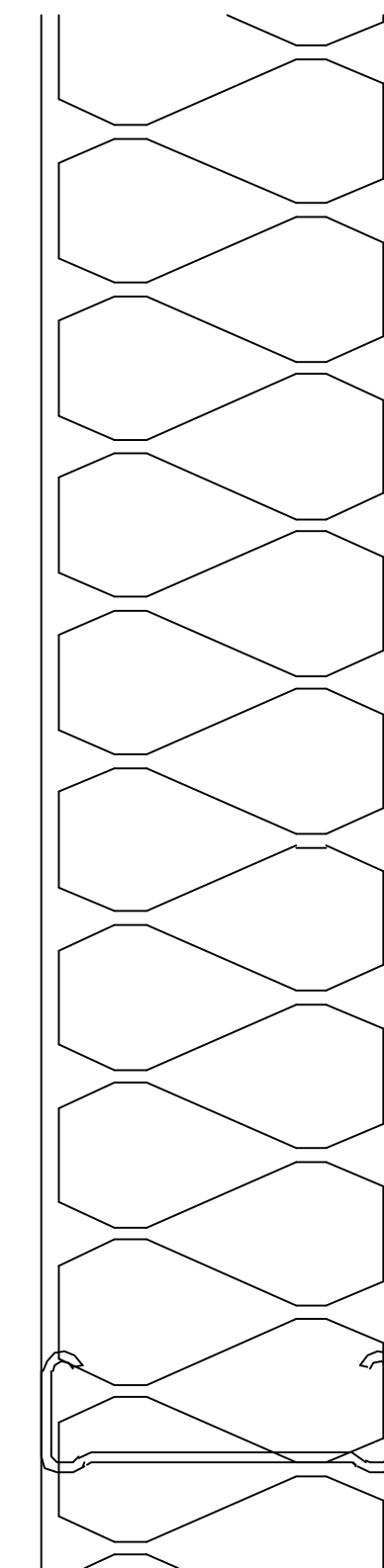
ERECTOR:
THE THEUT COMPANY
1317 HWY. 71 WEST
COLUMBUS, TX 78934
979.732.2201

PROJECT: JUNIOR HIGH SCHOOL 6
LAMAR CISD
LOCATION: 7500 KOEBLEN RD
RICHMOND TX, 77469

DRAWN BY: RA	DATE: 09.12.19
CHECKED BY: ST	DATE: 09.12.19



ARCH. NOTE: PLEASE CLARIFY WALL CONDITION AT THIS LOCATION



ARCH. NOTE: PLEASE CLARIFY WALL CONDITION AT THIS LOCATION

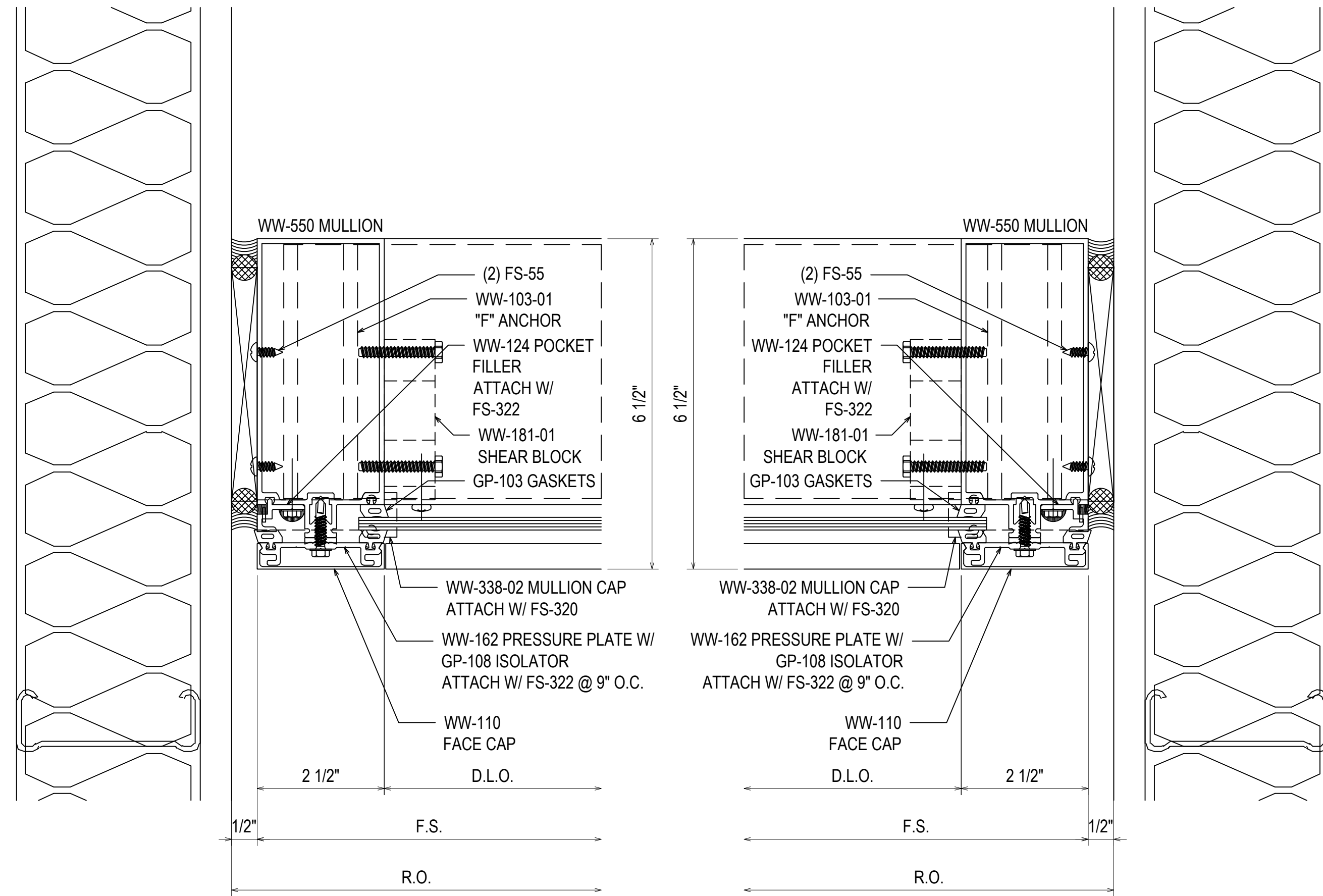
1ST SUBMISSION	09.12.19
1ST REVISION	12.19.19
2ND REVISION (ENGINEERING)	4.16.20
NO	DATE
DESCRIPTION	DRAWING SUBMISSION

ERECTOR:
THE THEUT COMPANY
1317 HWY. 71 WEST
COLUMBUS, TX 78934
979.732.2201

PROJECT: JUNIOR HIGH SCHOOL 6
LAMAR CISD
LOCATION: 7500 KOEBLEN RD
RICHMOND TX, 77469

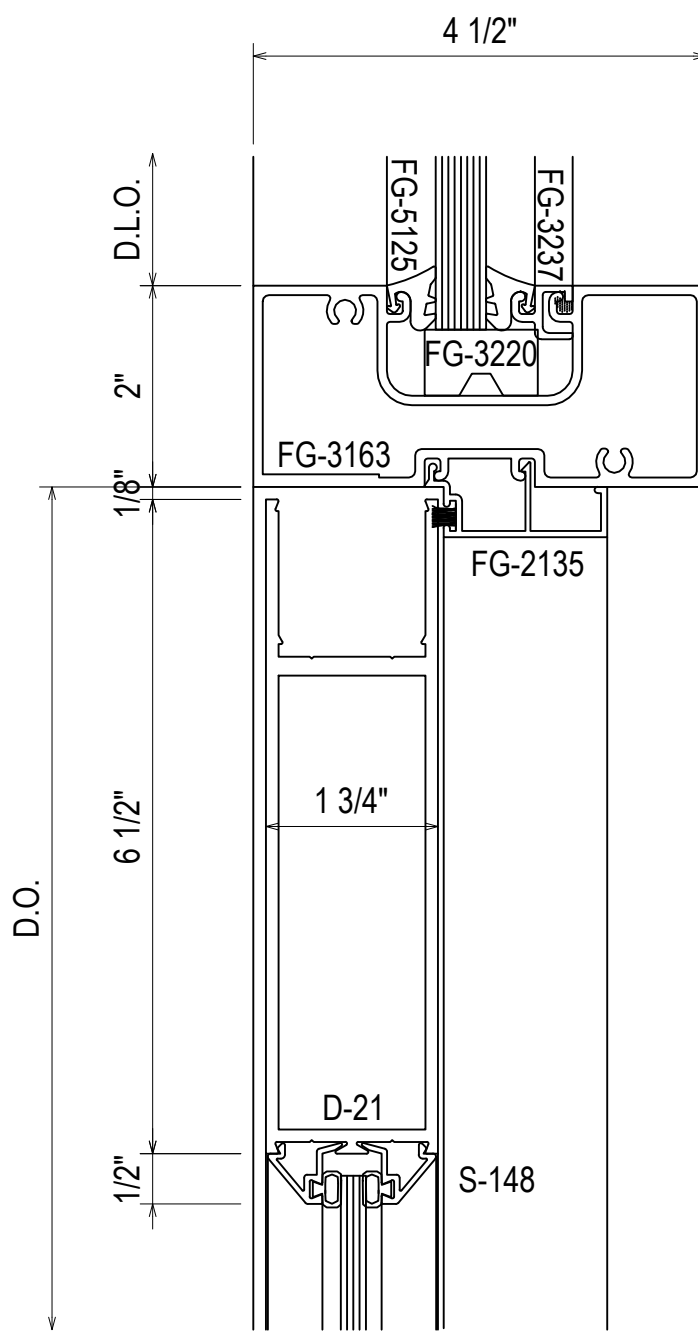
DRAWN BY: RA
CHECKED BY: ST
DATE: 09.12.19
DATE: 09.12.19

3.11

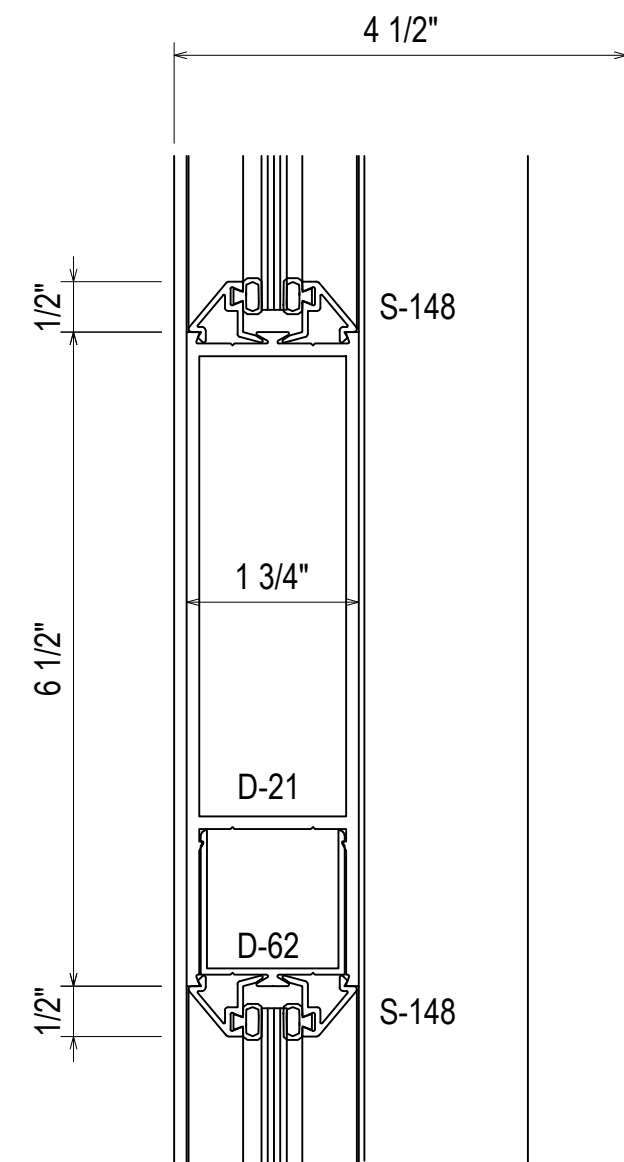


62
3.12
REF: N/A
W9

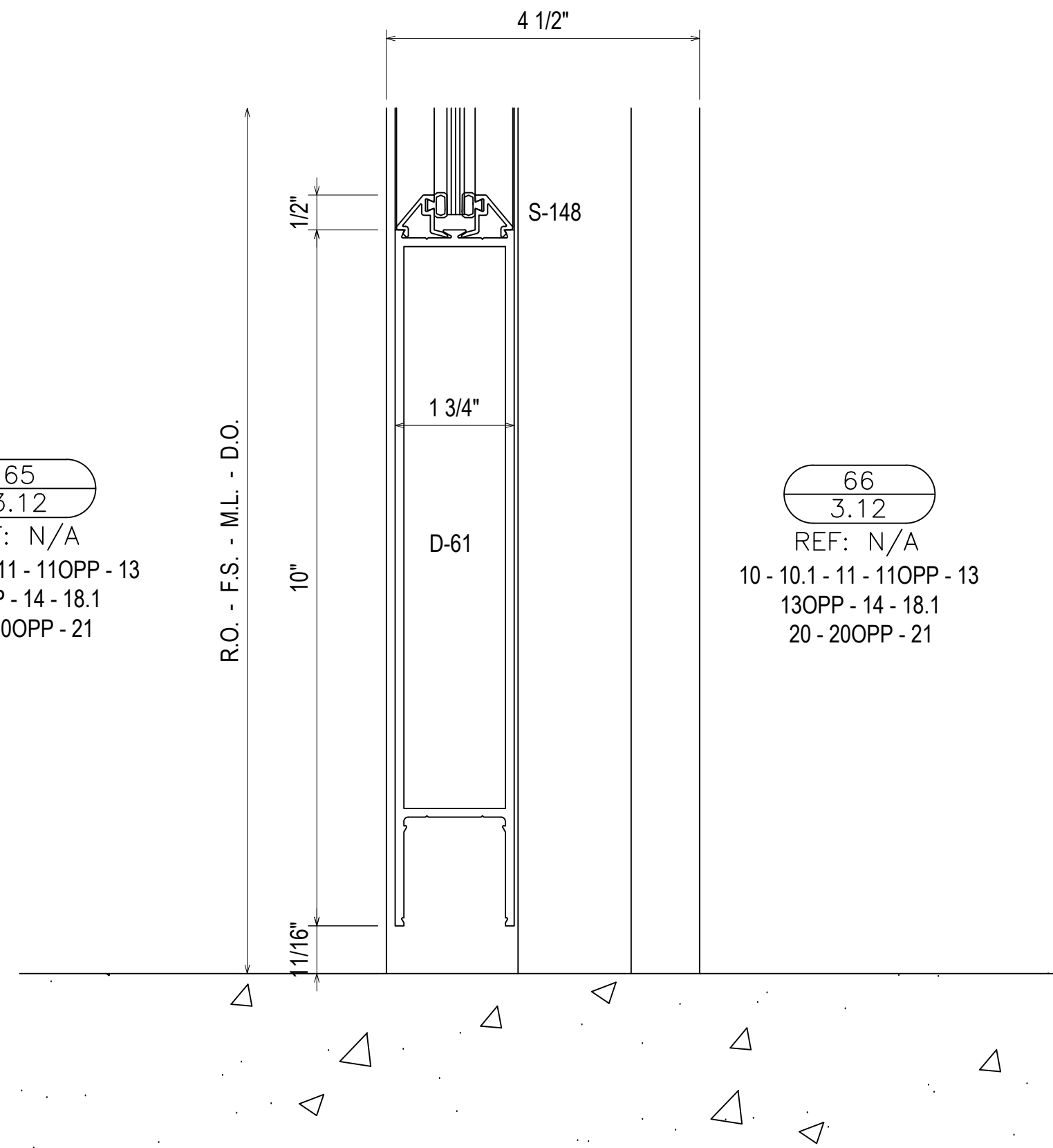
63
3.12
REF: N/A
W9



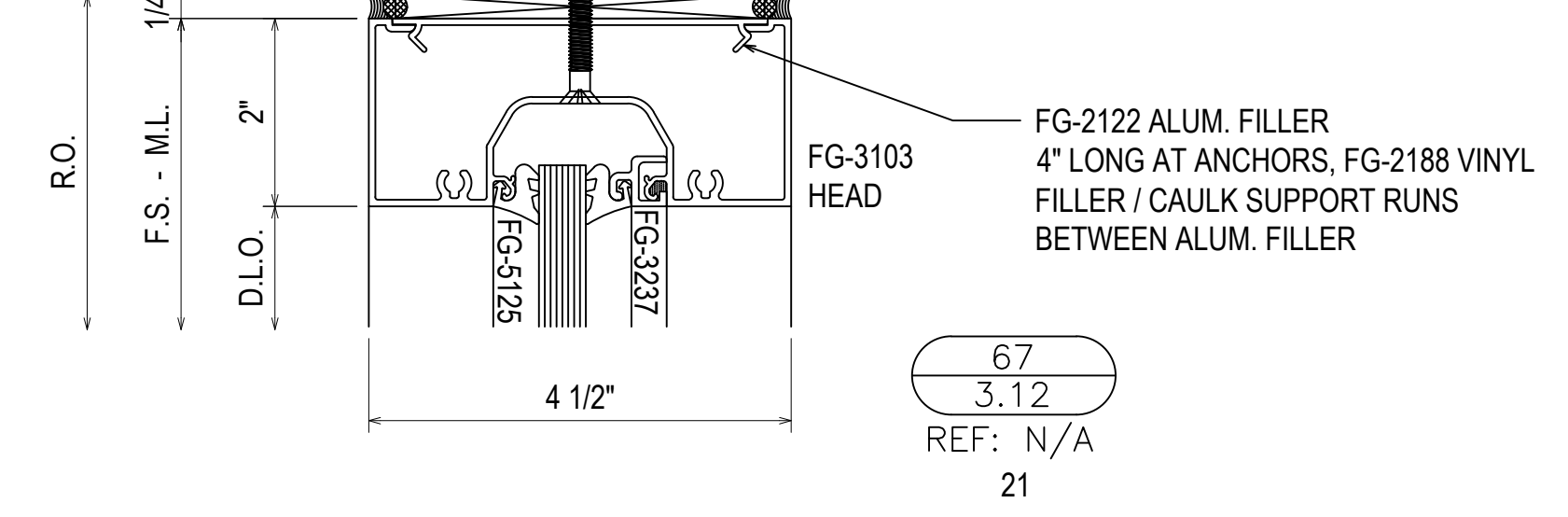
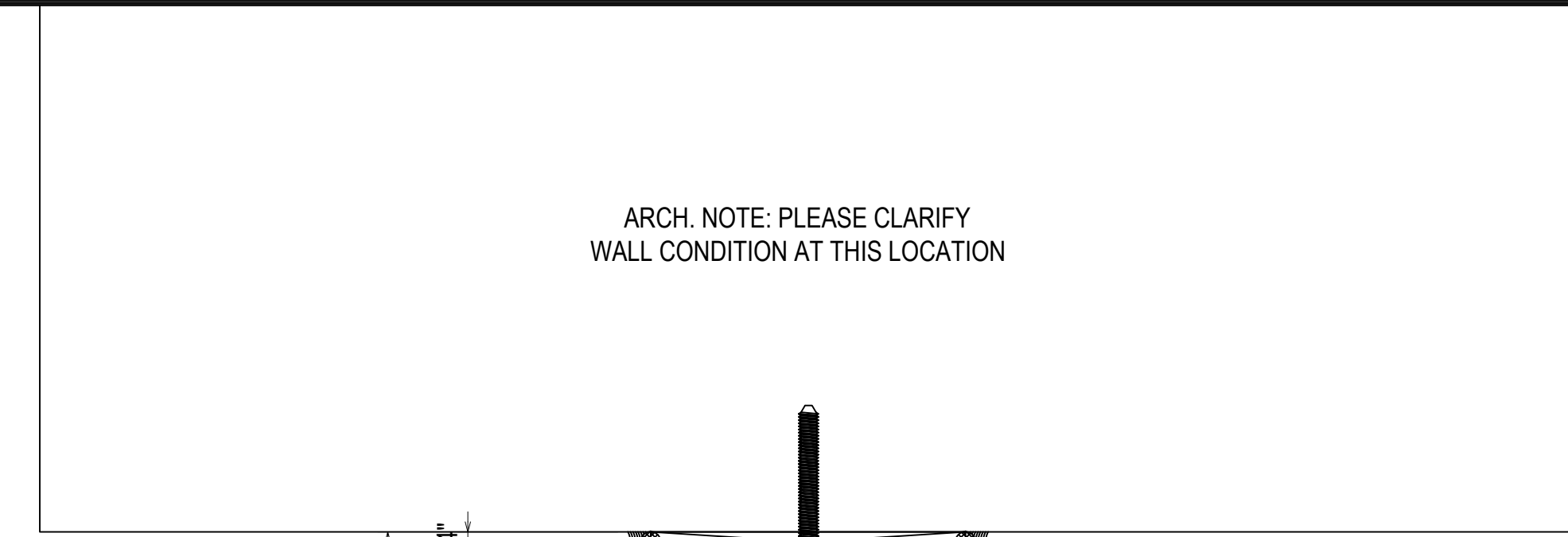
64
3.12
REF: N/A
21



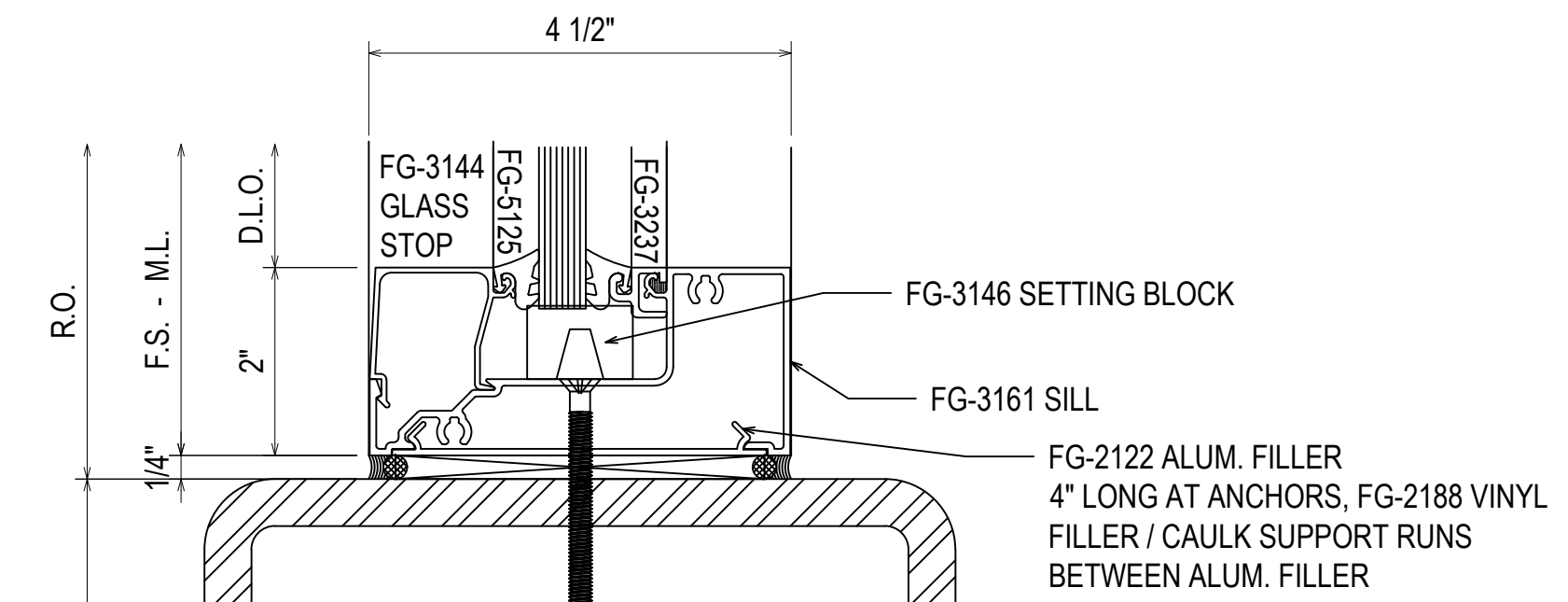
65
3.12
REF: N/A
10 - 10.1 - 11 - 11OPP - 13
13OPP - 14 - 18.1
20 - 20OPP - 21



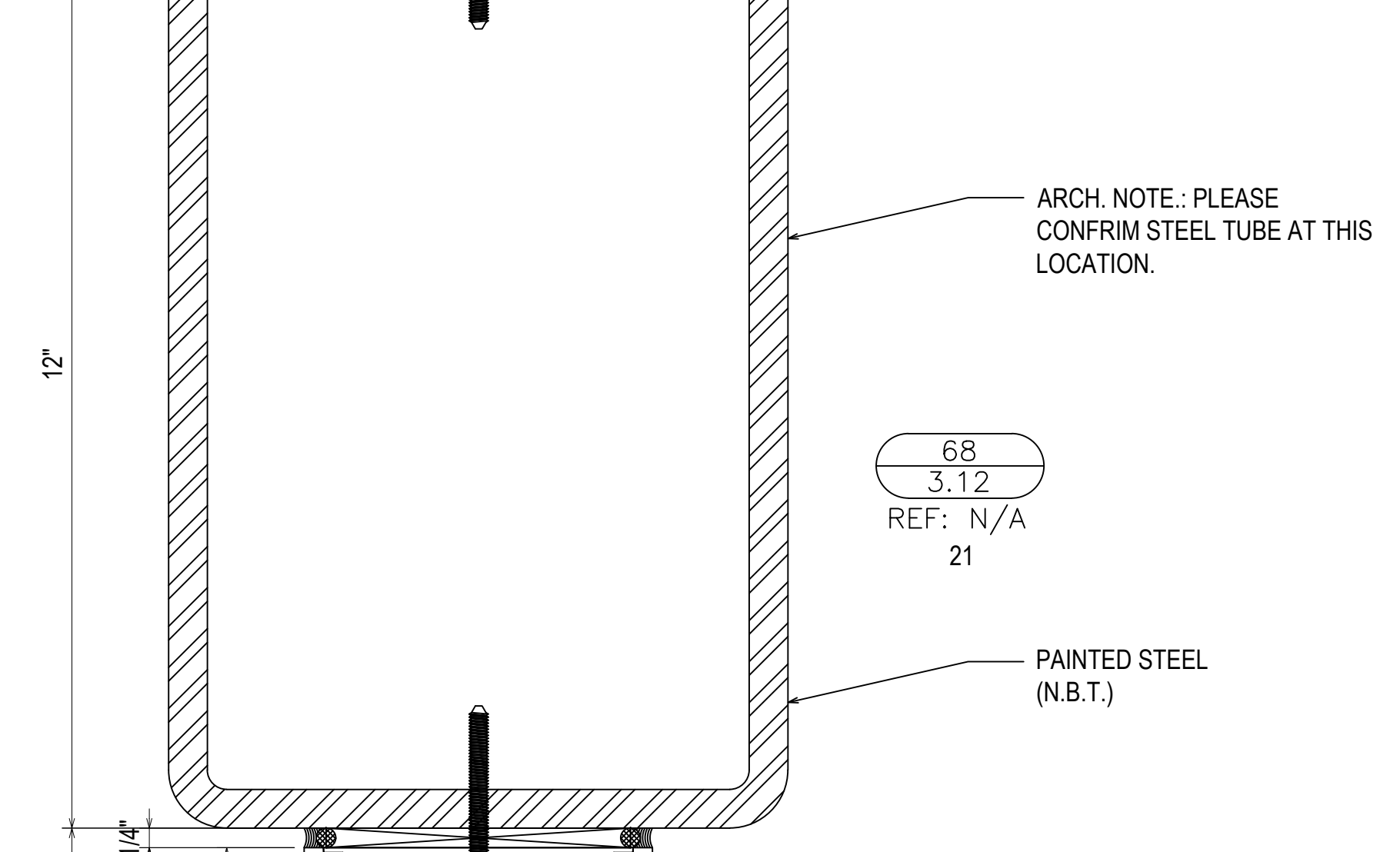
66
3.12
REF: N/A
10 - 10.1 - 11 - 11OPP - 13
13OPP - 14 - 18.1
20 - 20OPP - 21



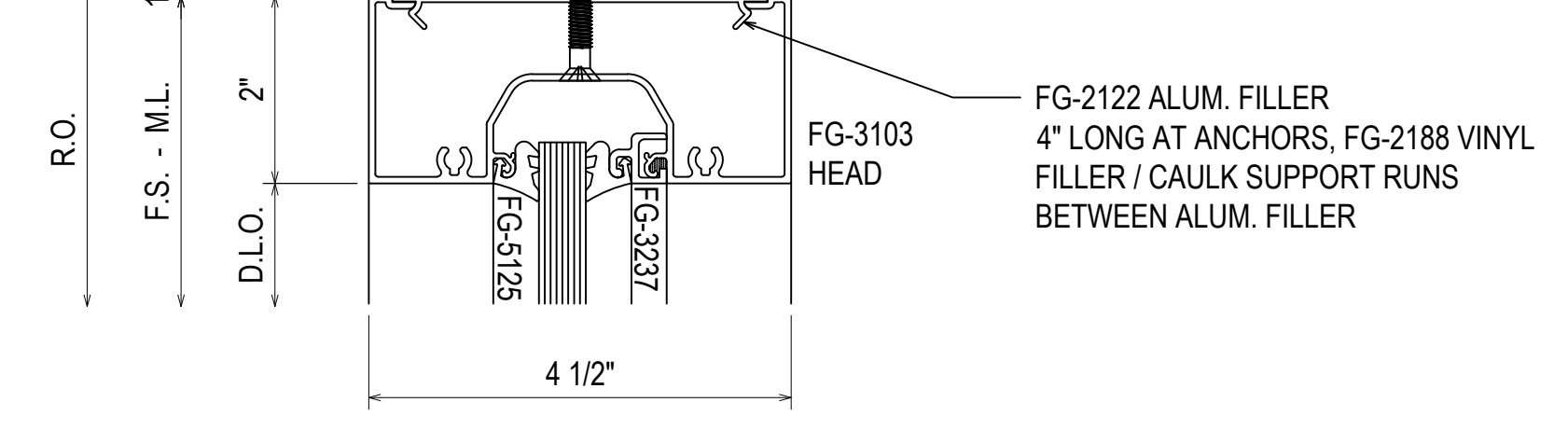
67
3.12
REF: N/A
21



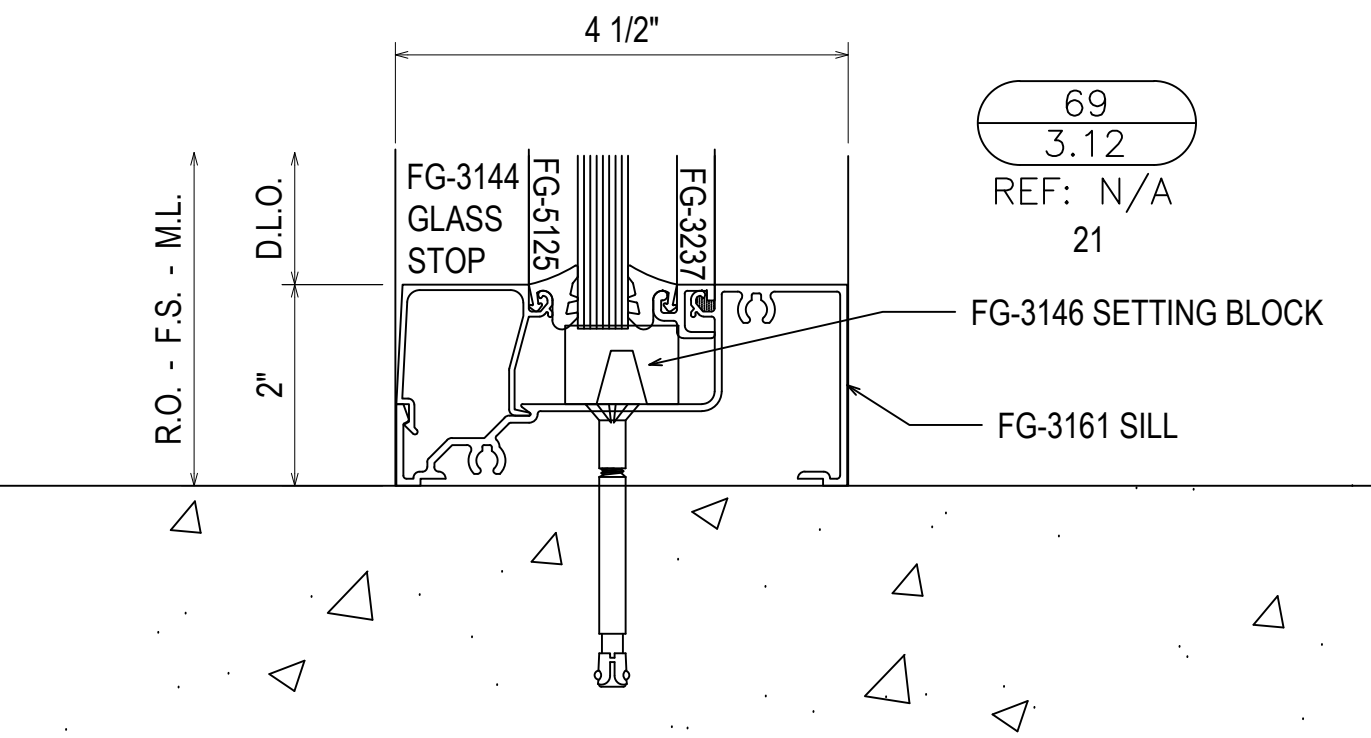
68
3.12
REF: N/A
21



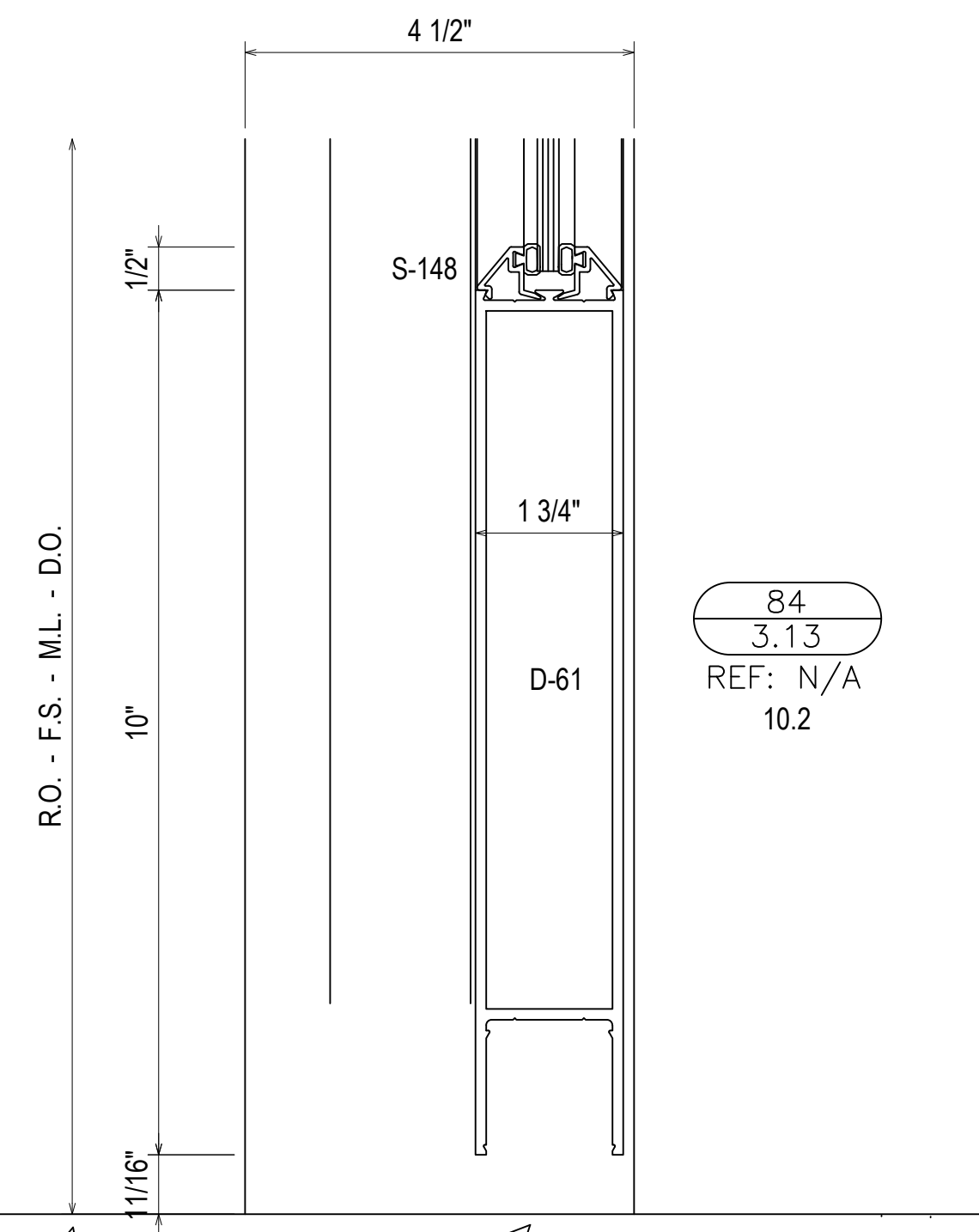
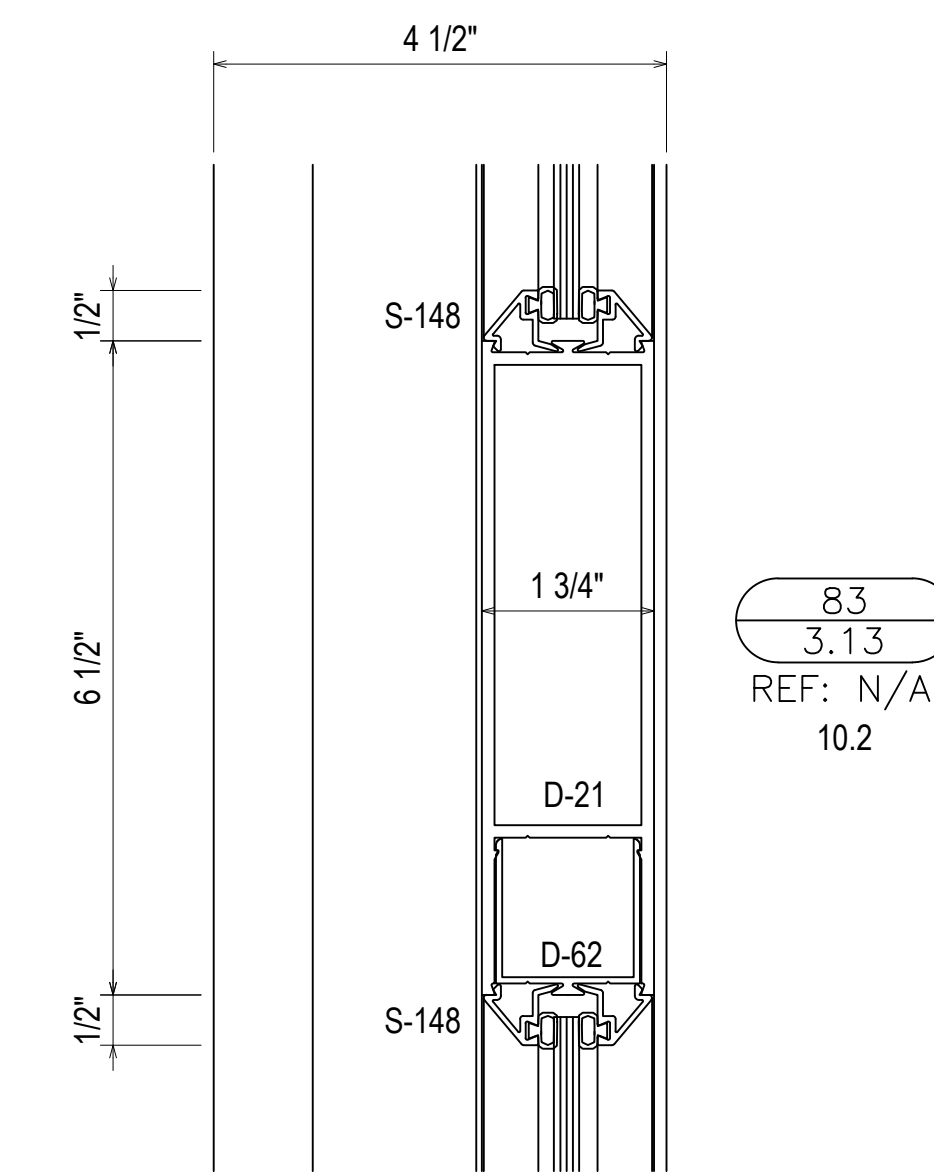
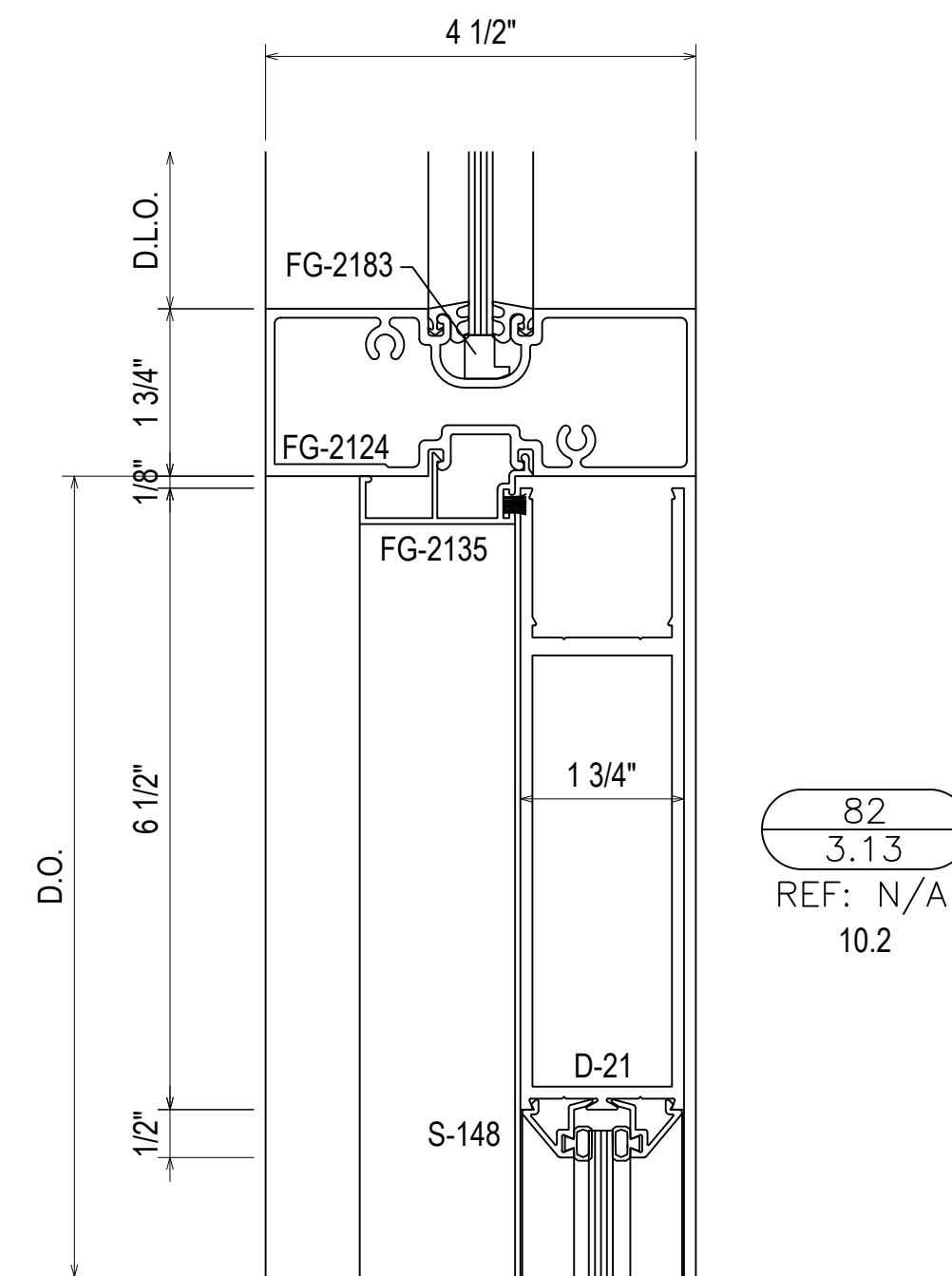
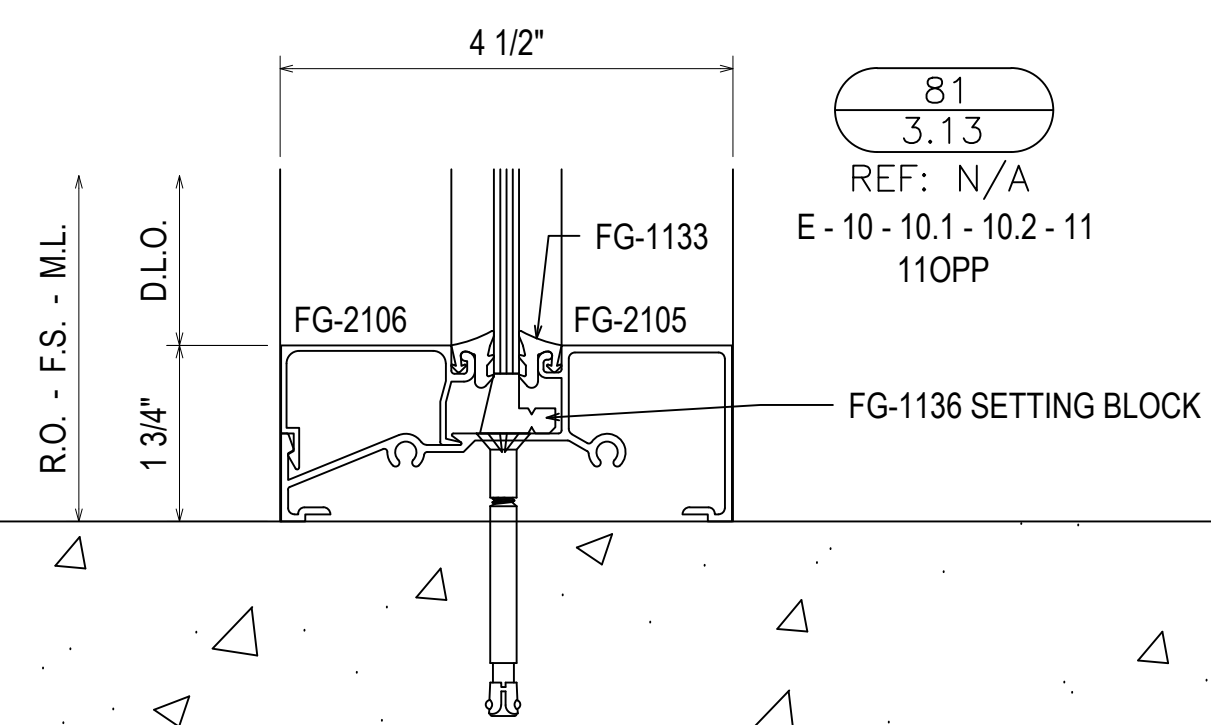
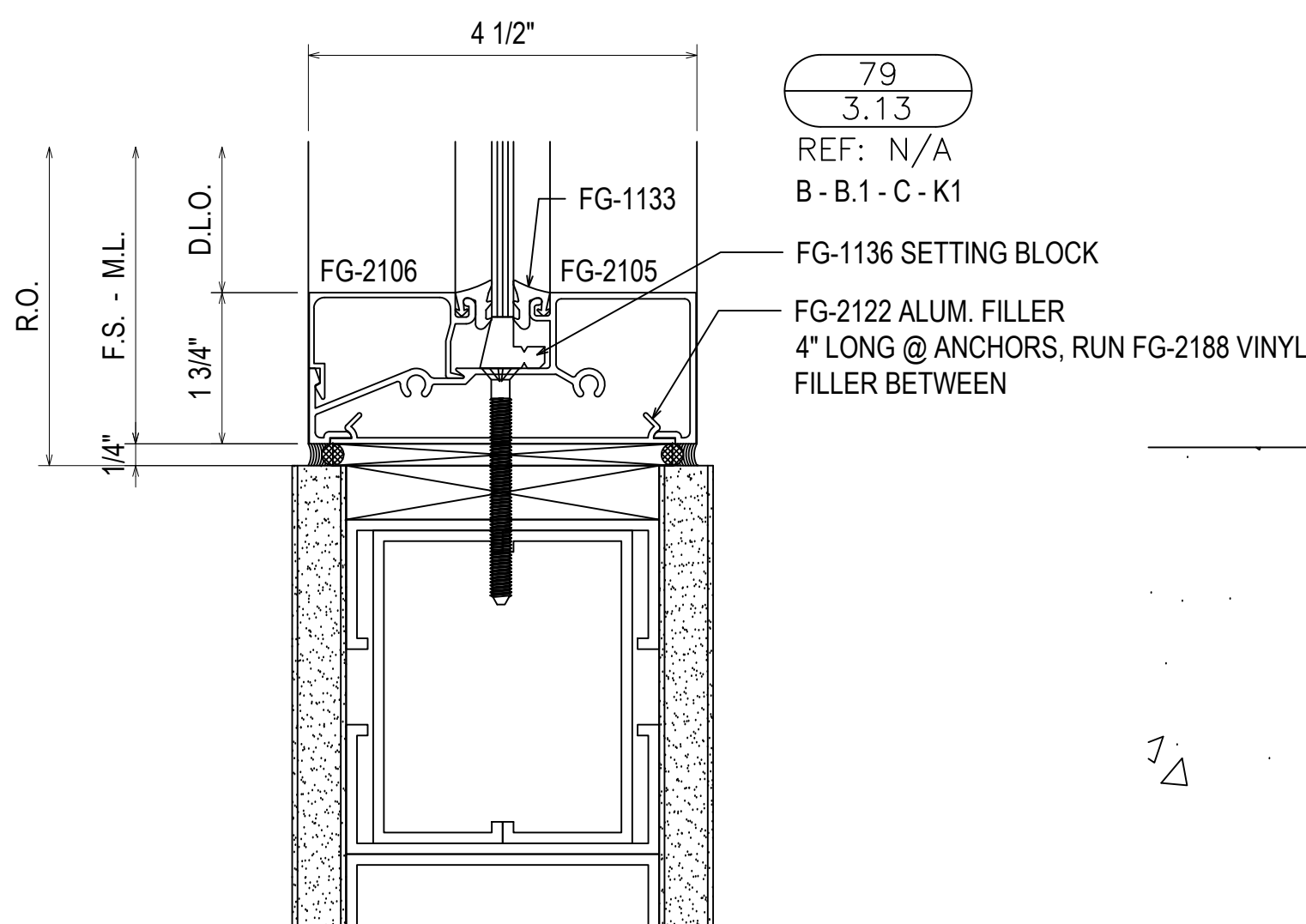
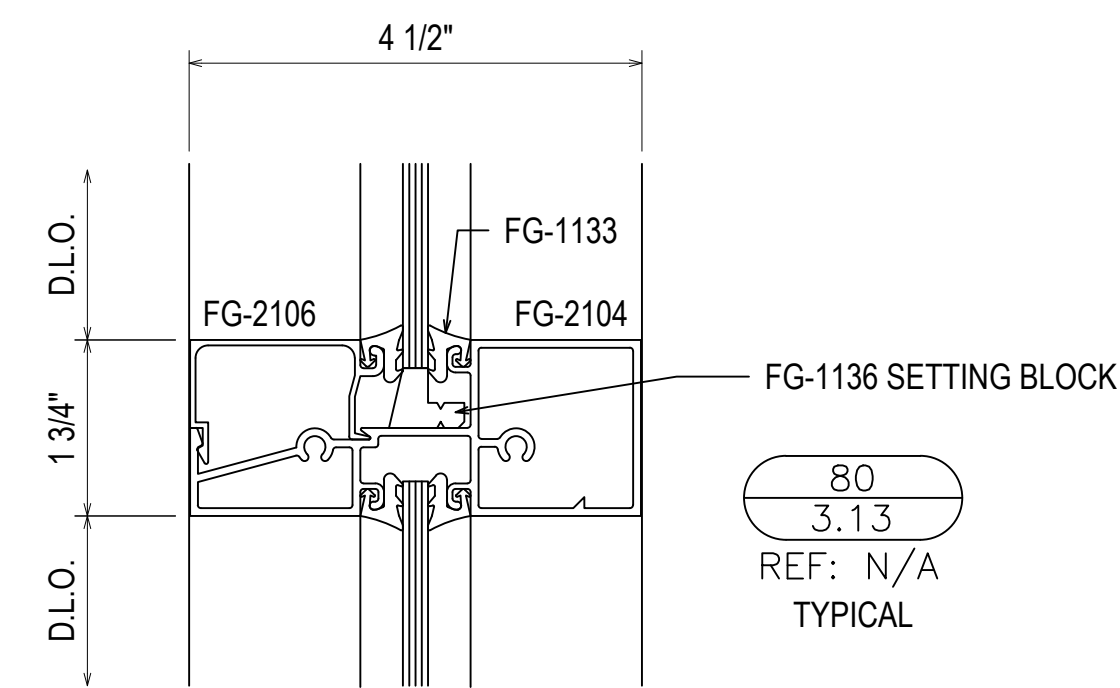
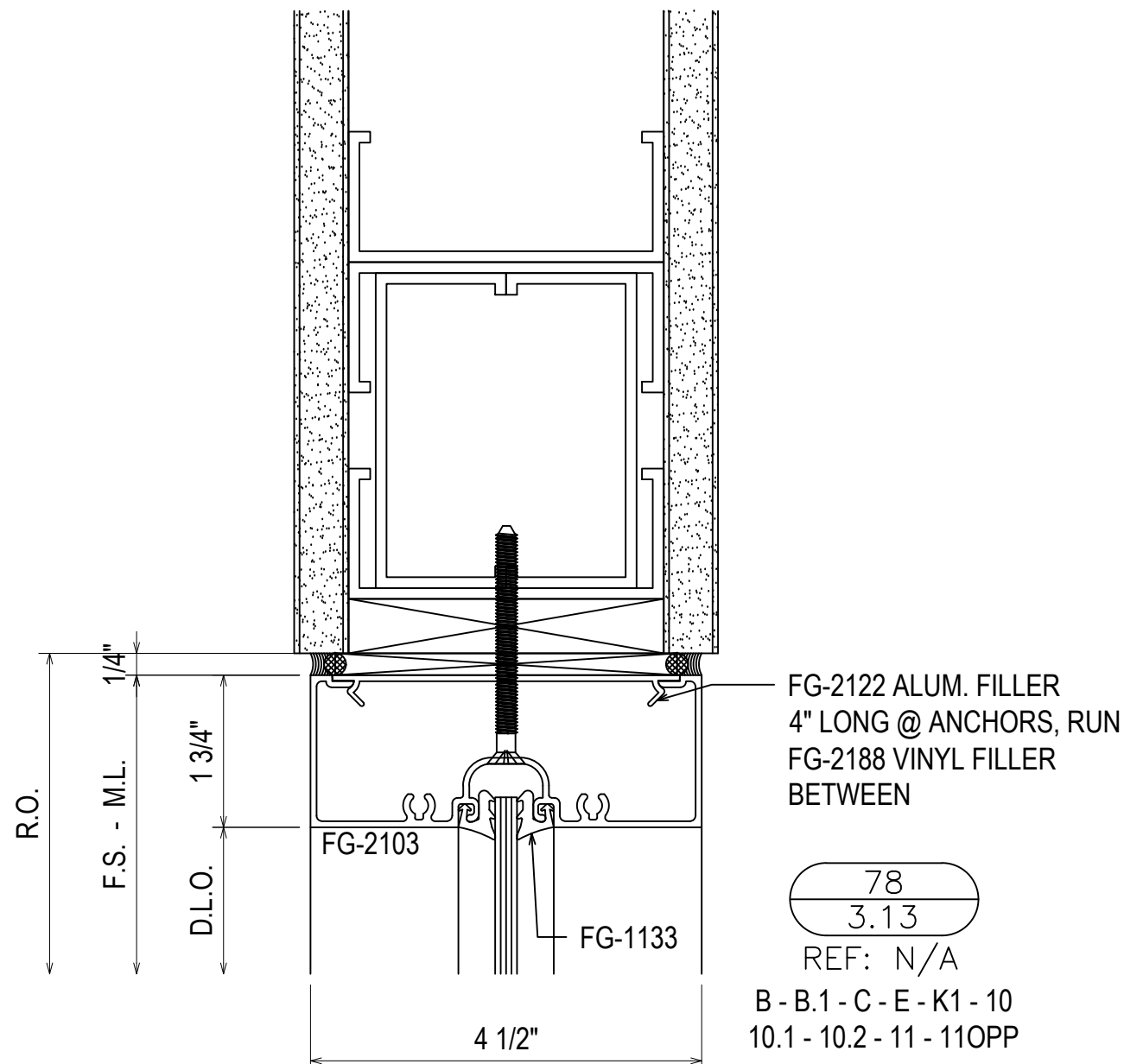
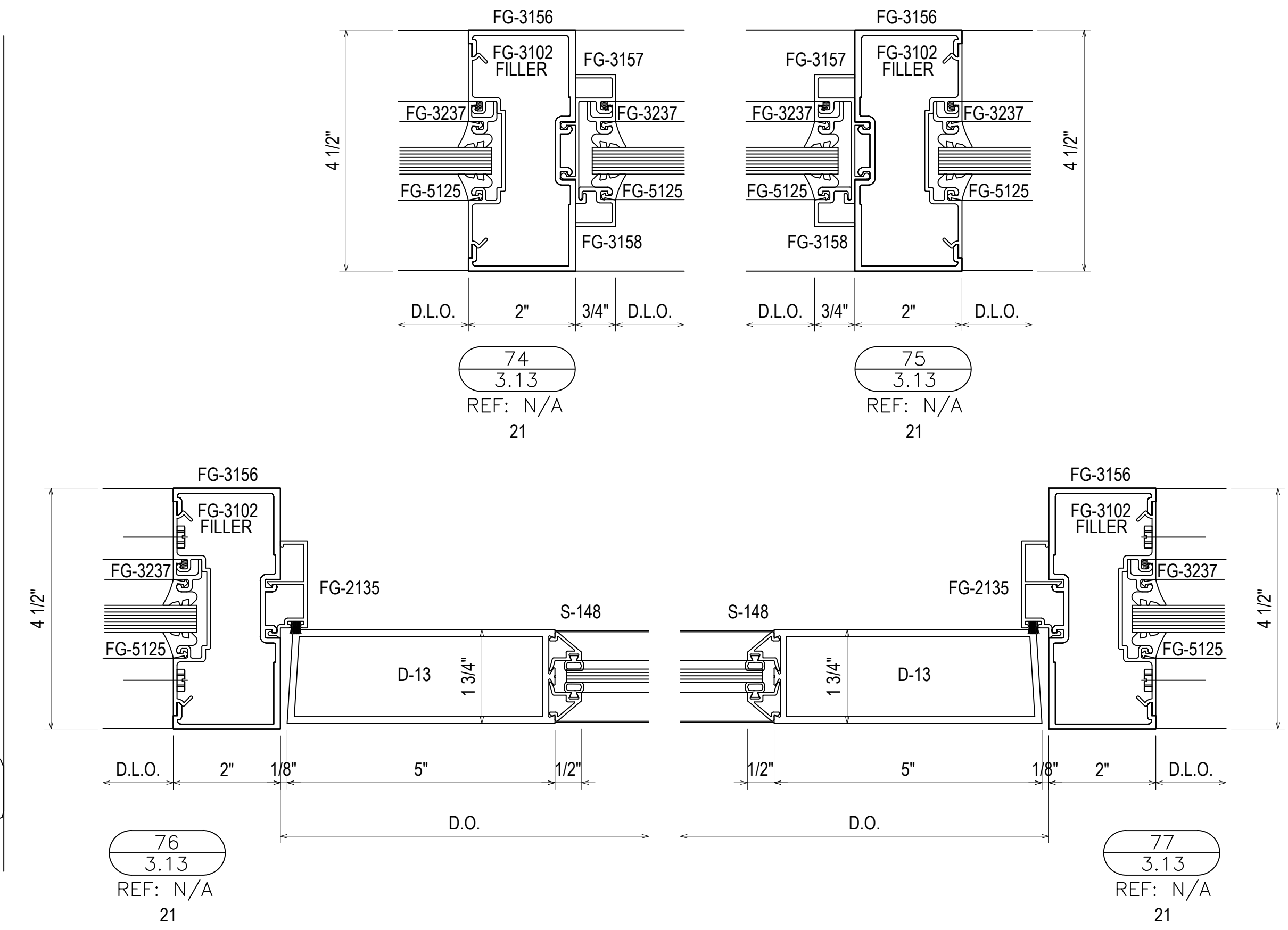
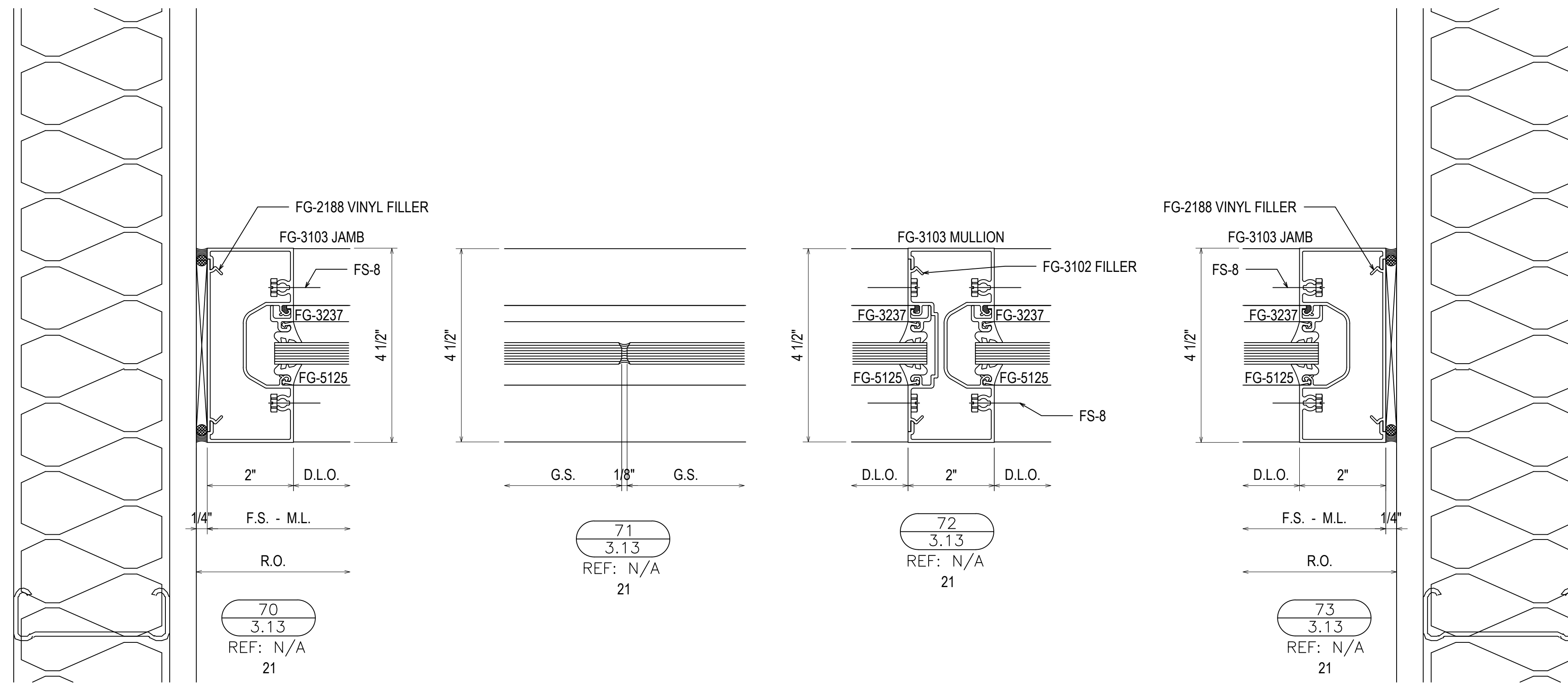
ARCH. NOTE.: PLEASE CONFIRM STEEL TUBE AT THIS LOCATION.



69
3.12
REF: N/A
21



PROJECT:	JUNIOR HIGH SCHOOL 6	ERECTOR:	THE THEUT COMPANY
LOCATION:	LAMAR CISD	1317 HWY. 71 WEST	1317 HWY. 71 WEST
		COLUMBUS, TX 78934	COLUMBUS, TX 78934
		979.732.2201	979.732.2201
DRAWN BY:	RA	DATE:	09.12.19
CHECKED BY:	ST	DATE:	09.12.19
1ST SUBMISSION	09.12.19	1ST REVISION	12.19.19
2ND REVISION (ENGINEERING)	4.16.20	NO	NO
DESCRIPTION	DRAWING SUBMISSION	DATE	

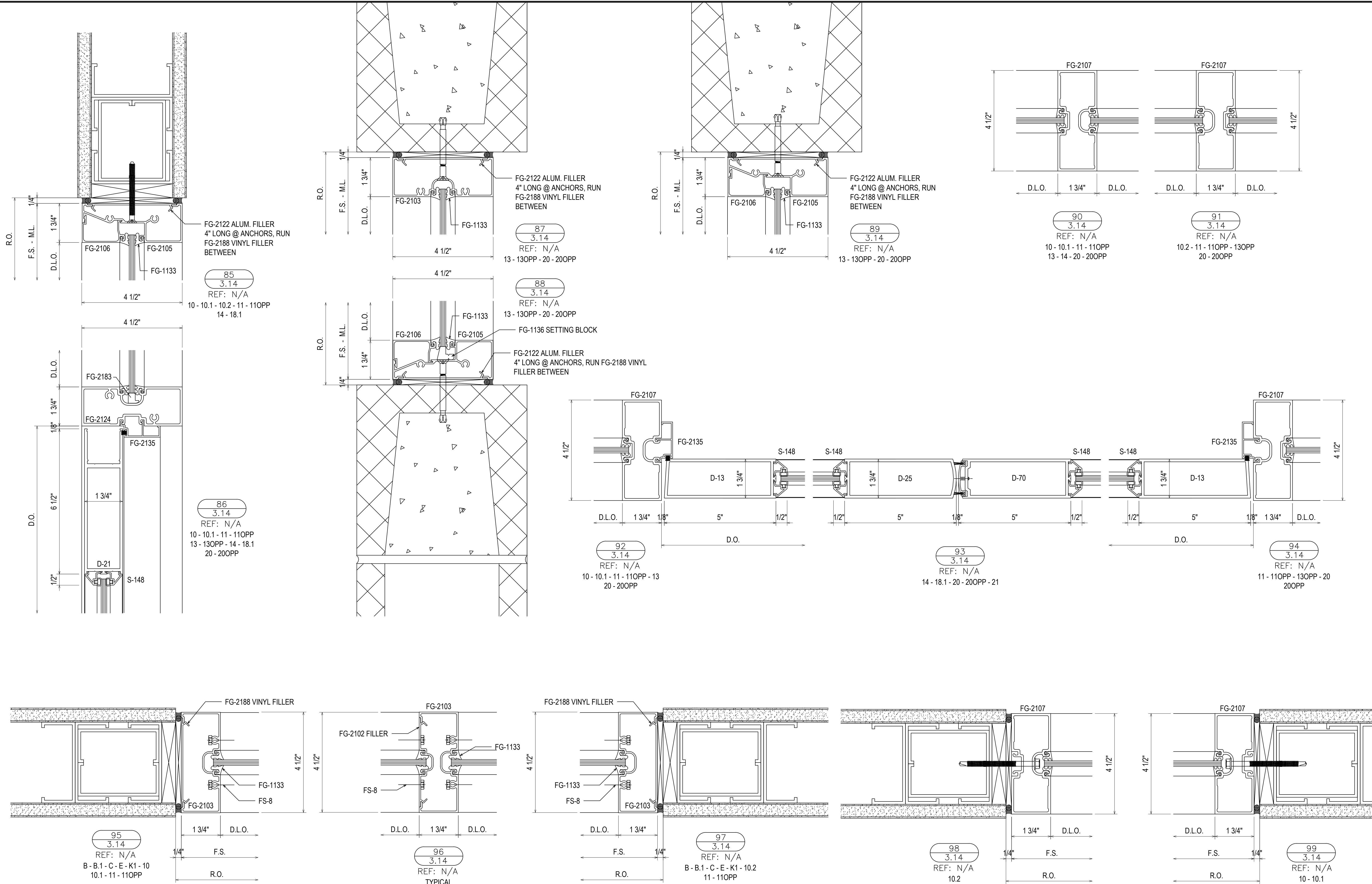


09.12.19	1ST SUBMISSION
12.19.19	1ST REVISION
4.16.20	2ND REVISION (ENGINEERING)
DATE	DESCRIPTION
	DRAWING SUBMISSION

ERECTOR:
THE THEUT COMPANY
 1317 HWY. 71 WEST
 COLUMBUS, TX 78934
 979.732.2201

PROJECT: JUNIOR HIGH SCHOOL 6
 LAMAR CISD
 LOCATION: 7500 KOEBLEN RD
 RICHMOND TX, 77469

DRAWN BY: RA	DATE: 09.12.19
CHECKED BY: ST	DATE: 09.12.19

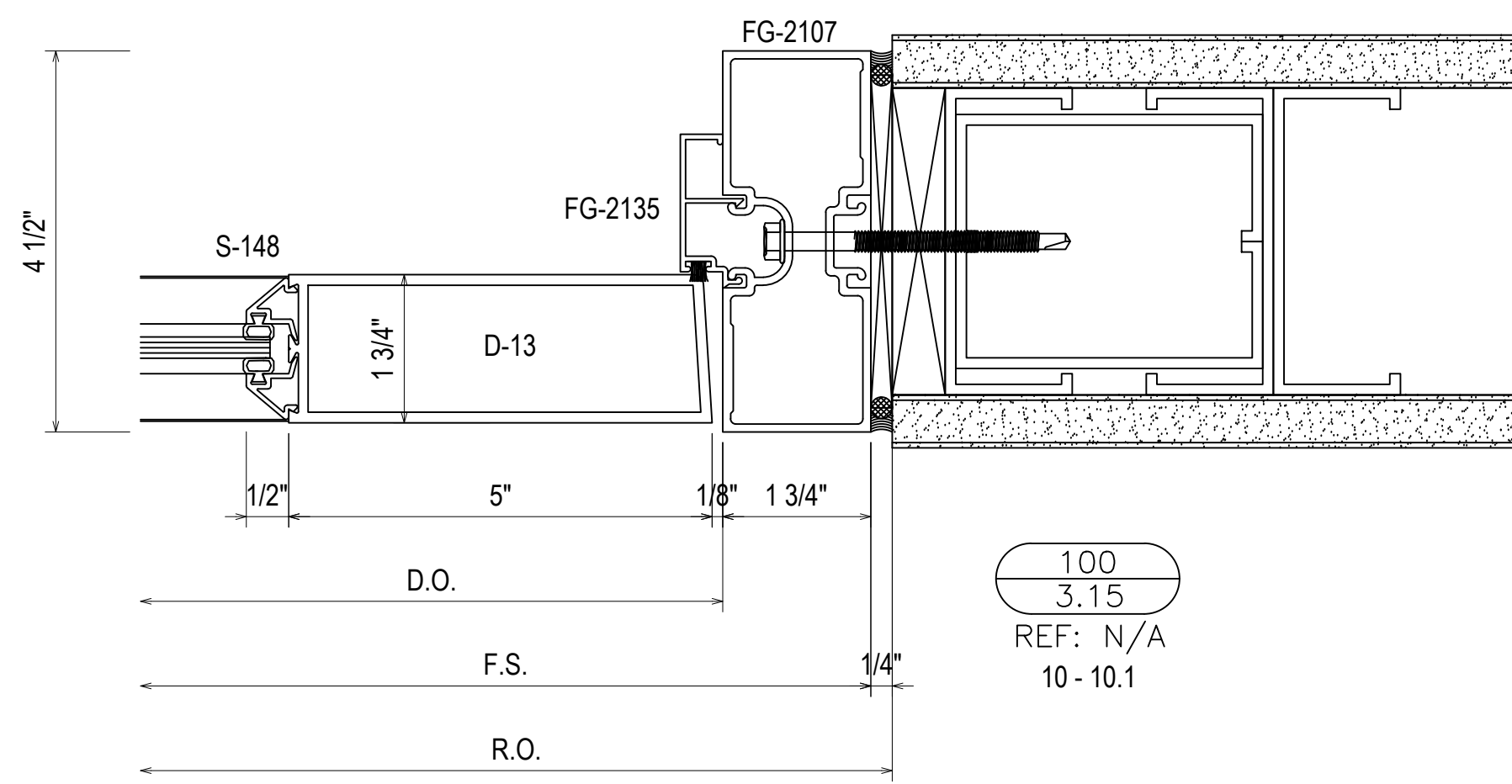


1ST SUBMISSION	09.12.19
1ST REVISION	12.19.19
2ND REVISION (ENGINEERING)	4.16.20
NO	DATE
NO	DESCRIPTION
NO	DRAWING SUBMISSION

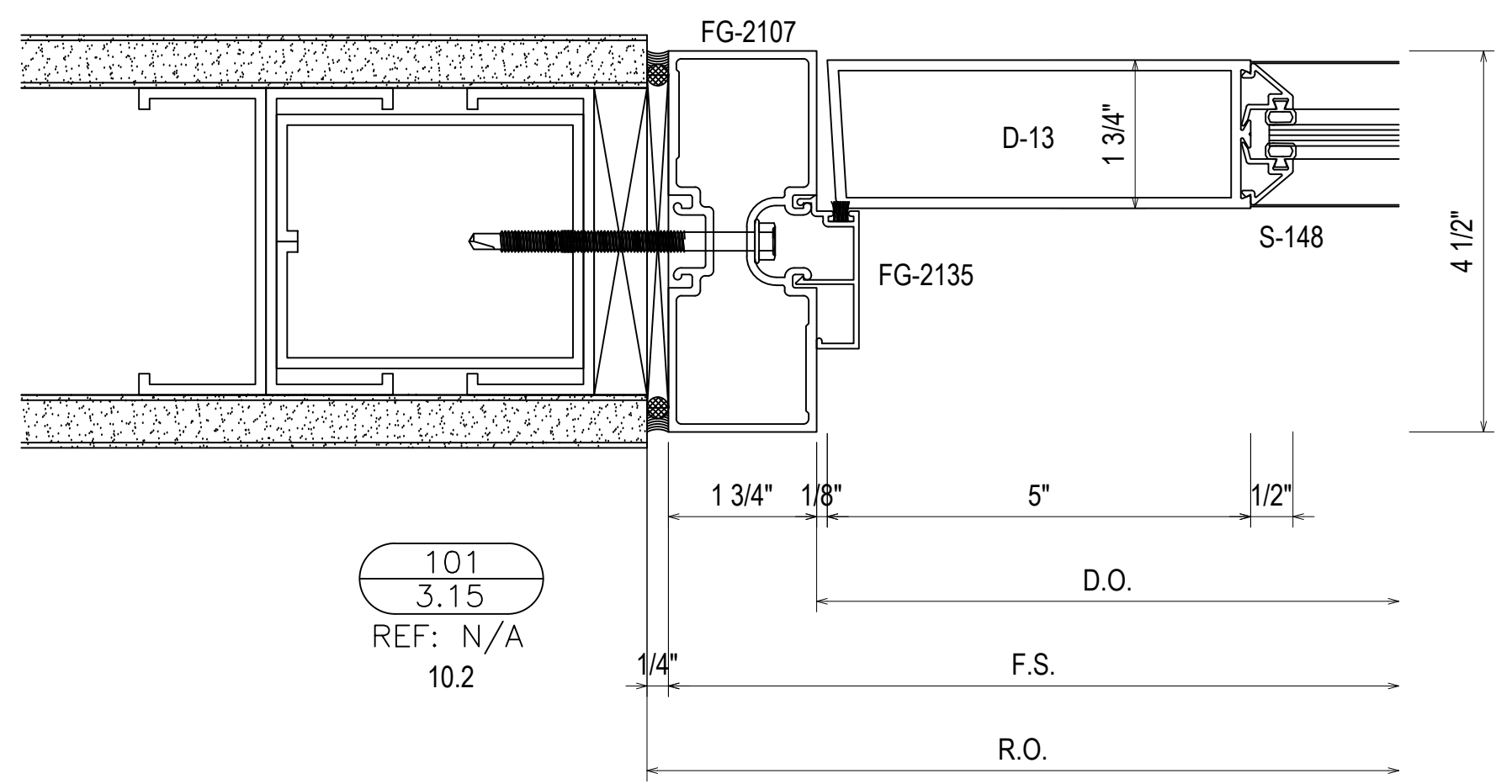
ERECTOR:
THE THEUT COMPANY
1317 HWY. 71 WEST
COLUMBUS, TX 78934
979.732.2201

PROJECT:
JUNIOR HIGH SCHOOL 6
LAMAR CISD
LOCATION:
7500 KOEBLEN RD
RICHMOND TX, 77469

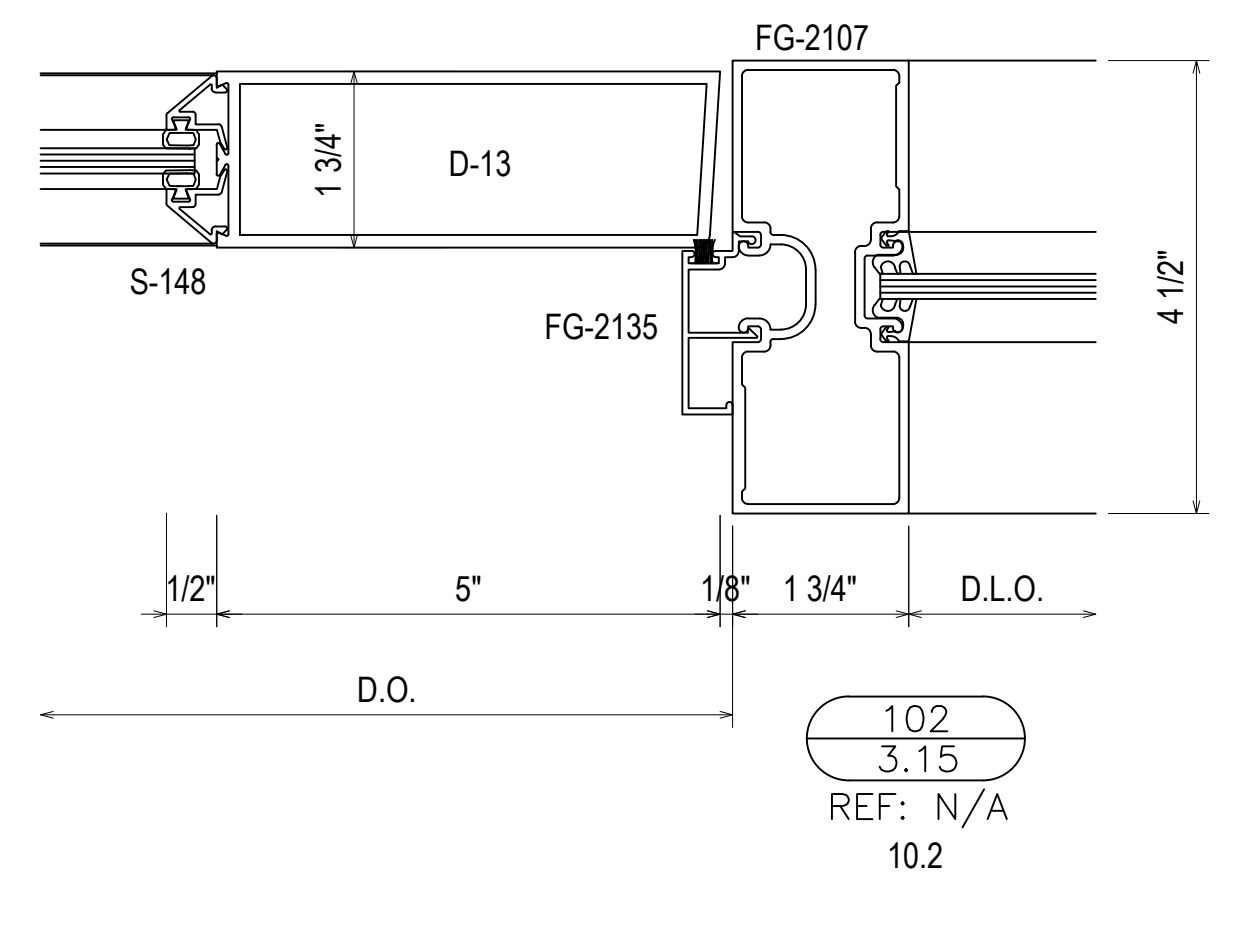
DRAWN BY: RA	DATE: 09.12.19
CHECKED BY: ST	DATE: 09.12.19



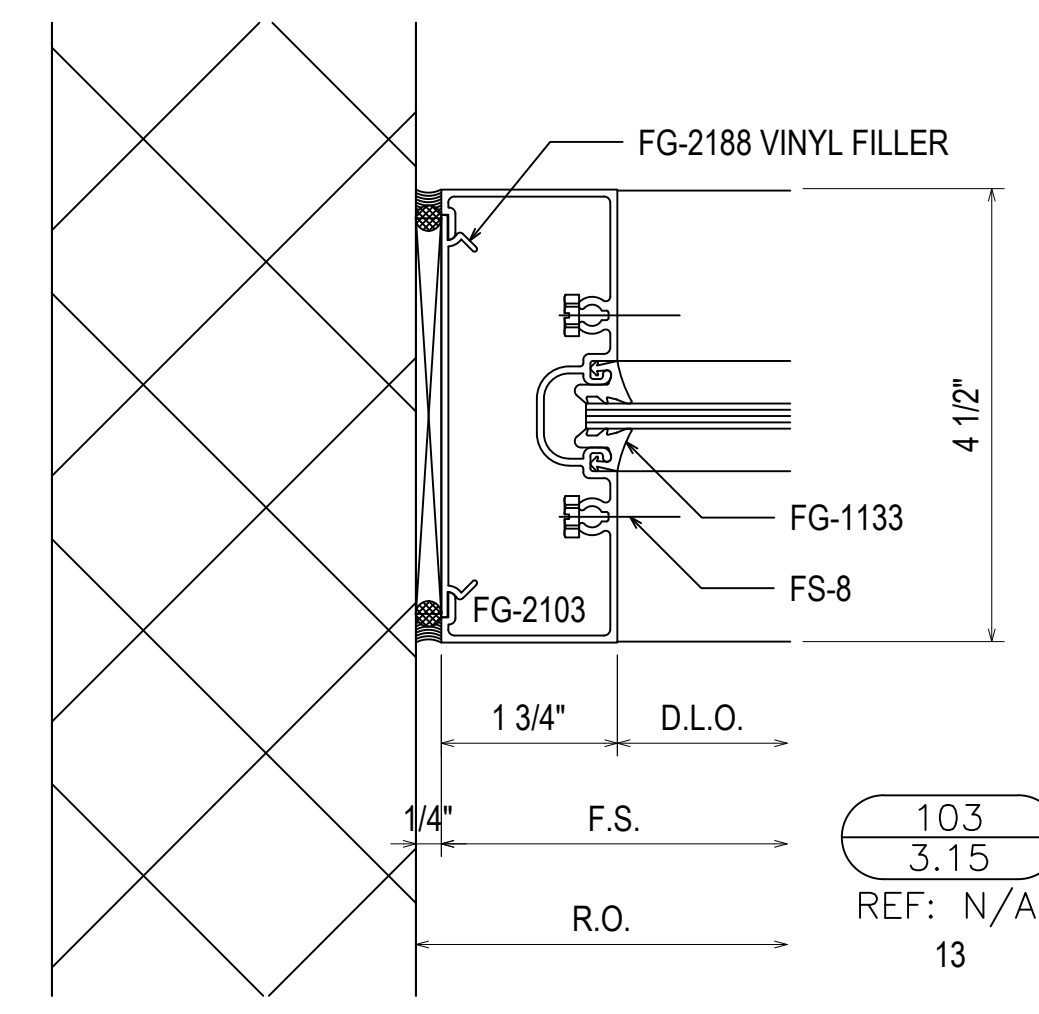
100
3.15
REF: N/A
10-10.1



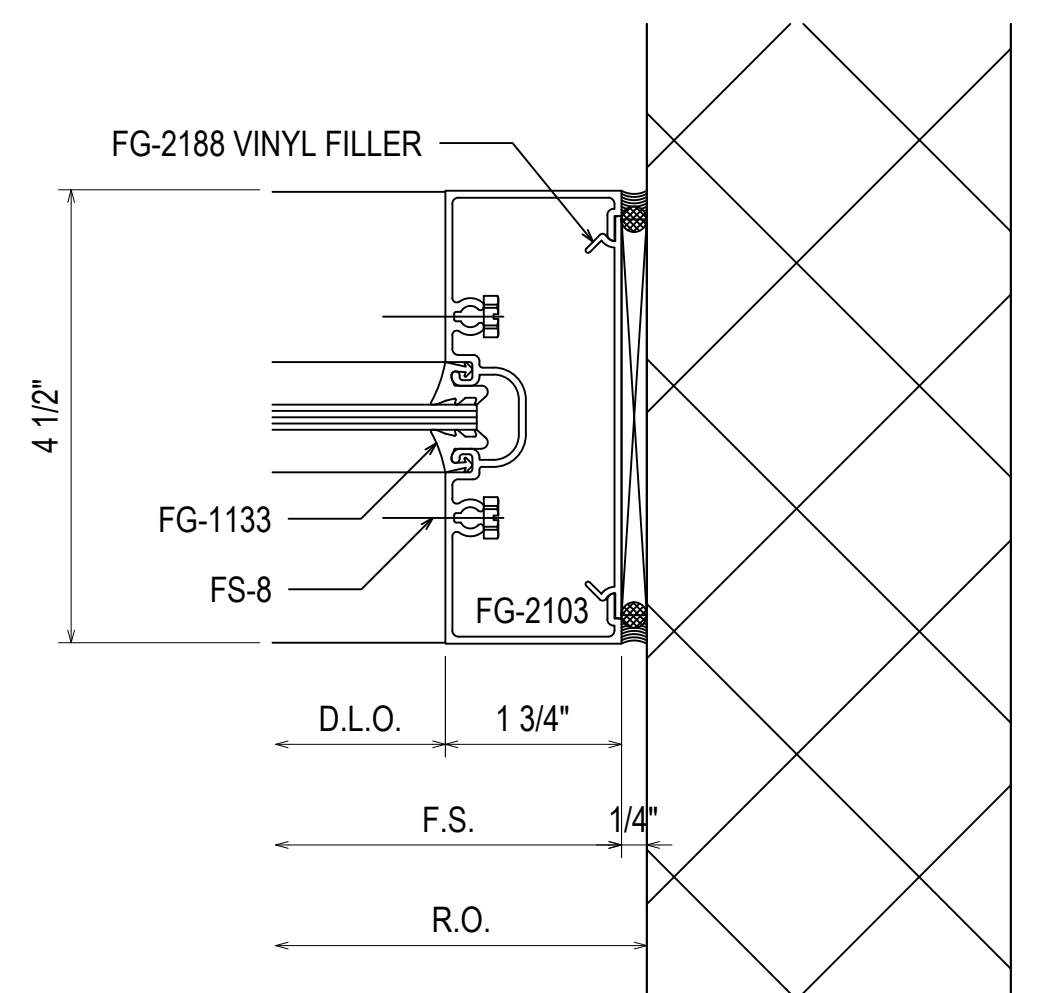
101
3.15
REF: N/A
10.2



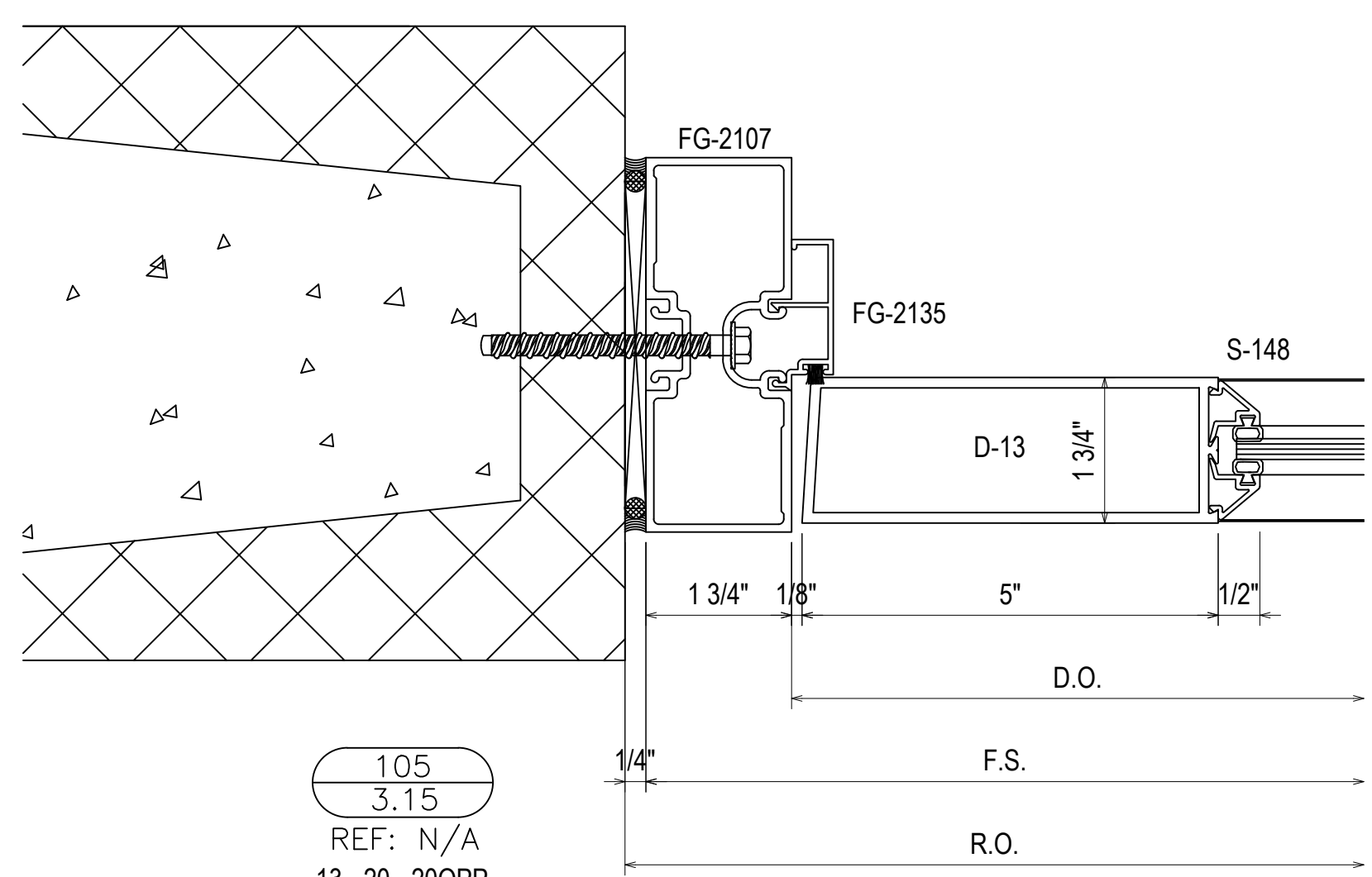
102
3.15
REF: N/A
10.2



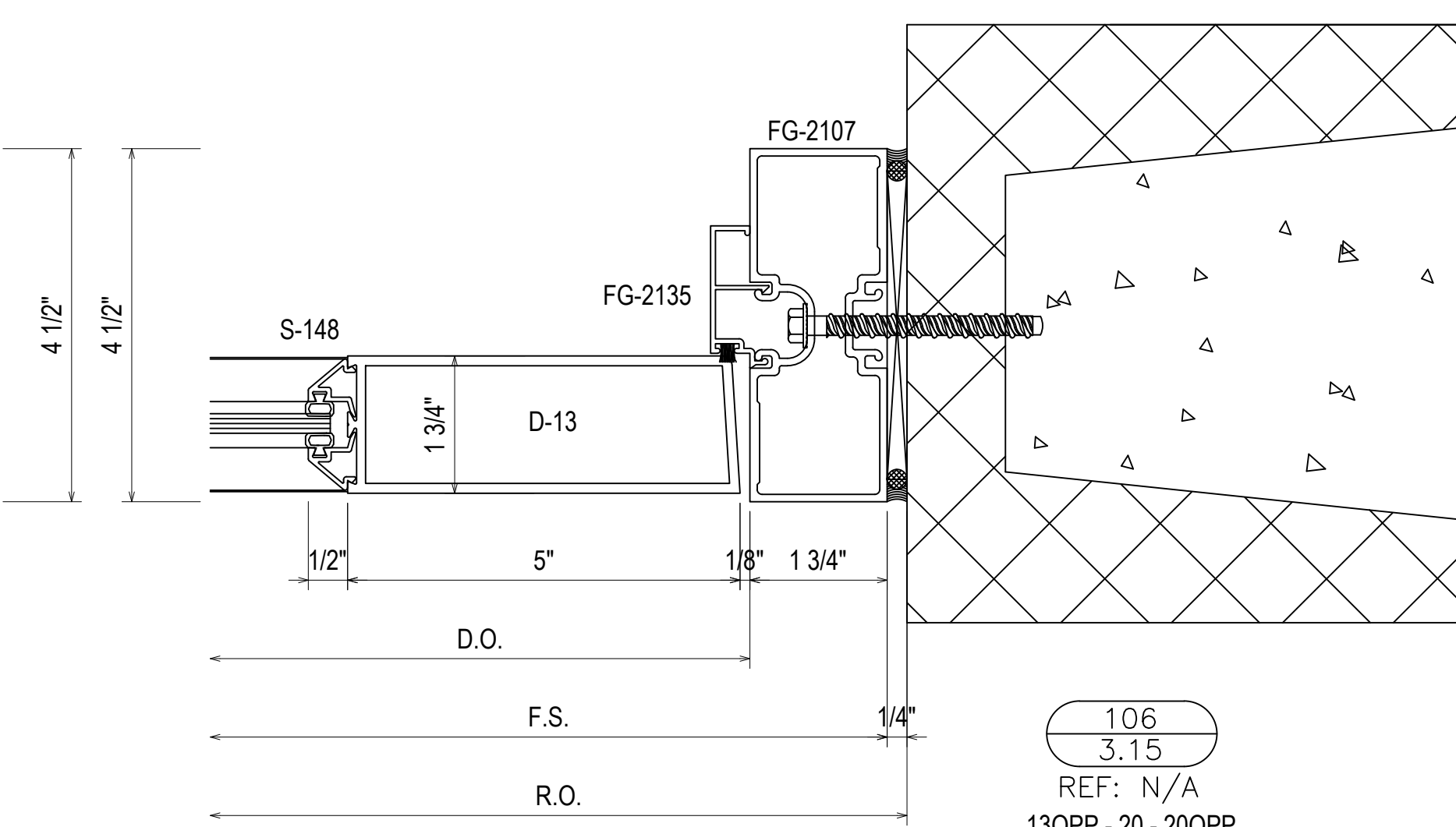
103
3.15
REF: N/A
13



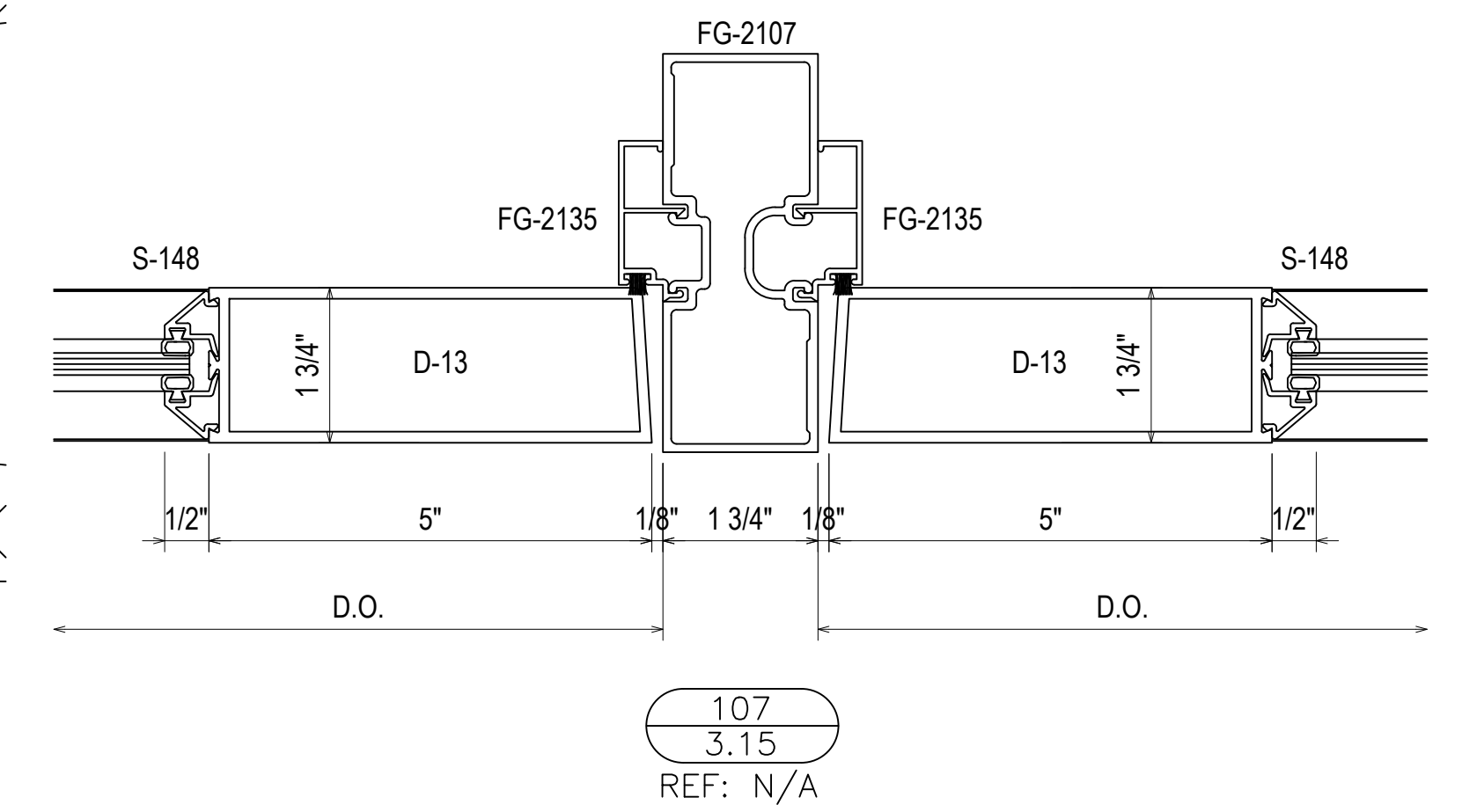
104
3.15
REF: N/A
13OPP



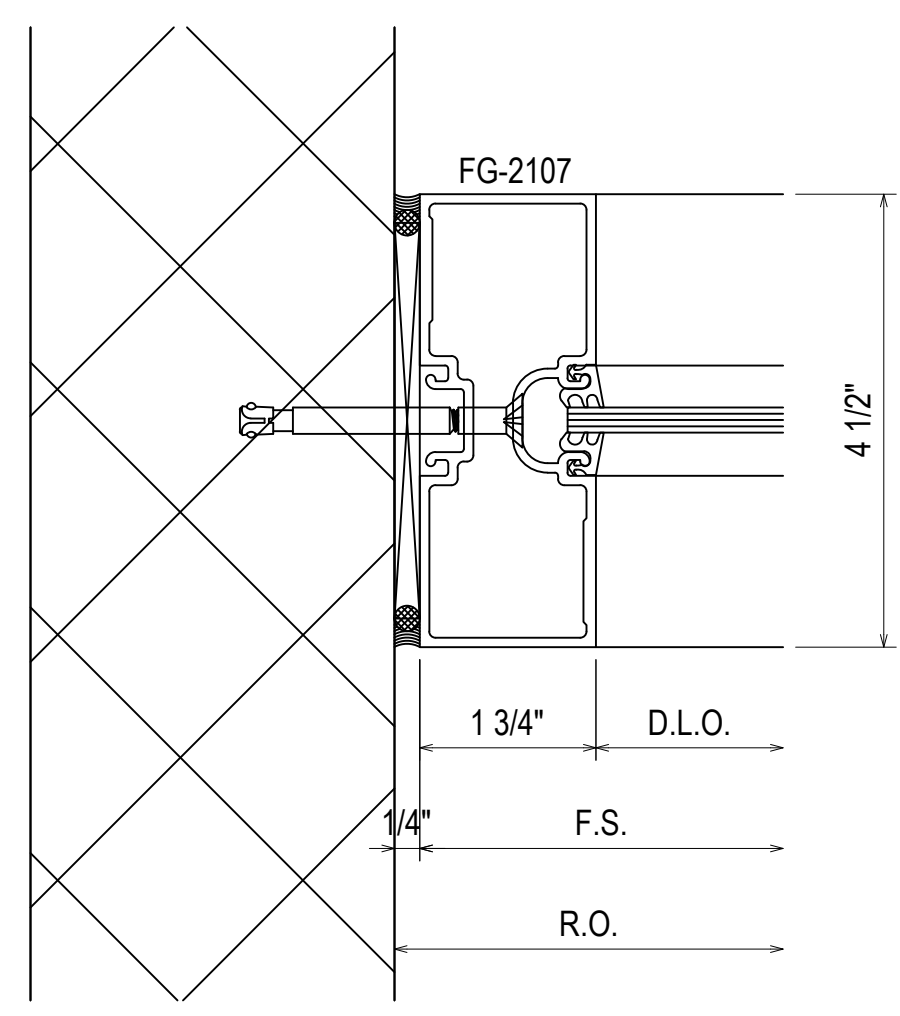
105
3.15
REF: N/A
13-20-20OPP



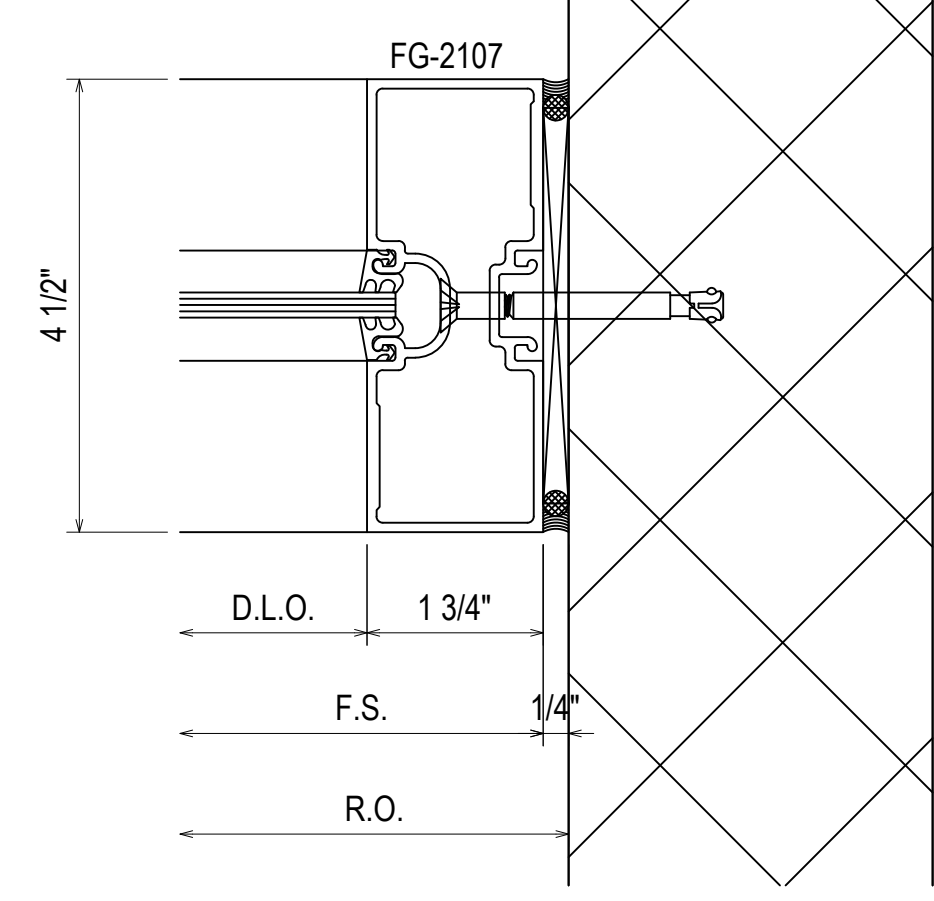
106
3.15
REF: N/A
13OPP-20-20OPP



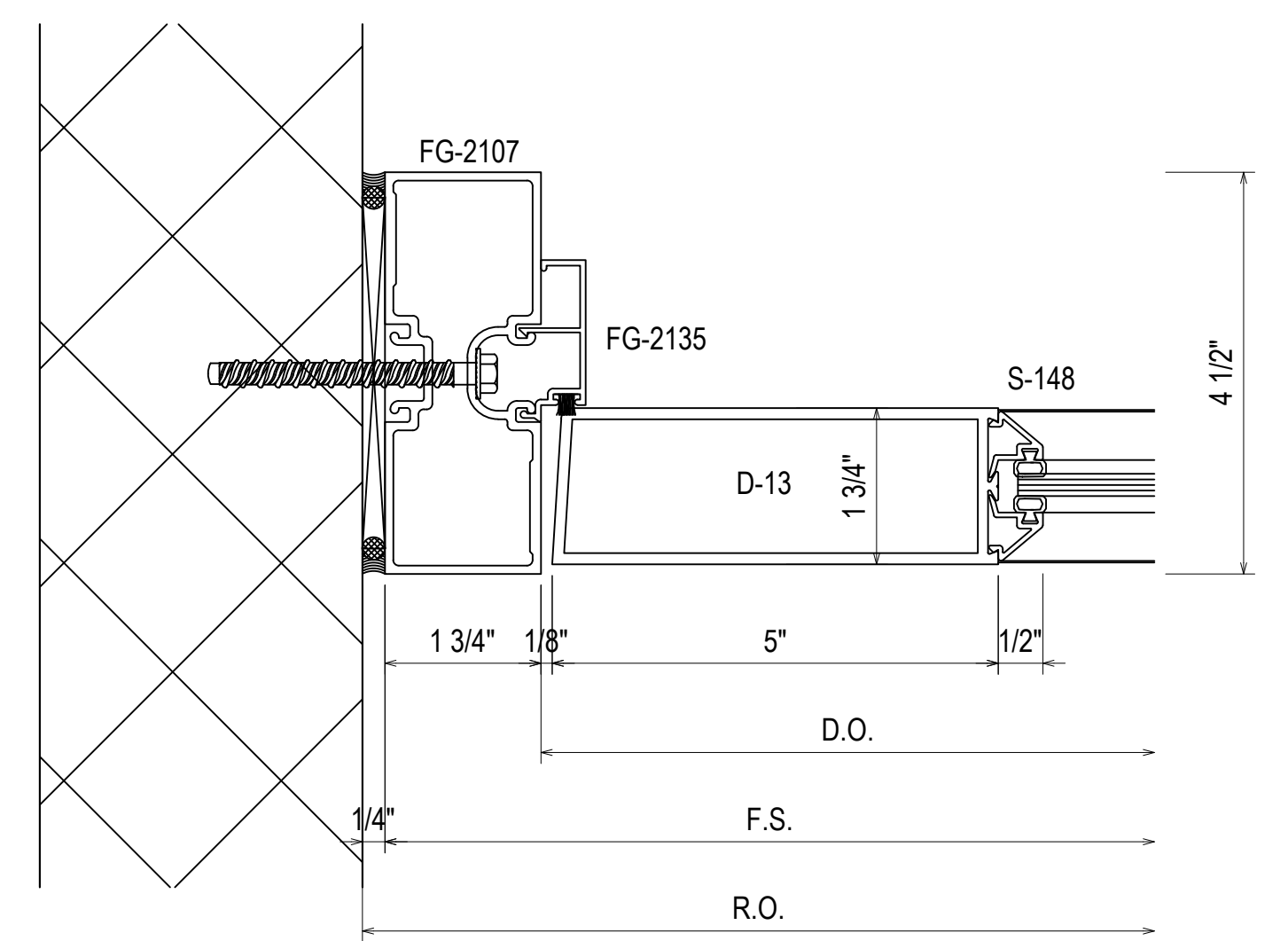
107
3.15
REF: N/A
14



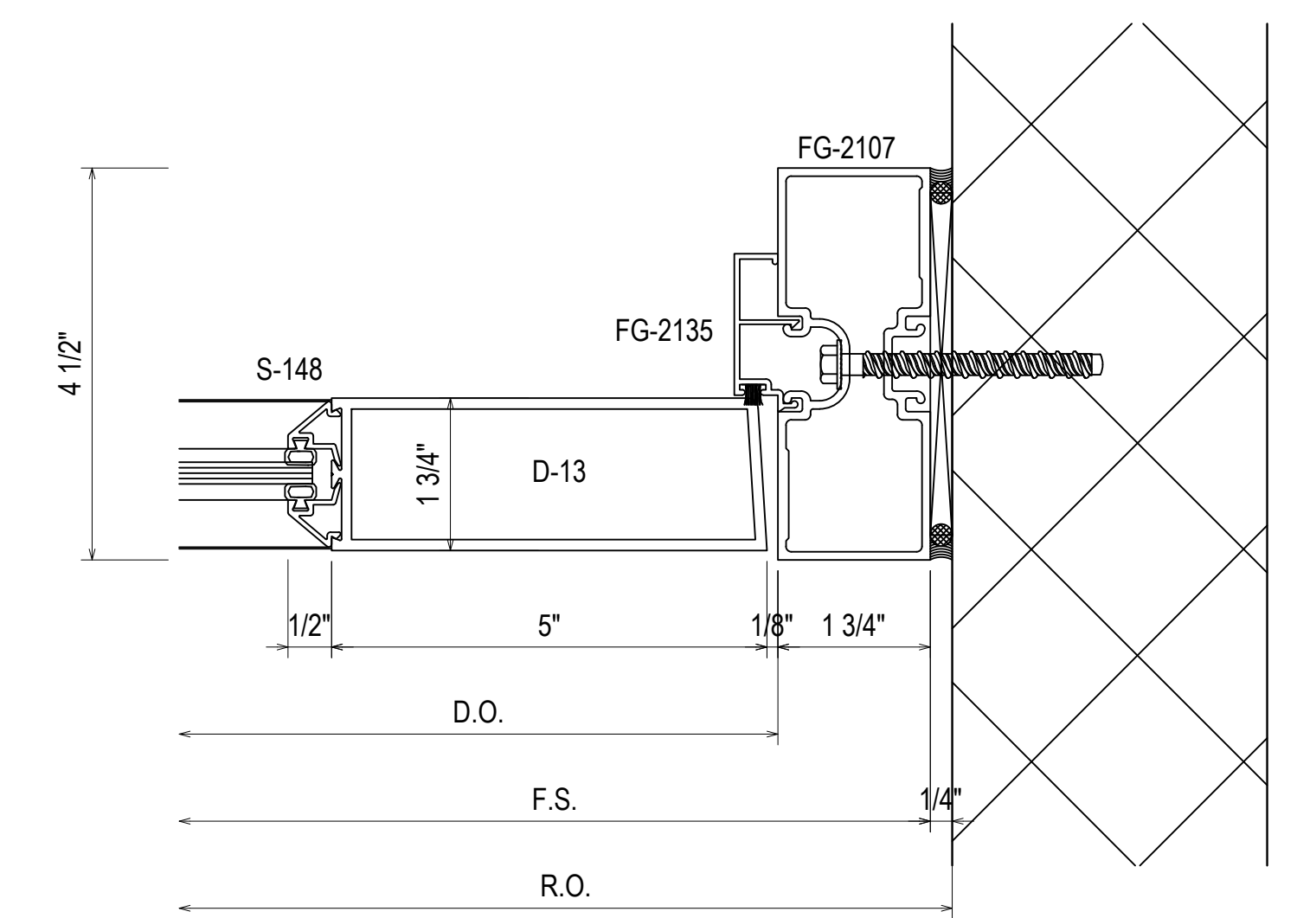
108
3.15
REF: N/A
13OPP-14-18.1-20-20OPP



109
3.15
REF: N/A
13-14-18.1-20-20OPP



110
3.15
REF: N/A
13OPP-14-18.1-20-20OPP



111
3.15
REF: N/A
13-14-18.1-20-20OPP

1ST SUBMISSION	09.12.19
1ST REVISION	12.19.19
2ND REVISION (ENGINEERING)	4.16.20
NO	DATE
DESCRIPTION	DRAWING SUBMISSION

ERECTOR:
THE THEUT COMPANY
1317 HWY. 71 WEST
COLUMBUS, TX 78934
979.732.2201

PROJECT: JUNIOR HIGH SCHOOL 6
LAMAR CISD
LOCATION: 7500 KOEBLEN RD
RICHMOND TX, 77469

DRAWN BY: RA	DATE: 09.12.19
CHECKED BY: ST	DATE: 09.12.19