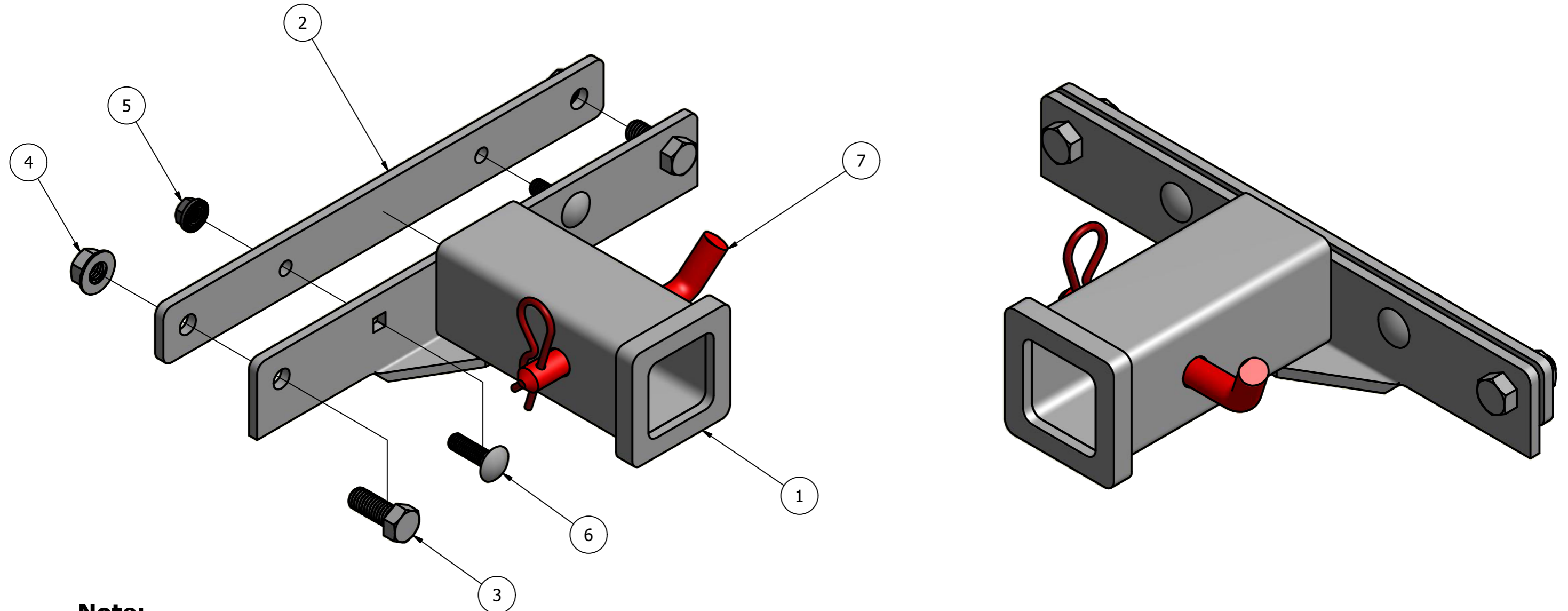


Scag V-Ride II Hitch

Part Number: DTHV2 (For 36-52" Scag V-Ride 2 Mowers, use DTHLG-UNI for 61" Scag V-Ride 2)



Note:

1) Modification of the unit is required to install item 5 & 6 - please reference #2 below for modification recommendation.

2) It is highly recommended that you mark & drill 2 inner holes with the supplied drill bits. This will ensure that there is no "flex" and provide a solid, rigid mount.

REVISION HISTORY	
REV	DATE
B	4/15/19

Parts List			
ITEM	QTY	PART NUMBER	DESCRIPTION
1	1	SVR2-01	D'ttach Scag V-Ride II Hitch
2	1	SVR2-BP	Backing Plate
3	2	69715125	1/2-13 X 1.25" Hex Bolt
4	2	697138FN	1/2-13 Flanged Nut
5	2	69730014	3/8-16 Flanged Nut
6	2	69713125	3/8-16 X 1.25" LG Square Neck Carriage Bolt
7	1	69860002	5/8 Hitch Pin w/ Cotter Pin