

Specifications

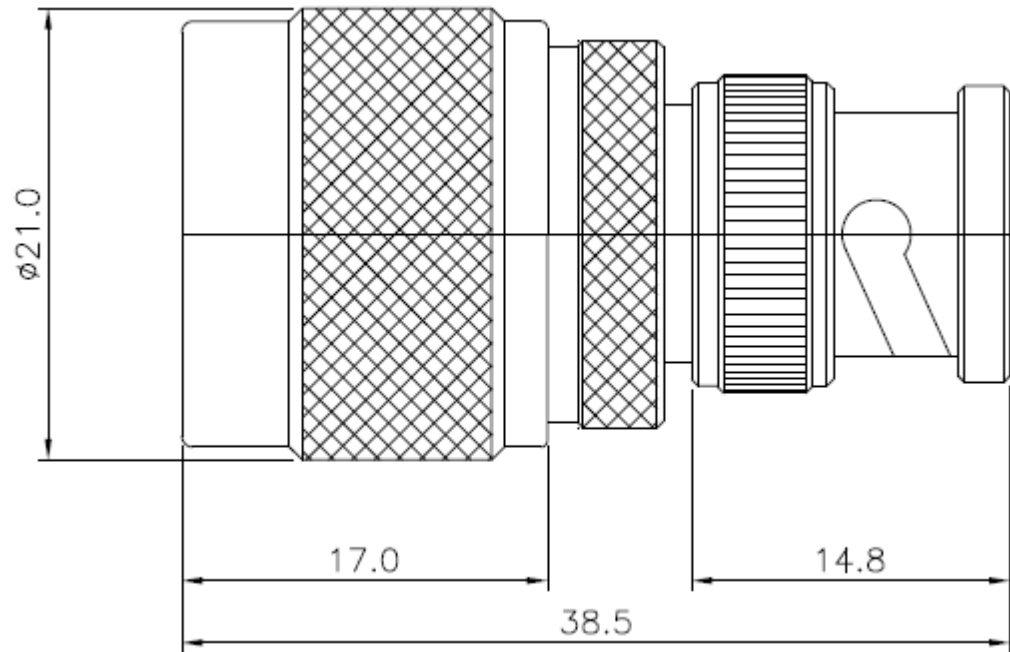
Frequency range: DC-4 GHz

Nominal Impedance: 50 Ohm

VSWR: 1 .20:1 max. @ 4 GHz

Oper. Temperature range ; -65C- +125C

RoHS Compliant



Adapter Part

Material

Plating

Coupling Cap

Zinc

Nickel

Body

Brass

Nickel

Center contact

Brass

Gold

Insulator

PTFE

N/A



Premier RF

17 Roslyn CT
 Patchogue, NY 11772
 PH: 631-447-3804
 sales@premierRF.com
 www.premierRF.com

Dimensions in mm	PART NUMBER	PRF-AD2M3M
03/10/2012	DESCRIPTION	N MALE TO BNC MALE ADAPTER, DC-4 GHz
APPROVED		
C. Smith		