

WICKETTS STAINLESS

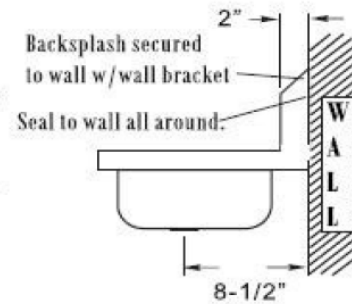
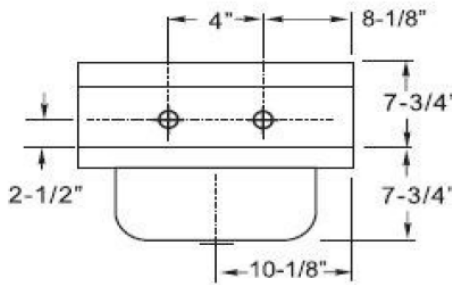
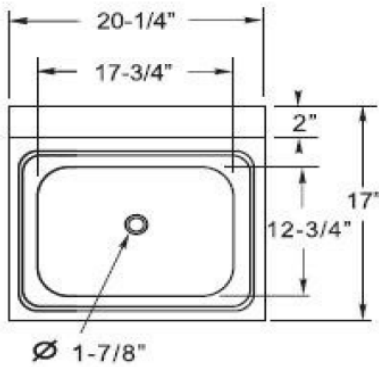
Stainless Steel Hand Sink
WHS 2017-WG LEAD FREE

SPECIFICATION



Type 304 Stainless Steel

- *Special polished satin finish.
- *304 stainless steel, 20 gauge.
- *Faucet & strainer included.



Product #	Description
WHS 2017-WG	20 X 17 Wall Mount Hand Sink With Lead Free Faucet

WICKETTS STAINLESS, LLC
2618 San Miguel Dr. Bldg.# 376
Newport Beach, CA 92660
Tel.(951)-858-2548
Fax.(951)-638-9059
sales@wickettsstainless.com
www.wickettsstainless.com



Approved for Manufacturing
Company: _____
Signature: _____
Print: _____ Date: ____/____/____