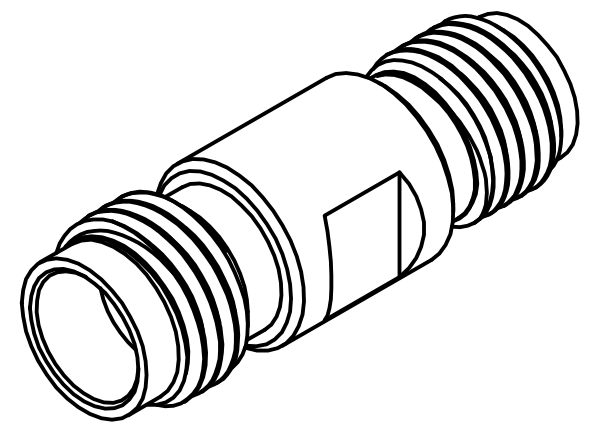
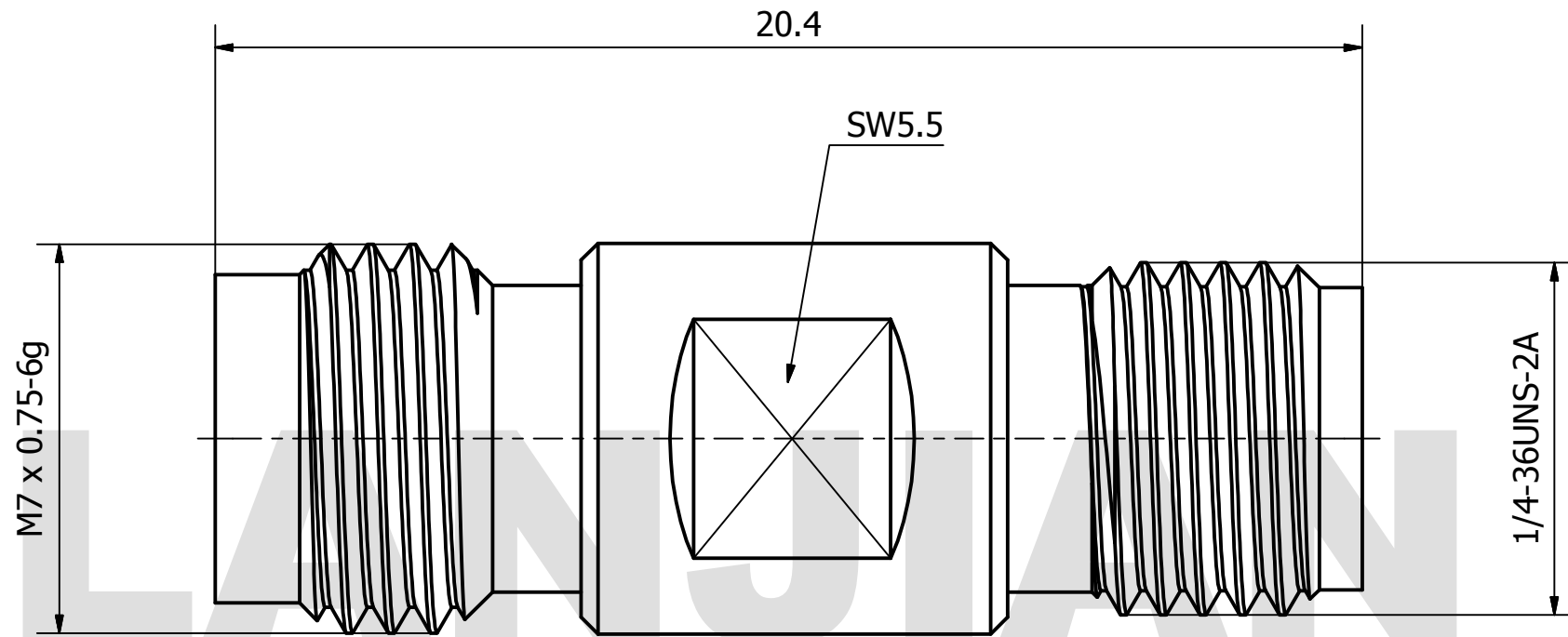


PRODUCT DATA SHEET



MATERIAL:
 BODY: STAINLESS STEEL PER AMS-5640,
 ALLOY UNS S30300
 CONTACT: BERYLLIUM COPPER PER ASTM B196.
 ALLOY NO. UNS C17300
 INSULATOR: PEI

PERFORMANCE:
 IMPEDANCE: 50 OHMS
 FREQUENCY: DC TO 40 GHz
 VSWR: ≤1.30

THIS DOCUMENT CONTAINS CONFIDENTIAL AND PROPRIETARY INFORMATION THAT CANNOT BE REPRODUCED OR DIVULGED, IN WHOLE OR IN PART, WITHOUT WRITTEN AUTHORIZATION FROM "LANJIAN ELECTRONICS"	MATERIAL :			LANJIAN ELECTRONICS 38 Hengtong Road, Xinqu Dingmao Zhenjiang, 212009, Jiangsu, P. R. China
	UNLESS OTHERWISE SPECIFIED: DIMENSIONS IN MM			
	TOLERANCES :			
	X.X	± 0.20	ANGULAR : ± 1°	DEBURR AND BREAK SHARP EDGES
	X.XX	± 0.10	FILLETS R/C : ± 0.10	
	X.XXX	± 0.01	SURFACE FINISH : Ra 1.6	
		NAME	DATE	SIGNATURE
	DRAWN			
	CHK'D			
	APPV'D			
MFG				
PROJECTION		SIZE	SCALE	DWG No.
		A3	8 : 1	GCPZ3.640.C.030
DO NOT SCALE THE DRAWING				REV.
				PAGE 1 / 1

TITLE
2.92/1.85-KK straight adaptor