

# Canon

CANON SOLUTIONS AMERICA



CANON SEE IMPOSSIBLE



FLEXIBLE WORKFLOW

EFFORTLESS OPERATION

SECURE DOCUMENT MANAGEMENT

INSTANT PRODUCTIVITY

ECO-FRIENDLY SYSTEM

MONOCHROME TECHNICAL PRINTS

PRINT, COPY, AND SCAN

## OCÉ PLOTWAVE 450/550 PRINTING SYSTEMS

Large format technical document management with advanced security

8/10 D-size per minute, 2-4 rolls



OCÉ PLOTWAVE 450/550 PRINTING SYSTEMS



A CANON COMPANY



PRINTER ONLY, 2 ROLLS



MULTIFUNCTION, 4 ROLLS



WITH OPTIONAL  
OCÉ DELIVERY TRAY



WITH OPTIONAL  
OCÉ PLOTWAVE FOLDER  
AND FOLDER CONNECTION KIT

## OCÉ PLOTWAVE 450/550 PRINTING SYSTEMS

### Flexible and secure technical document management for professionals

- Printer only or multifunction (print/copy/scan) system with integrated scanner
- Integrated Top Delivery Tray (neatly collates and stacks up to 100 E-size plots)
- Océ ClearConnect panel (intuitive touchscreen interface system)
- Cloud integrated workflow option (scan to/print from cloud)
- Proven Océ core technologies deliver unmatched productivity
- Dual or optional quad roll media capability (up to 650 feet per roll)
- Portfolio of options to add additional levels of security

### NEW FEATURES!

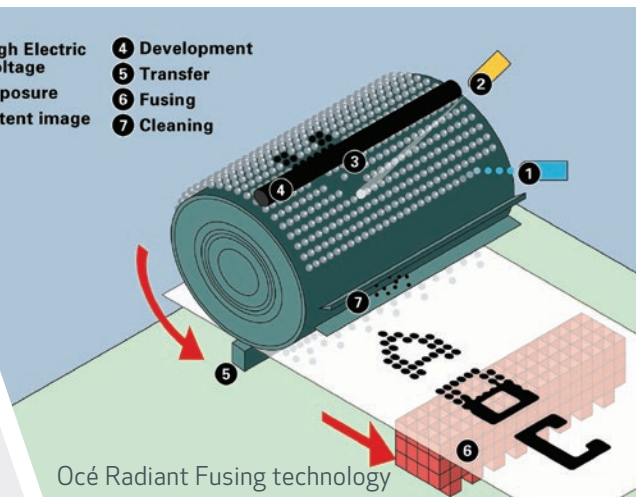
- Océ POWERsync Controller with Microsoft Windows 8 Embedded, 64 bit
- Scan Templates (customize and save your specifications)
- Advanced security options
- UniFLOW on the Océ ClearConnect user interface (optional)
- Compatible with Océ Publisher Select™ 2 job submission software
- EPEAT Bronze compliant
- Compatible with Océ PlotWave Folder



Océ ClearConnect User Interface



- 1 High Electric Voltage
- 2 Exposure
- 3 Latent image
- 4 Development
- 5 Transfer
- 6 Fusing
- 7 Cleaning



## Large format technical document management with advanced security

Designed for CAD professionals, the Océ PlotWave® 450 and Océ PlotWave 550 printing systems address end-to-end technical document workflow. From print drivers and job submission software to neatly stacked and collated documents, you can depend on our solutions, developed to meet and exceed real world needs for decentralized or centralized (print room) environments with mid- to large-sized CAD workgroups.

Touch the new way of walk-up printing, copying, and scanning with the large Océ ClearConnect color touchscreen interface. Using the same multi-touch gestures as tablet computers and high-end smartphones, you can easily control the printer, copier, and scanner with your fingertips. Tap, pinch, swipe, flick, spread, and more. Zoom in on details of a drawing. Print from and scan to your cloud of choice, USB flash drive, or network folder. Configure the Océ Smart Inbox and send print files and jobs to a project or personal folder. Then simply walk up and select your files or jobs you wish to print. Documents are output to the integrated Top Delivery Tray using air separation for neatly stacked and collated documents.

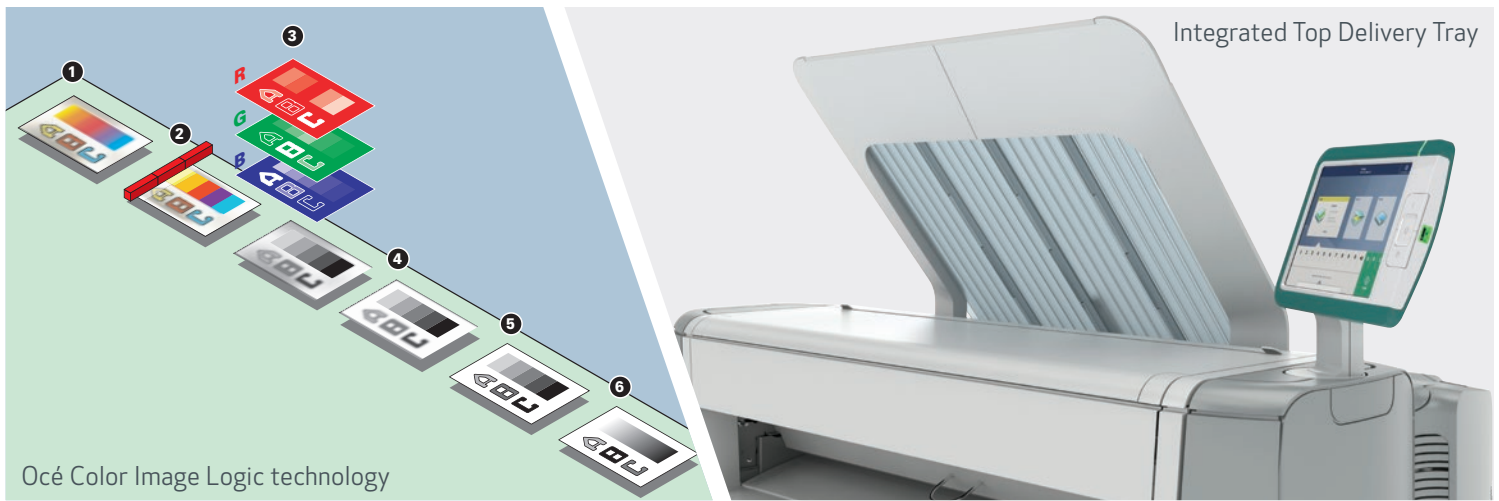
## Océ core technologies

### OCÉ RADIANT FUSING TECHNOLOGY

An eco-friendly fusing method providing instant-on with no warm-up time required. It consumes less energy and emits less noise when compared to conventional fusing.

Work faster by minimizing waiting time. Enables quick printer availability even from sleep mode. From cold sleep to print in hand — in less than 30 seconds. Compared to a slow three minutes for conventional large format printers, Océ Radiant Fusing technology can save up to an hour per day in printing delays.

Reduce energy usage with Energy Star-approved Océ Radiant Fusing technology. During the fusing process, the toner melts and is fused to the media via heat rising from a grid of wires, without distorting the image. With no conventional pressure rollers required, a lower temperature can be maintained. Since the system heats and cools instantly, there is no need for noisy fans, and the system runs “whisper quiet” in stand-by, ready, and sleep modes. Océ Radiant Fusing technology results in sharper printed output, while preventing resolution loss, dot size degradation, and line fuzziness as a result of the toner melting exactly where it is placed on the media.



Integrated Top Delivery Tray

Océ Color Image Logic technology

### OCÉ COLOR IMAGE LOGIC TECHNOLOGY

Developed and patented with the objective that 99% of all originals should be copied and scanned with the right quality the first time without any operator intervention. This improves efficiency as the process of copying and scanning can be a very time-consuming task. Technical document originals, even if imperfect — including dark backgrounds, fold lines, wrinkles, or text — result in quality copies and scans the first time.

### New technologies!

#### OCÉ POWERSYNC CONTROLLER WITH MICROSOFT WINDOWS 8 EMBEDDED, 64 BIT

Engineered to handle complex operations efficiently, from enriched document previews to processing complex PDF files. The system is driven by a Microsoft® Windows® 8 Embedded platform, offering the latest security features to protect confidential documents.

#### SCAN TEMPLATES — CUSTOMIZE AND SAVE YOUR SPECIFICATIONS

In the daily scan workflows of enterprises, there is a strong need for the standardization of scan jobs for consistency. In order to increase the scan productivity even more, the Océ PlotWave 450/550 printing systems introduce scan templates accessible on the home screen of the Océ ClearConnect user panel. You can define up to 200 templates via Océ Express WebTools software. All settings available within the scan menu can be stored in one template and named for easy recognition (for example, original type, file type, resolution, destination, filename prefix, etc.).

### ADVANCED SECURITY OPTIONS

#### Removable Hard Drive

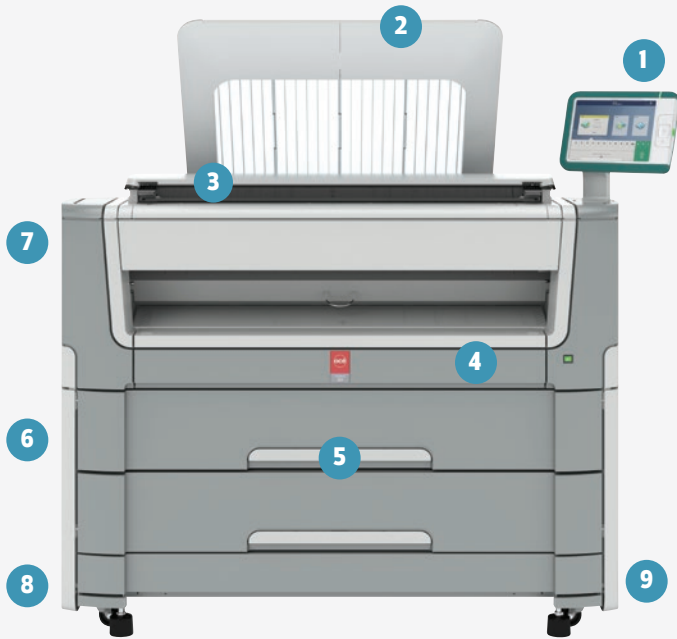
Removable Hard Drive Kit with option for additional hard drive to physically remove and lock away the system's hard drive.

#### Access Management

Require users to authenticate themselves via the Océ ClearConnect touchscreen interface or via a supported third-party Smart Card Reader.

#### Disk Encryption

Windows Bit Locker Drive Encryption provides data protection for the controller via a Trusted Platform Module (TPM) microchip. Both the TPM and the Bit Locker functionality used for data encryption are FIPS 140-2 level 1 validated.



### 1 FAST AND EASY WITH OCE CLEARCONNECT PANEL

- Touchscreen with multi-touch gestures for tablet/smartphone-like interaction.
- Easily control printer and scanner/copier with your fingertips using the simple screen movements.
- Swipe, spread, and zoom in on details of a drawing.
- Live Preview function to confirm documents are correctly scanned to avoid errors.

### 2 NEAT DOCUMENT DELIVERY

- Integrated Top Delivery Tray neatly stacks and collates up to 100 E-size/A0 documents.
- Air separation technology prevents large documents from cascading onto the floor like conventional top stackers.
- Optional Océ Delivery Tray provides additional 150 sheets (E-size/A0) capacity.
- Optional Océ PlotWave Folder.

### 3 GET BETTER COPY AND COLOR SCANNING RESULTS

- Océ Image Logic® technology automatically compensates for wrinkled and light-colored originals to produce superior results.
- Originals are inserted face-up and width of original is detected automatically.
- Create one-touch Scan Templates to capture commonly used settings or to require standardized scan settings.

### 4 INSTANT PRODUCTIVITY WITH OCE RADIANT FUSING TECHNOLOGY

- Get instant start-up and use half the energy of comparable systems.
- Fast first print out. From cold sleep to print in hand in less than 30 seconds.
- Increase productivity even more with the second media drawer option for multiple width rolls or longer unattended printing.

### 5 EFFORTLESS ROLL CHANGING

- Up to 650-foot roll length for maximum efficiency.
- Built-in roll loading station in each drawer.
- Media is auto-fed into the printer and roll width is auto-detected and displayed on the Océ ClearConnect touchscreen display.

### 6 RELIABLE QUALITY AND PERFORMANCE

- Take advantage of superb print quality with high resolution Pico Printing at 600 x 1200 dpi.
- Award-winning industrial design with robust and durable materials.
- Extensively used areas of the printer are fabricated out of metal for commercial duty.

### 7 ECO-FRIENDLY SYSTEM

- This system has the lowest sound levels and heat compared to conventional fusing systems which operate on heat and pressure rollers and fans.
- Can be located and operated within workgroup environments.
- Closed toner system is easy to refill with no clumsy toner cartridges to unscrew or spill. Toner can be added while printing.

### 8 PRODUCTIVE AND SECURE OCE POWERSYNC CONTROLLER

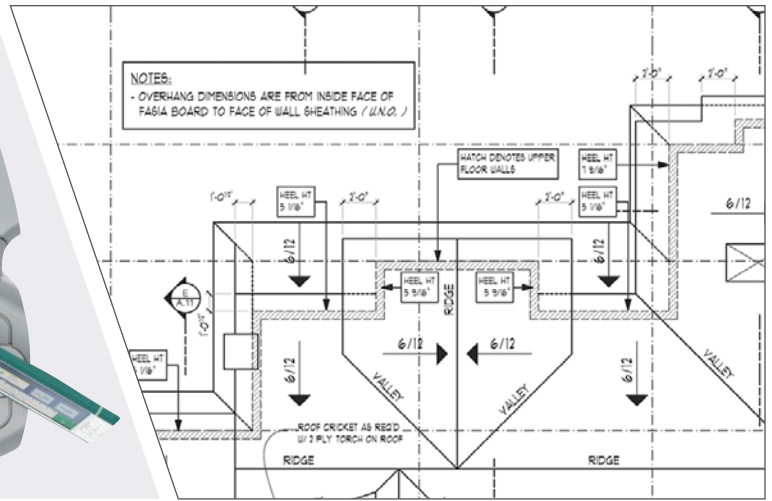
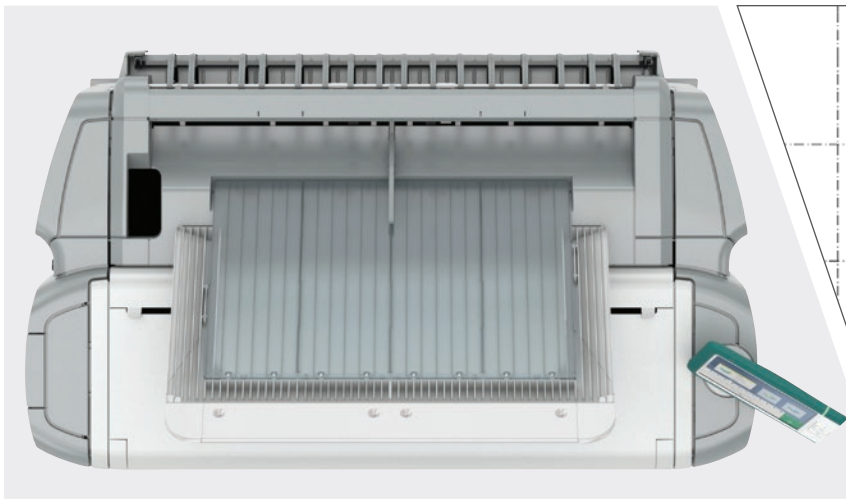
- Get the power to handle large and complex technical documents thanks to the productive Océ POWERsync Controller.
- Concurrency. Scan and copy while printing.
- Protect confidential information with the latest security and protection features supported by a Microsoft Windows 8 embedded platform.
- The open interface of the Océ POWERsync Controller enables the printer to embed software like uniFLOW.

### 9 FLEXIBLE WORKFLOW

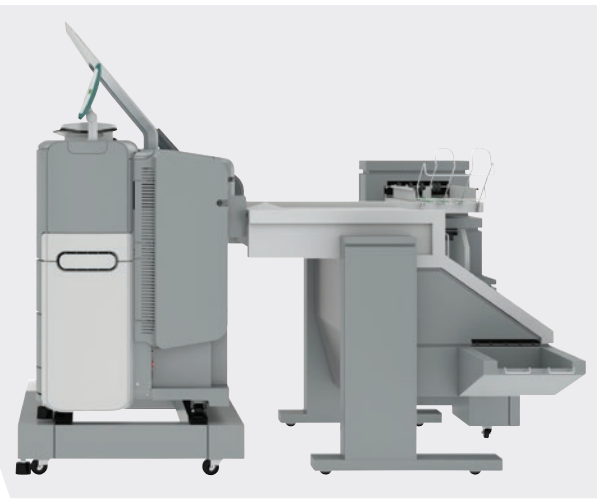
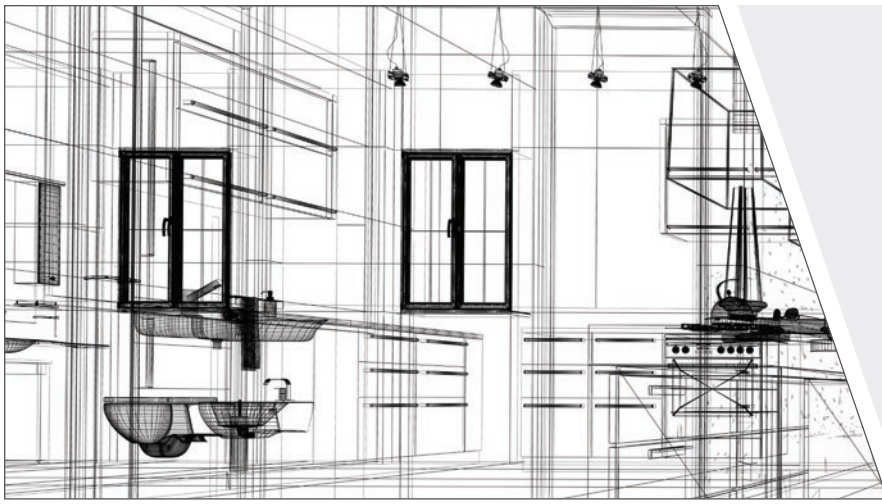
- This system is designed to make it easier to prepare, produce, and manage complex technical documents and sets of drawings.
- Advanced tools make it easy to get documents where you need them, when you need them.



| PRINT SYSTEM   |   |
|--|---|
| 2 rolls (standard) or 4 rolls printing system                  | Productive large format monochrome printer with Océ ClearConnect multi-touch user panel   |
| Stacking systems (standard)                                    | Integrated Top Delivery Tray. Up to 100 sheets E-size/A0 capacity   |
| Océ ClearConnect multi-touch user interface (standard)         | Consistent look and feel from every angle of your workflow, standard including Océ Smart Inbox, Océ SmartAccess, and Océ Live Preview   |
| Océ media switch (standard)                                    | Fully automated media switch guides the printed documents to the top delivery tray or back output depending on the user application   |
| Océ ClearConnect Workflow software (standard)                  | Océ Wide Format Printer Driver 2 for Microsoft Windows, Océ PostScript® 3 driver, Océ Mobile WebTools for Apple® iOS, Google Android™ and BlackBerry®, Océ Publisher Mobile for IOS and Android, Océ Publisher Express, Océ Publisher Select 2                                    |
| Productive scanning system (optional)                          | Océ Scanner Express with Océ Image Logic technology   |
| Folding systems (optional)                                     | Océ PlotWave Folder, Océ PlotWave Folder Connection Kit, Optional Belt Delivery Unit. Océ PlotWave Folder is fully-integrated (Level 3) with printer.   |
| Stacking systems (optional)                                    | Océ Delivery Tray provides an additional 150 sheets (E-size/A0) capacity. Increases total stacking capacity from 100 (Top Delivery Tray) to 250 sheets.   |
| Media capacity upgrade (optional)                              | Four roll printer option (addition of second media drawer) to increase media capacity from 3,900 to 7,800 ft. <sup>2</sup> (365 to 730 m <sup>2</sup> )   |
| Workflow software (optional)                                   | Océ Direct Print Pro, Océ Direct Print, Océ Publisher Select 2, Adobe® PostScript 3™/PDF file interpreter, Océ Repro Desk®, Océ Account Center, Océ View Station  |
| Hardware (optional)  | Four roll printer, Océ Scanner Express, Removable hard disk, Climate Control, Océ PlotWave Folder and Océ PlotWave Folder Connection Kit, Océ Delivery Tray, TPM module (required with Disk Encryption option)  |
| Starter kit includes   | 1 bottle toner (400 g), 1 bottle developer (1,750 g), 1 roll 36" 20 lb. bond paper (75 g/m <sup>2</sup> )   |
| GENERAL  |   |
| Fast print speed   | Print speed up to 8 ppm D-size/A1 (Océ PlotWave 450 printer), up to 10 ppm D-size/A1 (Océ PlotWave 550 printer)<br>1-click printing from USB<br>1-click printing from Océ Smart Inbox or last send job (Océ SmartAccess)<br>Instant start-up due to Océ Radiant Fusing technology |
| Virtually Silent* in Standby and Sleep (*under 25 dB)          | Radiant Fusing technology eliminates noise  |
| Accelerated first print out time from standby mode (D-size/A1) | 16 seconds  |
| Accelerated first copy out time from standby mode (D-size/A1)  | 19 seconds  |
| Average first print out time from sleep mode (D-size/A1)       | 30 seconds (including 1-click USB printing, file processing, top delivery)  |

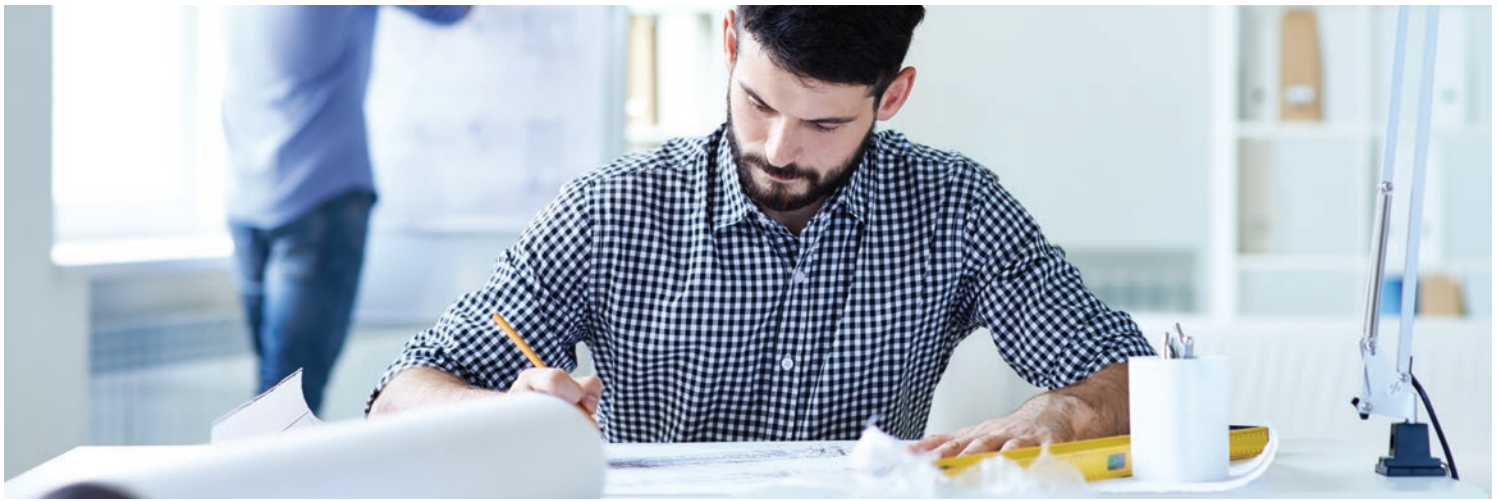


| GENERAL (CONTINUED)                      |  |
|--|--|
| Imaging technology                       | Electrophotography (LED) with Organic photoconductor (OPC); Océ Radiant Fusing technology with instant warm-up; Clean toner refill system; Virtually no ozone emission   |
| Fusing technology                        | Océ Radiant Fusing technology; instant warm-up   |
| Toner/type                               | Océ black toner: 450 grams per bottle  |
| Speed (print and copy)                   | Océ PlotWave 450 printer: 8 D-size/A1 per minute, 4 E-size/A0 per minute<br>Océ PlotWave 550 printer: 10 D-size/A1 per minute, 5 E-size/A0 per minute  |
| Resolution                               | 600 × 1200 dpi   |
| Minimum line width (ISO/IEC 13660:2001E) | 0.00236" (0.06 mm)   |
| 1:1 line accuracy                        | < 0.3 % (E-size)   |
| Main engine size (W×D×H)                 | Compact design: 60.1" × 31.6" × 58.9" (1,527 × 803 × 1,495 mm) including Top Delivery Tray   |
| Main engine weight (2 roll printer only) | 516 lb. (234 kg)   |
| MEDIA HANDLING                           |  |
| Media capacity                           | Two rolls (standard); option for four rolls; manual feed of cutsheet media   |
| Media cutting                            | Cutters included in the media drawer for fast media switching  |
| Maximum media capacity                   | Two rolls (650' L × 36" W): 3,900 ft <sup>2</sup> ; four rolls (650' L × 36" W): 7,800 ft <sup>2</sup>   |
| Media sizes                              | ARCH: B, C, D, E, E1, 30", 21", 15"<br>ANSI: B, C, D, E<br>ISO: A3, A2, A1, A0, B2, B1, B2_700, B1_700   |
| Media weight                             | Bond: 16 – 28 lb. (60 – 110 g/m <sup>2</sup> ); film: Polyester 3.5 mil  |
| Minimum roll width                       | 11" (279 mm)   |
| Maximum roll width                       | 36" (841 mm)   |
| Supported roll widths                    | 11", 12", 15", 17", 18", 21", 22", 24", 30", 34", 36" (297 mm, 420 mm, 500 mm, 594 mm, 700 mm, 707 mm, 841 mm)   |
| Minimum printed length                   | 11" (279 mm)   |
| Maximum printed length                   | 577' (176 m)   |
| Media type                               | Paper: Engineering bond, vellum, recycled bond, tinted bond, Xtreme 27# bond<br>Film: Polyester 3.5 mil  |
| Automatic media handling                 | <ul style="list-style-type: none"> <li>• Automatic media selection (based on drawing size and finishing)</li> <li>• Automatic optimization of media selection for productivity and media saving</li> <li>• Automatic rotation and alignment for folding</li> <li>• Automatic legend detection</li> </ul> |

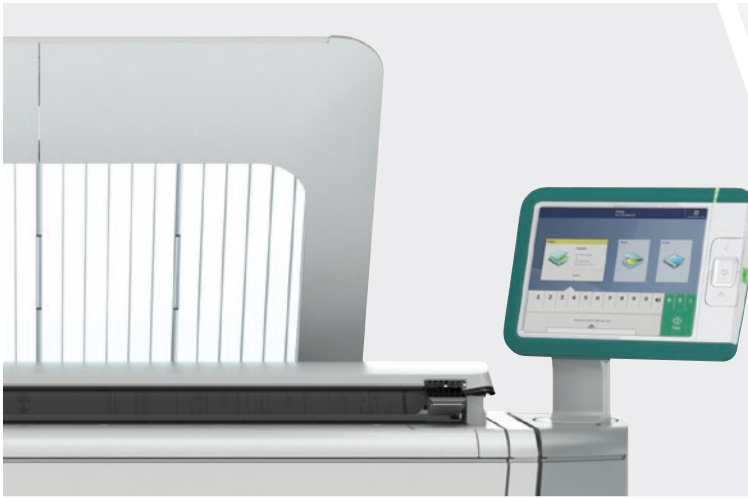


| USER INTERFACE            |  |
|---------------------------|--|
| Description               | Océ ClearConnect multi-touch user panel  |
| Size (W×D×H)              | 11.8" × 8.7" × 1.6" (300 × 220 × 40 mm); Touch screen: 10.4" (264 mm) color LCD (diagonal)   |
| Resolution                | 800 × 600 pixels   |
| Number of colors          | 16.2 million   |
| Technology                | Projective capacitive touch  |
| Operation                 | Three hard buttons: [Wake-up], [Stop/interrupt/abort], [Home]<br>Multi-touch functions: tap, double tap, pinch, two-finger pinch, swipe, flick, and spread   |
| Interface design          | Distinctive user interface with intuitive navigation and clearly defined levels of operation   |
| Features                  | View optimization: Tilt (-4 to +45 degrees) and swivel (-45 to +180 degrees)<br>Status light (red, orange, green); USB 2.0 interface with indication light   |
| CONTROLLER                |  |
| Description               | Océ POWERSync Controller with Windows 8 embedded, 64 bit   |
| Processor                 | Dual-Core G1620 @ 2.70 GHz   |
| Memory                    | 4 GB DDR3 (standard)   |
| Video                     | Intel® HD Graphics, 1 GHz  |
| Hard disk                 | 500 GB, 7200 rpm (standard)  |
| Interface                 | Ethernet 100 Mbits/s, 1 Gbit/s<br>TCP/IP: DHCP, IPv4, IPv6, HTTPS<br>Discovery: APIPA, WS-Discovery, SNMP  |
| Page description language | TIFF, JPEG, HPGL, HPGL2, DWF, C4, Calcomp 906/907/951, CALS, NIRS, NIFF, PS/PDF (optional)   |
| Printing protocol         | LPR, FTP, WebDav, WSD print  |
| Back channel protocol     | SNMP, Océ Wave interface, WS-Discovery   |
| Security                  | E-shredding, IPSec, IP filtering/Access Control Lists, HTTPS, audit logging, network protocol enable/disable, LDAP integration, Active Directory Integration (optional), user authentication on local ClearConnect user panel (LDAP/Active Directory credentials, smart card) for scan/copy/print, configure HTTPS Certificates, removable hard disk option, optional FIPS 140-2 Certified Trusted Platform Module (TPM) and BitLocker-based hard disk encryption, hard disk wipe (only with disk encryption), configurable CA certificate, disable network ports and protocols, security event logging, optional single sign-on (on device) |
| Cloud support             | Unlimited user- and/or administrator-authenticated cloud support via WebDav and/or third-party provider (e.g. Microsoft® SharePoint®, Dropbox®, Box.com, box.net, Google Drive®, Microsoft® OneDrive®, Amazon Cloud Drive®, Cloudsafe®, MyDisk®). The cloud user authentication can either be preconfigured by the administrator or done by the user at the time of accessing the specific cloud.  |
| Transformations           | Scaling (scale-to-fit page, reduce when image too large to avoid clipping or to custom factor, scale page size to standard size); Rotation; Shift (automatic or user-defined); Adding/removing trailing/leading edge; Mirror; Black intensity in poster mode; Print optimization (standard, lines/text, poster); Color Highlight and Dark Original; Area to erase (area of interest).  |





| SCANNER                                 |  |
|---|--|
| Description                             | Contact Image Sensor (CIS) Color scanner with Océ Image Logic technology   |
| Scan resolution                         | 600 × 600 dpi. Selectable Resolutions: 100, 200, 300, 400, or 600 dpi.   |
| Scan speed                              | Monochrome: Up to 47.9'/min (14.6 m/min)<br>Copying: Up to 31.8'/min (9.7 m/min)<br>Color: Up to 15.7'/min (4.8 m/min)   |
| Scan formats                            | TIFF, PDF, PDF/A, JPEG, CALS, multi-page PDF, multi-page PDF/A, and multi-page TIFF  |
| Scan templates                          | Virtually unlimited number (200) of scan templates to standardize common scan settings and destinations  |
| Scan destination                        | Local USB flash drive, FTP, SMB, Smart Inbox on Controller, Optional Local Home folder (LDAP), mobile device via Océ Mobile WebTools, WebDav Cloud   |
| Scan naming                             | Preset naming with auto-numbering for productive scanning or create file name on the ClearConnect user panel keyboard  |
| Original width                          | Minimum: 8.2" (208 mm), Maximum: 36" (914 mm)  |
| Original length                         | Minimum: 8.2" (208 mm), Maximum: 52.5' (16 m)  |
| Original thickness                      | Maximum 0.03" (0.8 mm), non-rigid documents  |
| Zoom (copy)                             | 1:1, Scale to media size, Scale to standard format, Custom: 10–1,000 %   |
| Original type presets                   | Lines and text draft, lines and text standard, folded lines and text, photo, colored original, artwork, map, dark original, blueprint  |
| Scanner dimensions (W×D×H)              | 43" × 12" × 5.5" (1,097 × 308 × 140 mm)  |
| Scanner weight                          | 55 lb. (25 kg)   |
| ENVIRONMENTAL                           |  |
| Sound power level                       | Standby and sleep modes: < 25 dB; Print mode: < 55 dB  |
| Ozone concentration                     | < 0.001 mg/m <sup>3</sup> , < 0.000473 PPM (0.05% of permitted limit value)  |
| Heat emission                           | Ready: 72 W, Active: 1.6 kW  |
| Power requirements                      | 90–240 V, 50–60 Hz   |
| Power consumption                       | Sleep: 1 W, Ready: 88 W, Active: 1.5 kW  |
| Safety/EMC marks & environmental labels | CE, TÜV GS, CETECOM, c-UL-US, ENERGY STAR 2.0, FEMP, Rohs, CCC, VCCC   |
| Recyclables                             | Printer: Made of steel and highly recyclable plastics, up to 95% of the engine can either be upcycled or recycled. Remaining 5% is non-toxic waste.<br>Toner: Bottles made of highly recyclable HDPE (High Density Polyethylene) |



**OCÉ CLEARCONNECT  
WORKFLOW SOFTWARE**

**Job submission**

Create, retrieve, and/or send jobs from drivers (Océ Wide Format Printer Driver 2 for Microsoft Windows, Océ PostScript 3 driver for Microsoft Windows or Apple OS), external locations (SMB, FTP, LPR, WebDav), Mobile devices via Océ Express WebTools and Océ Publisher Mobile, USB flash drive, Cloud services, and optional Home folder (LDAP).

1-click printing from USB, 1-click printing from last send jobs via Print SmartAccess on Océ ClearConnect user panel. The Smart Inbox on the Océ ClearConnect user panel enables job preview: swipe between your jobs for print selection and preview. Pan to view the image in detail (zoom).

With the template oriented Publisher Select 2 submitter for Microsoft Windows, multiple files are supported. Print multiple times and sort by page or set. Media saving automatically rotates print files to optimize media usage.

**Queue management**

Spool memory provides a queuing system for print and copy jobs. This allows multiple users to send print and copy jobs at the same time. Customize priority settings for copy and print jobs in the queue.

The job queue overview gives access to job names, owners, and status including required media. Jobs can be paused, deleted, and placed on top of the queue.

**Print management**

View counter history at preferred time periods, per job, or total overview.  
View, create, edit, and delete stamp templates.

Optional uniFLOW support; log in your personal uniFLOW Queue on the ClearConnect User interface. Supports manual authentication and card readers.

**Scan to file**

Océ Scanner Express offers full hybrid performance with its template-based scan-to-file functionality. Scan to file in three easy steps. Insert the original in the color scanner, select the template of your choice, and touch the scan button. Send files, via SMB, FTP, WebDAV, SNMP (optional) to various locations such as local drives, personal smart inboxes, personal home folder via active directory (optional), or the cloud application of your choice.

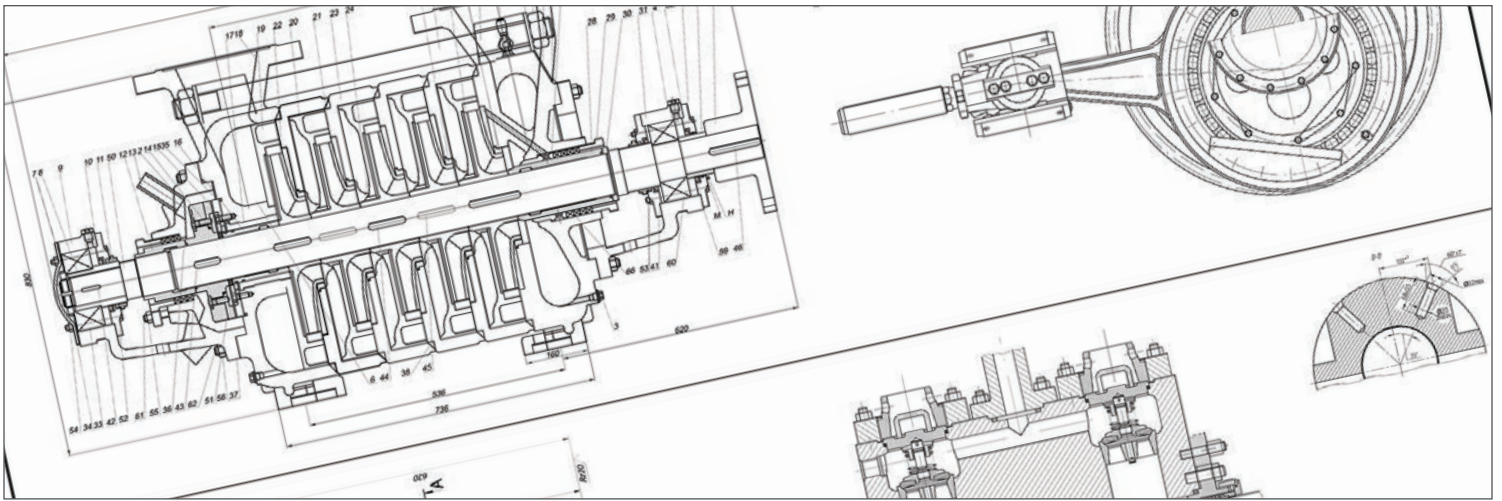
Scan to USB or use Océ Mobile WebTools and Océ Publisher Mobile to scan to mobile devices.

Custom scan file naming to any location. Check plot functionality.

Océ ClearConnect supports Live Preview during scanning on the user panel. Check and zoom in on details of your document thanks to the full preview functionality of the Océ ClearConnect user panel or remote on your PC.

**Scan to Canon color inkjet printer**

Scan directly to Canon imagePROGRAF® IPF 800 series via Océ Publisher Select 2.



## OCÉ CLEARCONNECT WORKFLOW SOFTWARE (CONTINUED)

### Océ ClearConnect multi-touch user interface

Océ ClearConnect enables a consistent view on your workflow from every possible angle, and job management is made easy. Default jobs can be performed by only clicking the green button (Océ SmartAccess for Print, Scan and Copy). Behavior is customizable via Océ Express WebTools. Edit the most commonly used job settings for copy, scan, and print jobs. Presets can be defined in Océ Express WebTools.

The Smart Inbox supports multi-user environments and 1-click printing via the Océ SmartAccess for all users.

Thanks to the virtually unlimited number of Scan Templates (up to 200), scanning is as easy as 1-2-3. Insert your original, select the template of your choice, and touch the Scan button for the best scan quality thanks to Océ Image Logic technology.

The Océ Express WebTools controller application supports customizable workflows. Separate work spaces give you a complete overview and full control over print and scan job management. Tasks you can manage are: Settings and configuration management, Network connectivity management, Queue management, License management, System monitoring, Scan retrieval, Print job submission. You can access the integrated Océ Express WebTools controller application from any networked workstation.

Job Queue view to check the status of your job in the print queue, available wherever you are with a single click.

The Océ ClearConnect interface includes context-sensitive online help. Switch between languages easily on the Océ ClearConnect user panel.

Use the Smart Inbox to view all jobs with status, job name, and owner. Actions to print, print all, edit, send to..., delete, and save. Custom sorting of jobs in list or group view.

What you see is what you print with Océ Wide-Format Printer Driver 2.

Open API for third party or own-developed applications integrated with the Océ ClearConnect user panel.

Configurable accounting.

### Mobile and Cloud

Print from and scan to the cloud of your choice. With the help of mobile applications such as Océ Mobile WebTools and Océ Publisher Mobile, the printer can be easily accessed and used from any location.

# WHY CANON SOLUTIONS AMERICA.

Canon Solutions America recommends forward-thinking strategies to achieve the highest levels of information management efficiency for your unique business needs. Using superior technology and innovative services, we then design, implement, and track solutions that improve information flow throughout your organization in environmentally conscious ways, resulting in greater productivity and reduced costs.

**There are many reasons why you should choose Canon Solutions America as your provider for document management solutions. Benefits include:**

- A Canon U.S.A. Company
- Business Services
- Professional Services
- Global Capabilities
- Certified Training and Support
- Flexible Finance Options
- Single-Source Solutions Provider
- Managed Document Services
- Nationwide Coverage
- Customized Industry Solutions
- Genuine Canon and Océ Parts and Supplies
- Diverse Range of Input-to-Output Technology

But that's not all. As a company that is dedicated to your needs, we support our solutions with highly skilled professionals and advanced diagnostic systems to maintain peak performance. And with ongoing consultation, we can further your document management capabilities to ensure the highest level of satisfaction and productivity.



The Canon logo is displayed in its signature red color.

CANON SOLUTIONS AMERICA

1-800-714-4427 | 1-630-250-6550

[us.info@csa.canon.com](mailto:us.info@csa.canon.com) [CSA.CANON.COM](http://CSA.CANON.COM)

Canon and Canon imagePROGRAF are registered trademarks of Canon Inc. in the United States and elsewhere. Océ, Océ Image Logic, Océ PlotWave, and Océ Repro Desk are registered trademarks of Océ-Technologies B.V. in the United States and elsewhere. Océ Publisher Select is a trademark of Océ-Technologies B.V. in the United States and elsewhere. All other referenced product names and marks are trademarks of their respective owners and are hereby acknowledged.

© 2016 Canon Solutions America, Inc. All rights reserved.