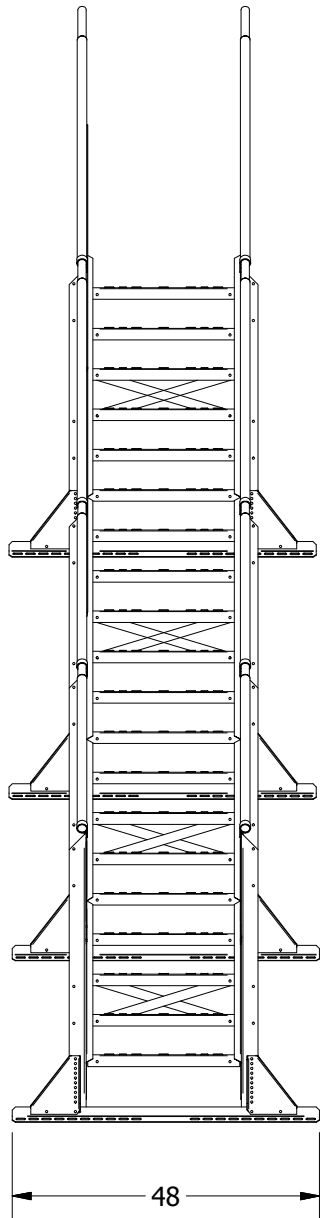
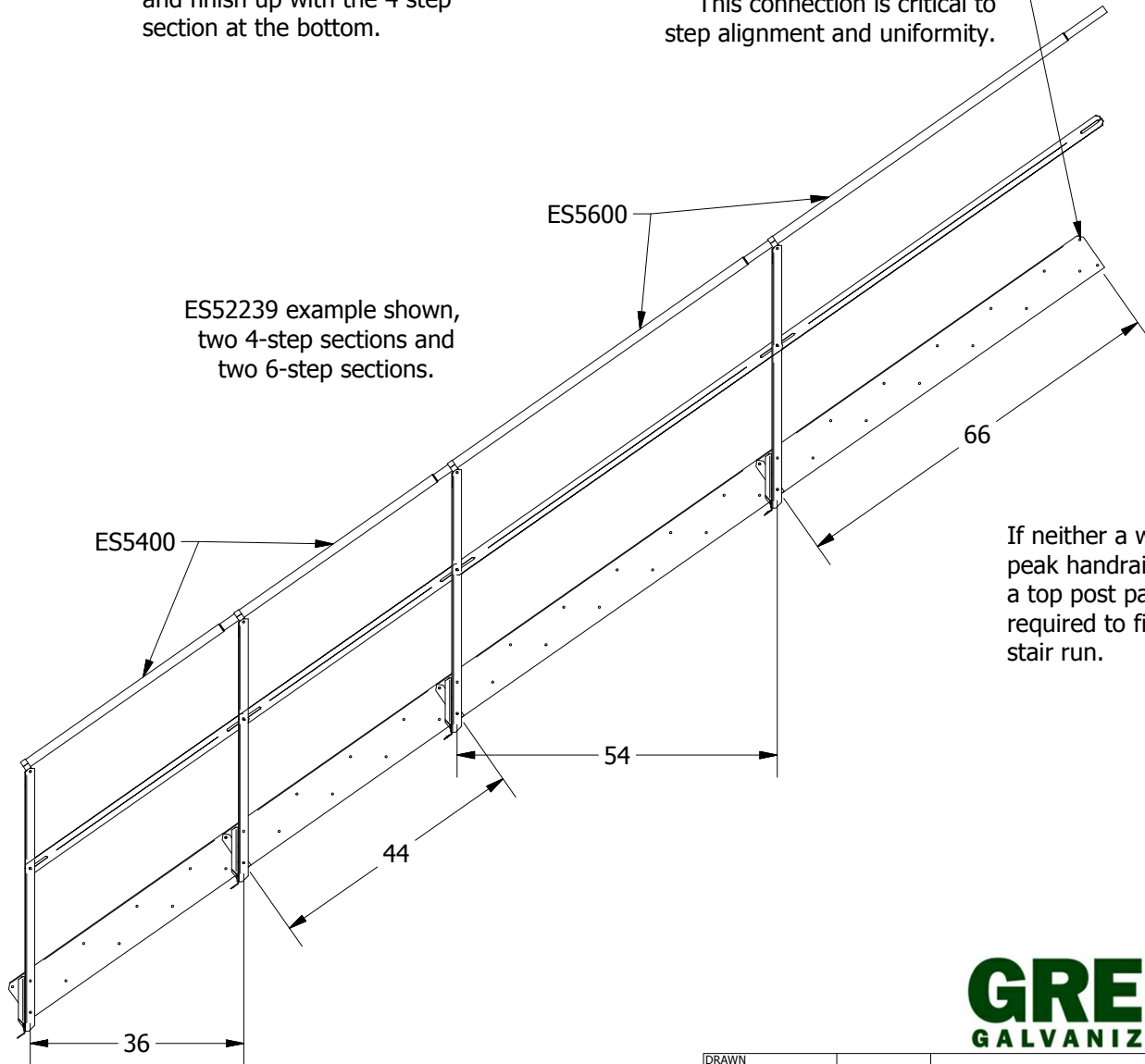


Starting from the top, use a 6 step sections first and finish up with the 4 step section at the bottom.

Top hole connects to the entry post on the walkaround or on a peak hand rail. This connection is critical to step alignment and uniformity.



ES52239 example shown, two 4-step sections and two 6-step sections.

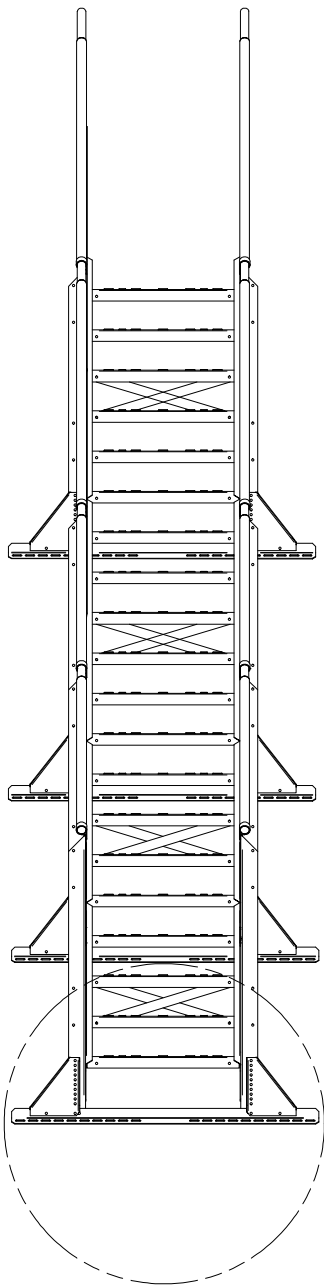


If neither a walkaround or peak handrail are used, then a top post package is required to finish out the stair run.

Posts are adjustable in height to allow for roof obstructions and variation in bin manufacturer roof pitch.

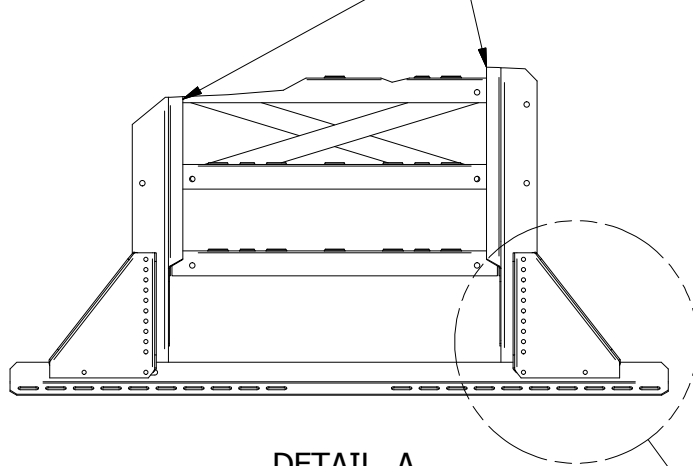


DRAWN Bill Huff	12/29/2016	Greene Galvanized Stairs	
CHECKED		TITLE	
QA		ES Roof Stair Instruction	
MFG		SIZE A	DWG NO IN-ES5001
APPROVED		SCALE	REV 1
		SHEET 1 OF 4	

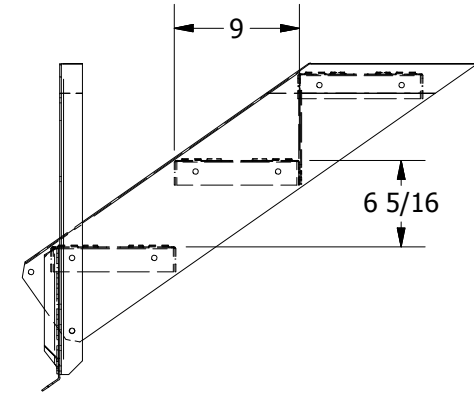
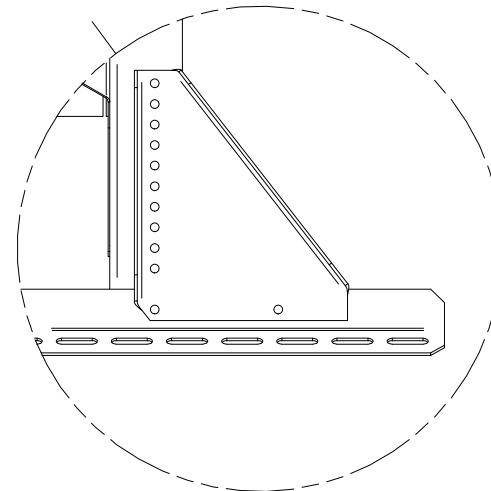


A

Note:
Siderail Flanges Must Be Facing Up



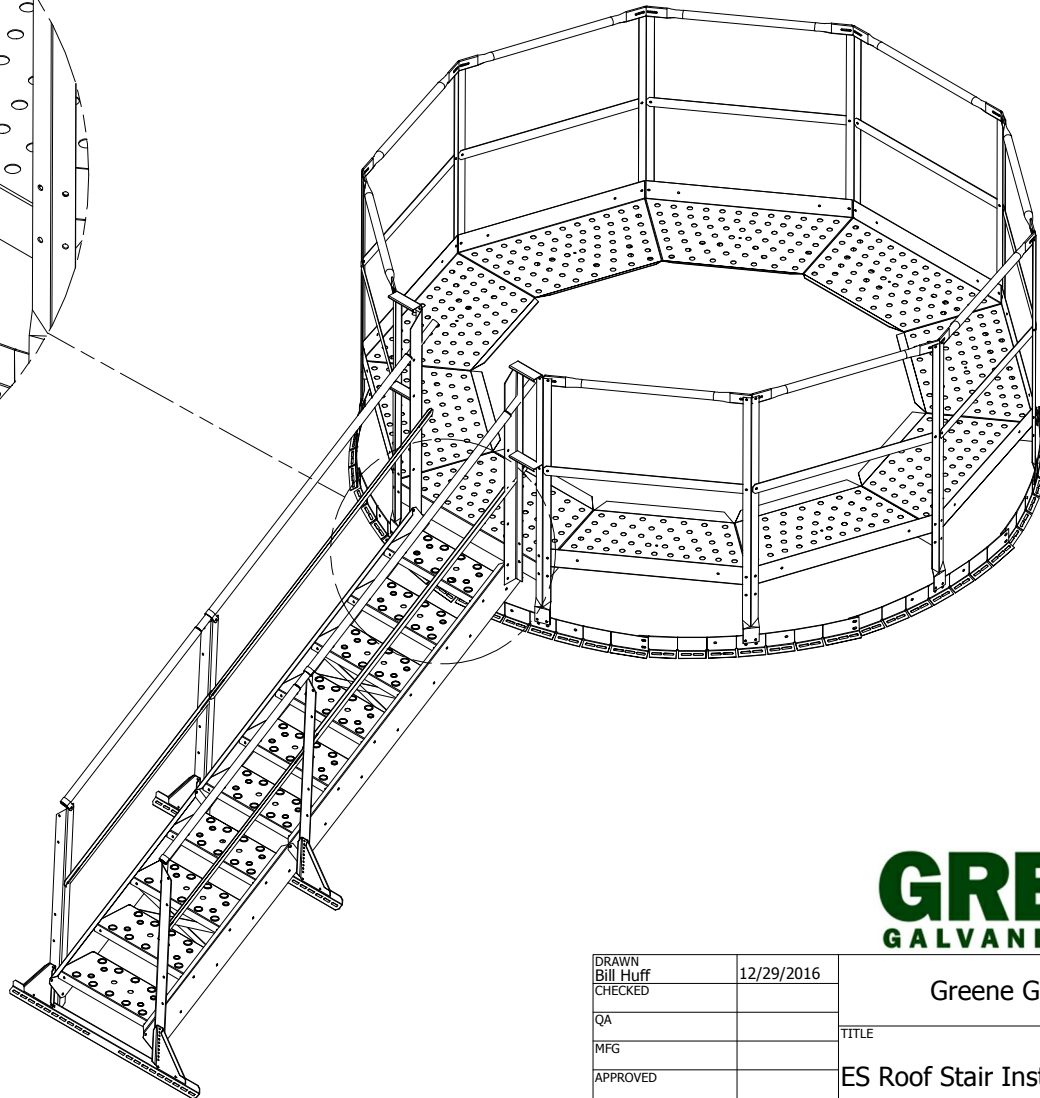
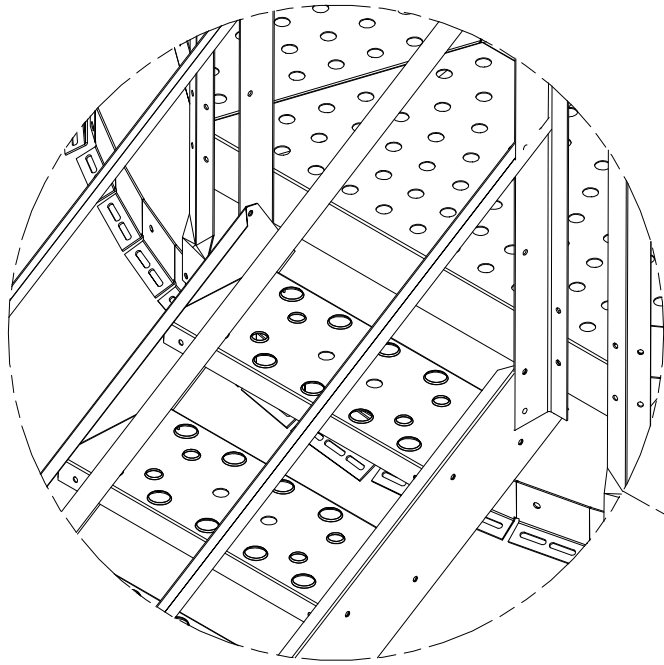
DETAIL A
Post / Brace / Mount Foot
Connection



DRAWN Bill Huff	12/29/2016	Greene Galvanized Stairs	
CHECKED		TITLE	
QA		ES Roof Stair Instruction	
MFG		SIZE A	DWG NO IN-ES5001
APPROVED		SCALE	REV 1
		SHEET 2 OF 4	

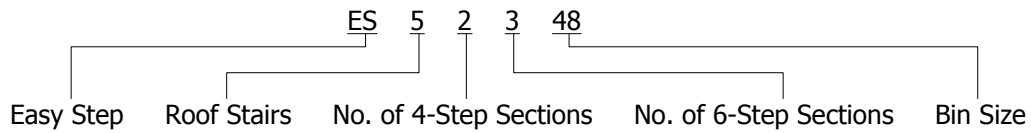
Top hole connection to the entry post on a walkaround or on a peak hand rail.

If neither a walkaround or peak handrail are used, then a top post package is required to finish out the stair run.



DRAWN Bill Huff	12/29/2016	Greene Galvanized Stairs	
CHECKED		TITLE	
QA		ES Roof Stair Instruction	
MFG		SIZE	DWG NO
APPROVED		A	IN-ES5001
		SCALE	REV 1
		SHEET 3 OF 4	

Part No. Code and Table



Item	Description	4-Step	6-Step	Ft of Run
ES51015	15' Easy Step Roof Stair (4 steps)	1	0	3.6
ES50118	18' Easy Step Roof Stair (6 steps)	0	1	5.5
ES52021	21' Easy Step Roof Stair (8 steps)	2	0	7.3
ES51124	24' Easy Step Roof Stair (10 steps)	1	1	9.1
ES53027	27' Easy Step Roof Stair (12 steps)	0	2	11.0
ES52130	30' Easy Step Roof Stair (14 steps)	2	1	12.8
ES51233	33' Easy Step Roof Stair (16 steps)	1	2	14.6
ES53136	36' Easy Step Roof Stair (18 steps)	3	1	16.4
ES52239	39' Easy Step Roof Stair (20 steps)	2	2	18.3
ES51342	42' Easy Step Roof Stair (22 steps)	1	3	20.1
ES53245	45' Easy Step Roof Stair (24 steps)	3	2	21.9
ES52348	48' Easy Step Roof Stair (26 steps)	2	3	23.8
ES51451	51' Easy Step Roof Stair (28 steps)	1	4	25.6
ES53354	54' Easy Step Roof Stair (30 steps)	0	5	27.5
ES52457	57' Easy Step Roof Stair (32 steps)	2	4	29.3
ES51560	60' Easy Step Roof Stair (34 steps)	1	5	31.1
ES53463	63' Easy Step Roof Stair (36 steps)	3	4	32.9
ES52566	66' Easy Step Roof Stair (38 steps)	2	5	34.8
ES51669	69' Easy Step Roof Stair (40 steps)	1	6	36.6
ES53572	72' Easy Step Roof Stair (42 steps)	0	7	38.5
ES52675	75' Easy Step Roof Stair (44 steps)	2	6	40.3
ES51778	78' Easy Step Roof Stair (46 steps)	1	7	42.1
ES53681	81' Easy Step Roof Stair (48 steps)	3	6	43.9
ES52784	84' Easy Step Roof Stair (50 steps)	2	7	45.8
ES51887	87' Easy Step Roof Stair (52 steps)	1	8	47.6
ES53790	90' Easy Step Roof Stair (54 steps)	0	9	49.5
ES52893	93' Easy Step Roof Stair (56 steps)	2	8	51.3
ES51996	96' Easy Step Roof Stair (58 steps)	1	9	53.1
ES53899	99' Easy Step Roof Stair (60 steps)	3	8	54.9
ES529102	102' Easy Step Roof Stair (62 steps)	2	9	56.8
ES5110105	105' Easy Step Roof Stair (64 steps)	1	10	58.6
ES539108	108' Easy Step Roof Stair (66 steps)	3	9	60.4
ES5210111	111' Easy Step Roof Stair (68 steps)	2	10	62.3
ES5111114	114' Easy Step Roof Stair (70 steps)	1	11	64.1
ES5310117	117' Easy Step Roof Stair (72 steps)	3	10	65.9
ES5211120	120' Easy Step Roof Stair (74 steps)	2	11	67.8
ES5112123	123' Easy Step Roof Stair (76 steps)	1	12	69.6
ES5311126	126' Easy Step Roof Stair (78 steps)	3	11	71.4
ES5212129	129' East Step Roof Stair (80 steps)	2	12	73.3
ES5113132	132' Easy Step Roof Stair (82 steps)	1	13	75.1
ES5312135	135' Easy Step Roof Stair (84 steps)	0	14	77.0
ES5213138	138' Easy Step Roof Stair (86 steps)	2	13	78.8
ES5114141	141' Easy Step Roof Stair (88 steps)	1	14	80.6
ES5313144	144' Easy Step Roof Stair (90 steps)	3	13	82.4
ES5214147	147' Easy Step Roof Stair (92 steps)	2	14	84.3
ES5115150	150' Easy Step Roof Stair (94 steps)	1	15	86.1
ES5314153	153' Easy Step Roof Stair (96 steps)	3	14	87.9
ES5215156	156' Easy Step Roof Stair (98 steps)	2	15	89.8
ES5116159	159' Easy Step Roof Stair (100 steps)	1	16	91.6



DRAWN Bill Huff	12/29/2016	Greene Galvanized Stairs		
CHECKED				
QA		TITLE		
MFG		ES Roof Stair Instruction		
APPROVED		SIZE	DWG NO	REV
		A	IN-ES5001	1
		SCALE	SHEET 4 OF 4	