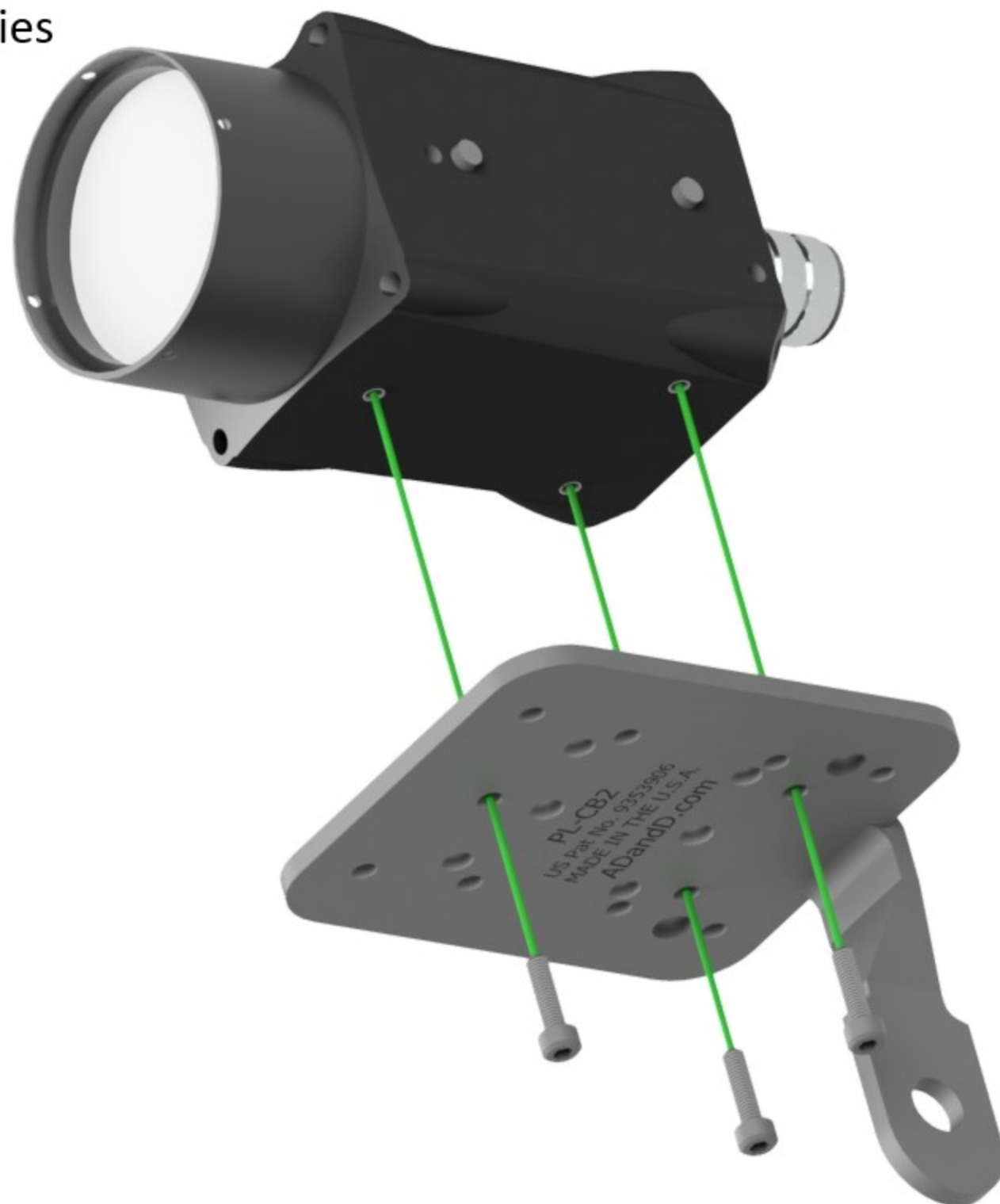


ADandD Pop-Link #PL-CB2

Mounting for Keyence SR-D100 Series



Included Hardware

(3) M3-.5 X 6mm Lg SHCS